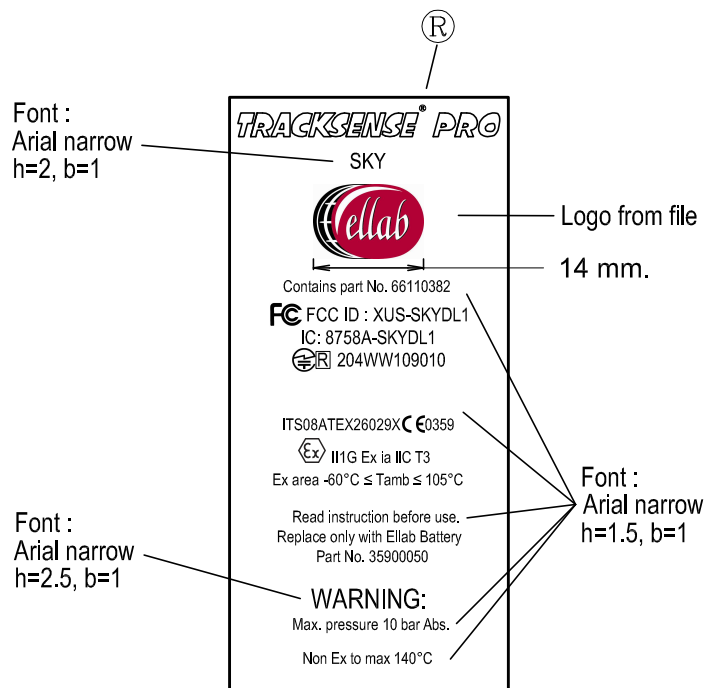
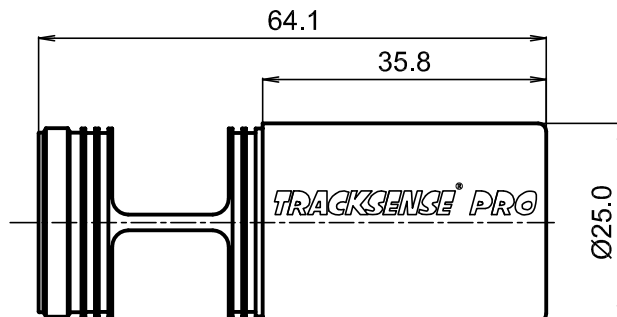


Draft



EDB NO. 98600057

MAT.:	TITLE: Laser engraving TS PRO 2 SKY Ex		
TREATMENT: Laser engraving Black	SCALE: 1 : 1	Ver. 5)	2009-11-30 JLA
	DATE/NAME: 2009-11-30 MN		NO. A4-7395K_Ex
ELLAB A/S			