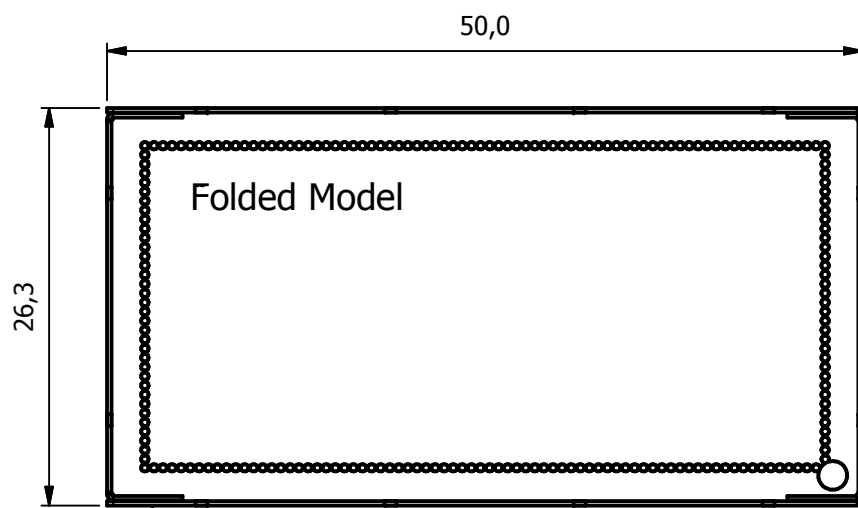
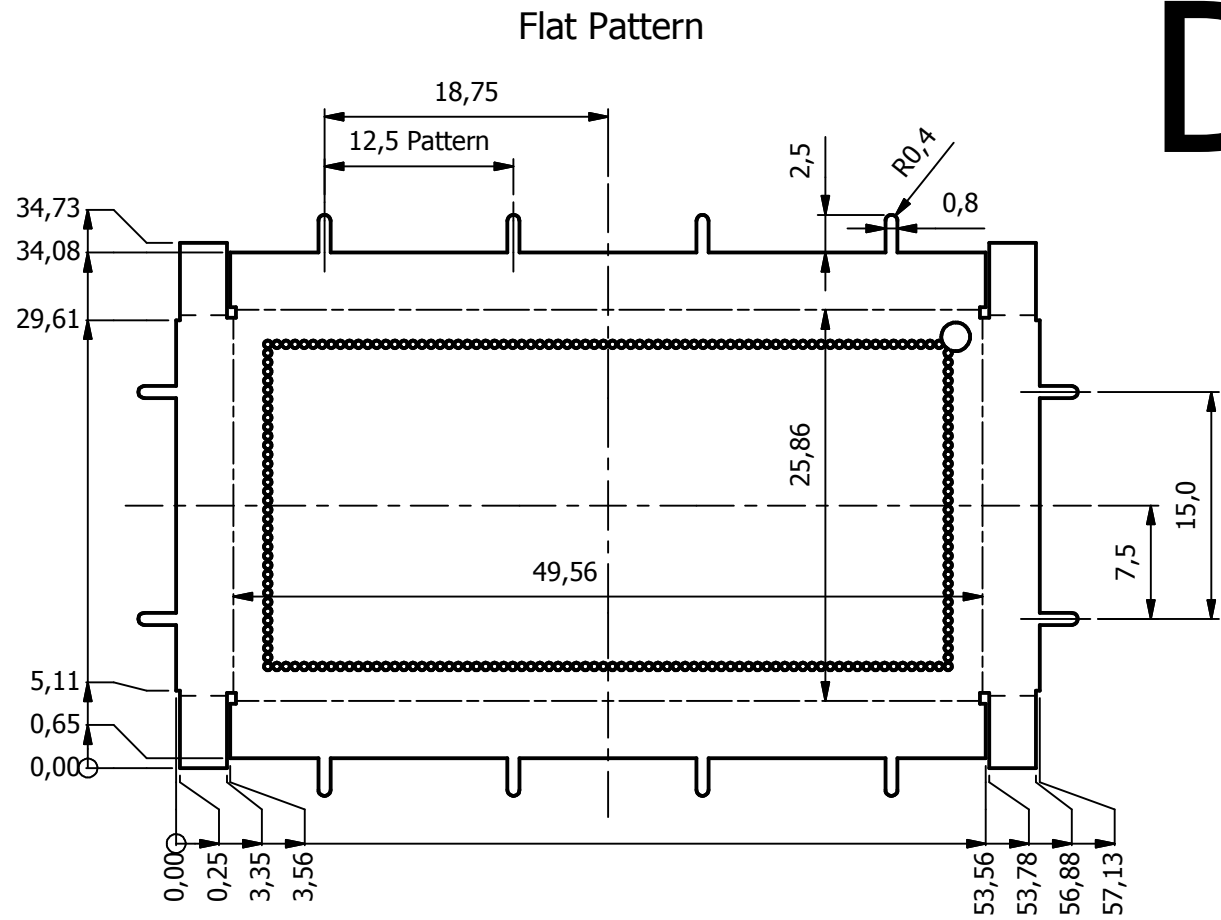
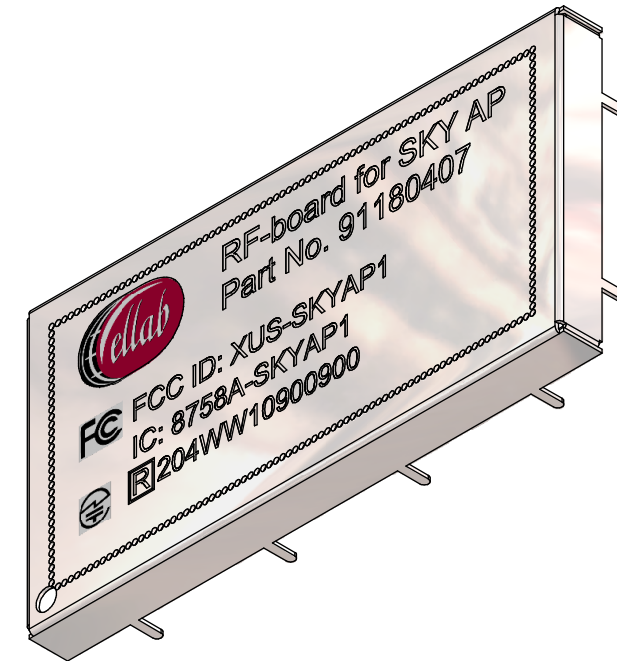
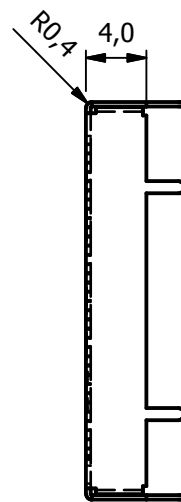


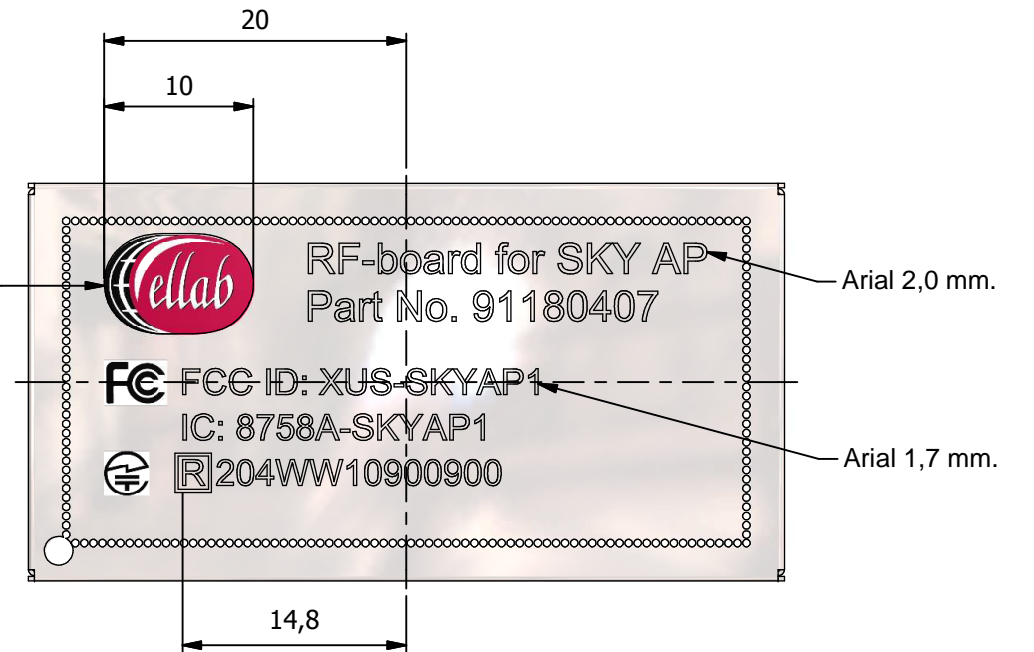
Draft




Box folded and spot welded in corners, lid must be perforated, so it can be accessed by service !



Logos from bmp files and Fonts etched into the box, all in shades of grey !



U.S. text version

Description / Material: 0,3 mm. Nickel Silver SKY BASE RF MODULE EMC BOX	Measures without tolerance ISO 2768-1: f	Surface, ISO 1302: Ra 1.6	EDB.no.: 66110368	
			Revision: 1.0	
 ELLAB A/S <small>Validation Solutions</small>	Scale: 2 : 1	Date:	Name:	
	Draw Date.: 2009-12-04	2009-11-30	jala	Draw Number: A3-8234A
	Approved.: 2009-11-30		MN	