

X431WireToolBOX\_V3  
X431WireToolBOX\_V3.32\_1.SCH

X431WireToolBOX\_V3  
X431WireToolBOX\_V3.32\_4.SCH

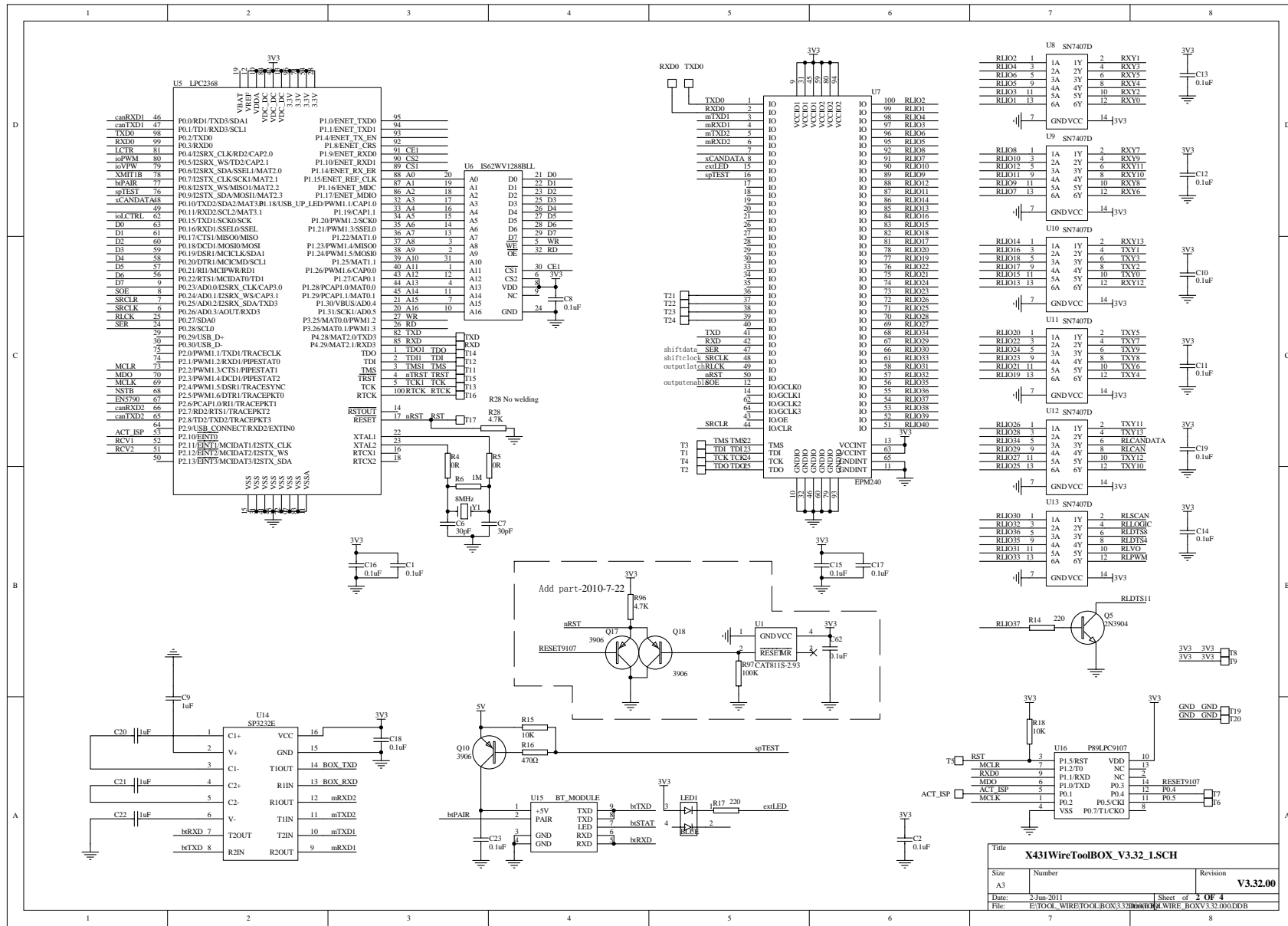
X431WireToolBOX\_V3  
X431WireToolBOX\_V3.32\_2.Sch

X431WireToolBOX\_V3  
X431WireToolBOX\_V3.32\_5.SCH

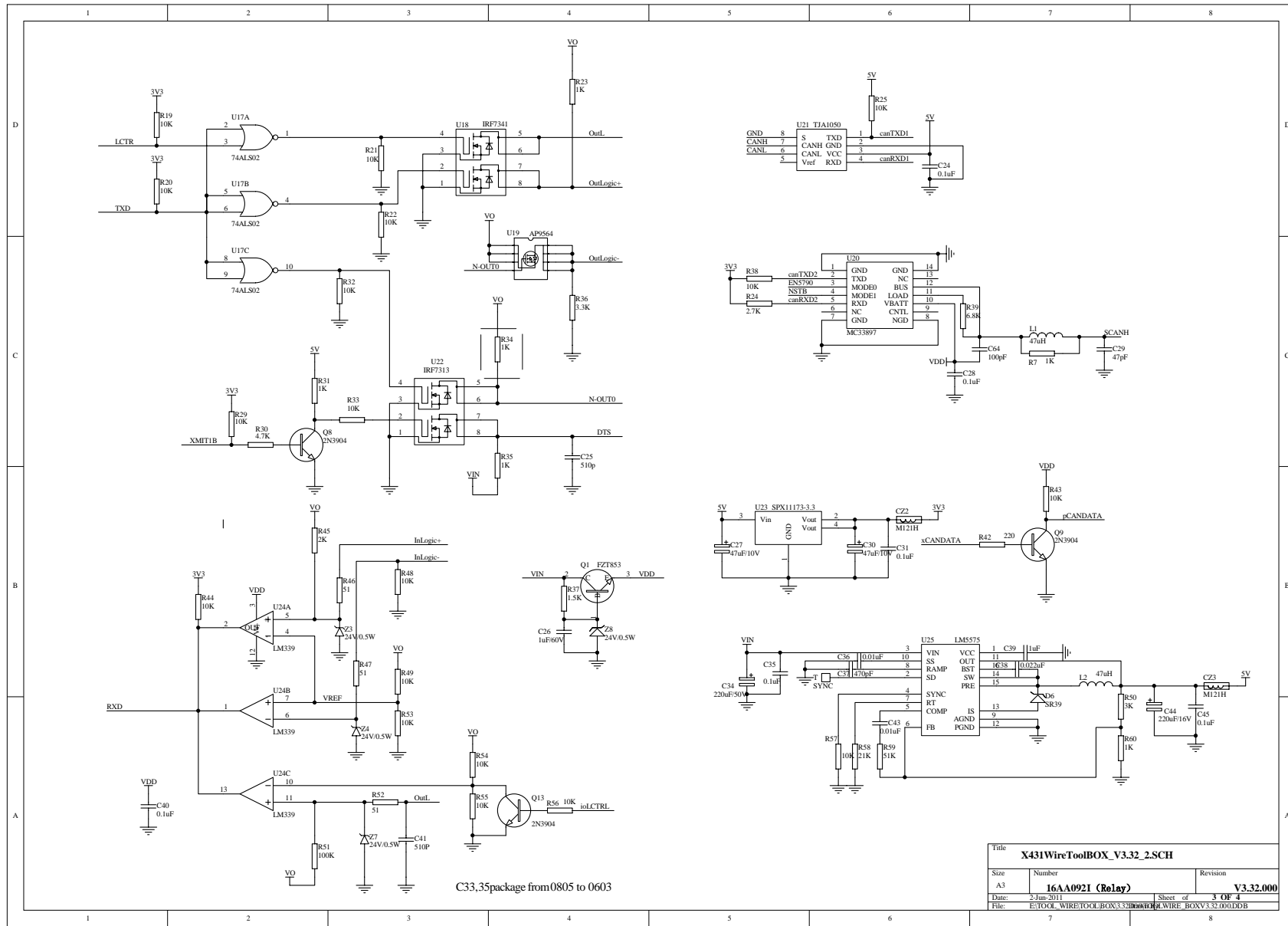
X431WireToolBOX\_V3  
X431WireToolBOX\_V3.32\_3.SCH

X431WireToolBOX\_V3  
X431WireToolBOX\_V3.32\_6.Sch

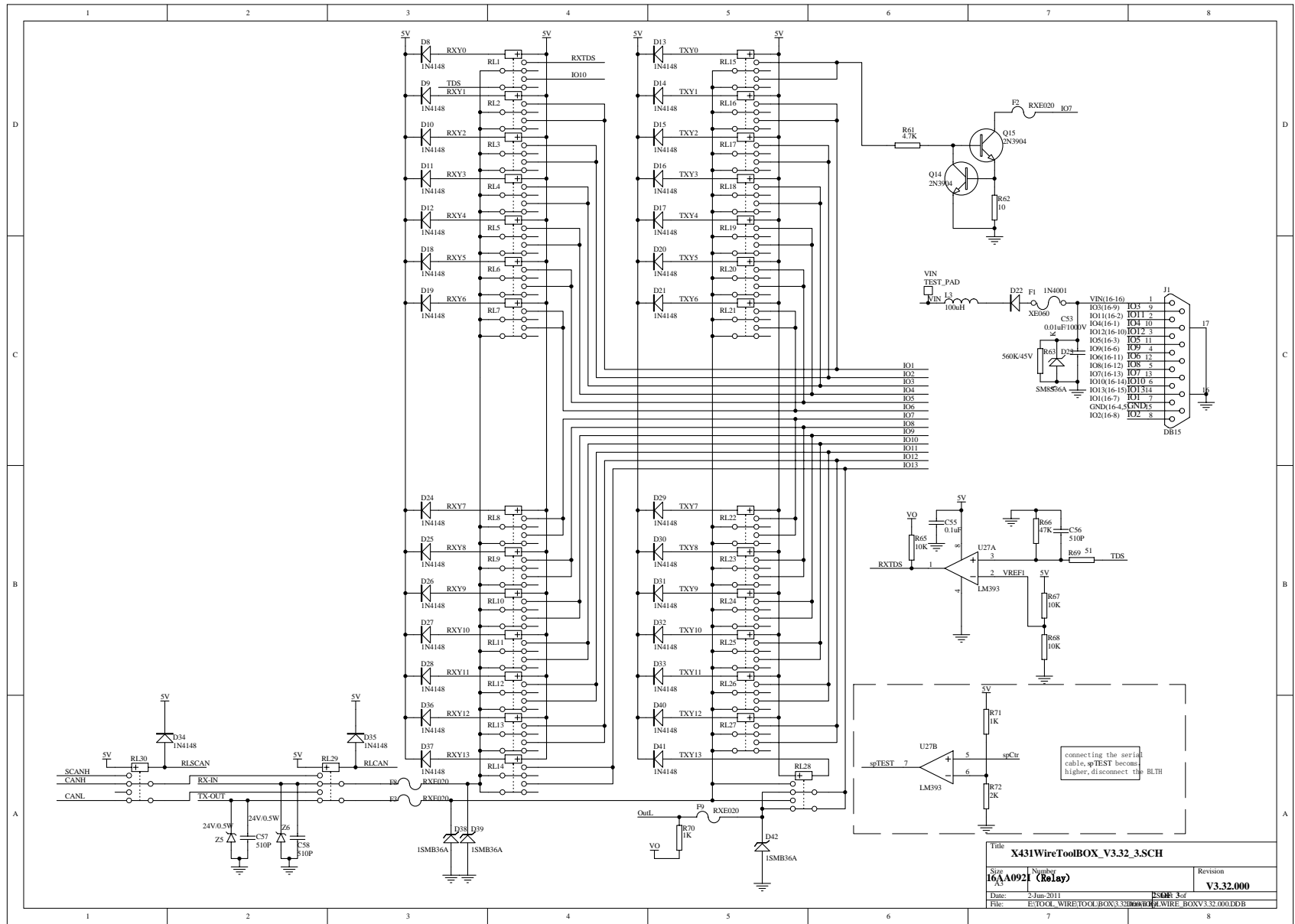
Title		
Size	Number	Revision
A3		
Date:	2-Jun-2011	Sheet of
File:	E:\TOOL_WIRE\TOOL\BOX\3.32\WIRE_BOXV3.32.000.DDB	



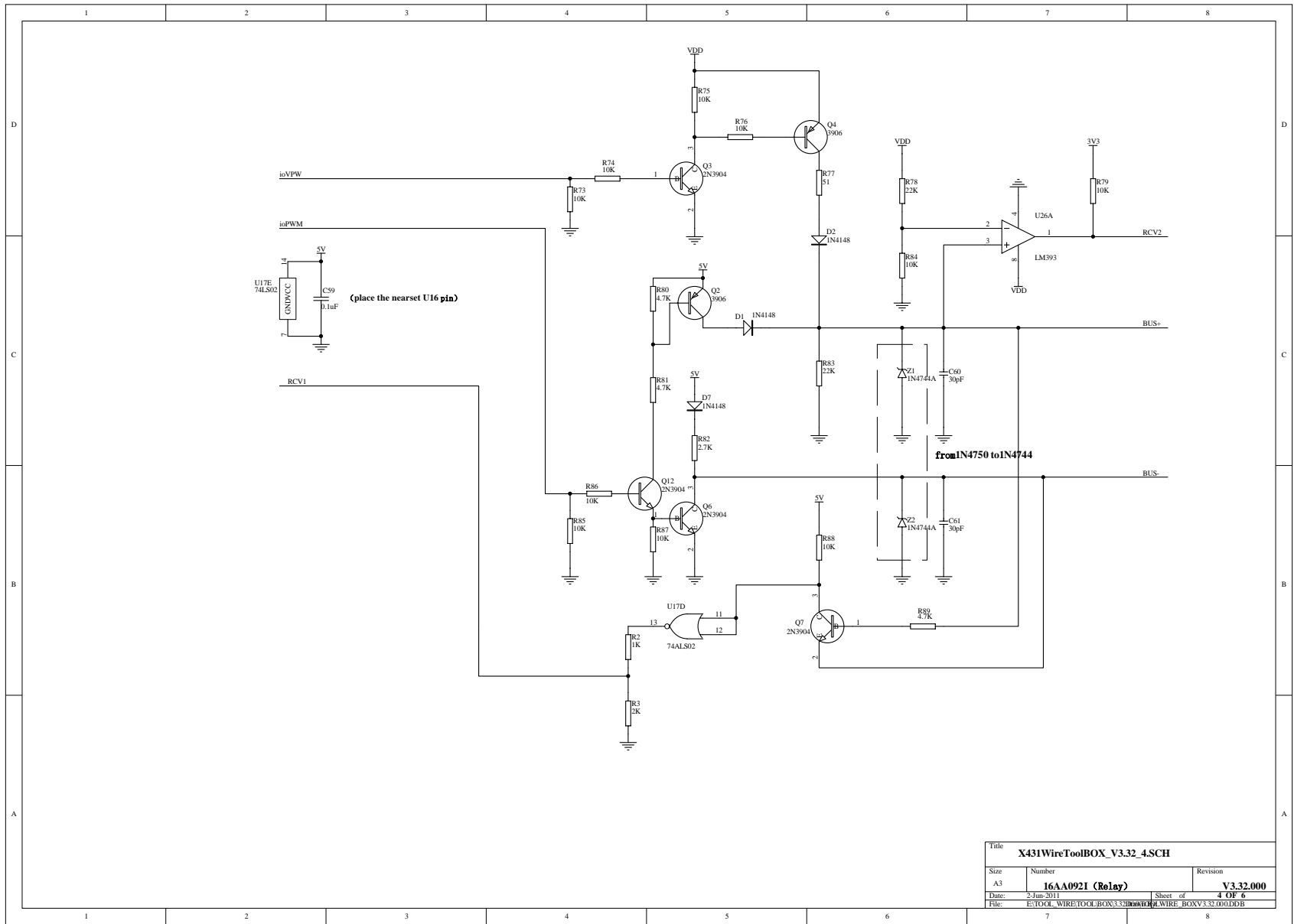
Title: X31WireToolBOX\_V3.32\_1.SCH  
 Size: A3  
 Number: 18  
 Revision: V3.32.00  
 Date: 2-Jun-2011  
 Sheet of 2 OF 4  
 File: E:\TOOL\_WIRE\TOOLBOX\3.32\WIRE\WIRE\_BOXV3.32.00.DDB



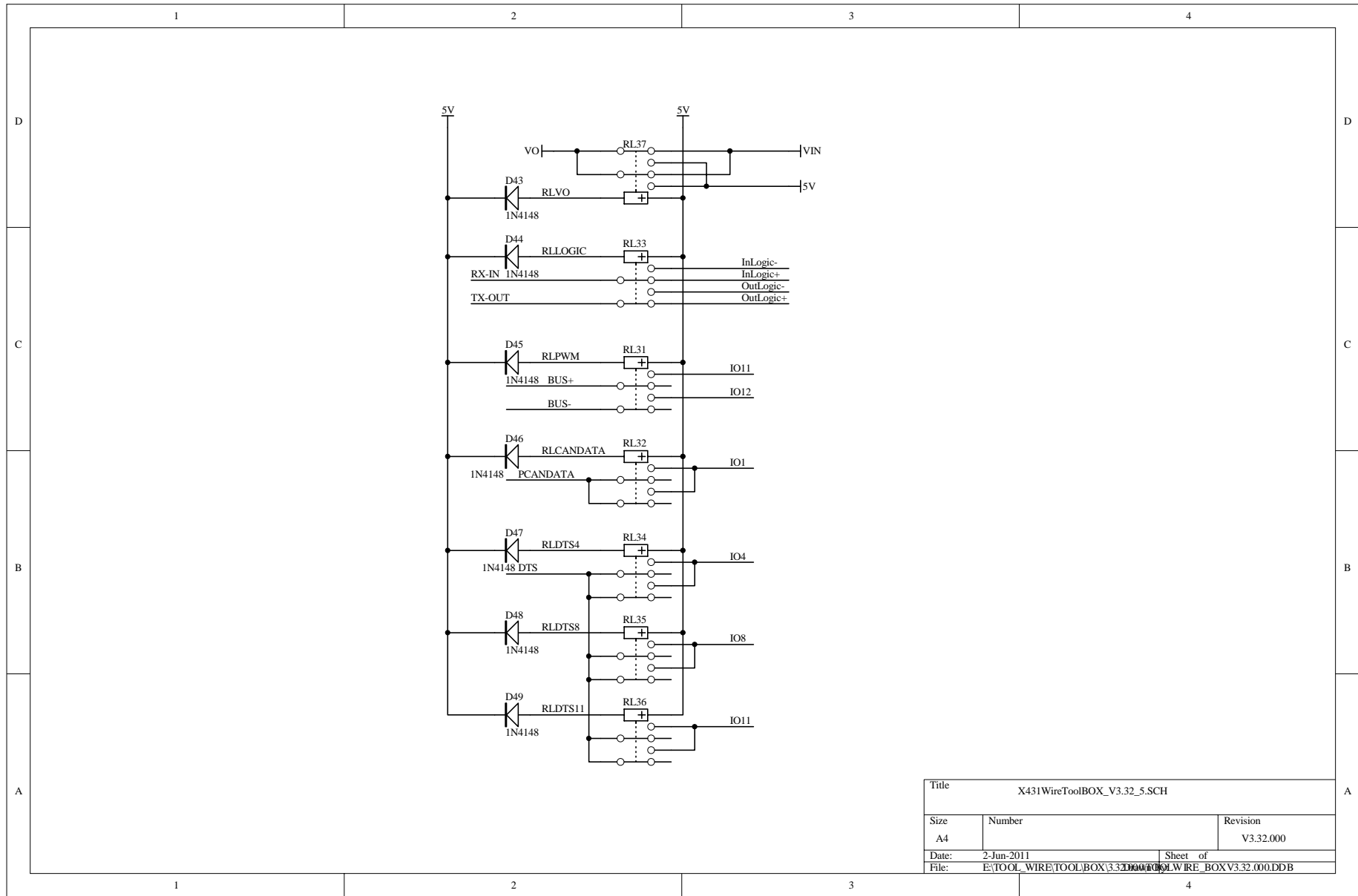
Title		
X431WireToolBOX_V3.32_2.SCH		
Size	Number	Revision
A3	16AA0921 (Relay)	V3.32.000
Date:	2-Jun-2011	Sheet of 3 OF 4
File: E:\TOOL_WIRE\TOOLBOX\3.32\WIRE_BOX_V3.32_00.DDB		



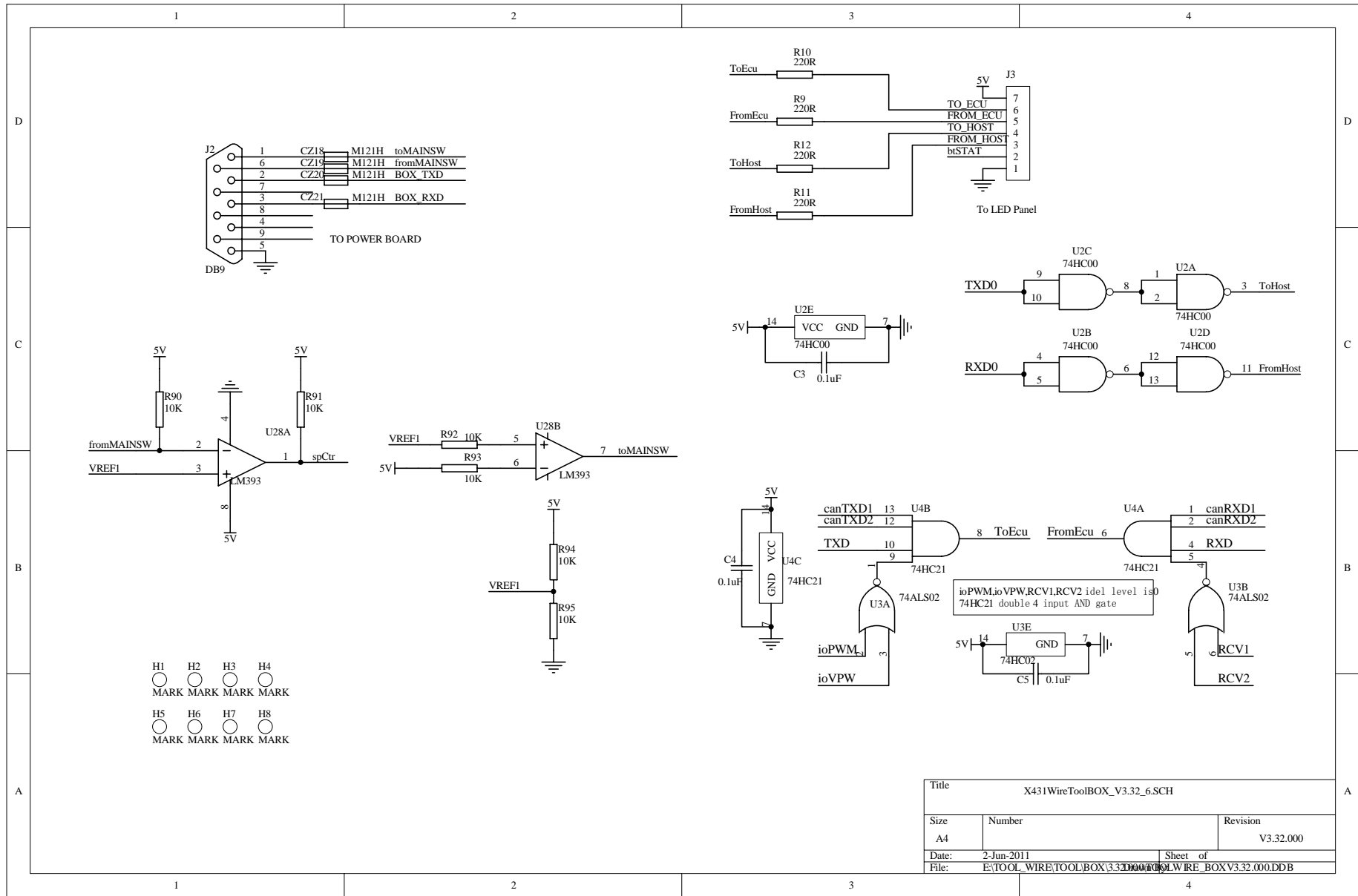
Title		X431WireToolBOX_V3.32_3.SCH	
Size	Number	Revision	
16x A0921 (Relay)	1	V3.32.000	
Date:	2-Jun-2011	Author:	JSCOR 3rd
File:	E:\TOOL_WIRE\TOOLBOX\3.32\WIRE\WIRE_BOX\3.32_000.DDB		



Title		
X431WireToolBOX_V3.32_4.SCH		
Size	Number	Revision
A3	16AA0921 (Relay)	V3.32.000
Date:	2-Jun-2011	Sheet of 4 OF 6
File:	E:\TOOL_WIRE\TOOLBOX\3.32\16AA0921\RELAY_WIRE_BOX\3.32.000.LDDB	



Title			X431WireToolBOX_V3.32_5.SCH		
Size	Number	Revision			
A4		V3.32.000			
Date:	2-Jun-2011	Sheet		of	
File:	E:\TOOL_WIRE\TOOLBOX_V3.32\TOOLBOX_V3.32.000.DDB				



Title			X431WireToolBOX_V3.32_6.SCH		
Size	Number		Revision		
A4			V3.32.000		
Date:	2-Jun-2011		Sheet of		
File:	E:\TOOL_WIRE\TOOLBOX\3.32\TOOL_WIRE_BOX_V3.32_00.DDB				