

X431TOOLV2
X431TOOLV2.01.000_01_PROCESSOR

- D[31:0]
- A[27:0]
- nCS0
- nMOE
- nMWE
- nPOR
- EXPRDY
- DD0
- DD1
- DD2
- DD3
- FRM
- CL1
- CL2
- M
- PB4_XEN
- PB5_YEN
- nADCCS
- ADCOUT
- ADCCLK
- ADCIN
- SDTX
- SCLK
- PD2_LCD_EN
- PE0_CODECDIS
- PE2_ADC_EN
- RTS
- nCS1
- EINT3
- nPOR
- TXD
- RXD
- CTS
- DSR
- TXD2
- RXD2
- nCS3
- PB6_KILL
- DCD
- CTS
- PB0_RI
- nRESET
- PD0_CFRST
- nEINT1
- PB2
- EP0_VEE
- EP1_VEE
- EP2_VEE
- EP3_VEE
- PA1_SPD
- nEINT2
- CS8900 RESET1
- nCS4
- nSCLK
- SDCKE
- SDQM2
- SDQM3
- nSDCS0
- PD3_SE
- PB7_BAT_LOW
- PG-USWU
- MEDCHG
- nCS5
- SDQM0
- SDQM1
- NSDRAS
- PD1_DL
- EP4_SPD2

X431TOOLV2
X431TOOLV2.01.000_02_MEMORY

- A[27:0]
- D[31:0]
- nCS0
- nMOE
- nMWE
- nPOR
- SDCLK
- SDCKE
- SDQM1
- SDQM0
- nSDCS0
- nSDRAS
- SDQM2
- SDQM3

X431TOOLV2
X431TOOLV2.01.000_03_SERIAL

- PA1_SPD
- PD3_SE
- DSR
- DCD
- RXD
- CTS
- PB0_RI
- TXD
- RTS

X431TOOLV2
X431TOOLV2.01.000_04_LCD

- M
- DD0
- DD1
- DD2
- DD3
- CL1
- CL2
- FRM
- PD2_LCD_EN
- EP0_VEE
- EP1_VEE
- EP2_VEE
- EP3_VEE
- TXL
- TXH
- TYH
- TYL
- PD1_DL

X431TOOLV2
X431TOOLV2.01.000_05_POWER

- PB7_BAT_LOW
- VDDA
- PG-USWU
- PB6_KILL
- nPOR
- TXD2
- RXD2
- EP4_SPD2
- 5V
- GND
- VDD
- MEDCHG

X431TOOLV2
X431TOOLV2.01.000_06_DIGITAL

- PE2_ADC_EN
- nADCCS
- ADCIN
- ADCCLK
- ADCOUT
- VDDA
- DCD
- PB4_XEN
- PB5_YEN
- TYH
- TXH
- TXL
- TYL

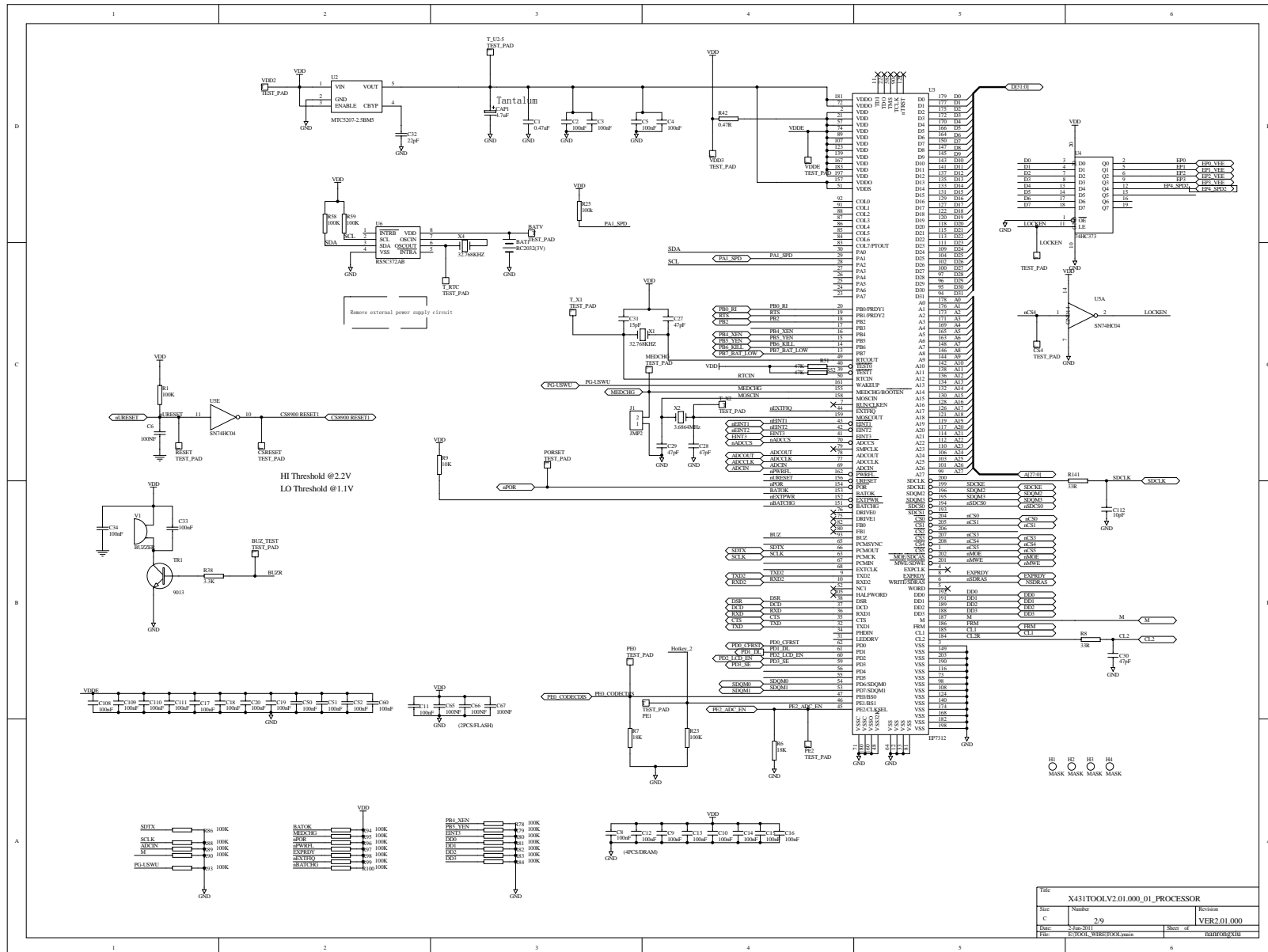
X431TOOLV2
X431TOOLV2.01.000_07_CFCARD

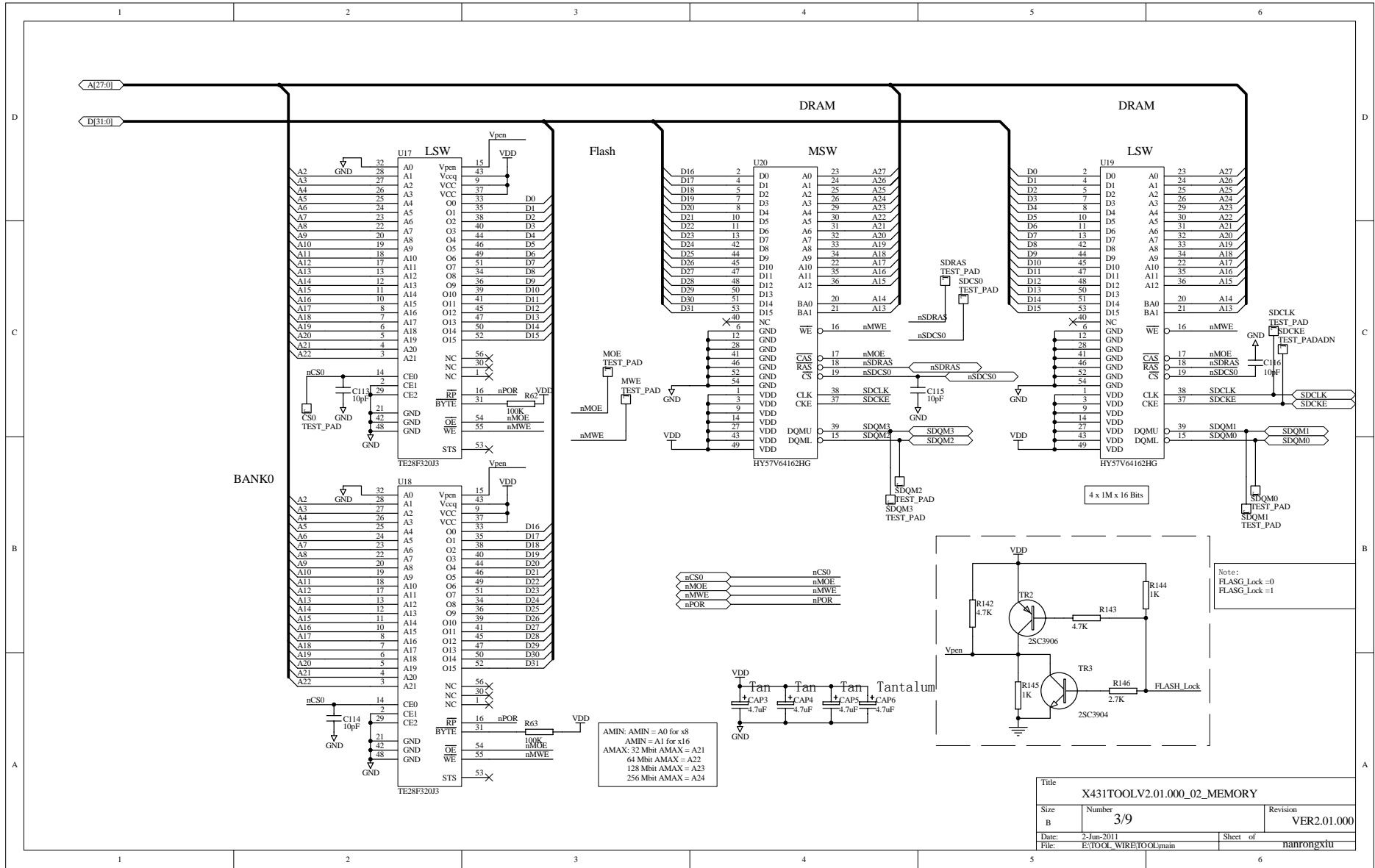
- D[31:0]
- nCS1
- nCS3
- nMOE
- nMWE
- A[27:0]
- PD0_CFRST
- nEINT1
- PB2

X431TOOLV2
X431TOOLV2.01.000_08_Parallel Port

- A[27:0]
- nMOE
- nMWE
- nCS5
- nRESET
- D[31:0]
- nEINT2

Title			X431TOOLPRJ		
Size	Number			Revision	V2.1
B				Sheet of	nanrongxu
Date:	2-Jun-2011			File:	E:\TOOL_WIRE\TOOLmain

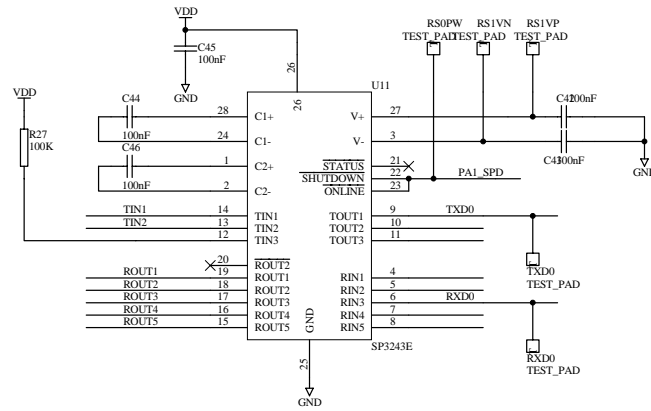
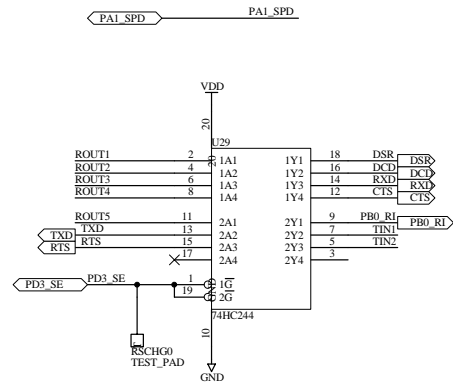




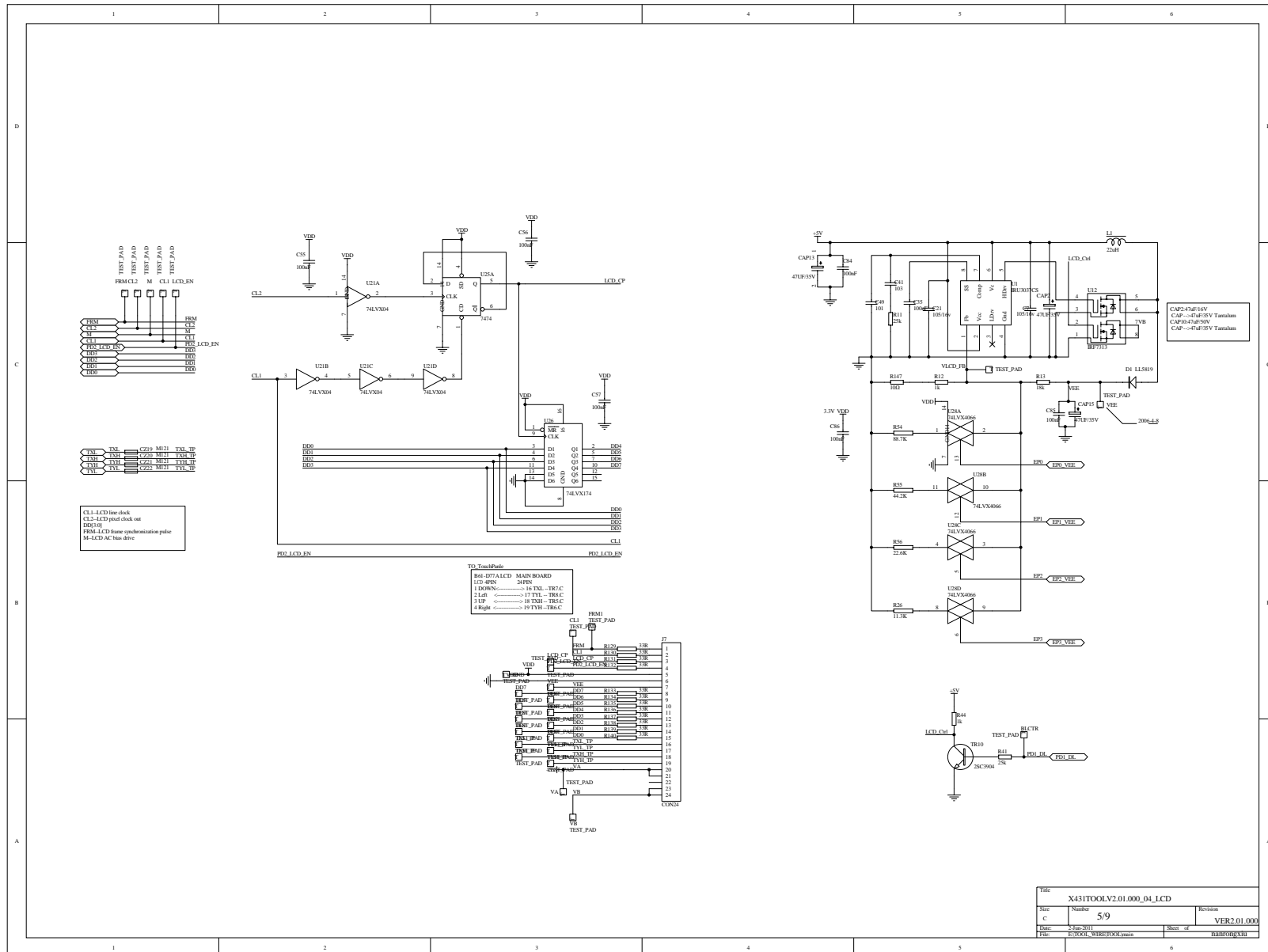
AMIN: AMIN = A0 for x8
 AMIN = A1 for x16
 AMAX: 32 Mbit AMAX = A21
 64 Mbit AMAX = A22
 128 Mbit AMAX = A23
 256 Mbit AMAX = A24

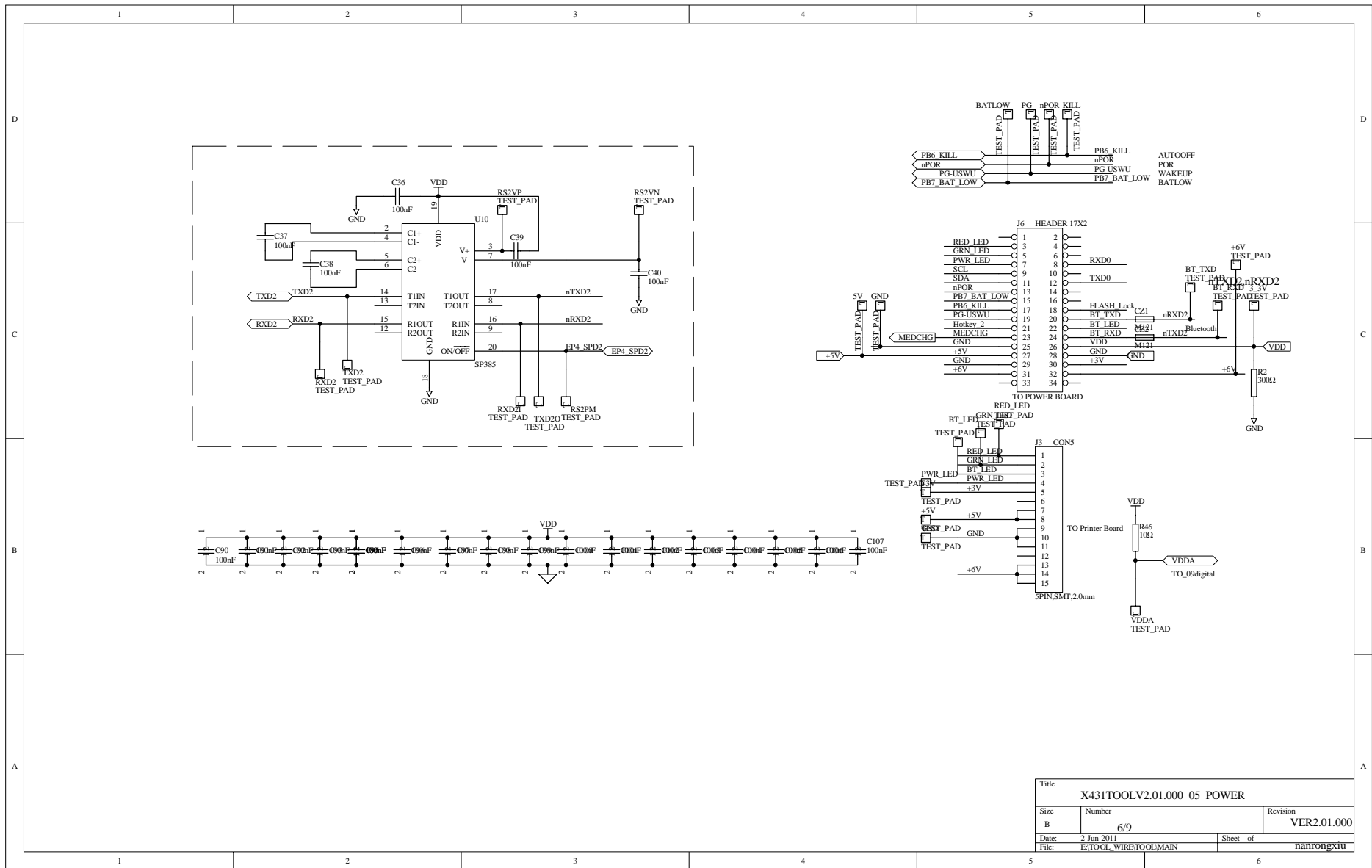
Note:
 FLAG_Lock = 0
 FLAG_Lock = 1

Title		
X431TOOLV2.01.000_02_MEMORY		
Size	Number	Revision
B	3/9	VER2.01.000
Date:	2-Jun-2011	Sheet of
File:	E:\TOOL_WIRE\TOOL\main	nanfongxtu

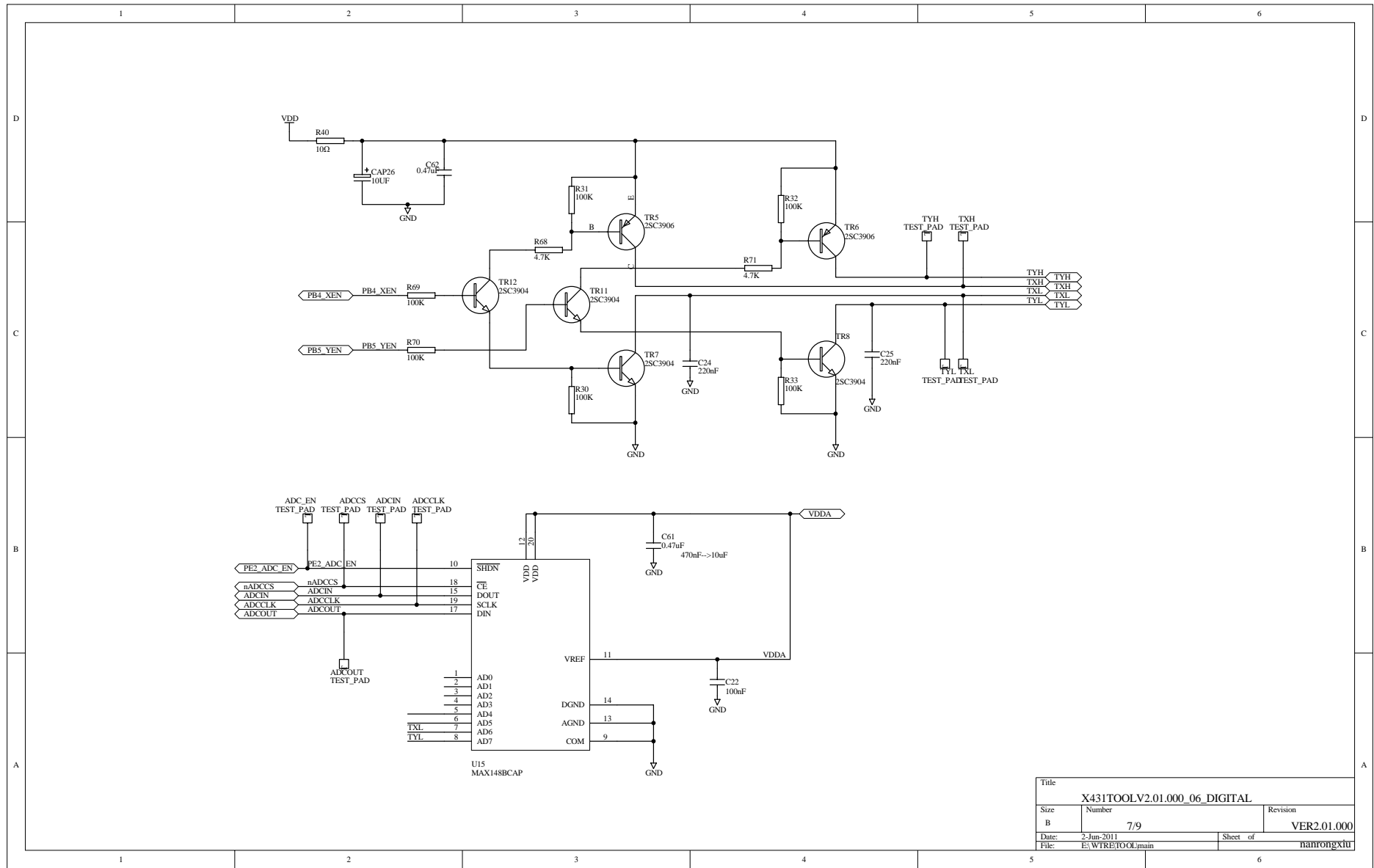


Title			X431TOOLV2.01.000_03_SERIAL		
Size	Number			Revision	
B	4/9			VER2.01.000	
Date:	2-Jun-2011	Sheet of			
File:	E:\TOOL_WIRE\TOOL\main			hamfongxlu	

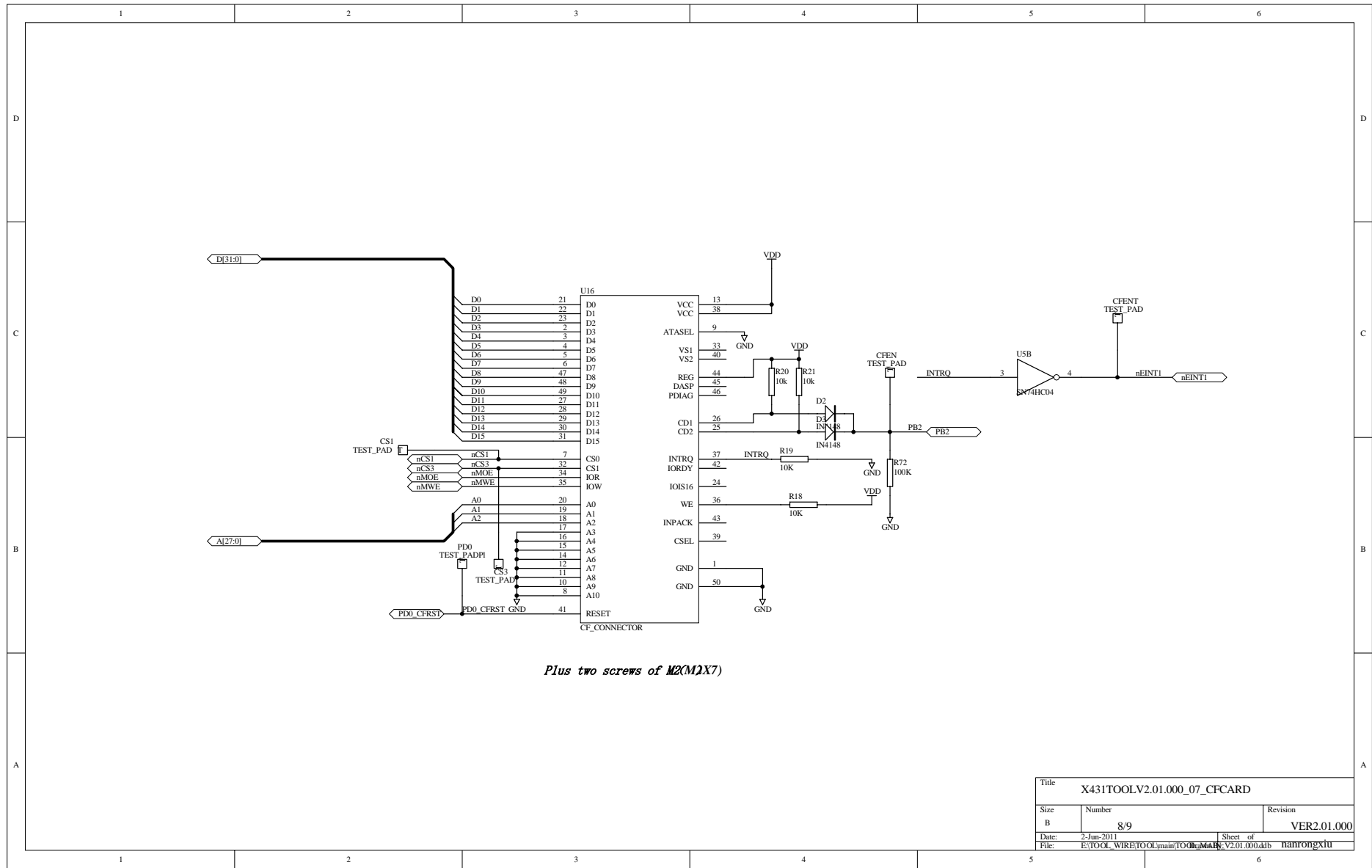


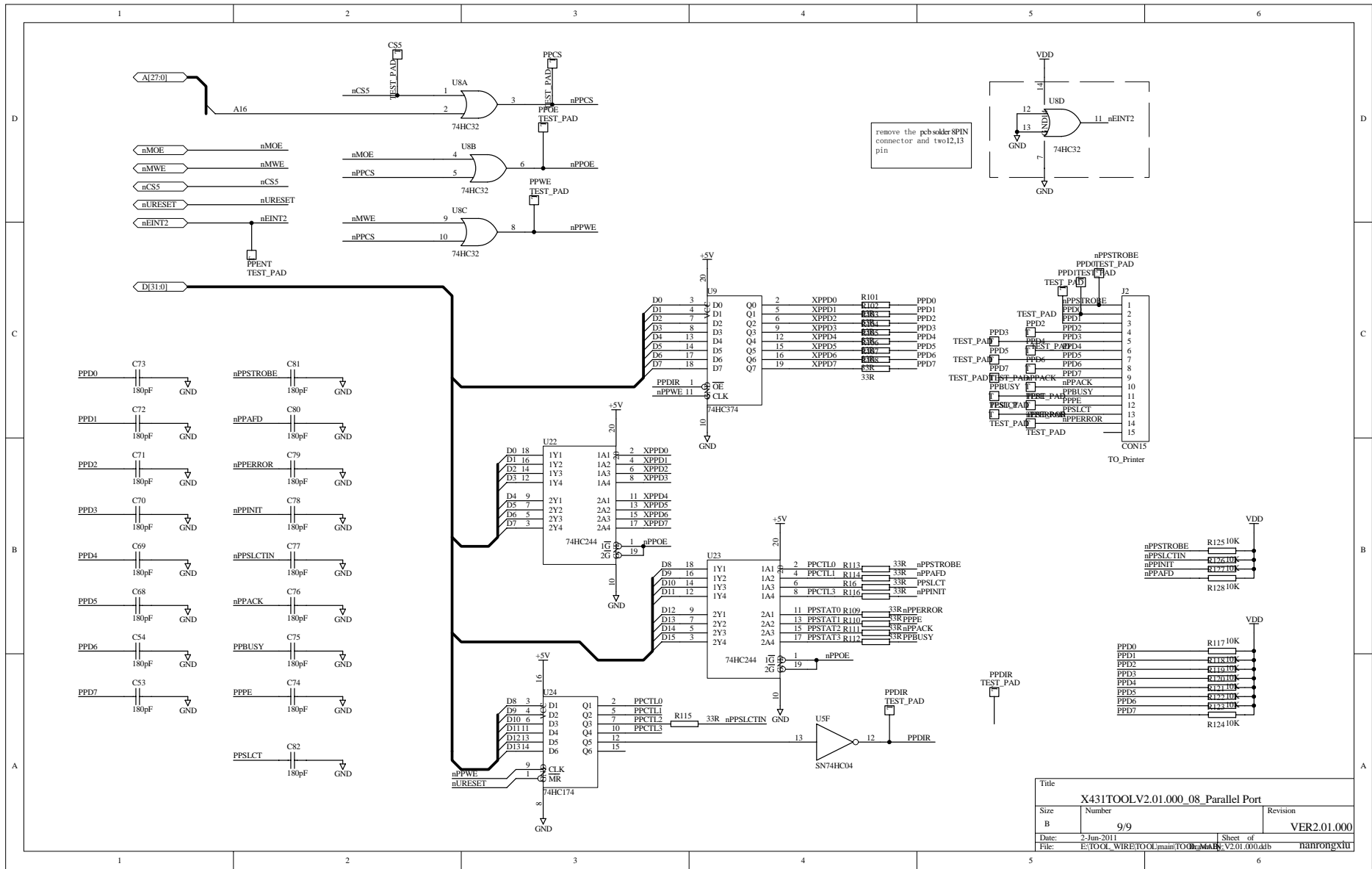


Title		
X431TOOLV2.01.000_05_POWER		
Size	Number	Revision
B	6/9	VER2.01.000
Date:	2-Jun-2011	Sheet of
File:	E:\TOOL_WIRE\TOOLMAIN	hamfongxlu



Title		
X431TOOLV2.01.000_06_DIGITAL		
Size	Number	Revision
B	7/9	VER2.01.000
Date:	2-Jun-2011	Sheet of
File:	E:\WIRE\TOOL\main	nanrongxht





Title		
X431TOOLV2.01.000_08 Parallel Port		
Size	Number	Revision
B	9/9	VER2.01.000
Date:	2-Jun-2011	Sheet of
File:	E:\TOOL_WIRE\TOOL\main\TOOL\MAIN_V2.01.000.ddb	nanrong.xjt