

FCC Part 15E Measurement and Test Report

For

Launch Tech Co., Ltd.

Launch Industrial Park, North of Wuhe Road, Banxuegang Industrial Zone,

Longgang District, Shen zhen City, Guangdong Province, China

FCC ID: XUJMAX3

FCC Rule(s):	<u>FCC Part 15E</u>
Product Description:	<u>Automotive intelligent diagnostic tools</u>
Tested Model:	<u>MAXIMUS 3.0</u>
Report No.:	<u>STR18078375I</u>
Sample Receipt Date:	<u>2018-08-01</u>
Tested Date:	<u>2018-08-01 to 2018-08-02</u>
Issued Date:	<u>2018-08-02</u>
Tested By:	<u>Jason Su / Engineer</u>
Reviewed By:	<u>Silin Chen / EMC Manager</u>
Approved & Authorized By:	<u>Jandy So / PSQ Manager</u>
Prepared By:	

Jason Su
Silin chen
Jandyso



Shenzhen SEM Test Technology Co., Ltd.

1/F, Building A, Hongwei Industrial Park, Liuxian 2nd Road,
Bao'an District, Shenzhen, P.R.C. (518101)

Tel.: +86-755-33663308 Fax.: +86-755-33663309 Website: www.semtest.com.cn

Note: This test report is limited to the above client company and the product model only. It may not be duplicated without prior permitted by Shenzhen SEM.Test Technology Co., Ltd.

TABLE OF CONTENTS

1. GENERAL INFORMATION.....	3
1.1 PRODUCT DESCRIPTION FOR EQUIPMENT UNDER TEST (EUT).....	3
1.2 TEST STANDARDS.....	4
1.3 TEST METHODOLOGY.....	4
1.4 EUT OPERATING DURING TEST.....	4
1.5 TEST FACILITY.....	4
1.6 EUT SETUP AND TEST MODE.....	5
1.8 TEST EQUIPMENT LIST AND DETAILS.....	6
2. SUMMARY OF TEST RESULTS.....	7
3.DYNAMIC FREQUENCY SELECTION (DFS).....	8
3.1 REQUIREMENT.....	8
3.2 RADAR TEST WAVEFORMS.....	9
3.3 CALIBRATION OF RADAR WAVEFORM.....	12
3.4 TEST PROCEDURE.....	15
3.5 TEST RESULTS.....	16
EXHIBIT 1 - TEST SETUP PHOTOGRAPHS.....	20


1. GENERAL INFORMATION

1.1 Product Description for Equipment Under Test (EUT)

Client Information

Applicant: Launch Tech Co., Ltd.
 Address of applicant: Launch Industrial Park, North of Wuhe Road, Banxuegang Industrial Zone, Longgang District, Shen zhen City,

Manufacturer: Launch Tech Co., Ltd.
 Address of manufacturer: Launch Industrial Park, North of Wuhe Road, Banxuegang Industrial Zone, Longgang District, Shen zhen City,

General Description of EUT	
Product Name:	Automotive intelligent diagnostic tools
Trade Name:	
Model No.:	MAXIMUS 3.0
Adding Model:	/
Rated Voltage:	DC5V/DC9V/DC12V
The EUT is only support slave without radar Detection function.	
<i>Note: The test data is gathered from a production sample provided by the manufacturer.</i>	

Technical Characteristics of EUT	
Support Standards:	802.11a, 802.11n(HT20/40) , 802.11ac-(HT20/40/80)
Frequency Range:	5150-5250MHz, 5250-5350MHz, 5470-5725MHz, 5725-5850MHz
RF Output Power:	11.82dBm(Conducted)
Type of Modulation:	BPSK, QPSK, 64-QAM,16-QAM, 256-QAM
Data Rate:	6-54Mbps, up to 150Mbps
Type of Antenna:	Integral
Antenna Gain:	6.4dBi
U-NII Antenna Assemblies:	<p>DFS Detection Threshold level :-64dBm; Antenna connector impedance: 50 Ω (Artificial welding standard test RF cable, loss of 0.5dB.); Antenna gain measurement verification for tested antenna: a, The gain of the antenna is measured by the antenna supplier of the customer into the antenna measurement laboratory. The test is a sample sending test and has certain error range. This report only refers to the maximum antenna gain value. b, This U-NII antenna is internal permanent antenna and</p>

	removable.
--	------------

1.2 Test Standards

The following report is prepared on behalf of the Launch Tech Co., Ltd. in accordance with FCC Part 15, Subpart E, and section 15.407 of the Federal Communication Commissions rules, and KDB 905462 D02 UNII DFS Compliance Procedures New Rules v02

The objective is to determine compliance with FCC Part 15, Subpart E, and 15.407 of the Federal Communication Commissions rules ,and KDB 905462 D02 UNII DFS Compliance Procedures New Rules v02

Maintenance of compliance is the responsibility of the manufacturer. Any modification of the product, which result in lowering the emission, should be checked to ensure compliance has been maintained.

1.3 Test Methodology

All measurements contained in this report were conducted with KDB 905462 D02 UNII DFS Compliance Procedures New Rules v02.

1.4 EUT Operating during test

EUT was programmed to be in continuously transmitting mode. During the test, EUT operation to normal function and programs under WIN XP were executed.

1.5 Test Facility

FCC – Registration No.: 125990

Shenzhen SEM Test Technology Co., Ltd. Laboratory has been recognized to perform compliance testing on equipment subject to the Commissions Declaration Of Conformity (DOC). The Designation Number is CN5010, and Test Firm Registration Number is 125990.

Industry Canada (IC) Registration No.: 11464A

The 3m Semi-anechoic chamber of Shenzhen SEM.Test Technology Co., Ltd. has been registered by Certification and Engineering Bureau of Industry Canada for radio equipment testing with Registration No.: 11464A.

1.6 EUT Setup and Test Mode

The EUT in this application is a client device without radar detection capability and indicate the FCC identifier for the Master U-NII Device .During the test, the product works on the designated test channel and transmits normal data to the master.

Messages for communication between Master and Client Devices: 0101010101.....(Continuous cycle.)

The type of system architecture for the device in this application is IP based.,

more detailed description as follows:

Test Mode List		
Test Mode	Description	Remark
TM1	802.11a	5230MHz,5270MHz,5510MHz,
TM2	802.11n-HT(40)	
TM3	802.11ac-HT(80)	
Note: All test modes (different data rate and different modulation) are performed, but only the worst case is recorded in this report.		

EUT Cable List and Details			
Cable Description	Length (m)	Shielded/Unshielded	With / Without Core
/	/	/	/

Special Cable List and Details			
Cable Description	Length (m)	Shielded/Unshielded	With / Without Ferrite
/	/	/	/

Auxiliary Equipment List and Details			
Description	Manufacturer	Model	FCCID
WIFI AP/Router	Aerohive	AP230	FCCID: WBV-AP230

1.8 Test Equipment List and Details

No.	Description	Manufacturer	Model	Serial No.	Cal Date	Due Date
SEMT-1072	Spectrum Analyzer	Agilent	E4407B	MY41440400	2018-05-22	2019-05-21
SEMT-1002	Pulse Limiter	Rohde & Schwarz	ESH3-Z2	100911	2018-05-22	2019-05-21
SEMT-1163	Spectrum Analyzer	Rohde & Schwarz	FSP40	100612	2018-05-22	2019-05-21
SEMT-1081	Vector Signal Generator	Agilent	N5182A	MY47070202	2018-05-22	2019-05-21
SEMT-1096	Power Sensor	Agilent	U2021XA	MY54250019	2018-05-22	2019-05-21
SEMT-1097	Power Sensor	Agilent	U2021XA	MY54250021	2018-05-22	2019-05-21
SEMT-1098	Simultaneous Sampling	Agilent	U2531A	TW54243509	2018-05-22	2019-05-21

2. SUMMARY OF TEST RESULTS

FCC Rules	Description of Test Item	Result
§ 15.407(h)	Dynamic Frequency Selection (DFS)	Pass

N/A: not applicable

3.Dynamic Frequency Selection (DFS)

3.1 Requirement

Table 1: Applicability of DFS Requirements Prior to Use of a Channel

Requirement	Operational Mode		
	Master	Client Without Radar Detection	Client With Radar Detection
Non-Occupancy Period	Yes	Not required	Yes
DFS Detection Threshold	Yes	Not required	Yes
Channel Availability Check Time	Yes	Not required	Not required
U-NII Detection Bandwidth	Yes	Not required	Yes

Table 2: Applicability of DFS requirements during normal operation

Requirement	Operational Mode	
	Master Device or Client with Radar Detection	Client Without Radar Detection
DFS Detection Threshold	Yes	Not required
Channel Closing Transmission Time	Yes	Yes
Channel Move Time	Yes	Yes
U-NII Detection Bandwidth	Yes	Not required

Additional requirements for devices with multiple bandwidth modes	Master Device or Client with Radar Detection	Client Without Radar Detection
U-NII Detection Bandwidth and Statistical Performance Check	All BW modes must be tested	Not required
Channel Move Time and Channel Closing Transmission Time	Test using widest BW mode available	Test using the widest BW mode available for the link
All other tests	Any single BW mode	Not required

Note: Frequencies selected for statistical performance check (Section 7.8.4) should include several frequencies within the radar detection bandwidth and frequencies near the edge of the radar detection bandwidth. For 802.11 devices it is suggested to select frequencies in each of the bonded 20 MHz channels and the channel center frequency.

LIMIT

1. DFS Detection Thresholds

Table 3: DFS Detection Thresholds for Master Devices and Client Devices With Radar Detection

Maximum Transmit Power	Value (See Notes 1, 2, and 3)
EIRP \geq 200 milliwatt	-64 dBm
EIRP < 200 milliwatt and power spectral density < 10 dBm/MHz	-62 dBm
EIRP < 200 milliwatt that do not meet the power spectral density requirement	-64 dBm

Note 1: This is the level at the input of the receiver assuming a 0 dBi receive antenna.

Note 2: Throughout these test procedures an additional 1 dB has been added to the amplitude of the test transmission waveforms to account for variations in measurement equipment. This will ensure that the test signal is at or above the detection threshold level to trigger a DFS response.

Note3: EIRP is based on the highest antenna gain. For MIMO devices refer to KDB Publication 662911 D01.

2. DFS Response Requirements

Table 4: DFS Response Requirement Values

Parameter	Value
Non-occupancy period	Minimum 30 minutes
Channel Availability Check Time	60 seconds
Channel Move Time	10 seconds See Note 1.
Channel Closing Transmission Time	200 milliseconds + an aggregate of 60 milliseconds over remaining 10 second period. See Notes 1 and 2.
U-NII Detection Bandwidth	Minimum 100% of the U-NII 99% transmission power bandwidth. See Note 3.

Note 1: Channel Move Time and the Channel Closing Transmission Time should be performed with Radar Type 0. The measurement timing begins at the end of the Radar Type 0 burst.

Note 2: The Channel Closing Transmission Time is comprised of 200 milliseconds starting at the beginning of the Channel Move Time plus any additional intermittent control signals required facilitating a Channel move (an aggregate of 60 milliseconds) during the remainder of the 10 second period. The aggregate duration of control signals will not count quiet periods in between transmissions.

Note 3: During the U-NII Detection Bandwidth detection test, radar type 0 should be used. For each frequency step the minimum percentage of detection is 90 percent. Measurements are performed with no data traffic.

3.2 RADAR TEST WAVEFORMS

This section provides the parameters for required test waveforms, minimum percentage of successful detections, and the minimum number of trials that must be used for determining DFS conformance. Step intervals of 0.1 microsecond for Pulse Width, 1 microsecond for PRI, 1 MHz for chirp width and 1 for the number of pulses will be utilized for the random determination of specific test waveforms.

Table 5 Short Pulse Radar Test Waveforms

Radar Type	Pulse Width (μsec)	PRI (μsec)	Number of Pulses	Minimum Percentage of Successful Detection	Minimum Number of Trials
0	1	1428	18	See Note 1	See Note 1
1	1	Test A: 15 unique PRI values randomly selected from the list of 23 PRI values in Table 5a	$\text{Roundup} \left\{ \left(\frac{1}{360} \right) \cdot \left(\frac{19 \cdot 10^6}{\text{PRI}_{\mu\text{sec}}} \right) \right\}$	60%	30
		Test B: 15 unique PRI values randomly selected within the range of 518-3066 μsec, with a minimum increment of 1 μsec, excluding PRI values selected in Test A			
2	1-5	150-230	23-29	60%	30
3	6-10	200-500	16-18	60%	30
4	11-20	200-500	12-16	60%	30
Aggregate (Radar Types 1-4)				80%	120
Note 1: Short Pulse Radar Type 0 should be used for the detection bandwidth test, channel move time, and channel closing time tests.					

A minimum of 30 unique waveforms are required for each of the Short Pulse Radar Types 2 through 4. If more than 30 waveforms are used for Short Pulse Radar Types 2 through 4, then each additional waveform must also be unique and not repeated from the previous waveforms. If more than 30 waveforms are used for Short Pulse Radar Type 1, then each additional waveform is generated with Test B and must also be unique and not repeated from the previous waveforms in Tests A or B.

For example if in Short Pulse Radar Type 1 Test B a PRI of 3066 μsec is selected, the number of pulses

$$\left\{ \left(\frac{1}{360} \right) \cdot \left(\frac{19 \cdot 10^6}{3066} \right) \right\}$$

would be Round up

$$= \text{Round up } \{17.2\} = 18.$$

Table 5a - Pulse Repetition Intervals Values for Test A

Pulse Repetition Frequency Number	Pulse Repetition Frequency (Pulses Per Second)	Pulse Repetition Interval (Microseconds)
1	1930.5	518
2	1858.7	538
3	1792.1	558
4	1730.1	578
5	1672.2	598
6	1618.1	618
7	1567.4	638
8	1519.8	658
9	1474.9	678
10	1432.7	698
11	1392.8	718
12	1355	738
13	1319.3	758
14	1285.3	778
15	1253.1	798
16	1222.5	818
17	1193.3	838
18	1165.6	858
19	1139	878
20	1113.6	898
21	1089.3	918
22	1066.1	938
23	326.2	3066

Table 6 – Long Pulse Radar Test Waveform

Radar Type	Pulse Width (μsec)	Chirp Width (MHz)	PRI (μsec)	Number of Pulses per Burst	Number of Bursts	Minimum Percentage of Successful Detection	Minimum Number of Trials
5	50-100	5-20	1000-2000	1-3	8-20	80%	30

The parameters for this waveforms are randomly chosen. Thirty unique waveforms are required for the Long Pulse Radar Type waveforms. If more than 30 waveforms are used for the Long Pulse Radar Type wave forms, then each additional waveform must also be unique and not repeated from the previous waveforms.

Table 7 – Frequency Hopping Radar Test Waveform

Radar Type	Pulse Width (μsec)	PRI (μsec)	Pulses per Hop	Hopping Rate (kHz)	Hopping Sequence Length	Minimum Percentage of Successful	Minimum Number of Trials
6	1	333	9	0.333	300	70%	30

For the Frequency Hopping Radar Type, the same Burst parameters are used for each wave form. The hopping sequence is different for each wave form and a 100-length segment is selected from the hopping sequence defined by the following algorithm:

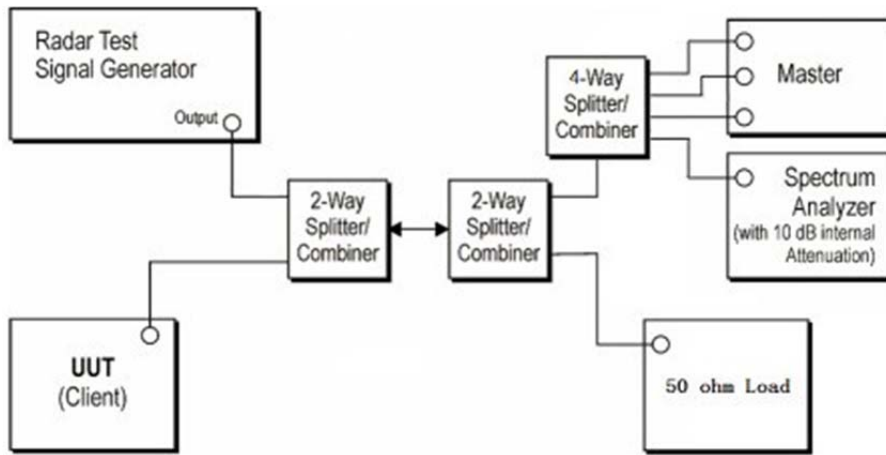
The first frequency in a hopping sequence is selected randomly from the group of 475 integer frequencies from 5250–5724MHz. Next, the frequency that was just chosen is removed from the group and a frequency is randomly selected from the remaining 474 frequencies in the group. This process continues until all 475 frequencies are chosen for the set. For selection of a random frequency, the frequencies remaining within the group are always treated as equally likely.

3.3 Calibration of Radar Waveform

Radar Waveform Calibration Procedure

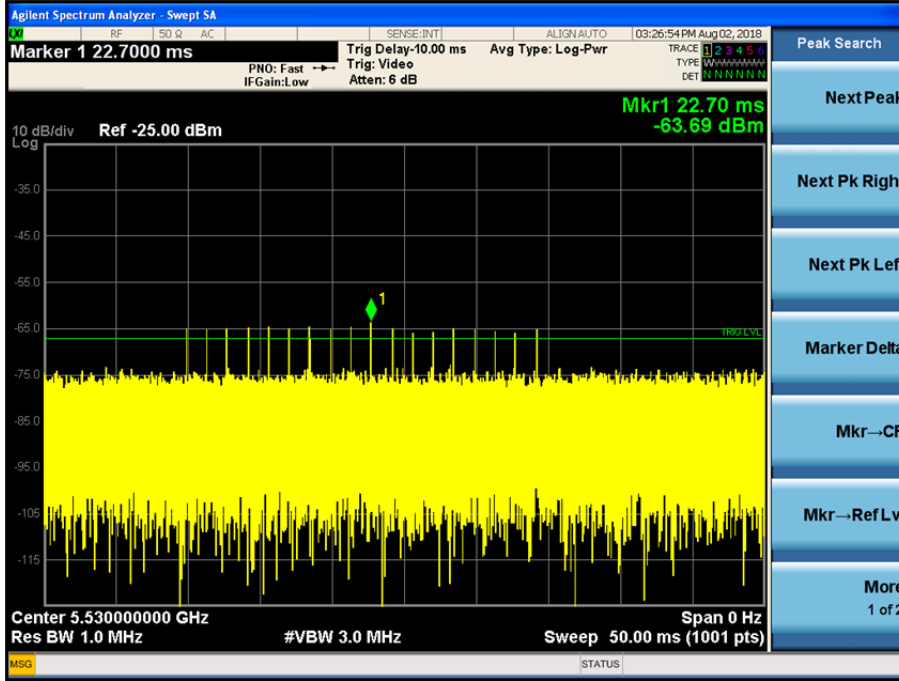
- 1) A 50 ohm load is connected in place of the spectrum analyzer, and the spectrum analyzer is connected to place of the master
- 2) The interference Radar Detection Threshold Level is $-62\text{dBm} + 0\text{dBi} + 1\text{dB} = -61\text{dBm}$ that had been taken into account the output power range and antenna gain.
- 3) The following equipment setup was used to calibrate the conducted radar waveform. A vector signal generator was utilized to establish the test signal level for radar type 0. During this process there were no transmissions by either the master or client device. The spectrum analyzer was switched to the zero spans (time domain) at the frequency of the radar waveform generator. Peak detection was used. The spectrum analyzer resolution bandwidth (RBW) and video bandwidth (VBW) were set to 3 MHz. The spectrum analyzer had offset -1.0dB to compensate RF cable loss 1.0dB .
- 4) The vector signal generator amplitude was set so that the power level measured at the spectrum analyzer was $-62\text{dBm} + 0\text{dBi} + 1\text{dB} = -61\text{dBm}$. Capture the spectrum analyzer plots on short pulse radar waveform.

Conducted Calibration Setup

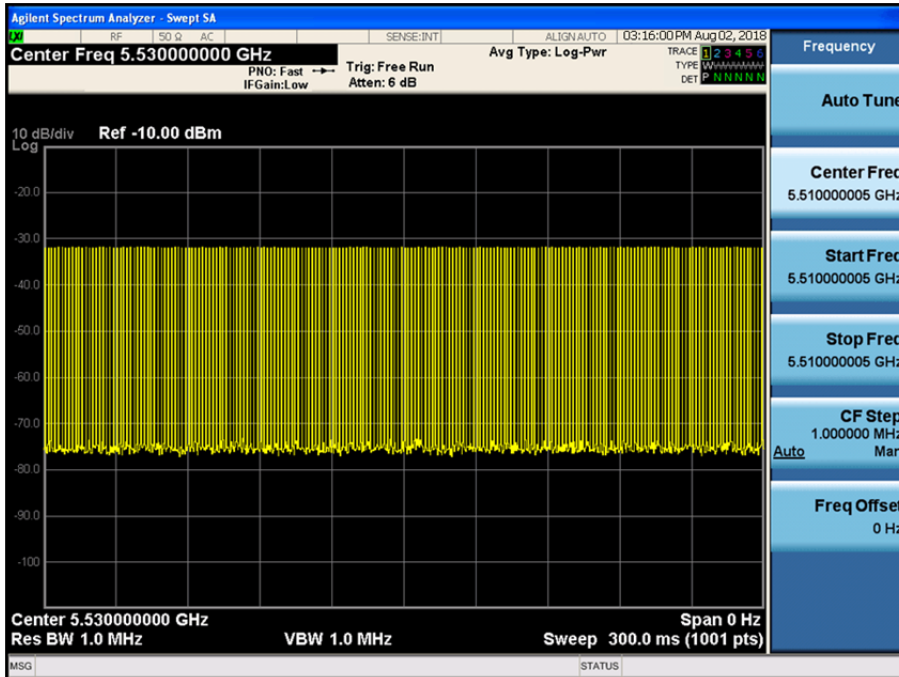


Radar Waveform Calibration Result

Radar Type 0 (80MHz / 5530MHz)

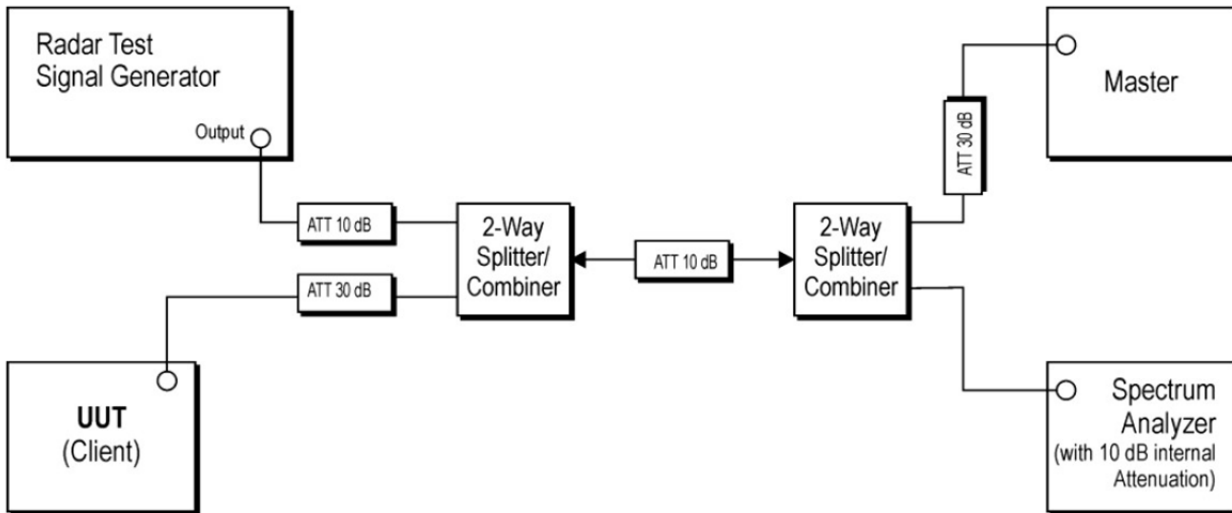


Data transmitting calibration



TEST CONFIGURATION

Setup for Client with injection at the Master



3.4 TEST PROCEDURE

1. The radar pulse generator is setup to provide a pulse at frequency that the master and client are operating. A type 0 radar pulse with a 1us pulse width and a 1428us PRI is used for the testing.
2. The vector signal generator is adjusted to provide the radar burst (18 pulses) at the level of approximately -61dBm at the antenna port of the master device
3. A trigger is provided from the pulse generator to the DFS monitoring system in order to capture the traffic and the occurrence of the radar pulse.
4. EUT will associate with the master at channel. The file “iperf.exe” specified by the FCC is streamed from the PC 2 through the master and the client device to the PC 1 and played in full motion video using Media Player Classic Ver. 6.4.8.6 in order to properly load the network for the entire period of the test.
5. When radar burst with a level equal to the DFS Detection Threshold +1dB is generated on the operating channel of the U-NII device. At time T0 the radar waveform generator sends a burst of pulse of the radar waveform at Detection Threshold +1dB.
6. Observe the transmissions of the EUT at the end of the radar Burst on the Operating Channel Measure and record the transmissions from the UUT during the observation time (Channel Move Time). One 15 seconds plot is reported for the Short Pulse Radar Type 0. The plot for the Short Pulse Radar Types start at the end of the radar burst. The Channel Move Time will be calculated based on the zoom in 600ms plot of the Short

Pulse Radar Type

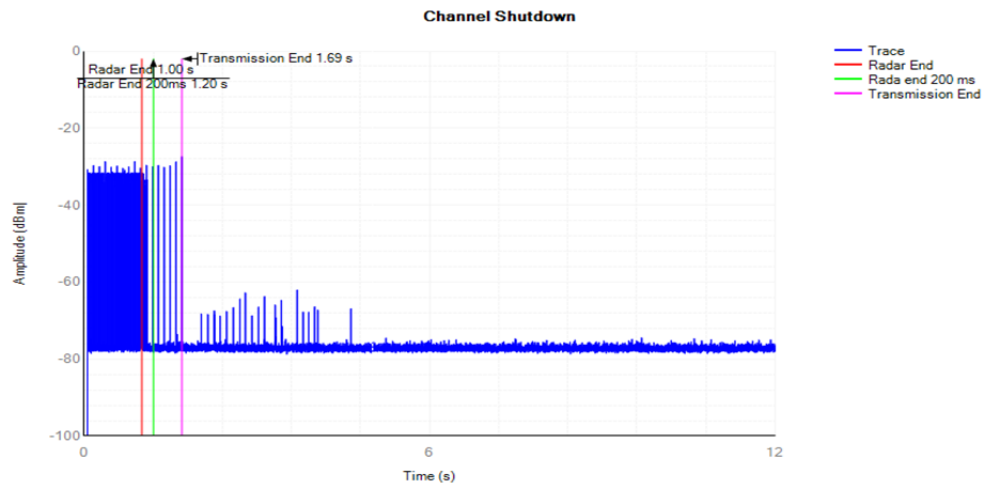
7. Measurement of the aggregate duration of the Channel Closed Transmission Time method. With the spectrum analyzer set to zero span tuned to the center frequency of the EUT operating channel at the radar simulated frequency, peak detection, and max hold, the dwell time per bin is given by: $Dwell (0.3ms) = S (12000ms) / B (4000)$; where Dwell is the dwell time per spectrum analyzer sampling bin, S is sweep time and B is the number of spectrum analyzer sampling bins. An upper bound of the aggregate duration of the intermittent control signals of Channel Closing Transmission Time is calculated by: $C (ms) = N \times Dwell (0.3ms)$; where C is the Closing Time, N is the number of spectrum analyzer sampling bins (intermittent control signals) showing a U-NII transmission and Dwell is the dwell time per bin.
8. Measurement the EUT for more than 30 minutes following the channel move time to verify that no transmission or beacons occur on this channel.

3.5 TEST RESULTS

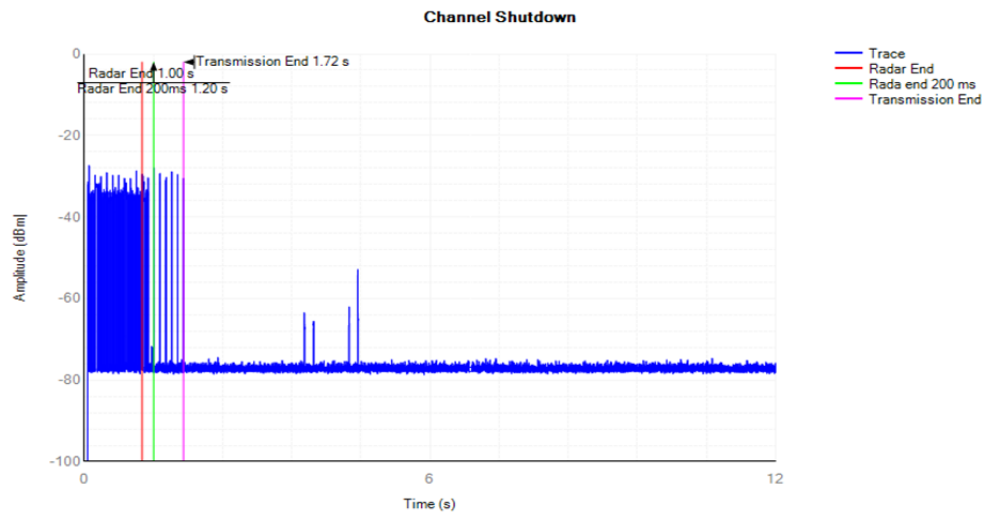
U-NII-2A				
Mode/Channel	Test Item	Test Result(s)	Limit	Result
802.11a/5300MHz	Channel Move Time	0.6944	<10s	Pass
	Channel Closing Transmission Time	0.0396	<0.26s	Pass
802.11n(HT40) /5310MHz	Channel Move Time	0.6944	<10s	Pass
	Channel Closing Transmission Time	0.0396	<0.26s	Pass
802.11ac(HT80) /5290MHz	Channel Move Time	0.6896	<10s	Pass
	Channel Closing Transmission Time	0.0288	<0.26s	Pass

U-NII-2C				
Mode/Channel	Test Item	Test Result(s)	Limit	Result
802.11a/5600MHz	Channel Move Time	0.632	<10s	Pass
	Channel Closing Transmission Time	0.0168	<0.26s	Pass
802.11n(HT40) /5590MHz	Channel Move Time	0.2888	<10s	Pass
	Channel Closing Transmission Time	0.0048	<0.26s	Pass
802.11ac(HT80) /5530MHz	Channel Move Time	0.722	<10s	Pass
	Channel Closing Transmission Time	0.054	<0.26s	Pass

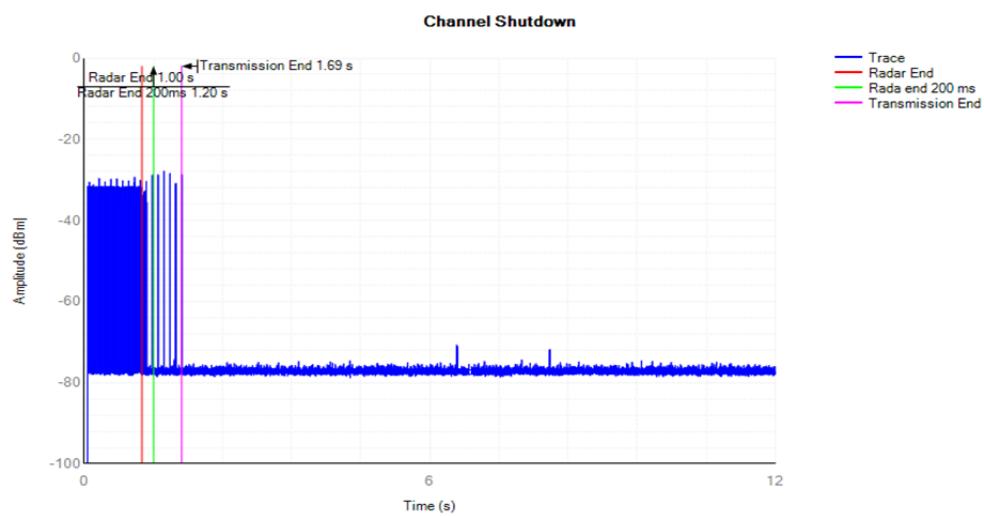
Channel Move Time& Channel Closing Transmission Time



802.11a/5300MHz

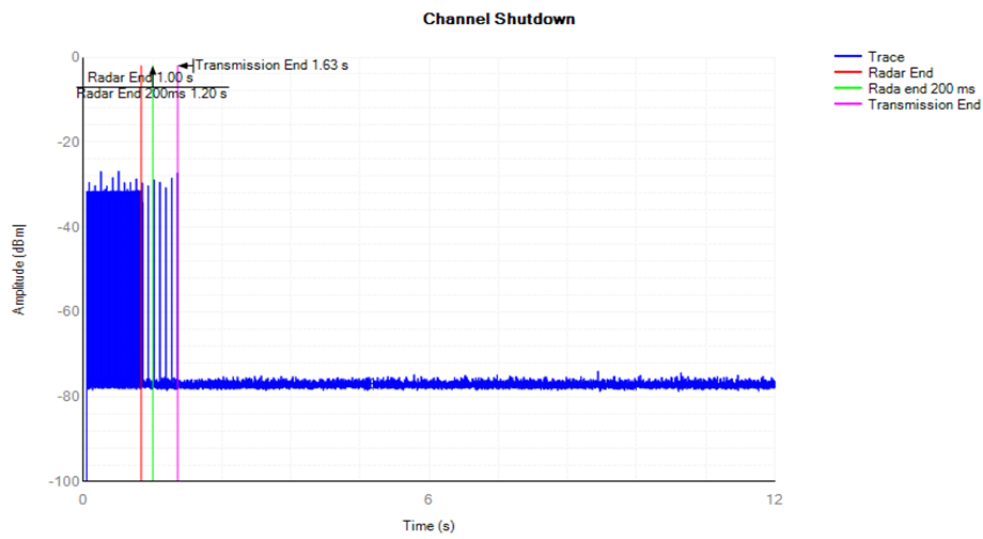


802.11n(HT40)/5310MHz

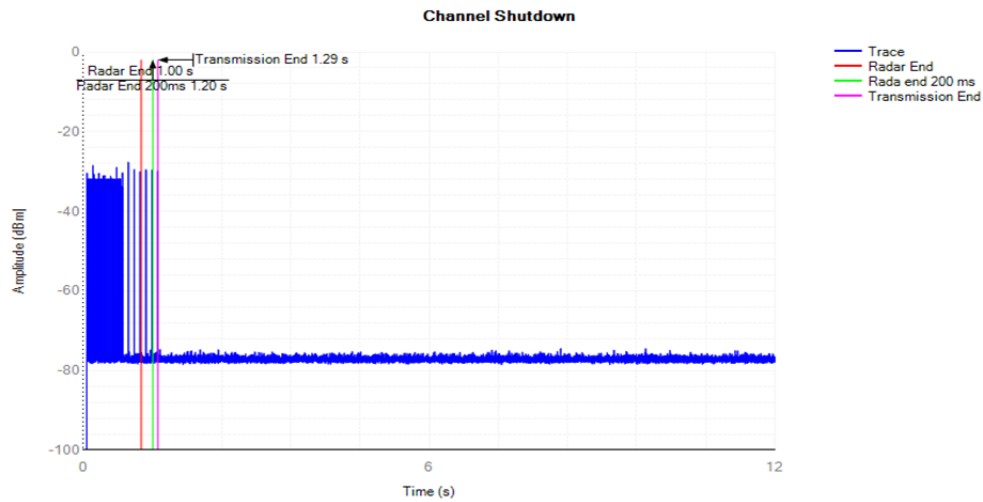


802.11ac(HT80)/5290MHz

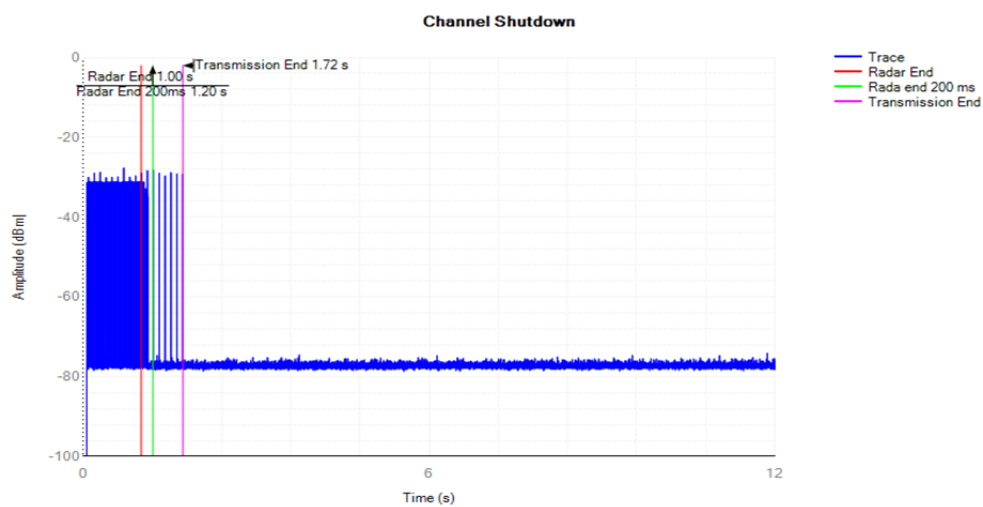
Channel Move Time & Channel Closing Transmission Time



802.11a/5600MHz

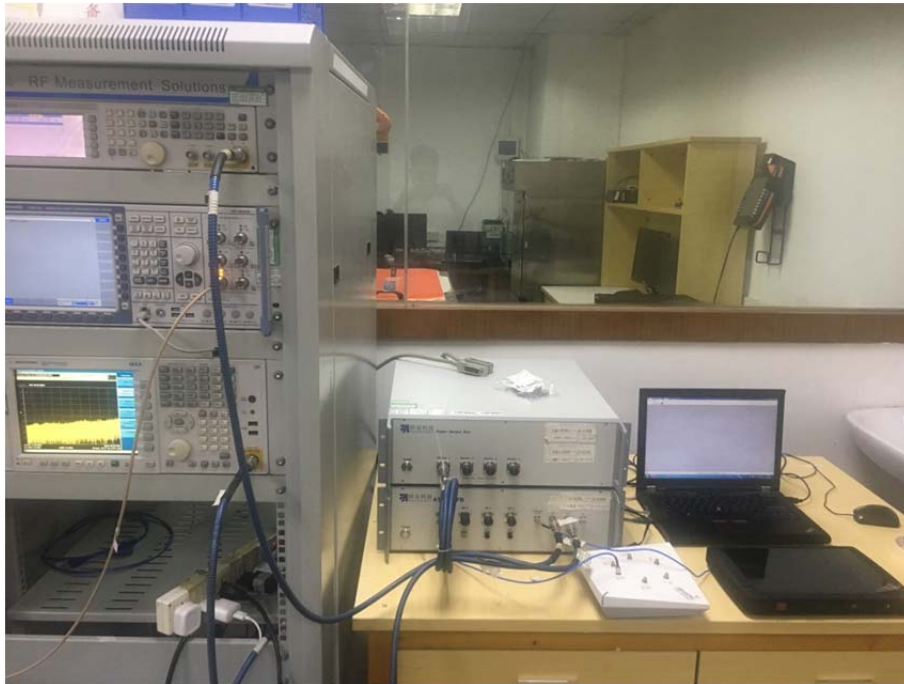


802.11n(HT40)/5590MHz



802.11ac(HT80)/5530MHz

EXHIBIT 1 - TEST SETUP PHOTOGRAPHS



***** END OF REPORT *****