

# TOXU® 同讯技术

深圳市同讯技术有限公司

Customer	元征
Project	<b>CRT601</b>
Antenna Revision	X/0
Product Description	FPC
Prepared by	LIDEWEN

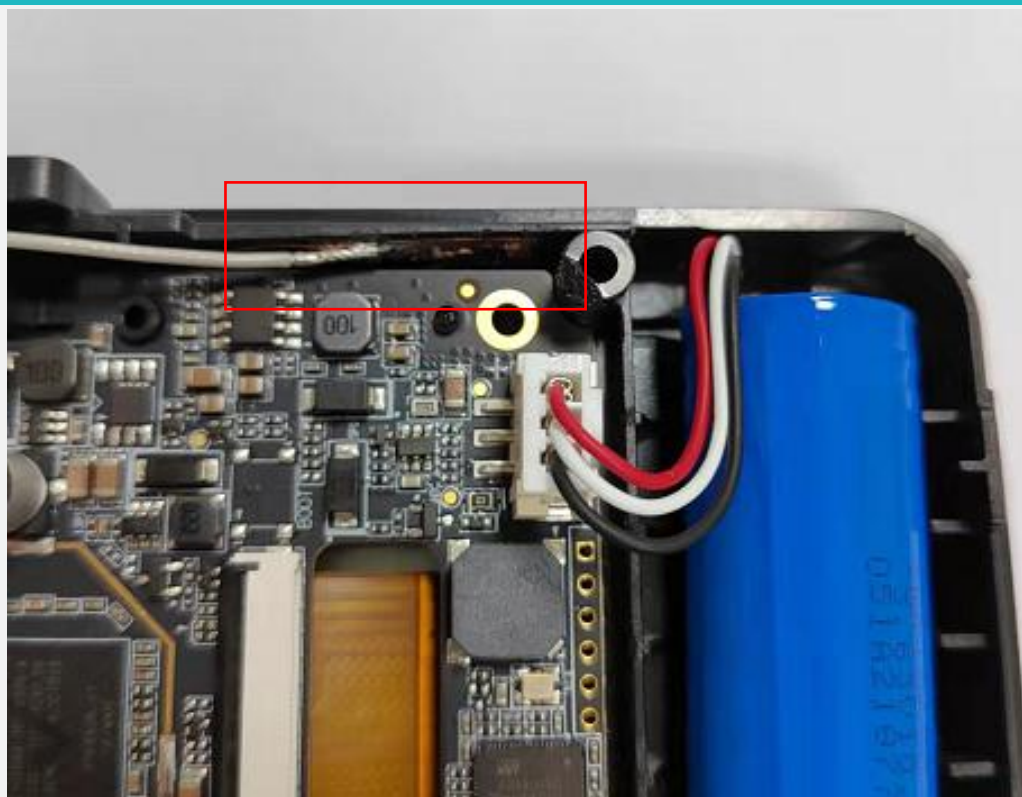
Contact number : 15889421381

date : 2022.2.21

# Content

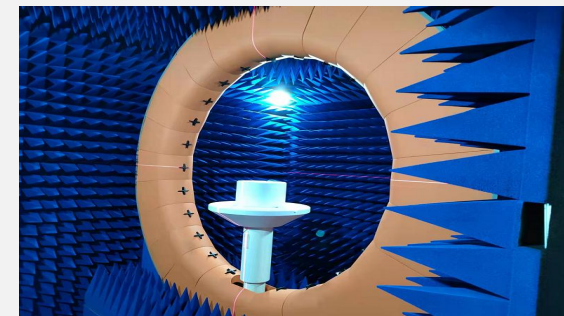
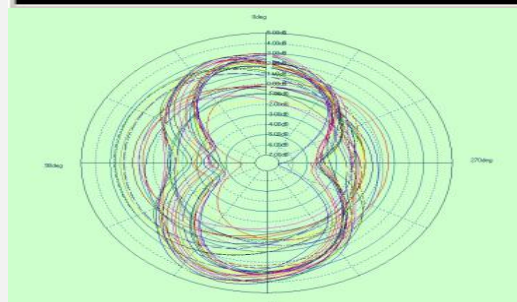
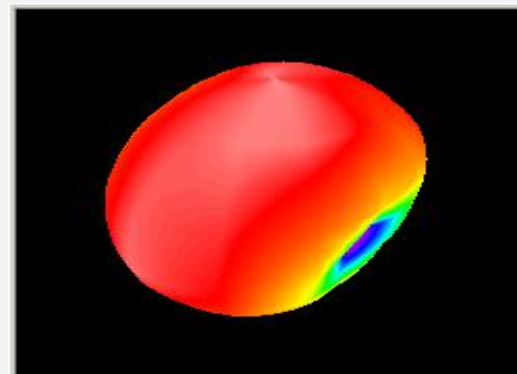
- 1: Test environment and antenna location
- 2: Test Result
  - 2.1 Antenna Matching Network
  - 2.2 VSWR
  - 2.3 Gain & Efficiency
  - 2.4 3D Date
- 3: Conclusion

# 1. Test scenario and antenna locatio



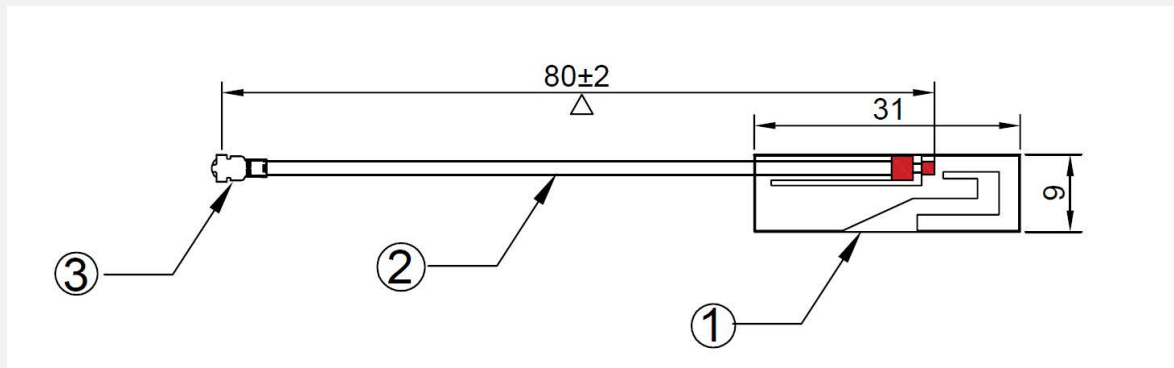
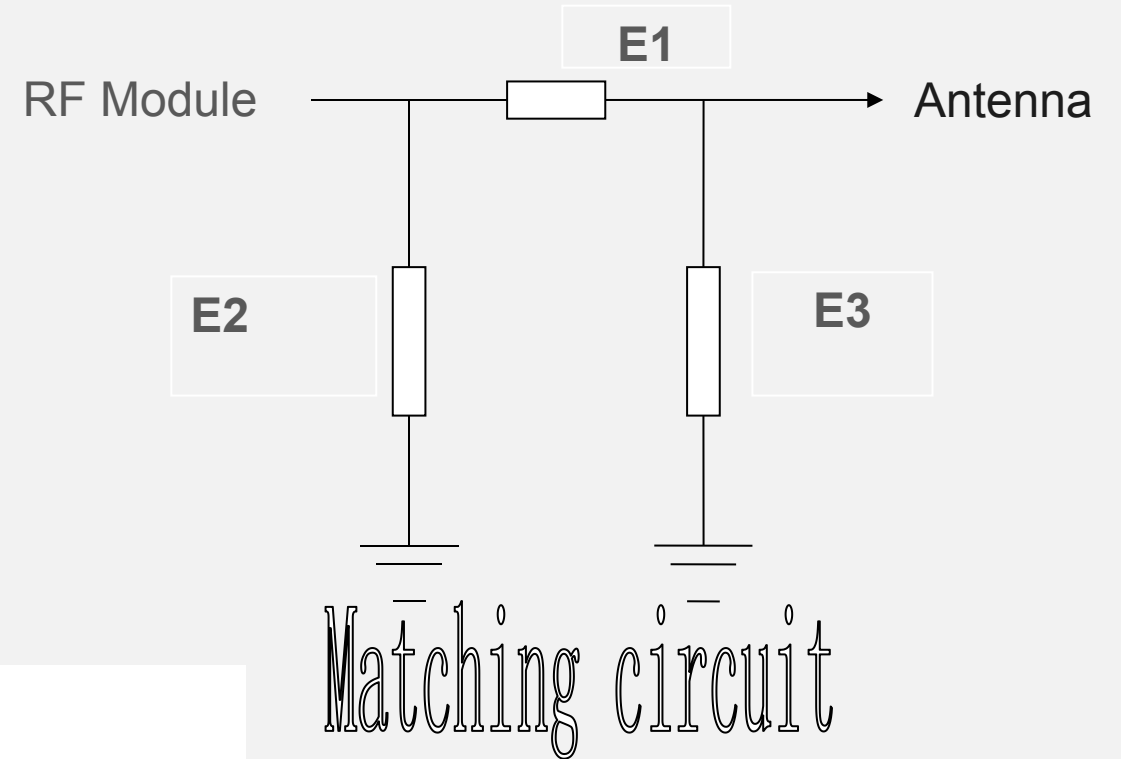
# 2. Test System

Sequence Number	Test Item	equipment
1. S parameter	VSWR	Agilent 5071C & Agilent 5062A
2. OTA Test	TRP&TIS	Agilent 8960 E5515C& Agilent 4438C&CMW500 &CMW270 ETS&SATIMO
3. Gain & Efficiency	Gain & Efficiency	ETS&SATIMO Agilent 5071C

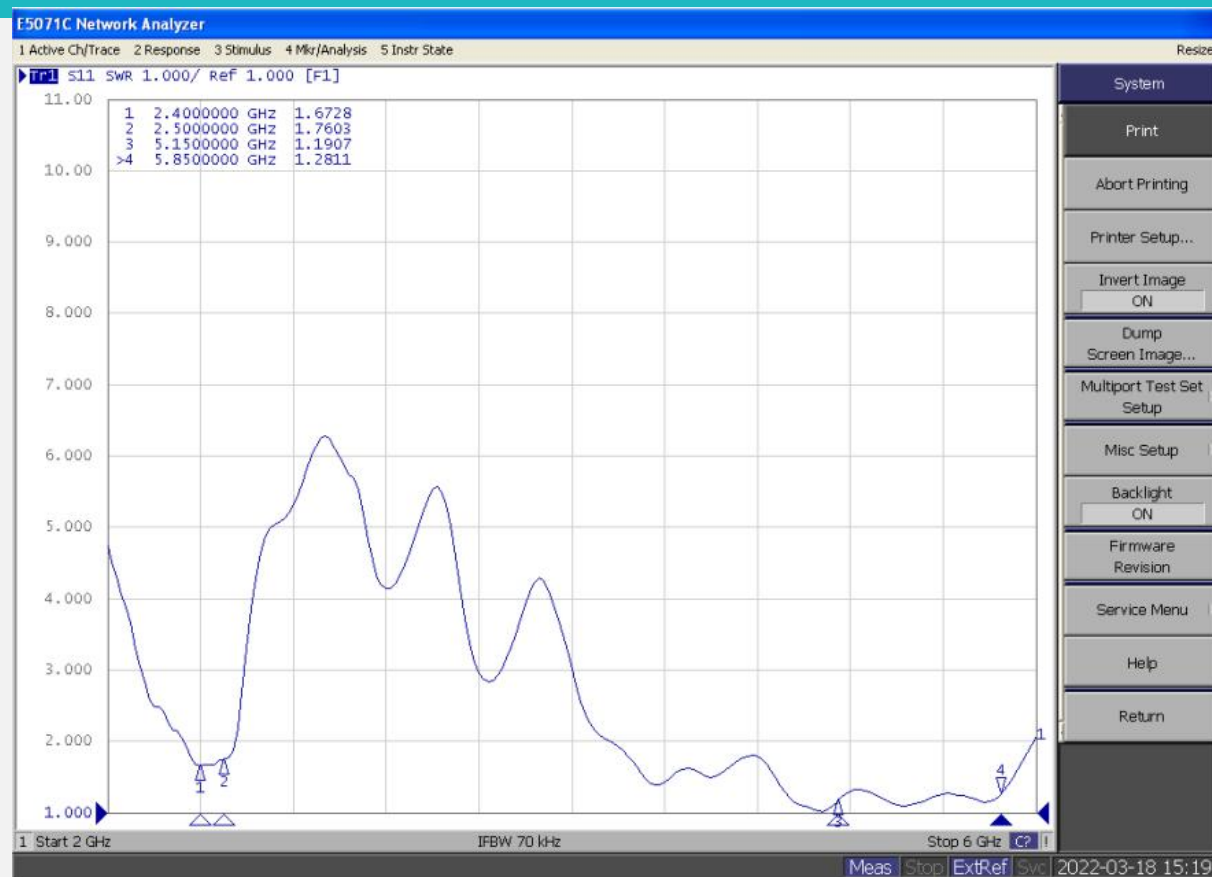


# 2.1. Antenna Matching Network

Element	Value
E1(0402)	0Ω
E2(0402)	NC
E3(0402)	NC
是否修改匹配	否



## 2.2. VSWR



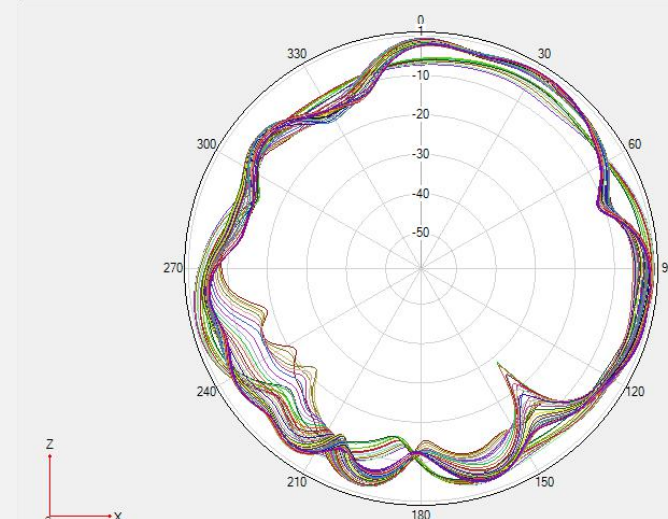
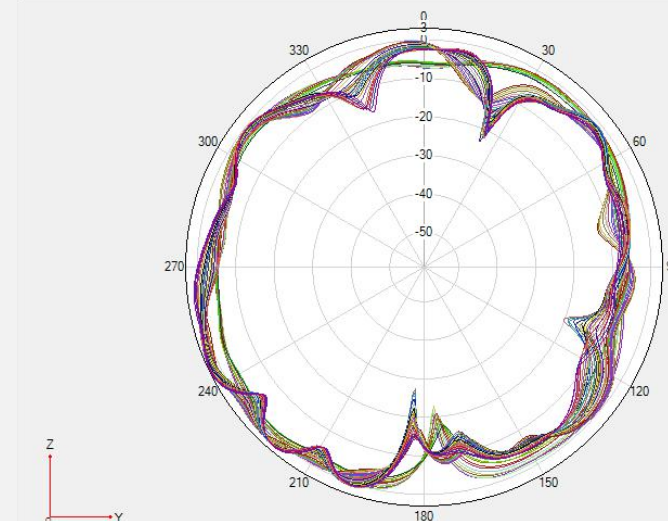
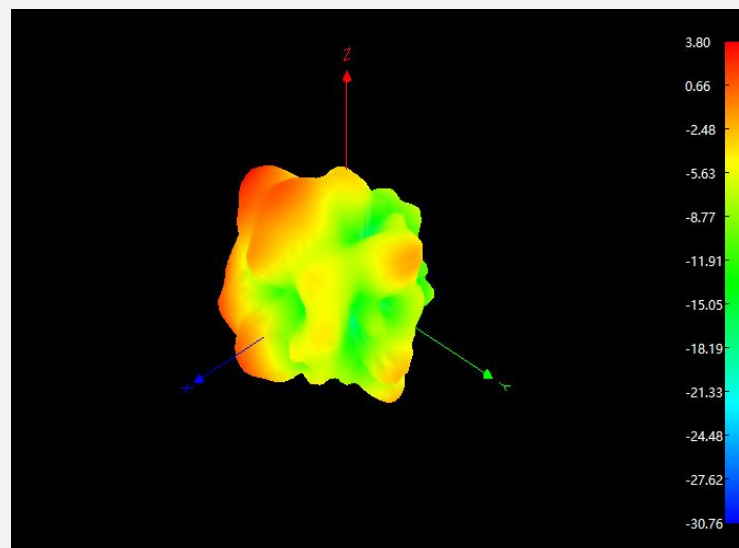
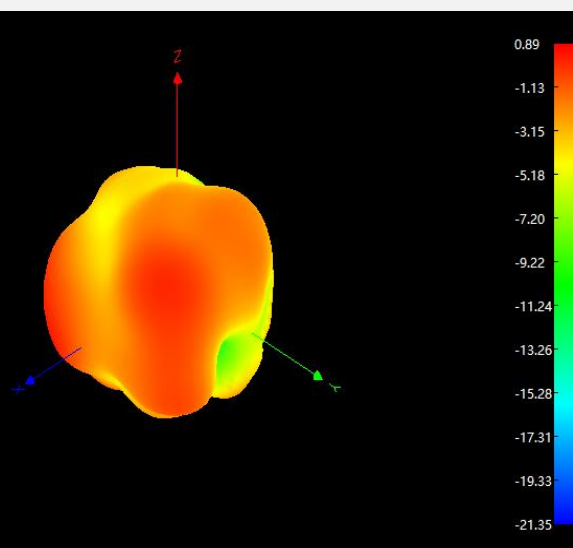
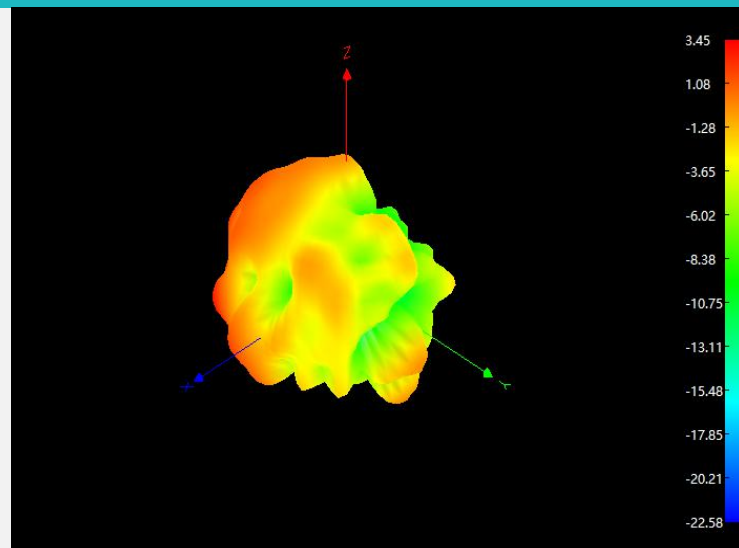
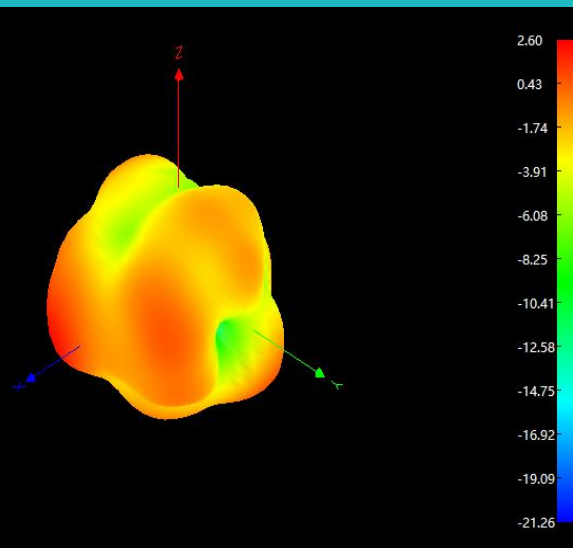
Frequency (MHz)	2400	2500	5150	5850
VSWR	1.67	1.76	1.19	1.28

## 2.3. GAIN & Efficiency

Freq (MHz)	Effi (%)	Gain (dBi)
2400	60	2.6
2410	59.89	2.91
2420	58.87	2.39
2430	56.03	2.28
2440	56.13	2.17
2450	53.05	1.72
2460	53.75	1.77
2470	49.45	1.21
2480	51.5	1.69
2490	47.5	0.86
2500	45.65	0.89

Freq (MHz)	Effi (%)	Gain (dBi)
5150	49.89	3.45
5200	50.12	3.7
5250	49.09	3.72
5300	58.42	3.73
5350	56.88	3.53
5400	56.88	3.45
5450	56.77	3.34
5500	56.56	3.43
5550	56.45	3.4
5600	56.34	3.31
5650	54.06	3.22
5700	56.67	3.16
5750	56.99	2.78
5800	58.53	3.11
5850	58.53	3.81

# 2.5 3D Date





## 3. Conclusion

PCB主板端匹配电路未改动，天线无源驻波2.0以下，在微波实验室测试效率增益时，测试效率和增益均满足要求。装机需注意天线贴的位置！如有其他问题电话联系，谢谢！