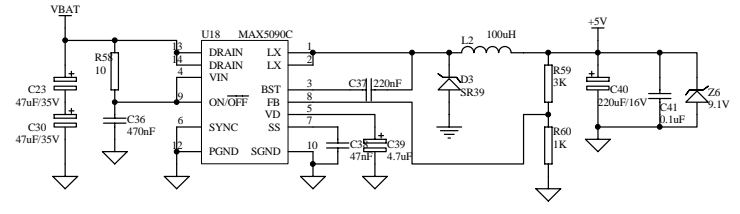
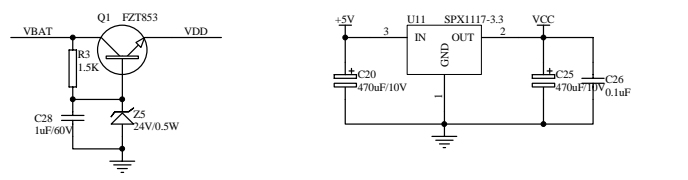
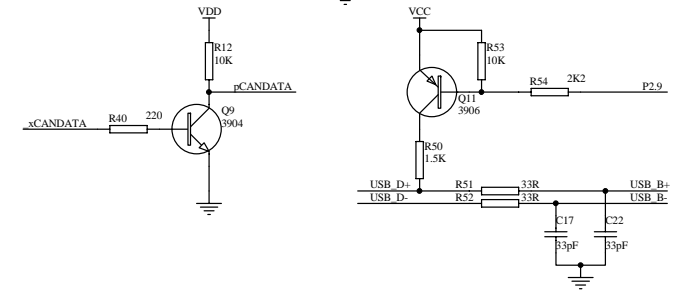
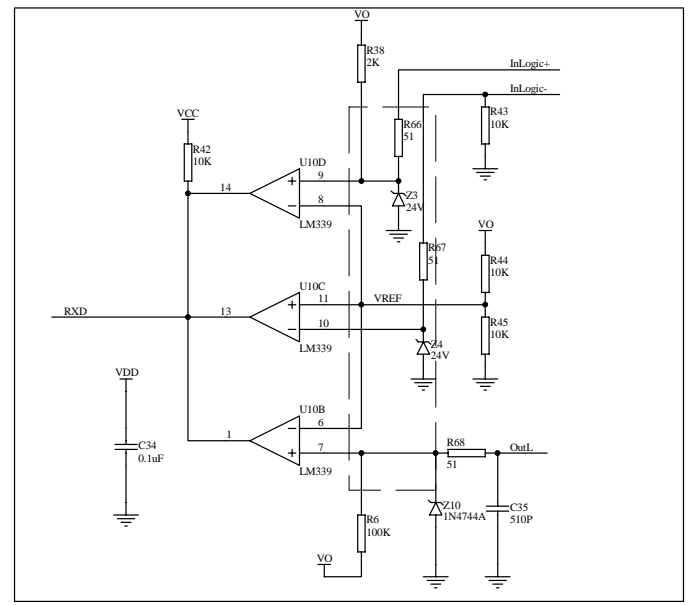
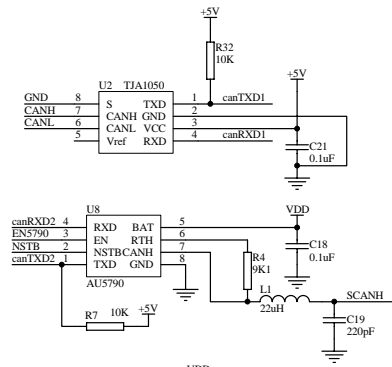
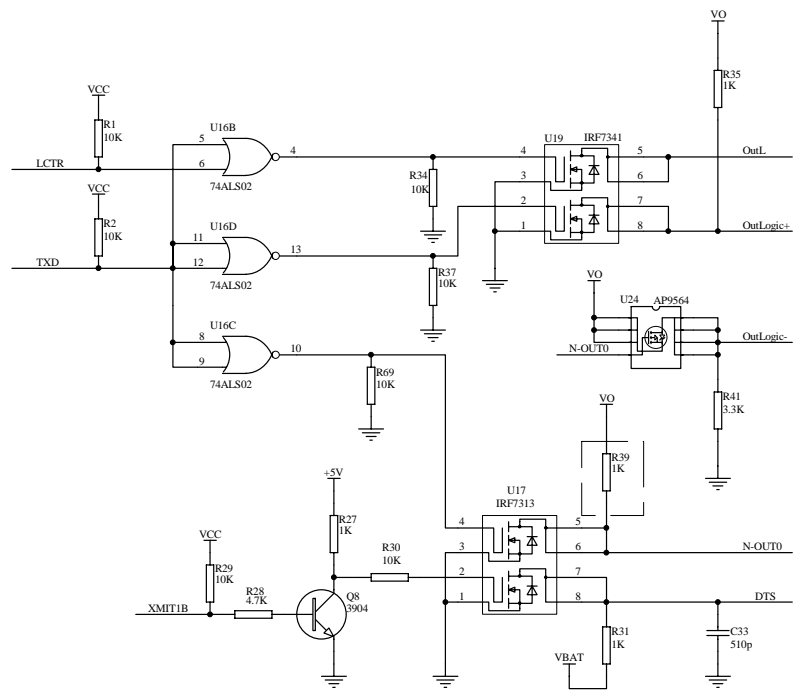
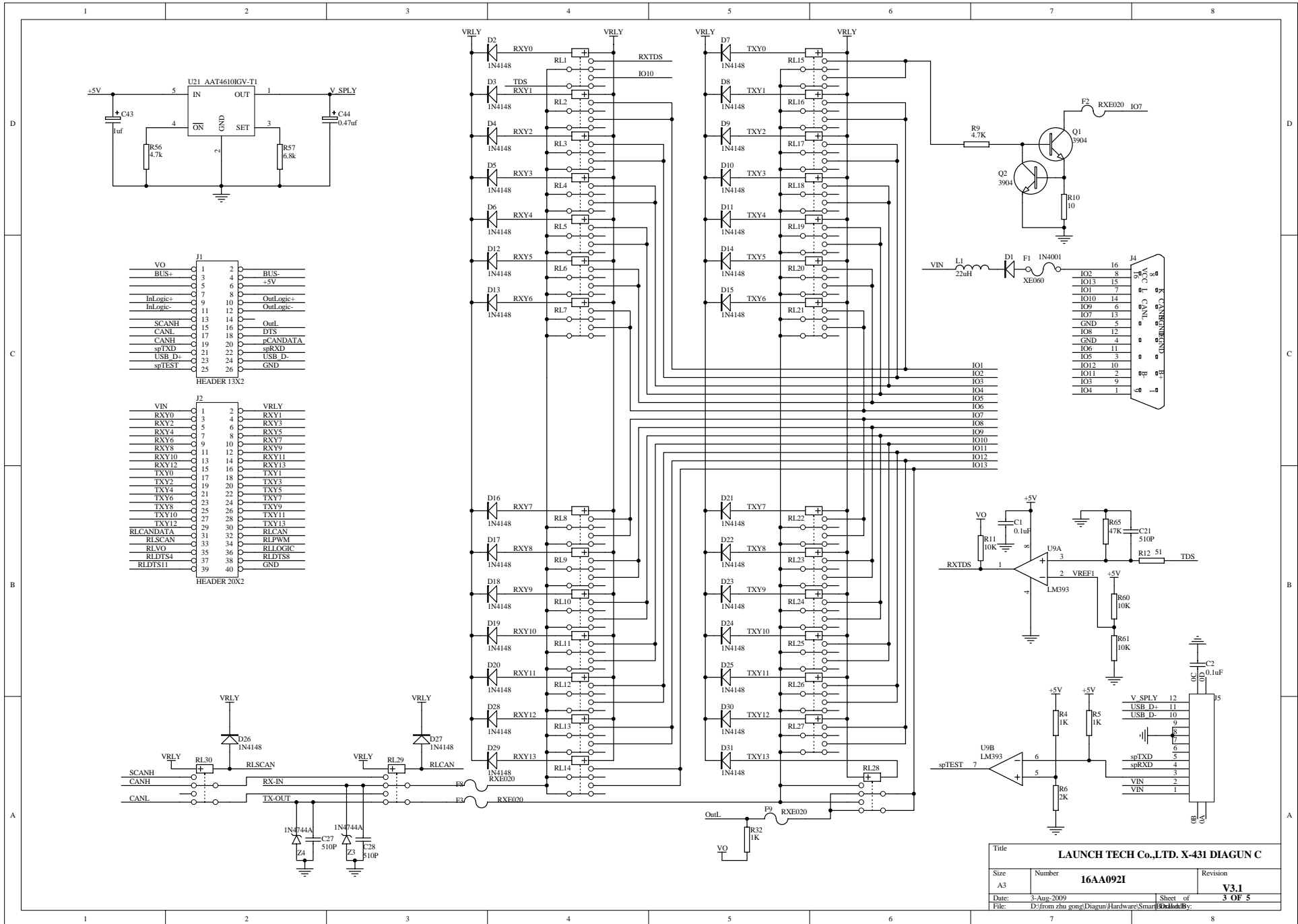


Title			
Size	Number	Revision	
A3	16AA092I	V3.1	
Date:	3-Aug-2009	Sheet of	1 OF 5
File:	D:\from zhu gong\Diagun\Hardware\SmartDiagun\B...		



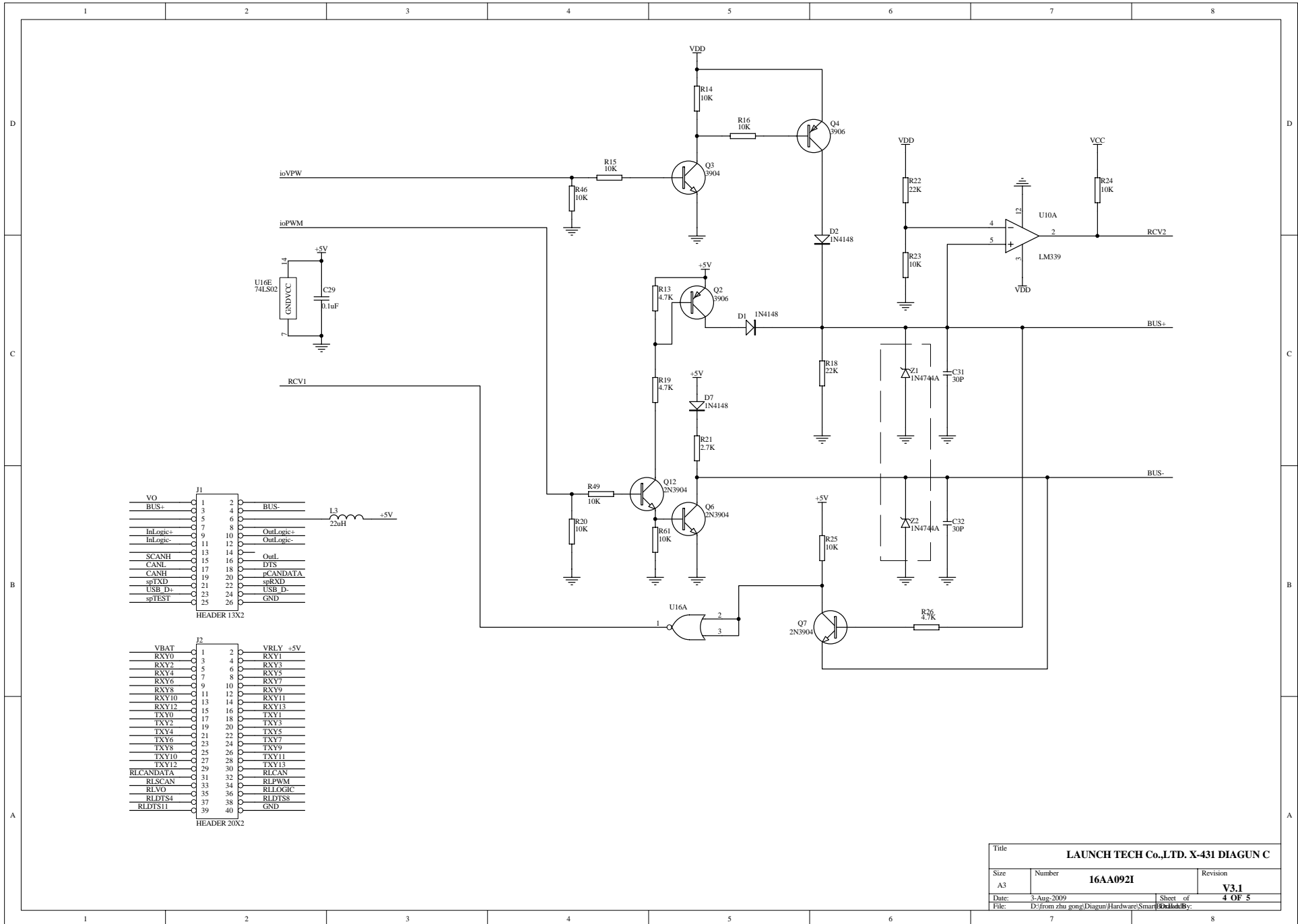
Title			
LAUNCH TECH Co.,LTD. X-431 DIAGUN C			
Size	Number	Revision	
A3	16AA092I		V3.1
Date:	3-Aug-2009	Sheet of	2 OF 5
File:	D:\from zhu gong\Diagun\Hardware\SmartDiagun\		



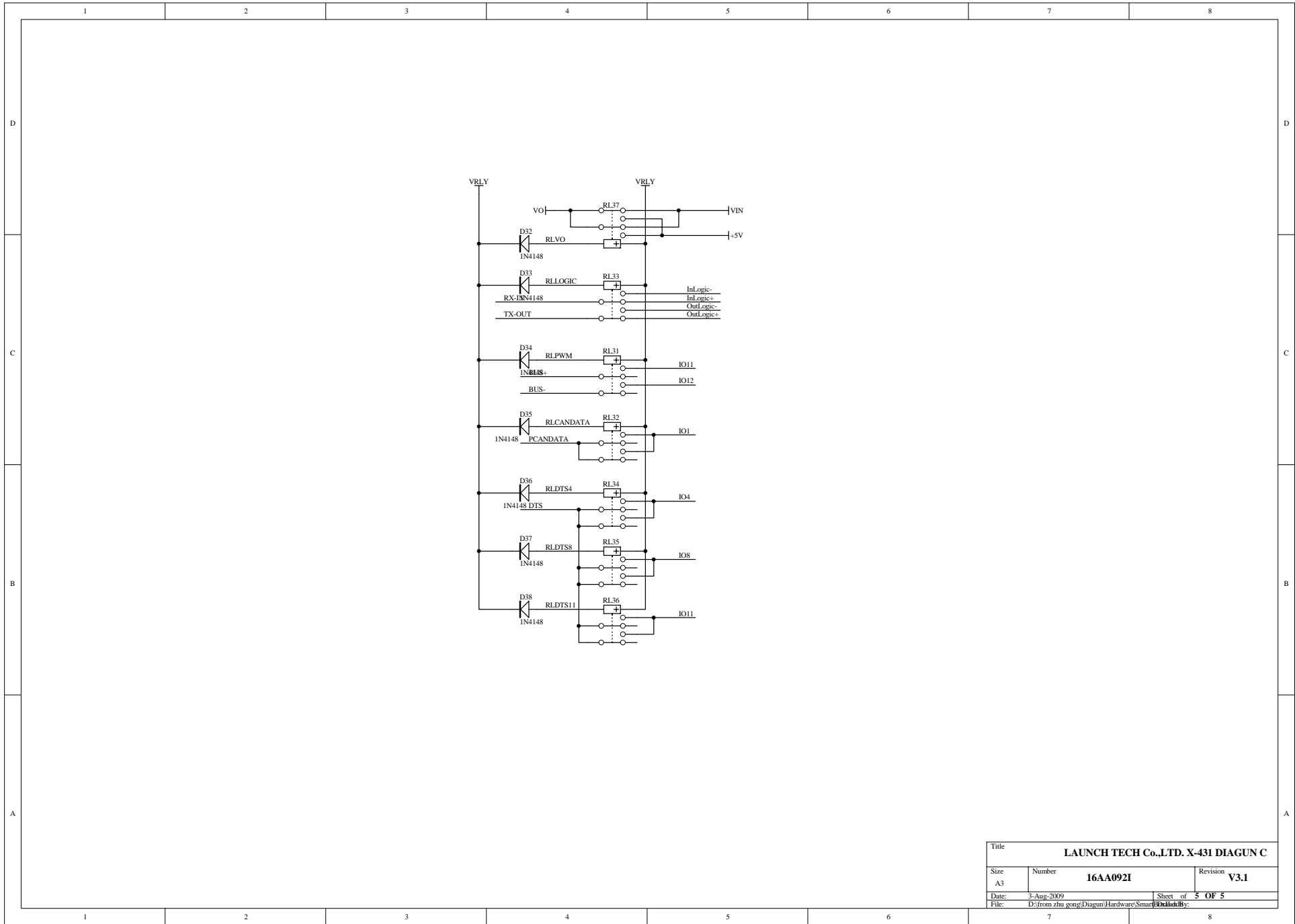
Pin headers J1 and J2 connections:

J1 Pin	Signal	J2 Pin	Signal
1	VO	1	VIN
2	BUS+	2	RXY0
3	-5V	3	RXY1
4	BUS-	4	RXY2
5	-5V	5	RXY3
6	OutLogic+	6	RXY4
7	OutLogic-	7	RXY5
8	OutLogic+	8	RXY6
9	OutLogic-	9	RXY7
10	OutLogic+	10	RXY8
11	OutLogic-	11	RXY9
12	OutLogic+	12	RXY10
13	OutLogic-	13	RXY11
14	OutLogic+	14	RXY12
15	OutLogic-	15	RXY13
16	OutLogic+	16	TX0
17	OutLogic-	17	TX1
18	OutLogic+	18	TX2
19	OutLogic-	19	TX3
20	OutLogic+	20	TX4
21	OutLogic-	21	TX5
22	OutLogic+	22	TX6
23	OutLogic-	23	TX7
24	OutLogic+	24	TX8
25	OutLogic-	25	TX9
26	OutLogic+	26	TX10
27	OutLogic-	27	TX11
28	OutLogic+	28	TX12
29	OutLogic-	29	TX13
30	OutLogic+	30	RLCAN
31	OutLogic-	31	RLPWM
32	OutLogic+	32	RLCAN
33	OutLogic-	33	RLLOGIC
34	OutLogic+	34	RLDTS8
35	OutLogic-	35	RLDTS8
36	OutLogic+	36	RLDTS11
37	OutLogic-	37	GND
38	OutLogic+	38	GND
39	OutLogic-	39	GND
40	OutLogic+	40	GND

Title			LAUNCH TECH Co.,LTD. X-431 DIAGUN C		
Size	Number	16AA092I		Revision	V3.1
A3	Date:	3-Aug-2009	Sheet of	3 OF 5	
File:	D:\from zhu gong Diagun Hardware\SmartDiagun\				



Title			
LAUNCH TECH Co.,LTD. X-431 DIAGUN C			
Size	Number	Revision	
A3	16AA092I	V3.1	
Date:	3-Aug-2009	Sheet of	4 OF 5
File:	D:\from zhu gong\Diagun\Hardware\SmartDiagun\		



Title		
LAUNCH TECH Co.,LTD. X-431 DIAGUN C		
Size	Number	Revision
A3	16AA092I	V3.1
Date:	3-Aug-2009	Sheet of 5 OF 5
File:	D:\from zhu geng\Diagun\Hardware\SmartDiagun\Diagun	