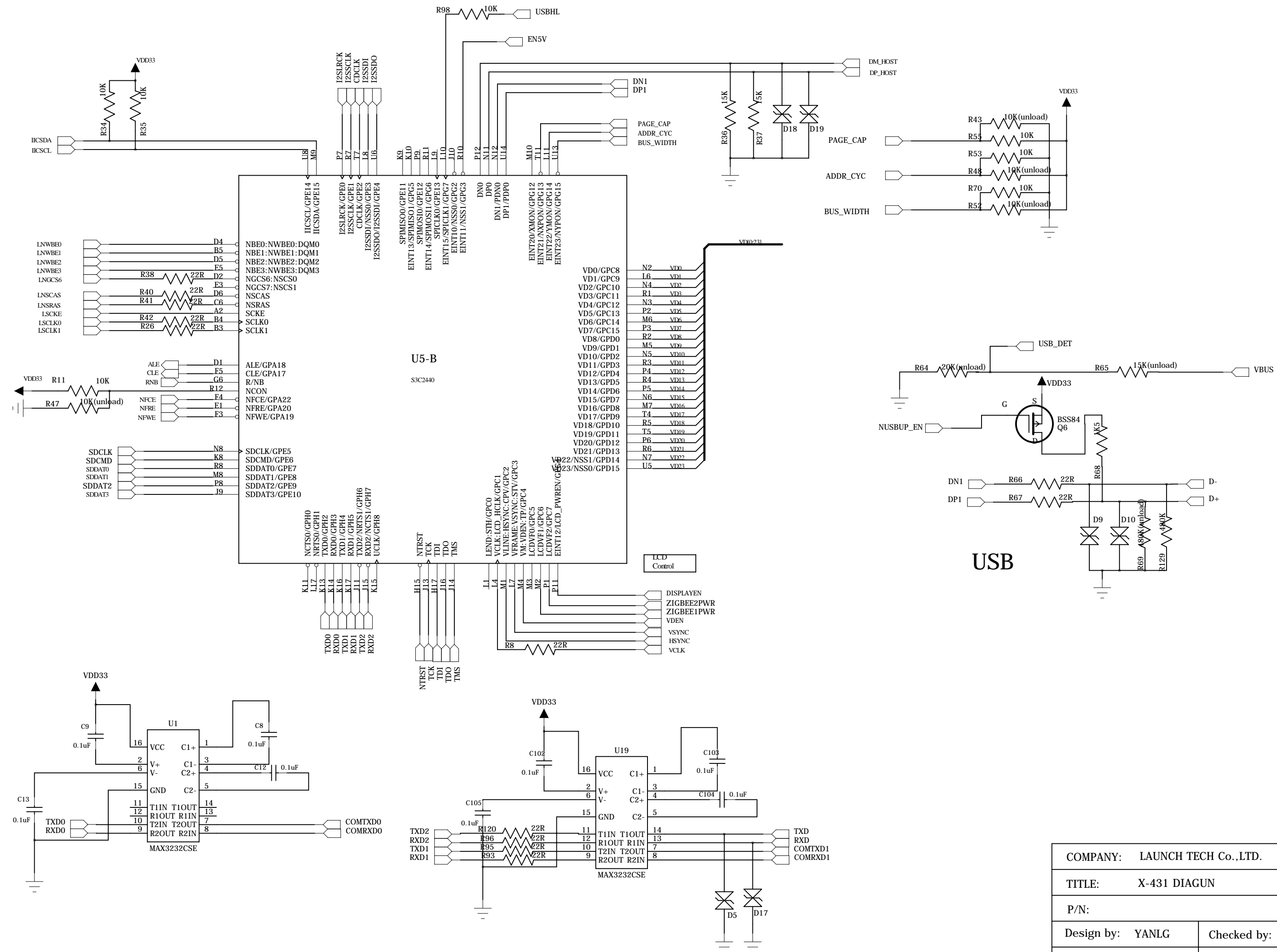


COMPANY: LAUNCH TECH Co.,LTD.		
TITLE: X-431 DIAGUN		
P/N:		REV: 1.3
Design by: YANLG	Checked by: XUWP	Approved by: YangYK
DATED: 20080829	DATED: 20080829	DATED: 20080829
SCALE: B	SIZE: A2	SHEET: 3 OF 10



COMPANY: LAUNCH TECH Co.,LTD.		
TITLE: X-431 DIAGUN		
P/N:	REV: 1.3	
Design by: YANLG	Checked by: XUWP	Approved by: YangYK
DATED: 20080829	DATED: 20080829	DATED: 20080829
SCALE: B	SIZE: A2	SHEET: 4 OF 10

D

D

C

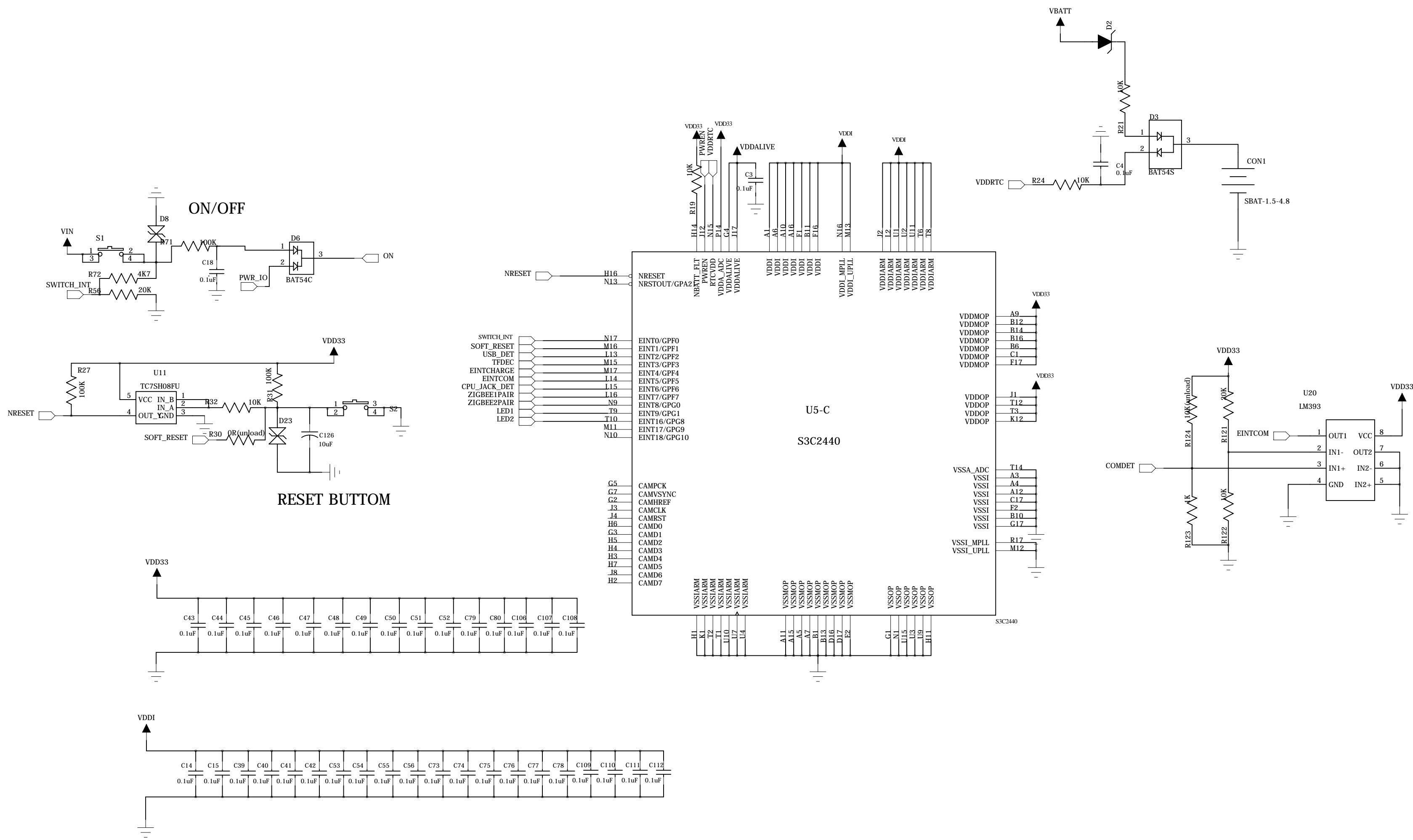
C

B

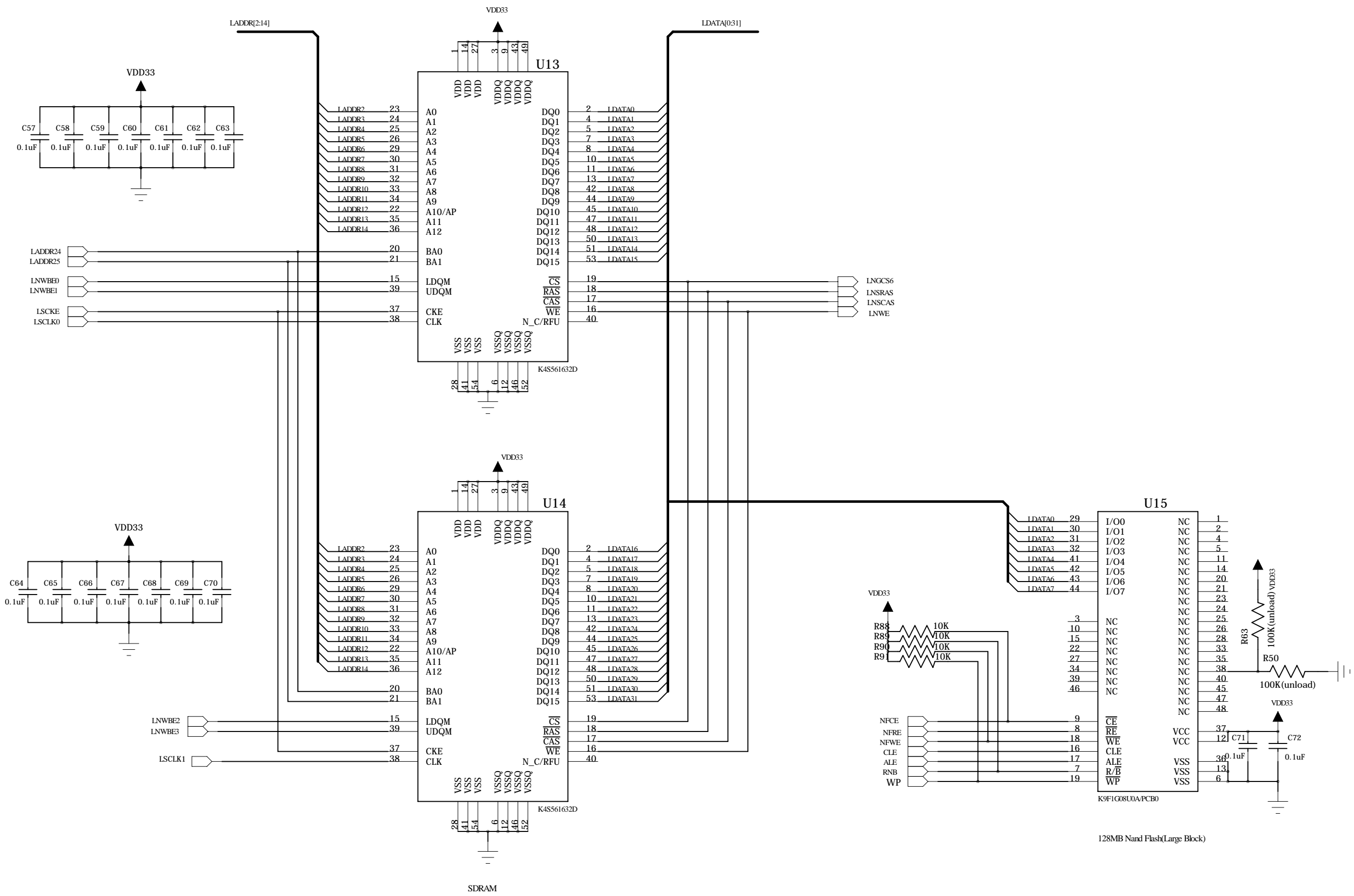
B

A

A



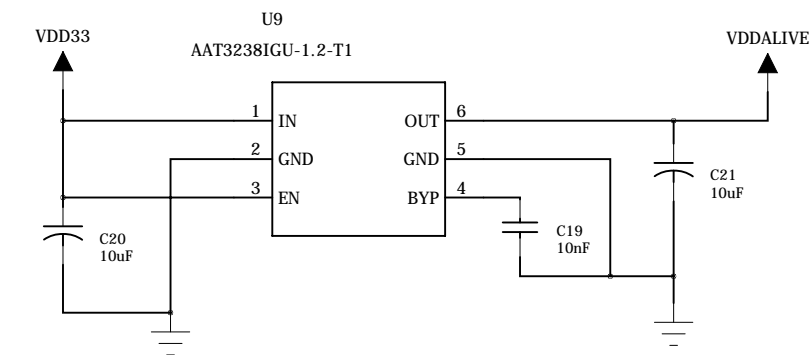
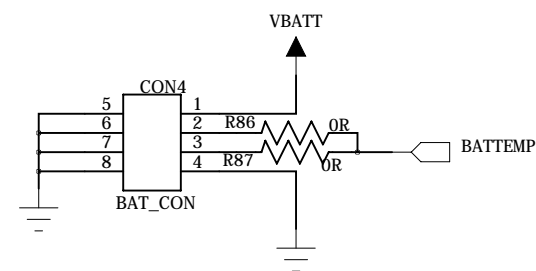
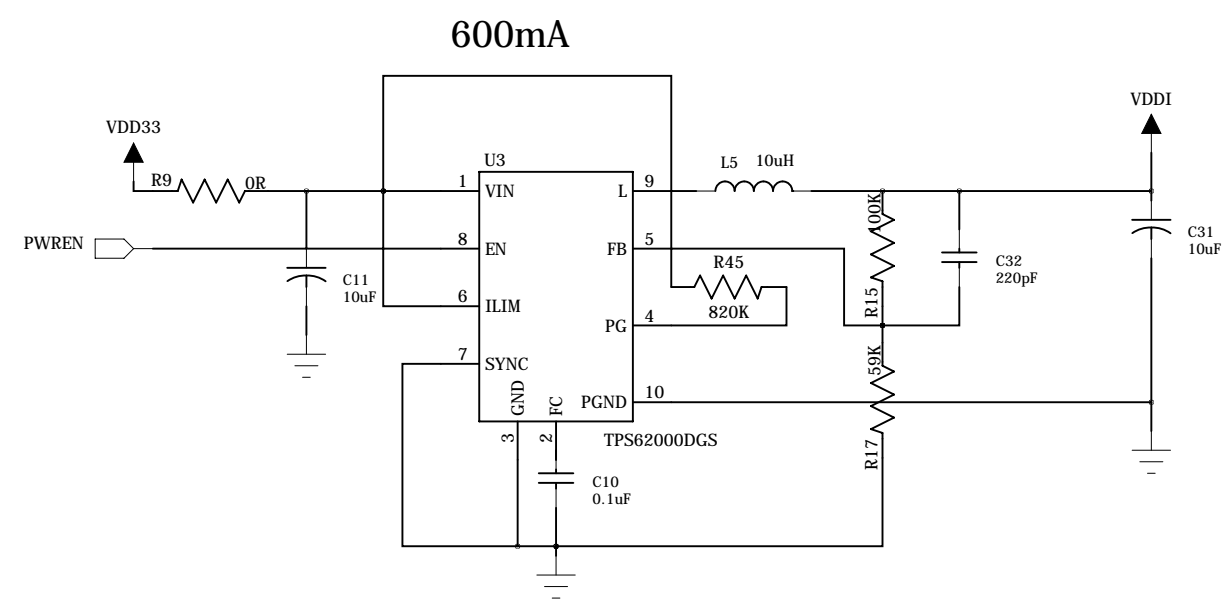
COMPANY: LAUNCH TECH Co.,LTD.		
TITLE: X-431 DIAGUN		
P/N:	Checked by:XUWP	REV: 1.3
Design by:YANLG	Approved by:YangYK	
DATED: 20080829	DATED: 20080829	DATED: 20080829
SCALE: B	SIZE: A2	SHEET: 5 OF 10



COMPANY: LAUNCH TECH Co.,LTD.		
TITLE: X-431 DIAGUN		
P/N:		REV: 1.3
Design by: YANLG	Checked by: XUWP	Approved by: YangYK
DATED: 20080829	DATED: 20080829	DATED: 20080829
SCALE: B	SIZE: A2	SHEET: 6 OF 10

D

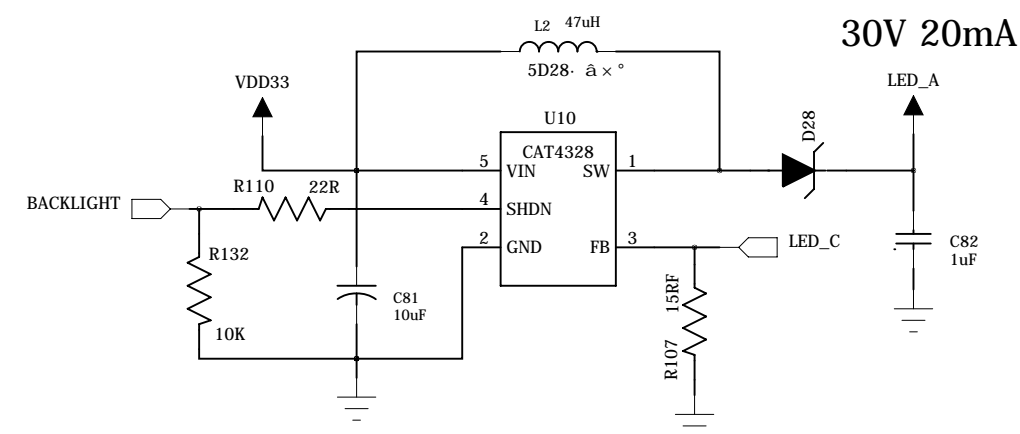
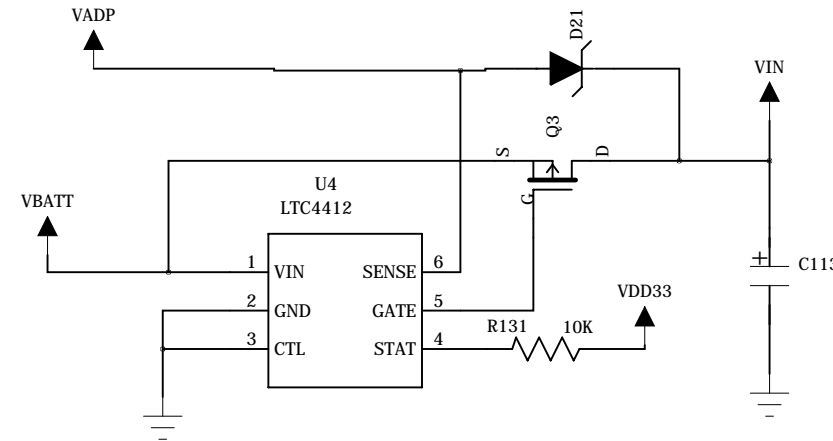
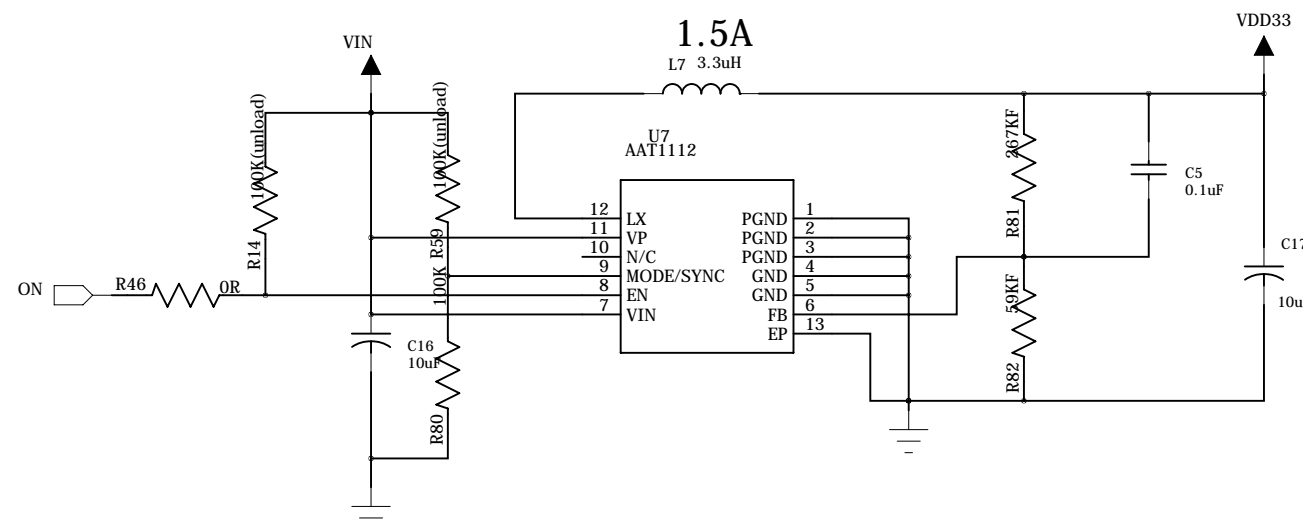
D



LDO FOR VDDALIVE 1.2V

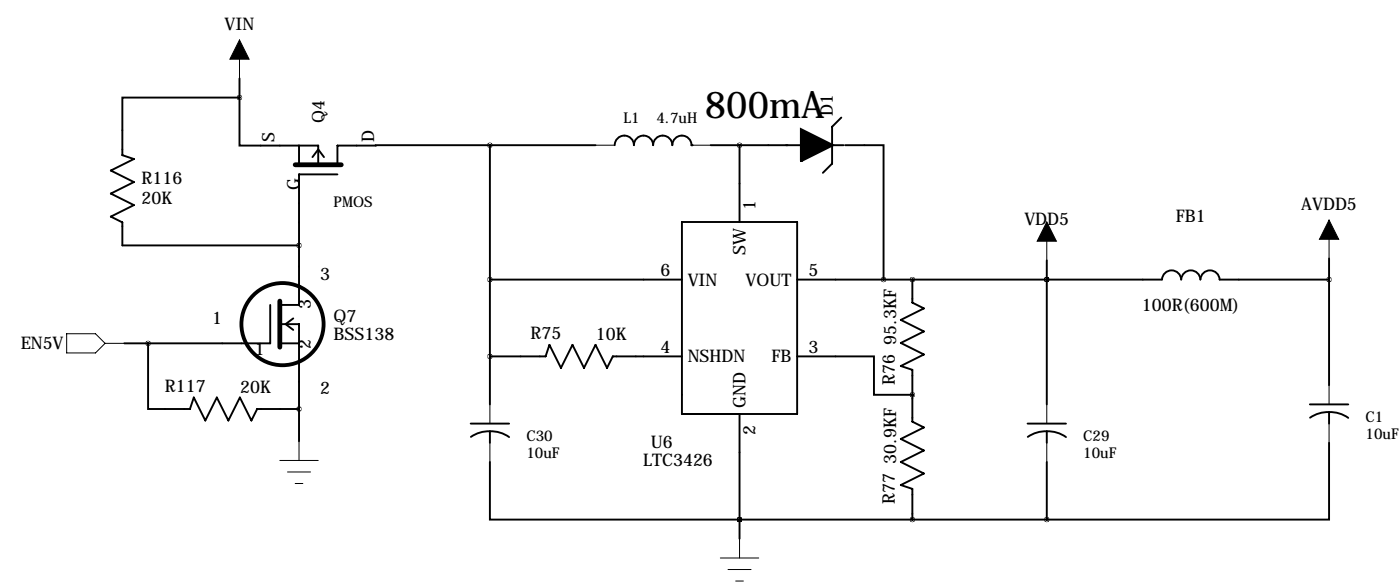
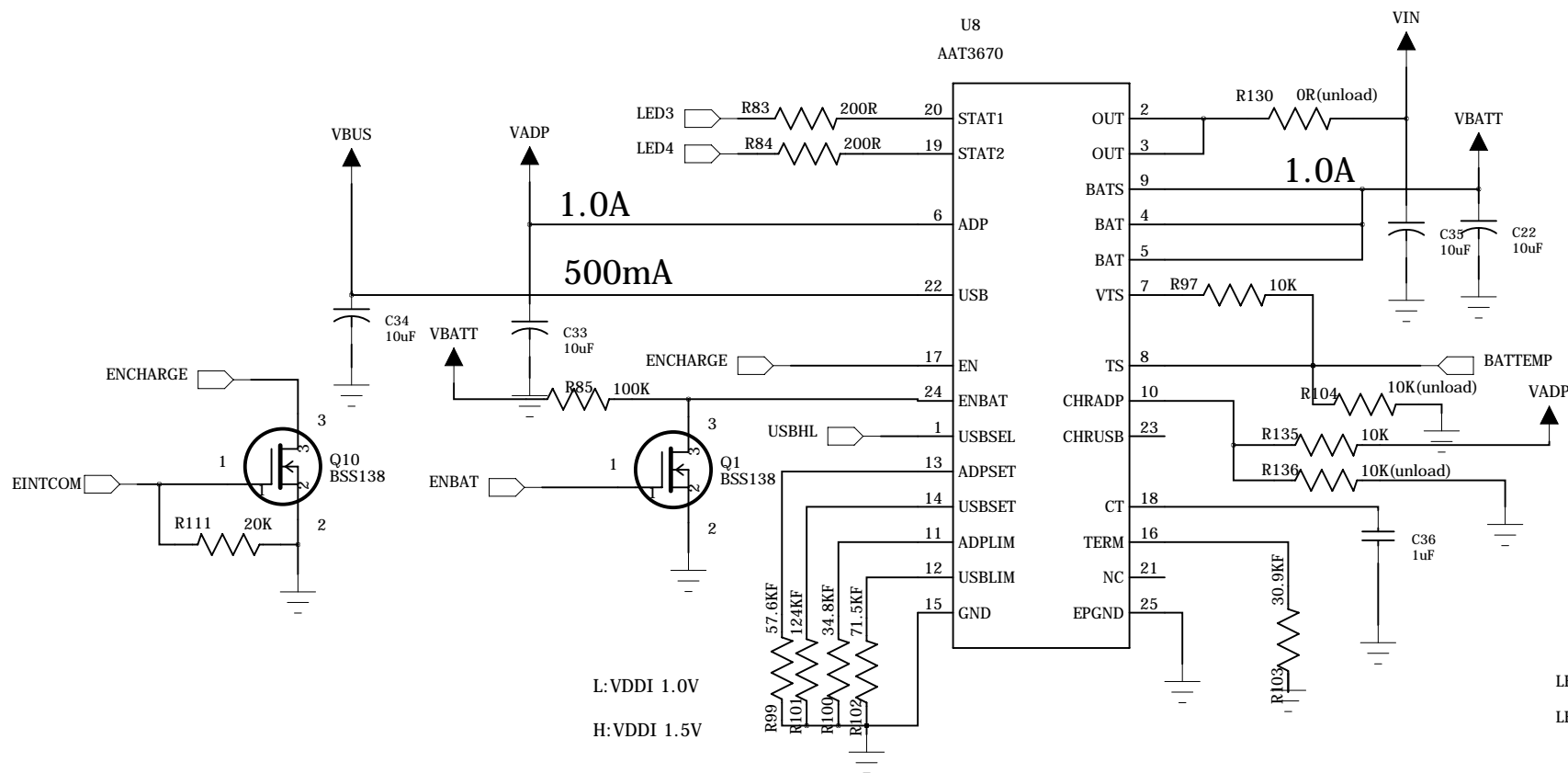
C

C



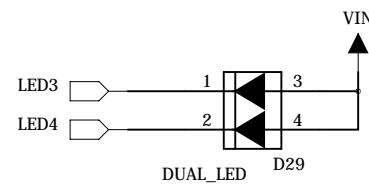
B

B

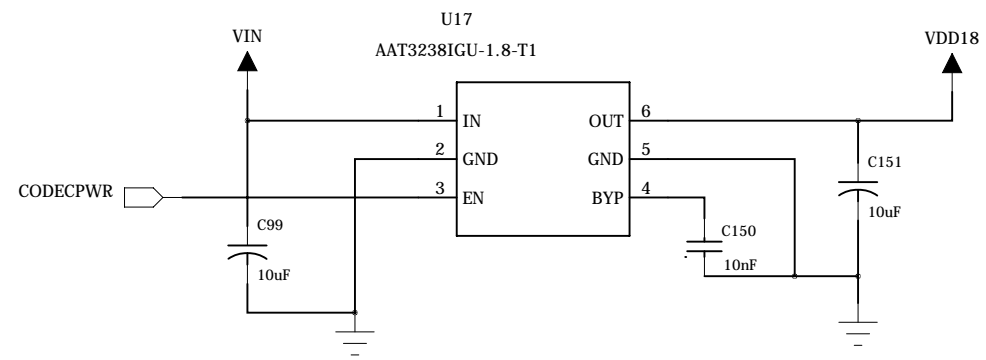


A

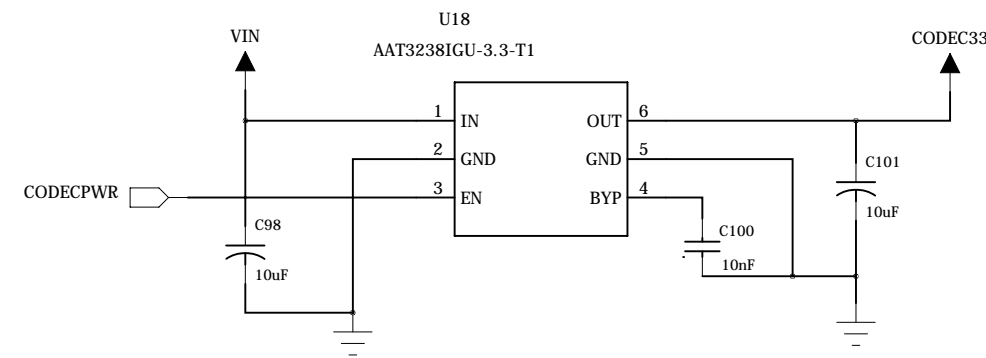
A



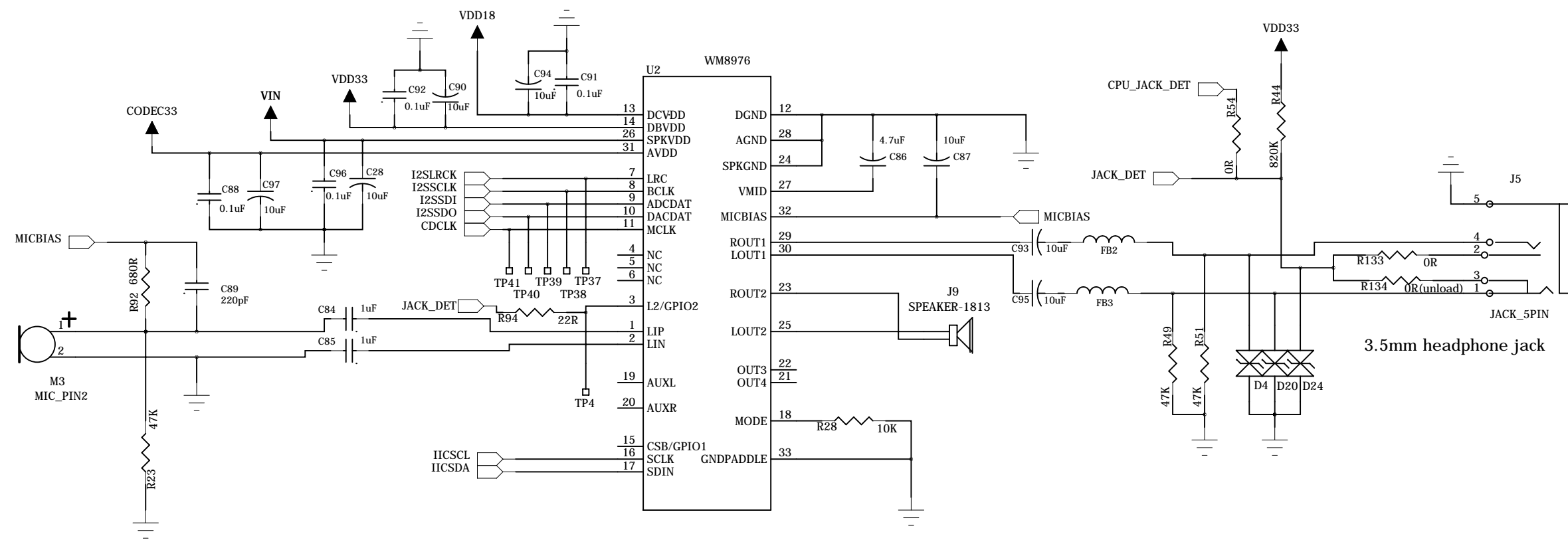
COMPANY: LAUNCH TECH Co.,LTD.		
TITLE: X-431 DIAGUN		
P/N:		REV: 1.3
Design by: YANLG	Checked by: XUWP	Approved by: YangYK
DATED: 20080829	DATED: 20080829	DATED: 20080829
SCALE: B	SIZE: A2	SHEET: 7 OF 10



LDO FOR CODEC VOLTAGE 1.8V



LDO FOR CODEC VOLTAGE 3.3V



COMPANY: LAUNCH TECH Co.,LTD.		
TITLE: X-431 DIAGUN		
P/N:		REV: 1.3
Design by: YANLG	Checked by: XUWP	Approved by: YangYK
DATED: 20080829	DATED: 20080829	DATED: 20080829
SCALE: B	SIZE: A2	SHEET: 8 OF 10

6

5

4

3

2

1

D

D

C

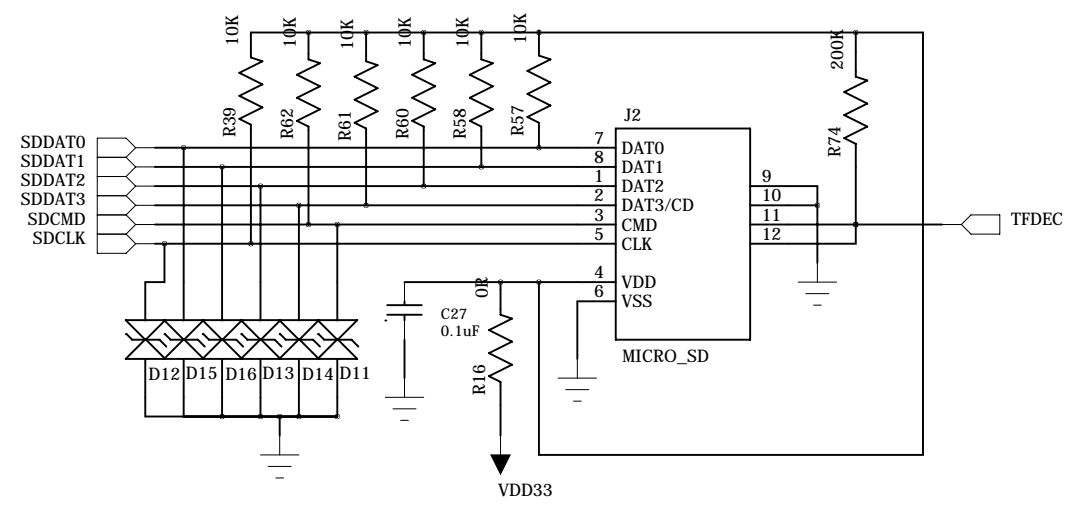
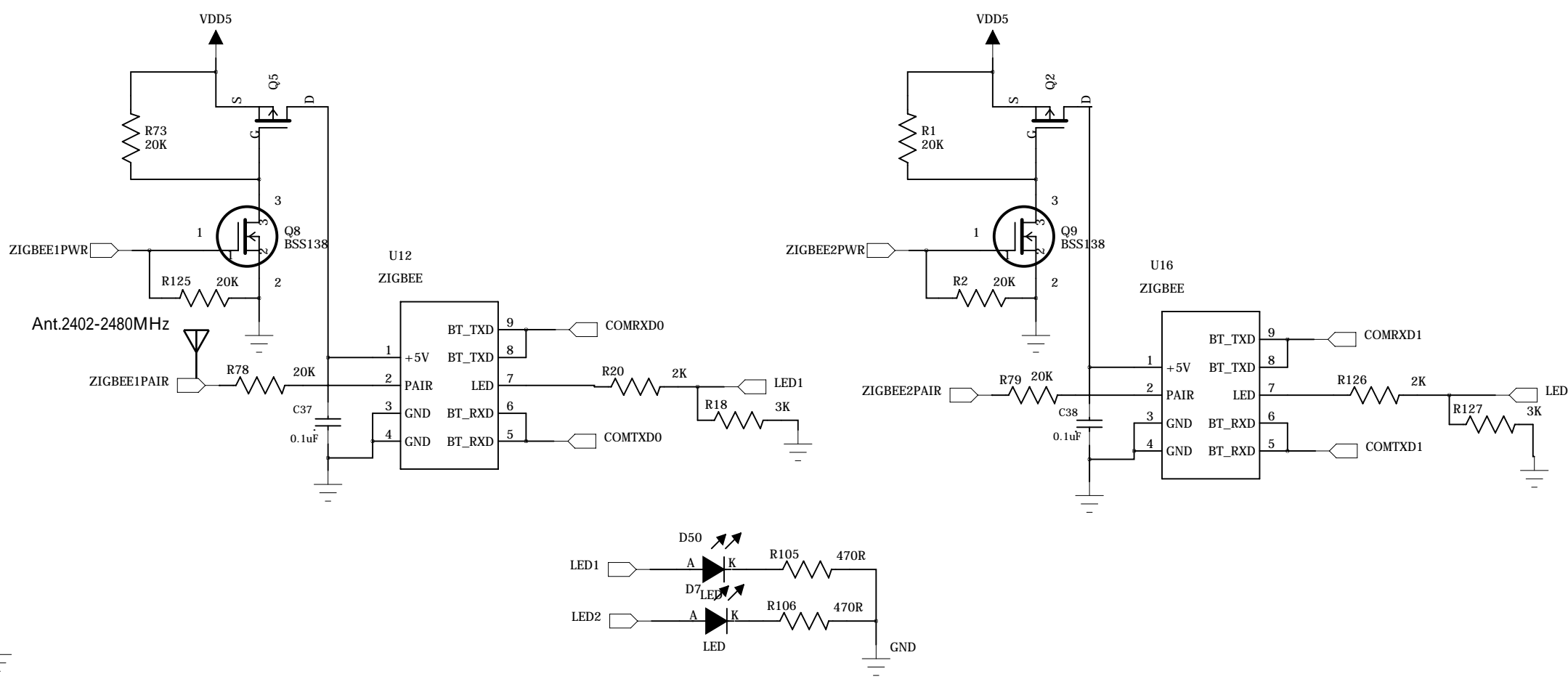
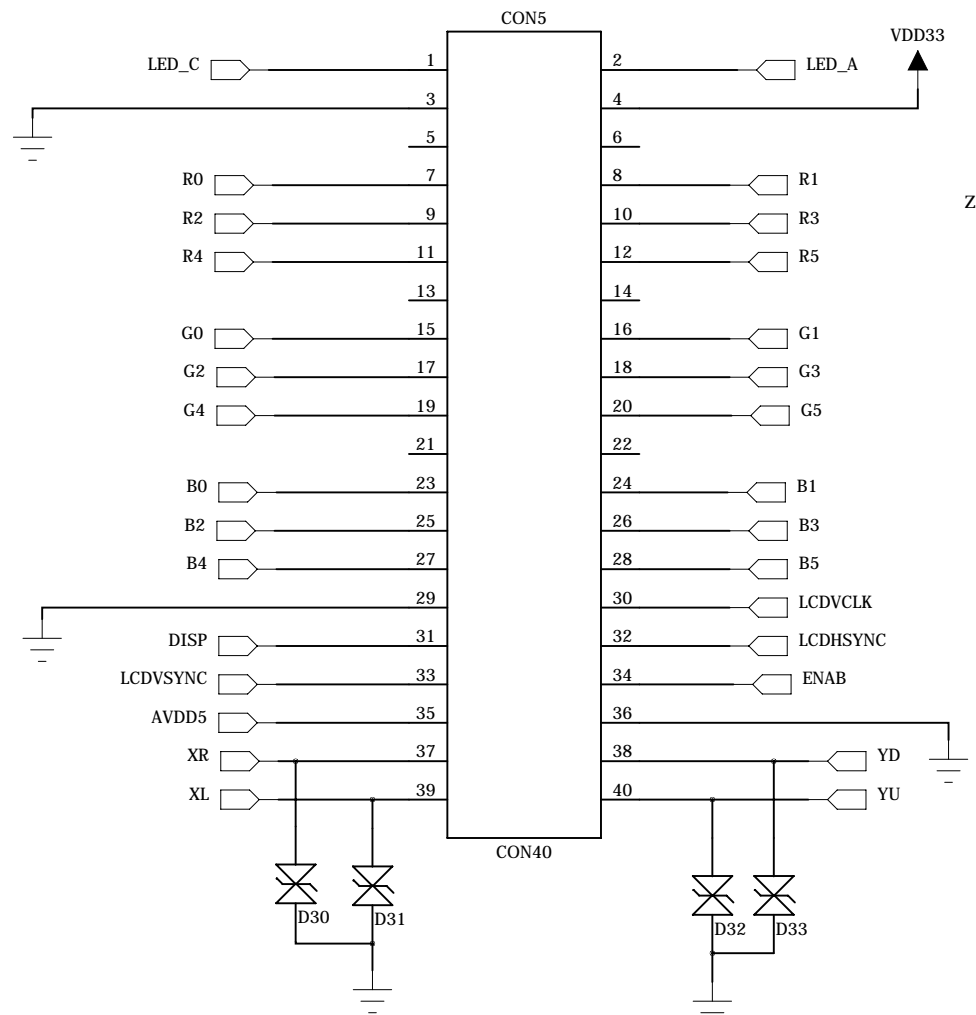
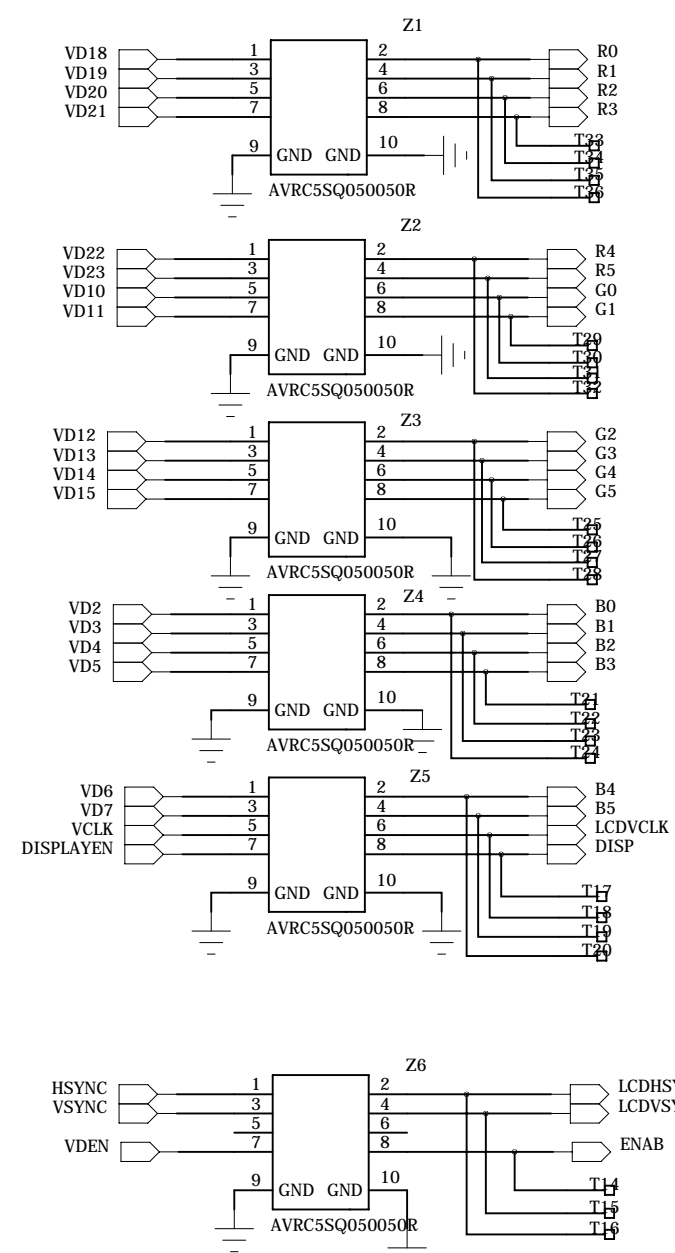
C

B

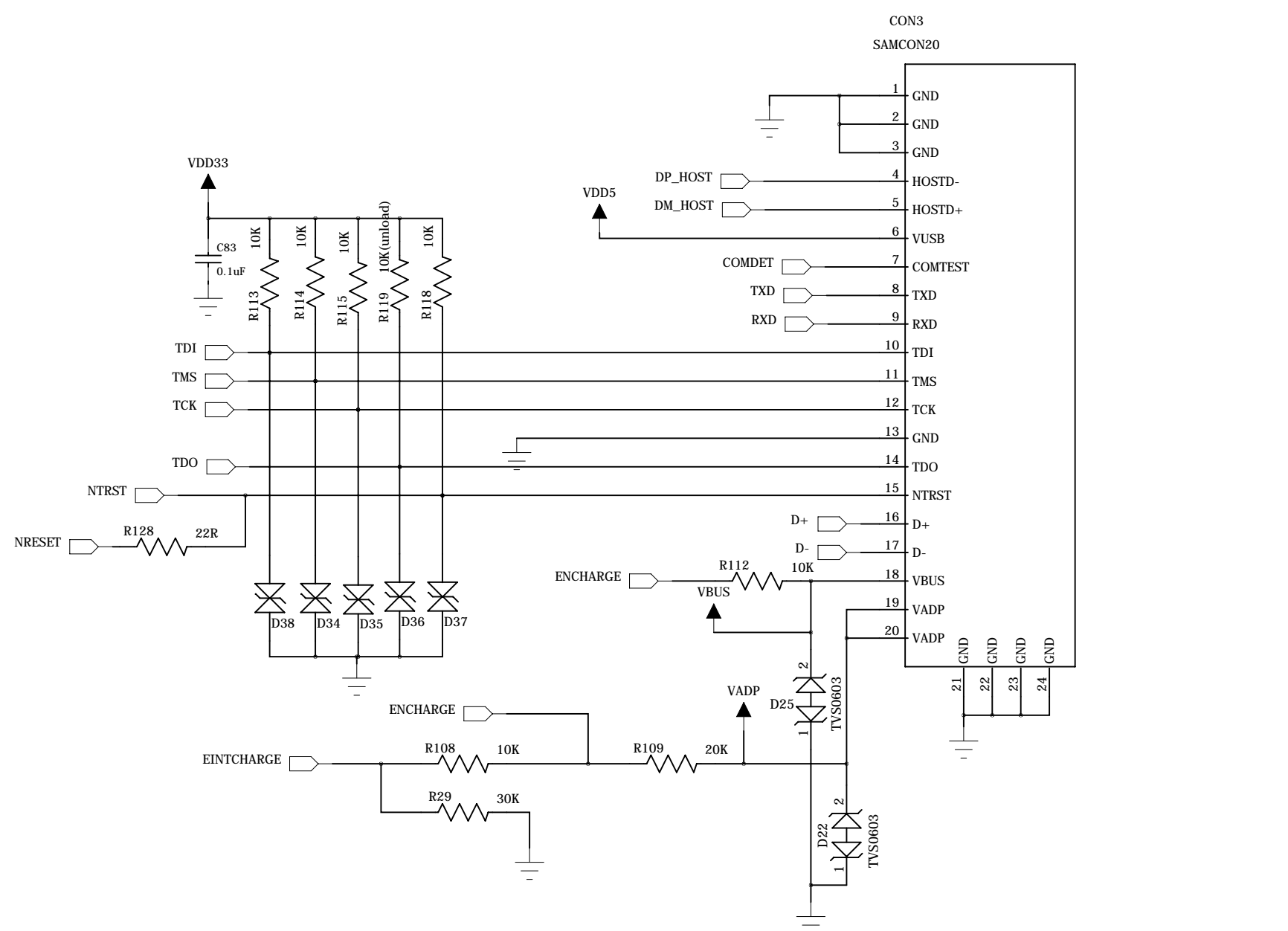
B

A

A



Micro SD



COMPANY: LAUNCH TECH Co.,LTD.		
TITLE: X-431 DIAGUN		
P/N:		REV: 1.3
Design by: YANLG	Checked by: XUWP	Approved by: YangYK
DATED: 20080829	DATED: 20080829	DATED: 20080829
SCALE: B	SIZE: A2	SHEET: 9 OF 10

6

5

4

3

2

1

D

D

C

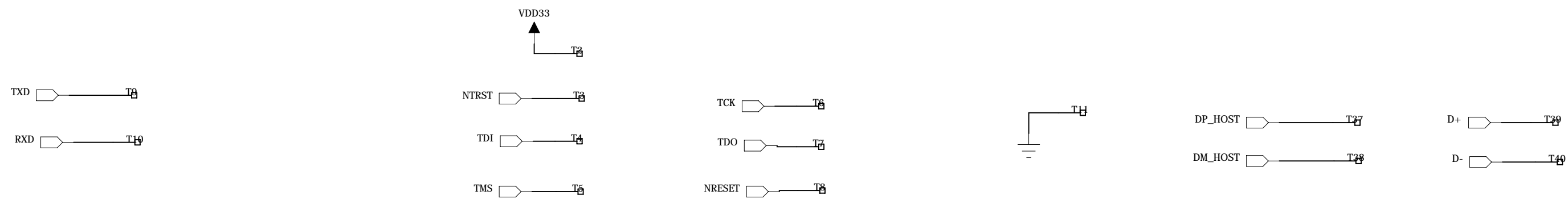
C

B

B

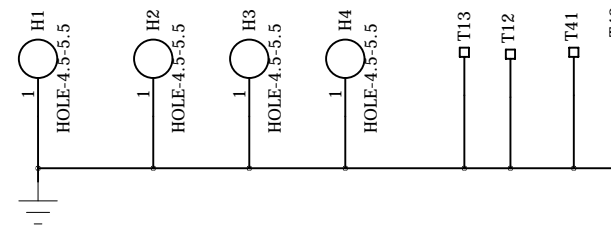
A

A



COM

JTAG



COMPANY: LAUNCH TECH Co.,LTD.		
TITLE: X-431 DIAGUN		
P/N:		REV: 1.3
Design by: YANLG	Checked by: XUWP	Approved by: YangYK
DATED: 20080829	DATED: 20080829	DATED: 20080829
SCALE: B	SIZE: A2	SHEET: 10 OF 10