

TRENDNET[®]



Quick Installation Guide
TEW-841APB0 (V1)

Table of Contents

1 English

1. Before You Start
2. Quick Reference
3. Basic Hardware Installation and Configuration (Basic Access Point Setup)
4. Hardware Setup and Configuration (WDS Access Point with Point to Point Bridge Setup)
5. Waterproof Kit Installation

26 Français

1. Avant de commencer
2. Référence rapides
3. Installation et configuration de base du matériel (Configuration de base des points d'accès)
4. Installation et configuration du matériel (Point d'accès WDS avec configuration point à point du pont)
5. Installation du kit étanche à l'eau

51 Español

1. Antes de iniciar
2. Referencia rápida
3. Instalación y configuración básica de hardware (configuración básica de puntos de acceso)
4. Instalación y configuración del hardware (Punto de acceso WDS con configuración de puente punto a punto)
5. Instalación de kit impermeable

1. Before You Start

Package Contents

- TEW-841APB0
- Quick Installation Guide
- 2 x Detachable 2.4GHz 5dBi antennas
- 2 x Detachable 5GHz 5dBi antennas
- IP67 weather rated cable gland
- Mounting Hardware

Minimum Requirements

- Computer with a network LAN port and web browser
- A network switch or router with an available network LAN PoE+ port or PoE+ injector
- Flat head screwdriver for pole mounting clamp
- RJ-45 network cables
- Additional TEW-841APB0 5 dBi Wireless AC1300 Outdoor PoE+ Omni-Directional Access Point (Optional for point to point bridging only)

Note:

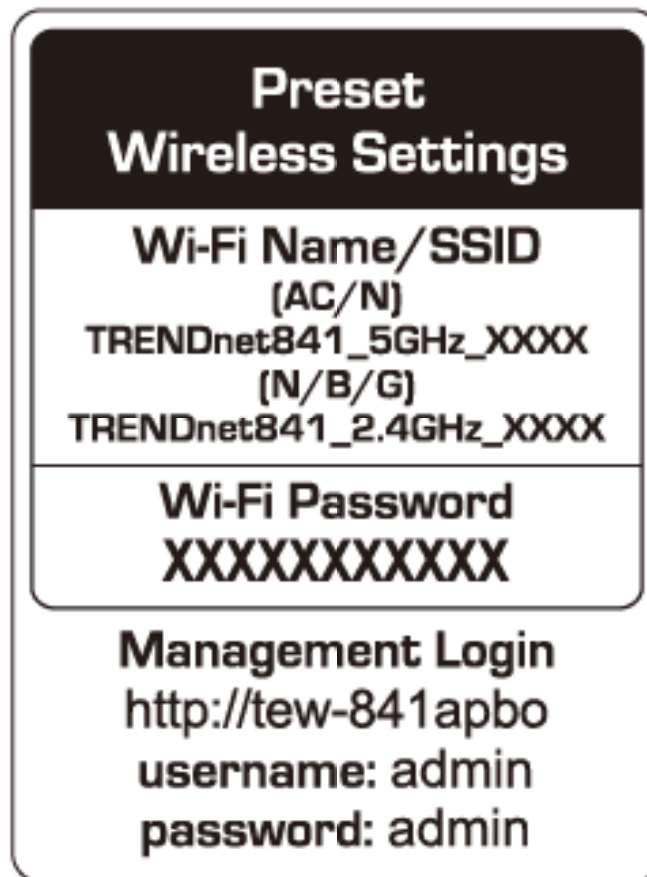
The access point complies with the IEEE 802.3at Power over Ethernet (PoE+) standard and can be used with other 802.3at PoE+ switches or PoE+ injectors to deliver both power and data to the access point through the network LAN (PoE) port.

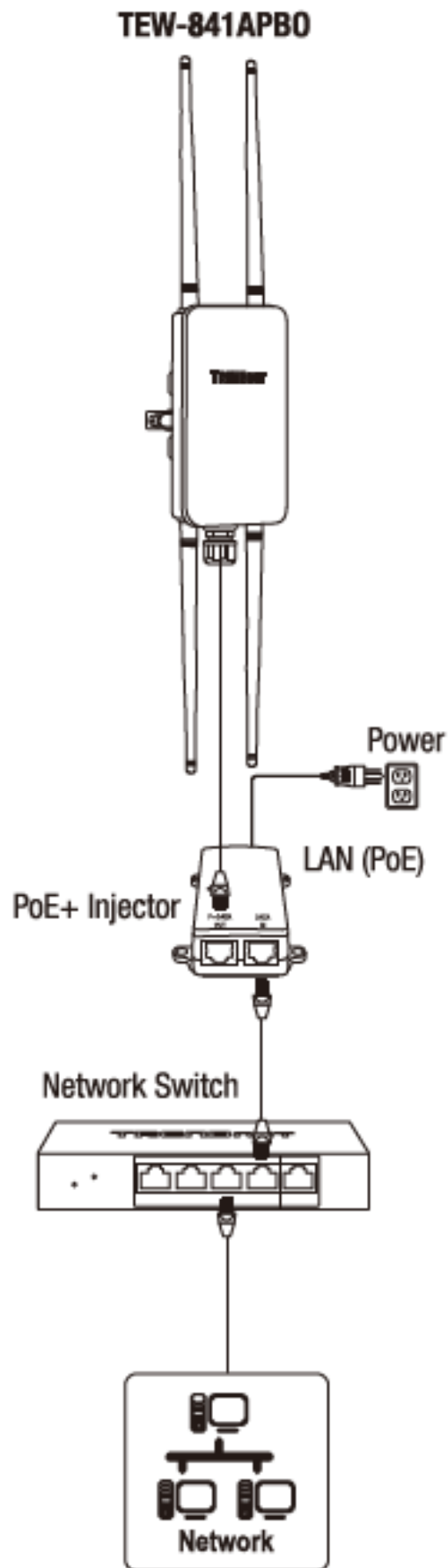
IMPORTANT NOTE: The device does not have a hardware reset button. When changing the administrator password to the access point configuration page, please make sure to write down your new password.

COMPATIBILITY NOTE: If you are establishing WDS bridge connections to TRENDnet TEW-740APB0 H/W: v2.0R outdoor access points, please make sure to upgrade the TEW-740APB0 H/W: v2.0R access points to firmware 2.10 or above for WDS compatibility with the TEW-841APB0.

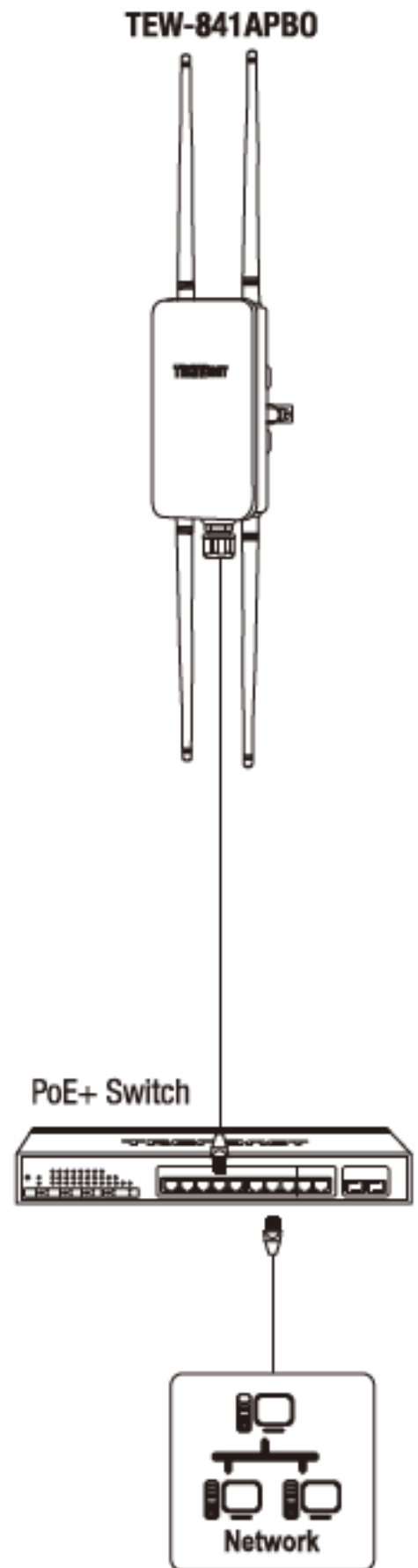
2. Quick Reference

Note: By default, the wireless network name/SSID and wireless encryption settings have been pre-configured for your convenience and can be located on the included preset wireless sticker. By default the access point web management configuration page can be accessed using the URL <http://tew-841apbo> or using the default LAN IP address <http://192.168.10.100>. At default settings and initial setup, if the access point is connected to a network with a DHCP server providing IP address settings automatically, the access point will obtain IP address settings from the network DHCP server and if no DHCP server is available, the access point will use the default IP address settings 192.168.10.100 / 255.255.255.0.

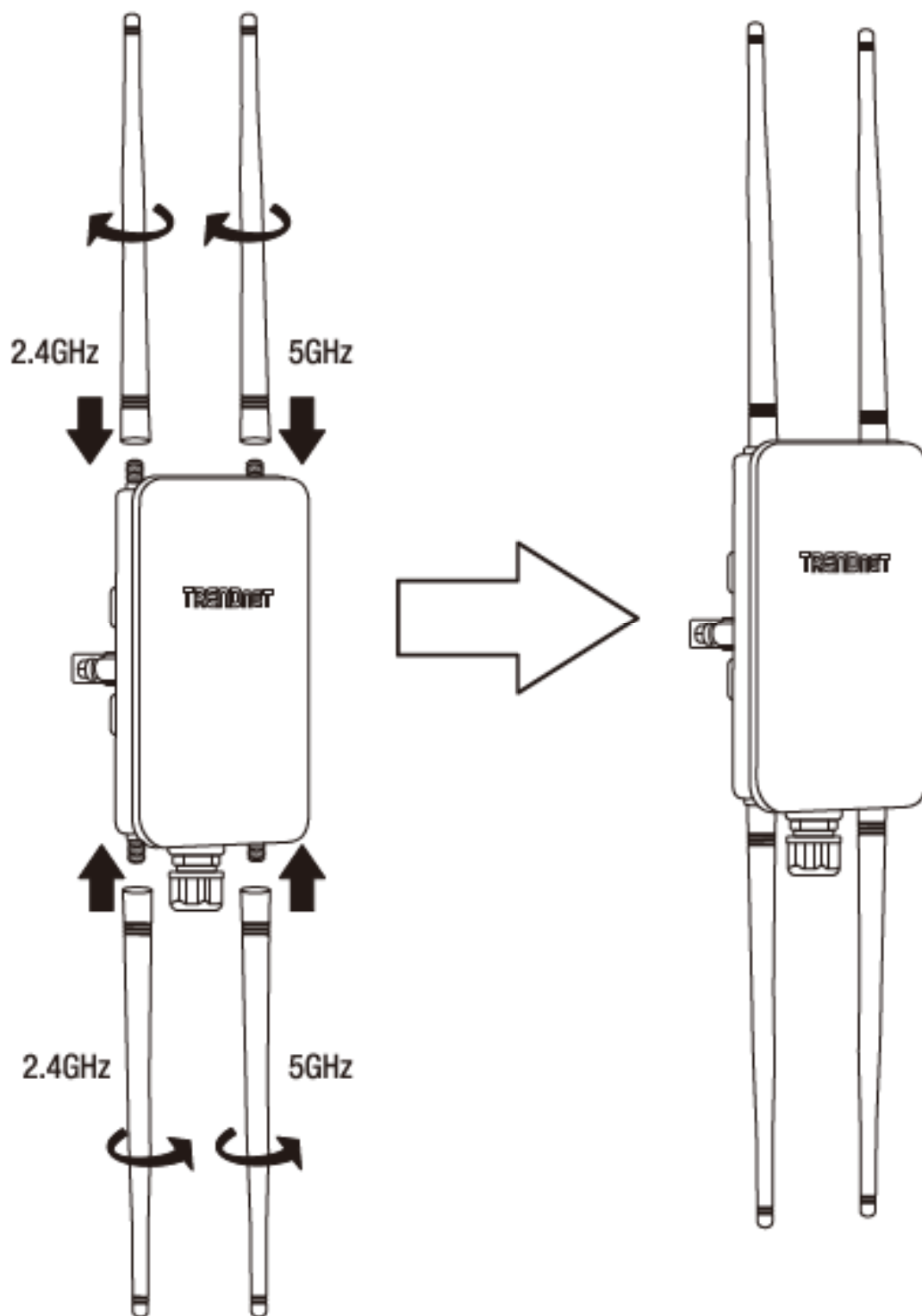




OR



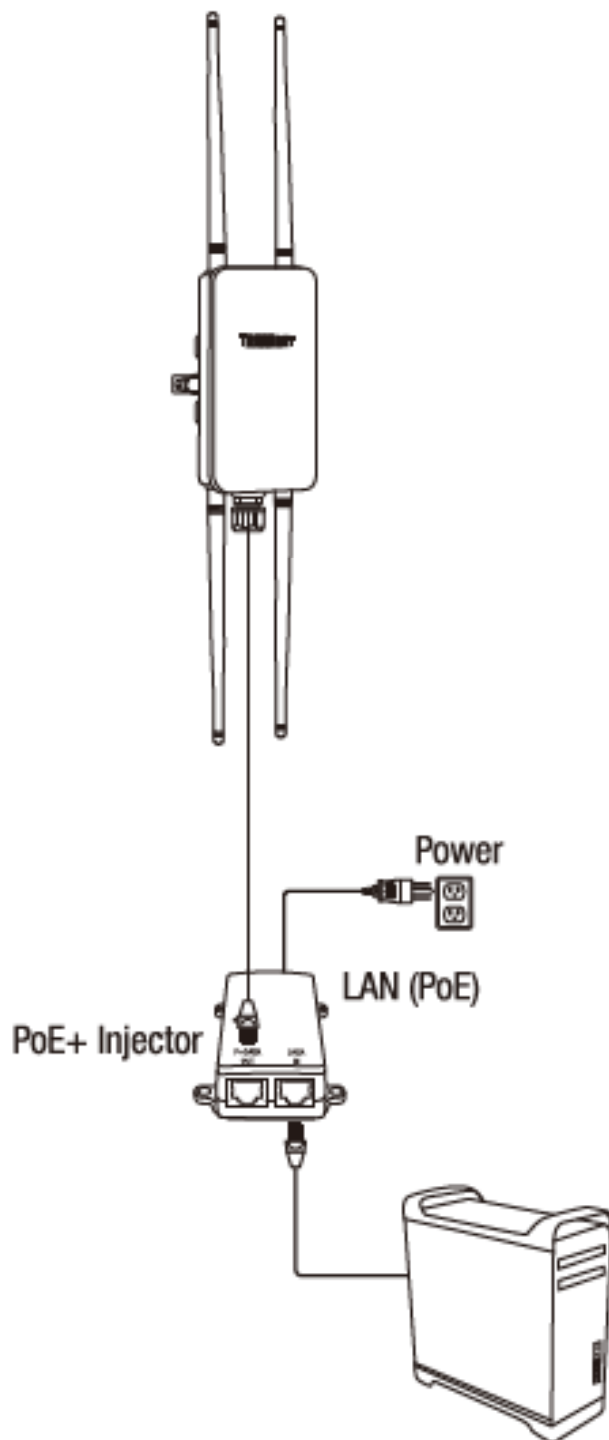
3. Basic Hardware Installation and Configuration (Basic Access Point Setup)



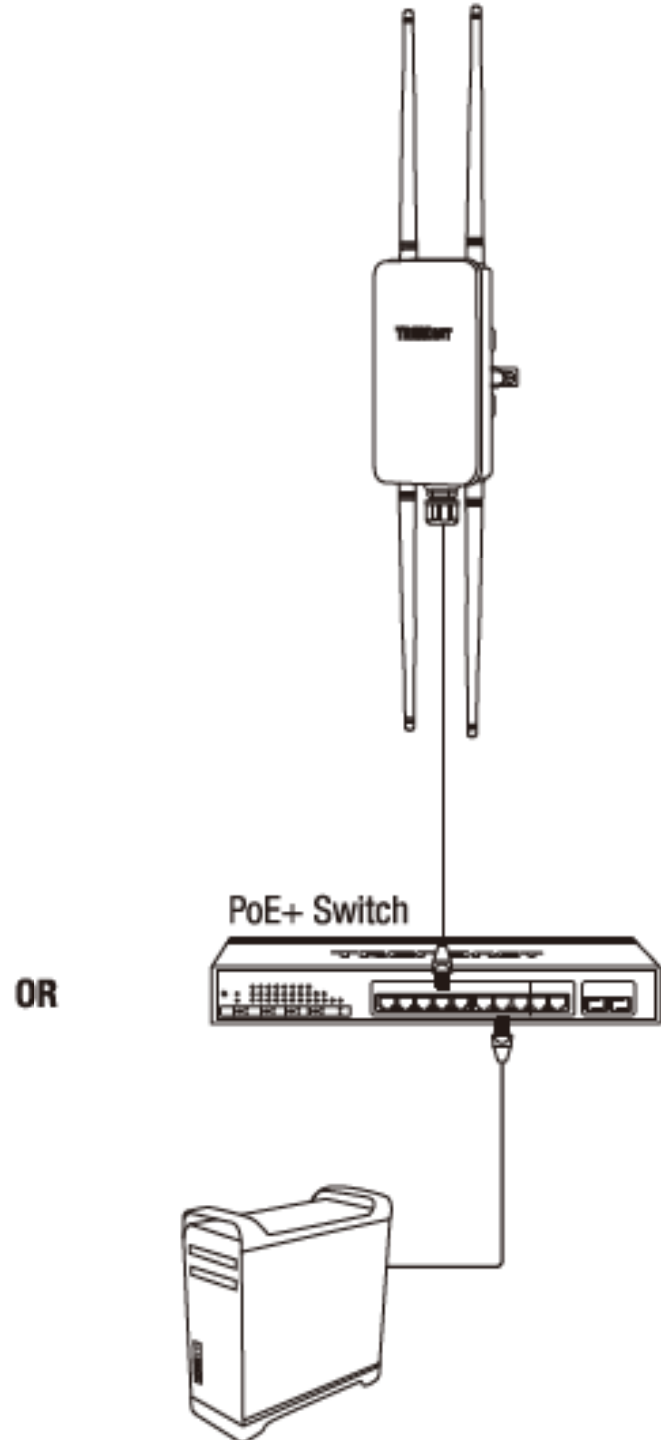
Note: It is strongly recommended to configure the access point first before mounting.

1. Connect a network cable from the LAN (PoE) port of your access point to the available LAN PoE+ port of your network PoE+ switch or PoE+ injector.
2. Using another network cable, connect one end to the network PoE+ switch or PoE+ injector and the other end of the network cable to the your computer's Ethernet port.

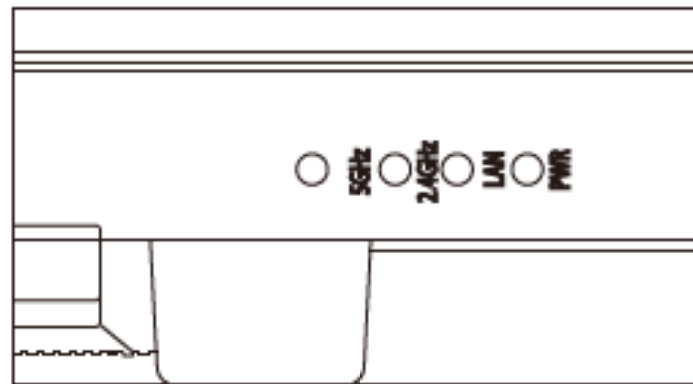
TEW-841APB0



TEW-841APB0



3. Confirm the device is powered on through the LED indicators.



4. Assign a static IP address to your computer's network adapter in the subnet of 192.168.10.x (e.g. 192.168.10.25) and subnet mask of 255.255.255.0.

Note: For more information on assigning a static IP address to your computer's network adapter, please refer to item Q1 in the last section of the installation guide, Installation Tips and Troubleshooting.

5. Open your web browser, type the default URL. Open your web browser, type the default URL <http://tew-841apbo> or default IP address <http://192.168.10.100> of the wireless access point in the address bar, and then press Enter. The default IP address is 192.168.10.100.

<http://tew-841apbo>

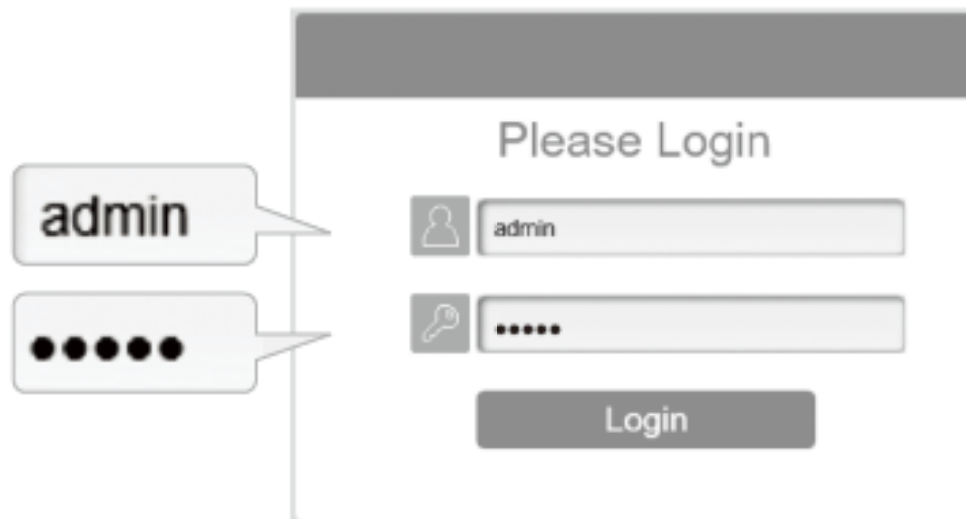
<http://192.168.10.100>

6. When prompted, login to the browser configuration page using the default user name and password settings.

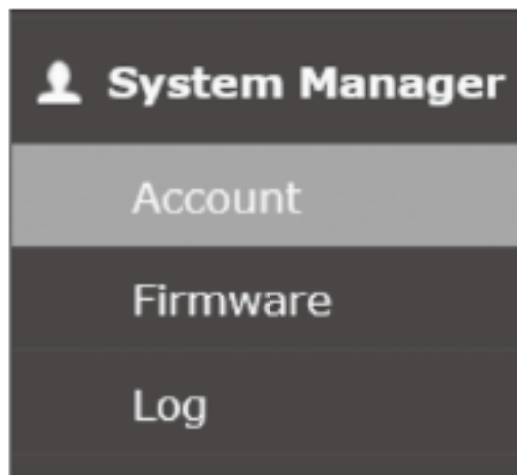
User Name: **admin**

Password: **admin**

Note: User Name and Password are case sensitive.



7. To change the administrator password used to access the wireless access point configuration page, in the left hand menu under **System Manager**, click on **Account**.



IMPORTANT NOTE: The device does not have a hardware reset button. When changing the administrator password to the access point configuration page, please make sure to write down your new password.

8. Under **Account Settings**, change the default administrator password by typing in the current password admin and your new password in the fields provided and then click the **Apply** button at the bottom of the page. You will be prompted to log back in with the new password settings.

Account Settings	
Administrator Username	admin
Current Password	***** <input type="text"/>
New Password	***** <input type="text"/>
Verify Password	***** <input type="text"/>

Apply

9. To configure your wireless network name/SSID and wireless encryption settings, under **Network**, click **Wireless**.

Note: By default, the wireless network name/SSID and wireless encryption has been preconfigured for your convenience and can be located on the included wireless sticker. If you are modifying the wireless settings, you will need to connect to the access point with your WiFi clients using the new settings.

10. To change the wireless network name/SSID, under the **Wireless Settings – Access Point** section, select which band you would like to configure (2.4GHz or 5GHz), and enter the new name in the **SSID** field. Click **Save** at the bottom of the page to temporarily save the settings.

Note: To permanently apply the configuration changes, you can click **Apply** at the prompt that appears at the bottom right corner of the page and wait for the device to commit the changes. If you are applying additional configuration changes, you can apply the temporary changes later on by clicking the **Changes** tab at the top right of the page and click **Apply** in the Configuration / Changes page.

Wireless Settings - Access Point				
Enabled	SSID	2.4GHz	5GHz	Edit
<input checked="" type="checkbox"/>	TRENDnet841_2.4GHz_85	<input checked="" type="checkbox"/>	<input type="checkbox"/>	<input type="button" value="Edit"/>
<input checked="" type="checkbox"/>	TRENDnet841_5GHz_855t	<input type="checkbox"/>	<input checked="" type="checkbox"/>	<input type="button" value="Edit"/>

11. To change the wireless encryption key for the selected wireless band, click **Edit**.

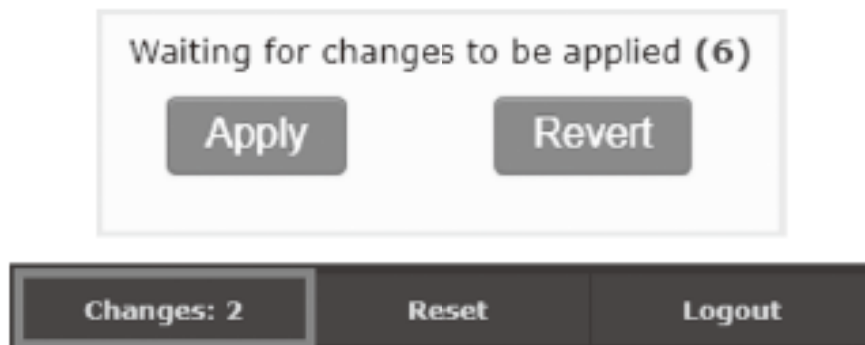
Wireless Settings - Access Point				
Enabled	SSID	2.4GHz	5GHz	Edit
<input checked="" type="checkbox"/>	TRENDnet841_2.4GHz_85	<input checked="" type="checkbox"/>	<input type="checkbox"/>	<input type="button" value="Edit"/>
<input checked="" type="checkbox"/>	TRENDnet841_5GHz_855t	<input type="checkbox"/>	<input checked="" type="checkbox"/>	<input type="button" value="Edit"/>

12. Under the **Wireless Security** section, enter the encryption key in the **Passphrase** field. Click **Save** at the bottom of the page to temporarily save the settings.

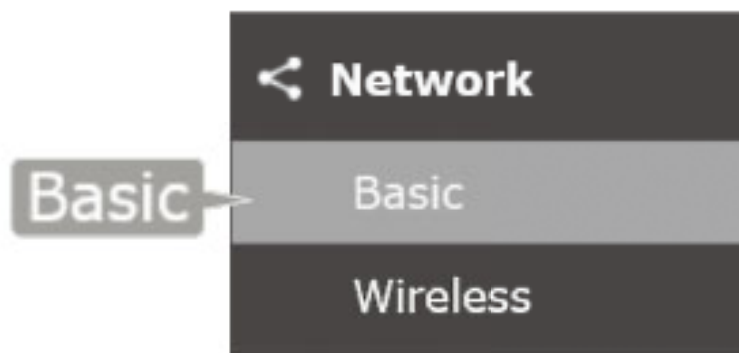
Note: To permanently apply the configuration changes, you can click **Apply** at the prompt that appears at the bottom right corner of the page and wait for the device to commit the changes. If you are apply additional configuration changes, you can apply the temporary changes later on by clicking the **Changes** tab at the top right of the page and click **Apply** in the Configuration / Changes page.

Wireless Security	
Security Mode	WPA2-PSK
Encryption	AES
Passphrase	841XXXXXXXX
Group Key Update Interval	3000 (30-3600; 0:Disable)

IMPORTANT NOTE: Configuration changes in the access point web management configuration are not applied until you permanently click **Apply** when the prompt appears or under the **Changes** tab at the top right of the page and click **Apply** in the Configuration / Changes page. The Changes tab will indicate the number of temporary configuration changes that are pending to be permanently applied. You can also click **Revert** to discard all of the temporary configuration changes.



13. To configure your access point LAN IP address settings, under **Network**, click **Basic**.



14. Under IPv4 Settings, select either **DHCP** (default setting) or **Static IP**. Selecting **DHCP** will set your access point to obtain IP address settings automatically from a DHCP server on your network and selecting **Static IP** will allow you to manually assign your access point IP address settings to meet the IP requirements of your network. If you select **Static IP**, enter the new IP address settings in the **IP Address**, **Subnet Mask**, **Gateway**, and **Primary/Secondary DNS Server** fields. After you have completed configuring the access point IP address settings, click **Save** at the bottom of the page to temporarily save the settings.

NOTE: To permanently apply the configuration changes, you can click **Apply** at the prompt that appears at the bottom right corner of the page and wait for the device to commit the changes. If you are applying additional configuration changes, you can apply the temporary changes later on by clicking the **Changes** tab at the top right of the page and click **Apply** in the Configuration/Changes page.

IPv4 Settings	
IP Network Setting	<input checked="" type="radio"/> DHCP <input type="radio"/> Static IP

IPv4 Settings	
IP Network Setting	<input type="radio"/> DHCP <input checked="" type="radio"/> Static IP
IP Address	<input type="text" value="192.168.10.100"/>
Subnet Mask	<input type="text" value="255.255.255.0"/>
Gateway	<input type="text" value="192.168.10.100"/>
Primary DNS	<input type="text" value="0.0.0.0"/>
Secondary DNS	<input type="text" value="0.0.0.0"/>

15. After you have completed the access point configuration, reconfigure your computer's network adapter back to the original settings to obtain IP address settings automatically using DHCP.

NOTE: For more information on reconfiguring your computer's adapter to obtain IP address settings automatically using DHCP, please refer to item Q2 in the last section of the installation guide, Installation Tips and Troubleshooting.

4. Hardware Setup and Configuration

(WDS Access Point with Point to Point Bridge Setup)

Note:

1. The initial configuration should be completed a testing environment with two TEW-841APB0 access points approximately 15 ft. (5 m) apart from one another with the front of the access points directly facing each other.
2. It is strongly recommended to configure and connect the access points before mounting.
3. In this example, we will configure the two access points to establish a WDS bridge using the 5GHz band.

Phase 1: Overview

In this installation guide, we will assume the following:

Router Settings

Default Gateway IP address: 192.168.10.1

Subnet Mask: 255.255.255.0

The TEW-841APB0 access points will be configured with the following settings:

TEW-841APB0 #1

IP Address: 192.168.10.50

Netmask (Subnet Mask): 255.255.255.0

Gateway (Default Gateway): 192.168.10.1

Primary DNS: 192.168.10.1

TEW-841APB0 #2

IP Address: 192.168.10.51

Netmask (Subnet Mask): 255.255.255.0

Gateway (Default Gateway): 192.168.10.1

Primary DNS: 192.168.10.1

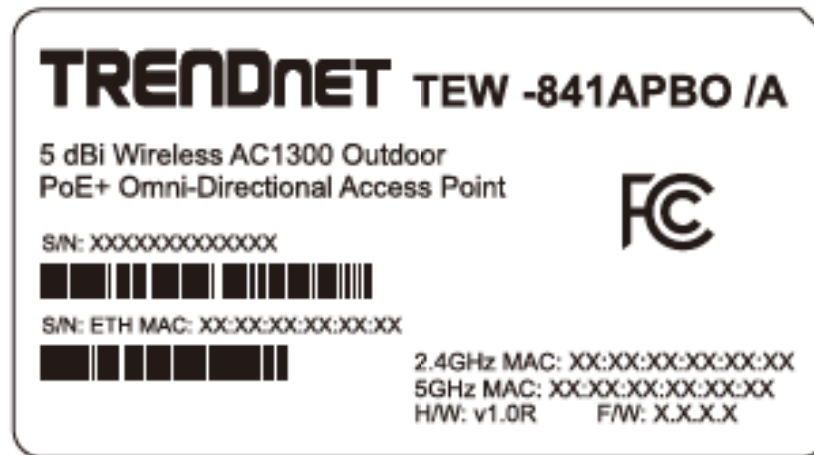
In this example, we will assume the access points use the following MAC addresses:

TEW-841APB0 #1 5GHz WiFi MAC Address: 00:11:22:33:44:00

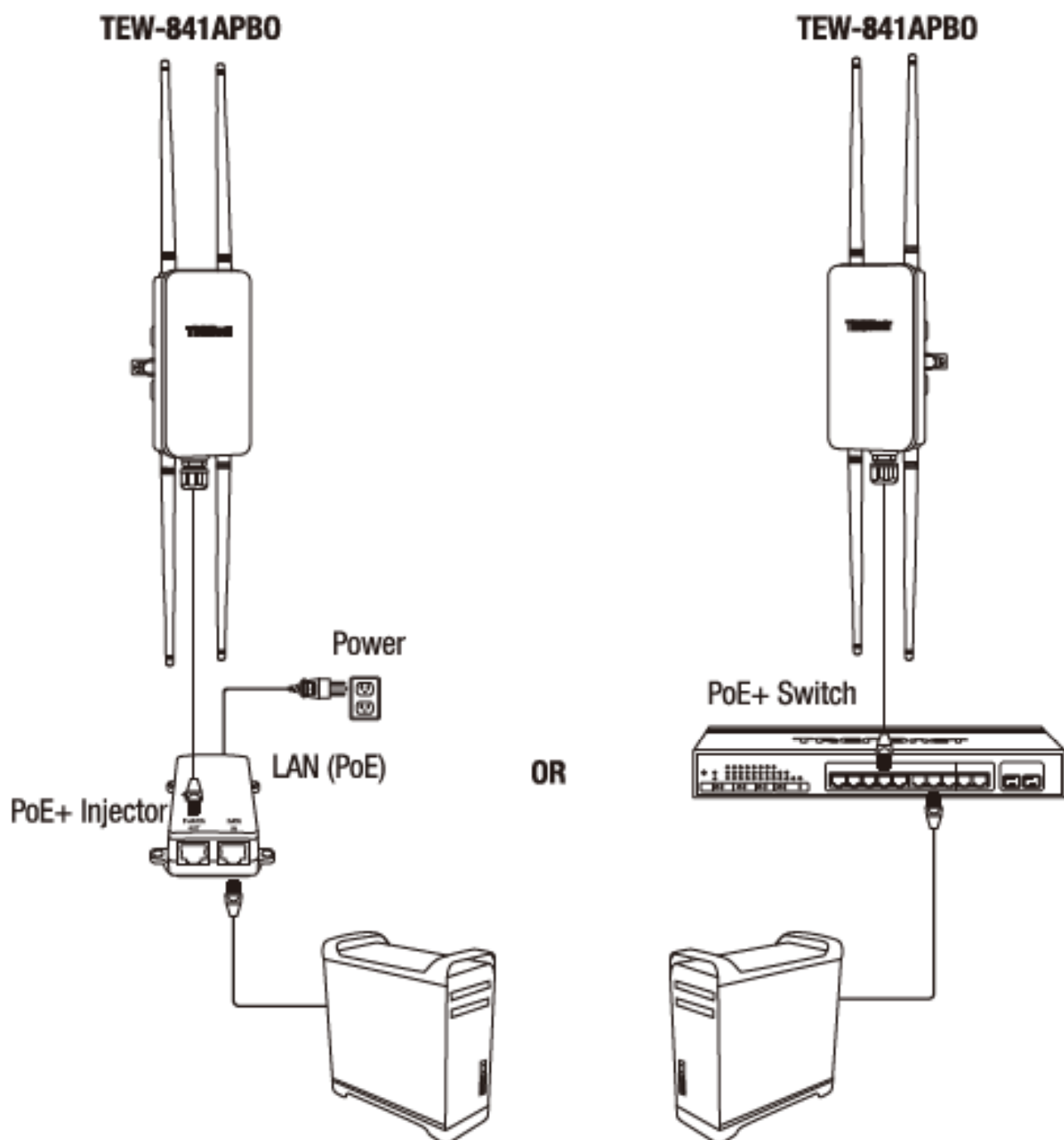
TEW-841APB0 #2 5GHz WiFi MAC Address: 00:11:22:33:44:11

Phase 2: TEW-841APBO #1 Hardware Setup and Configuration

1. Write down the WiFi MAC address (5GHz MAC) of both the TEW-841APBO #1 and TEW-841APBO #2 access points located on the device label as shown below.



2. Connect a network cable from the LAN (PoE) port of your access point to the available LAN PoE+ port of your network PoE+ switch or PoE+ injector.
3. Using another network cable, connect one end to the network PoE+ switch or PoE+ injector and the other end of the network cable to the your computer's Ethernet port.



4. Assign a static IP address to your computer's network adapter in the subnet of 192.168.10.x (e.g. 192.168.10.10) and subnet mask of 255.255.255.0.
5. Open your web browser and type the IP address of the access point in the address bar, then press Enter. The default IP address is 192.168.10.100.

Note: If you changed the IP address of the access point in the previous section, Section 3: Basic Hardware Installation and Configuration (Basic Access Point Setup), you will need use the new IP address you assigned.

6. Open your web browser and type the IP address of the access point in the address bar, then press **Enter**. The default IP address is 192.168.10.100.

Note: If you changed the IP address of the access point in the previous section, Section 3: Basic Hardware Installation and Configuration (Basic Access Point Setup), you will need use the new IP address you assigned.



7. When prompted, login to the browser configuration page. The default user name and password **admin**.

Note: User Name and Password are case sensitive. If you changed the admin password of the access point in the previous section, Section 3: Basic Hardware Installation and Configuration (Basic Access Point Setup), you will need use the new password you assigned.



8. To configure your access point LAN IP address settings, under **Network**, click **Basic**.

9. Under IPv4 Settings, select **Static IP** and enter the IP address **192.168.10.50**, Subnet Mask **255.255.255.0**, Gateway **192.168.10.1**, and Primary DNS 192.168.10.1. After you have completed configuring the access point IP address settings, click **Save** at the bottom of the page to temporarily save the settings.

Note: To permanently apply the configuration changes, you can click **Apply** at the prompt that appears at the bottom right corner of the page and wait for the device to commit the changes. If you are applying additional configuration changes, you can apply the temporary changes later on by clicking the **Changes** tab at the top right of the page and click **Apply** in the Configuration / Changes page.

Note: When configuring TEW-841APBO #2 IP address settings, enter the IP Address 192.168.10.51 and the same Subnet Mask, Gateway, and Primary DNS settings.

IPv4 Settings

IP Network Setting	<input checked="" type="radio"/> DHCP <input type="radio"/> Static IP
IP Network Setting	<input type="radio"/> DHCP <input checked="" type="radio"/> Static IP
IP Address	192.168.10.50
Subnet Mask	255.255.255.0
Gateway	192.168.10.1
Primary DNS	192.168.10.1
Secondary DNS	0.0.0.0

IMPORTANT NOTE: Configuration changes in the access point web management configuration are not applied until you permanently click **Apply** when the prompt appears or under the **Changes** tab at the top right of the page and click **Apply** in the Configuration / Changes page. The Changes tab will indicate the number of temporary configuration changes that are pending to be permanently applied. You can also click **Revert** to discard all of the temporary configuration changes.

Waiting for changes to be applied (6)

Apply
Revert

Changes: 2
Reset
Logout

10. To configure the wireless WDS bridge settings, under **Network**, click **Wireless**.



11. Under **5GHz**, click the **Operation Mode** drop-down list and select **WDS Access Point**.

	2.4GHz	5GHz
Operation Mode	Access Point ▾	WDS Access Point ▾
Wireless Mode	802.11 B/G/N ▾	802.11 AC/N ▾
Channel HT Mode	20MHz ▾	80MHz/AC Only ▾

12. Next to **Channel**, click **Configuration** and under the **5GHz** section, make sure channel **48** is selected and click **Save** at the bottom of the page.

Note: When configuring TEW-841APB0 #2, the 5GHz wireless channel must be the same as TEW-841APB0 #1.

Channel
Configuration

5GHz

All

None

U-NII-1

U-NII-3

Ch 36 : 5.180 GHz	Ch 40 : 5.200 GHz
Ch 44 : 5.220 GHz	Ch 48 : 5.240 GHz
Ch149 : 5.745 GHz	Ch153 : 5.765 GHz
Ch157 : 5.785 GHz	Ch161 : 5.805 GHz

13. Under **WDS Link Settings – 5GHz**, click the **Security** drop-down list and select **AES**. Enter al WDS encryption key in the **AES Passphrase** field (8-63 alphanumeric characters).

Note: When configuring TEW-841APBO #2, the WDS AES Passphrase must be the same TEW-841APBO #1.

WDS Link Settings - 5GHz

Security	AES
AES Passphrase	XXXXXXXX (8-63 ASCII characters or 64 hexadecimal digits)

14. Under the **MAC Address** section, click the **Mode** drop-down list and select **Enable**. In the fields provided, enter the 5GHz WiFi MAC address of TEW-841APBO #2 and click **Save** at the bottom of the page.

Note: To permanently apply the configuration changes, you can click **Apply** at the prompt that appears at the bottom right corner of the page and wait for the device to commit the changes. If you are applying additional configuration changes, you can apply the temporary changes later on by clicking the **Changes** tab at the top right of the page and click **Apply** in the Configuration / Changes page.

MAC Address: 00 : 11 : 22 : 33 : 44 : 11 Mode: Enable

Waiting for changes to be applied (6)

Apply **Revert**

Changes: 2 **Reset** **Logout**

Phase 3: TEW-841APBO Unit #2 Hardware Setup and Configuration

When configuring TEW-841APBO #2, repeat all of the steps in Phase 2 setup and configuration.

1. In Step 9, under IPv4 Settings, select **Static IP** and enter the IP address **192.168.10.51**, Subnet Mask **255.255.255.0**, Gateway **192.168.10.1**, and Primary DNS **192.168.10.1**. After you have completed configuring the access point IP address settings, click **Save** at the bottom of the page to temporarily save the settings.

Note: To permanently apply the configuration changes, you can click **Apply** at the prompt that appears at the bottom right corner of the page and wait for the device to commit the changes. If you are applying additional configuration changes, you can apply the temporary changes later on by clicking the **Changes** tab at the top right of the page and click **Apply** in the Configuration / Changes page.

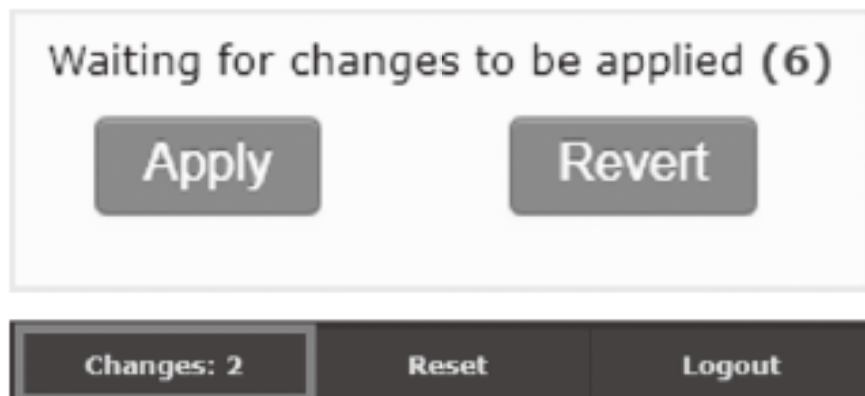
IPv4 Settings	
IP Network Setting	<input type="radio"/> DHCP <input checked="" type="radio"/> Static IP
IP Address	<input type="text" value="192.168.10.51"/>
Subnet Mask	<input type="text" value="255.255.255.0"/>
Gateway	<input type="text" value="192.168.10.1"/>
Primary DNS	<input type="text" value="192.168.10.1"/>
Secondary DNS	<input type="text" value="0.0.0.0"/>

2. In Step 14, under the **MAC Address** section, click the **Mode** drop-down list and select **Enable**. In the fields provided, enter the 5GHz WiFi MAC address of TEW-841APBO #1 and click **Save** at the bottom of the page.

Note: To permanently apply the configuration changes, you can click **Apply** at the prompt that appears at the bottom right corner of the page and wait for the device to commit the changes. If you are applying additional configuration changes, you can apply the temporary changes later on by clicking the **Changes** tab at the top right of the page and click **Apply** in the Configuration / Changes page.

MAC Address						Mode
<input type="text" value="00"/>	<input type="text" value="11"/>	<input type="text" value="22"/>	<input type="text" value="33"/>	<input type="text" value="44"/>	<input type="text" value="00"/>	<input type="text" value="Enable"/>

IMPORTANT NOTE: Configuration changes in the access point web management configuration are not applied until you permanently click **Apply** when the prompt appears or under the **Changes** tab at the top right of the page and click **Apply** in the Configuration / Changes page. The Changes tab will indicate the number of temporary configuration changes that are pending to be permanently applied. You can also click **Revert** to discard all of the temporary configuration changes.

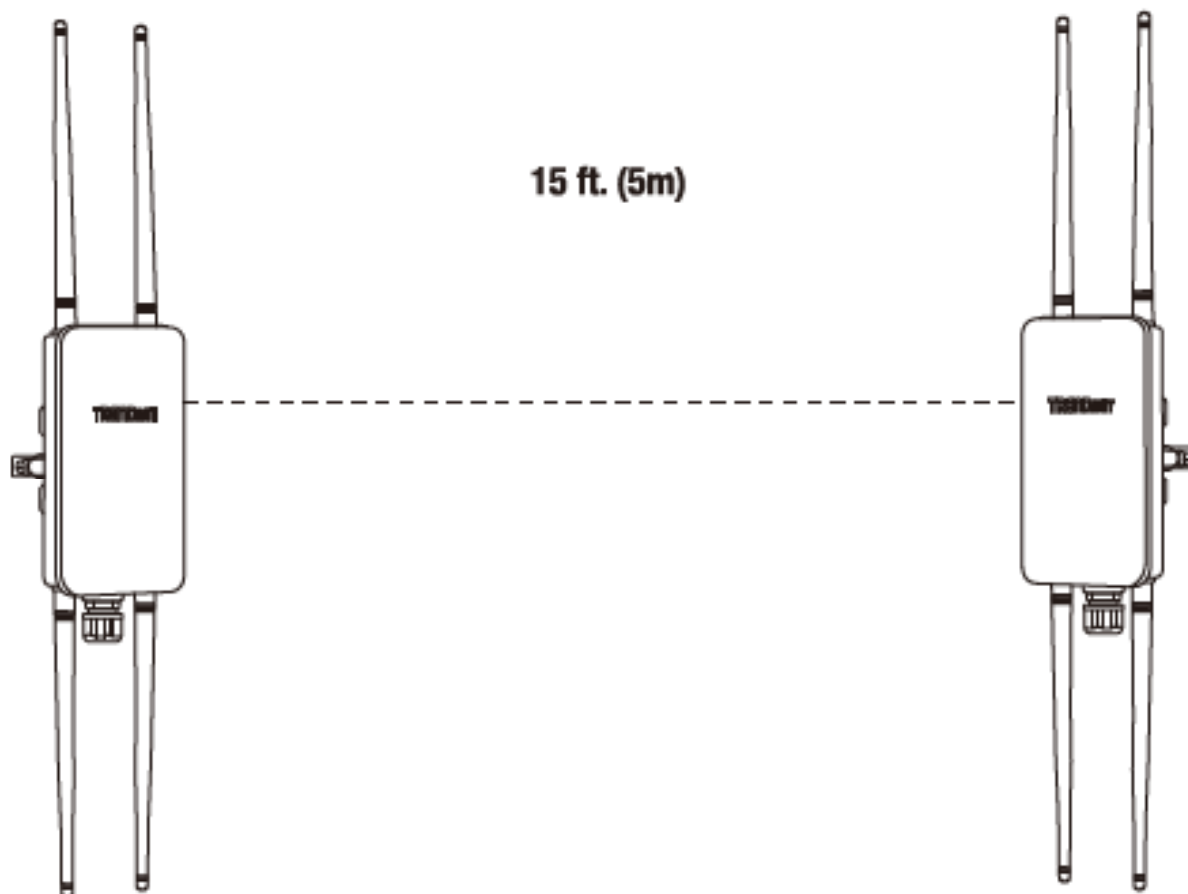


Phase 4: Confirm Connectivity

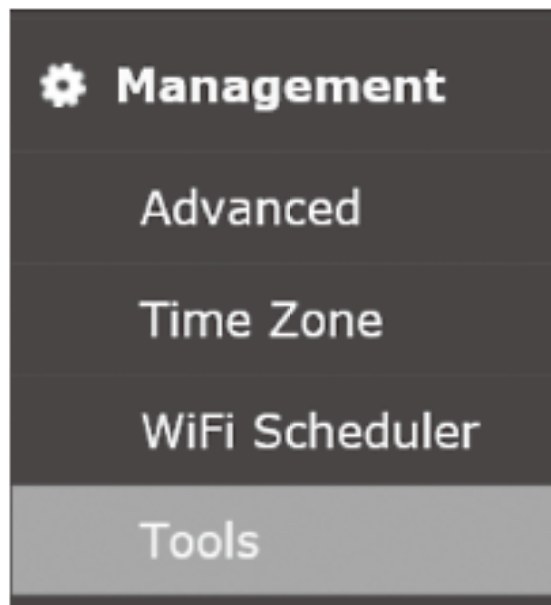
1. Leave your computer connected to TEW-841APBO #2 and keep the access point configuration page open.
2. Make sure both TEW-841APBO #1 and TEW-841APBO #2 access point are powered on approximately 15 ft. (5 m) apart from one another.

TEW-841APBO #1

TEW-841APBO #2



3. To verify connectivity, in the TEW-841APBO #2 access point configuration page, under **Management**, click on Tools and click on **Ping**.



4. In the **Target IP / Domain Name** field, enter the IP address of the TEW-841APBO #1 access point, 192.168.10.50, then click **Start**.

Ping Test Parameters

Target IP / Domain Name	<input type="text" value="192.168.10.50"/>	
Ping Packet Size	<input type="text" value="64"/>	Bytes
Number of Pings	<input type="text" value="4"/>	
<input type="button" value="Start"/>		

5. Ping replies and 0% packet loss will indicate a successful point to point bridge connection between the TEW-841APBO #1 and #2 access points.

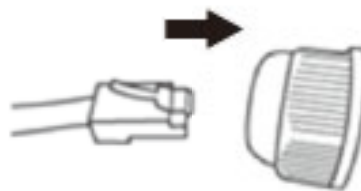
Note: If the connectivity test fails, wait for about a minute and try again. Make sure there are no obstacles between the two access point when running the connectivity test and make sure the two access point are not too close together.

5. Waterproof Kit Installation

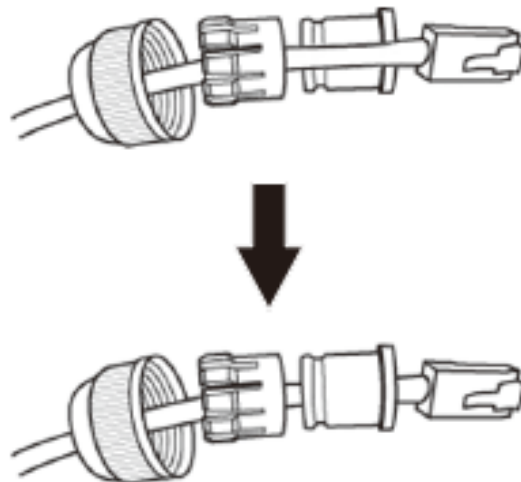
1. Unscrew the sealing nut from the main body.
2. Separate the rubber seal from the claw.
3. Verify that you have the following parts:



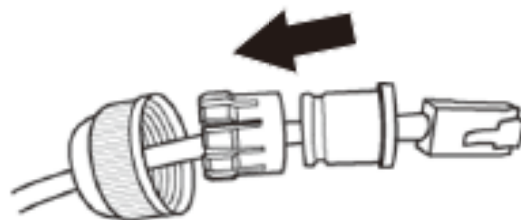
4. Insert one end of an Ethernet cable into the sealing nut.



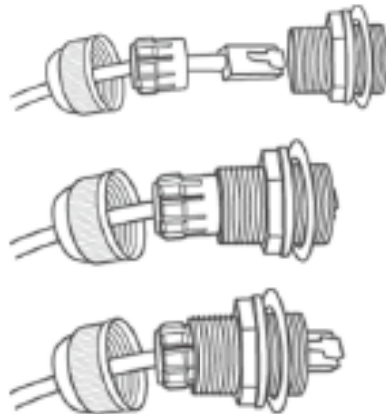
5. Insert the Ethernet cable into the seal.



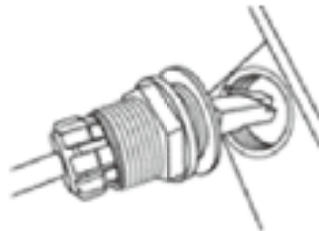
6. Insert the seal into the claw.



7. Insert the seal/rubber claw into the Cable Gland.



8. Connect the Ethernet cable to the LAN (PoE) port on the bottom of the access point.



9. By hand, screw the main body counter clockwise to secure it to the access point.



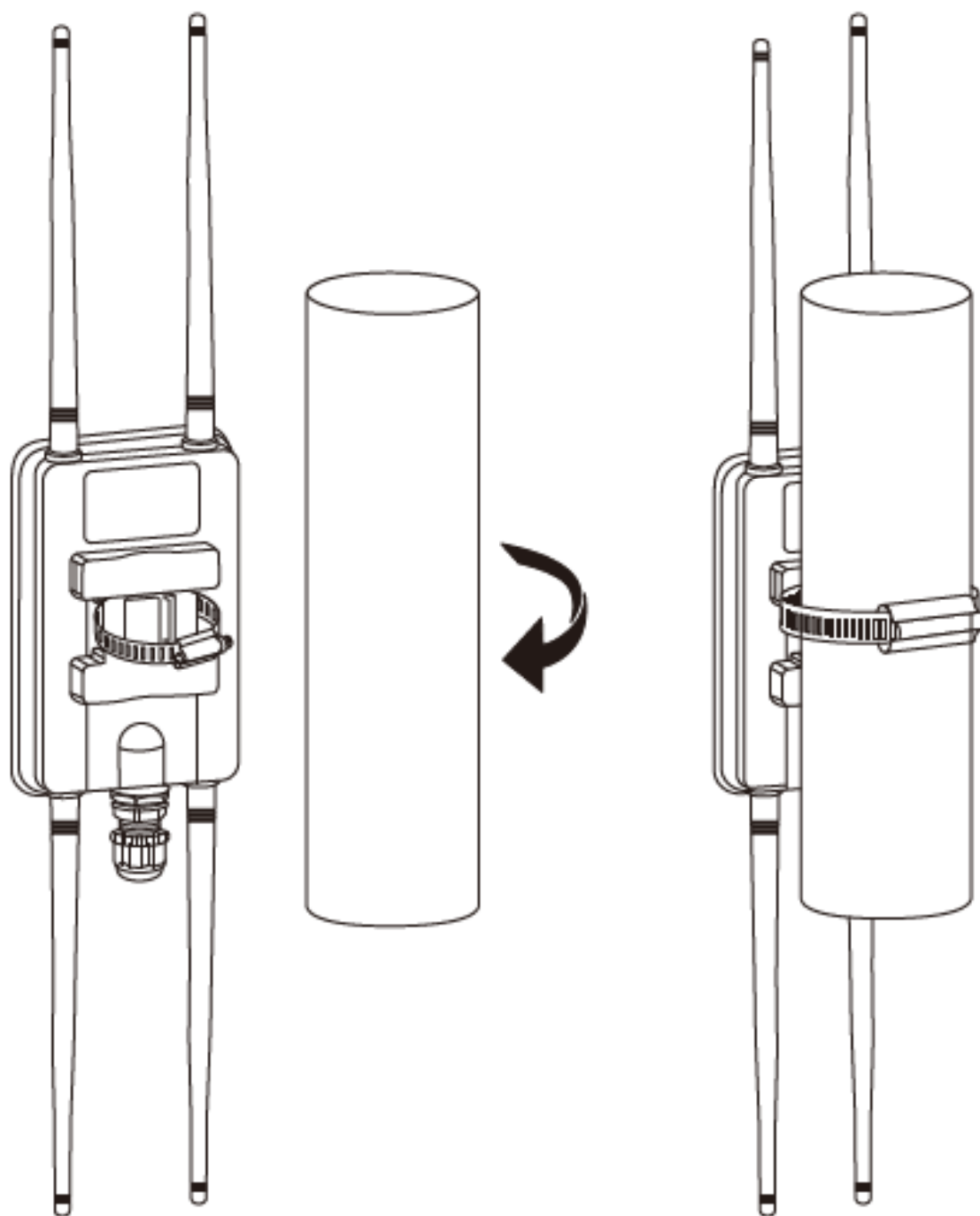
10. By hand, screw the seal nut clockwise to secure it to the main body.



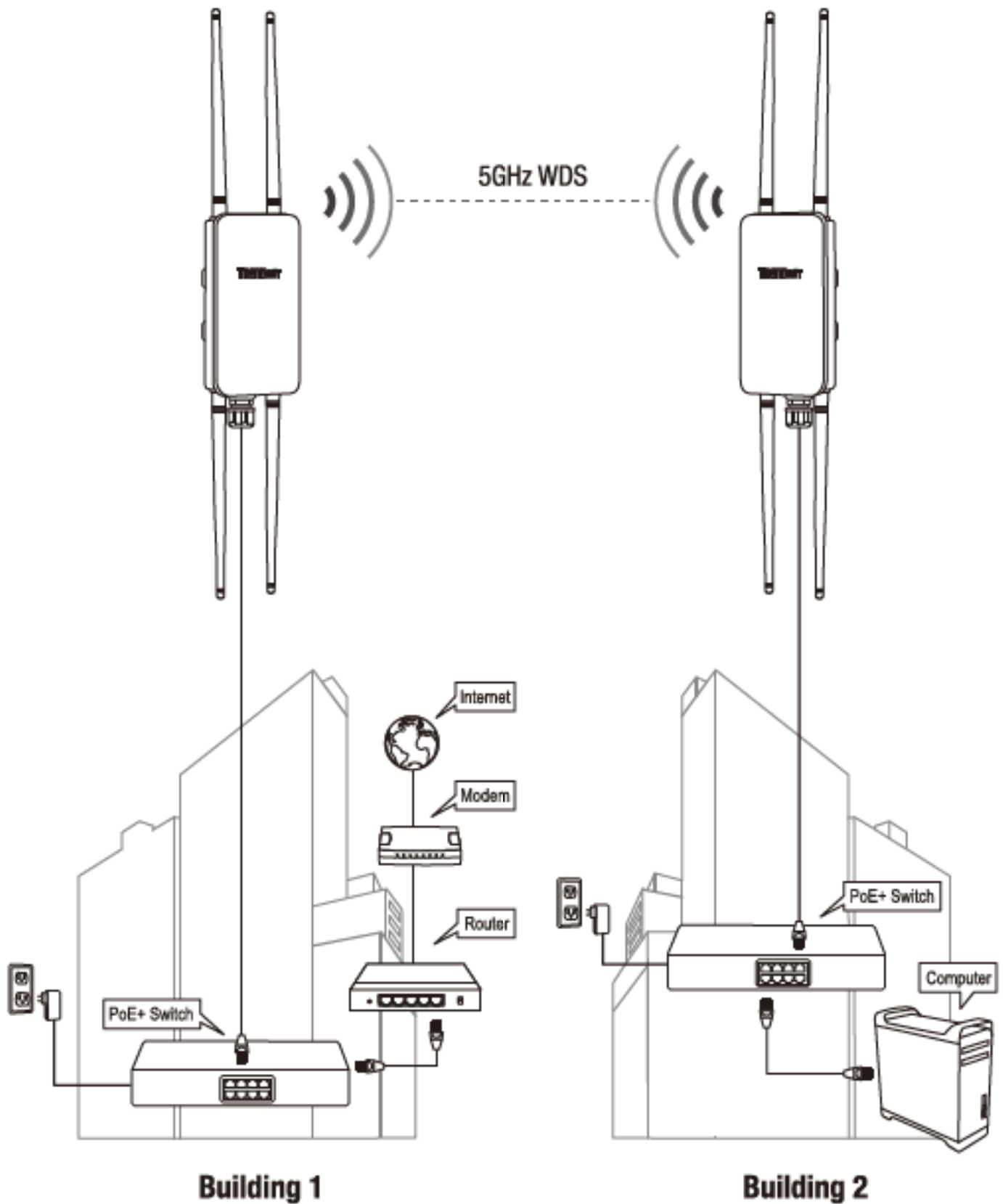
6. Pole Mount Installation

Note: The pole mounting clamp supports poles with a maximum diameter of 66 mm (2.63 in.)

1. Insert the included pole mounting clamp through the hole located in the back of the access point.
2. Wrap the clamp around the pole where the access point will be installed and secure by turning the pole clamp screw clockwise at the desired height and position.



Completed Installation Reference



1. Avant de commencer

Contenu de l'emballage

- TEW-841APBO
- Guide d'installation rapide
- 2 antennes amovibles de 2,4GHz et 5dBi
- 2 antennes amovibles de 5GHz et 5dBi
- Raccord de câble avec protection IP67 contre les intempéries
- Matériel de fixation

Configuration minimale

- Un ordinateur avec un port LAN réseau et un navigateur
- Un switch ou un routeur réseau avec un port LAN PoE+ réseau disponible ou un injecteur PoE+
- Un tournevis à tête plate pour le collier de fixation au mât
- Câbles réseau RJ-45
- (Facultatif pour le pontage point à point uniquement) Point d'accès omnidirectionnel PoE+ extérieur AC1300 WiFi 5dBi TEW-841APBO

Remarque:

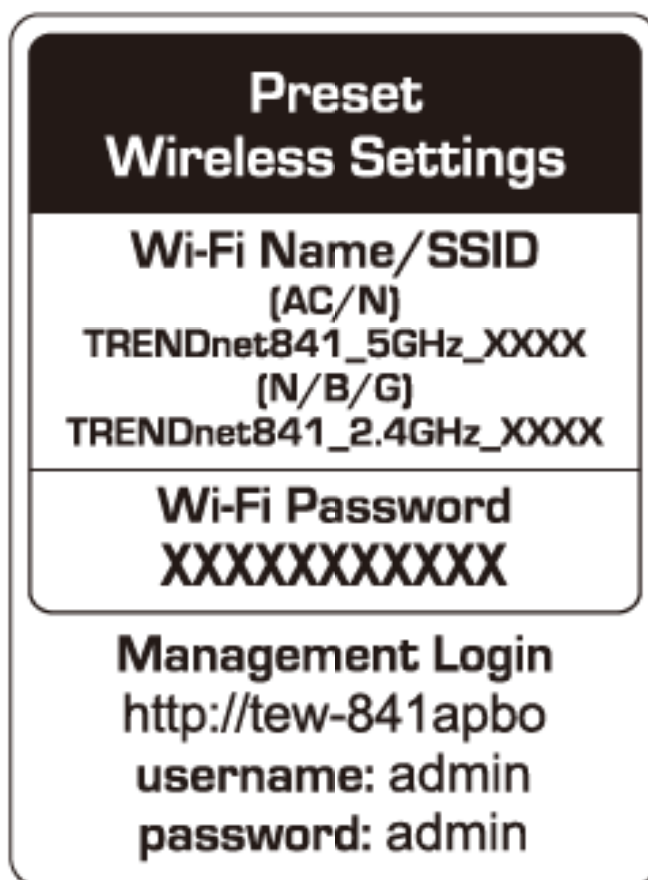
Le point d'accès est conforme à la norme IEEE 802.3af Power over Ethernet (PoE+) et peut être utilisé avec d'autres dispositifs conformes à la norme 802.3af PoE+ tels que les switches PoE+ et les injecteurs PoE+ pour fournir l'alimentation et les données au point d'accès via le port LAN du réseau.

REMARQUE IMPORTANTE: Ce dispositif ne possède pas de bouton de réinitialisation. Lorsque vous changez le mot de passe administrateur sur la page de configuration du point d'accès, veuillez à noter votre nouveau mot de passe.

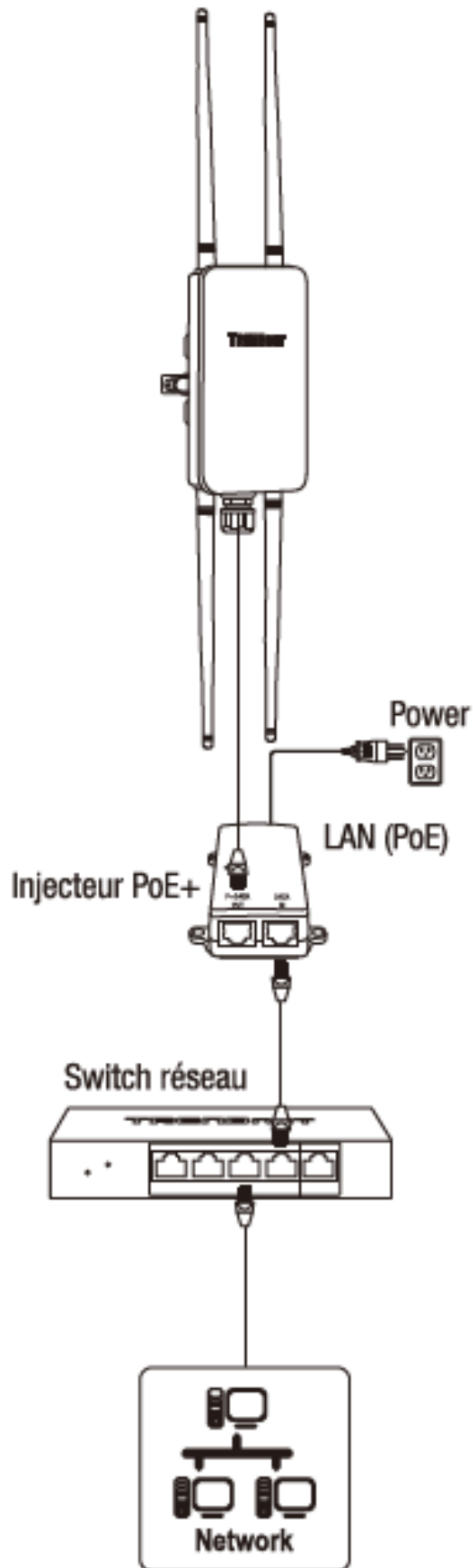
NOTE DE COMPATIBILITE: Si vous établissez des connexions de pont WDS vers des points d'accès extérieurs TRENDnet TEW-740APBO: v2.0R, assurez-vous de mettre à niveau les points d'accès TEW-740APBO: v2.0R avec le firmware 2.10 ou supérieur pour la compatibilité WDS avec le TEW-841APBO.

2. Référence rapides

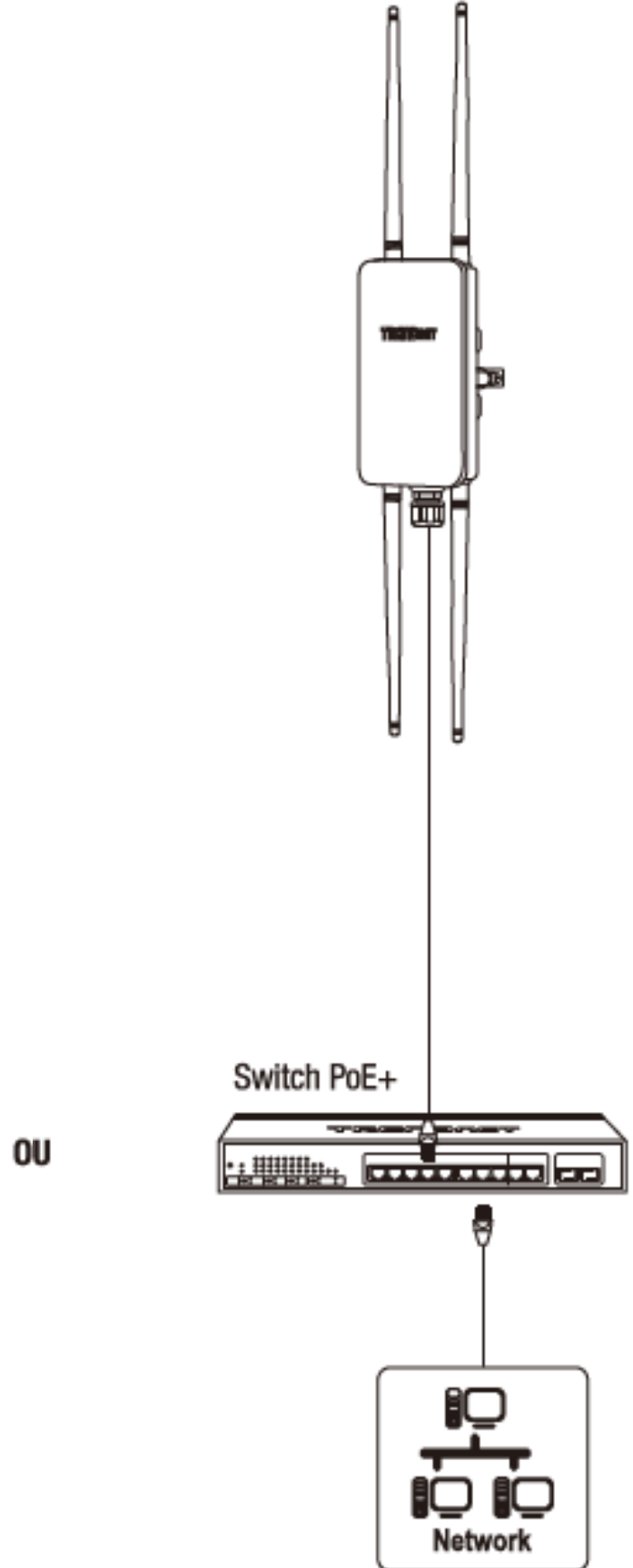
Remarque: Par défaut, le nom du réseau sans fil/SSID et les paramètres de cryptage WiFi ont été préconfigurés pour votre commodité et se trouvent sur l'autocollant reprenant les paramètres WiFi préconfigurés ou sur l'étiquette de l'appareil située à l'arrière du point d'accès. Par défaut, la page de configuration de gestion des points d'accès est accessible via l'URL <http://tew-826dap> ou via l'adresse IP LAN par défaut <http://192.168.10.100>. Aux paramètres par défaut et à la configuration initiale, si le point d'accès est connecté à un réseau avec un serveur DHCP fournissant automatiquement les paramètres d'adresse IP, le point d'accès obtiendra les paramètres d'adresse IP du serveur DHCP du réseau et si aucun serveur DHCP n'est disponible, le point d'accès utilisera les paramètres d'adresse IP par défaut 192.168.10.100 / 255.255.255.0.



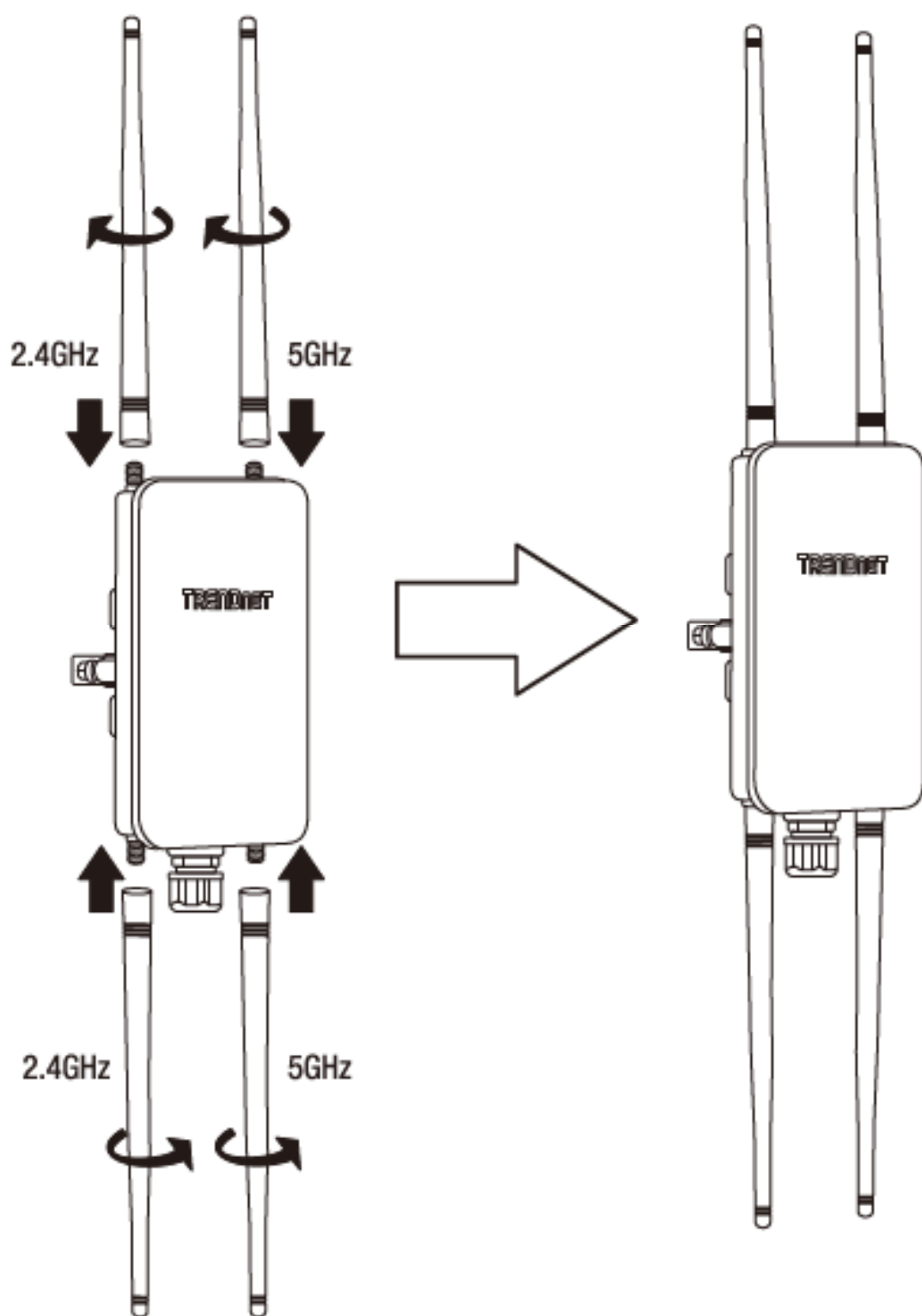
TEW-841APB0



TEW-841APB0



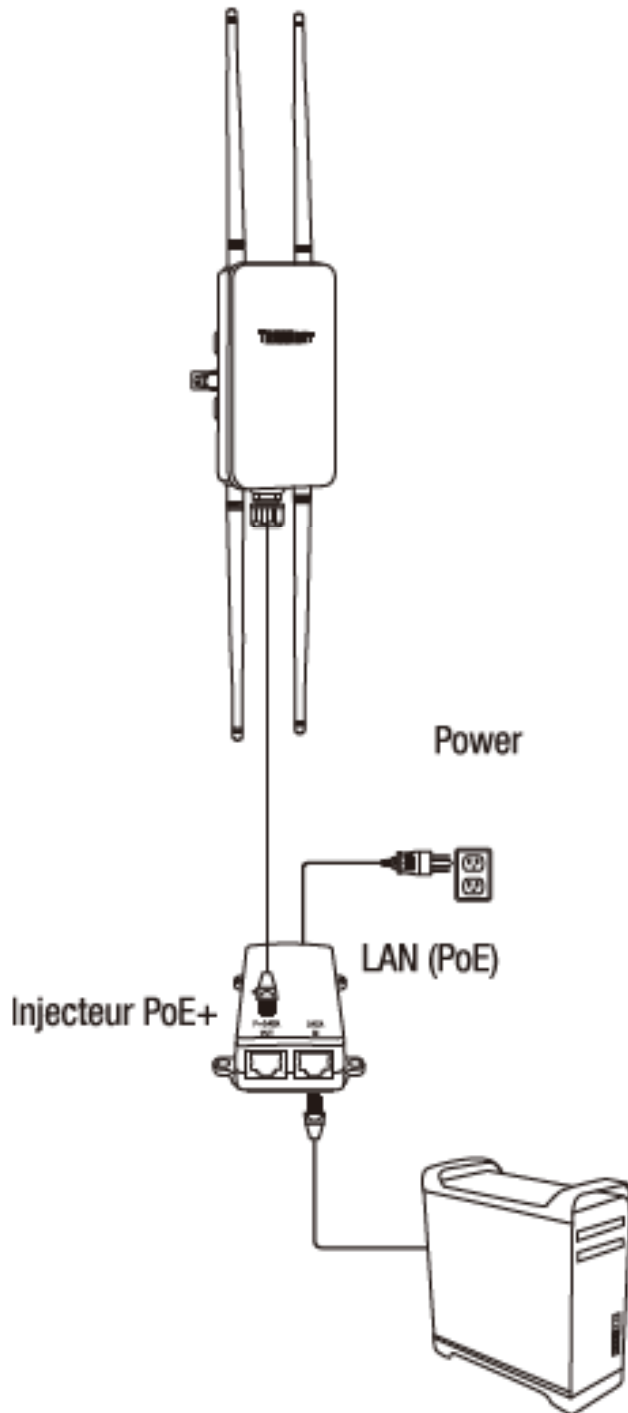
3. Installation et configuration de base du matériel (Configuration de base des points d'accès)



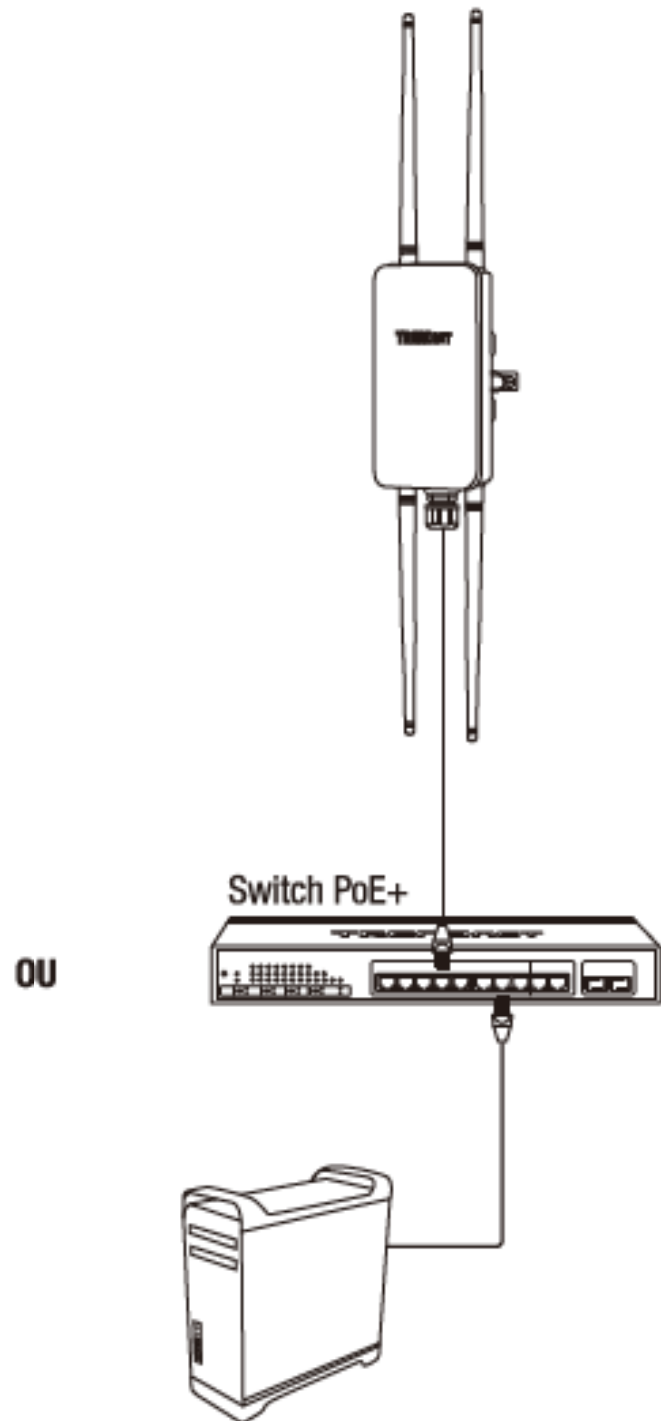
Remarque: Il est fortement recommandé de configurer le point d'accès avant le montage.

1. Connectez un câble réseau du port LAN (PoE) de votre point d'accès à un port LAN PoE+ disponible de votre switch réseau PoE+ ou de votre injecteur PoE+.
2. En utilisant un autre câble réseau, connectez une extrémité au switch réseau PoE+ ou à l'injecteur PoE+ et l'autre extrémité du câble réseau au port Ethernet de votre ordinateur.

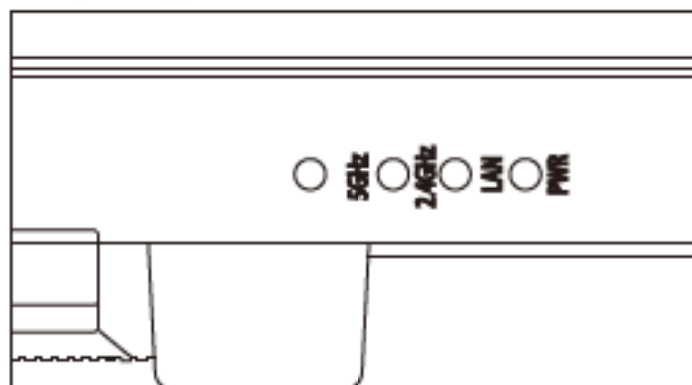
TEW-841APB0



TEW-841APB0



3. Vérifiez à l'aide des LED que l'appareil est alimenté.



4. Assignez une adresse IP statique à l'adaptateur réseau de votre ordinateur dans le sous-réseau de 192.168.10.x (p. ex. 192.168.10.25) et un masque de sous-réseau de 255.255.255.0.

Remarque: Pour plus d'informations concernant l'assignation d'une adresse IP statique à l'adaptateur réseau de votre ordinateur, veuillez consulter le point Q1 de la dernière section du guide d'installation, « Conseils d'installation et de dépannage ».

5. Ouvrez votre navigateur Web, tapez l'URL par défaut <http://tew-841apbo> ou l'adresse IP par défaut <http://192.168.10.100> du point d'accès WiFi dans la barre d'adresse, et appuyez sur **Enter**. L'adresse IP par défaut est 192.168.10.100.

<http://tew-841apbo>

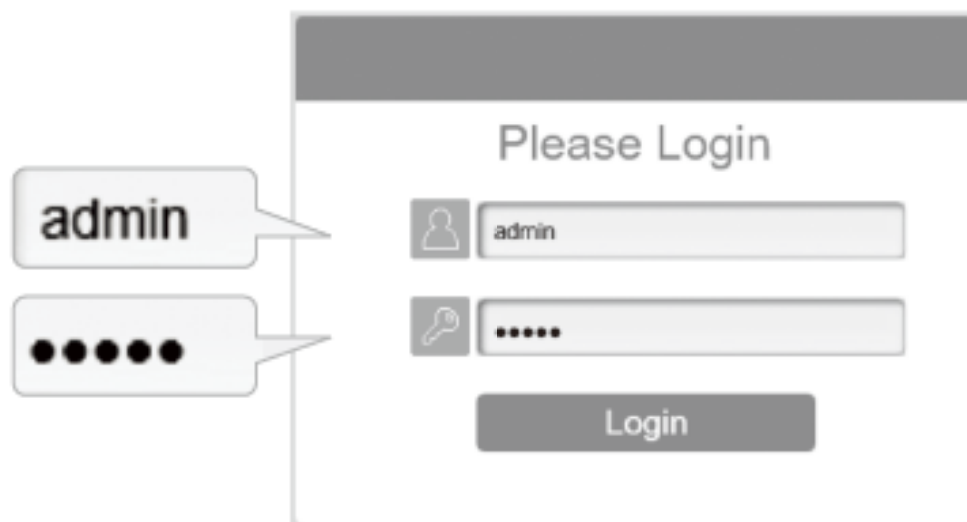
<http://192.168.10.100>

6. Lorsque le message s'affiche, identifiez-vous sur la page de configuration du navigateur en utilisant le nom d'utilisateur et le mot de passe par défaut.

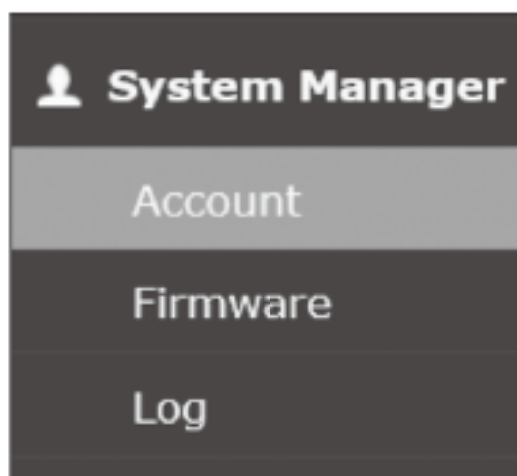
Nom d'utilisateur: **admin**

Mot de passe: **admin**

Remarque: Le nom d'utilisateur et le mot de passe sont sensibles à la casse.



7. Pour modifier le mot de passe administrateur utilisé pour accéder à la page de configuration du point d'accès WiFi, Dans le menu de gauche, sous **System Manager** (Gestionnaire de système), cliquez sur **Account** (Compte).



REMARQUE IMPORTANTE: Ce dispositif ne possède pas de bouton de réinitialisation. Lorsque vous changez le mot de passe administrateur sur la page de configuration du point d'accès, veuillez à noter votre nouveau mot de passe.

8. Sous **Account Settings** (Paramètres du compte), modifiez le mot de passe administrateur par défaut en saisissant le mot de passe administrateur actuel et votre nouveau mot de passe dans les champs fournis. Cliquez ensuite sur le bouton **Apply** (Appliquer) pour enregistrer les nouveaux paramètres de mot de passe. Vous serez invité à vous reconnecter avec les nouveaux paramètres de mot de passe.

Account Settings	
Administrator Username	admin
Current Password	***** <input type="text"/>
New Password	***** <input type="text"/>
Verify Password	***** <input type="text"/>

Apply

9. Pour configurer le nom de votre réseau WiFi/SSID et les paramètres de cryptage sans fil, sous **Network** (Réseau), cliquez sur **Wireless** (WiFi).

Remarque: Par défaut, le nom/SSID du réseau WiFi et le cryptage WiFi ont été préconfigurés pour votre commodité et se trouvent sur l'autocollant reprenant les paramètres WiFi ou sur l'étiquette de l'appareil située au dos du point d'accès. Si vous modifiez les paramètres WiFi, vous devrez vous connecter au point d'accès avec vos clients WiFi en utilisant les nouveaux paramètres.

10. Pour modifier le nom/SSID du réseau WiFi pour la bande WiFi sélectionnée— Dans la section Point d'accès, sélectionnez la bande que vous souhaitez configurer (2,4 GHz ou 5 GHz), saisissez le nouveau nom dans le champ **SSID**. Cliquez sur **Enregistrer** au bas de la page pour enregistrer temporairement les paramètres.

Remarque: Pour appliquer de façon permanente les modifications de la configuration, vous pouvez cliquer sur **Apply** (Appliquer) lorsque l'invite apparaît dans le coin inférieur droit de la page et attendre que l'appareil valide les modifications. Si vous appliquez des modifications de configuration supplémentaires, vous pouvez appliquer les modifications temporaires ultérieurement en cliquant sur l'onglet **Changes** (Modifications) dans le coin supérieur droit de la page, puis sur **Apply** (Appliquer) dans la page Configuration/Changes (Configuration/Modifications).

Wireless Settings - Access Point					
Enabled	SSID	2.4GHz	5GHz	Edit	
<input checked="" type="checkbox"/>	TRENDnet841_2.4GHz_85	<input checked="" type="checkbox"/>	<input type="checkbox"/>	Edit	
<input checked="" type="checkbox"/>	TRENDnet841_5GHz_8556	<input type="checkbox"/>	<input checked="" type="checkbox"/>	Edit	

11. Pour modifier la clé de l'encryption sans fil de la bande sans fil sélectionnée, cliquez sur **Edit** (Modifier).

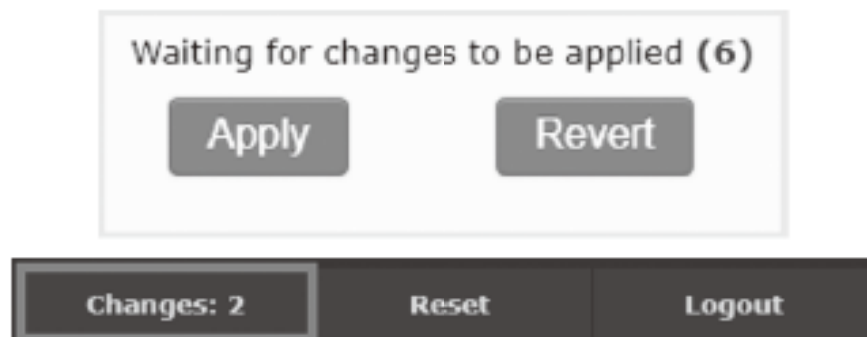
Wireless Settings - Access Point					
Enabled	SSID	2.4GHz	5GHz	Edit	
<input checked="" type="checkbox"/>	TRENDnet841_2.4GHz_85	<input checked="" type="checkbox"/>	<input type="checkbox"/>	Edit	
<input checked="" type="checkbox"/>	TRENDnet841_5GHz_8556	<input type="checkbox"/>	<input checked="" type="checkbox"/>	Edit	

12. Dans la section Wireless Security (Sécurité WiFi), entrez la clé de cryptage dans le champ **Passphrase** (Phrase de passe). Cliquez sur **Save** (Enregistrer) au bas de la page pour enregistrer temporairement les paramètres.

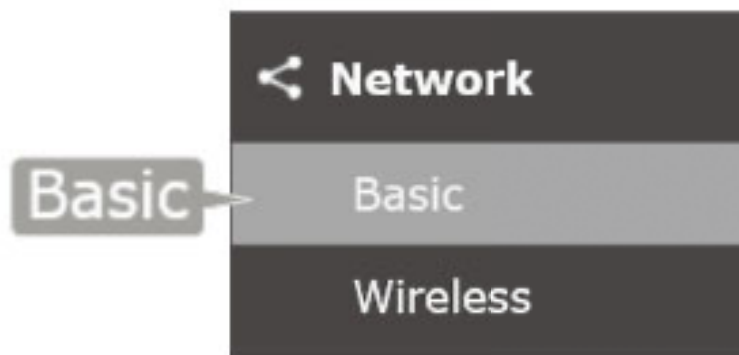
Remarque: Pour appliquer de façon permanente les modifications de la configuration, vous pouvez cliquer sur **Apply** (Appliquer) lorsque l'invite apparaît dans le coin inférieur droit de la page et attendre que l'appareil valide les modifications. Si vous appliquez des modifications de configuration supplémentaires, vous pouvez appliquer les modifications temporaires ultérieurement en cliquant sur l'onglet **Changes** (Modifications) dans le coin supérieur droit de la page, puis sur **Apply** (Appliquer) dans la page Configuration/Changes (Configuration/Modifications).

Wireless Security		
Security Mode	WPA2-PSK	+
Encryption	AES	+
Passphrase	8412XXXXXX	
Group Key Update Interval	3000	(30-3600; 0:Disable)

Remarque importante: Les modifications de configuration dans la configuration de gestion Web des points d'accès ne sont appliquées que lorsque vous cliquez en permanence sur **Apply** (Appliquer) quand le message d'invite apparaît ou sous l'onglet **Changes** (Modifications) dans le coin supérieur droit de la page et que vous cliquez sur **Apply** (Appliquer) sur la page **Configuration/Changes** (Configuration/Modifications). L'onglet **Changes** (Modifications) indique le nombre de modifications temporaires de configuration qui sont en attente d'application permanente. Vous pouvez également cliquer sur **Revert** (Rétablir) pour annuler tous les changements temporaires de configuration.



13. Pour configurer les paramètres d'adresse IP de votre point d'accès, Sous **Network** (Réseau), cliquez sur **Basic** (Basique).



14. Sous **IPv4 Settings** (Paramètres Ipv4), sélectionnez **DHCP** (paramètre par défaut) ou **Static IP** (IP statique). En sélectionnant DHCP, votre point d'accès obtiendra automatiquement les paramètres d'adresse IP d'un serveur **DHCP** sur votre réseau et en sélectionnant **Static IP** (IP statique), vous pourrez attribuer manuellement les paramètres d'adresse IP de votre point d'accès pour répondre aux exigences IP de votre réseau. Si vous sélectionnez **Static IP** (IP statique), entrez les nouveaux paramètres d'adresse IP dans les champs **IP Address**, **Subnet Mask**, **Gateway**, et **Primary/Secondary DNS Server** (Adresse IP, Masque de sous-réseau, Passerelle et Serveur DNS primaire/secondaire).. Une fois que vous avez terminé de configurer les paramètres d'adresse IP du point d'accès, cliquez sur **Save** (Enregistrer) au bas de la page pour enregistrer temporairement les paramètres.

Remarque: Pour appliquer de façon permanente les modifications de la configuration, vous pouvez cliquer sur **Apply** (Appliquer) lorsque l'invite apparaît dans le coin inférieur droit de la page et attendre que l'appareil valide les modifications. Si vous appliquez des modifications de configuration supplémentaires, vous pouvez appliquer les modifications temporaires ultérieurement en cliquant sur l'onglet **Changes** (Modifications) dans le coin supérieur droit de la page, puis sur **Apply** (Appliquer) dans la page Configuration/Changes (Configuration/Modifications).

IPv4 Settings	
IP Network Setting	<input checked="" type="radio"/> DHCP <input type="radio"/> Static IP

IPv4 Settings	
IP Network Setting	<input type="radio"/> DHCP <input checked="" type="radio"/> Static IP
IP Address	<input type="text" value="192.168.10.100"/>
Subnet Mask	<input type="text" value="255.255.255.0"/>
Gateway	<input type="text" value="192.168.10.100"/>
Primary DNS	<input type="text" value="0.0.0.0"/>
Secondary DNS	<input type="text" value="0.0.0.0"/>

15. Après avoir terminé la configuration du point d'accès, reconfigurez l'adaptateur réseau de votre ordinateur en utilisant les paramètres originaux afin d'obtenir automatiquement les paramètres de l'adresse IP en utilisant le DHCP.

Remarque: Pour plus d'informations sur la reconfiguration de l'adaptateur réseau de votre ordinateur pour obtenir automatiquement les paramètres d'adresse IP en utilisant DHCP, veuillez consulter le point Q2 de la dernière section du guide d'installation, « Conseils d'installation et de dépannage ».

4. Installation et configuration du matériel (Point d'accès WDS avec configuration point à point du pont)

Remarque:

1. La configuration initiale doit être effectuée dans un environnement de test avec deux points d'accès TEW-841APBO éloignés l'un de l'autre d'environ 5 m (15 pieds), leur face avant dirigée directement l'une vers l'autre.
2. Il est fortement recommandé de configurer et de connecter les points d'accès avant de procéder au montage.
3. Dans cet exemple, nous allons configurer les deux points d'accès pour établir un pont WDS utilisant la bande des 5GHz.

Phase 1: Aperçu

Dans ce guide d'installation, supposons que les données sont les suivantes:

Paramètres du routeur:

Adresse IP du routeur/de la passerelle par défaut: 192.168.10.1

Masque de sous-réseau: 255.255.255.0

Les points d'accès TEW-841APBO seront configurés avec les paramètres suivants:

TEW-841APBO #1

IP Address (Adresse IP): 192.168.10.50

Netmask (Masque de sous-réseau): 255.255.255.0

Gateway (Passerelle) (Passerelle par défaut): 192.168.10.1

Primary DNS (DNS principal): 192.168.10.1

TEW-841APBO #2

IP Address DNS principal: 192.168.10.51

Netmask (Masque de sous-réseau): 255.255.255.0

Gateway (Passerelle) (Passerelle par défaut): 192.168.10.1

Primary DNS (DNS principal): 192.168.10.1

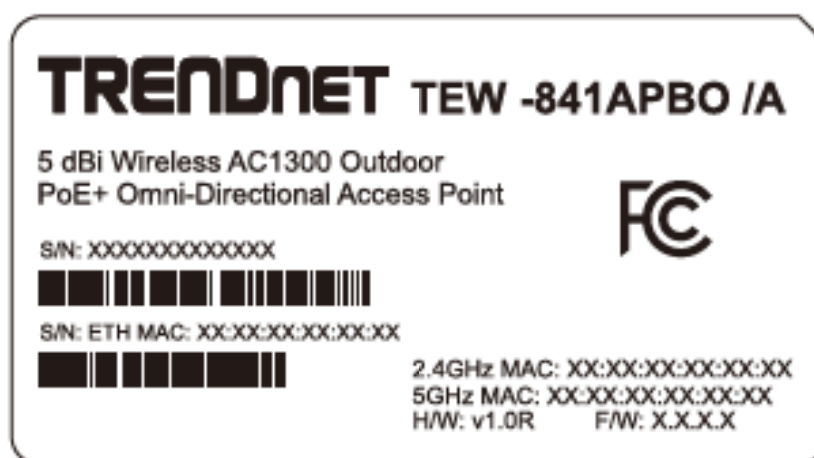
Dans l'exemple ci-dessous, Nous supposerons que les points d'accès utilisent les adresses MAC suivantes :

TEW-841APBO #1 5GHz WiFi MAC Address (Adresse MAC WiFi): 00:11:22:33:44:00

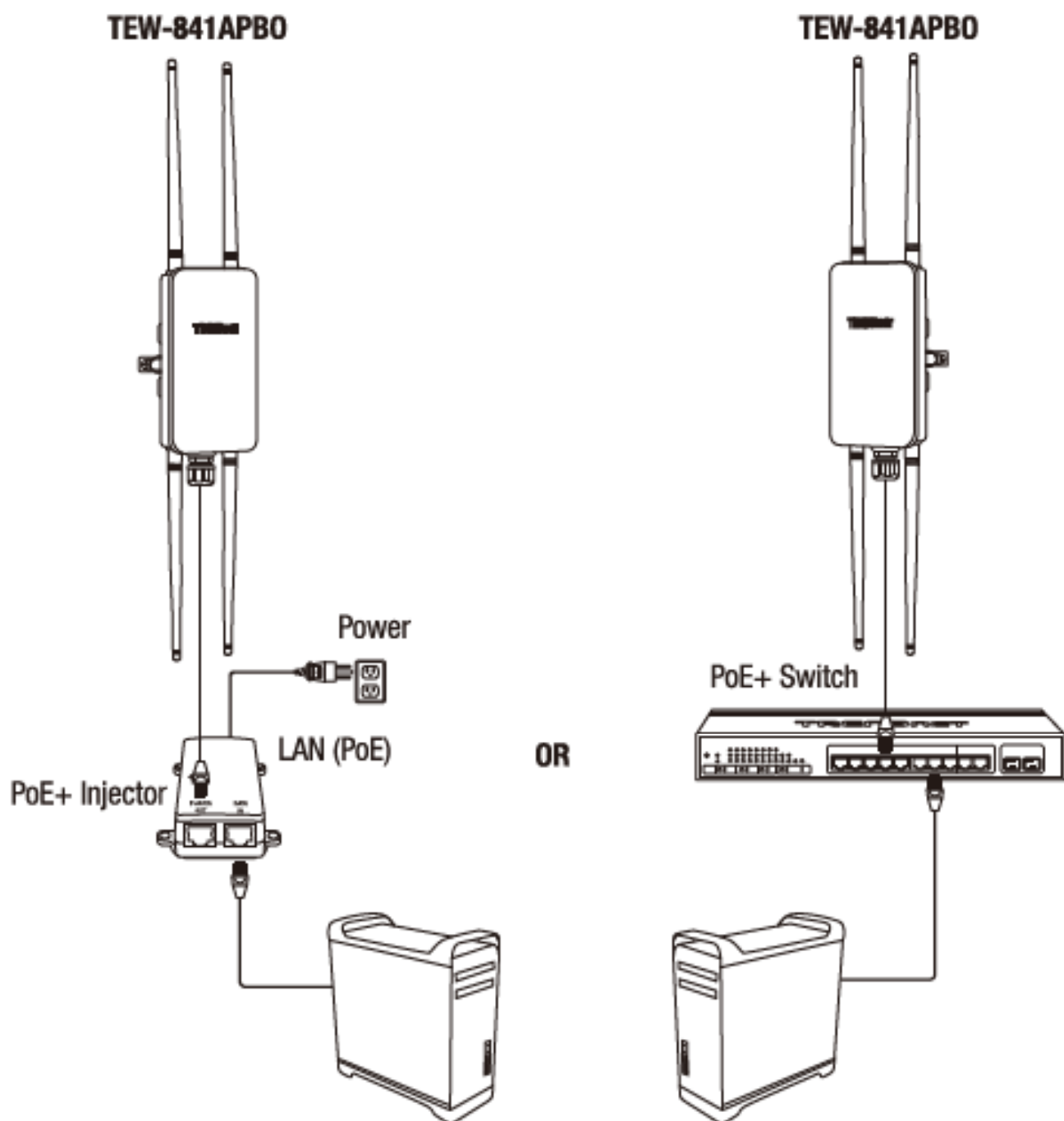
TEW-841APBO #2 5GHz WiFi MAC Address (Adresse MAC WiFi): 00:11:22:33:44:11

Phase 2: Installation et configuration du matériel du 1er TEW-841APBO

1. Inscrivez l'adresse MAC WiFi (5GHz MAC) des deux points d'accès TEW-841APBO #1 et TEW-841APBO #2 située sur l'étiquette de l'appareil comme indiqué ci-dessous.



2. Connectez un câble réseau du port LAN (PoE) de votre point d'accès à un port LAN PoE+ disponible de votre switch réseau PoE+ ou de votre injecteur PoE+.
3. En utilisant un autre câble réseau, connectez une extrémité au switch réseau PoE+ ou à l'injecteur PoE+ et l'autre extrémité du câble réseau au port Ethernet de votre ordinateur.



4. Assignez une adresse IP statique à l'adaptateur réseau de votre ordinateur dans le sous-réseau de 192.168.10.x (p. ex. 192.168.10.25) et un masque de sous-réseau de 255.255.255.0.

5. Ouvrez votre navigateur Internet, tapez-y l'adresse IP du point d'accès dans la barre d'adresse et appuyez sur **Enter**. L'adresse IP par défaut est 192.168.10.100.

Remarque: Si vous avez changé l'adresse IP du point d'accès dans la section précédente, Section 3: Installation et configuration de base du matériel (Configuration de base des points d'accès), vous aurez besoin de la nouvelle adresse IP que vous avez attribuée.

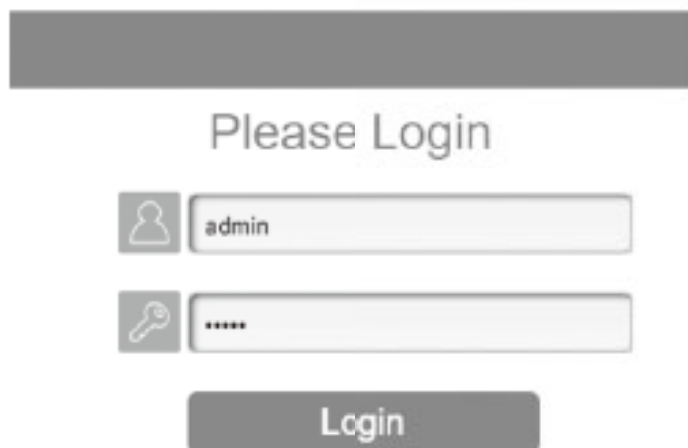
6. Ouvrez votre navigateur Internet, tapez-y l'adresse IP du point d'accès dans la barre d'adresse et appuyez sur **Enter**. L'adresse IP par défaut est 192.168.10.100.

Remarque: Si vous avez changé l'adresse IP du point d'accès dans la section précédente, Section 3: Installation et configuration de base du matériel (Configuration de base des points d'accès), vous aurez besoin de la nouvelle adresse IP que vous avez attribuée.



7. Lorsque vous y êtes invité, connectez-vous à la page de configuration du navigateur. Le nom d'utilisateur et le mot de passe par défaut sont **admin**.

Remarque: Le nom d'utilisateur et le mot de passe sont sensibles à la casse. Si vous avez modifié le mot de passe administrateur du point d'accès dans la section précédente, Section 3 : Installation et configuration de base du matériel (Configuration de base des points d'accès), vous devrez utiliser le nouveau mot de passe que vous avez attribué.



8. Pour configurer les paramètres de l'adresse IP de votre point d'accès, sous **Network** (Réseau), cliquez sur **Basic** (Basique).

9. Sous IPv4 Settings (Paramètres Ipv4), sélectionnez **Static IP** (IP statique) et saisissez l'adresse IP **192.168.10.50**, de Masque de sous réseau **255.255.255.0**, de Passerelle **192.168.10.1**, et de DNS primaire **192.168.10.1**. Une fois que vous avez terminé de configurer les paramètres d'adresse IP du point d'accès, cliquez sur **Save** (Enregistrer) au bas de la page pour enregistrer temporairement les paramètres.

Remarque: Pour appliquer de façon permanente les modifications de la configuration, vous pouvez cliquer sur **Apply** (Appliquer) lorsque l'invite apparaît dans le coin inférieur droit de la page et attendre que l'appareil valide les modifications. Si vous appliquez des modifications de configuration supplémentaires, vous pouvez appliquer les modifications temporaires ultérieurement en cliquant sur l'onglet **Changes** (Modifications) dans le coin supérieur droit de la page, puis sur **Apply** (Appliquer) dans la page Configuration/Changes (Configuration/Modifications).

Remarque: Lors de la configuration des paramètres d'adresse IP du deuxième TEW-841APBO, saisissez l'adresse IP 192.168.10.51 et les mêmes paramètres de Masque de sous-réseau, de Passerelle et de DNS primaire.

IPv4 Settings	
IP Network Setting	<input checked="" type="radio"/> DHCP <input type="radio"/> Static IP
IP Network Setting	<input type="radio"/> DHCP <input checked="" type="radio"/> Static IP
IP Address	<input type="text" value="192.168.10.50"/>
Subnet Mask	<input type="text" value="255.255.255.0"/>
Gateway	<input type="text" value="192.168.10.1"/>
Primary DNS	<input type="text" value="192.168.10.1"/>
Secondary DNS	<input type="text" value="0.0.0.0"/>

REMARQUE IMPORTANTE: Les modifications de configuration dans la configuration de gestion Web des points d'accès ne sont appliquées que lorsque vous cliquez en permanence sur **Apply** (Appliquer) quand le message d'invite apparaît ou sous l'onglet **Changes** (Modifications) dans le coin supérieur droit de la page et que vous cliquez sur **Apply** (Appliquer) sur la page Configuration/Changes (Configuration/Modifications). L'onglet **Changes** (Modifications) indique le nombre de modifications temporaires de configuration qui sont en attente d'application permanente. Vous pouvez également cliquer sur **Revert** (Rétablir) pour annuler tous les changements temporaires de configuration.

Waiting for changes to be applied (6)

Apply

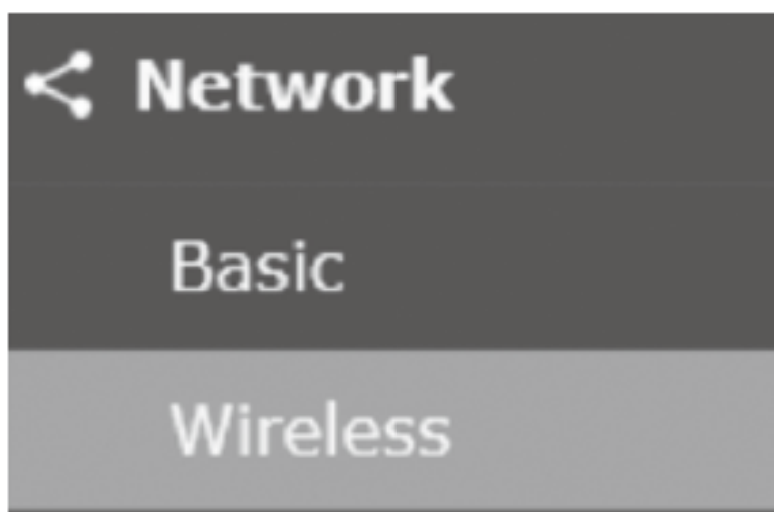
Revert

Changes: 2

Reset

Logout

10. Pour configurer les paramètres du pont WDS WiFi, sous **Network** (Réseau), cliquez sur **WiFi**.



11. Sous **5GHz**, cliquez sur la liste déroulante **Operation Mode** (Mode de fonctionnement) et sélectionnez **WDS Access Point** (Point d'accès WDS).

	2.4GHz	5GHz
Operation Mode	Access Point ▾	WDS Access Pair ▾
Wireless Mode	802.11 B/G/N ▾	802.11 AC/N ▾
Channel HT Mode	20MHz ▾	40MHz/AC Only ▾

12. A côté de **Channel** (Canal), cliquez sur **Configuration** et sous la section 5GHz, assurez-vous que le canal **48** est sélectionné et cliquez sur **Save** (Enregistrer) au bas de la page.

Remarque: Lors de la configuration du deuxième TEW-841APBO, le canal WiFi 5GHz doit être le même que celui de ce premier TEW-841APBO.

Channel
Configuration

5GHz

All

None

U-NII-1

U-NII-3

Ch 36 : 5.180 GHz

Ch 40 : 5.200 GHz

Ch 44 : 5.220 GHz

Ch 48 : 5.240 GHz

Ch149 : 5.745 GHz

Ch153 : 5.765 GHz

Ch157 : 5.785 GHz

Ch161 : 5.805 GHz

13. Sous **WDS Link Settings – 5GHz** (Paramètres de liaison WDS - 5 Ghz), cliquez sur la liste déroulante **Security** (Sécurité) et sélectionnez **AES**. Saisissez une clé de cryptage WDS dans le champ **AES Passphrase** (Phrase de passe AES) (8-63 caractères alphanumériques).

Remarque: Lors de la configuration du deuxième TEW-841APBO, la phrase de passe WDS AES doit être la même que celle du premier TEW-841APBO.

WDS Link Settings - 5GHz

Security	AES
AES Passphrase	XXXXXXXX (8-63 ASCII characters or 64 hexadecimal digits)

14. Dans la section **MAC Address** (Adresse MAC), cliquez sur la liste déroulante **Mode** et sélectionnez **Enable** (Activer). Dans les champs prévus à cet effet, entrez l'adresse MAC WiFi 5GHz du deuxième TEW-841APBO et cliquez sur **Save** (Enregistrer) au bas de la page.

Remarque: Pour appliquer de façon permanente les modifications de la configuration, vous pouvez cliquer sur **Apply** (Appliquer) lorsque l'invite apparaît dans le coin inférieur droit de la page et attendre que l'appareil valide les modifications. Si vous appliquez des modifications de configuration supplémentaires, vous pouvez appliquer les modifications temporaires ultérieurement en cliquant sur l'onglet **Changes** (Modifications) dans le coin supérieur droit de la page, puis sur **Apply** (Appliquer) dans la page Configuration/Changes (Configuration/Modifications).

MAC Address Mode

00 : 11 : 22 : 33 : 44 : 11 Enable

Waiting for changes to be applied (6)

Apply Revert

Changes: 2 Reset Logout

Phase 3: Installation et configuration du matériel du #2 TEW-841APBO

Lors de la configuration du deuxième TEW-841APBO, répétez toutes les étapes de l'installation et de la configuration de la phase 2.

1. Lors de l'étape 9, sous Paramètres IPv4, sélectionnez **Static IP** (IP statique) et saisissez l'adresse IP **192.168.10.51**, le Masque de sous-réseau **255.255.255.0**, la Passerelle **192.168.10.1** et le DNS primaire **192.168.10.1**. Une fois que vous avez terminé de configurer les paramètres d'adresse IP du point d'accès, cliquez sur **Save** (Enregistrer) au bas de la page pour enregistrer temporairement les paramètres.
bottom of the page to temporarily save the settings.

Remarque: Pour appliquer de façon permanente les modifications de la configuration, vous pouvez cliquer sur **Apply** (Appliquer) lorsque l'invite apparaît dans le coin inférieur droit de la page et attendre que l'appareil valide les modifications. Si vous appliquez des modifications de configuration supplémentaires, vous pouvez appliquer les modifications temporaires ultérieurement en cliquant sur l'onglet **Changes** (Modifications) dans le coin supérieur droit de la page, puis sur **Apply** (Appliquer) dans la page Configuration/Changes (Configuration/Modifications).

IPv4 Settings	
IP Network Setting	<input type="radio"/> DHCP <input checked="" type="radio"/> Static IP
IP Address	<input type="text" value="192.168.10.51"/>
Subnet Mask	<input type="text" value="255.255.255.0"/>
Gateway	<input type="text" value="192.168.10.1"/>
Primary DNS	<input type="text" value="192.168.10.1"/>
Secondary DNS	<input type="text" value="0.0.0.0"/>

2. A l'étape 14, dans la section **MAC Address** (Adresse MAC), cliquez sur la liste déroulante Mode et sélectionnez **Enable** (Activer). Dans les champs prévus à cet effet, entrez l'adresse MAC WiFi 5GHz du premier TEW-841APBO et cliquez sur **Save** (Enregistrer) au bas de la page.

Remarque: Pour appliquer de façon permanente les modifications de la configuration, vous pouvez cliquer sur **Apply** (Appliquer) lorsque l'invite apparaît dans le coin inférieur droit de la page et attendre que l'appareil valide les modifications. Si vous appliquez des modifications de configuration supplémentaires, vous pouvez appliquer les modifications temporaires ultérieurement en cliquant sur l'onglet **Changes** (Modifications) dans le coin supérieur droit de la page, puis sur **Apply** (Appliquer) dans la page Configuration/Changes (Configuration/Modifications).

MAC Address					Mode	
00	11	22	33	44	00	Enable

REMARQUE IMPORTANTE: Les modifications de configuration dans la configuration de gestion Web des points d'accès ne sont appliquées que lorsque vous cliquez en permanence sur **Apply** (Appliquer) quand le message d'invite apparaît ou sous l'onglet Changes (Modifications) dans le coin supérieur droit de la page et que vous cliquez sur **Apply** (Appliquer) sur la page Configuration/Changes (Configuration/Modifications). L'onglet **Changes** (Modifications) indique le nombre de modifications temporaires de configuration qui sont en attente d'application permanente. Vous pouvez également cliquer sur **Revert** (Rétablir) pour annuler tous les changements temporaires de configuration.

Waiting for changes to be applied (6)

Apply

Revert

Changes: 2

Reset

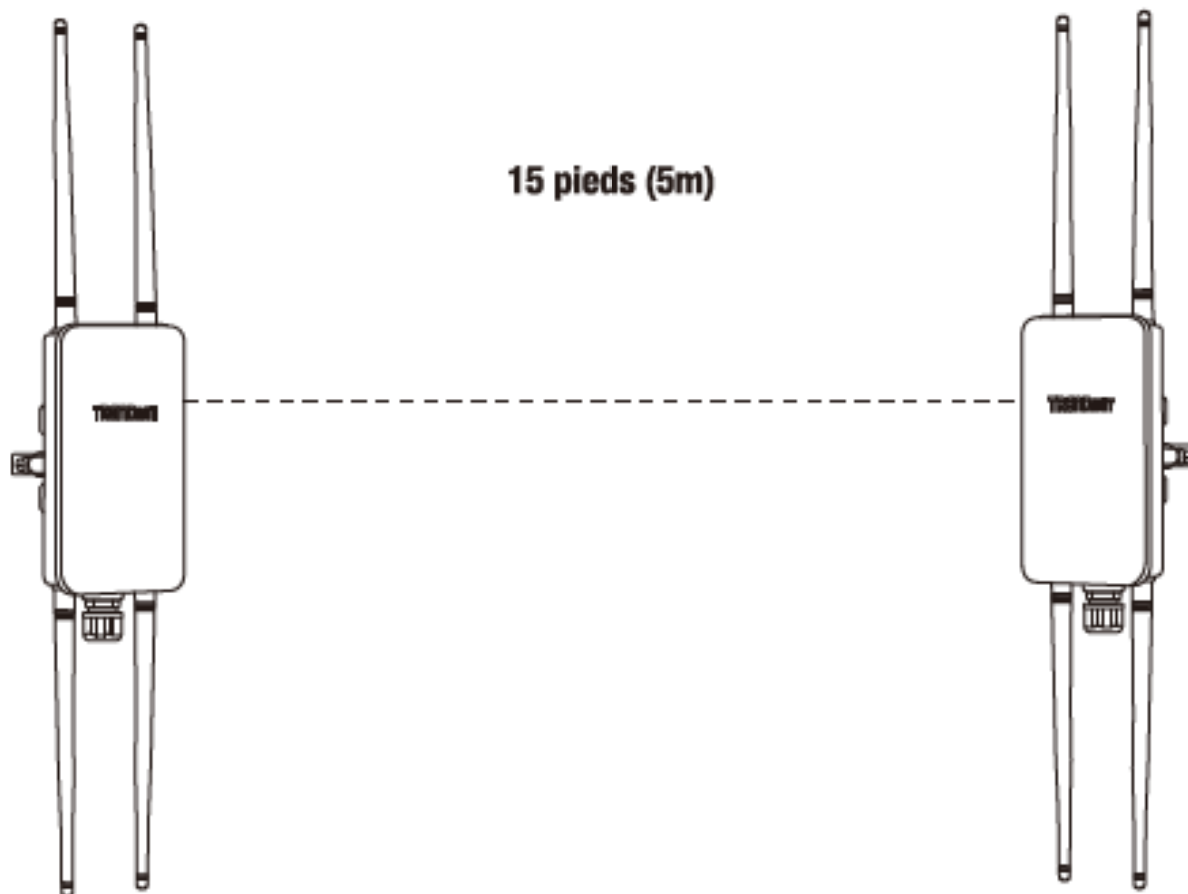
Logout

Phase 4: Confirm Connectivity

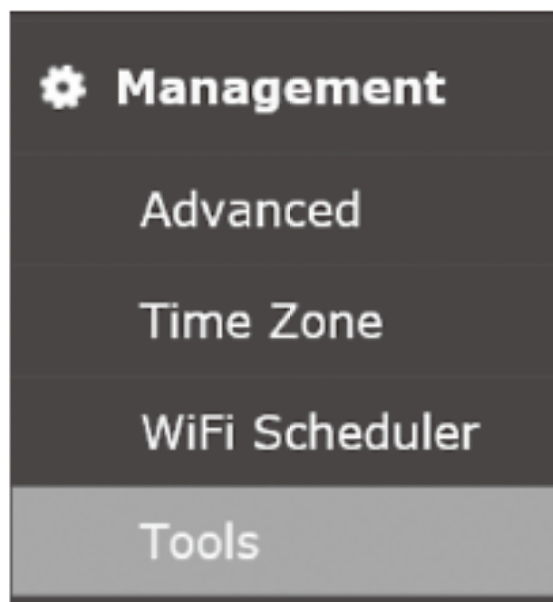
1. Laissez votre ordinateur connecté au #2 TEW-841APBO et laissez l'interface de gestion Internet ouverte.
2. Assurez-vous que les deux points d'accès (le #1 et le #2 TEW-840APBO) sont alimentés et se trouvent à environ 5 m (15 pieds) l'un de l'autre, leur face avant dirigée directement l'une vers l'autre.

TEW-841APBO #1

TEW-841APBO #2



3. Pour vérifier la connexion, sur la page de configuration du point d'accès du deuxième TEW-841APBO, sous **Management** (Gestion), cliquez sur **Tools** (Outils) et cliquez sur Ping.



4. Sous Ping dans le champ **Target IP / Domain Name** (Adresse IP cible / Nom de domaine), saisissez l'adresse IP du TEW-841APBO #1, **192.168.10.50**, puis cliquez sur **Start** (Démarrer).

Ping Test Parameters

Target IP / Domain Name	<input type="text" value="192.168.10.50"/>	
Ping Packet Size	<input type="text" value="64"/>	Bytes
Number of Pings	<input type="text" value="4"/>	
<input type="button" value="Start"/>		

5. Les réponses Ping et 0% de perte de paquets indiqueront que la connexion point à point entre le TEW-841APBO #1 et #2 est réussie.

Remarque: Si le test de connexion échoue, attendez environ une minute et réessayez. Assurez-vous qu'il n'y a pas d'obstacles entre les deux points d'accès lors de l'exécution du test de connexion et que les deux points d'accès ne sont pas trop rapprochés.

5. Installation du kit étanche à l'eau

1. Dévissez l'écrou de plombage de l'ensemble principal.
2. Enlevez le joint en caoutchouc de la patte.
3. Vérifiez que vous disposez bien des pièces suivantes:



Ensemble principal



Joint

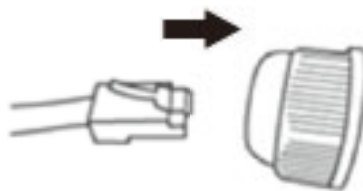


Patte

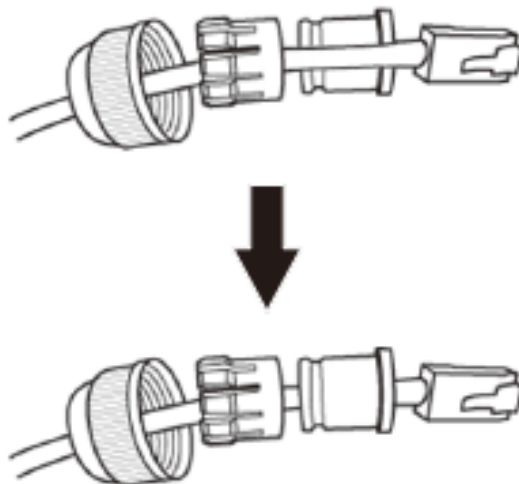


Écrou de plombage

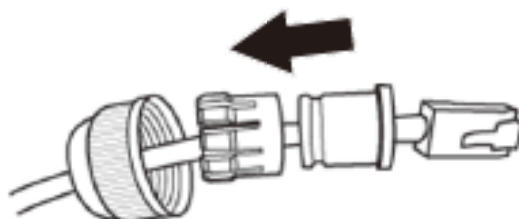
4. Insérez une extrémité du câble Ethernet dans l'écrou de plombage.



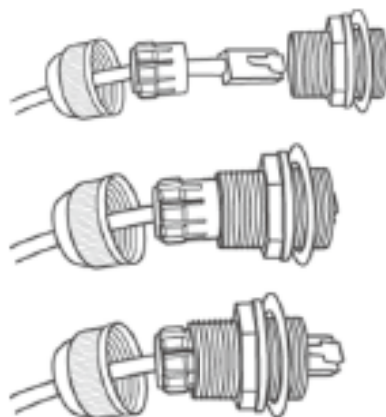
5. Insérez le câble Ethernet dans le joint.



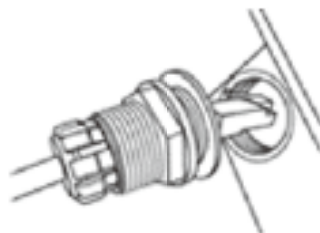
6. Insérez le joint dans la patte.



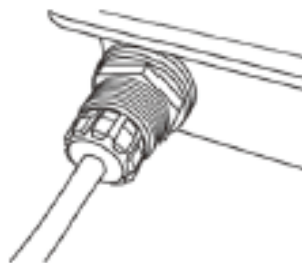
7. Insérez le joint / la patte en caoutchouc dans le presse-étoupe.



8. Connectez le câble Ethernet au port PoE se trouvant à l'arrière du point d'accès.



9. Vissez à la main (dans le sens opposé à ceux des aiguilles d'une montre) l'élément principal pour le fixer au points d'accès.



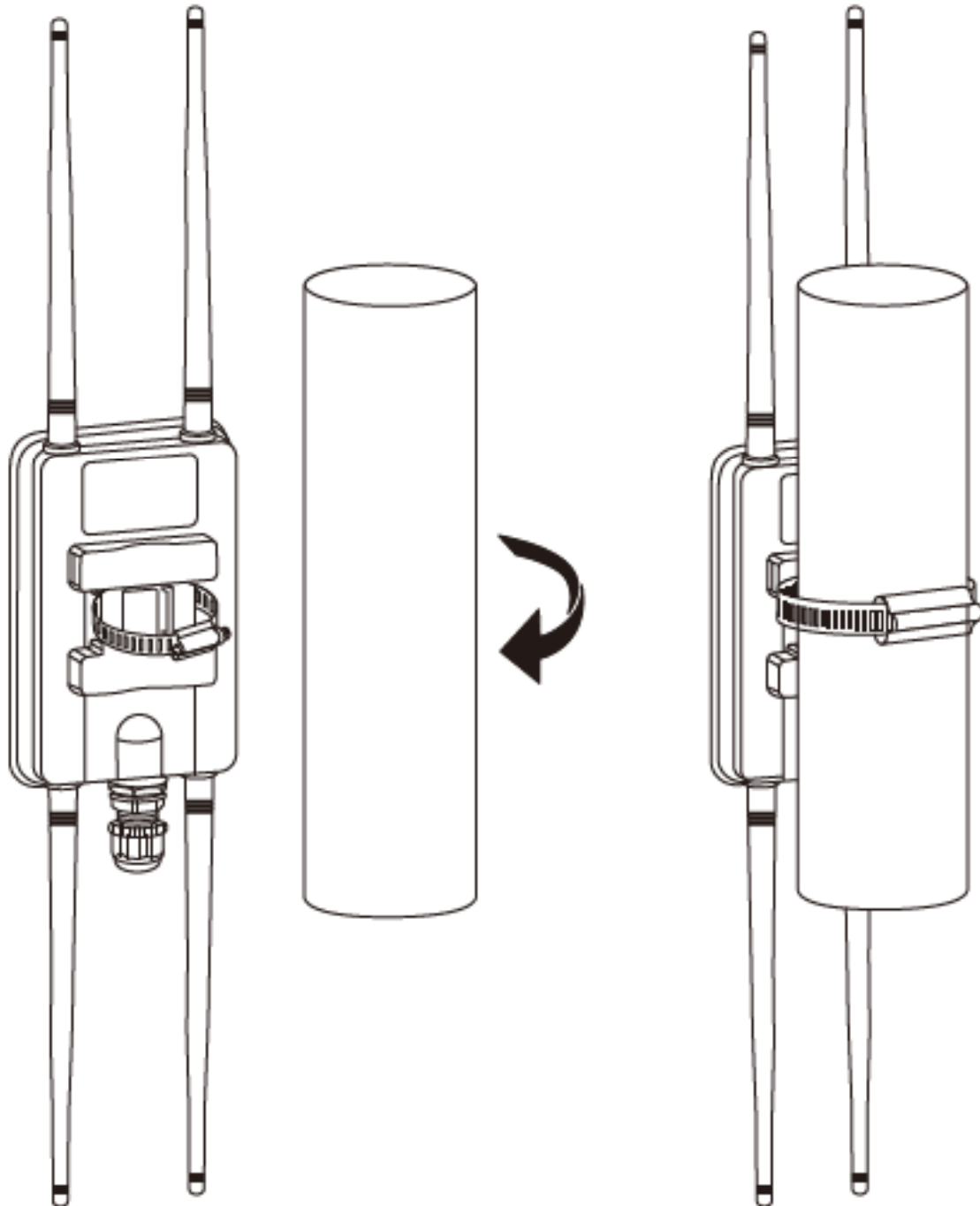
10. Toujours à la main et dans le sens opposé à ceux des aiguilles d'une montre, vissez l'écrou de plombage pour le fixer à l'élément principal.



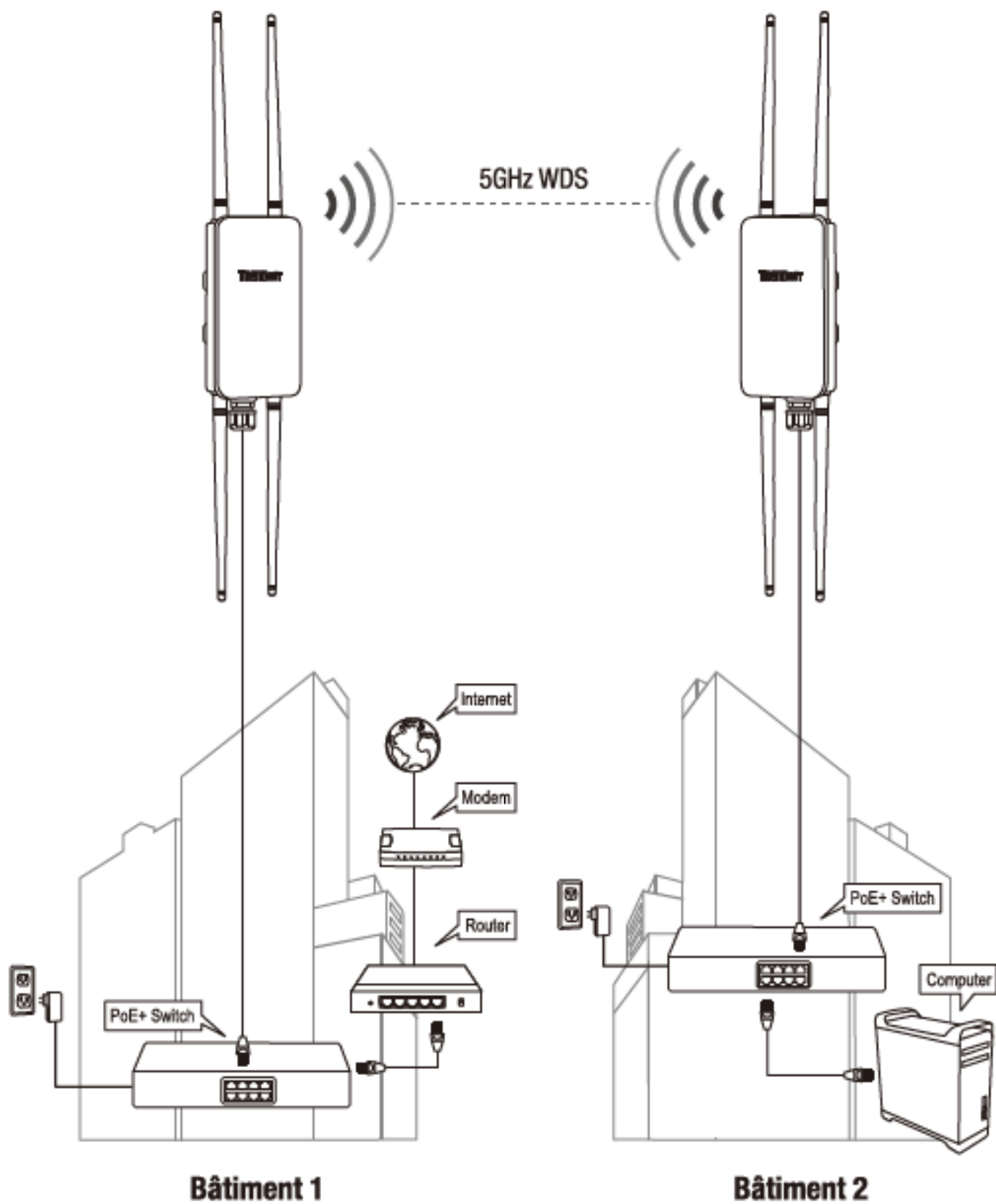
6. Installation sur un mât

Remarque: Le collier de fixation au mât est compatible avec les mâts d'un diamètre maximum de 66 mm (2,48 pouces).

1. Insérez dans le trou situé à l'arrière du point d'accès le collier de fixation fourni.
2. Enroulez le collier de fixation autour du mât où le point d'accès sera installé et fixez-le en tournant la vis du collier de fixation dans le sens horaire à la hauteur et à la position désirées.



Référence d'installation terminée



1. Antes de comenzar

Contenido del paquete

- TEW-841APB0
- Guía de instalación rápida
- 2 antenas de 5dBi y 2.4GHz desmontables
- 2 antenas de 5dBi y 5GHz desmontables
- Prensaestopas con clasificación climática Ip67
- Materiales de montaje

Requisitos mínimos

- Una computadora con puerto de red y navegador web
- Un switch o router de red con un inyector PoE+ o puerto de red LAN PoE+ disponible
- Destornillador de cabeza plana para abrazadera de montaje en poste
- Cables de red RJ-45
- (Opcional solo para puenteo punto a punto) Punto de acceso omnidireccional adicional TEW-841APB0 5 dBi wireless AC1300 PoE+ para exteriores

Nota:

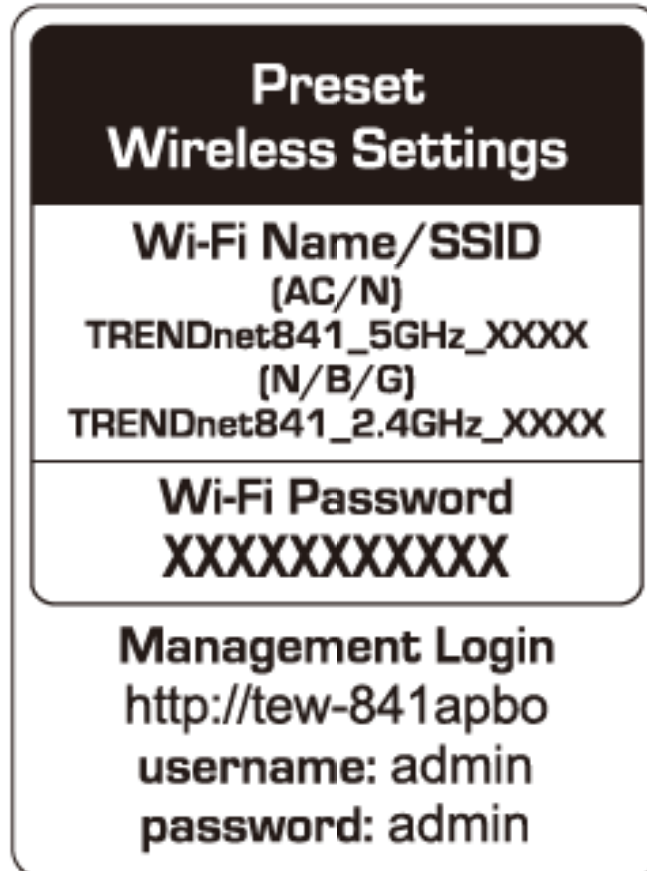
El punto de acceso es compatible con las normas IEEE 802.3af de Power over Ethernet (PoE+) y puede utilizarse con otros dispositivos compatibles con 802.3at PoE+, como switches PoE+ e inyectores PoE+, para suministrar alimentación y datos al punto de acceso mediante el puerto LAN (PoE) de red.

NOTA IMPORTANTE: El dispositivo no cuenta con un botón de reinicio de hardware. Cuando cambie la contraseña de administrador a la página de configuración del punto de acceso, asegúrese de escribir su nueva contraseña.

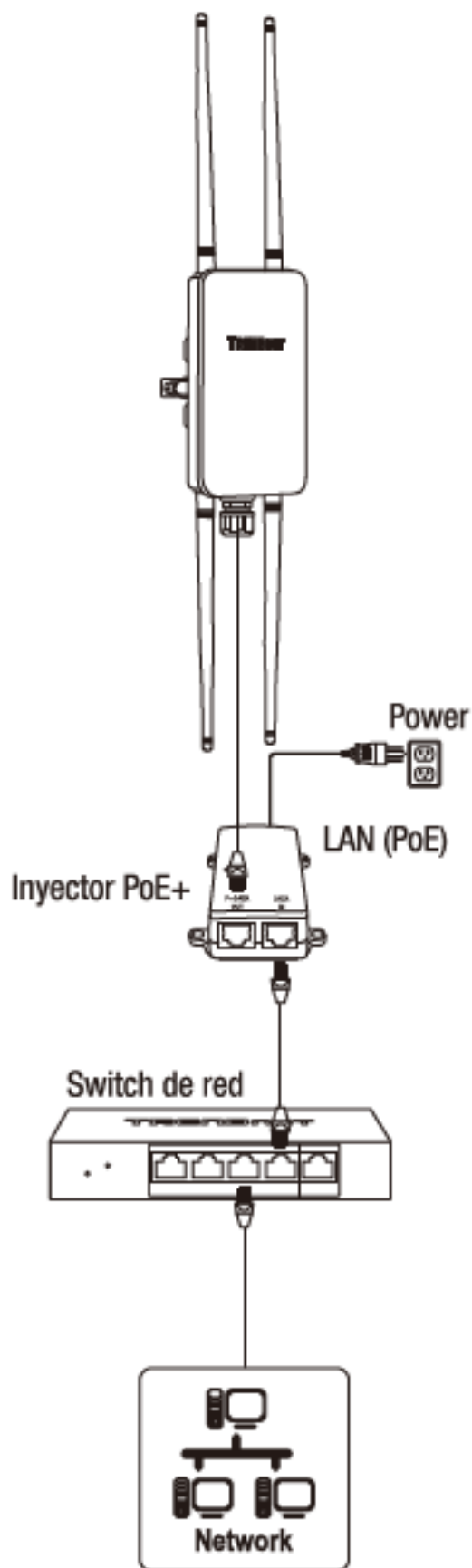
NOTA DE COMPATIBILIDAD: Si está estableciendo conexiones de puente WDS a los puntos de acceso para exteriores TEW-740APB0 H/W: v2.0R de TRENDnet, asegúrese de actualizar los puntos de acceso TEW-740APB0 H/W: v2.0R al firmware 2.10 o superior para que tengan compatibilidad WDS con el TEW-841APB0.

2. Referencia rápida

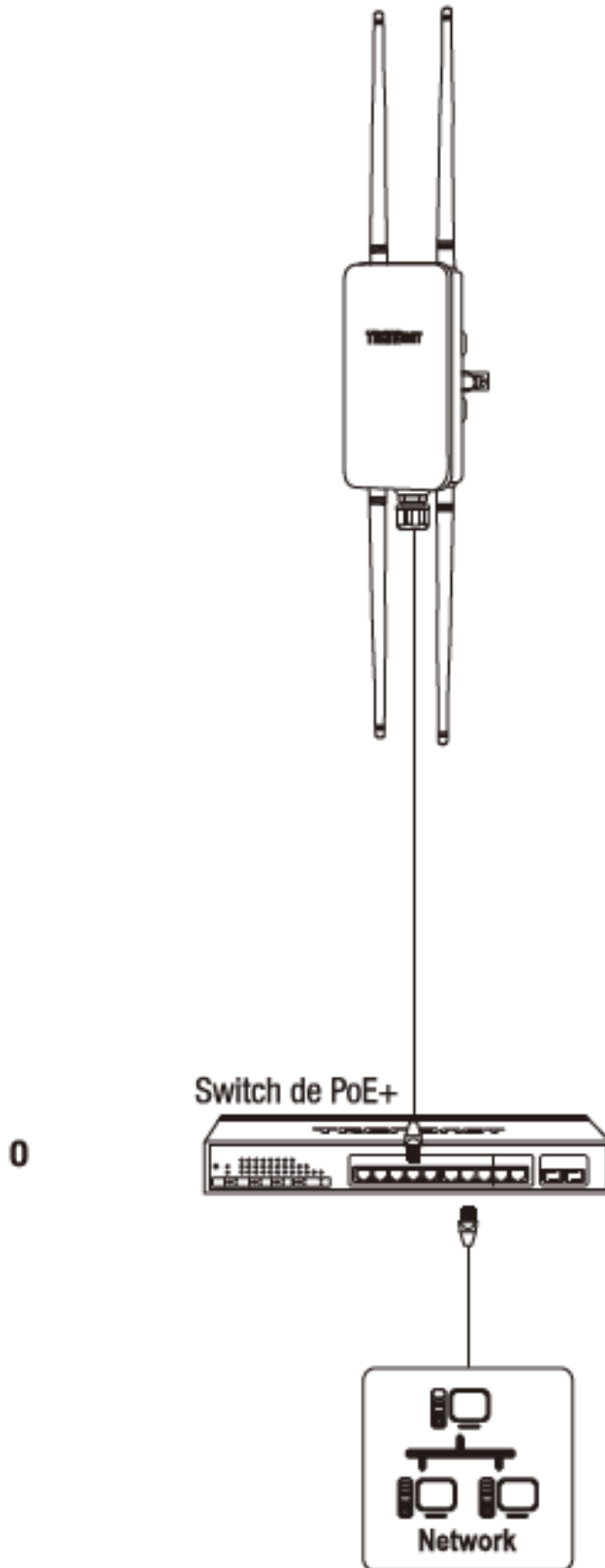
Nota: Por defecto, el nombre de red wireless/SSID y la configuración de la encriptación wireless se han preconfigurado para mayor comodidad; se encuentran en el adhesivo de configuración wireless preseleccionada o en la etiqueta del dispositivo situada en la parte trasera del punto de acceso. Por defecto, se puede acceder a la página de configuración de la administración web del punto de acceso por la URL <http://tew-841apbo> o utilizando la dirección LAN IP por defecto, <http://192.168.10.100>. En la configuración por defecto y la configuración inicial, si el punto de acceso está conectado a una red con un servidor DHCP que facilita una configuración de dirección IP automáticamente, el punto de acceso obtendrá la configuración de dirección IP del servidor DHCP de red; en caso de que no haya un servidor DHCP disponible, el punto de acceso utilizará la configuración de dirección IP por defecto, 192.168.10.100 / 255.255.255.0.



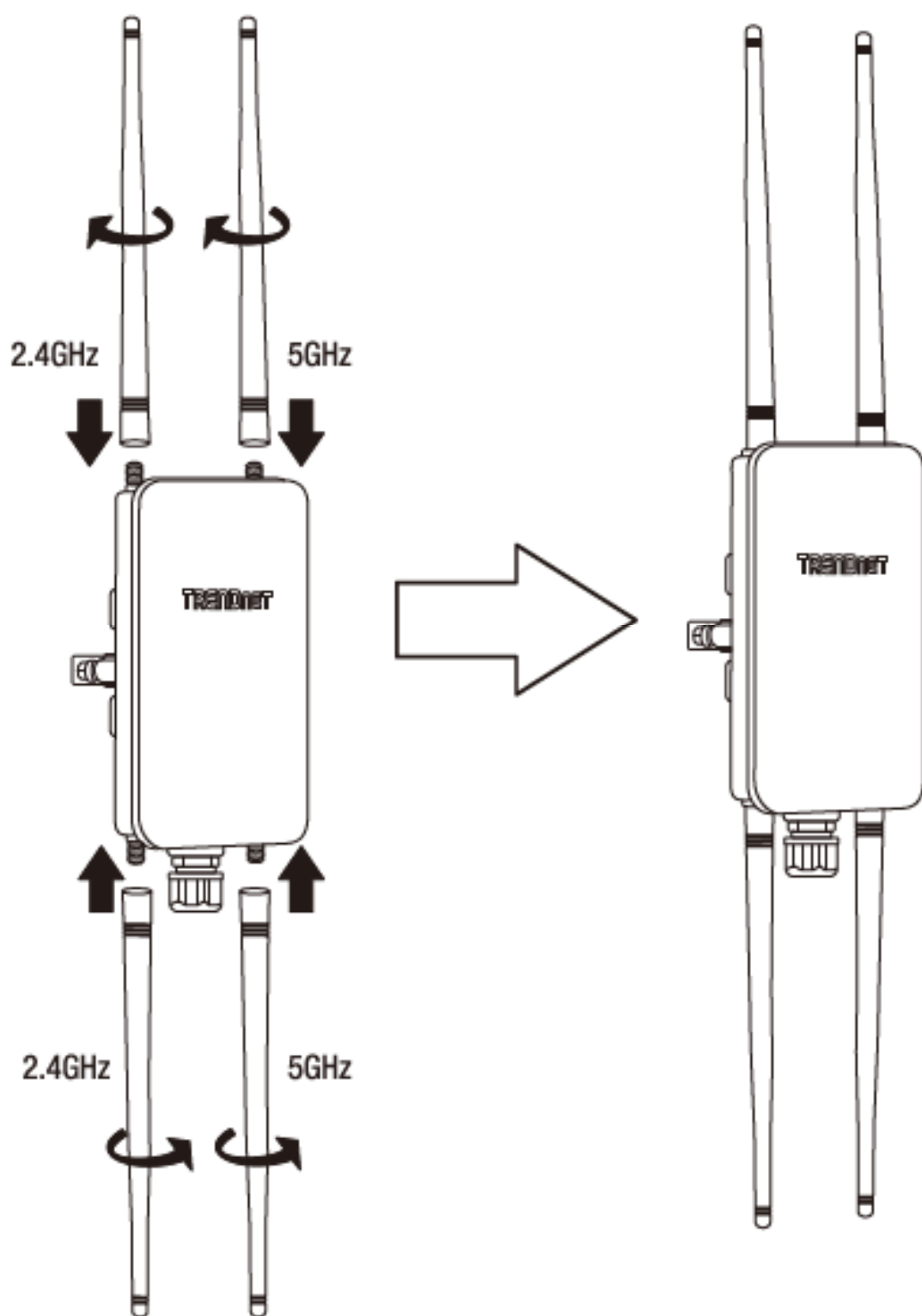
TEW-841APB0



TEW-841APB0



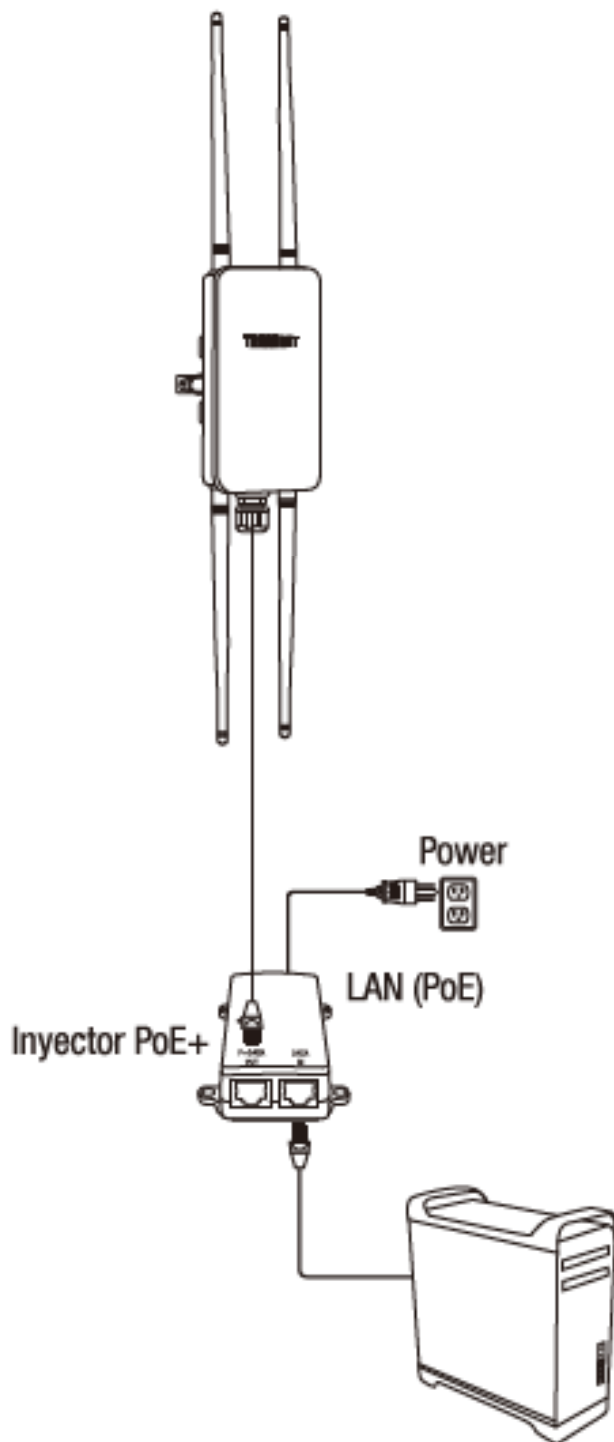
3. Instalación y configuración básica de hardware (configuración básica de puntos de acceso)



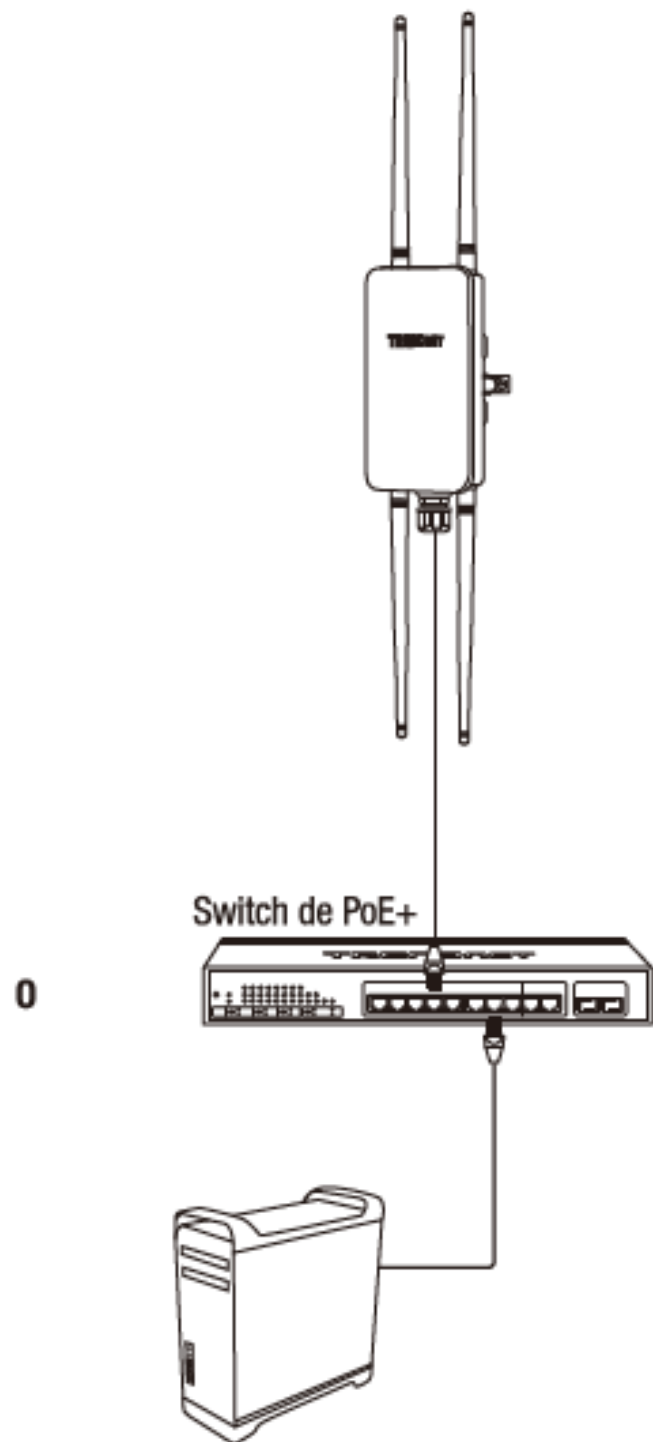
Nota: Se recomienda encarecidamente configurar el punto de acceso antes del montaje.

1. Conecte un cable de red desde el puerto LAN (PoE) de su punto de acceso al puerto LAN PoE+ disponible de su switch PoE+ o inyector PoE+ de red.
2. Utilizando otro cable de red, conecte un extremo al switch PoE+ de red o al inyector PoE+ y el otro extremo del cable de red al puerto Ethernet de su computadora.

TEW-841APB0



TEW-841APB0



3. Confirme que el dispositivo esté alimentado comprobando los indicadores LED.



4. Asígnale una dirección IP estática al adaptador de red de su computadora en la subred 192.168.10.x (p. ej. 192.168.10.25) y una máscara de subred 255.255.255.0.

Nota: Si desea más información para asignar una dirección IP estática al adaptador de red de su computadora, consulte el punto Q1 de la última sección de la guía de instalación, Consejos de instalación y resolución de problemas.

5. Abra su navegador web, escriba la URL por defecto `http://tew-841apbo` o bien la dirección IP por defecto `http://192.168.10.100` del punto de acceso wireless en la barra de direcciones, y pulse **Enter (Intro)**. La dirección IP por defecto es 192.168.10.100.

`http://tew-841apbo`

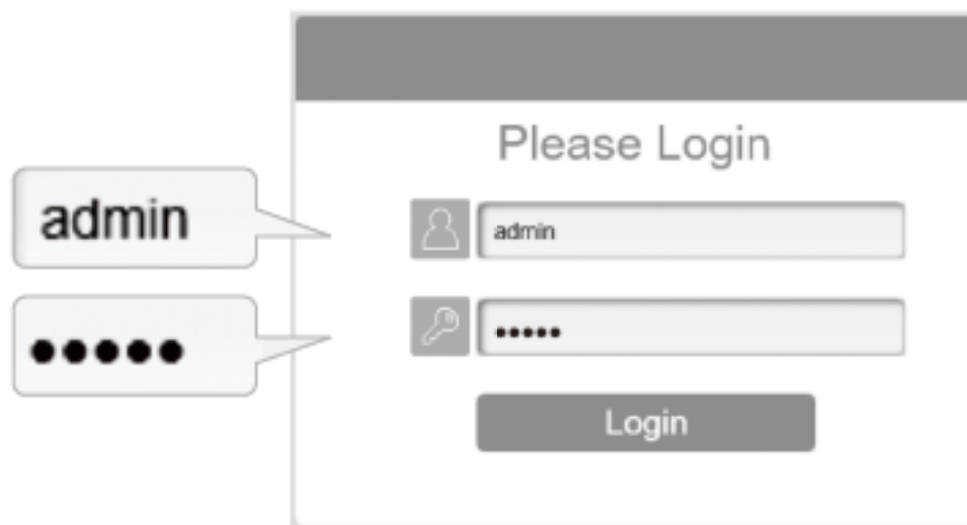
`http://192.168.10.100`

6. Cuando se le indique, conéctese a la página de configuración del navegador utilizando el nombre de usuario y la contraseña por defecto.

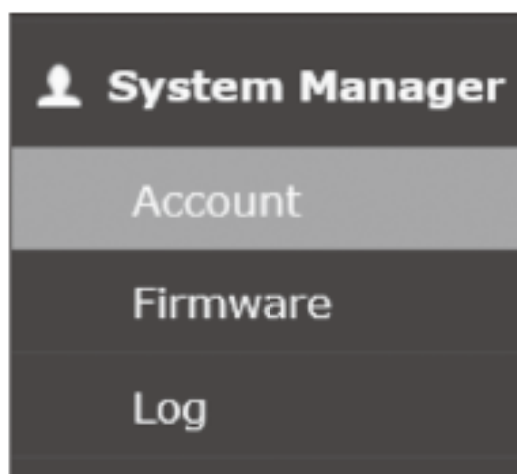
Nombre de usuario: **admin**

Contraseña: **admin**

Nota: El nombre de usuario y la contraseña distinguen entre mayúsculas y minúsculas.



7. Para cambiar la contraseña de administrador que se utiliza para acceder a la página de configuración del punto de acceso wireless, En el menú de la izquierda bajo **System Manager** (administrador del sistema), haga clic en **Account** (cuenta).



8. En **Account Settings** (configuración de la cuenta), cambie la contraseña por defecto del administrador escribiendo la contraseña actual del administrador y su nueva contraseña en los campos indicados. A continuación, haga clic en el botón **Apply** (aplicar) para guardar la nueva contraseña. Se le pedirá que vuelva a iniciar sesión con la nueva contraseña configurada.

NOTA IMPORTANTE: El dispositivo no cuenta con un botón de reinicio de hardware. Cuando cambie la contraseña de administrador a la página de configuración del punto de acceso, asegúrese de escribir su nueva contraseña.

Account Settings	
Administrator Username	admin
Current Password	***** <input type="text"/>
New Password	***** <input type="text"/>
Verify Password	***** <input type="text"/>

Apply

9. Para configurar el nombre de su red wireless/SSID y la configuración de encriptación wireless, en **Network** (red), haga clic en **Wireless**.

Nota: Por defecto, el nombre de red wireless/SSID y la encriptación wireless se han preconfigurado para mayor comodidad; se encuentran en el adhesivo de configuración wireless o en la etiqueta del dispositivo situada en la parte trasera del punto de acceso. Si va a modificar la configuración wireless, deberá conectarse al punto de acceso con sus clientes WiFi utilizando la nueva configuración.

10. Para cambiar el nombre de red wireless/SSID de la banda wireless seleccionada, bajo Wireless Settings (configuración wireless)– En la sección Access Point (punto de acceso), seleccione la banda que desee configurar (2.4GHz o 5GHz), y indique el nuevo nombre en el campo **SSID**. Haga clic en **Save (guardar)** en la parte inferior de la página para guardar provisionalmente la configuración.

Nota: Para aplicar permanentemente los cambios de configuración, puede hacer clic en **Apply** (aplicar) en el indicador que aparece en la esquina inferior derecha de la página y esperar a que el dispositivo aplique los cambios. Si va a aplicar cambios de configuración adicionales, puede aplicar los cambios temporales más adelante haciendo clic en la pestaña **Changes** (cambios) en la parte superior derecha de la página y en **Apply** en la página Configuration / Changes (configuración / cambios).

Wireless Settings - Access Point				
Enabled	SSID	2.4GHz	5GHz	Edit
<input checked="" type="checkbox"/>	TRENDnet841_2.4GHz_85	<input checked="" type="checkbox"/>	<input type="checkbox"/>	<input type="button" value="Edit"/>
<input checked="" type="checkbox"/>	TRENDnet841_5GHz_855f	<input type="checkbox"/>	<input checked="" type="checkbox"/>	<input type="button" value="Edit"/>

11. Para cambiar la clave de encriptación inalámbrica para la banda inalámbrica seleccionada, haga clic en **Editar**.

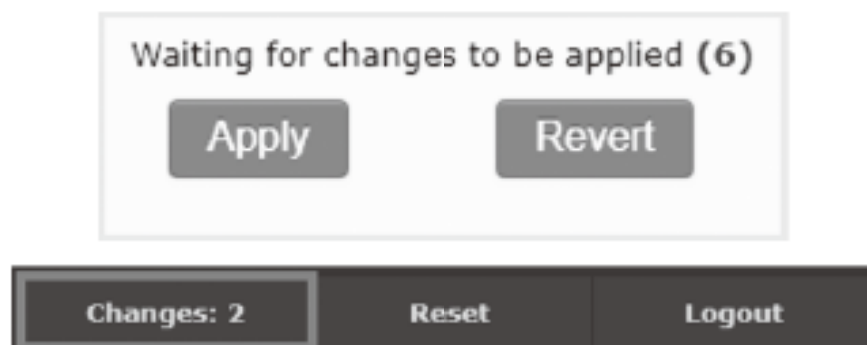
Wireless Settings - Access Point				
Enabled	SSID	2.4GHz	5GHz	Edit
<input checked="" type="checkbox"/>	TRENDnet841_2.4GHz_85	<input checked="" type="checkbox"/>	<input type="checkbox"/>	<input type="button" value="Edit"/>
<input checked="" type="checkbox"/>	TRENDnet841_5GHz_855f	<input type="checkbox"/>	<input checked="" type="checkbox"/>	<input type="button" value="Edit"/>

12. En la sección Wireless Security (seguridad wireless), introduzca la clave de encriptación en el campo **Passphrase** (frase clave). Haga clic en **Save** (guardar) en la parte inferior de la página para guardar provisionalmente la configuración.

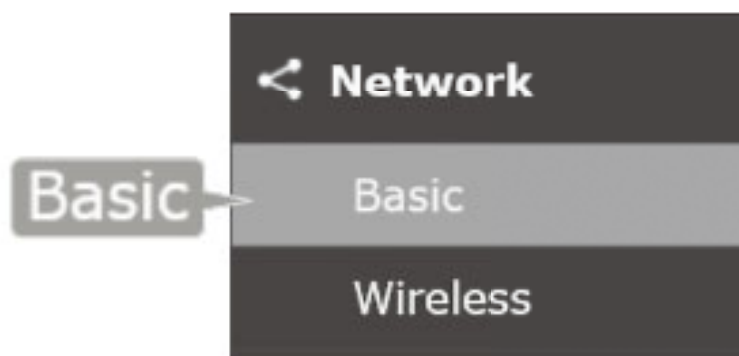
Nota: Para aplicar permanentemente los cambios de configuración, puede hacer clic en **Apply** (aplicar) en el indicador que aparece en la esquina inferior derecha de la página y esperar a que el dispositivo aplique los cambios. Si va a aplicar cambios de configuración adicionales, puede aplicar los cambios temporales más adelante haciendo clic en la pestaña **Changes** (cambios) en la parte superior derecha de la página y en **Apply** en la página Configuration / Changes (configuración / cambios).

Wireless Security	
Security Mode	WPA2-PSK
Encryption	AES
Passphrase	841000000000
Group Key Update Interval	3000 (0-3600; 0:Disable)

NOTA IMPORTANTE: Los cambios en la configuración de administración web del punto de acceso no se aplicarán permanentemente hasta que haga clic en **Apply** cuando se le indique o en la pestaña Changes en la parte superior derecha de la página y haga clic en **Apply** en la página Configuration/Changes. La pestaña Changes indicará el número de cambios de configuración temporales que están pendientes de aplicación permanente. También puede hacer clic en **Revert** (revertir) para descartar todos los cambios de configuración temporales.



13. Para configurar la dirección LAN IP de su punto de acceso, en **Network**, haga clic en **Basic** (básico).



14. En IPv4 Settings (configuración Ipv4), seleccione **DHCP** (configuración por defecto) o **Static IP** (IP estática). Si selecciona **DHCP**, su punto de acceso estará configurado para obtener configuraciones de dirección IP automáticamente desde un servidor DHCP de su red; si selecciona **Static IP**, podrá asignar manualmente la configuración de dirección IP de su punto de acceso para satisfacer los requisitos de IP de su red. Si selecciona **Static IP**, indique la nueva configuración de dirección IP en los campos **IP Address**, **Subnet Mask**, **Gateway** (dirección IP, máscara de subred, pasarela), y **Primary/Secondary DNS Server** (servidor DNS primario/secundario). Una vez que haya terminado de configurar la dirección IP del punto de acceso, haga clic en **Save** en la parte inferior de la página para guardar provisionalmente la configuración.

Nota: Para aplicar permanentemente los cambios de configuración, puede hacer clic en **Apply** (aplicar) en el indicador que aparece en la esquina inferior derecha de la página y esperar a que el dispositivo aplique los cambios. Si va a aplicar cambios de configuración adicionales, puede aplicar los cambios temporales más adelante haciendo clic en la pestaña **Changes** (cambios) en la parte superior derecha de la página y en **Apply** en la página Configuration / Changes (configuración / cambios).

IPv4 Settings

IP Network Setting	<input checked="" type="radio"/> DHCP <input type="radio"/> Static IP
--------------------	---

IPv4 Settings

IP Network Setting	<input type="radio"/> DHCP <input checked="" type="radio"/> Static IP
IP Address	<input type="text" value="192.168.10.100"/>
Subnet Mask	<input type="text" value="255.255.255.0"/>
Gateway	<input type="text" value="192.168.10.100"/>
Primary DNS	<input type="text" value="0.0.0.0"/>
Secondary DNS	<input type="text" value="0.0.0.0"/>

- Una vez terminada la configuración del punto de acceso, reconfigure el adaptador de red de su computadora a las opciones iniciales para obtener la configuración de dirección IP automáticamente mediante DHCP.

Nota: Para más información sobre cómo reconfigurar el adaptador de red de su computadora para obtener la configuración de dirección IP automáticamente mediante DHCP, consulte el punto Q2 de la última sección de la guía de instalación, Consejos de instalación y resolución de problemas.

4. Instalación y configuración del Hardware

(Punto de acceso WDS con configuración de puente punto a punto)

Nota:

1. La configuración inicial deberá efectuarse en un entorno de pruebas con los dos puntos de acceso TEW-841APBO aproximadamente a 15 pies (5 m) de distancia entre sí, con la parte frontal de los puntos de acceso frente a frente.
2. Se recomienda encarecidamente configurar y conectar los puntos de acceso antes del montaje.
3. En este ejemplo, configuraremos los dos puntos de acceso para establecer un puente WDS utilizando la banda de 5GHz.

Fase 1: Visión de conjunto

En esta guía de instalación, supondremos lo siguiente:

Configuración del router:

Default Gateway IP address (Dirección IP /de la pasarela por defecto): 192.168.10.1

Subnet Mask (Máscara de subred): 255.255.255.0

Los puntos de acceso del TEW-841APBO se configurarán con las siguientes características:

TEW-841APBO #1

IP Address (Dirección IP): 192.168.10.50

Máscara de red (máscara de subred): 255.255.255.0

Pasarela (pasarela por defecto): 192.168.10.1

Primary DNS (DNS primario): 192.168.10.1

TEW-841APBO #2

IP Address (Dirección IP): 192.168.10.51

Máscara de red (máscara de subred): 255.255.255.0

Pasarela (pasarela por defecto): 192.168.10.1

Primary DNS (DNS primario): 192.168.10.1

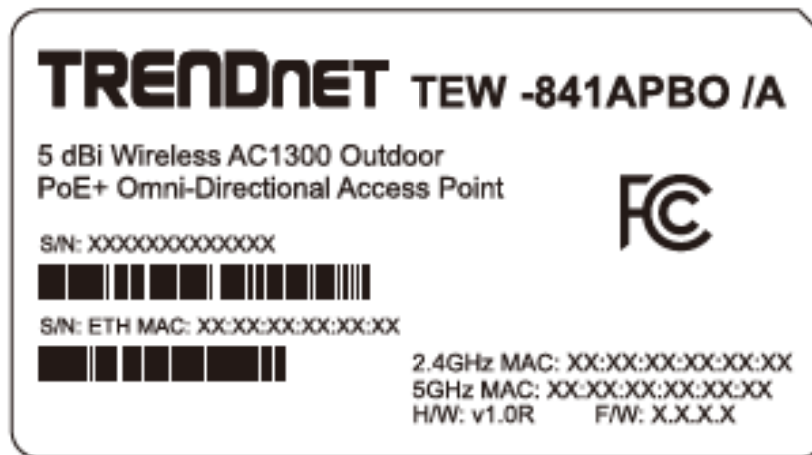
En este ejemplo, supondremos que los puntos de acceso utilizan las siguientes direcciones MAC:

TEW-841APBO #1 5GHz WiFi MAC Address (Dirección MAC WiFi): 00:11:22:33:44:00

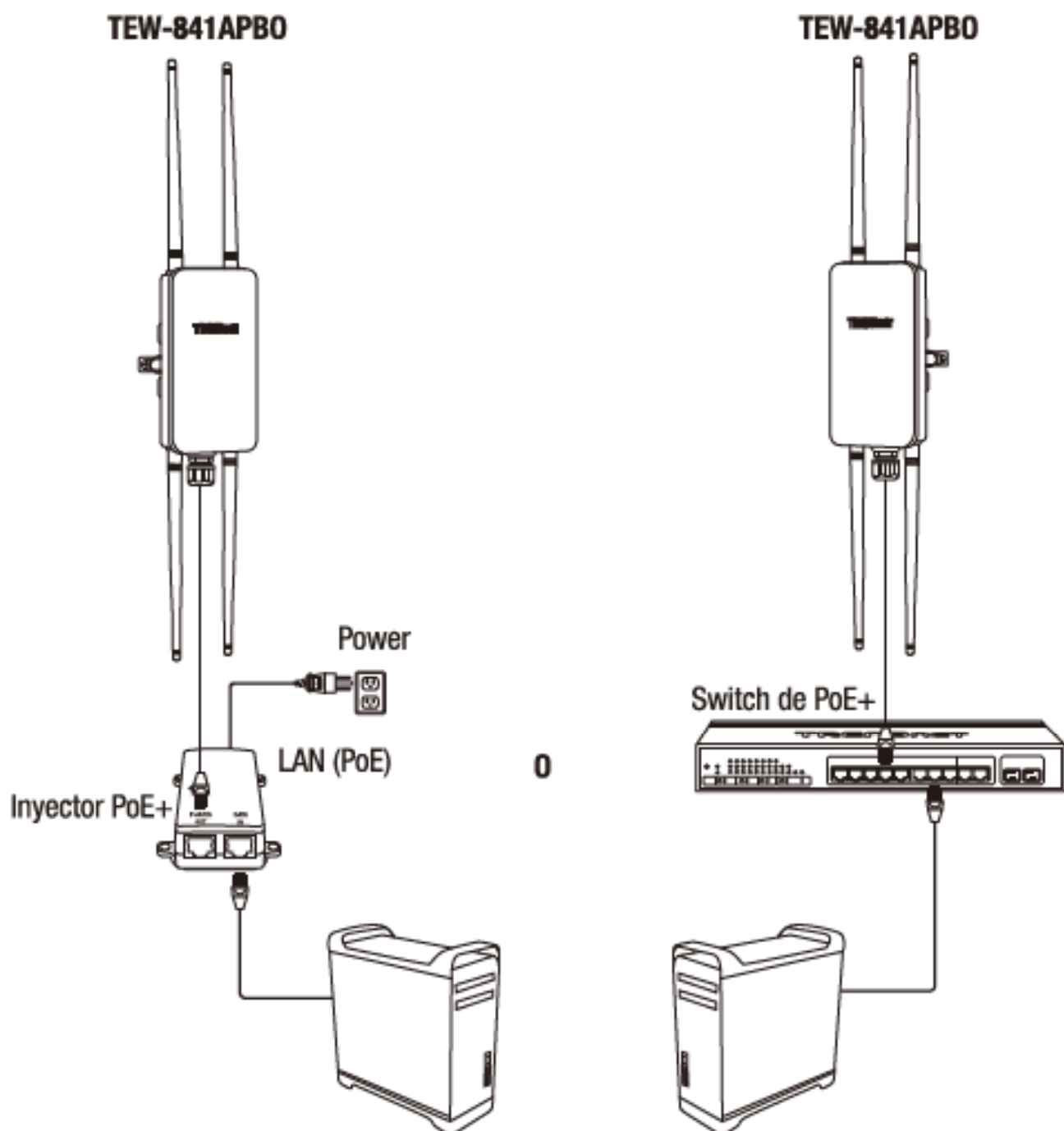
TEW-841APBO #2 5GHz WiFi MAC Address (Dirección MAC WiFi): 00:11:22:33:44:11

Fase 2: Instalación y configuración de hardware de la unidad TEW-841APBO nº 1

1. Escriba la dirección MAC WiFi (MAC 5GHz) de los puntos de acceso TEW-841APBO #1 y TEW-841APBO #2 que se encuentra en la etiqueta del dispositivo según se muestra a continuación.



2. Conecte un cable de red desde el puerto LAN (PoE) de su punto de acceso al puerto LAN PoE+ disponible de su switch PoE+ o inyector PoE+ de red.
3. Utilizando otro cable de red, conecte un extremo al switch PoE+ de red o al inyector PoE+ y el otro extremo del cable de red al puerto Ethernet de su computadora.



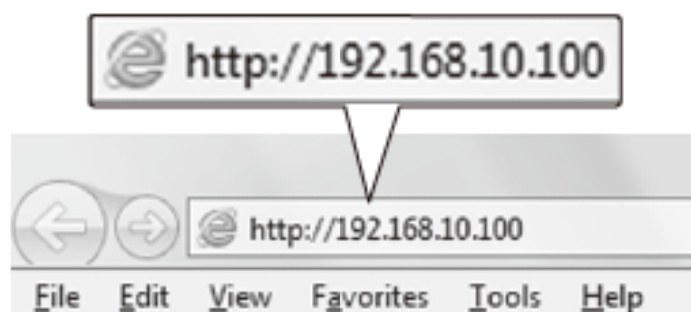
4. Asigne una dirección IP estática al adaptador de red de su computadora en la subred 192.168.10.x (p. ej. 192.168.10.10) y una máscara de subred 255.255.255.0.

5. Abra su navegador web, escriba la dirección IP del punto de acceso en la barra de direcciones y pulse **Intro**. La dirección IP por defecto es 192.168.10.100.

Nota: Si ha cambiado la dirección IP del punto de acceso en la sección anterior, Sección 3: Instalación y configuración básica del hardware (configuración básica del punto de acceso), deberá utilizar la nueva dirección IP que asignó.

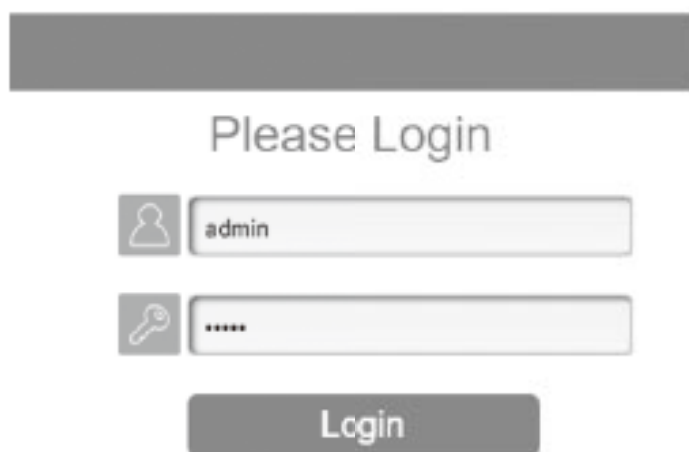
6. Abra su navegador web, escriba la dirección IP del punto de acceso en la barra de direcciones y pulse **Intro**. La dirección IP por defecto es 192.168.10.100.

Nota: Si ha cambiado la dirección IP del punto de acceso en la sección anterior, Sección 3: Instalación y configuración básica del hardware (configuración básica del punto de acceso), deberá utilizar la nueva dirección IP que asignó.



7. Cuando se le indique, conéctese a la página de configuración del navegador. El identificador de usuario y la contraseña por defecto son **admin**.

Nota: El identificador y la contraseña distinguen entre mayúsculas y minúsculas. Si ha cambiado la contraseña de administrador del punto de acceso en la sección anterior, Sección 3: Instalación y configuración básica del hardware (configuración básica del punto de acceso), deberá utilizar la nueva contraseña que asignó.



8. Para configurar la dirección IP de su punto de acceso LAN, en **Network**, haga clic en **Basic**.

9. En IPv4 Settings, seleccione **Static IP** e introduzca la dirección IP **192.168.10.50**, Subnet Mask **255.255.255.0**, Gateway **192.168.10.1** y Primary DNS **192.168.10.1**. Una vez que haya terminado de configurar la dirección IP del punto de acceso, haga clic en **Save** en la parte inferior de la página para guardar provisionalmente la configuración.

Nota: Para aplicar permanentemente los cambios de configuración, puede hacer clic en **Apply** (aplicar) en el indicador que aparece en la esquina inferior derecha de la página y esperar a que el dispositivo aplique los cambios. Si va a aplicar cambios de configuración adicionales, puede aplicar los cambios temporales más adelante haciendo clic en la pestaña **Changes** (cambios) en la parte superior derecha de la página y en **Apply** en la página Configuration / Changes (configuración / cambios).

Nota: Cuando configure la dirección IP del TEW-841APB0 #2, introduzca la dirección IP 192.168.10.51 y la misma configuración de máscara de subred, pasarela y DNS principal.

IPv4 Settings	
IP Network Setting	<input checked="" type="radio"/> DHCP <input type="radio"/> Static IP
IP Network Setting	<input type="radio"/> DHCP <input checked="" type="radio"/> Static IP
IP Address	192.168.10.50
Subnet Mask	255.255.255.0
Gateway	192.168.10.1
Primary DNS	192.168.10.1
Secondary DNS	0.0.0.0

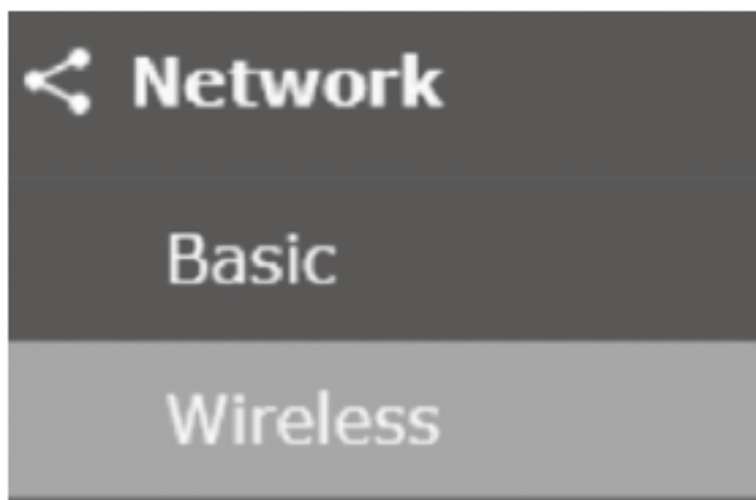
NOTA IMPORTANTE: Los cambios en la configuración de administración web del punto de acceso no se aplicarán permanentemente hasta que haga clic en **Apply** cuando se le indique o en la pestaña **Changes** en la parte superior derecha de la página y haga clic en **Apply** en la página Configuration / Changes. La pestaña **Changes** indicará el número de cambios de configuración temporales que están pendientes de aplicación permanente. También puede hacer clic en **Revert** (revertir) para descartar todos los cambios de configuración temporales.

Waiting for changes to be applied (6)

Apply
Revert

Changes: 2
Reset
Logout

10. Para configurar la configuración del puente WDS wireless, en **Network**, haga clic en **Wireless**.

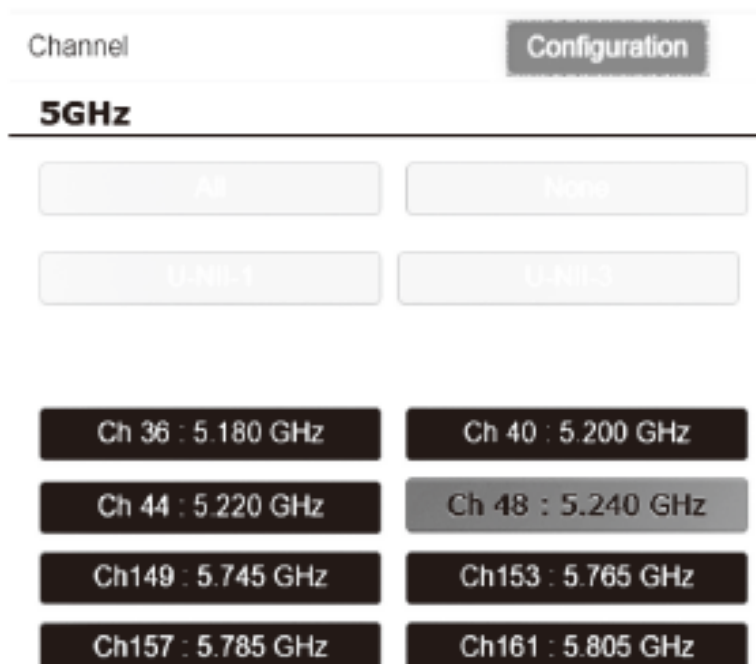


11. En **5GHz**, haga clic en la lista desplegable **Operation Mode** (modo de funcionamiento) y seleccione **WDS Access Point** (Punto de acceso WDS).

	2.4GHz	5GHz
Operation Mode	Access Point ▾	WDS Access Pnt ▾
Wireless Mode	802.11 B/G/N ▾	802.11 AC/N ▾
Channel HT Mode	20MHz ▾	40MHz/AC Only ▾

12. Al lado de **Channel** (canal), haga clic en **Configuration** (configuración), y en la sección **5GHz**, asegúrese de que el canal 48 esté seleccionado y haga clic en **Save** en la parte inferior de la página.

Nota: Al configurar el TEW-841APBO #1, el canal wireless de 5GHz debe ser el mismo que el del TEW-841APBO #2.



13. En **WDS Link Settings – 5GHz** (configuración de enlaces WDS - 5GHz), haga clic en la lista desplegable **Security** (seguridad) y seleccione **AES**. Introduzca una clave de encriptación WDS en el campo **AES Passphrase** (frase clave de AES) (8-63 caracteres alfanuméricos).

Nota: Al configurar el TEW-841APBO #2, la frase clave de WDS AES debe ser la misma que la del TEW-841APBO #1.

WDS Link Settings - 5GHz

Security	AES
AES Passphrase	XXXXXXXX (8-63 ASCII characters or 64 hexadecimal digits)

14. En la sección **MAC Address** (dirección MAC), haga clic en la lista desplegable **Mode** (modo) y seleccione **Enable** (activar). En los campos facilitados, introduzca la dirección MAC WiFi de 5GHz del TEW-841APBO #2 y haga clic en **Save** en la parte inferior de la página.

Nota: Para aplicar permanentemente los cambios de configuración, puede hacer clic en **Apply** (aplicar) en el indicador que aparece en la esquina inferior derecha de la página y esperar a que el dispositivo aplique los cambios. Si va a aplicar cambios de configuración adicionales, puede aplicar los cambios temporales más adelante haciendo clic en la pestaña **Changes** (cambios) en la parte superior derecha de la página y en **Apply** en la página Configuration / Changes (configuración / cambios).

MAC Address Mode

00 : 11 : 22 : 33 : 44 : 11 Enable

Waiting for changes to be applied (6)

Apply Revert

Changes: 2 Reset Logout

Fase 3: Instalación y configuración de hardware de la unidad TEW-841APBO n° 2

Al configurar el TEW-841APBO #2, repita todos los pasos de instalación y configuración de la Fase 2.

1. En el paso 9, En IPv4 Settings, seleccione Static IP e introduzca la dirección IP 192.168.10.51, Subnet Mask 255.255.255.255.0, Gateway 192.168.10.1 y Primary DNS 192.168.10.1. Una vez que haya terminado de configurar la dirección IP del punto de acceso, haga clic en **Save** en la parte inferior de la página para guardar provisionalmente la configuración.

Nota: Para aplicar permanentemente los cambios de configuración, puede hacer clic en **Apply** (aplicar) en el indicador que aparece en la esquina inferior derecha de la página y esperar a que el dispositivo aplique los cambios. Si va a aplicar cambios de configuración adicionales, puede aplicar los cambios temporales más adelante haciendo clic en la pestaña **Changes** (cambios) en la parte superior derecha de la página y en **Apply** en la página Configuration / Changes (configuración / cambios).

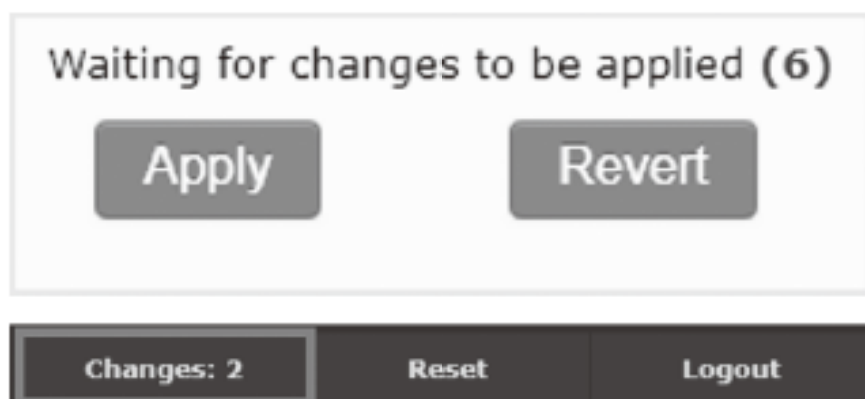
IPv4 Settings	
IP Network Setting	<input type="radio"/> DHCP <input checked="" type="radio"/> Static IP
IP Address	<input type="text" value="192.168.10.51"/>
Subnet Mask	<input type="text" value="255.255.255.0"/>
Gateway	<input type="text" value="192.168.10.1"/>
Primary DNS	<input type="text" value="192.168.10.1"/>
Secondary DNS	<input type="text" value="0.0.0.0"/>

2. En el paso 14, en la sección **MAC Address**, haga clic en la lista desplegable **Mode** y seleccione **Enable**. En los campos facilitados, introduzca la dirección MAC WiFi de 5GHz del TEW-841APBO #1 y haga clic en **Save** en la parte inferior de la página.

Nota: Para aplicar permanentemente los cambios de configuración, puede hacer clic en **Apply** (aplicar) en el indicador que aparece en la esquina inferior derecha de la página y esperar a que el dispositivo aplique los cambios. Si va a aplicar cambios de configuración adicionales, puede aplicar los cambios temporales más adelante haciendo clic en la pestaña **Changes** (cambios) en la parte superior derecha de la página y en **Apply** en la página Configuration / Changes (configuración / cambios).

MAC Address						Mode
<input type="text" value="00"/>	<input type="text" value="11"/>	<input type="text" value="22"/>	<input type="text" value="33"/>	<input type="text" value="44"/>	<input type="text" value="00"/>	<input type="text" value="Enable"/>

NOTA IMPORTANTE: Los cambios en la configuración de administración web del punto de acceso no se aplicarán permanentemente hasta que haga clic en **Apply** cuando se le indique o en la pestaña **Changes** en la parte superior derecha de la página y haga clic en **Apply** en la página **Configuration/Changes**. La pestaña **Changes** indicará el número de cambios de configuración temporales que están pendientes de aplicación permanente. También puede hacer clic en **Revert** (revertir) para descartar todos los cambios de configuración temporales.

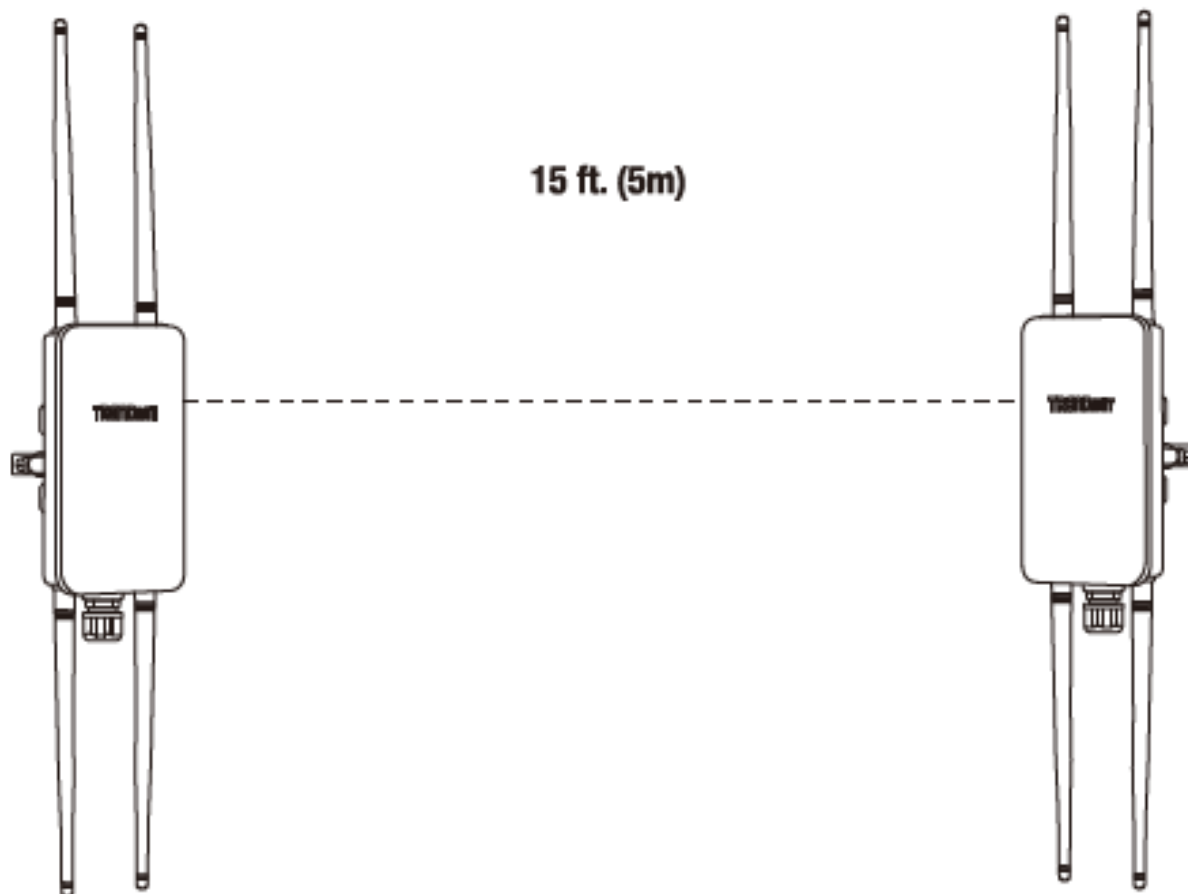


Fase 4: Confirmar la conectividad

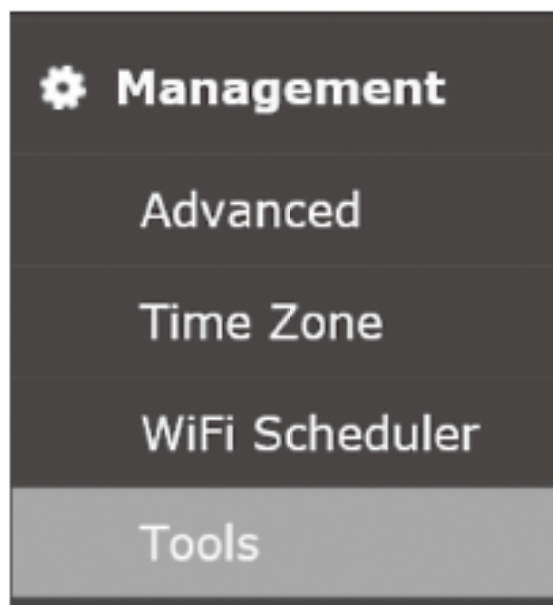
1. Deje su computadora conectada al TEW-841APBO #2 y la interfaz de administración web punto de acceso abierta.
2. Asegúrese de que tanto el punto de acceso TEW-841APBO #1 como el TEW-841APBO #2 estén alimentados y aproximadamente a 15 pies (5 m) de distancia entre sí, con la parte frontal de los puntos de acceso frente a frente.

TEW-841APBO #1

TEW-841APBO #2



3. Para verificar la conectividad, en la página de configuración del punto de acceso TEW-841APBO #2, en **Management** (administración), haga clic en **Tools** (herramientas) y haga clic en **Ping**.



4. En el campo **Target IP / Domain Name** (nombre de dominio / IP de destino), introduzca la dirección IP del punto de acceso TEW-841APBO #1 (192.168.10.50) y haga clic en **Start** (iniciar).

Ping Test Parameters

Target IP / Domain Name	<input type="text" value="192.168.10.50"/>	
Ping Packet Size	<input type="text" value="64"/>	Bytes
Number of Pings	<input type="text" value="4"/>	
<input type="button" value="Start"/>		

5. Las respuestas de ping y una pérdida de 0% en paquetes indicarán una conexión correcta de puente punto a punto entre el TEW-841APBO #1 y el # 2.

Nota: Si falla la prueba de conectividad, espere un minuto e inténtelo de nuevo. Asegúrese de que no haya obstáculos entre los dos puntos de acceso al ejecutar la prueba de conectividad y que los dos puntos de acceso no estén demasiado cerca el uno del otro.

5. Instalación de kit impermeable

1. Desenrosque la tuerca de fijación del cuerpo principal.
2. Retire la junta de goma de la pinza.
3. Compruebe que tiene las siguientes piezas:



Manga para cable



Junta

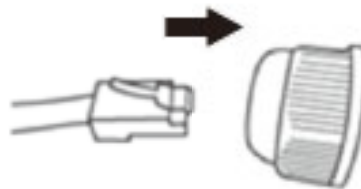


Pinza

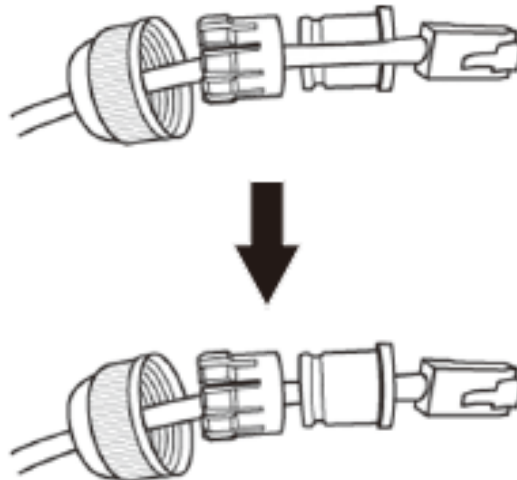


Tuerca de fijación

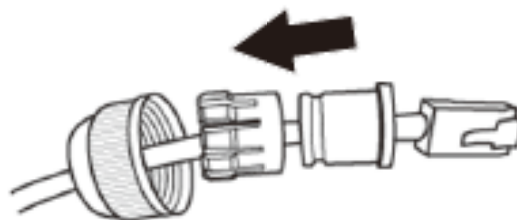
4. Introduzca un extremo del cable Ethernet en la tuerca de fijación.



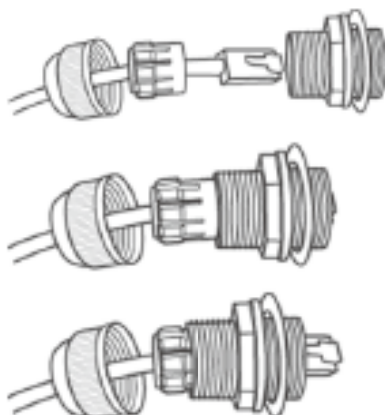
5. Introduzca el cable Ethernet en la junta.



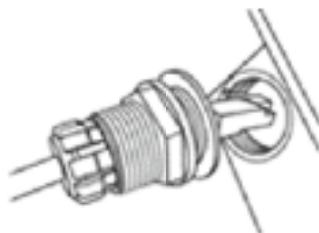
6. Introduzca la junta dentro de la pinza.



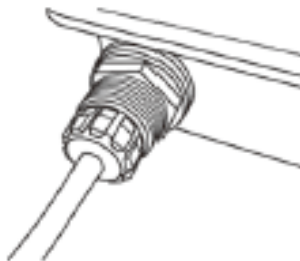
7. Inserte la junta/pinza de goma en la manga para cable.



8. Conecte el cable Ethernet al puerto PoE de la parte posterior del punto de acceso.



9. Con la mano, enrosque el cuerpo principal en sentido contrario a las agujas del reloj para fijarlo al punto de acceso.



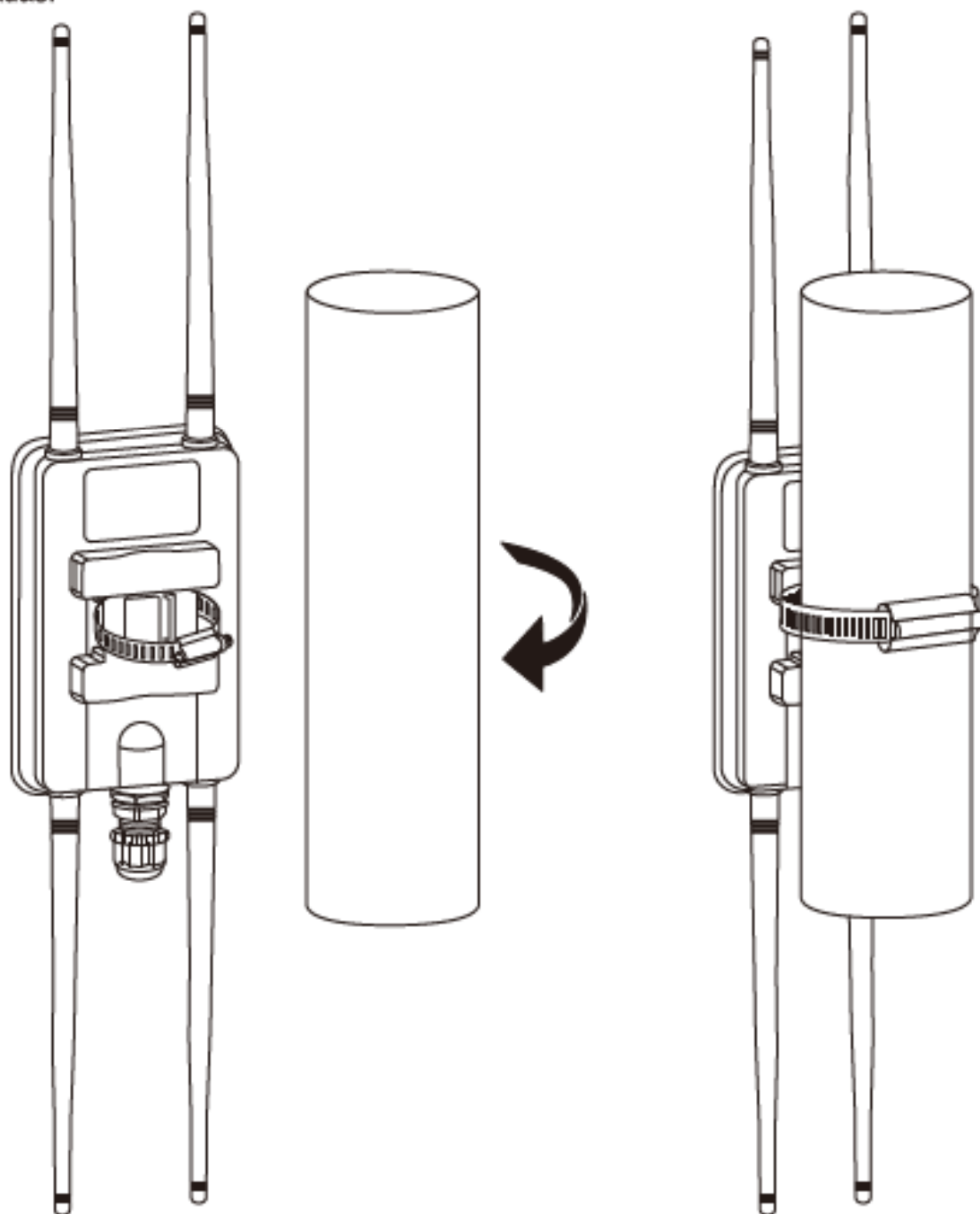
10. Con la mano, enrosque la tuerca de fijación en sentido contrario a las agujas del reloj para fijarla al cuerpo principal.



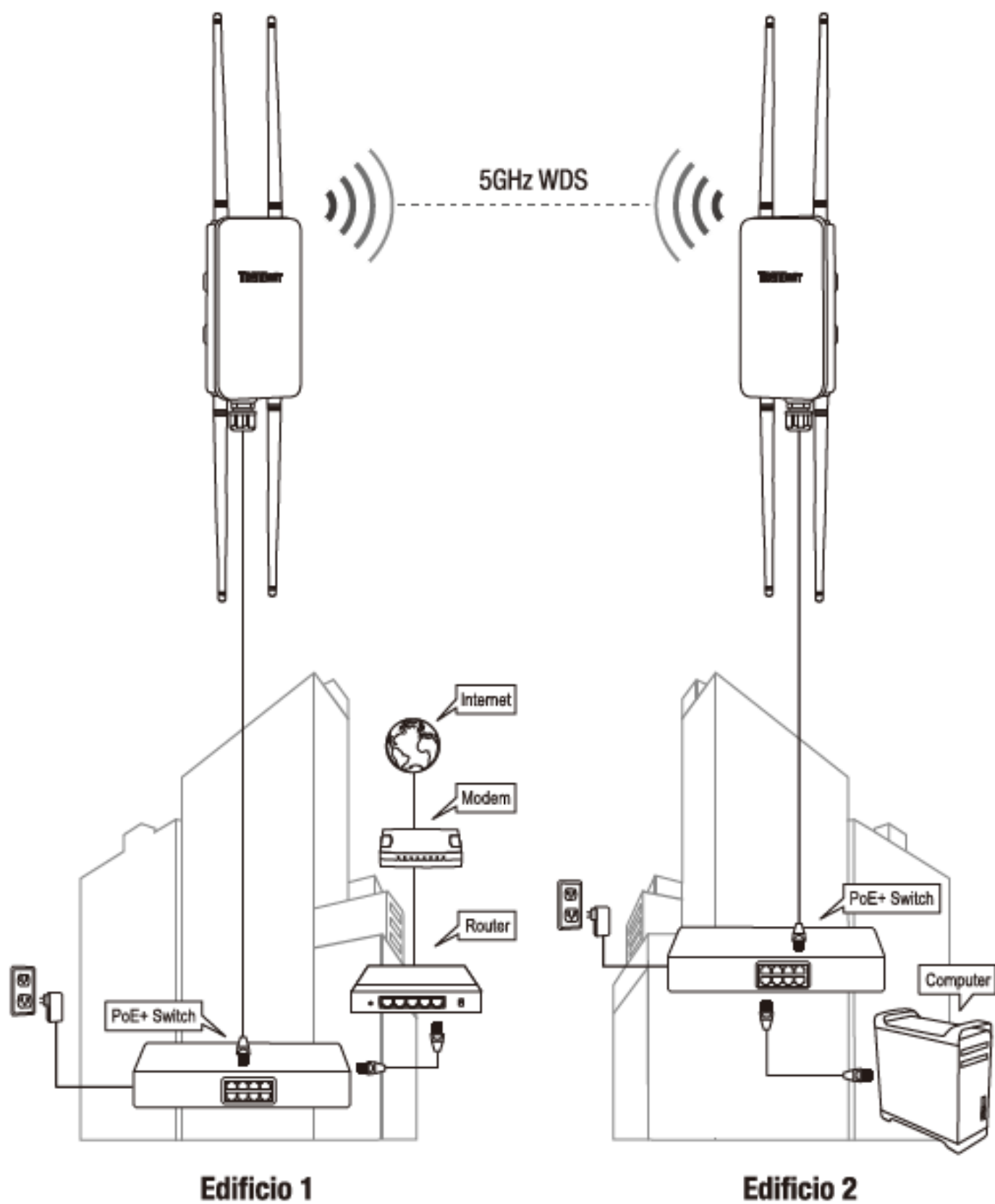
6. Instalación del montaje en poste

Nota: La abrazadera para instalación en poste admite postes de hasta 66mm de diámetro (2.63 pulgadas)

1. Inserte la abrazadera para montaje en poste en el orificio situado en la parte trasera del punto de acceso.
2. Enrolle la abrazadera alrededor del poste donde se instalará el punto de acceso y fijela girando el tornillo de la abrazadera en el sentido de las agujas del reloj a la altura y posición deseadas.



Referencia de instalación terminada



Installation Tips and Troubleshooting

Q1: How do I configure my computer's network adapter with a static IP address?

Note: Please note that although the following procedures are provided to follow for your operating system network adapter settings to be used as general guidelines, however, it is strongly recommended that you consult your computer or operating system manufacturer directly for assistance on the proper procedure for configuring network settings. If you are experiencing difficulties, please contact your computer or operating system manufacturer for assistance.

Windows 2000/XP/Vista/7/8/8.1/10

1. On your keyboard, press **Windows Logo + R** keys simultaneously to bring up the Run dialog box.
2. In the dialog box, type **ncpa.cpl** to bring up the Network Connections window.
3. Right-click the **Local Area Connection** or **Ethernet** icon, click **Properties**, and double-click **Internet Protocol Version 4 (TCP/IPv4)**.
4. Then click **Use the following IP address** and assign your network adapter a static IP address. See example static IP address settings below.
 - IP address: 192.168.10.25
 - Subnet mask: 255.255.255.0
5. Click **OK** on both TCP/IPv4 Properties and Local Area Connection Properties windows.

MAC OS X

1. From the **Apple** drop-down list, select **System Preferences**.
2. Click the **Network** icon.
3. From the **Location** drop-down list, select **Automatic**.
4. Select and view your Ethernet connection.
 - For MAC OS 10.4, from the **Show** drop-down list, select **Built-in Ethernet** and select the **TCP/IP** tab.
 - For MAC OS 10.5 and above, in the left column, select **Ethernet**.
5. Configure TCP/IP to use a static IP.
 - From the **Configure IPv4** or **Configure** drop-down list, select **Manually** and assign your network adapter a static IP address. Then click the **Apply** or **Apply Now** button. See example static IP address settings below.
 - IP address: 192.168.10.25
 - Subnet mask: 255.255.255.0
6. You may be prompted to restart your computer to apply the new IP address settings.

Q2: I configured my computer's network adapter with a static IP address, how do I reconfigure my computer's network adapter to default settings and obtain an IP address automatically using DHCP?

Note: Please note that although the following procedures are provided to follow for your operating system network adapter settings to be used as general guidelines, however, it is strongly recommended that you consult your computer or operating system manufacturer directly for assistance on the proper procedure for configuring network settings. If you are experiencing difficulties, please contact your computer or operating system manufacturer for assistance.

Windows 2000/XP/Vista/7/8/8.1/10

1. On your keyboard, press **Windows Logo + R** keys simultaneously to bring up the Run dialog box.
2. In the dialog box, type **ncpa.cpl** to bring up the Network Connections window.
3. Right-click the **Local Area Connection** or **Ethernet** icon, click **Properties**, and double-click **Internet Protocol Version 4 (TCP/IPv4)**.
4. Then click **Obtain an IP address automatically** and **Obtain DNS server address automatically**.
5. Click **OK** on both TCP/IPv4 Properties and Local Area Connection Properties windows.

MAC OS X

1. From the **Apple** drop-down list, select **System Preferences**.
2. Click the **Network** icon.
3. From the **Location** drop-down list, select **Automatic**.
4. Select and view your Ethernet connection.
 - In MAC OS 10.4, from the **Show** drop-down list, select **Built-in Ethernet** and select the **TCP/IP** tab.
 - In MAC OS 10.5 and above, in the left column, select **Ethernet**.
5. Configure TCP/IP to use a static IP.
 - From the **Configure IPv4** or **Configure** drop-down list, select **Using DHCP** and click the **Apply** or **Apply Now** button.
6. You may be prompted to restart your computer to apply the new IP address settings.

Q3: I typed http://192.168.10.100 in my Internet Browser Address Bar, but an error message says "The page cannot be displayed." How can I access the wireless access point management page?

1. Double check all physical cable and port connections.
2. Make sure the PWR/LAN/2.4GHz/5GHz LEDs on the wireless access point front panel are on.
3. Make sure your computer's network adapter is configured with a static IP address. (Refer to Q1 for instructions on assigning a static IP address).
4. Make sure your computer is connected to the access point network LAN port and LAN LED is on.
5. Since the access point default IP address is 192.168.10.100, make sure there are no other network devices assigned an IP address of 192.168.10.100

Note: After checking all of the recommended items above, please attempt to access the wireless access point management page again.

Q4: How do I find the current IP address of my computer's network adapter?

Note: Please note that although the following procedures are provided to follow for your operating system network adapter settings to be used as general guidelines, however, it is strongly recommended that you consult your computer or operating system manufacturer directly for assistance on the proper procedure for configuring network settings. If you are experiencing difficulties, please contact your computer or operating system manufacturer for assistance.

Command Prompt Method

Windows 2000/XP/Vista/7/8/8.1/10

1. On your keyboard, press **Windows Logo + R** keys simultaneously to bring up the Run dialog box.
2. In the dialog box, type **cmd** to bring up the command prompt.
3. In the command prompt, type **ipconfig /all** to display your IP address settings.

MAC OS X

1. Navigate to your **Applications** folder and open Utilities.
2. Double-click on **Terminal** to launch the command prompt.
3. In the command prompt, type **ipconfig getifaddr <en0 or en1>** to display the wired or wireless IP address settings.

Note: **en0** is typically the wired Ethernet and **en1** is typically the wireless Airport interface.

Graphical Method

Windows XP/Vista/7/8/8.1/10

1. On your keyboard, press **Windows Logo + R** keys simultaneously to bring up the Run dialog box.
2. In the dialog box, type **ncpa.cpl** to bring up the Network Connections window.
3. Double-click the Local Area Connection icon and click the Details button to view the current IP address settings.

Note: The computer's network adapter must be enabled and connected to view the current IP address settings.

MAC OS X

1. From the **Apple** menu, select **System Preferences**.
2. In System Preferences, from the **View** menu, select **Network**.
3. In the Network preference window, click a network port (e.g., Ethernet, AirPort, modem). If you are connected, you'll see your IP address settings under "Status:"

Conseils d'installation et de dépannage

Q1: Comment configurer l'adaptateur réseau de mon ordinateur avec une adresse IP statique ?

Remarque: Veuillez noter que, bien que les procédures suivantes sont fournies en respectant les paramètres de l'adaptateur réseau de votre système d'exploitation comme directives générales, nous vous recommandons vivement de consulter directement le fabricant de votre ordinateur ou de votre système d'exploitation afin d'obtenir de l'assistance concernant la procédure exacte de configuration des paramètres réseau. Si vous rencontrez des difficultés, veuillez contacter le fabricant de votre ordinateur ou de votre système d'exploitation pour obtenir une assistance.

Windows 2000/XP/Vista/7/8/8.1/10

1. Sur votre clavier, enfoncez simultanément les touches **Logo Windows + R** pour lancer la boîte de dialogue Exécuter.
2. Dans la boîte de dialogue, tapez **ncpa.cpl** pour lancer la fenêtre Network Connections (Connexions réseau).
3. Faites un clic droit sur l'icône **Local Area Connection (Connexion au réseau local)** ou Ethernet, cliquez sur **Properties (Propriétés)** et double-cliquez sur **Internet Protocol Version 4 (Protocole Internet version 4) (TCP/IPv4)**.
4. Cliquez ensuite sur **Use the following IP address (Utiliser l'adresse IP suivante)** et assignez une adresse IP statique à votre adaptateur réseau. Voir un exemple des paramètres d'adresse IP statique ci-dessous.
 - Adresse IP: 192.168.10.25
 - Masque de sous-réseau: 255.255.255.0
5. Cliquez sur **OK** les fenêtres TCP/IPv4 Properties (Propriétés TCP/IPv4) et Local Area Connection Properties (Propriétés de la connexion au réseau local).

MAC OS X

1. Dans le menu déroulant **Apple**, sélectionnez **System Preferences (Préférences système)**.
2. Cliquez sur l'icône **Network (Réseau)**.
3. Dans le menu déroulant **Location (Emplacement)**, sélectionnez **Automatic**.
4. Sélectionnez et visualisez votre connexion Ethernet.
 - Sur MAC OS 10.4, dans le menu déroulant **Show (Montrer)**, sélectionnez **Built-in Ethernet (Ethernet intégré)** et sélectionnez l'onglet **TCP/IP**.
 - Sur MAC OS 10.5 et supérieur, dans la colonne de gauche, sélectionnez **Ethernet**.

5. Configurez le TCP/IP afin qu'il utilise un IP statique.
 - Dans le menu déroulant **Configure IPv4 (Configuration IPv4)** ou **Configure (Configuration)**, sélectionnez **Manually (Manuellement)** et assignez une adresse IP statique à votre adaptateur réseau. Cliquez ensuite sur le bouton **Apply (Appliquer)** ou **Apply Now (Appliquer maintenant)**. Voir un exemple des paramètres d'adresse IP statique ci-dessous.
 - Adresse IP: 192.168.10.25
 - Masque de sous-réseau: 255.255.255.0
6. Il se peut que vous receviez un message vous invitant à redémarrer votre ordinateur afin d'appliquer les nouveaux paramètres d'adresse IP.

Q2: J'ai configuré l'adaptateur réseau de mon ordinateur avec une adresse IP statique, comment reconfigurer l'adaptateur réseau de mon ordinateur pour restaurer les paramètres par défaut et obtenir une adresse IP automatiquement en utilisant le DHCP ?

Remarque: Veuillez noter que, bien que les procédures suivantes sont fournies en respectant les paramètres de l'adaptateur réseau de votre système d'exploitation comme directives générales, nous vous recommandons vivement de consulter directement le fabricant de votre ordinateur ou de votre système d'exploitation afin d'obtenir de l'assistance concernant la procédure exacte de configuration des paramètres réseau. Si vous rencontrez des difficultés, veuillez contacter le fabricant de votre ordinateur ou de votre système d'exploitation pour obtenir une assistance.

Windows 2000/XP/Vista/7/8/8.1/10

1. Sur votre clavier, enfoncez simultanément les touches **Logo Windows + R** pour lancer la boîte de dialogue Exécuter.
2. Dans la boîte de dialogue, tapez **ncpa.cpl** pour lancer la fenêtre Network Connections (Connexions réseau).
3. Faites un clic droit sur l'icône **Local Area Connection (Connexion au réseau local)** ou **Ethernet**, cliquez sur **Properties (Propriétés)** et double-cliquez sur **Internet Protocol Version 4 (Protocole Internet version 4) (TCP/IPv4)**.
4. Cliquez en suite sur **Obtain an IP address automatically (Obtenir une adresse IP automatiquement)** et sur **Obtain DNS Server address automatically (Obtenir une adresse serveur DNS automatiquement)**.
5. Cliquez sur **OK** les fenêtres TCP/IPv4 Properties (Propriétés TCP/IPv4) et Local Area Connection Properties (Propriétés de la connexion au réseau local).

MAC OS X

1. Dans le menu déroulant **Apple**, sélectionnez **System Preferences (Préférences système)**.
2. Cliquez sur l'icône **Network (Réseau)**.

3. Dans le menu déroulant **Location (Emplacement)**, sélectionnez **Automatic**.
4. Sélectionnez et visualisez votre connexion Ethernet.
 - Sur MAC OS 10.4, dans le menu déroulant **Show (Montrer)**, sélectionnez **Built-in Ethernet (Ethernet intégré)** et sélectionnez l'onglet **TCP/IP**.
 - Sur MAC OS 10.5 et supérieur, dans la colonne de gauche, sélectionnez **Ethernet**.
5. Configurez le TCP/IP afin qu'il utilise un IP statique.
 - Dans le menu déroulant **Configure IPv4 (Configuration IPv4)** ou **Configure (Configuration)**, sélectionnez **Using DHCP** et Cliquez ensuite sur le bouton **Apply (Appliquer)** ou **Apply Now (Appliquer maintenant)**..
6. Il se peut que vous receviez un message vous invitant à redémarrer votre ordinateur afin d'appliquer les nouveaux paramètres d'adresse IP.

Q3: J'ai saisi l'adresse IP http://192.168.10.100 dans la barre d'adresse de mon navigateur Internet, mais un message d'erreur m'informe que « La page ne peut être affichée ». Comment puis-je accéder à la page de gestion du Access Point WiFi ?

1. Vérifier soigneusement les connexions physiques de tous les câbles et des ports.
2. Assurez-vous que les voyants PWR/L^{an}/2.4GHz/5GHz LEDs sur le panneau avant du point d'accès sans fil sont allumés.
3. Assurez-vous que l'adaptateur réseau de votre ordinateur est bien configuré avec une adresse IP statique. (Voir Q1 pour les instructions relatives à l'attribution d'une adresse IP statique).
4. Assurez-vous que votre ordinateur est connecté au port LAN réseau du point d'accès et que la LED LAN est allumée.
5. Puisque l'adresse IP par défaut du points d'accès est 192.168.10.100, assurez-vous qu'aucun autre dispositif réseau n'a reçu la même adresse IP.

Remarque: Après avoir effectué toutes les vérifications ci-dessus, veuillez à nouveau tenter d'accéder à la page de gestion du points d'accès.

Q4: Comment trouver l'adresse IP actuelle de l'adaptateur réseau de mon ordinateur ?

Note: Veuillez noter que, bien que les procédures suivantes sont fournies en respectant les paramètres de l'adaptateur réseau de votre système d'exploitation comme directives générales, nous vous recommandons vivement de consulter directement le fabricant de votre ordinateur ou de votre système d'exploitation afin d'obtenir de l'assistance concernant la procédure exacte de configuration des paramètres réseau. Si vous rencontrez des difficultés, veuillez contacter le fabricant de votre ordinateur ou de votre système d'exploitation pour obtenir une assistance.

Méthode de l'invite de commande

Windows 2000/XP/Vista/7/8/8.1/10

1. Sur votre clavier, enfoncez simultanément les touches **Logo Windows + R** pour lancer la boîte de dialogue Exécuter.
2. Dans la boîte de dialogue, tapez **cmd** pour lancer l'invite de commande.
3. Dans l'invite de commande, tapez **ipconfig /all** pour afficher les paramètres de votre adresse IP.

MAC OS X

1. Rendez-vous dans votre dossier **Applications** et ouvrez **Utilities** (Utilitaires).
2. Double-cliquez sur **Terminal** pour lancer l'invite de commande.
3. Dans l'invite de commande, tapez **ipconfig getifaddr <en0 ou en1>** pour afficher les paramètres de l'adresse IP filaire ou WiFi.

Remarque: **en0** est en général l'Ethernet filaire et **en1** est en général l'interface Airport WiFi.

Méthode graphique

Windows XP/Vista/7/8/8.1/10

1. Sur votre clavier, enfoncez simultanément les touches **Logo Windows + R** pour lancer la boîte de dialogue Exécuter.
2. Dans la boîte de dialogue, tapez **ncpa.cpl** pour lancer la fenêtre Network Connections (Connexions réseau).
3. Double-cliquez sur l'icône Local Area Connection (Connexion locale) et cliquez sur le bouton **Details** pour voir les paramètres de l'adresse IP actuelle.

Remarque: L'adaptateur réseau de l'ordinateur doit être désactivé et connecté pour voir les paramètres de l'adresse IP actuelle.

MAC OS X

1. Dans le menu **Apple**, sélectionnez **System Preferences (Préférences système)**.
2. Dans **System Preferences (Préférences système)**, dans le menu **View (Affichage)**, sélectionnez **Network (Réseau)**.
3. Dans la fenêtre Network preference (Préférences réseau), cliquez sur un port réseau (p. ex. Ethernet, AirPort, modem). Si vous êtes connecté, vous verrez les paramètres de votre adresse IP sous « Status: » (Statut).

Consejos de instalación y resolución de problemas

Q1: ¿Cómo puedo configurar el adaptador de red de mi computadora con una dirección IP estática?

Nota: Tenga en cuenta que los siguientes procedimientos para la configuración del adaptador de red de su sistema operativo son pautas generales. No obstante, se recomienda encarecidamente que consulte al fabricante de su computadora o sistema operativo directamente para averiguar el procedimiento adecuado para la configuración de red. Si tiene dificultades, pida ayuda al fabricante de su computadora o sistema operativo.

Windows 2000/XP/Vista/7/8/8.1/10

1. Pulse las teclas del **logotipo de Windows + R** simultáneamente para abrir el cuadro de diálogo Run [ejecutar].
2. En el cuadro de diálogo, escriba **ncpa.cpl** para abrir la ventana de conexiones de red.
3. Haga clic derecho en el icono **Local Area Connection** [conexión de área local] o **Ethernet**, haga clic en **Properties** [propiedades], y haga doble clic en **Internet Protocol Version 4** [protocolo de Internet versión 4] (TCP/IPv4).
4. Después haga clic en **Use the following IP address** [utilizar la siguiente dirección IP] y asigne a su adaptador de red una IP estática. Vea el ejemplo de configuración de dirección IP estática a continuación.
 - Dirección IP: 192.168.10.25
 - Máscara de subred: 255.255.255.0
5. Haga clic en **OK** en la ventana TCP/IPv4 Properties [propiedades TCP/IPv4] y Local Area Connection Properties [propiedades de conexión de área local].

MAC OS X

1. Desde la lista desplegable de **Apple**, seleccione **System Preferences** [preferencias del sistema].
2. Luego pulse el **icono Network** [red].
3. Desde la lista desplegable **Location** [ubicación], seleccione **Automatic** [automático].
4. Seleccione y vea su conexión Ethernet.
 - En MAC OS 10.4, desde la lista desplegable **Show** [mostrar], seleccione **Built-in Ethernet** [Ethernet integrada] y seleccione la pestaña **TCP/IP**.
 - En MAC OS 10.5 y superior, en la columna izquierda, seleccione **Ethernet**.
5. Configure TCP/IP para utilizar una IP estática.
 - Desde la lista desplegable **Configure IPv4** [configurar IPv4] o **Configure** [configurar], seleccione **Manually** [manualmente] y asigne a su adaptador de red una dirección IP estática. Después haga clic en el botón **Apply** [aplicar] o **Apply Now** [aplicar ahora].

Vea el ejemplo de configuración de dirección IP estática a continuación.

- Dirección IP: 192.168.10.25
- Máscara de subred: 255.255.255.0

6. Quizá se le pida que reinicie su computadora para que se aplique la nueva configuración de dirección IP.

Q2: He configurado el adaptador de red de mi computadora con una dirección IP estática. ¿Cómo puedo reconfigurar el adaptador de red a las opciones por defecto y obtener una dirección IP automáticamente utilizando DHCP?

Nota: Tenga en cuenta que los siguientes procedimientos para la configuración del adaptador de red de su sistema operativo son pautas generales. No obstante, se recomienda encarecidamente que consulte al fabricante de su computadora o sistema operativo directamente para averiguar el procedimiento adecuado para la configuración de red. Si tiene dificultades, pida ayuda al fabricante de su computadora o sistema operativo.

Windows 2000/XP/Vista/7/8/8.1/10

1. Pulse las teclas del **logotipo de Windows + R** simultáneamente para abrir el cuadro de diálogo Run [ejecutar].
2. En el cuadro de diálogo, escriba **ncpa.cpl** para abrir la ventana de conexiones de red.
3. Haga clic derecho en el icono **Local Area Connection** [conexión de área local] o **Ethernet**, haga clic en **Properties** [propiedades], y haga doble clic en **Internet Protocol Version 4** [protocolo de Internet versión 4] (**TCP/IPv4**).
4. Haga clic en **Obtain an IP address automatically** [obtener una dirección IP automáticamente] y **Obtain DNS server address automatically** [obtener dirección de servidor DNS automáticamente].
5. Haga clic en **OK** en la ventana TCP/IPv4 Properties [propiedades TCP/IPv4] y Local Area Connection Properties [propiedades de conexión de área local].

MAC OS X

1. Desde la lista desplegable de **Apple**, seleccione **System Preferences** [preferencias del sistema].
2. Luego pulse el icono **Network** [red].
3. Desde la lista desplegable **Location** [ubicación], seleccione **Automatic** [automático].
4. Seleccione y vea su conexión Ethernet.
 - En MAC OS 10.4, desde la lista desplegable **Show** [mostrar], seleccione **Built-in Ethernet** [Ethernet integrada] y seleccione la pestaña **TCP/IP**.
 - En MAC OS 10.5 y superior, en la columna izquierda, seleccione **Ethernet**.

5. Configure TCP/IP para utilizar una IP estática.
 - Desde la lista desplegable **Configure IPv4 [Configurar IPv4]** o **Configure [Configurar]**, seleccione **Using DHCP [Utilizando DHCP]** y después haga clic en el botón **Apply [Aplicar]** o **Apply Now [Aplicar ahora]**.
6. Quizá se le pida que reinicie su computadora para que se aplique la nueva configuración de dirección IP.

Q3: He introducido <http://192.168.10.100> en la barra de direcciones de mi navegador de Internet, pero surge un mensaje de error que dice: “No se puede mostrar la página”. ¿Cómo puedo acceder a la página de administración del punto de acceso wireless?

1. Compruebe atentamente todas las conexiones físicas por cable y puertos.
2. Asegúrese de que los LED de PWR/LAN/2.4GHz/5GHz del panel frontal del punto de acceso wireless estén encendidos.
3. Asegúrese de que el adaptador de red de su computadora esté configurado con una dirección IP estática. (Consulte P1 para ver las instrucciones para asignar una dirección IP estática).
4. Asegúrese de que su computadora esté conectada al puerto LAN de red del punto de acceso y de que el LED de LAN esté encendido.
5. Dado que la dirección IP por defecto del punto de acceso es 192.168.10.100, compruebe que ningún otro dispositivo de red tenga asignada dicha dirección IP.

Nota: Tras comprobar todos los parámetros indicados anteriormente, intente acceder a la página de administración del punto de acceso wireless de nuevo.

Q4: ¿Cómo encuentro la dirección IP actual del adaptador de red de mi computadora?

Nota: Tenga en cuenta que los siguientes procedimientos para la configuración del adaptador de red de su sistema operativo son pautas generales. No obstante, se recomienda encarecidamente que consulte al fabricante de su computadora o sistema operativo directamente para averiguar el procedimiento adecuado para la configuración de red. Si tiene dificultades, pida ayuda al fabricante de su computadora o sistema operativo.

Método del intérprete de comandos

Windows 2000/XP/Vista/7/8/8.1/10

1. Pulse las teclas del **logotipo de Windows + R** simultáneamente para abrir el cuadro de diálogo Run [ejecutar].
2. En el cuadro de diálogo, escriba **cmd** para abrir el intérprete de comandos.
3. En el intérprete de comandos, escriba **ipconfig/all** para mostrar su configuración de dirección IP.

MAC OS X

1. Acceda a su carpeta **Applications [Aplicaciones]** y abra **Utilities [Herramientas]**.
2. Haga doble clic en **Terminal** para lanzar el intérprete de comandos.
3. En el intérprete de comandos, escriba **ipconfig getifaddr <en0 o en1>** para mostrar la configuración de dirección IP por cable o wireless.

Nota: **en0** suele ser Ethernet por cable y **en1** suele ser la interfaz Airport wireless.

Método gráfico

Windows XP/Vista/7/8/8.1/10

1. Pulse las teclas del **logotipo de Windows + R** simultáneamente para abrir el cuadro de diálogo Run [ejecutar].
2. En el cuadro de diálogo, escriba **ncpa.cpl** para abrir la ventana de conexiones de red.
3. Haga doble clic en el icono Local Area Connection [conexión de área local] para ver la configuración actual de dirección IP.

Nota: El adaptador de red de la computadora debe estar habilitado y conectado para ver la configuración actual de dirección IP.

MAC OS X

1. Desde el menú **Apple**, select **System Preferences**.
2. En **System Preferences [Preferencias del Sistema]**, desde el menú **View [Ver]**, seleccione **Network [Red]**.
3. En la ventana de preferencias de red, haga clic en un puerto de red (p. ej. Ethernet, AirPort, módem). Si está conectado, verá su configuración de dirección IP bajo "Status:" [Estado:].

Federal Communication Commission Interference Statement

This device complies with Part 15 of the FCC Rules. Operation is subject to the following two conditions: (1) This device may not cause harmful interference, and (2) this device must accept any interference received, including interference that may cause undesired operation.

This equipment has been tested and found to comply with the limits for a Class B digital device, pursuant to Part 15 of the FCC Rules. These limits are designed to provide reasonable protection against harmful interference in a residential installation. This equipment generates, uses and can radiate radio frequency energy and, if not installed and used in accordance with the instructions, may cause harmful interference to radio communications. However, there is no guarantee that interference will not occur in a particular installation. If this equipment does cause harmful interference to radio or television reception, which can be determined by turning the equipment off and on, the user is encouraged to try to correct the interference by one of the following measures:

- Reorient or relocate the receiving antenna.
- Increase the separation between the equipment and receiver.
- Connect the equipment into an outlet on a circuit different from that to which the receiver is connected.
- Consult the dealer or an experienced radio/TV technician for help.

FCC Caution: Any changes or modifications not expressly approved by the party responsible for compliance could void the user's authority to operate this equipment.

This transmitter must not be co-located or operating in conjunction with any other antenna or transmitter.

IMPORTANT NOTE:

Radiation Exposure Statement:

This equipment complies with FCC radiation exposure limits set forth for an uncontrolled environment. This equipment should be installed and operated with minimum distance 20cm between the radiator & your body.

Industry Canada Statement

This device complies with ISED's licence-exempt RSSs. Operation is subject to the following two conditions: (1) This device may not cause harmful interference, and (2) this device must accept any interference received, including interference that may cause undesired operation.

Le présent appareil est conforme aux CNR d'ISED applicables aux appareils radio exempts de licence. L'exploitation est autorisée aux deux conditions suivantes : (1) le dispositif ne doit pas produire de brouillage préjudiciable, et (2) ce dispositif doit accepter tout brouillage reçu, y compris un brouillage susceptible de provoquer un fonctionnement indésirable.

Caution:

- (i) the device for operation in the band 5150-5250 MHz is only for indoor use to reduce the potential for harmful interference to co-channel mobile satellite systems;
- (ii) for devices with detachable antenna(s), the maximum antenna gain permitted for devices in the band 5725-5850 MHz shall be such that the equipment still complies with the e.i.r.p. limits as appropriate;
- (iii) where applicable, antenna type(s), antenna model(s), and worst-case tilt angle(s) necessary to remain compliant with the e.i.r.p. elevation mask requirement set forth in section 6.2.2.3 shall be clearly indicated.

Avertissement:

- (i) les dispositifs fonctionnant dans la bande 5150-5250 MHz sont réservés uniquement pour une utilisation à l'intérieur afin de réduire les risques de brouillage préjudiciable aux systèmes de satellites mobiles utilisant les mêmes canaux;
- (ii) pour les dispositifs munis d'antennes amovibles, le gain maximal d'antenne permis (pour les dispositifs utilisant la bande de 5 725 à 5 850 MHz) doit être conforme à la limite de la p.i.r.e. spécifiée, selon le cas;
- (iii) lorsqu'il y a lieu, les types d'antennes (s'il y en a plusieurs), les numéros de modèle de l'antenne et les pires angles d'inclinaison nécessaires pour rester conforme à l'exigence de la p.i.r.e. applicable au masque d'élévation, énoncée à la section 6.2.2.3, doivent être clairement indiqués.

Radiation Exposure Statement:

This equipment complies with ISED radiation exposure limits set forth for an uncontrolled environment. This equipment should be installed and operated with greater than 20cm between the radiator & your body.

Déclaration d'exposition aux radiations:

Cet équipement est conforme aux limites d'exposition aux rayonnements ISED établies pour un environnement non contrôlé. Cet équipement doit être installé et utilisé à plus de 20cm entre le radiateur et votre corps.

Approved antenna list

Type	Gain (Max.)	Brand	Manufacturer
External Omni-Directional (2.4ghz)	5.17dBi	MASTER WAVE	MASTER WAVE
External Omni-Directional (5ghz)	5.17dBi	MASTER WAVE	MASTER WAVE

Professional installation instruction

1. Installation personal

This product is designed for specific application and needs to be installed by a qualified personal who has RF and related rule knowledge. The general user shall not attempt to install or change the setting.

2. Installation location

The product shall be installed at a location where the radiating antenna can be kept 20cm from nearby person in normal operation condition to meet regulatory RF exposure requirement.

3. External antenna

Use only the antennas which have been approved by the applicant. The non-approved antenna(s) may produce unwanted spurious or excessive RF transmitting power which may lead to the violation of FCC/IC limit and is prohibited.

4. Installation procedure

Please refer to user's manual for the detail.

5. Warning

Please carefully select the installation position and make sure that the final output power does not exceed the limit set force in relevant rules. The violation of the rule could lead to serious federal penalty.

Instructions d'installation professionnelle

1. Installation

Ce produit est destiné à un usage spécifique et doit être installé par un personnel qualifié maîtrisant les radiofréquences et les règles s'y rapportant. L'installation et les réglages ne doivent pas être modifiés par l'utilisateur final.

2. Emplacement d'installation

En usage normal, afin de respecter les exigences réglementaires concernant l'exposition aux radiofréquences, ce produit doit être installé de façon à respecter une distance de 20cm entre l'antenne émettrice et les personnes.

3. Antenn externe.

Utiliser uniquement les antennes approuvées par le fabricant. L'utilisation d'autres antennes peut conduire à un niveau de rayonnement essentiel ou non essentiel dépassant les niveaux limites définis par FCC/IC, ce qui est interdit.

4. Procédure d'installation

Consulter le manuel d'utilisation.

5. Avertissement

Choisir avec soin la position d'installation et s'assurer que la puissance de sortie ne dépasse pas les limites en vigueur. La violation de cette règle peut conduire à de sérieuses pénalités fédérales.



Certifications

This device complies with Part 15 of the FCC Rules. Operation is subject to the following two conditions:

- (1) This device may not cause harmful interference.
- (2) This device must accept any interference received, including interference that may cause undesired operation.



Waste electrical and electronic products must not be disposed of with household waste. Please recycle where facilities exist. Check with your Local Authority or Retailer for recycling advice.

Applies to PoE Products Only: This product is to be connected only to PoE networks without routing to the outside plant.

Note

The Manufacturer is not responsible for any radio or TV interference caused by unauthorized modifications to this equipment. Such modifications could void the user's authority to operate the equipment.

Advertencia

En todos nuestros equipos se mencionan claramente las características del adaptador de alimentación necesario para su funcionamiento. El uso de un adaptador distinto al mencionado puede producir daños físicos y/o daños al equipo conectado. El adaptador de alimentación debe operar con voltaje y frecuencia de la energía eléctrica domiciliar existente en el país o zona de instalación.

Technical Support

If you have any questions regarding the product installation, please contact our Technical Support.
Toll free US/Canada: **1-855-373-4741**
Regional phone numbers available
at www.trendnet.com/support

TRENDnet

20675 Manhattan Place
Torrance, CA 90501
USA

Product Warranty Registration

Please take a moment to register your product online. Go to TRENDnet's website at:
www.trendnet.com/register