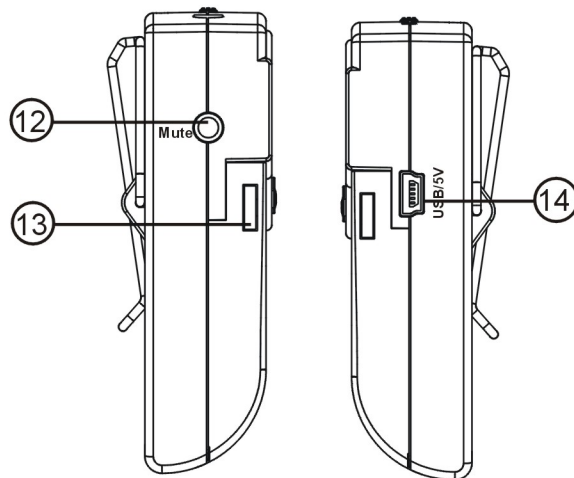
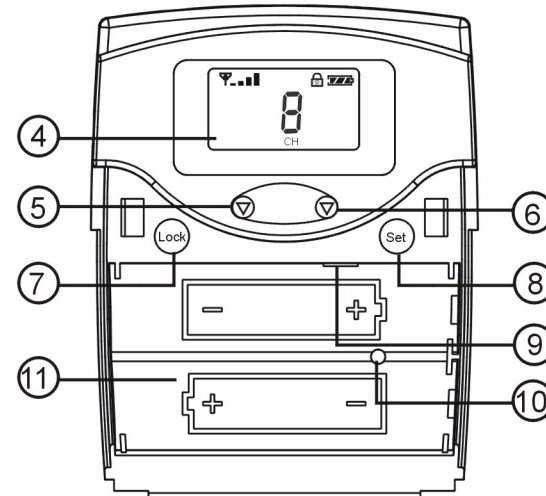
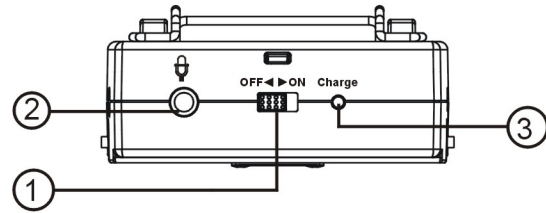


USER GUIDE

TLK-72BPTX



1. Power on/off
2. Microphone input jack
3. Charge LED
4. LCD display
5. Channel/ function "down" Button
6. Channel/ function "up" Button
7. Lock Button
8. Set Button
9. Ni-HM and alkaline Button
10. NTC safety
11. Battery cabin
12. Mute Button
13. Battery cover lock
14. USB jack

Operations:

Open the battery cover, and install the batteries according to the directions, close the battery cover. Turn on the unit, and set it up watching the LCD display and following these procedures.

Channel Setting:

Open the battery cover, press the UNLOCK button for several seconds till the "Lock" icon disappears, then the user can use (5, 6) to adjust the channels.

Mute ON/OFF Setting:

Turn on the unit, and press (12) for a second, the unit goes into MUTE mode, and press again to restore sound.

Battery Charging & Low Battery Status:

This unit charging port is a USB smart charging port, the charging current is 400-500mAh. The user needs to use our designated charging case or powersupply.

Please make sure the batteries are NI-MH type when you switch to Charging mode by turning the switch to NI-MH.

! NOTE:

DO NOT charge this unit on a computer.

FCC ID: XU4TLK-72BPTX

This device complies with Part 15 of the FCC Rules. Operation is subject to the following two conditions: (1) this device may not cause harmful interference, and (2) this device must accept any interference received, including interference that may cause undesired operation.

changes or modifications not expressly approved by the party responsible for compliance could void the user's authority to operate the equipment.

NOTE: This equipment has been tested and found to comply with the limits for a Class B digital device, pursuant to Part 15 of the FCC Rules. These limits are designed to provide reasonable protection against harmful interference in a residential installation. This equipment generates, uses and can radiate radio frequency energy and, if not installed and used in accordance with the instructions, may cause harmful interference to radio communications. However, there is no guarantee that interference will not occur in a particular installation. If this equipment does cause harmful interference to radio or television reception, which can be determined by turning the equipment off and on, the user is encouraged to try to correct the interference by one or more of the following measures:

- Reorient or relocate the receiving antenna.
- Increase the separation between the equipment and receiver.
- Connect the equipment into an outlet on a circuit different from that to which the receiver is connected.
- Consult the dealer or an experienced radio/TV technician for help.