

Annex no. 12

Antenna Characteristics

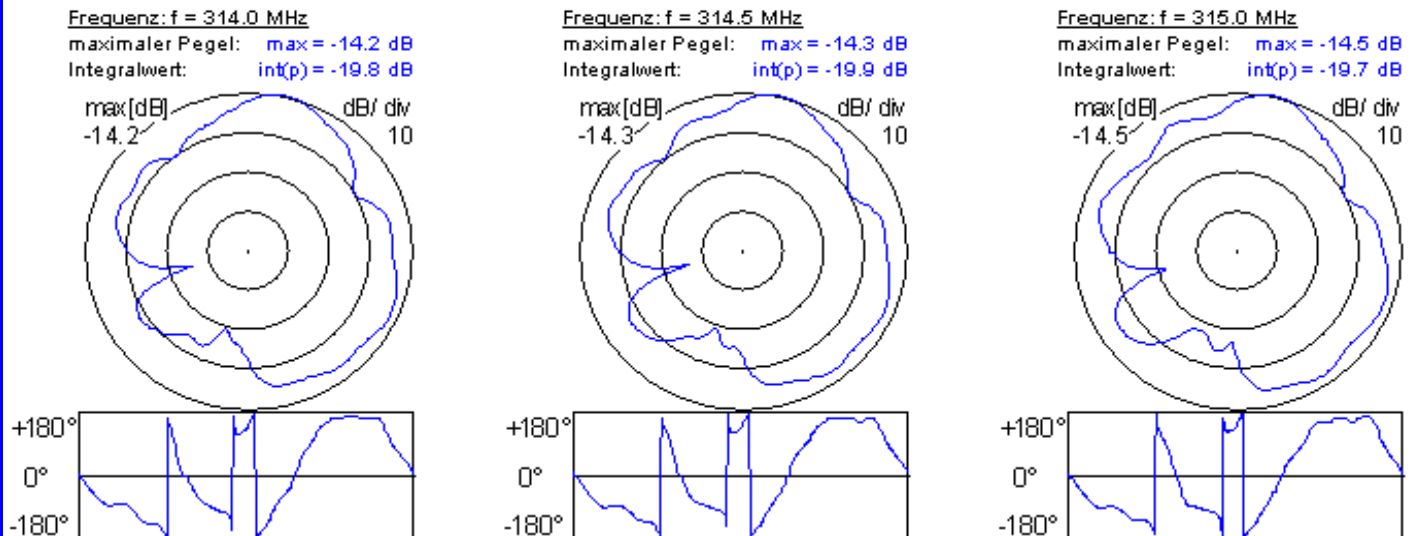
Antennen-Azimutdiagramme (Pegel + Phase)

H C C - Hilschmann Car Communication GmbH

Projekt: 920287A antenna diagram (dBi)

Elevation: 2.60° --> Theta = 87.40°

Polarisation: horizontal (H)



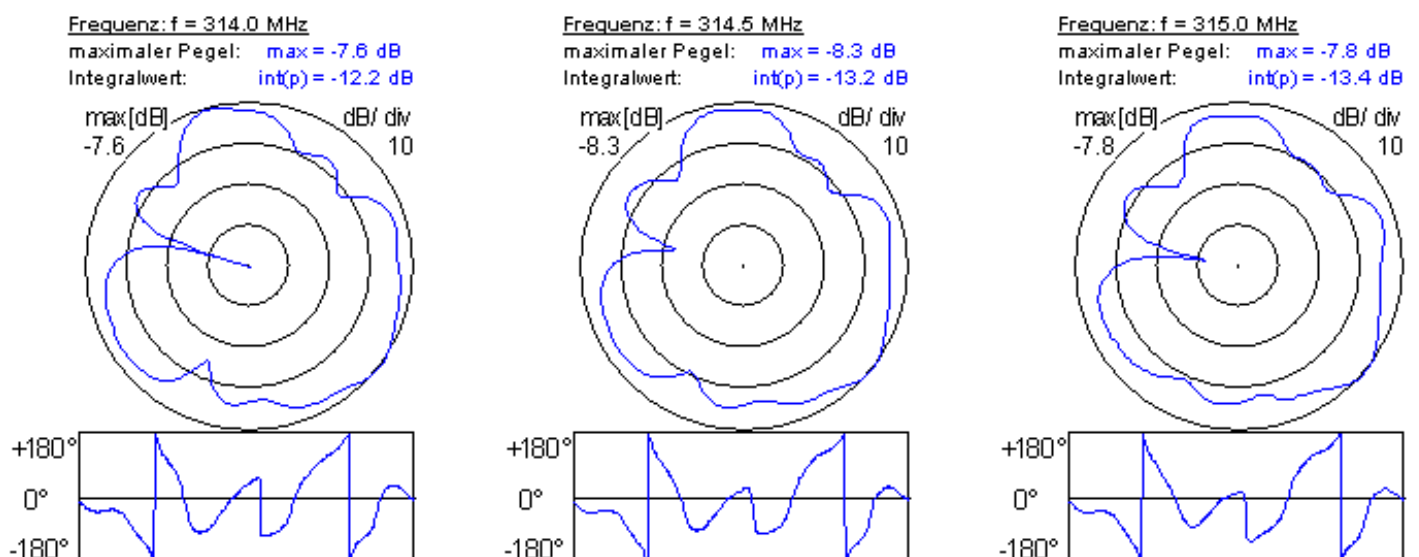
Antennen-Azimutdiagramme (Pegel + Phase)

H C C - Hilschmann Car Communication GmbH

Projekt: 920287A antenna diagram (dBi)

Elevation: 2.60° --> Theta = 87.40°

Polarisation: vertikal (VP)



State: 2010-03-01

Vers. no.: 1.10