

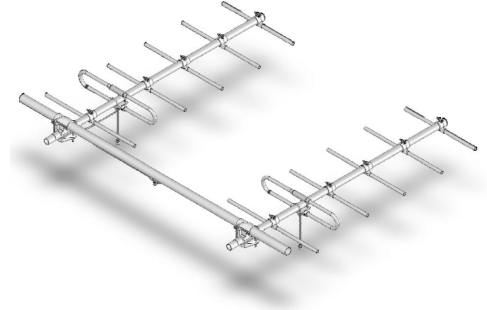
SY2062-SF11SNM(U) Dual Yagi, 12 dBd, universal mount, 216-225 MHz

- Two- Six element Yagi
- Outstanding durability and performance
- DC ground potential for lightning protection
- Center or end mounting

The SY2062 series of antennas consists of two six-element Yagis of outstanding durability and performance. All elements including the folded dipole are maintained at DC Ground potential for lightning protection. All elements on this antenna are attached to the boom with solid cast aluminum clamps.

This highly versatile antenna is available as a standard mount Yagi (C version), or, as an extended boom (E version) mounted unit.

As with other Yagi's, this VHF antenna is available in multiple-unit arrays for added gain. Horizontally or vertically parallel kits of 'H' frames can readily be supplied to mount two or four Yagi's with a common feed.



Region	United States	Europe, Middle East and Africa	Caribbean and Latin America	Canada and rest of the world
Telephone	USA: 1 800 263 3275	International: +44 (0) 1487 84 28 19	International: +1 905 726 7676	Canada: 1 800 263 3275 International: +1 905 727 0165
E-mail	salesusa@sinctech.com	salesuk@sinctech.com	salesla@sinctech.com	salescan@sinctech.com

Electrical Specifications

Frequency Range	MHz	216 to 225
Bandwidth	MHz	9
Gain (nominal)	dBd (dBi)	12 (14.1)
Input VSWR (max)		1.5:1
Polarization		vertical or horizontal
Impedance	Ω	50
Pattern		Directional
Horizontal beamwidth (typ)	degrees	56
Vertical beamwidth (typ)	degrees	23
Average Power Input (max)	W	300
Lightning protection		DC ground
Front-to-back ratio (typ)	dB	17

Mechanical Specifications

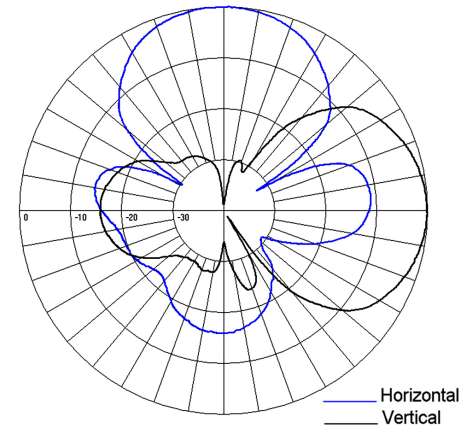
Connector		N-Male
Depth	in (mm)	5.25 (133)
Length/ Height	in (mm)	63 (1600)
Width	in (mm)	5.5 (140)
Base pipe diameter	in (mm)	1.5 (38)
Radiating element material		aluminum
Reflector material		aluminum
Weight	lbs (kg)	13 (5.9)
Weight iced	lbs (kg)	51 (23.15) *1
Mounting Hardware (Standard)		Clamp001
Actual Shipping weight	lbs (kg)	35 (15.89)
Shipping dimensions	in (mm)	72x6x2.5 (1829x152x64) *2

Environmental Specifications

Temperature range	°F (°C)	-40 to +140 (-40 to +60)
Wind Loading Area (Flat Plate Equivalent)	ft ² (m ²)	2.08 (0.19)
Wind Loading Area (ice)	ft ² (m ²)	3.88 (0.36)
Rated wind velocity (no ice)	mph (km/h)	175 (282)
Rated wind velocity (1/2" radial ice)	mph (km/h)	115 (185)
Lateral thrust (100 mph No Ice)	lbs (N)	77 (342.5) *3
Bending moment (100 mph No Ice)	ft-lbs (Nm)	162 (218.7) *4
Tip deflection (100 mph No Ice)	degrees	2.3 *5

Notes

- *1 : 0.5" radial ice
- *2 : Shipped in two boxes
- *3 : Value based on 100 mph with 0 inches ice.
- *4 : Value based on 100 mph with 0 inches ice.
- *5 : Value based on 100 mph with 0" ice.



Region	United States	Europe, Middle East and Africa	Caribbean and Latin America	Canada and rest of the world
Telephone	USA: 1 800 263 3275	International: +44 (0) 1487 84 28 19	International: +1 905 726 7676	Canada: 1 800 263 3275 International: +1 905 727 0165
E-mail	salesusa@sinctech.com	salesuk@sinctech.com	salesla@sinctech.com	salescan@sinctech.com