

# FCC

## RF Test Report

Applicant : DIATEC CORPORATION  
Address : 4F Kairaku BLDG (SOTO-KANDA)6-5-4,Soto-kanda, Chiyoda-ku.  
TOKYO 101-0021, Japan  
Product Type : Bluetooth Keyboard  
Trade Name : FILCO  
Model Number : FILCKTLBT2-33  
Test Specification : FCC 47 CFR PART 15 SUBPART C  
ANSI C63.10:2013  
Receive Date : Nov. 30, 2015  
Test Period : Nov. 30 ~ Dec. 11, 2015  
Issue Date : May 10, 2016

### Issue by

A Test Lab Techno Corp.  
No. 140-1, Changan Street, Bade District,  
Taoyuan City 33465, Taiwan (R.O.C)  
Tel : +886-3-2710188 / Fax : +886-3-2710190



Taiwan Accreditation Foundation accreditation number: 1330

**Note:** This report shall not be reproduced except in full, without the written approval of A Test Lab Techno Corp. This document may be altered or revised by A Test Lab Techno Corp. personnel only, and shall be noted in the revision section of the document. The client should not use it to claim product endorsement by TAF, or any government agencies. The test results in the report only apply to the tested sample.



### **Revision History**

Rev.	Issue Date	Revisions	Revised By
00	May 10, 2016	Initial Issue	Nico Peng

## Verification of Compliance

Issued Date: May 10, 2016

Product Type : Bluetooth Keyboard  
Applicant : DIATEC CORPORATION  
Address : 4F Kairaku BLDG (SOTO-KANDA)6-5-4,Soto-kanda,  
Chiyoda-ku. TOKYO 101-0021, Japan  
Trade Name : FILCO  
Model Number : FILCKTLBT2-33  
FCC ID : XS8-CONV2TKL  
EUT Rated Voltage : DC 5.0V, 30mA ; DC 3.0V, 25mA  
Test Voltage : 120 Vac / 60 Hz  
Applicable Standard : FCC 47 CFR PART 15 SUBPART C  
ANSI C63.10:2013  
Test Result : Complied

Performing Lab. : A Test Lab Techno Corp.  
No. 140-1, Changan Street, Bade District,  
Taoyuan City 33465, Taiwan (R.O.C)  
Tel : +886-3-2710188 / Fax : +886-3-2710190  
Taiwan Accreditation Foundation accreditation number: 1330  
<http://www.atl-lab.com.tw/e-index.htm>



A Test Lab Techno Corp. tested the above equipment in accordance with the requirements set forth in the above standards. All indications of Pass/Fail in this report are opinions expressed by A Test Lab Techno Corp. based on interpretations and/or observations of test results. Measurement Uncertainties were not taken into account and are published for informational purposes only. The test results show that the equipment tested is capable of demonstrating compliance with the requirements as documented in this report.

Approved By : Fly Lu Reviewed By : Eric Ou Yang  
(Manager) (Fly Lu) (Testing Engineer) (Eric Ou Yang)

## TABLE OF CONTENTS

<b>1</b>	<b>General Information.....</b>	<b>6</b>
	1.1. Summary of Test Result.....	6
	1.2. Measurement Uncertainty.....	6
<b>2</b>	<b>EUT Description.....</b>	<b>7</b>
<b>3</b>	<b>Test Methodology .....</b>	<b>8</b>
	3.1. Mode of Operation .....	8
	3.2. EUT Exercise Software.....	8
	3.3. Configuration of Test System Details .....	9
	3.4. Test Site Environment.....	9
<b>4</b>	<b>Maximum Conducted Output Power Measurement.....</b>	<b>10</b>
	4.1. Limit.....	10
	4.2. Test Setup.....	10
	4.3. Test Instruments .....	10
	4.4. Test Procedure.....	10
	4.5. Test Result.....	11
<b>5</b>	<b>Conducted Emission Measurement.....</b>	<b>12</b>
	5.1. Limit.....	12
	5.2. Test Instruments .....	12
	5.3. Test Setup.....	12
	5.4. Test Procedure.....	13
	5.5. Test Result.....	14
<b>6</b>	<b>Radiated Interference Measurement.....</b>	<b>16</b>
	6.1. Limit.....	16
	6.2. Test Instruments .....	16
	6.3. Setup .....	17
	6.4. Test Procedure.....	19
	6.5. Test Result.....	20
<b>7</b>	<b>20dB RF Bandwidth Measurement.....</b>	<b>25</b>
	7.1. Limit.....	25
	7.2. Test Setup.....	25
	7.3. Test Instruments .....	25
	7.4. Test Procedure.....	26
	7.5. Test Result.....	27
	7.6. Test Graphs .....	28



<b>8</b>	<b>Carrier Frequency Separation Measurement</b>	<b>29</b>
8.1.	Limit	29
8.2.	Test Setup	29
8.3.	Test Instruments	29
8.4.	Test Procedure	30
8.5.	Test Result	31
8.6.	Test Graphs	32
<b>9</b>	<b>Number of Hopping Measurement</b>	<b>33</b>
9.1.	Limit	33
9.2.	Test Setup	33
9.3.	Test Instruments	33
9.4.	Test Procedure	33
9.5.	Test Result	34
9.6.	Test Graphs	35
<b>10</b>	<b>Time of Occupancy (Dwell Time) Measurement</b>	<b>36</b>
10.1.	Limit	36
10.2.	Test Setup	36
10.3.	Test Instruments	36
10.4.	Test Procedure	36
10.5.	Test Result	37
10.6.	Test Graphs	38
<b>11</b>	<b>Out of Band Conducted Emissions Measurement</b>	<b>39</b>
11.1.	Limit	39
11.2.	Test Setup	39
11.3.	Test Instruments	39
11.4.	Test Procedure	39
11.5.	Test Graphs	40
<b>12</b>	<b>Antenna Measurement</b>	<b>42</b>
12.1.	Limit	42
12.2.	Antenna Connector Construction	42



## 1 General Information

### 1.1. Summary of Test Result

FCC Standard	Item	Result	Remark
15.207	AC Power Conducted Emission	PASS	----
15.203	Antenna Requirement	PASS	----
15.247(b)(1)	Max. Output Power	PASS	----
15.247(d)	Transmitter Radiated Emissions	PASS	----
15.247(a)(1)	20dB RF Bandwidth	PASS	----
15.247(a)(1)	Carrier Frequency Separation	PASS	----
15.247(a)(1)(iii)	Number of Hopping	PASS	----
15.247(a)(1)(iii)	Time of Occupancy (Dwell Time)	PASS	----
15.247(d)	Out of Band Conducted Spurious Emission	PASS	----

The test results of this report relate only to the tested sample(s) identified in this report. Manufacturer or whom it may concern should recognize the pass or fail of the test result.

### 1.2. Measurement Uncertainty

Test Item	Frequency Range	Uncertainty (dB)
Conducted Emission	9kHz ~ 150KHz	2.7
	150kHz ~ 30MHz	2.8
Radiated Emission	30MHz ~ 1000MHz	6.300
	1000MHz ~ 18000MHz	5.474
	18000MHz ~ 26500MHz	5.630
	26500MHz ~ 40000MHz	5.054



## 2 EUT Description

Product	Bluetooth Keyboard
Trade Name	FILCO
Model Number	FILCKTLBT2-33
Applicant	DIATEC CORPORATION 4F Kairaku BLDG (SOTO-KANDA)6-5-4,Soto-kanda, Chiyoda-ku. TOKYO 101-0021, Japan
Manufacturer	Datacomp Electronics Co., Ltd. 3F,No.148-1,NEI-HU RD.,SEC.2,TAIPEI TAIWAN, R.O.C.
FCC ID	XS8-CONV2TKL
Frequency Range	2402 ~ 2480 MHz
Modulation Type	GFSK for 1Mbps
Antenna Type	Printed Antenna
Antenna Gain	0.22 dBi
RF Output Power (Conducted)	GFSK for 1Mbps    -0.67 dBm /    0.001 W



### 3 Test Methodology

#### 3.1. Mode of Operation

Decision of Test ATL has verified the construction and function in typical operation. All the test modes were carried out with the EUT in normal operation, which was shown in this test report and defined as:

Pre-Test Mode
Mode 1: Normal Operation Mode
Mode 2: GFSK Link Mode

By preliminary testing and verifying three axis (X, Y and Z) position of EUT transmitted status, it was found that "X axis" position was the worst, then the final test was executed the worst condition and test data were recorded in this report.

Final-Test Mode
Mode 1: Normal Operation Mode
Mode 2: GFSK Link Mode

##### Description of Test Modes

Preliminary tests were performed in different modulation to find the worst case. The modulation has shown the worst-case in section 4.5. Investigation has been done on all the possible configurations for searching the worst cases.

##### Tested System Details

The types for all equipments, plus descriptions of all cables used in the tested system (including inserted cards) are:

	Product	Manufacturer	Model Number	Serial Number	Power Cord
1.	Bluetooth Tester	R & S	CBT	100350	NA

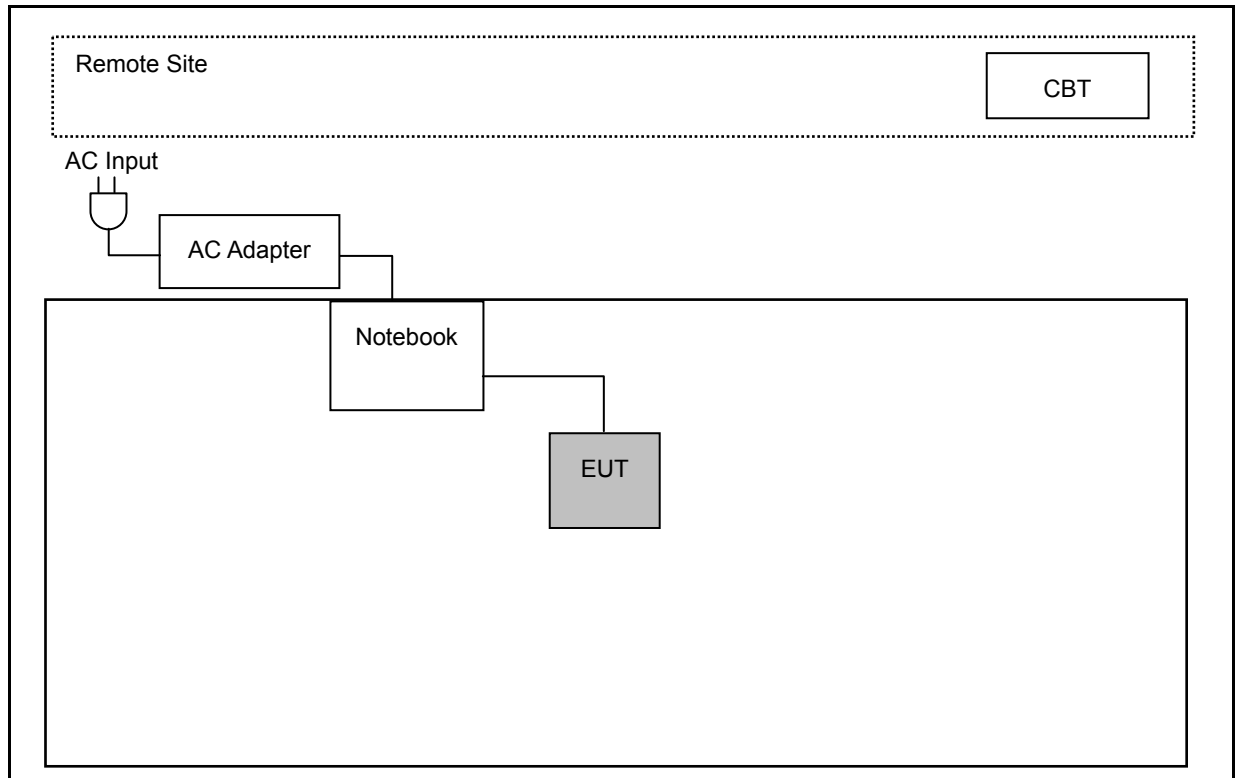
#### 3.2. EUT Exercise Software

1	Setup the EUT and Bluetooth Tester (CBT) as shown on 3.3.
2	Turn on the power of all equipment.
3	Open Bluetooth function link to CBT.
4	EUT run test program.



### 3.3. Configuration of Test System Details

Conducted Emissions



### 3.4. Test Site Environment

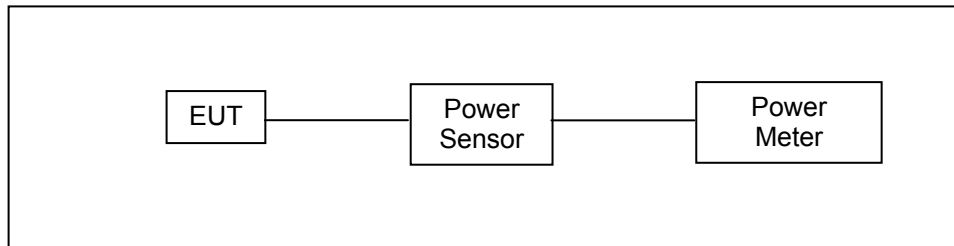
Items	Required (IEC 60068-1)	Actual
Temperature (°C)	15-35	26
Humidity (%RH)	25-75	60
Barometric pressure (mbar)	860-1060	950

## 4 Maximum Conducted Output Power Measurement

### 4.1. Limit

For frequency hopping systems operating in the 2400–2483.5 MHz band employing at least 75 non-overlapping hopping channels < 0.125 watt.

### 4.2. Test Setup



### 4.3. Test Instruments

Equipment	Manufacturer	Model Number	Serial Number	Cal. Date	Remark
Single Channel PK Power Sensor	Agilent	N1911A	MY45101619	12/15/2014	(1)
Wideband Power Meter	Agilent	N1921A	MY45241957	12/15/2014	(1)
Microwave Cable	EMCI	EMC104-SM-SM-1500	140303	02/24/2015	(1)
Test Site	ATL	TE05	TE05	N.C.R.	-----

Remark: (1) Calibration period 1 year.

NOTE: N.C.R. = No Calibration Request.

### 4.4. Test Procedure

Testing must be done according to this procedure, FCC Public Notice DA 00-705 - Filing and Measurement Guidelines for Frequency Hopping Spread Spectrum Systems. This is the only method recognized by the FCC. The tests below are run with the EUT's transmitter set at high power in TX mode. The EUT is needed to force selection of output power level and channel number. While testing, EUT was set to transmit continuously. Remove the Subjective device's antenna and connect the RF output port to power sensor. The maximum peak output power shall not exceed 1 watt.

Use a direct connection between the antenna port of transmitter and the power sensor, for prevent the power sensor input attenuation 40-50 dB. Set the RBW Bandwidth of the emission or use a channel power meter mode. For antennas with gains of 6 dBi or less, maximum allowed transmitter output is 1 watt (+30 dBm). For antennas with gains greater than 6 dBi, transmitter output level must be decreased by an amount equal to (GAIN - 6)/3 dBm. The antenna port of the EUT was connected to the input of a power sensor. Power was read directly and cable loss correction was added to the reading to obtain power at the EUT antenna terminals.



#### 4.5. Test Result

Model Number	FILCKTLBT2-33						
Test Item	Maximum Conducted Output Power						
Test Mode	Mode 2						
Date of Test	11/30/2015			Test Site		TE05	
Test Mode	Frequency (MHz)	Packet Type	Average Power		Peak Power		Limit (W)
			(dBm)	(W)	(dBm)	(W)	
Mode 2	2402	DH1	-5.10	0.00031	-0.78	0.00084	< 0.125
		DH3	-2.18	0.00061	-0.77	0.00084	< 0.125
		DH5	-1.67	0.00068	-0.67	0.00086	< 0.125
	2441	DH1	-5.36	0.00029	-1.01	0.00079	< 0.125
		DH3	-2.42	0.00057	-1.00	0.00079	< 0.125
		DH5	-1.93	0.00064	-0.99	0.00080	< 0.125
	2480	DH1	-5.61	0.00027	-1.26	0.00075	< 0.125
		DH3	-2.68	0.00054	-1.25	0.00075	< 0.125
		DH5	-2.18	0.00061	-1.24	0.00075	< 0.125

Note: The relevant measured result has the offset with cable loss already.

## 5 Conducted Emission Measurement

### 5.1. Limit

Frequency (MHz)	Quasi-peak	Average
0.15 - 0.5	66 to 56	56 to 46
0.50 - 5.0	56	46
5.0 - 30.0	60	50

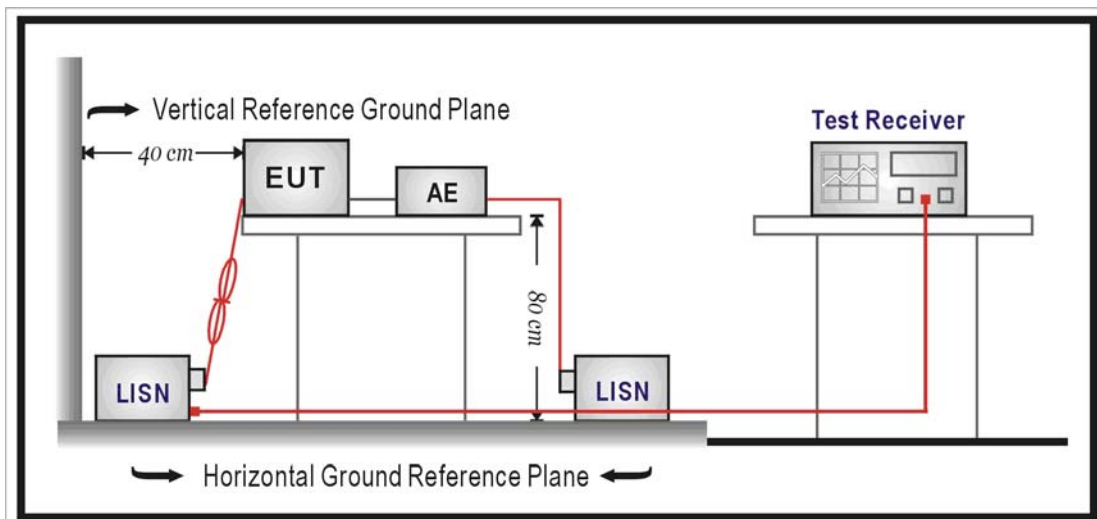
### 5.2. Test Instruments

Describe	Manufacturer	Model Number	Serial Number	Cal. Date	Remark
Test Receiver	R&S	ESCI	100367	06/25/2015	(1)
LISN	R&S	ENV216	101040	03/10/2015	(1)
LISN	R&S	ENV216	101041	03/06/2015	(1)
RF Cable	Woken	00100D1380194M	TE-02-02	06/26/2015	(1)
Test Site	ATL	TE02	TE02	N.C.R.	-----

Remark: (1) Calibration period 1 year.

NOTE: N.C.R. = No Calibration Request.

### 5.3. Test Setup



## 5.4. Test Procedure

The EUT and simulators are connected to the main power through a line impedance stabilization network (L.I.S.N.). This provides a 50 ohm /50uH coupling impedance for the measuring equipment. The peripheral devices are also connected to the main power through a LISN that provides a 50ohm/50uH coupling impedance with 50ohm termination.

For A.C. mains conducted interference, measured both sides of A.C. lines and carried out using quasi-peak and average detector receivers of maximum conducted interference.

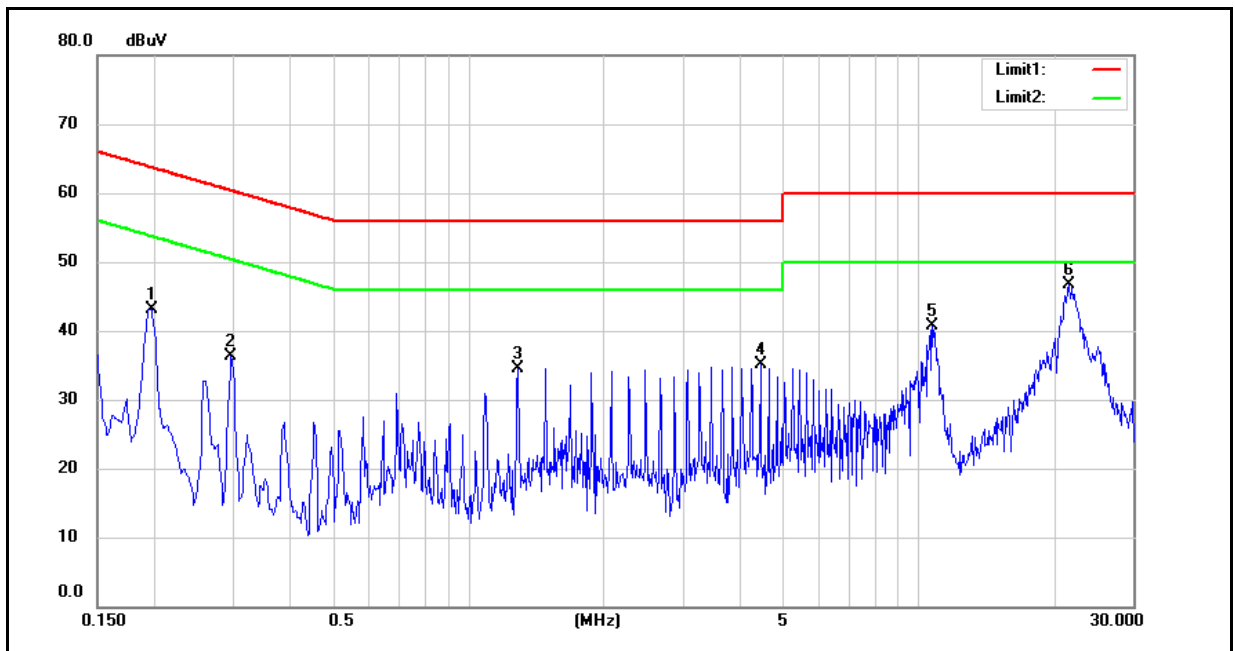
Conducted emissions were investigated over the frequency range from 0.15 MHz to 30 MHz using a receiver bandwidth of 9 kHz. The equipment under test (EUT) shall be meet the limits in section 5.1, as applicable, including the average limit and the quasi-peak limit when using respectively, an average detector and quasi-peak detector measured in accordance with the methods described of related standard. The voltage limits shall be met. If the average limit is met when using a quasi-peak detector receiver, the EUT shall be deemed to meet both limits and measurement with the average detector receiver is unnecessary.

If the reading of the measuring receiver shows fluctuations close to the limit, the reading shall be observed for at least 15 s at each measurement frequency; the higher reading shall be recorded with the exception of any brief isolated high reading which shall be ignored.



### 5.5. Test Result

Standard:	FCC Part 15C	Line:	L1
Test item:	Conducted Emission	Power:	AC 120V/60Hz
Model Number:	FILCKTLBT2-33	Temp.(°C)/Hum.(%RH):	26(°C)/60%RH
Mode:	1	Date:	11/30/2015
		Test By:	Eric Ou Yang
Description:			



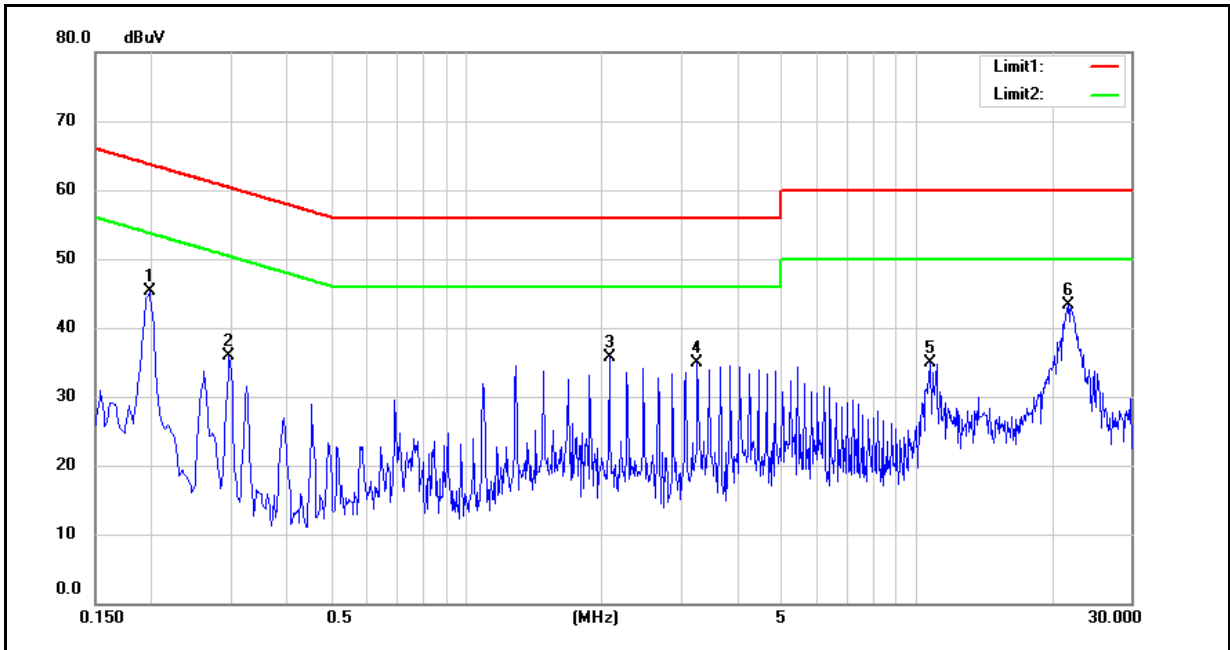
No.	Frequency (MHz)	QP reading (dBuV)	AVG reading (dBuV)	Correction factor (dB)	QP result (dBuV)	AVG result (dBuV)	QP limit (dBuV)	AVG limit (dBuV)	QP margin (dB)	AVG margin (dB)	Remark
1	0.1980	33.27	29.71	9.68	42.95	39.39	63.69	53.69	-20.74	-14.30	Pass
2	0.2980	25.64	25.56	9.69	35.33	35.25	60.30	50.30	-24.97	-15.05	Pass
3	1.2900	23.08	22.52	9.73	32.81	32.25	56.00	46.00	-23.19	-13.75	Pass
4	4.4620	24.30	22.76	9.84	34.14	32.60	56.00	46.00	-21.86	-13.40	Pass
5	10.7820	29.56	21.27	9.99	39.55	31.26	60.00	50.00	-20.45	-18.74	Pass
6	21.6940	34.66	22.77	10.05	44.71	32.82	60.00	50.00	-15.29	-17.18	Pass

Note: 1. Result (dBuV) = Correction factor (dB) + Reading(dBuV).  
 2. Correction factor (dB) = Cable loss (dB) + L.I.S.N. factor (dB).



Standard:	FCC Part 15C	Line:	N
Test item:	Conducted Emission	Power:	AC 120V/60Hz
Model Number:	FILCKTLBT2-33	Temp.(°C)/Hum.(%RH):	26(°C)/60%RH
Mode:	1	Date:	11/30/2015
		Test By:	Eric Ou Yang

Description:



No.	Frequency (MHz)	QP reading (dBuV)	AVG reading (dBuV)	Correction factor (dB)	QP result (dBuV)	AVG result (dBuV)	QP limit (dBuV)	AVG limit (dBuV)	QP margin (dB)	AVG margin (dB)	Remark
1	0.1980	34.27	31.47	9.65	43.92	41.12	63.69	53.69	-19.77	-12.57	Pass
2	0.2980	25.14	24.89	9.66	34.80	34.55	60.30	50.30	-25.50	-15.75	Pass
3	2.0820	24.25	20.58	9.74	33.99	30.32	56.00	46.00	-22.01	-15.68	Pass
4	3.2740	23.55	20.89	9.79	33.34	30.68	56.00	46.00	-22.66	-15.32	Pass
5	10.7780	23.20	15.96	10.00	33.20	25.96	60.00	50.00	-26.80	-24.04	Pass
6	21.7580	31.28	19.50	10.17	41.45	29.67	60.00	50.00	-18.55	-20.33	Pass

Note: 1. Result (dBuV) = Correction factor (dB) + Reading(dBuV).  
 2. Correction factor (dB) = Cable loss (dB) + L.I.S.N. factor (dB).



## 6 Radiated Interference Measurement

### 6.1. Limit

According to §15.209(a), except as provided elsewhere in this subpart, the emissions from an intentional radiator shall not exceed the field strength levels specified in the following table:

Frequency (MHz)	Field Strength ( $\mu\text{V}/\text{m}$ at meter)	Measurement Distance (meters)
0.009 – 0.490	2400 / F (kHz)	300
0.490 – 1.705	24000 / F (kHz)	30
1.705 – 30.0	30	30
30 - 88	100**	3
88-216	150**	3
216-960	200**	3
Above 960	500	3

\*\* Except as provided in paragraph (g), fundamental emissions from intentional radiators operating under this Section shall not be located in the frequency bands 54-72 MHz, 76-88 MHz, 174-216 MHz or 470-806 MHz. However, operation within these frequency bands is permitted under other sections of this Part, e.g., Sections 15.231 and 15.241.

### 6.2. Test Instruments

3 Meter Chamber					
Equipment	Manufacturer	Model Number	Serial Number	Cal. Date	Remark
RF Pre-selector	Agilent	N9039A	MY46520256	01/06/2015	(1)
Spectrum Analyzer	Agilent	E4446A	MY46180578	01/06/2015	(1)
Pre Amplifier	Agilent	8449B	3008A02237	02/24/2015	(1)
Pre Amplifier	Agilent	8447D	2944A10961	02/24/2015	(1)
Broadband Antenna (30MHz~1GHz)	SCHWARZBECK MESS-ELEKTRONIK	VULB9163	9163-270	08/11/2015	(1)
Horn Antenna (1~18GHz)	SCHWARZBECK MESS-ELEKTRONIK	BBHA9120D	9120D-550	06/12/2015	(1)
Horn Antenna (18~40GHz)	SCHWARZBECK MESS-ELEKTRONIK	BBHA9170	9170-320	07/06/2015	(1)
Loop Antenna	COM-POWER CORPORATION	AL-130	121014	02/02/2015	(1)
Microwave Cable	EMCI	EMC-104-SM-S M-14000	140202	02/24/2015	(1)
Microwave Cable	EMCI	EMC104-SM-S M-600	140301	02/24/2015	(1)
Test Site	ATL	TE01	888001	08/27/2015	(1)

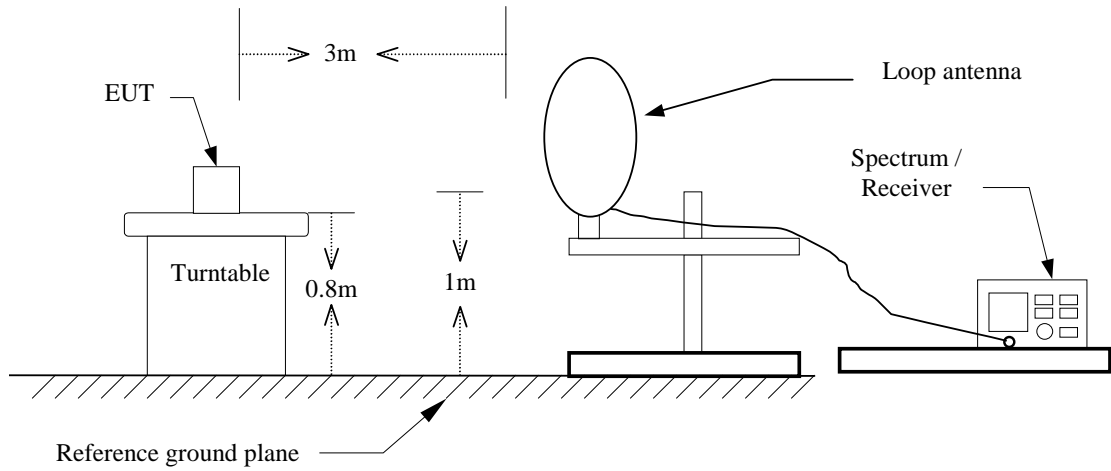
Remark: (1) Calibration period 1 year.

NOTE: N.C.R. = No Calibration Request.

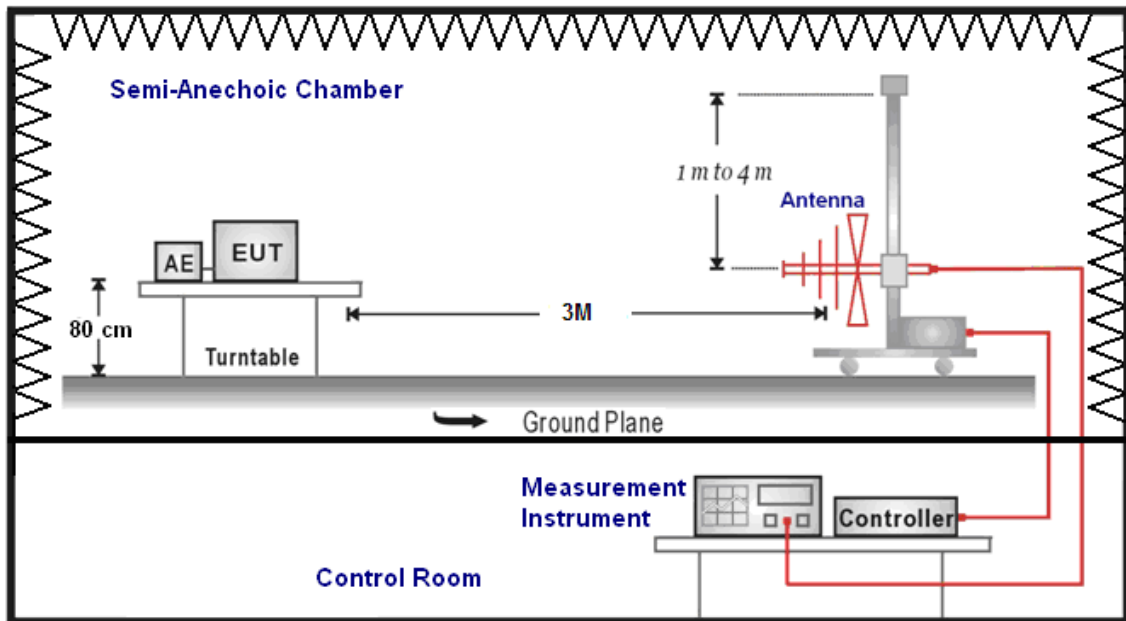


### 6.3. Setup

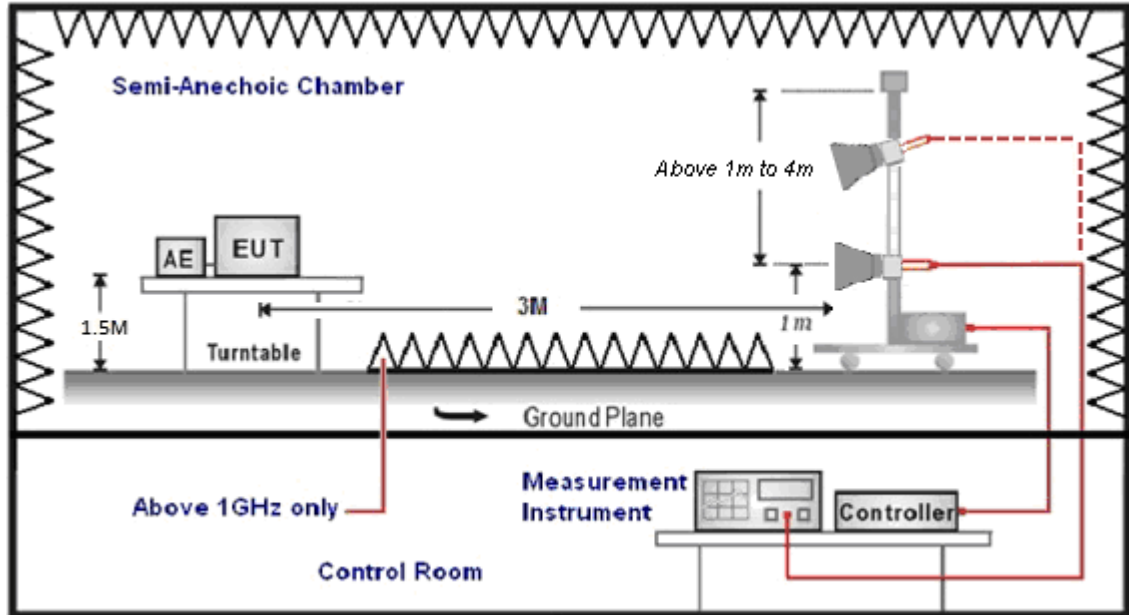
9kHz ~ 30MHz



Below 1GHz



Above 1GHz



## 6.4. Test Procedure

Final radiation measurements were made on a three-meter, Semi Anechoic Chamber. The EUT system was placed on a nonconductive turntable which is 0.8 or 1.5 meters height (below 1GHz use 0.8m turntable / above 1GHz use 1.5m turntable), top surface 1.0 x 1.5 meter. The spectrum was examined from 250 MHz to 2.5 GHz in order to cover the whole spectrum below 10th harmonic which could generate from the EUT. During the test, EUT was set to transmit continuously & Measurements spectrum range from 9 kHz to 26.5 GHz is investigated.

For measurements below 1 GHz the resolution bandwidth is set to 100 kHz for peak detection measurements or 120 kHz for quasi-peak detection measurements. Peak detection is used unless otherwise noted as quasi-peak.

For measurements above 1 GHz the resolution bandwidth is set to 1 MHz, and then the video bandwidth is set to 1 MHz for peak measurements and 10 Hz for average measurements.

A nonconductive material surrounded the EUT to supporting the EUT for standing on three orthogonal planes. At each condition, the EUT was rotated 360 degrees, and the antenna was raised and lowered from one to four meters to find the maximum emission levels. Measurements were taken using both horizontal and vertical antenna polarization.

SCHWARZBECK MESS-ELEKTRONIK Biconilog Antenna (mode VULB9163) at 3 Meter and the SCHWARZBECK Double Ridged Guide Antenna (model BBHA9120D&9170) was used in frequencies 1 – 26.5 GHz at a distance of 1 meter. All test results were extrapolated to equivalent signal at 3 meters utilizing an inverse linear distance extrapolation Factor (20dB/decade).

For testing above 1GHz, the emission level of the EUT in peak mode was 20dB lower than average limit (that means the emission level in peak mode also complies with the limit in average mode), then testing will be stopped and peak values of EUT will be reported, otherwise, the emissions will be measured in average mode again and reported.

Appropriate preamplifiers were used for improving sensitivity and precautions were taken to avoid overloading or desensitizing the spectrum analyzer. No post – detector video filters were used in the test.

The spectrum analyzer's 6 dB bandwidth was set to 1 MHz, and the analyzer was operated in the peak detection mode, for frequencies both below and up 1 GHz. The average levels were obtained by subtracting the duty cycle correction factor from the peak readings.

The following procedures were used to convert the emission levels measured in decibels referenced to 1 microvolt (dBuV) into field intensity in micro volts per meter (uV/m).

The actual field intensity in decibels referenced to 1 microvolt in to field intensity in micro volts per meter (dBuV/m).

The actual field intensity in decibels referenced to 1 microvolt per meter (dBuV/m) is determined by algebraically adding the measured reading in dBuV, the antenna factor (dB), and cable loss (dB) and Subtracting the gain of preamplifier (dB) is auto calculate in spectrum analyzer.

$$(1) \text{ Amplitude (dBuV/m) = FI (dBuV) + AF (dBuV) + CL (dBuV) - Gain (dB)}$$

FI= Reading of the field intensity.

AF= Antenna factor.

CL= Cable loss.

P.S Amplitude is auto calculate in spectrum analyzer.

$$(2) \text{ Actual Amplitude (dBuV/m) = Amplitude (dBuV) - Dis(dB)}$$

The FCC specified emission limits were calculated according the EUT operating frequency and by following linear interpolation equations:

(a) For fundamental frequency : Transmitter Output < +30dBm

(b) For spurious frequency : Spurious emission limits = fundamental emission limit /10

Data of measurement within this frequency range without mark in the table above means the reading of emissions are attenuated more than 20dB below the permissible limits or the field strength is too small to be measured.

**6.5. Test Result****Below 1GHz**

Standard:	FCC Part 15C	Test Distance:	3m
Test item:	Radiated Emission	Power:	AC 120V/60Hz
Model Number:	FILCKTLBT2-33	Temp.(°C)/Hum.(%RH):	26(°C)/60%RH
Mode:	1	Date:	12/11/2015
		Test By:	Eric Ou Yang

Frequency (MHz)	Reading (dBuV)	Correct Factor (dB/m)	Result (dBuV/m)	Limit (dBuV/m)	Margin (dB)	Remark	Ant.Polar. H / V
129.0000	29.61	-12.17	17.44	43.50	-26.06	QP	H
300.0000	27.93	-9.22	18.71	46.00	-27.29	QP	H
428.5000	26.98	-6.65	20.33	46.00	-25.67	QP	H
557.5000	26.70	-4.04	22.66	46.00	-23.34	QP	H
705.0000	26.44	-1.15	25.29	46.00	-20.71	QP	H
814.0000	26.16	0.83	26.99	46.00	-19.01	QP	H
166.5000	35.03	-11.09	23.94	43.50	-19.56	QP	V
297.5000	26.19	-9.26	16.93	46.00	-29.07	QP	V
433.0000	29.33	-6.56	22.77	46.00	-23.23	QP	V
619.0000	27.21	-2.84	24.37	46.00	-21.63	QP	V
791.0000	27.31	0.41	27.72	46.00	-18.28	QP	V
873.5000	29.19	2.16	31.35	46.00	-14.65	QP	V

Note: No emission found between lowest internal used/generated frequencies to 30MHz (9 kHz~30MHz).



**Above 1GHz**

Standard:	FCC Part 15C	Test Distance:	3m
Test item:	Radiated Emission	Power:	AC 120V/60Hz
Model Number:	FILCKTLBT2-33	Temp.(°C)/Hum.(%RH):	26(°C)/60%RH
Mode:	2	Date:	12/09/2015
Frequency:	2402 MHz	Test By:	Eric Ou Yang

Frequency (MHz)	Reading (dBuV)	Correct Factor (dB/m)	Result (dBuV/m)	Limit (dBuV/m)	Margin (dB)	Remark	Ant.Polar. H / V
2995.000	40.58	1.30	41.88	74.00	-32.12	peak	H
4804.000	38.08	7.38	45.46	74.00	-28.54	peak	H
7206.000	38.38	13.29	51.67	74.00	-22.33	peak	H
3030.000	38.74	1.46	40.20	74.00	-33.80	peak	V
4804.000	38.63	7.38	46.01	74.00	-27.99	peak	V
7206.000	37.99	13.29	51.28	74.00	-22.72	peak	V

Standard:	FCC Part 15C	Test Distance:	3m
Test item:	Radiated Emission	Power:	AC 120V/60Hz
Model Number:	FILCKTLBT2-33	Temp.(°C)/Hum.(%RH):	26(°C)/60%RH
Mode:	2	Date:	12/09/2015
Frequency:	2441 MHz	Test By:	Eric Ou Yang

Frequency (MHz)	Reading (dBuV)	Correct Factor (dB/m)	Result (dBuV/m)	Limit (dBuV/m)	Margin (dB)	Remark	Ant.Polar. H / V
3002.000	41.36	1.32	42.68	74.00	-31.32	peak	H
4882.000	37.55	7.66	45.21	74.00	-28.79	peak	H
7323.000	37.33	13.61	50.94	74.00	-23.06	peak	H
3121.000	38.21	1.88	40.09	74.00	-33.91	peak	V
4882.000	37.21	7.66	44.87	74.00	-29.13	peak	V
7323.000	37.79	13.61	51.40	74.00	-22.60	peak	V



Standard:		FCC Part 15C		Test Distance:		3m	
Test item:		Radiated Emission		Power:		AC 120V/60Hz	
Model Number:		FILCKTLBT2-33		Temp.(°C)/Hum.(%RH):		26(°C)/60%RH	
Mode:		2		Date:		12/09/2015	
Frequency:		2480 MHz		Test By:		Eric Ou Yang	
Frequency (MHz)	Reading (dBuV)	Correct Factor (dB/m)	Result (dBuV/m)	Limit (dBuV/m)	Margin (dB)	Remark	Ant.Polar. H / V
2995.000	41.15	1.30	42.45	74.00	-31.55	peak	H
4960.000	36.41	7.93	44.34	74.00	-29.66	peak	H
7440.000	37.47	13.92	51.39	74.00	-22.61	peak	H
3044.000	39.44	1.51	40.95	74.00	-33.05	peak	V
4960.000	39.01	7.93	46.94	74.00	-27.06	peak	V
7440.000	37.72	13.92	51.64	74.00	-22.36	peak	V



**Band Edge**

Standard:		FCC Part 15C		Test Distance:		3m	
Test item:		Radiated Emission		Power:		AC 120V/60Hz	
Model Number:		FILCKTLBT2-33		Temp.(°C)/Hum.(%RH):		26(°C)/60%RH	
Mode:		2		Date:		12/09/2015	
Frequency:		2402 MHz		Test By:		Eric Ou Yang	
Frequency (MHz)	Reading (dBuV)	Correct Factor (dB/m)	Result (dBuV/m)	Limit (dBuV/m)	Margin (dB)	Remark	Ant.Polar. H / V
2388.320	47.55	-0.33	47.22	74.00	-26.78	peak	H
2390.000	47.25	-0.33	46.92	74.00	-27.08	peak	H
2321.330	47.93	-0.59	47.34	74.00	-26.66	peak	V
2390.000	43.86	-0.33	43.53	74.00	-30.47	peak	V

Standard:		FCC Part 15C		Test Distance:		3m	
Test item:		Radiated Emission		Power:		AC 120V/60Hz	
Model Number:		FILCKTLBT2-33		Temp.(°C)/Hum.(%RH):		26(°C)/60%RH	
Mode:		2		Date:		12/09/2015	
Frequency:		2480 MHz		Test By:		Eric Ou Yang	
Frequency (MHz)	Reading (dBuV)	Correct Factor (dB/m)	Result (dBuV/m)	Limit (dBuV/m)	Margin (dB)	Remark	Ant.Polar. H / V
2483.500	54.01	0.03	54.04	74.00	-19.96	peak	H
2483.500	35.36	0.03	35.39	54.00	-18.61	AVG	H
2483.580	52.94	0.03	52.97	74.00	-21.03	peak	H
2483.580	35.34	0.03	35.37	54.00	-18.63	AVG	H
2483.500	50.46	0.03	50.49	74.00	-23.51	peak	V
2483.640	50.27	0.03	50.30	74.00	-23.70	peak	V



Standard:		FCC Part 15C		Test Distance:		3m	
Test item:		Radiated Emission		Power:		AC 120V/60Hz	
Model Number:		FILCKTLBT2-33		Temp.(°C)/Hum.(%RH):		26(°C)/60%RH	
Mode:		2		Date:		12/09/2015	
		Hopping		Test By:		Eric Ou Yang	
Frequency (MHz)	Reading (dBuV)	Correct Factor (dB/m)	Result (dBuV/m)	Limit (dBuV/m)	Margin (dB)	Remark	Ant.Polar. H / V
2390.000	39.85	-0.33	39.52	74.00	-34.48	peak	H
2472.260	94.97	-0.02	94.95	114.00	-19.05	peak	H
2483.500	40.44	0.03	40.47	74.00	-33.53	peak	H
2390.000	39.09	-0.33	38.76	74.00	-35.24	peak	V
2405.000	92.73	-0.27	92.46	114.00	-21.54	peak	V
2483.500	39.83	0.03	39.86	74.00	-34.14	peak	V

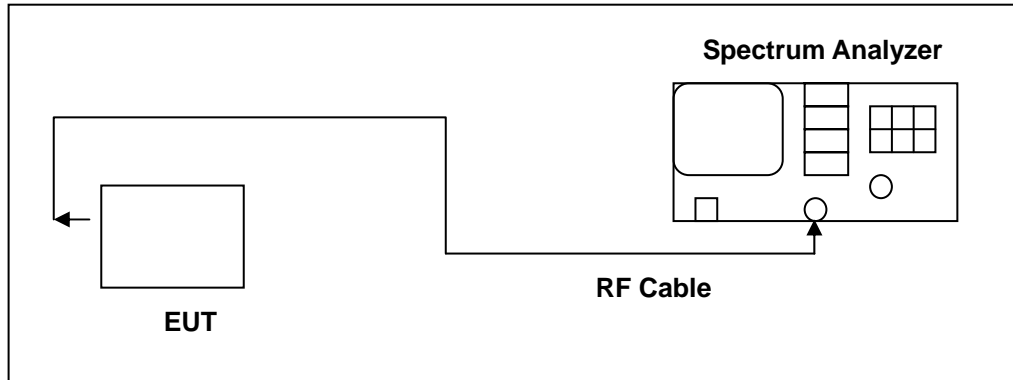


## 7 20dB RF Bandwidth Measurement

### 7.1. Limit

N/A

### 7.2. Test Setup



### 7.3. Test Instruments

Equipment	Manufacturer	Model Number	Serial Number	Cal. Date	Remark
Spectrum Analyzer	Agilent	E4445A	MY45300744	12/16/2014	(1)
Microwave Cable	EMCI	EMC104-SM-SM-1 500	140303	02/24/2015	(1)
Test Site	ATL	TE05	TE05	N.C.R.	-----

Remark: (1) Calibration period 1 year.

NOTE: N.C.R. = No Calibration Request.



## 7.4. Test Procedure

### 20dB RF Bandwidth

Testing must be done according to this procedure, FCC Public Notice DA 00-705 - Filing and Measurement Guidelines for Frequency Hopping Spread Spectrum Systems. This is the only method recognized by the FCC. The RF output port of the Equipment-Under-Test is directly coupled to the input of the EMC analyzer through a specialized RF connector and a 10dB passive attenuator. A fully charged battery was used for the supply voltage. The Bluetooth frequency hopping function of the EUT was enabled. The spectrum analyzer used the following settings:

1. Span = approx. 2 to 3 times the 20dB bandwidth, centered on a hopping frequency
2. RBW  $\geq$  1% of the 20dB span
3. VBW  $\geq$  RBW
4. Sweep = auto
5. Detector function = peak
6. Trace = max hold

The trace was allowed to stabilize. The EUT was transmitting at its maximum data rate. The marker-to-peak function was used to set the marker to the peak of the emission. The marker-delta function was used to measure 20dB down one side of the emission. The marker-delta function and marker was moved to the other side of the emission until it was even with the reference marker. The marker-delta reading at this point was the 20dB bandwidth of the emission.



### 7.5. Test Result

Model Number	FILCKTLBT2-33		
Test Item	20dB RF Bandwidth and 99 % Occupied Bandwidth		
Test Mode	Mode 2		
Date of Test	11/30/2015	Test Site	TE05
Test Mode	Frequency (MHz)	20dB RF Bandwidth (MHz)	Limit (MHz)
Mode 2	2402	1.031	----
	2441	1.020	----
	2480	1.024	----



### 7.6. Test Graphs

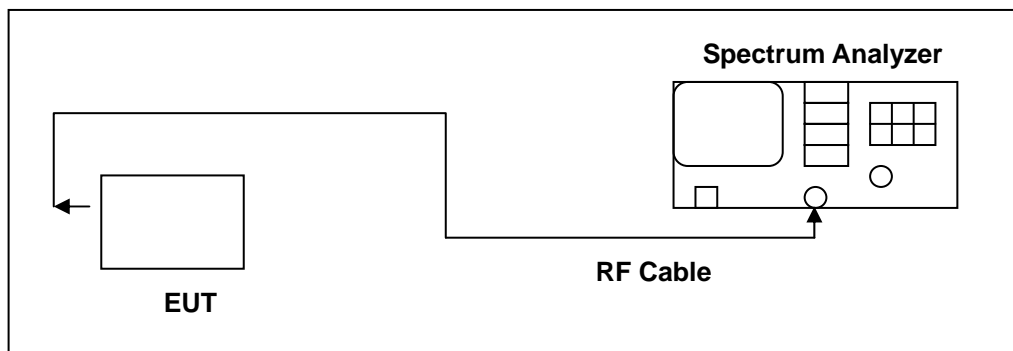
Mode 2: GFSK Link Mode	
2402	<p>Agilent Spectrum Analyzer - Occupied BW</p> <p>Center Freq: 2.40200000 GHz        Trig: Free Run        #Atten: 24 dB        Avg/Hold: &gt; 10/10        Radio Std: None        Radio Device: BTS</p> <p>Ref 10.00 dBm</p> <p>Center 2.402 GHz        #Res BW 30 kHz        #VBW 100 kHz        Span 3 MHz        Sweep 3.2 ms</p> <p>Occupied Bandwidth <b>946.67 kHz</b> Total Power 2.67 dBm</p> <p>Transmit Freq Error 16.118 kHz OBW Power 99.00 %</p> <p>x dB Bandwidth 1.031 MHz x dB -20.00 dB</p>
2441	<p>Agilent Spectrum Analyzer - Occupied BW</p> <p>Center Freq: 2.441000000 GHz        Trig: Free Run        #Atten: 24 dB        Avg/Hold: &gt; 10/10        Radio Std: None        Radio Device: BTS</p> <p>Ref 15.00 dBm</p> <p>Center 2.441 GHz        #Res BW 30 kHz        #VBW 100 kHz        Span 3 MHz        Sweep 3.2 ms</p> <p>Occupied Bandwidth <b>939.32 kHz</b> Total Power 1.86 dBm</p> <p>Transmit Freq Error 20.047 kHz OBW Power 99.00 %</p> <p>x dB Bandwidth 1.020 MHz x dB -20.00 dB</p>
2480	<p>Agilent Spectrum Analyzer - Occupied BW</p> <p>Center Freq: 2.480000000 GHz        Trig: Free Run        #Atten: 24 dB        Avg/Hold: &gt; 10/10        Radio Std: None        Radio Device: BTS</p> <p>Ref 15.00 dBm</p> <p>Center 2.48 GHz        #Res BW 30 kHz        #VBW 100 kHz        Span 3 MHz        Sweep 3.2 ms</p> <p>Occupied Bandwidth <b>939.76 kHz</b> Total Power 1.18 dBm</p> <p>Transmit Freq Error 23.298 kHz OBW Power 99.00 %</p> <p>x dB Bandwidth 1.024 MHz x dB -20.00 dB</p>

## 8 Carrier Frequency Separation Measurement

### 8.1. Limit

Title 47 of the CFR, Part 15 Subpart (c) 15.247(a)(1) requires the measurement of the bandwidth of the transmission between the -20 dB points on the transmitted spectrum. The results of this test determine the limits for channel spacing. The channel spacing shall be a minimum of 25 kHz or the 20 dB bandwidth, whichever is greater. Alternatively, frequency hopping systems operating in the 2400-2483.5 MHz band may have hopping channel carrier frequencies that are separated by 25 kHz or two-thirds of the 20 dB bandwidth of the hopping channel.

### 8.2. Test Setup



### 8.3. Test Instruments

Equipment	Manufacturer	Model Number	Serial Number	Cal. Date	Remark
Spectrum Analyzer	Agilent	E4445A	MY45300744	12/16/2014	(1)
Microwave Cable	EMCI	EMC104-SM-SM-1 500	140303	02/24/2015	(1)
Test Site	ATL	TE05	TE05	N.C.R.	-----

Remark: (1) Calibration period 1 year.

NOTE: N.C.R. = No Calibration Request.



## 8.4. Test Procedure

Testing must be done according to this procedure, FCC Public Notice DA 00-705 - Filing and Measurement Guidelines for Frequency Hopping Spread Spectrum Systems. This is the only method recognized by the FCC. The RF output port of the Equipment-Under-Test is directly coupled to the input of the EMC analyzer through a specialized RF connector and a 10dB passive attenuator. A fully charged battery was used for the supply voltage. The Bluetooth transmitter of the hopping function enabled. The following spectrum analyzer settings were used:

1. Span = wide enough to capture the peaks of two adjacent channels
2. Resolution (or IF) Bandwidth (RBW)  $\geq$  1% of the span
3. Video (or Average) Bandwidth (VBW)  $\geq$  RBW
4. Sweep = auto
5. Detector function = peak
6. Trace = max hold

The trace was allowed to stabilize. The marker-delta function was used to determine the separation between the peaks of the adjacent channels.



**8.5. Test Result**

Model Number	FILCKTLBT2-33		
Test Item	Carrier Frequency Separation		
Test Mode	Mode 2		
Date of Test	11/30/2015	Test Site	TE05
Test Mode	Frequency (MHz)	Measurement (MHz)	Limit (MHz)
Mode 2	2402	1.000	> 0.687
	2441	1.000	> 0.680
	2480	1.000	> 0.683

### 8.6. Test Graphs

Mode 2: GFSK Link Mode																																	
2402	<p>Agilent Spectrum Analyzer - Swept SA</p> <p>PRO: Wide <input type="checkbox"/> Trig: Free Run Atten: 24 dB Avg Type: Log-Pwr Avg/Hold: 100/100</p> <p>Ref Offset 1 dB Ref 15.00 dBm Mkr3 2.404 000 GHz -2.566 dBm</p> <p>Center 2.403000 GHz Span 3.000 MHz #Res BW 30 kHz #VBW 100 kHz #Sweep 10.00 ms (1001 pts)</p> <table border="1"> <thead> <tr> <th>MKR MODE</th> <th>TRC</th> <th>SCL</th> <th>X</th> <th>Y</th> <th>FUNCTION</th> <th>FUNCTION WIDTH</th> <th>FUNCTION VALUE</th> </tr> </thead> <tbody> <tr> <td>1</td> <td>N</td> <td>1</td> <td>f</td> <td>2.402 000 GHz</td> <td>-2.622 dBm</td> <td></td> <td></td> </tr> <tr> <td>2</td> <td>N</td> <td>1</td> <td>f</td> <td>2.403 000 GHz</td> <td>-2.209 dBm</td> <td></td> <td></td> </tr> <tr> <td>3</td> <td>N</td> <td>1</td> <td>f</td> <td>2.404 000 GHz</td> <td>-2.566 dBm</td> <td></td> <td></td> </tr> </tbody> </table>	MKR MODE	TRC	SCL	X	Y	FUNCTION	FUNCTION WIDTH	FUNCTION VALUE	1	N	1	f	2.402 000 GHz	-2.622 dBm			2	N	1	f	2.403 000 GHz	-2.209 dBm			3	N	1	f	2.404 000 GHz	-2.566 dBm		
MKR MODE	TRC	SCL	X	Y	FUNCTION	FUNCTION WIDTH	FUNCTION VALUE																										
1	N	1	f	2.402 000 GHz	-2.622 dBm																												
2	N	1	f	2.403 000 GHz	-2.209 dBm																												
3	N	1	f	2.404 000 GHz	-2.566 dBm																												
2441	<p>Agilent Spectrum Analyzer - Swept SA</p> <p>PRO: Wide <input type="checkbox"/> Trig: Free Run Atten: 24 dB Avg Type: Log-Pwr Avg/Hold: 100/100</p> <p>Ref Offset 1 dB Ref 15.00 dBm Mkr1 2.440 000 GHz -2.980 dBm</p> <p>Center 2.441000 GHz Span 3.000 MHz #Res BW 30 kHz #VBW 100 kHz #Sweep 10.00 ms (1001 pts)</p> <table border="1"> <thead> <tr> <th>MKR MODE</th> <th>TRC</th> <th>SCL</th> <th>X</th> <th>Y</th> <th>FUNCTION</th> <th>FUNCTION WIDTH</th> <th>FUNCTION VALUE</th> </tr> </thead> <tbody> <tr> <td>1</td> <td>N</td> <td>1</td> <td>f</td> <td>2.440 000 GHz</td> <td>-2.980 dBm</td> <td></td> <td></td> </tr> <tr> <td>2</td> <td>N</td> <td>1</td> <td>f</td> <td>2.441 000 GHz</td> <td>-3.271 dBm</td> <td></td> <td></td> </tr> <tr> <td>3</td> <td>N</td> <td>1</td> <td>f</td> <td>2.442 000 GHz</td> <td>-5.048 dBm</td> <td></td> <td></td> </tr> </tbody> </table>	MKR MODE	TRC	SCL	X	Y	FUNCTION	FUNCTION WIDTH	FUNCTION VALUE	1	N	1	f	2.440 000 GHz	-2.980 dBm			2	N	1	f	2.441 000 GHz	-3.271 dBm			3	N	1	f	2.442 000 GHz	-5.048 dBm		
MKR MODE	TRC	SCL	X	Y	FUNCTION	FUNCTION WIDTH	FUNCTION VALUE																										
1	N	1	f	2.440 000 GHz	-2.980 dBm																												
2	N	1	f	2.441 000 GHz	-3.271 dBm																												
3	N	1	f	2.442 000 GHz	-5.048 dBm																												
2480	<p>Agilent Spectrum Analyzer - Swept SA</p> <p>PRO: Wide <input type="checkbox"/> Trig: Free Run Atten: 24 dB Avg Type: Log-Pwr Avg/Hold: 100/100</p> <p>Ref Offset 1 dB Ref 15.00 dBm Mkr3 2.480 019 GHz -2.709 dBm</p> <p>Center 2.479000 GHz Span 3.000 MHz #Res BW 30 kHz #VBW 100 kHz #Sweep 10.00 ms (1001 pts)</p> <table border="1"> <thead> <tr> <th>MKR MODE</th> <th>TRC</th> <th>SCL</th> <th>X</th> <th>Y</th> <th>FUNCTION</th> <th>FUNCTION WIDTH</th> <th>FUNCTION VALUE</th> </tr> </thead> <tbody> <tr> <td>1</td> <td>N</td> <td>1</td> <td>f</td> <td>2.478 019 GHz</td> <td>-2.593 dBm</td> <td></td> <td></td> </tr> <tr> <td>2</td> <td>N</td> <td>1</td> <td>f</td> <td>2.479 019 GHz</td> <td>-2.634 dBm</td> <td></td> <td></td> </tr> <tr> <td>3</td> <td>N</td> <td>1</td> <td>f</td> <td>2.480 019 GHz</td> <td>-2.709 dBm</td> <td></td> <td></td> </tr> </tbody> </table>	MKR MODE	TRC	SCL	X	Y	FUNCTION	FUNCTION WIDTH	FUNCTION VALUE	1	N	1	f	2.478 019 GHz	-2.593 dBm			2	N	1	f	2.479 019 GHz	-2.634 dBm			3	N	1	f	2.480 019 GHz	-2.709 dBm		
MKR MODE	TRC	SCL	X	Y	FUNCTION	FUNCTION WIDTH	FUNCTION VALUE																										
1	N	1	f	2.478 019 GHz	-2.593 dBm																												
2	N	1	f	2.479 019 GHz	-2.634 dBm																												
3	N	1	f	2.480 019 GHz	-2.709 dBm																												

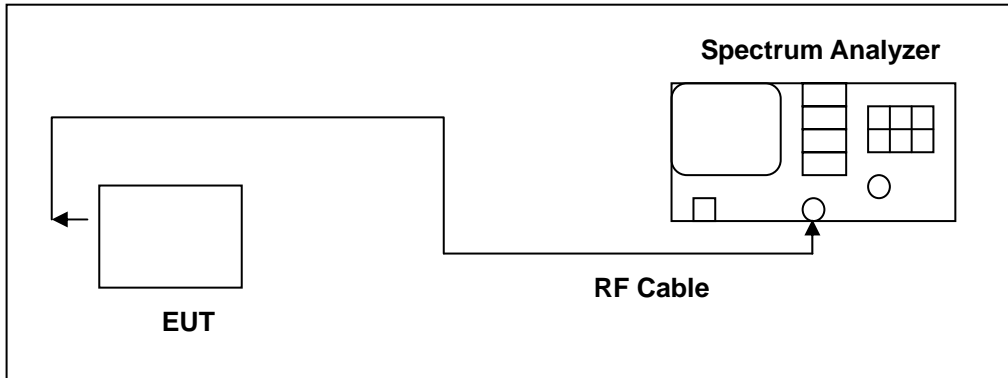


## 9 Number of Hopping Measurement

### 9.1. Limit

Frequency hopping systems in the 2400–2483.5 MHz band shall use at least 15 channels.

### 9.2. Test Setup



### 9.3. Test Instruments

Equipment	Manufacturer	Model Number	Serial Number	Cal. Date	Remark
Spectrum Analyzer	Agilent	E4445A	MY45300744	12/16/2014	(1)
Microwave Cable	EMCI	EMC104-SM-SM-1500	140303	02/24/2015	(1)
Test Site	ATL	TE05	TE05	N.C.R.	-----

Remark: (1) Calibration period 1 year.

NOTE: N.C.R. = No Calibration Request.

### 9.4. Test Procedure

Testing must be done according to this procedure, FCC Public Notice DA 00-705 - Filing and Measurement Guidelines for Frequency Hopping Spread Spectrum Systems. This is the only method recognized by the FCC. The RF output port of the Equipment-Under-Test is directly coupled to the input of the EMC analyzer through a specialized RF connector and a 10dB passive attenuator. A fully charged battery was used for the supply voltage. The Bluetooth frequency hopping function of the EUT was enabled. The spectrum analyzer used the following settings:

1. Span = the frequency band of operation
2. RBW  $\geq$  1% of the span
3. VBW  $\geq$  RBW
4. Sweep = auto
5. Detector function = peak
6. Trace = max hold

The trace was allowed to stabilize.

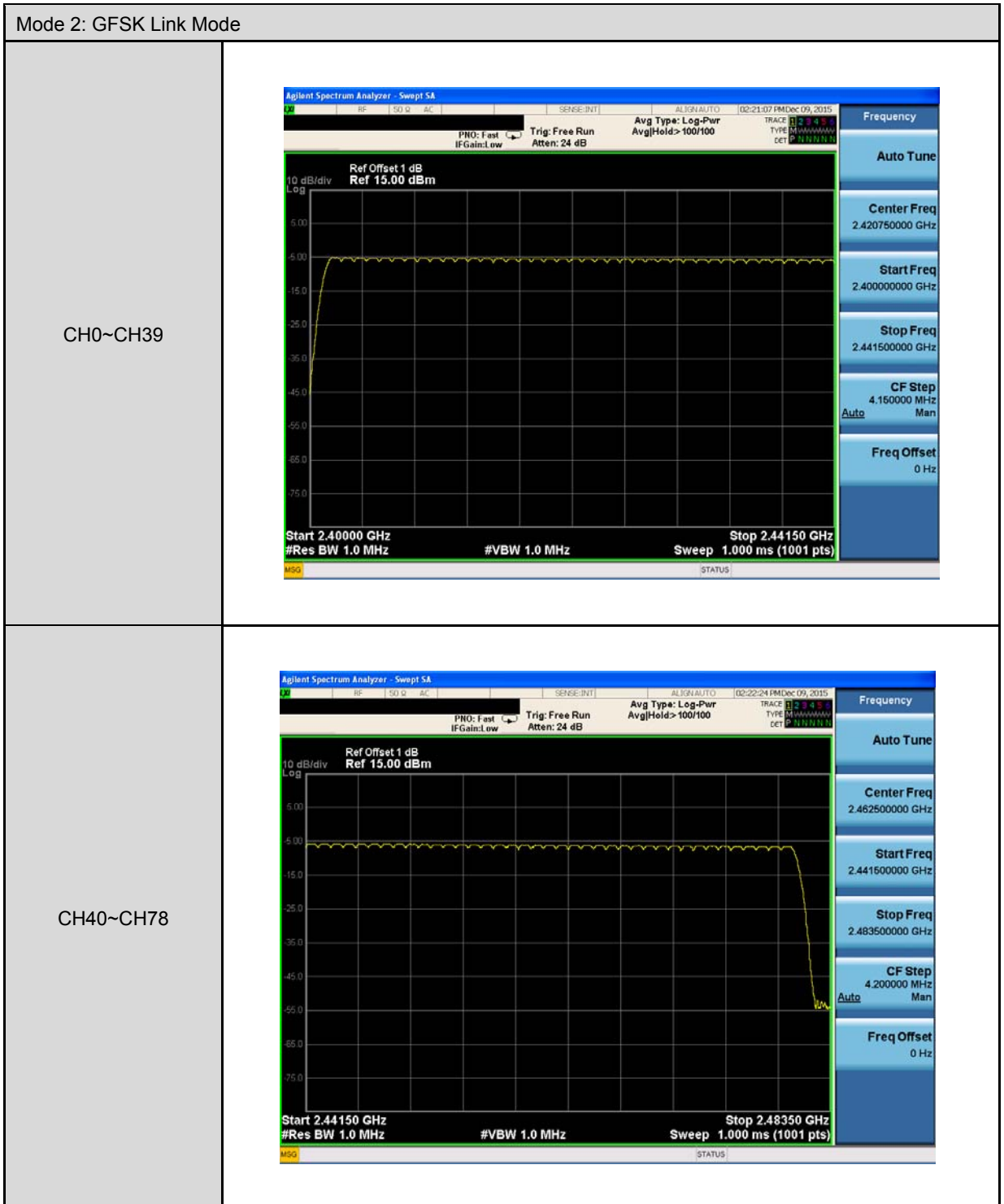


### 9.5. Test Result

Model Number	FILCKTLBT2-33		
Test Item	Number of Hopping		
Test Mode	Mode 2		
Date of Test	11/30/2015	Test Site	TE05
Test Mode	Frequency Range (MHz)	Measurement (ch)	Limit (ch)
Mode 2	2402 - 2480	79	> 15



### 9.6. Test Graphs

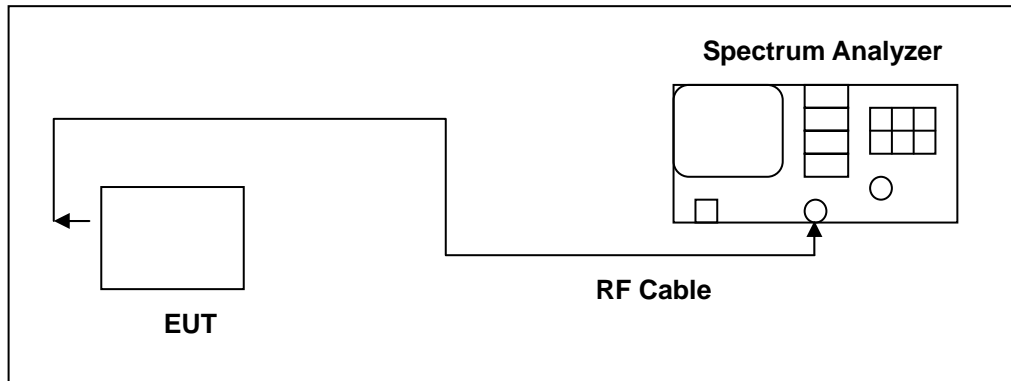


## 10 Time of Occupancy (Dwell Time) Measurement

### 10.1. Limit

The average time of occupancy on any channel shall not be greater than 0.4 seconds within a period of 0.4 seconds multiplied by the number of hopping channels employed.

### 10.2. Test Setup



### 10.3. Test Instruments

Equipment	Manufacturer	Model Number	Serial Number	Cal. Date	Remark
Spectrum Analyzer	Agilent	E4445A	MY45300744	12/16/2014	(1)
Microwave Cable	EMCI	EMC104-SM-SM-1500	140303	02/24/2015	(1)
Test Site	ATL	TE05	TE05	N.C.R.	----

Remark: (1) Calibration period 1 year.

NOTE: N.C.R. = No Calibration Request.

### 10.4. Test Procedure

Testing must be done according to this procedure, FCC Public Notice DA 00-705 - Filing and Measurement Guidelines for Frequency Hopping Spread Spectrum Systems. This is the only method recognized by the FCC. The RF output port of the Equipment-Under-Test is directly coupled to the input of the spectrum through a specialized RF connector and a 10dB passive attenuator. A fully charged battery was used for the supply voltage. The Bluetooth hopping function of the EUT was enabled. The following spectrum analyzer settings were used:

1. Span = zero span, centered on a hopping channel
2. RBW = 1 MHz
3. VBW  $\geq$  RBW
4. Sweep = as necessary to capture the entire dwell time per hopping channel
5. Detector function = peak
6. Trace = max hold

The marker-delta function was used to determine the dwell time.



**10.5. Test Result**

Model Number	FILCKTLBT2-33		
Test Item	Time of Occupancy (Dwell Time)		
Test Mode	Mode 2: GFSK Link Mode		
Date of Test	11/30/2015	Test Site	TE05
DH1			
Cycle Calculate	79CH * 0.4 = 31.6 (sec)		
The EUT Hopping Number per Sec	1600 times/sec		
Each Channel Dwell Times per Sec	800/79CH = 10.13(times/sec)		
Each Channel Dwell Times on Cycle(1)	31.6 * 10.13 = 320.108(times)		
Each Channel Dwell Times (2)	0.470	ms (sec)	
Dwell Times on Cycle (1) * (2)	150.4508	ms (sec)	
LIMIT(msec)	< = 400		
DH3			
Cycle Calculate	79CH * 0.4 = 31.6 (sec)		
The EUT Hopping Number per Sec	1600 times/sec		
Each Channel Dwell Times per Sec	400/79CH = 5.1(times/sec)		
Each Channel Dwell Times on Cycle(1)	31.6 * 5.1 = 161.16(times)		
Each Channel Dwell Times (2)	1.730	ms (sec)	
Dwell Times on Cycle (1) * (2)	276.6201	ms (sec)	
LIMIT(msec)	< = 400		
DH5			
Cycle Calculate	79CH * 0.4 = 31.6 (sec)		
The EUT Hopping Number per Sec	1600 times/sec		
Each Channel Dwell Times per Sec	266.7/79CH = 3.37(times/sec)		
Each Channel Dwell Times on Cycle(1)	31.6 * 3.37 = 106.492(times)		
Each Channel Dwell Times (2)	2.970	ms (sec)	
Dwell Times on Cycle (1) * (2)	317.2198	ms (sec)	
LIMIT(msec)	< = 400		



### 10.6. Test Graphs

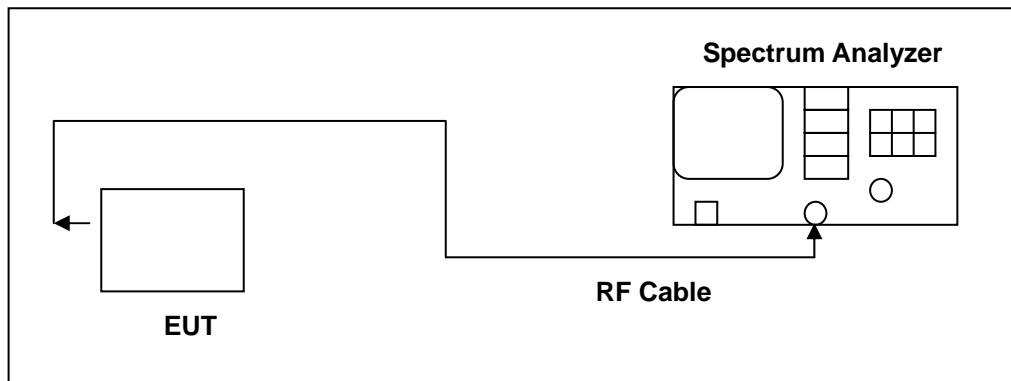
Mode 2: GFSK Link Mode	
DH1	
DH3	
DH5	

## 11 Out of Band Conducted Emissions Measurement

### 11.1. Limit

In any 100 kHz bandwidth outside the frequency band in which the spread spectrum or digitally modulated intentional radiator is operating, the radio frequency power that is produced by the intentional radiator shall be at least 20 dB below that in the 100 kHz bandwidth within the band that contains the highest level of the desired power

### 11.2. Test Setup



### 11.3. Test Instruments

Equipment	Manufacturer	Model Number	Serial Number	Cal. Date	Remark
Spectrum Analyzer	Agilent	E4445A	MY45300744	12/16/2014	(1)
Spectrum Analyzer	Agilent	E4408B	MY45107753	07/27/2015	(1)
Microwave Cable	EMCI	EMC104-SM-SM-1 500	140303	02/24/2015	(1)
Test Site	ATL	TE05	TE05	N.C.R.	----

Remark: (1) Calibration period 1 year.

NOTE: N.C.R. = No Calibration Request.

### 11.4. Test Procedure

Testing must be done according to this procedure, FCC Public Notice DA 00-705 - Filing and Measurement Guidelines for Frequency Hopping Spread Spectrum Systems. This is the only method recognized by the FCC. In any 100 kHz bandwidth outside the EUT pass band, the RF power produced by the modulation products of the spreading sequence, the information sequence, and the carrier frequency shall be at least 20 dB below that of the maximum in-band 100 kHz emission, antenna output of the EUT was coupled directly to spectrum analyzer; if an external attenuator and/or cable was used, these losses are compensated for with the analyzer OFFSET function. All other types of emissions from the EUT shall meet the general limits for radiated frequencies outside the pass band. The test was performed at 3 channels (Channel 0, 39, 78)



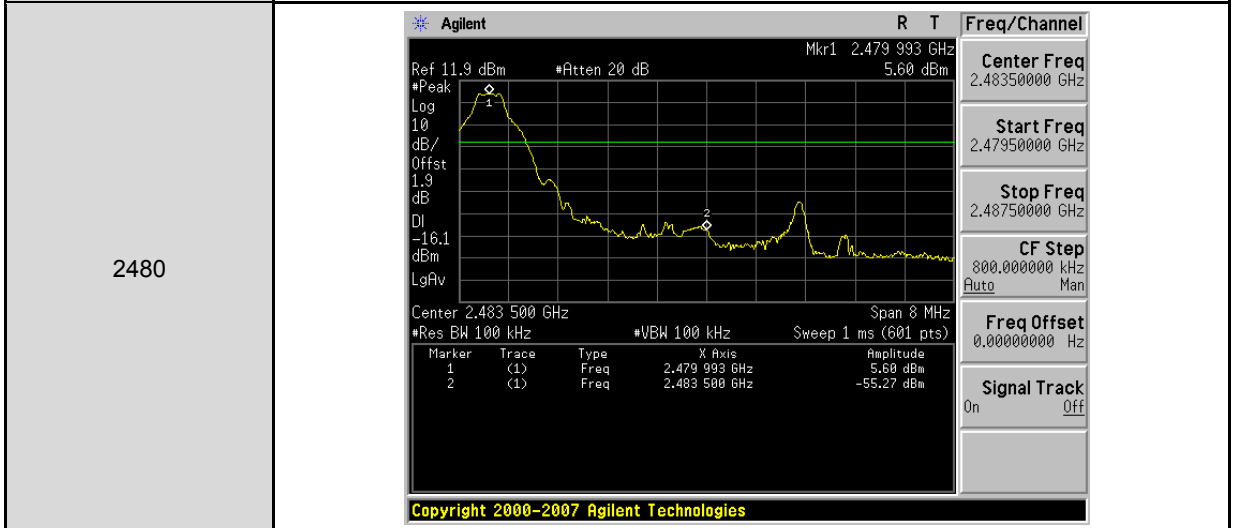
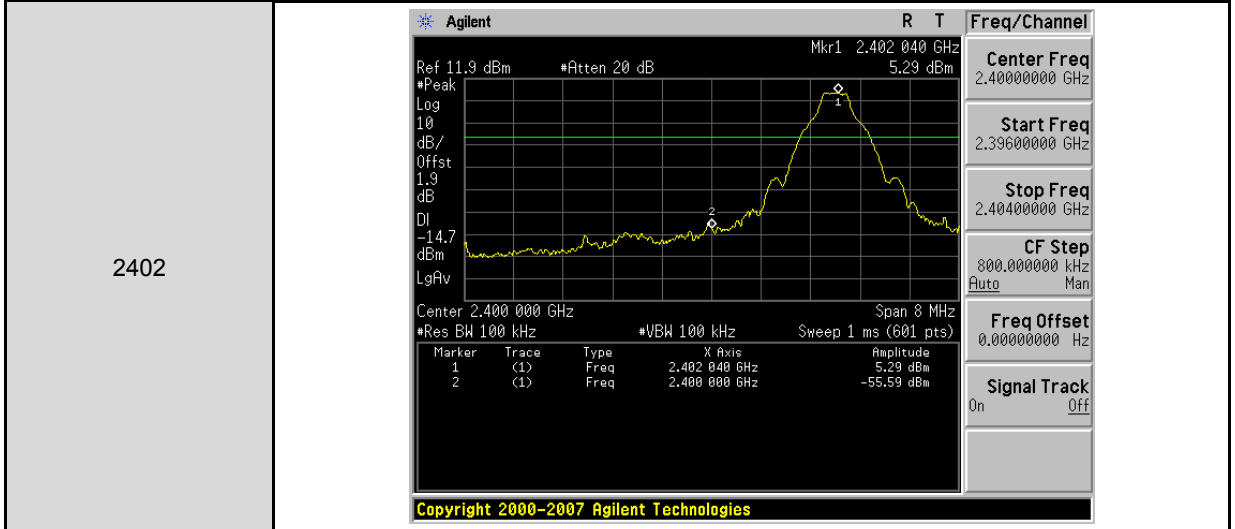
### 11.5. Test Graphs

Mode 2: GFSK Link Mode																			
2402	<p>Agilent Spectrum Analyzer - Swept SA</p> <p>02:26:36 PM Dec 09, 2015</p> <p>PN0: Fast Trig: Free Run Avg Type: Log-Pwr</p> <p>IF Gain: Low Atten: 24 dB</p> <p>Ref Offset 1 dB Ref 15.00 dBm</p> <p>Mkr1 2.402 GHz -5.906 dBm</p> <p>Start 30 MHz Stop 26.50 GHz</p> <p>#Res BW 100 kHz #VBW 300 kHz Sweep 2.530 s (1001 pts)</p> <table border="1"> <thead> <tr> <th>MKR</th> <th>MODE</th> <th>TRC</th> <th>SCL</th> <th>X</th> <th>Y</th> <th>FUNCTION</th> <th>FUNCTION WIDTH</th> <th>FUNCTION VALUE</th> </tr> </thead> <tbody> <tr> <td>1</td> <td>N</td> <td>1</td> <td>f</td> <td>2.402 GHz</td> <td>-5.906 dBm</td> <td></td> <td></td> <td></td> </tr> </tbody> </table> <p>Frequency</p> <p>Auto Tune</p> <p>Center Freq 13.265000000 GHz</p> <p>Start Freq 30.000000 MHz</p> <p>Stop Freq 26.500000000 GHz</p> <p>CF Step 2.647000000 GHz</p> <p>Freq Offset 0 Hz</p>	MKR	MODE	TRC	SCL	X	Y	FUNCTION	FUNCTION WIDTH	FUNCTION VALUE	1	N	1	f	2.402 GHz	-5.906 dBm			
MKR	MODE	TRC	SCL	X	Y	FUNCTION	FUNCTION WIDTH	FUNCTION VALUE											
1	N	1	f	2.402 GHz	-5.906 dBm														
2441	<p>Agilent Spectrum Analyzer - Swept SA</p> <p>02:27:11 PM Dec 09, 2015</p> <p>PN0: Fast Trig: Free Run Avg Type: Log-Pwr</p> <p>IF Gain: Low Atten: 24 dB</p> <p>Ref Offset 1 dB Ref 15.00 dBm</p> <p>Mkr1 2.441 GHz -7.048 dBm</p> <p>Start 30 MHz Stop 26.50 GHz</p> <p>#Res BW 100 kHz #VBW 300 kHz Sweep 2.530 s (1001 pts)</p> <table border="1"> <thead> <tr> <th>MKR</th> <th>MODE</th> <th>TRC</th> <th>SCL</th> <th>X</th> <th>Y</th> <th>FUNCTION</th> <th>FUNCTION WIDTH</th> <th>FUNCTION VALUE</th> </tr> </thead> <tbody> <tr> <td>1</td> <td>N</td> <td>1</td> <td>f</td> <td>2.441 GHz</td> <td>-7.048 dBm</td> <td></td> <td></td> <td></td> </tr> </tbody> </table> <p>Frequency</p> <p>Auto Tune</p> <p>Center Freq 13.265000000 GHz</p> <p>Start Freq 30.000000 MHz</p> <p>Stop Freq 26.500000000 GHz</p> <p>CF Step 2.647000000 GHz</p> <p>Freq Offset 0 Hz</p>	MKR	MODE	TRC	SCL	X	Y	FUNCTION	FUNCTION WIDTH	FUNCTION VALUE	1	N	1	f	2.441 GHz	-7.048 dBm			
MKR	MODE	TRC	SCL	X	Y	FUNCTION	FUNCTION WIDTH	FUNCTION VALUE											
1	N	1	f	2.441 GHz	-7.048 dBm														
2480	<p>Agilent Spectrum Analyzer - Swept SA</p> <p>02:27:46 PM Dec 09, 2015</p> <p>PN0: Fast Trig: Free Run Avg Type: Log-Pwr</p> <p>IF Gain: Low Atten: 24 dB</p> <p>Ref Offset 1 dB Ref 15.00 dBm</p> <p>Mkr1 2.480 GHz -8.019 dBm</p> <p>Start 30 MHz Stop 26.50 GHz</p> <p>#Res BW 100 kHz #VBW 300 kHz Sweep 2.530 s (1001 pts)</p> <table border="1"> <thead> <tr> <th>MKR</th> <th>MODE</th> <th>TRC</th> <th>SCL</th> <th>X</th> <th>Y</th> <th>FUNCTION</th> <th>FUNCTION WIDTH</th> <th>FUNCTION VALUE</th> </tr> </thead> <tbody> <tr> <td>1</td> <td>N</td> <td>1</td> <td>f</td> <td>2.480 GHz</td> <td>-8.019 dBm</td> <td></td> <td></td> <td></td> </tr> </tbody> </table> <p>Frequency</p> <p>Auto Tune</p> <p>Center Freq 13.265000000 GHz</p> <p>Start Freq 30.000000 MHz</p> <p>Stop Freq 26.500000000 GHz</p> <p>CF Step 2.647000000 GHz</p> <p>Freq Offset 0 Hz</p>	MKR	MODE	TRC	SCL	X	Y	FUNCTION	FUNCTION WIDTH	FUNCTION VALUE	1	N	1	f	2.480 GHz	-8.019 dBm			
MKR	MODE	TRC	SCL	X	Y	FUNCTION	FUNCTION WIDTH	FUNCTION VALUE											
1	N	1	f	2.480 GHz	-8.019 dBm														

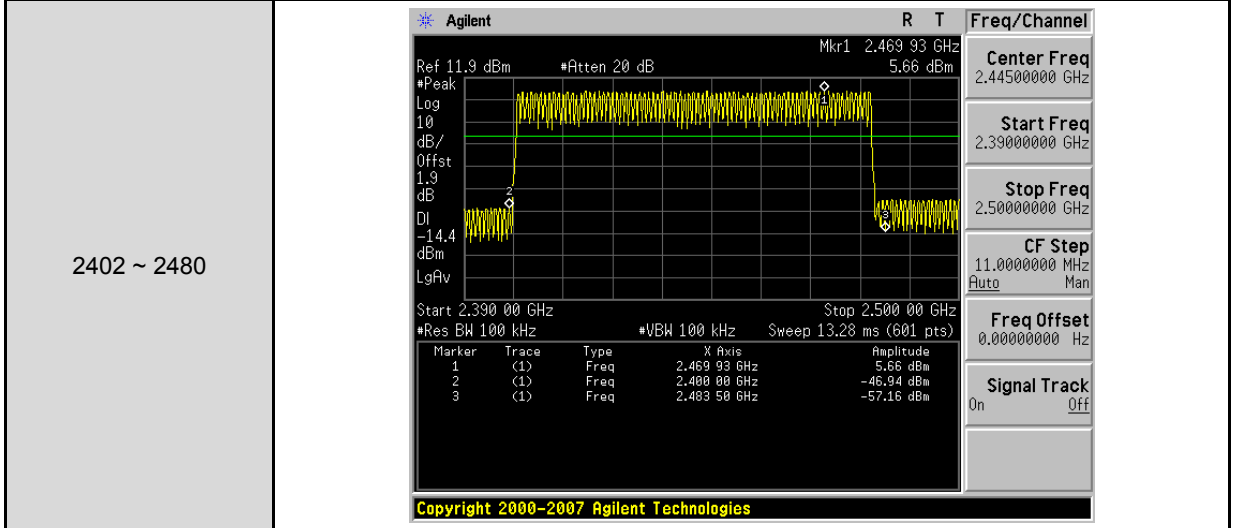




Mode 2: GFSK Link Mode \_ Un-hopping



Mode 2: GFSK Link Mode \_ Hopping





## **12 Antenna Measurement**

### **12.1. Limit**

For intentional device, according to 15.203, an intentional radiator shall be designed to ensure that no antenna other than that furnished by the responsible party shall be used with the device.

And According to 15.247 (b)(4), if transmitting antennas of directional gain greater than 6 dBi are used, the power shall be reduced by the amount in dB that the directional gain of the antenna exceeds 6dBi.

### **12.2. Antenna Connector Construction**

The antenna used in this product is Printed Antenna. And the maximum Gain of this antenna is only 0.22 dBi.