

Test Site:
FCC Test Site No.: 96997
IC OATS No.: IC3475A-1



**BUREAU
VERITAS**

ECL-EMC Test Report No.: 14-202

Equipment under test: **TFAH-ES70/80** **700MHz Path**
FCC ID: **XS5-TFAHES78**

Type of test: **FCC 47 CFR Part 90 Subpart R: 2014**
Private Land Mobile Repeater

Measurement Procedures: 47 CFR Parts 2:2014 (*Frequency Allocations and Radio Treaty Matters; General Rules and Regulations*), Part 90:2014 (*Private Land Mobile*), ANSI/TIA-603-C (2004), *Land Mobile FM or PM Communications Equipment Measurement and Performance Standards*

Test result: **Passed**

Date of issue:	23.04.15		Signature:
Issue-No.:	02	Author:	
Date of delivery:	11.08.14	Checked:	
Test dates:	17.02.2014 – 22.04.15		
Pages:	46		



Manufacturer: ANDREW Wireless Systems GmbH
Industriering 10

D-86675 Buchdorf

Tel.: +49 (0)9099 69 0

Fax: +49 (0)9099 69 140

Test Location: Bureau Veritas Consumer Products Services
Germany GmbH

European Compliance Laboratory (ECL)

Thurn-und-Taxis-Straße 18

D-90411 Nürnberg

Tel.: +49 40 74041 0

Fax: +49 40 74041-2755

General:

The purpose of this report is to show compliance to the FCC regulations for licensed devices operating under section 90 of the Code of Federal Regulations title 47.

This report informs about the results of the RF tests, it only refers to the equipment under test. No part of this report may be reproduced in any form, without written permission.



Table of contents

1	TEST RESULTS SUMMARY	5
2	EQUIPMENT UNDER TEST (E.U.T.)	6
2.1	DESCRIPTION	6
2.1.1	DOWNLINK	6
2.1.2	UPLINK	6
2.1.3	DESCRIPTION OF EUT	6
2.1.4	BLOCK DIAGRAM OF MEASUREMENT REFERENCE POINTS	7
2.1.5	DOWNLINK SYSTEM GAIN AND OUTPUT POWER.....	7
3	TEST SITE (ANDREW BUCHDORF)	8
3.1	TEST ENVIRONMENT	8
3.2	TEST EQUIPMENT	8
3.3	INPUT AND OUTPUT LOSSES	9
3.4	MEASUREMENT UNCERTAINTY	9
4	TEST SITE (BUREAU VERITAS CONSUMER PRODUCTS SERVICES)	9
5	RF POWER OUT: §90.635, §2.1046	10
5.1	LIMIT.....	10
5.2	TEST METHOD	11
5.3	TEST RESULTS.....	11
5.3.1	DOWNLINK.....	12
5.3.1.1	Analog.....	13
5.3.1.2	APCO Phase1 C4FM	13
5.3.1.3	APCO Phase2 H-DQPSK.....	14
5.3.2	UPLINK	14
5.4	SUMMARY TEST RESULT.....	14
6	OCCUPIED BANDWIDTH: §2.1049	15
6.1	LIMIT.....	15
6.2	TEST METHOD	15
6.3	TEST RESULTS	15
6.3.1	DOWNLINK.....	15
6.3.1.1	Analog.....	16
7	SPURIOUS EMISSIONS AT ANTENNA TERMINALS: §90.543, §2.1051.....	20
7.1	LIMIT.....	20
7.2	TEST METHOD	21
7.2.1	FCC CFR47	21
7.3	TEST RESULTS	22
7.3.1	DOWNLINK.....	22
7.3.1.4	Measurement in the band of 1559 MHz – 1610 MHz acc. to 90.543(f)	24
7.3.1.5	ACP measurement	24
8	INTERMODULATION : §90.543, §2.1051	27



8.1	LIMIT.....	27
8.2	TEST METHOD	27
8.2.1	FCC CFR47.....	27
8.3	TEST RESULTS	28
8.3.1	DOWNLINK	28
8.3.1.1	Analog < 1MHz to band edge.....	29
9	OUT OF BAND REJECTION	32
9.1	LIMIT.....	32
9.2	TEST METHOD	32
9.3	TEST RESULTS	32
9.3.1	DOWNLINK	33
9.3.2	UPLINK	33
9.4	SUMMARY TEST RESULT	33
10	NOISE.....	34
10.1	LIMIT	34
10.2	TEST METHOD.....	34
10.3	TEST RESULTS.....	35
10.3.1	DOWNLINK	35
10.3.2	UPLINK	35
10.4	SUMMARY TEST RESULT	36
11	RADIATED SPURIOUS EMISSIONS AT THE ECL (BUREAU VERITAS): §90.543, §2.1053.....	37
11.1	METHOD OF MEASUREMENT	40
11.2	LIMIT	41
11.3	CLIMATIC VALUES IN THE LAB	41
11.4	TEST RESULTS.....	42
11.4.1	30 MHZ TO 1 GHZ DOWNLINK (BOTTOM – MIDDLE – TOP) SUBPART H.....	42
11.4.3	30 MHZ TO 1 GHZ DOWNLINK (MIDDLE OF ALL PATHS)	43
11.4.4	1 GHZ TO 21 GHZ DOWNLINK (BOTTOM – MIDDLE – TOP) SUBPART H.....	44
11.4.6	1 GHZ TO 22 GHZ DOWNLINK (MIDDLE OF ALL PATHS).....	45
12	HISTORY	46



1 Test Results Summary

Name of Test	FCC Para. No.	FCC Method	FCC Spec.	Result
RF Power Output	90.219 90.541 90.635	2.1046	5 Watts ERP	Complies
Occupied Bandwidth	90.210	2.1049	Input/Output	Complies
Spurious Emissions at Antenna Terminals	90.543	2.1051	-13dBm	Complies
Intermodulation testing	90.219	KDB 935210 D02 v02 Annex D.3	-13dBm	Complies
Frequency Stability	90.539	2.1055	1 ppm	NA
Out of Band Rejection	KDB 935210 D02 v02	KDB 935210 D02 v02	KDB 935210 D02 v02	Complies
Noise	KDB 935210 D02 v02	KDB 935210 D02 v02	KDB 935210 D02 v02	Complies
Radiated Spurious emission	90.543	2.1053	-25dBm	Complies

Frequency stability is given by: The system gets an electrical analog signal from the BSS which is converted into an analog optical signal, transmitted by the optical links and then reconverted in the Remote Unit into an analog electrical signal. During this process happens no frequency change/modification, so input and output have same frequency what can be seen under capture "Occupied Bandwidth".



2 Equipment under test (E.U.T.)

2.1 Description

Kind of equipment	TFAH-ES70/80
Andrew ID-Nr.	Id. No. TFAH-ES70/80
Serial no.(SN)	10
Revision	00
Software version and ID	n. a.
Type of modulation and Designator	F3E (Voice) <input checked="" type="checkbox"/> C4FM (D7W) <input checked="" type="checkbox"/> H-DQPSK (D1W) <input checked="" type="checkbox"/>
Frequency Translation	F1-F1 <input checked="" type="checkbox"/> F1-F2 <input type="checkbox"/> N/A <input type="checkbox"/>
Band Selection	Software <input type="checkbox"/> Duplexer <input checked="" type="checkbox"/> Full band <input type="checkbox"/>

2.1.1 Downlink

Full pass band	758 MHz – 775 MHz
Pass band under test	769 MHz – 775 MHz
Max. composite output power based on one carrier (rated)	31 dBm = 1.26 W
Gain*	32 dB

*see 2.1.5

2.1.2 Uplink

Pass band	n. a.
Gain*	n. a.

*see 2.1.5

Note: The EUT does not transmit over the air in the uplink direction.

2.1.3 Description of EUT

TFAH-ES70/80 is a multi-band, multi-operator remote unit configuration used in conjunction with a master unit in the ION optical distribution system. This system transports up to two frequency bands simultaneously (700 MHz and 800MHz), providing a cost-effective solution for distributing capacity from one or more base stations.

This Test Report describes only the approval of the 700 MHz path (769 – 775 MHz)

2.1.4 Block diagram of measurement reference points

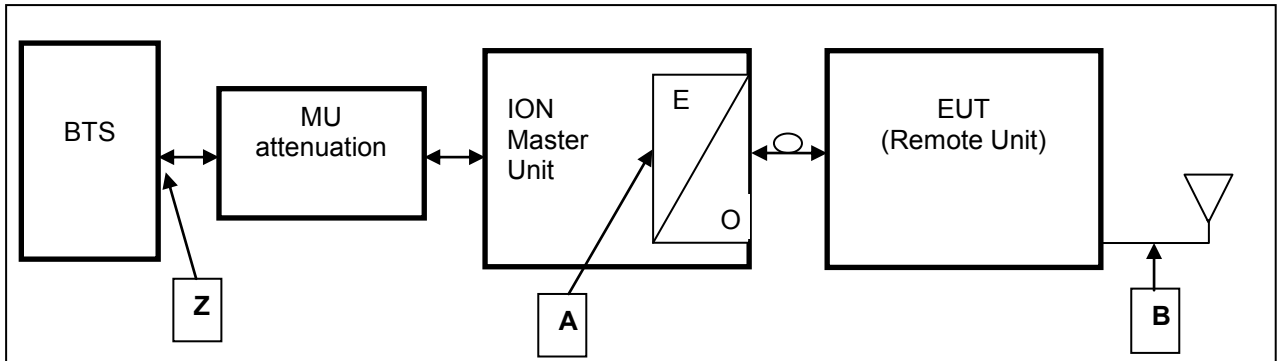


figure 2.1.4-#1 Block diagram of measurement reference points

Remote Unit is the EUT

O/E Optical / Electrical converter
 SRMU Sub Rack Master Unit

Reference point A SRMU UL output, DL input
 Reference point B Remote Unit DL output, UL input
 Reference point Z BTS DL output, UL input

Downlink: Measure from reference point B to A

Since a signal generator does not supply a good output signal with +33 or +43dBm, for the downlink measurement the MU Attenuation is not used.

That means for downlink measurements the signal generator is connected to measurement point A at the master optical / electrical converter and the analyzer to the measurement point B at the RU.

2.1.5 Downlink System Gain and Output Power

System optimized for BTS power	MU Attenuation (manual leveling)	Maximum rated input power at the MU OTRX	RU Gain	Maximum rated output power at RU Antenna port
Z		A	A to B	B
+33 dBm	34 dB	-1 dBm	+32 dB	+31.0 dBm @ 1 carrier
System Gain Z to B	-2 dB			
+43 dBm	44 dB	-1 dBm	+32 dB	+31.0 dBm @ 1 carrier
System Gain Z to B	-12 dB			

table 2.1.5-#1 Equipment under test (E.U.T.) Description Downlink System Gain and Output Power



3 Test site (Andrew Buchdorf)

3.1 Test environment

All tests were performed under the following environmental conditions:

Condition	Minimum value	Maximum value
Barometric pressure	86 kPa	106 kPa
Temperature	15°C	30°C
Relative Humidity	20 %	75 %
Power supply range	±5% of rated voltages	

3.2 Test equipment

ANDREW Inv. No.	Test equipment	Type	Manufacturer	Serial No.	Calibration
9102	Network Analyzer	ZVB14	R&S	100118	08/15
9054	Spectrum Analyzer	FSV13	R&S	100859	12/15
9233	Signal Generator	SMBV100A	R&S	257777	06/15
8849	Signal Generator	SMU200A	R&S	101732	04/16
8671	Power Meter	E4418B	Agilent	GB39513094	06/15
8672	Power Sensor	E9300H	Agilent	US41090179	06/15
7306	Circulator	C25E-1FFF	AEROTEK	12580	CIU
7307	Circulator	C25E-1FFF	AEROTEK	12581	CIU
7408	RF-Cable	2,0m; N-N	Andrew	---	CIU
7409	RF-Cable	2,0m; N-N	Andrew	---	CIU
7410	RF-Cable	1,0m; N-N	Andrew	---	CIU
7411	RF-Cable	2,0m; N-N	Andrew	---	CIU
7373	RF-Cable	Multiflex141	Andrew	---	CIU
7374	RF-Cable	Multiflex141	Andrew	---	CIU
7437	RF-Cable	Multiflex141	Andrew	---	CIU
7438	RF-Cable	Multiflex141	Andrew	---	CIU
7439	RF-Cable	Multiflex141	Andrew	---	CIU
7443	RF-Cable	Multiflex141	Andrew	---	CIU
7444	RF-Cable	Multiflex141	Andrew	---	CIU
7445	RF-Cable	Multiflex141	Andrew	---	CIU
7446	RF-Cable	Multiflex141	Andrew	---	CIU
7447	RF-Cable	Multiflex141	Andrew	---	CIU
7448	RF-Cable	Multiflex141	Andrew	---	CIU
7449	RF-Cable	Multiflex141	Andrew	---	CIU
7450	RF-Cable	Multiflex141	Andrew	---	CIU
7440	RF-Cable	RG-223 0.8m	Andrew	---	CIU
7441	RF-Cable	RG-223 0.8m	Andrew	---	CIU
7453	RF-Cable	RG223 2m SMA.	Andrew	---	CIU
7454	RF-Cable	RG223 2m SMA.	Andrew	---	CIU
7455	RF-Cable	RG223 2m SMA.	Andrew	---	CIU
7144	Attenuator	2N-20dB	Inmet 64671	---	CIU
7341	Power Attenuator	768-20	Narda	---	CIU
7368	Matrix		COMMSCOPE	---	weekly

CIU = Calibrate in use



3.3 Input and output losses

All recorded power levels should be referenced to the input and output connectors of the repeater, unless explicitly stated otherwise.

The test equipment used in this test has to be calibrated, so that the functionality is also checked.

All cables, attenuators, splitter, isolator, circulator and combiner etc. must be measured before testing and used for compensation during testing.

3.4 Measurement uncertainty

The extended measurement uncertainty corresponds to the measurement results from the standard measurement uncertainty multiplied by the coverage factor $k=2$. The true value is located in the corresponding interval with a probability of 95 %.

4 Test site (Bureau Veritas Consumer Products Services)

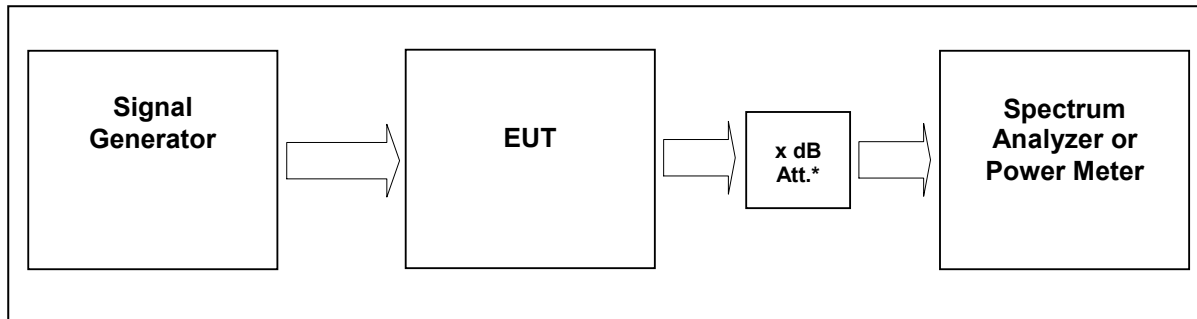
FCC Test site: **96997**

IC OATS: **IC3475A-1**

See relevant dates under section 10 of this test report.



5 RF Power Out: §90.635, §2.1046



External Attenuator x dB = 20 dB
 Figure 5-#1 Test setup: RF Power Out: §90.635, §2.1046

Measurement uncertainty	± 0,38 dB
Test equipment used	9054, 9233, 7444; 7306; 7144; 7454; 7453; 7341; 7449; 7368

5.1 Limit

Minimum standard:

90.219(d) Deployment rules. Deployment of signal boosters must be carried out in accordance with the rules in this paragraph.

(3) Signal boosters must be deployed such that the radiated power of the each retransmitted channel, on the forward link and on the reverse link, does not exceed 5 Watts effective radiated power (ERP).

(e) Device Specifications. In addition to the general rules for equipment certification in §90.203(a)(2) and part 2, subpart J of this chapter, a signal booster must also meet the rules in this paragraph.

(1) The output power capability of a signal booster must be designed for deployments providing a radiated power not exceeding 5 Watts ERP for each retransmitted channel.

§90.541 Transmitting power limits.

The transmitting power of base, mobile, portable and control stations operating in the 769-775 MHz and 799-805 MHz frequency bands must not exceed the maximum limits in this section, and must also comply with any applicable effective radiated power limits in §90.545.

(a) The transmitting power of base transmitters must not exceed the limits given in paragraphs (a), (b) and (c) of §90.635.

§ 90.635 Limitations on power and antenna height.

(a) The effective radiated power and antenna height for base stations may not exceed 1 kilowatt (30 dBw) and 304 m. (1,000 ft.) above average terrain (AAT), respectively, or the equivalent thereof as determined from the Table. These are maximum values, and applicants will be required to justify power levels and antenna heights requested.



5.2 Test method

§ 2.1046 Measurements required: RF power output.

(a) For transmitters other than single sideband, independent sideband and controlled carrier radiotelephone, power output shall be measured at the RF output terminals when the transmitter is adjusted in accordance with the tune-up procedure to give the values of current and voltage on the circuit elements specified in § 2.1033(c)(8). The electrical characteristics of the radio frequency load attached to the output terminals when this test is made shall be stated.

(c) For measurements conducted pursuant to paragraphs (a) and (b) of this section, all calculations and methods used by the applicant for determining carrier power or peak envelope power, as appropriate, on the basis of measured power in the radio frequency load attached to the transmitter output terminals shall be shown. Under the test conditions specified, no components of the emission spectrum shall exceed the limits specified in the applicable rule parts as necessary for meeting occupied bandwidth or emission limitations

5.3 Test Results

Detector RMS.

Test signal Analog:

FM signal with 3.0 kHz deviation and 2.5 kHz rate and sine waveform.

Test signal APCO Phase1 C4FM:

Modulation 4FSK, with 1.8 kHz deviation and 4.8 ksym/s symbol rate

Test signal APCO Phase2 H-DQPSK:

Modulation pi/4-DQPSK, 6 ksym/s symbol rate

According to ANSI C63.4 section 13.1 Table 5 for operating frequencies more than 10MHz: The test shall be performed at Bottom, Middle and Top frequencies.



5.3.1 Downlink

Modulation	Measured at		RBW VBW Span	RF Power [dBm]	RF Power [W]	Plot -
Analog	Middle	772 MHz	100kHz 300kHz 1,5MHz	31.0	1.26	5.3.1.1 #1
APCO Phase1 C4FM	Middle	772 MHz	100kHz 300kHz 1,5MHz	31.0	1.26	5.3.1.2 #1
APCO Phase2 H-DQPSK	Middle	772 MHz	100kHz 300kHz 1,5MHz	31.0	1.26	5.3.1.3 #1
Maximum output power = 31.0 dBm = 1.26 W						
Limit Maximum output power = 37 dBm = 5 W (erp)						

Table 5.3.1-#1 RF Power Out: §90.635, §2.1046 Test Results Downlink

The max RF Power out is 31 dBm, so the maximum antenna gain (x) can be calculated as follow:

Limit = 5 W (erp) = 37 dBm

$$37 \text{ dBm} > 31 \text{ dBm} + x \quad \text{----->} \quad x = 37 \text{ dBm} - 31 \text{ dBm} = \underline{6 \text{ dBd}}$$

$$x \text{ dBi} = 6 \text{ dBd} + 2.15 = \underline{8.15 \text{ dBi}}$$

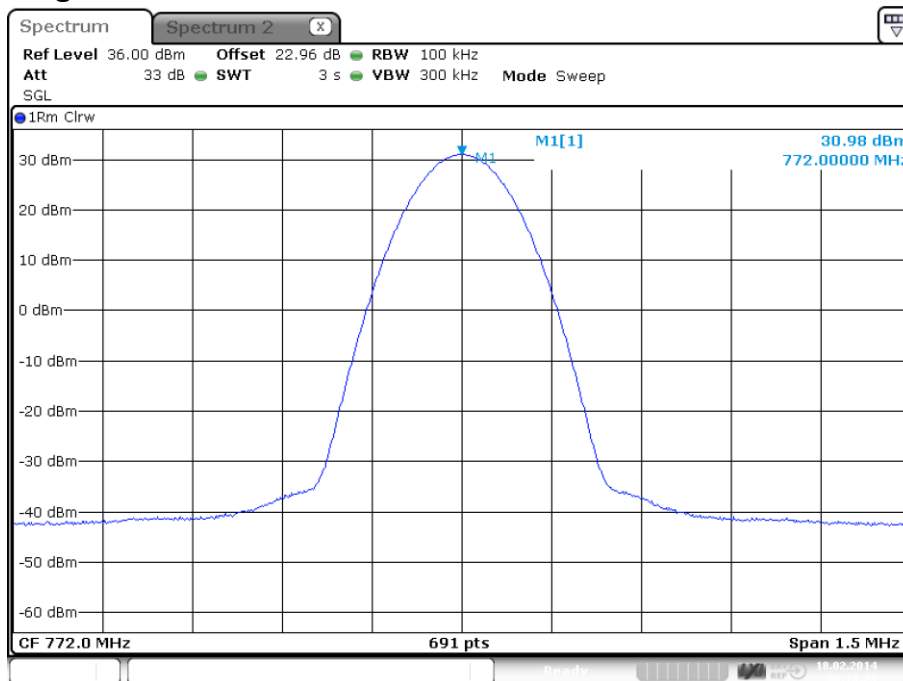
=> The antenna that will use for the complete system have to have a gain lower than 8.15 dBi, relative to a dipol.

Modulation	Pin / dBm (Ref. point A)
Analog	-2.0
APCO Phase1 C4FM	-2.8
APCO Phase2 H-DQPSK	-2.1

Table 5.3.1-#2 RF Power Out: §90.635, §2.1046 Test Results Downlink Input power

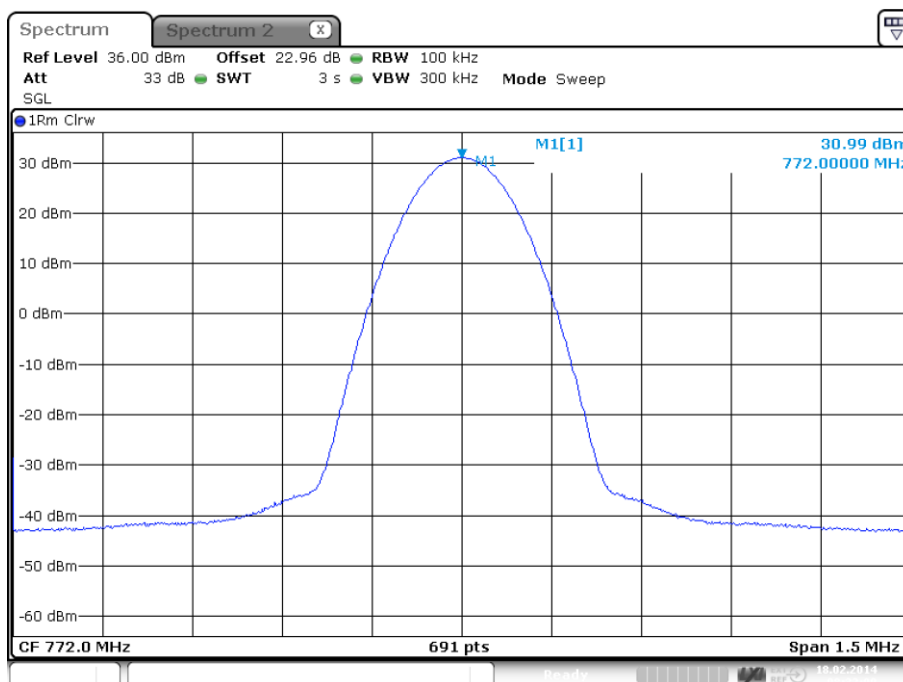


5.3.1.1 Analog



plot 5.3.1.1-#1 RF Power Out: §90.635, §2.1046; Test Results; Downlink; Analog

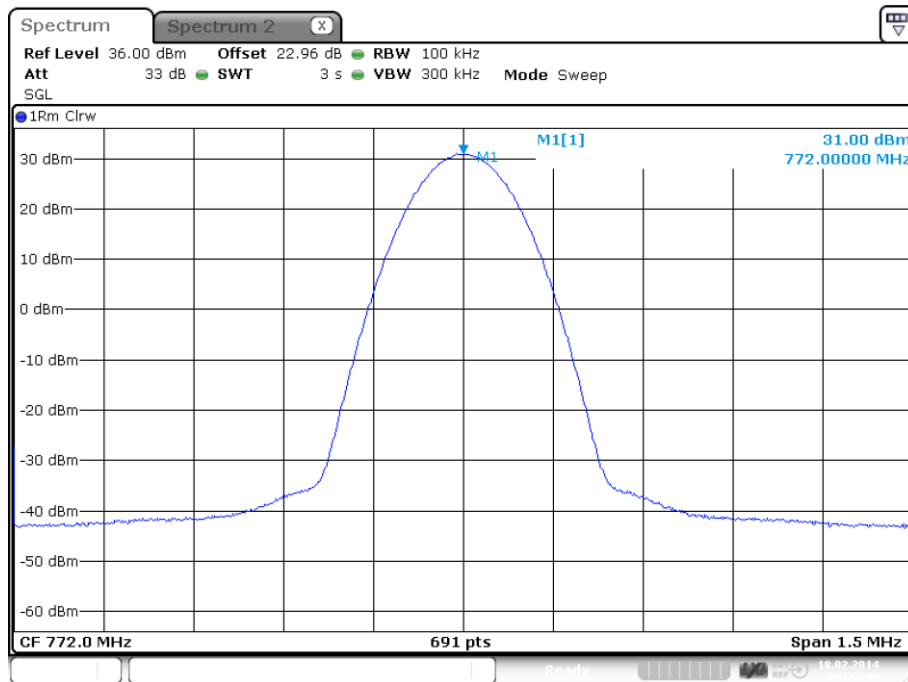
5.3.1.2 APCO Phase1 C4FM



plot 5.3.1.2-#1 RF Power Out: §90.635, §2.1046; Test Results; Downlink; APCO Phase1 C4FM



5.3.1.3 APCO Phase2 H-DQPSK



Date: 18.FEB.2014 08:27:40

plot 5.3.1.3-#1 RF Power Out: §90.635, §2.1046; Test Results; Downlink; APCO Phase2 H-DQPSK

5.3.2 Uplink

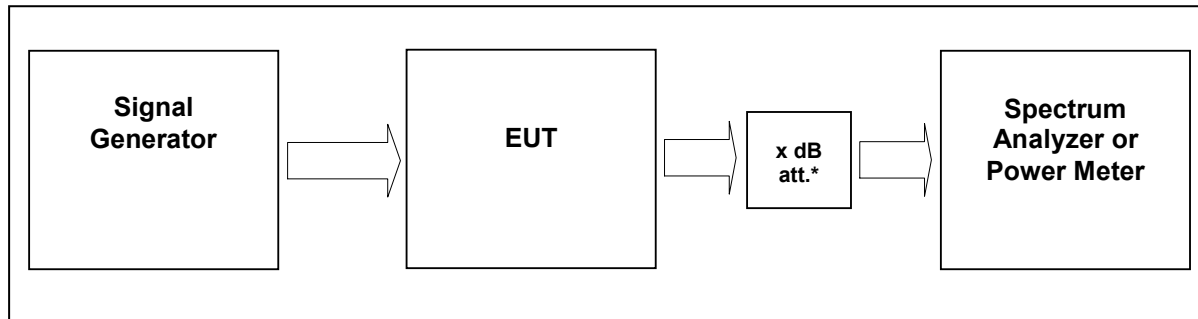
n.a.

Note: The EUT does not transmit over the air in the uplink direction.

5.4 Summary test result

Test result	complies, according the plots above
Tested by:	M. Leinfelder
Date:	18.02.2014

6 Occupied Bandwidth: §2.1049



External Attenuator x dB = 20 dB
Figure 6-#1 Test setup: Occupied Bandwidth: §2.1049

Measurement uncertainty	± 0,38 dB
Test equipment used	9054, 9052, 7366, 7367, 7299, 7280, 7363

6.1 Limit

The spectral shape of the output should look similar to input for all modulations.

6.2 Test method

Para. No.2.1049

The occupied bandwidth, that is the frequency bandwidth such that, below its lower and above its upper frequency limits, the mean powers radiated are each equal to 0.5 percent of the total mean power radiated by a given emission shall be measured under the following conditions as applicable:

6.3 Test results

6.3.1 Downlink

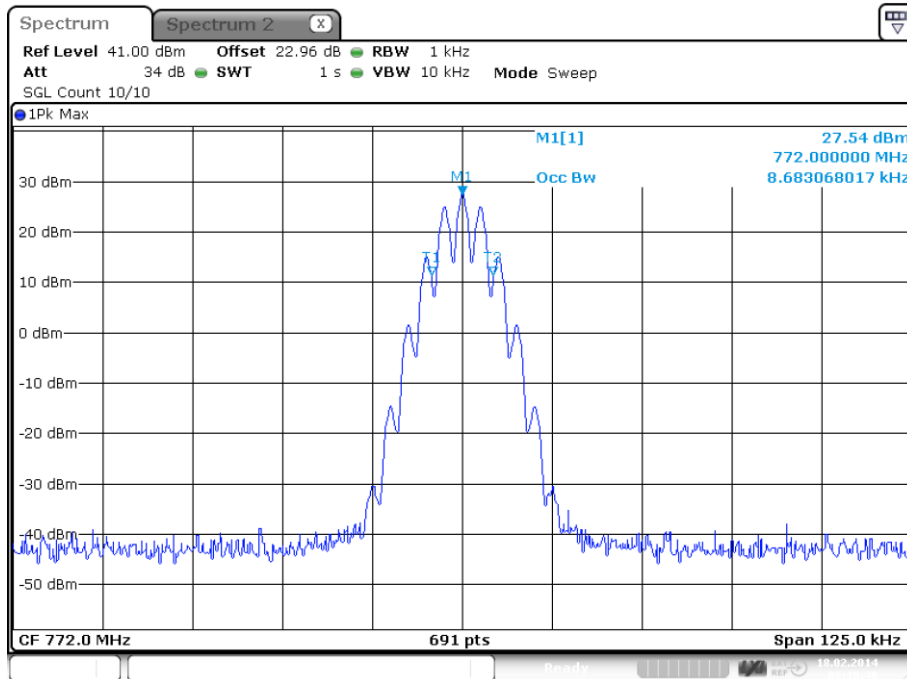
Detector peak

Modulation	Measured at		Channel bandwidth	RBW VBW Span	Occupied Bandwidth	Plot #
Analog	Middle	766.5 MHz	12.5 kHz	1 kHz 10 kHz 125 kHz	8.68 kHz	6.3.1.1 #1, #2
APCO Phase1 C4FM	Middle	766.5 MHz	12.5 kHz	1 kHz 10 kHz 125 kHz	6.69 kHz	6.3.1.2 #1, #2
APCO Phase2 H- DQPSK	Middle	766.5 MHz	12.5 kHz	1 kHz 10 kHz 125 kHz	7.96 kHz	6.3.1.3 #1, #2

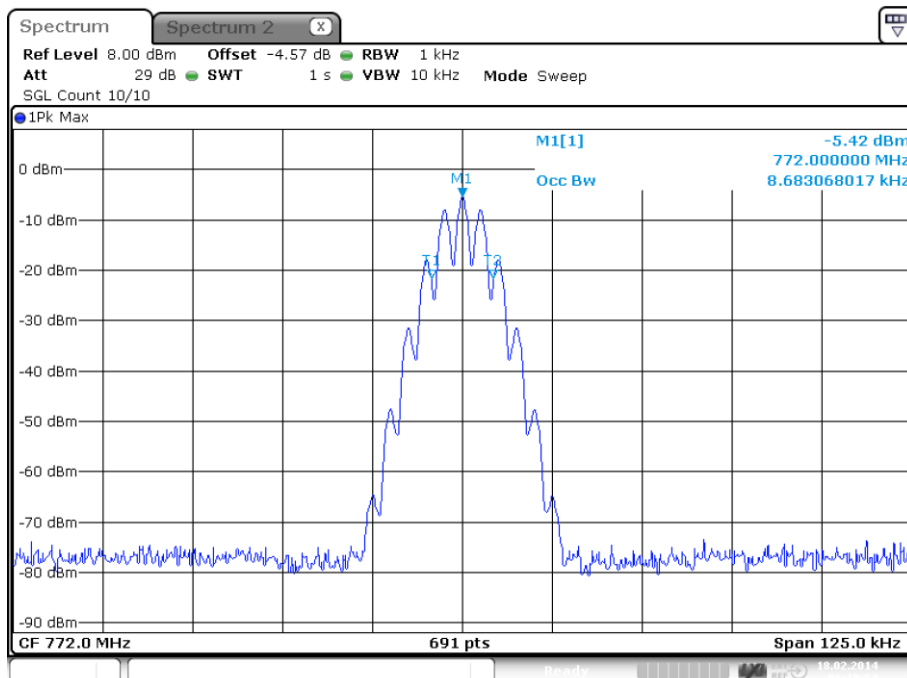
Table 6.3-#1 Occupied Bandwidth: §2.1049 Test results



6.3.1.1 Analog



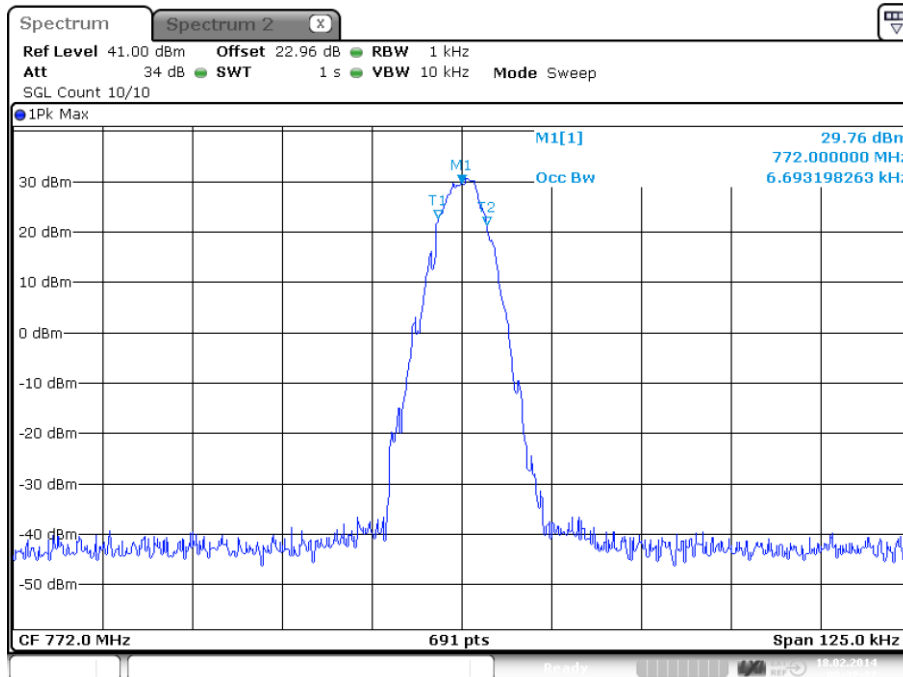
plot 6.3.1.1-#1 Occupied Bandwidth: §2.1049; Test results; Downlink; Analog Output



plot 6.3.1.1-#2 Occupied Bandwidth: §2.1049; Test results; Downlink; Analog Input

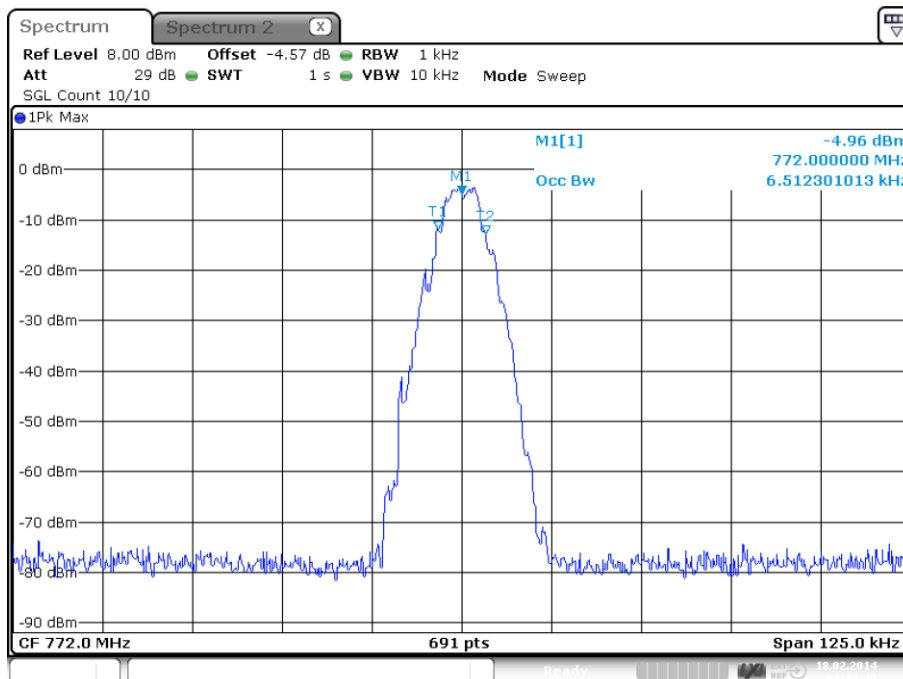


6.3.1.2 APCO Phase1 C4FM



Date: 18.FEB.2014 08:32:26

plot 6.3.1.1-#3 Occupied Bandwidth: §2.1049; Test results; Downlink; Analog Output

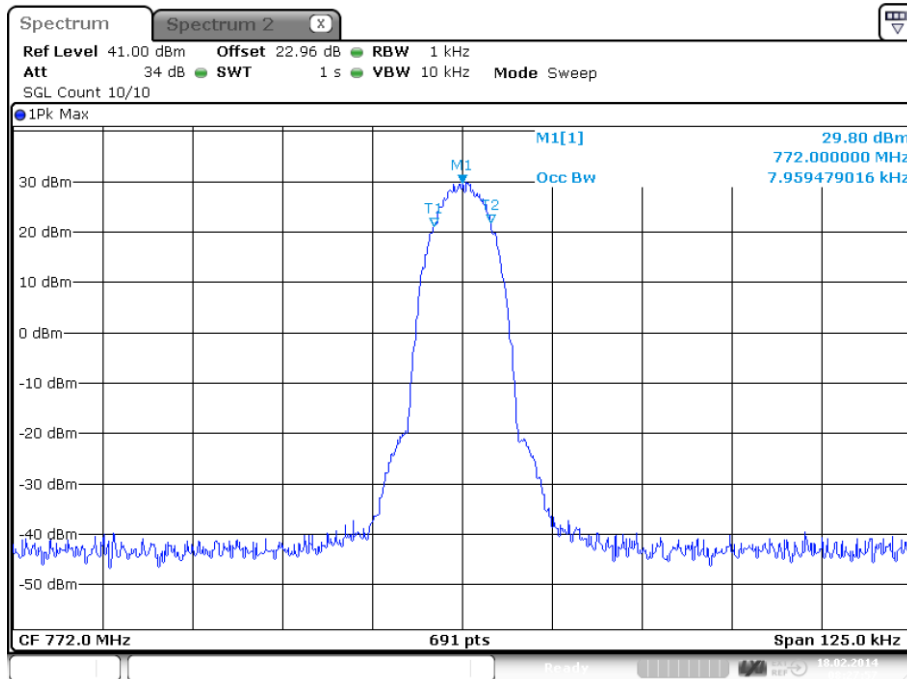


Date: 18.FEB.2014 08:32:40

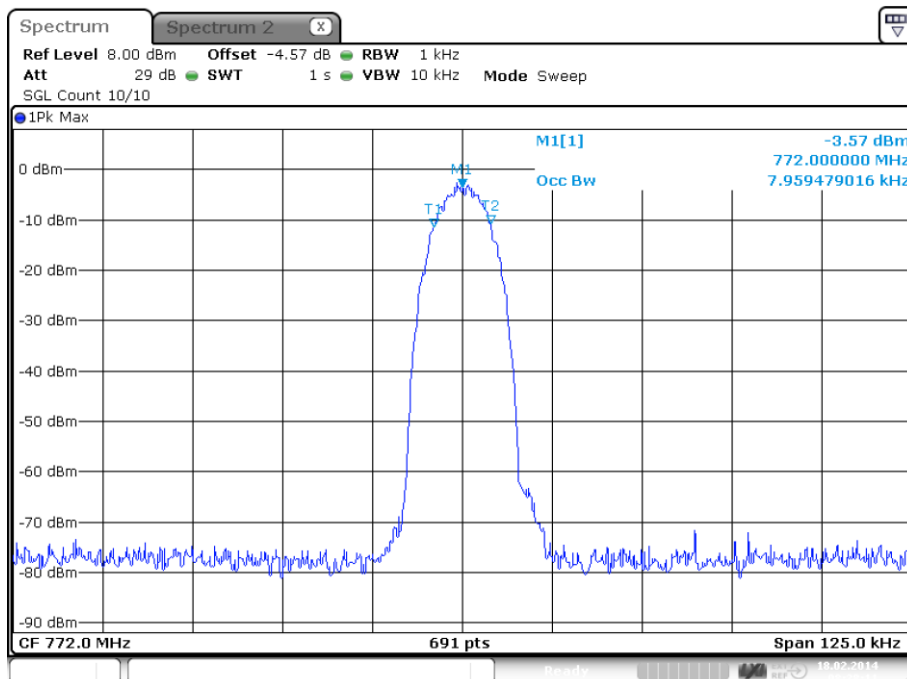
plot 6.3.1.1-#4 Occupied Bandwidth: §2.1049; Test results; Downlink; Analog Input



6.3.1.3 APCO Phase2 H-DQPSK



plot 6.3.1.1-#5 Occupied Bandwidth: §2.1049; Test results; Downlink; Analog Output



plot 6.3.1.1-#6 Occupied Bandwidth: §2.1049; Test results; Downlink; Analog Input



6.3.2 Uplink

n.a.

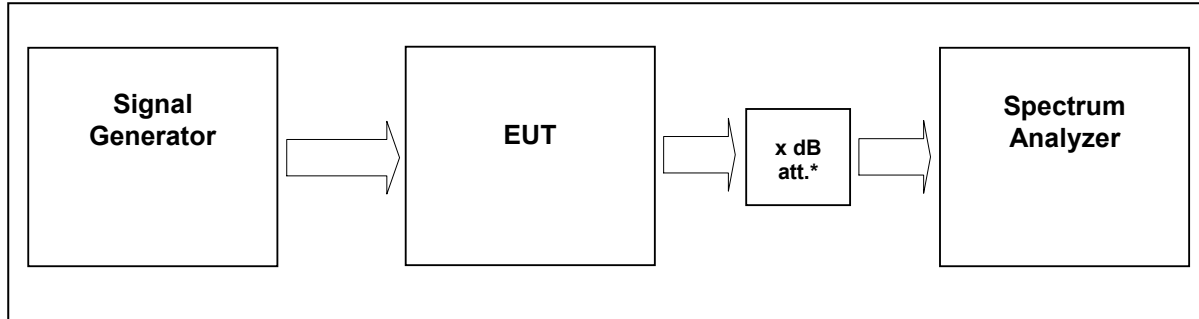
Note: The EUT does not transmit over the air in the uplink direction.

6.4 Summary test result

Test result	complies, according the plots above
Tested by:	M. Leinfelder
Date:	18.02.2014



7 Spurious Emissions at Antenna Terminals: §90.543, §2.1051



External Attenuator x dB = 20 dB

Figure 7-#1 Test setup: Spurious Emissions at Antenna Terminals: §90.543, §2.1051

Measurement uncertainty	± 0,54 dB ± 1,2 dB ± 1,5 dB	9 kHz to 3 GHz 3 GHz to 7 GHz 7 GHz to 26 GHz
Test equipment used	9054, 9233, 8849; 7444; 7443; 7306; 7307; 7144; 7454;7453; 7341; 7449; 7368	

7.1 Limit

§ 90.543 Emission limitations.

(c) Out-of-band emission limit. On any frequency outside of the frequency ranges covered by the ACP tables in this section, the power of any emission must be reduced below the mean output power (P) by at least 43 + 10log (P) dB measured in a 100 kHz bandwidth for frequencies less than 1 GHz, and in a 1 MHz bandwidth for frequencies greater than 1 GHz.

Limit -13dBm

12.5 kHz Base Transmitter ACP Requirements

Offset from center frequency (kHz)	Measurement bandwidth (kHz)	Maximum ACP (dBc)
9.375	6.25	-40
15.625	6.25	-60
21.875	6.25	-60
37.5	25	-60
62.5	25	-65
87.5	25	-65
150	100	-65
250	100	-65
350.00	100	-65
>400 kHz to 12 MHz	30 (s)	-80
12 MHz to paired receive band	30 (s)	-80
In the paired receive band	30 (s)	¹ -85

¹Although we permit individual base transmitters to radiate a maximum ACP of -85 dBc in the paired receive band, licensees deploying these transmitters may not exceed an ACP of -100 dBc in the paired receive band when measured at either the transmitting antenna input port or the output of the transmitter combining network. Consequently, licensees deploying these transmitters may need to use external filters to comply with the more restrictive ACP limit.



(f) For operations in the 758-775 MHz and 788-805 MHz bands, all emissions including harmonics in the band 1559-1610 MHz shall be limited to -70 dBW/MHz equivalent isotropically radiated power (EIRP) for wideband signals, and -80 dBW EIRP for discrete emissions of less than 700 Hz bandwidth. For the purpose of equipment authorization, a transmitter shall be tested with an antenna that is representative of the type that will be used with the equipment in normal operation.

Calculation of the limit according to §90.542 (f):

On all frequencies between 1559-1610 MHz, shall be limited to -70 dBW/MHz

$$-70 \text{ dBW/MHz} = -40 \text{ dBm/MHz}$$

maximum measured emission level for frequencies between 1559-1610 MHz is below -60 dBm / 1MHz.

Test passed.

Considerations to §90.543 (f):

To see if the standard 90.543(f) were met a calculation of the radiated power is necessary. The modulated carrier in the range of 758-768 MHz is working with maximum power and the frequency range of 1559-1610MHz is measured. For the calculation of the radiated power in this band, it was calculated with a typical antenna gain and typical cable loss.

Used 700 MHz narrow band antennas offer a gain of 0 dBi in the in the frequency range 1559 - 1610 MHz, furthermore an antenna cable with a loss of 2 dB is used.

The measured conducted emissions in the frequency range of 1599 - 1610 MHz are below -60 dBm/MHz (see at plot 7.3.1.4).

Conducted emissions (<-60 dBm) + antenna gain (0 dBi) - cable loss (0 dB) = radiated emissions (<-60 dBm) which is below the limit of Part 90.543(f).

Even with an antenna gain of 19 dBi (more than worst case) in the frequency range of 1599 - 1610 MHz, we are still under the limit of Part 90.543(f) with a radiated emission of -41 dBm.

Therefore the emission limit is met.

Test passed.

Plots with test result see

7.3.1.4 Measurement in the band of 1559 MHz – 1610 MHz

7.2 Test method

7.2.1 FCC CFR47

Para. No 2.1051 Measurements required: Spurious emissions at antenna terminals.

The radio frequency voltage or powers generated within the equipment and appearing on a spurious frequency shall be checked at the equipment output terminals when properly loaded with a suitable artificial antenna. Curves or equivalent data shall show the magnitude of each harmonic and other spurious emission that can be detected when the equipment is operated under the conditions specified in § 2.1049 as appropriate. The magnitude of spurious emissions which are attenuated more than 20 dB below the permissible value need not be specified.

[39 FR 5919, Feb. 15, 1974. Redesigned and amended at 63 FR 36599, July 7, 1998]



7.3 Test results

7.3.1 Downlink

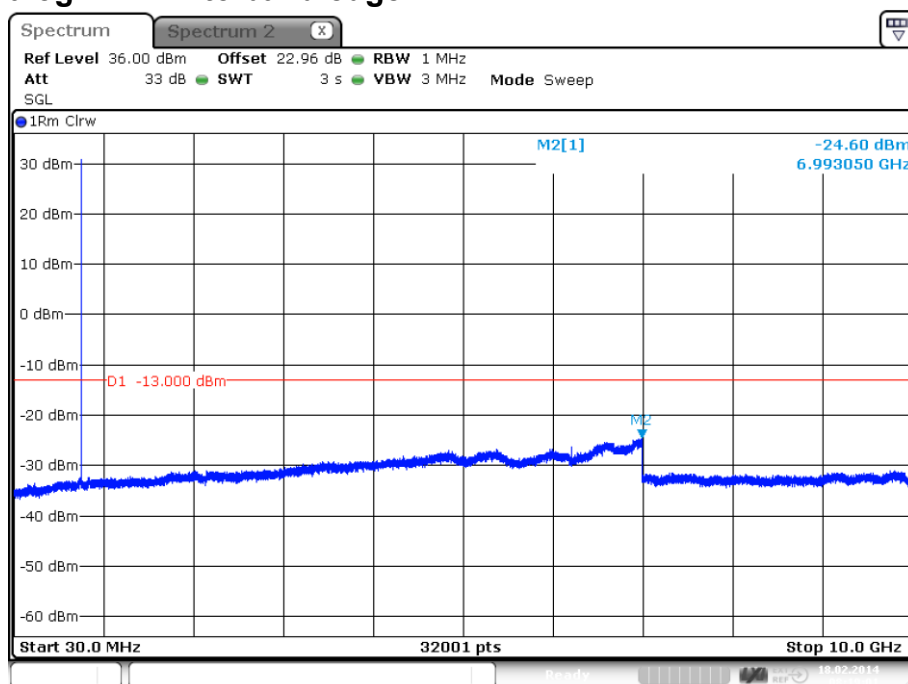
>1MHz from Band Edge

Detector: RMS

Modulation	Carrier	RBW VBW Span	Max. level (dBm)	Plot
Analog	772.0 MHz	1MHz 3MHz 30MHz – 10GHz	-24.6	7.3.1.1 #1
APCO Phase1 C4FM	772.0 MHz	1MHz 3MHz 30MHz – 10GHz	-24.5	7.3.1.2 #1
APCO Phase2 H- DQPSK	772.0 MHz	1MHz 3MHz 30MHz – 10GHz	-24.5	7.3.1.3 #1

Table 7.3-#1 Spurious Emissions at Antenna Terminals: §90.543, §2.1051 Test results >1MHz from Band Edge

7.3.1.1 Analog > 1MHz to band edge

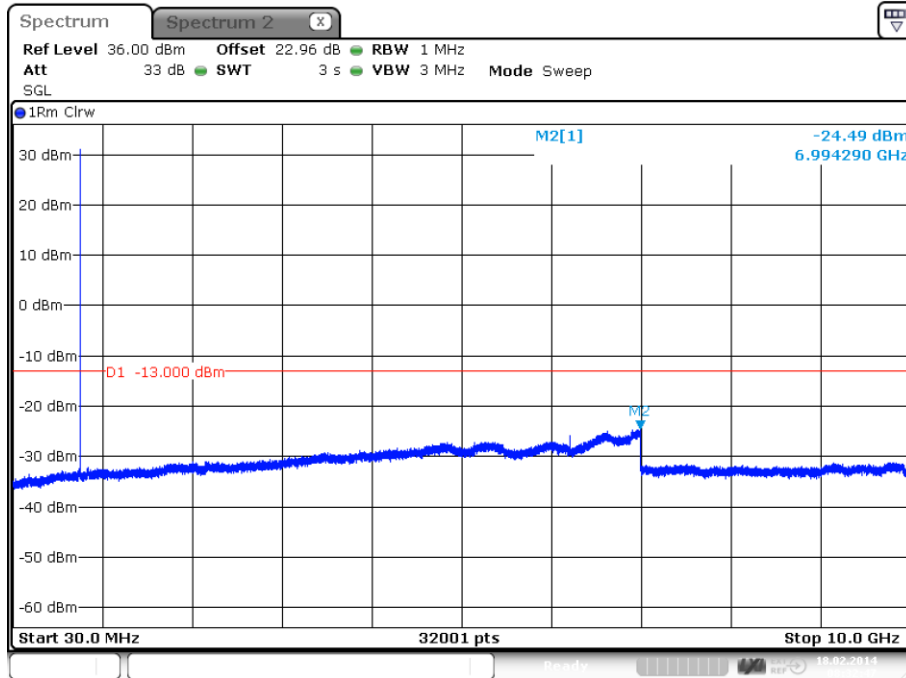


Date: 18.FEB.2014 08:19:01

plot 6.3.1.1-#1 Spurious Emissions at Antenna Terminals: §90.543, §2.1051; Test results; Downlink; Analog



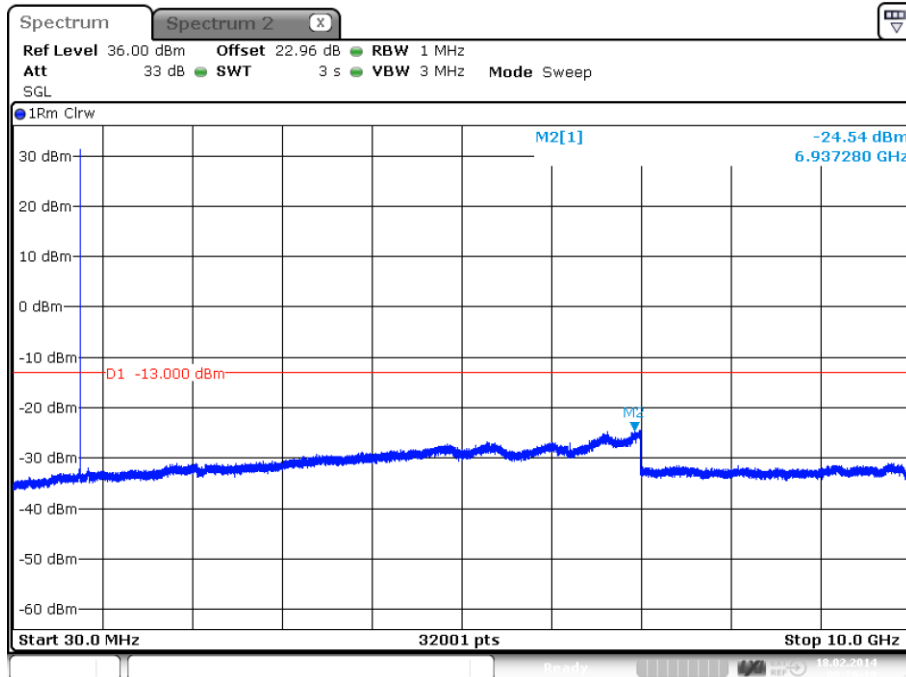
7.3.1.2 APCO Phase1 C4FM > 1MHz to band edge



Date: 18.FEB.2014 08:32:46

plot 6.3.1.1-#2 Spurious Emissions at Antenna Terminals: §90.543, §2.1051; Test results; Downlink; Analog

7.3.1.3 APCO Phase2 H-DQPSK > 1MHz to band edge



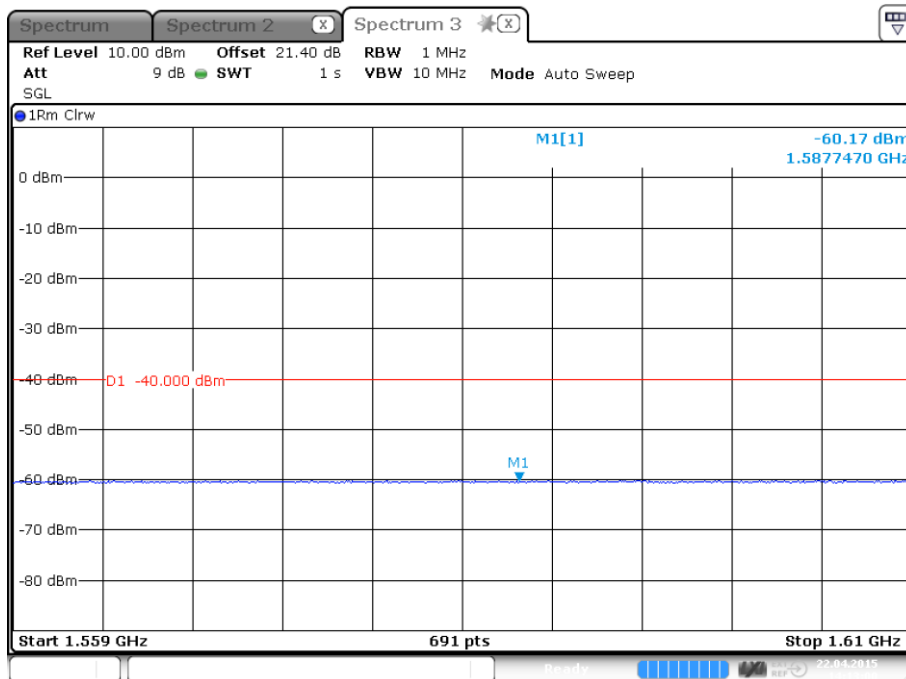
Date: 18.FEB.2014 08:28:17

plot 6.3.1.1-#3 Spurious Emissions at Antenna Terminals: §90.543, §2.1051; Test results; Downlink; Analog



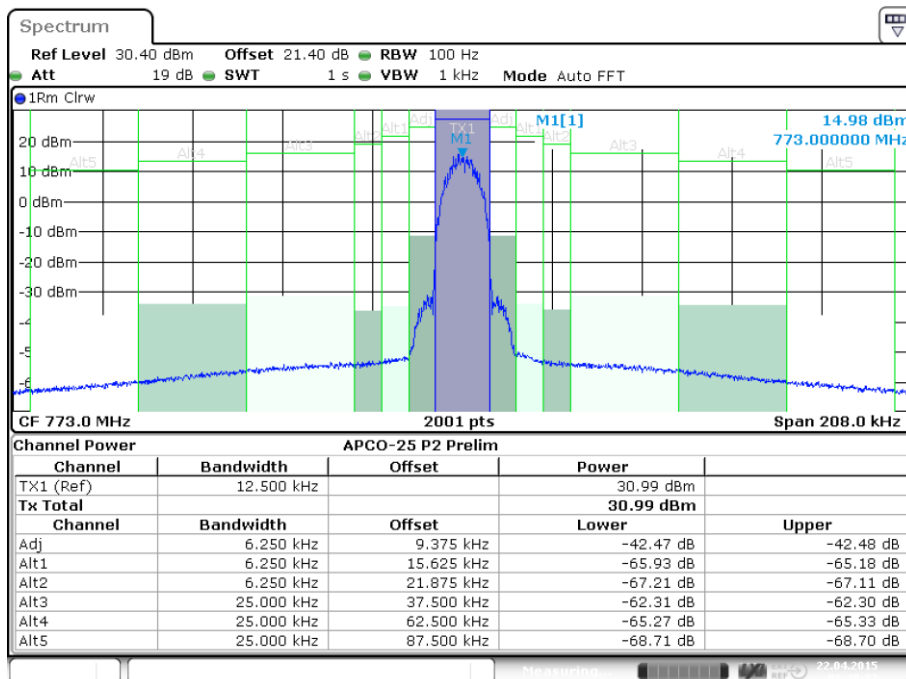
7.3.1.4 Measurement in the band of 1559 MHz – 1610 MHz acc. to 90.543(f)

Calculation see 7.1 Limit



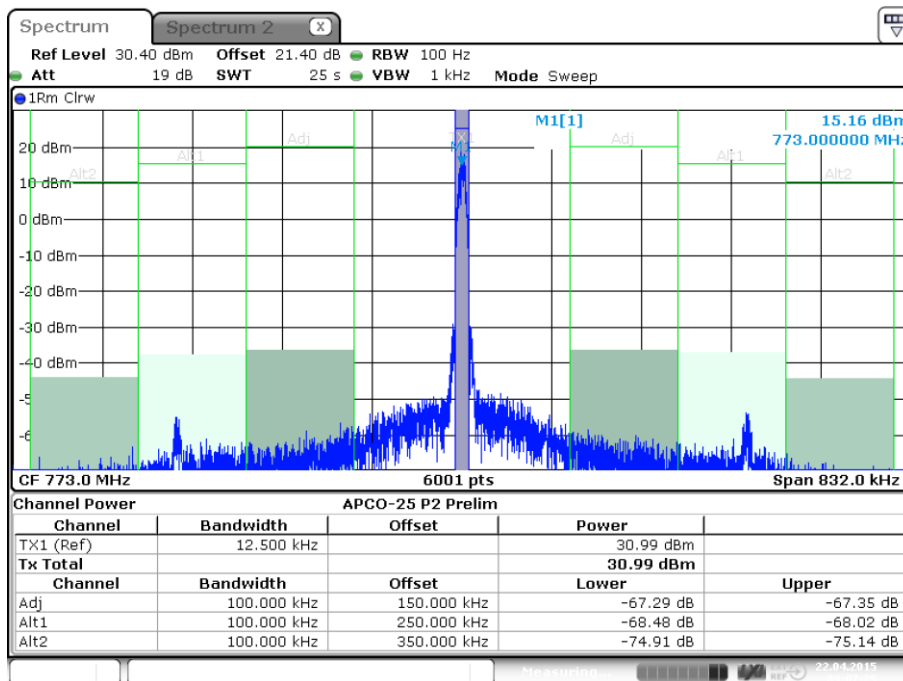
plot 7.3.1.4-#1 Spurious Emissions at Antenna Terminals: §90.543, §2.1051; Test results; Downlink; Measurement in the band of 1559 MHz – 1610 MHz acc. to 90.543(f)

7.3.1.5 ACP measurement



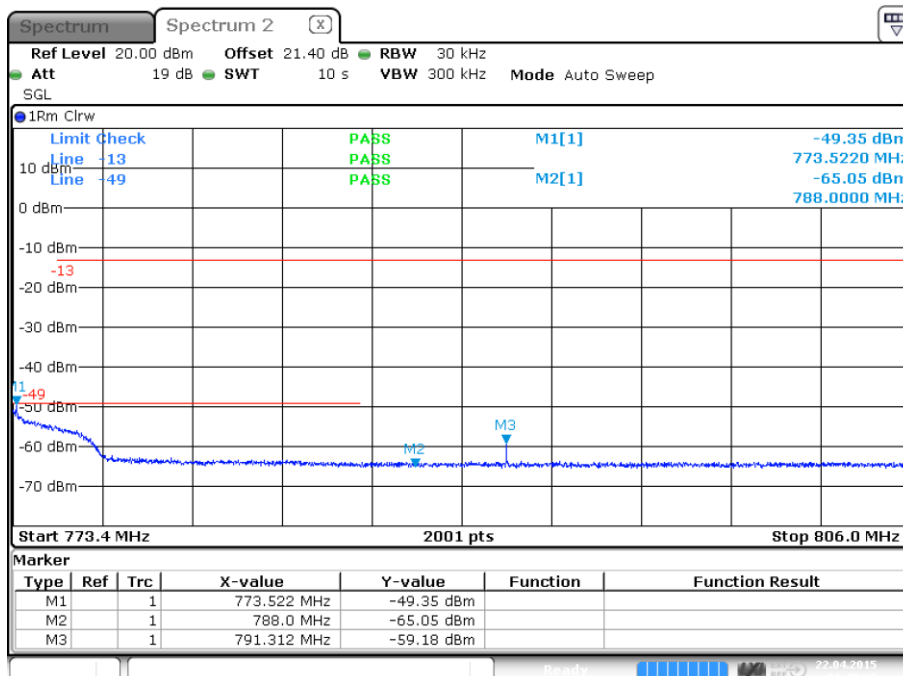
Date: 22.APR.2015 08:40:22

plot 7.3.1.5-#1 Spurious Emissions at Antenna Terminals: §90.543, §2.1051; Test results; Downlink; ACP measurement



Date: 22.APR.2015 09:07:25

plot 7.3.1.5-#2 Spurious Emissions at Antenna Terminals: §90.543, §2.1051; Test results; Downlink; ACP measurement



Date: 22.APR.2015 11:49:27

plot 7.3.1.5-#3 Spurious Emissions at Antenna Terminals: §90.543, §2.1051; Test results; Downlink; ACP measurement



7.3.2 Uplink

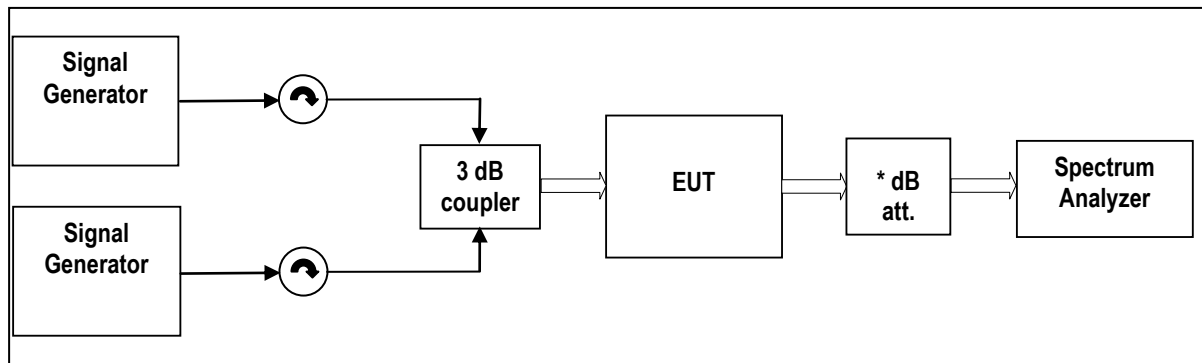
n.a.

Note: The EUT does not transmit over the air in the uplink direction.

7.4 Summary test result

Test result	complies, according the plots above
Tested by:	M. Leinfelder
Date:	22.04.2015

8 Intermodulation : §90.543, §2.1051



External Attenuator x dB = 20 dB

Figure 8-#1 Test setup: Intermodulation : §90.543, §2.1051

Measurement uncertainty	± 0,54 dB ± 1,2 dB ± 1,5 dB	9 kHz to 3 GHz 3 GHz to 7 GHz 7 GHz to 26 GHz
Test equipment used	9054, 9233, 8849; 7444; 7443; 7306; 7307; 7144; 7454; 7453; 7341; 7449; 7368	

8.1 Limit

§ 90.543 Emission limitations.

(c) Out-of-band emission limit. On any frequency outside of the frequency ranges covered by the ACP tables in this section, the power of any emission must be reduced below the mean output power (P) by at least $43 + 10\log(P)$ dB measured in a 100 kHz bandwidth for frequencies less than 1 GHz, and in a 1 MHz bandwidth for frequencies greater than 1 GHz.

Limit -13dBm

8.2 Test method

8.2.1 FCC CFR47

Para. No 2.1051 Measurements required: Spurious emissions at antenna terminals.

The radio frequency voltage or powers generated within the equipment and appearing on a spurious frequency shall be checked at the equipment output terminals when properly loaded with a suitable artificial antenna. Curves or equivalent data shall show the magnitude of each harmonic and other spurious emission that can be detected when the equipment is operated under the conditions specified in § 2.1049 as appropriate. The magnitude of spurious emissions which are attenuated more than 20 dB below the permissible value need not be specified.

[39 FR 5919, Feb. 15, 1974. Redesignated and amended at 63 FR 36599, July 7, 1998]



8.3 Test results

8.3.1 Downlink

<1MHz from Band Edge

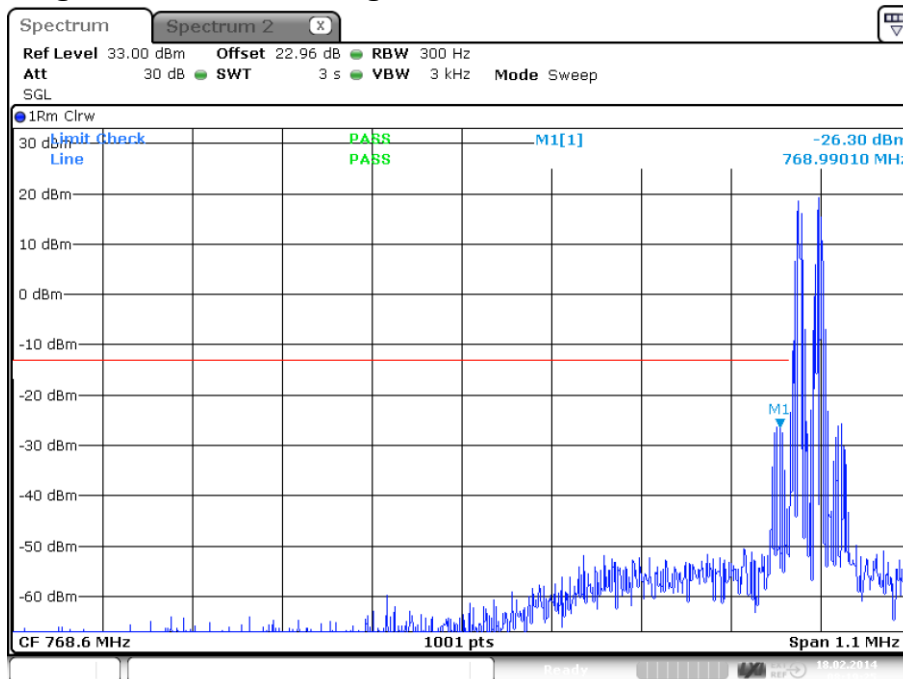
Detector: RMS

Modulation	Measured at Band Edge	Carriers	RBW VBW Span Sweep points	Max. level (dBm)	Plot
Analog	Lower Edge	769.0125 MHz 769.0375 MHz	300 Hz 3 kHz 1.1 MHz 10001 points	-21.0	8.3.1.1 #1
	Upper Edge	774.9625 MHz 774.9875 MHz			8.3.1.2 #2
APCO Phase1 C4FM	Lower Edge	769.0125 MHz 769.0375 MHz	300 Hz 3 kHz 1.1 MHz 10001 points	-22.6	8.3.1.2 #1
	Upper Edge	774.9625 MHz 774.9875 MHz			8.3.1.2 #2
APCO Phase2 H-DQPSK	Lower Edge	769.0125 MHz 769.0375 MHz	300 Hz 3 kHz 1.1 MHz 10001 points	-20.3	8.3.1.3 #1
	Upper Edge	774.9625 MHz 774.9875 MHz			8.3.1.3 #2

Table 8.3-#1 Intermodulation : §90.543, §2.1051 Test results <1MHz from Band

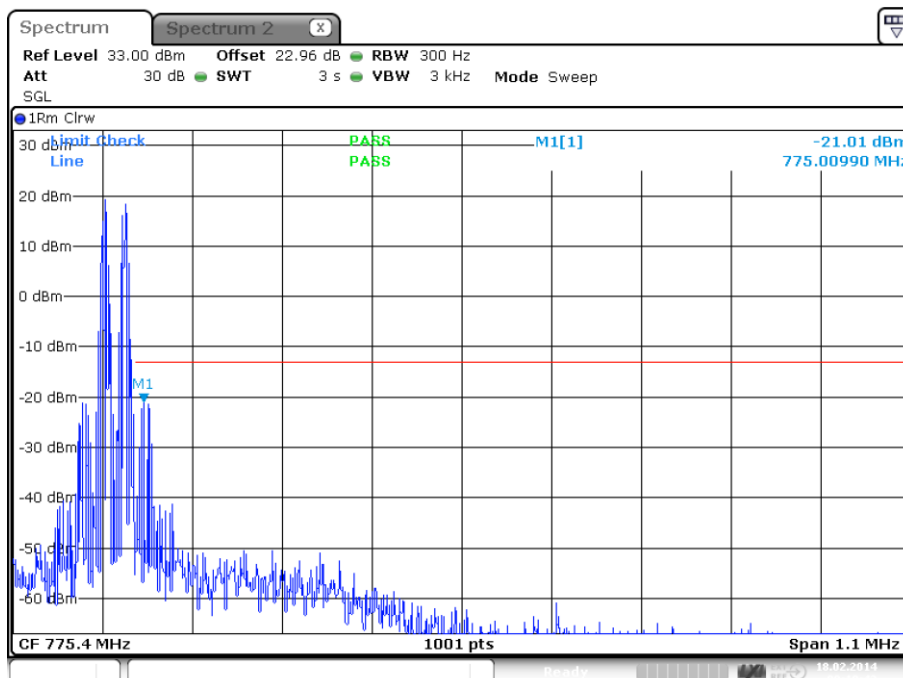


8.3.1.1 Analog < 1MHz to band edge



Date: 18.FEB.2014 08:19:25

plot 8.3.1.1-#1 Intermodulation : §90.543, §2.1051; Test results; Downlink; Analog < 1MHz to band edge; Lower Band Edge

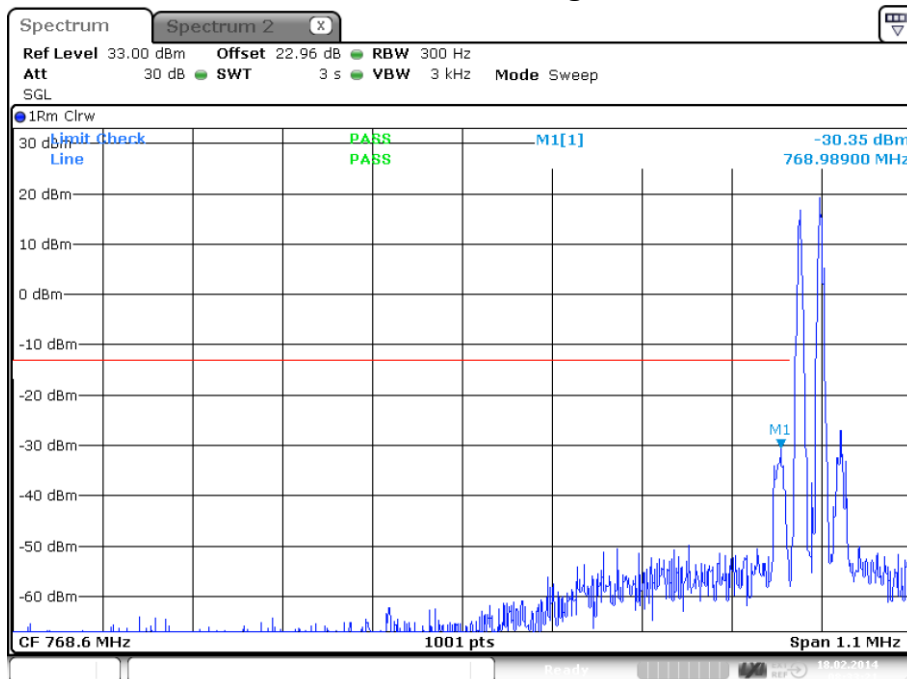


Date: 18.FEB.2014 08:19:42

plot 8.3.1.1-#2 Intermodulation : §90.543, §2.1051; Test results; Downlink; Analog < 1MHz to band edge; Upper Band Edge

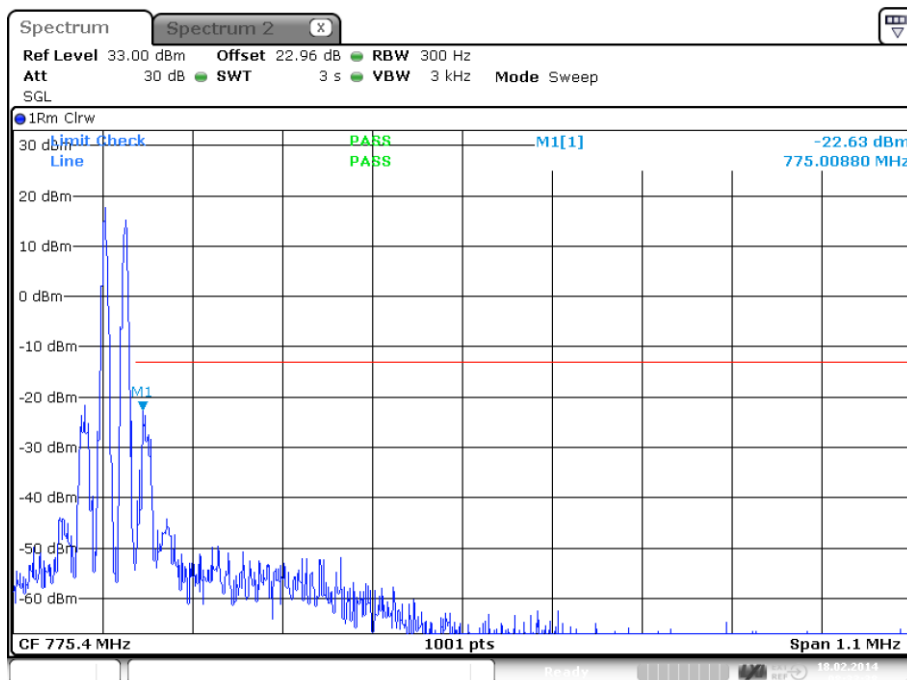


8.3.1.2 APCO Phase1 C4FM < 1MHz to band edge



Date: 18.FEB.2014 08:33:21

plot 8.3.1.1-#3 Intermodulation : §90.543, §2.1051; Test results; Downlink; Analog < 1MHz to band edge; Lower Band Edge

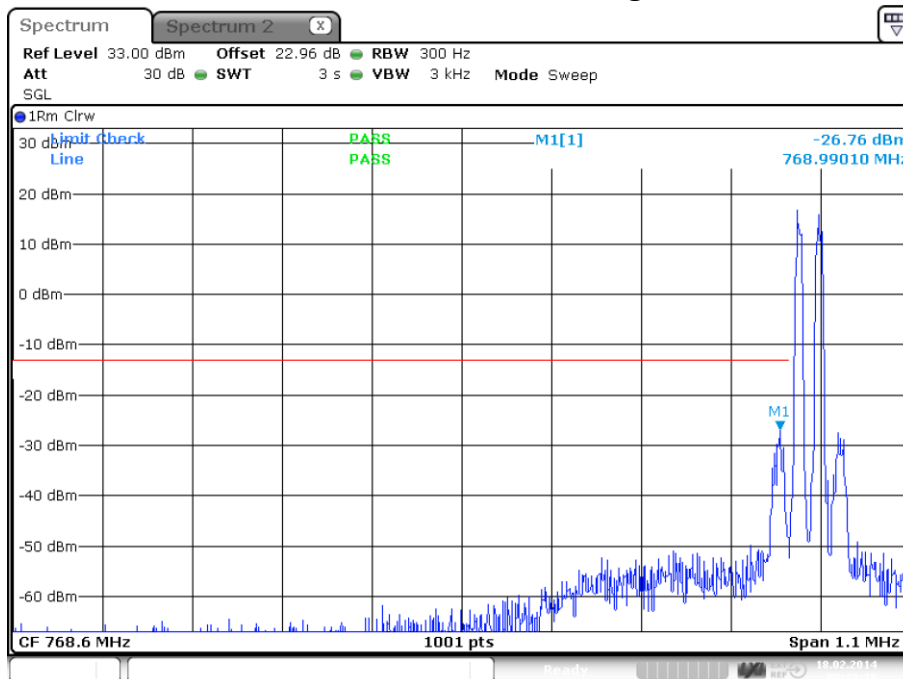


Date: 18.FEB.2014 08:33:38

plot 8.3.1.1-#4 Intermodulation : §90.543, §2.1051; Test results; Downlink; Analog < 1MHz to band edge; Upper Band Edge

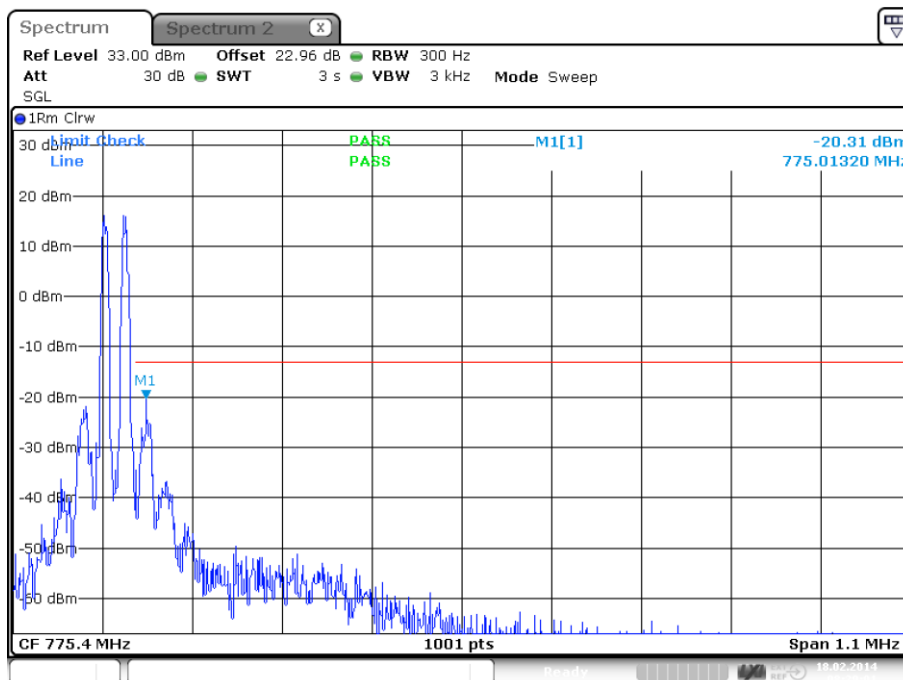


8.3.1.3 APCO Phase2 H-DQPSK < 1MHz to band edge



Date: 18.FEB.2014 08:28:37

plot 8.3.1.1-#5 Intermodulation : §90.543, §2.1051; Test results; Downlink; Analog < 1MHz to band edge; Lower Band Edge

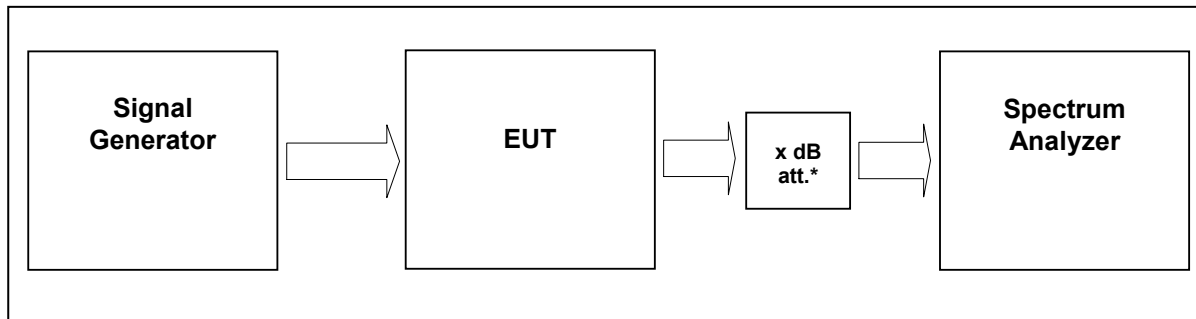


Date: 18.FEB.2014 08:29:01

plot 8.3.1.1-#6 Intermodulation : §90.543, §2.1051; Test results; Downlink; Analog < 1MHz to band edge; Upper Band Edge



9 Out of Band Rejection



External Attenuator DL x dB = 20 dB
figure 9-#1 Test setup: Out of Band Rejection

Measurement uncertainty	± 0,38 dB
Test equipment used	9054, 9233, 7444; 7306; 7144; 7454; 7453; 7341; 7449

9.1 Limit

KDB 935210 D02 v02

Clause: D.3 POLICIES AND PROCEDURES;

Subclause:

(I) Out of Band Rejection – Test for rejection of out of band signals. Filter frequency response plots are acceptable.

9.2 Test method

KDB 935210 D02 v02

Clause: D.3 POLICIES AND PROCEDURES;

Subclause:

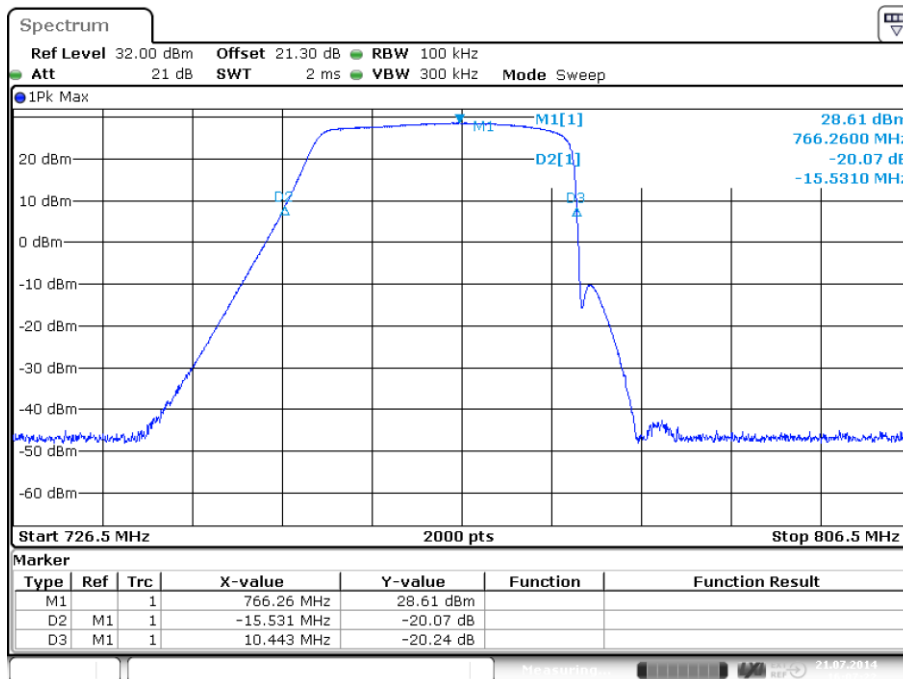
(I) Out of Band Rejection – Test for rejection of out of band signals. Filter frequency response plots are acceptable.

9.3 Test results

Detector Peak max hold



9.3.1 Downlink



plot 9.3.1-#1 Out of Band Rejection; Test results; Downlink;

9.3.2 Uplink

n.a.

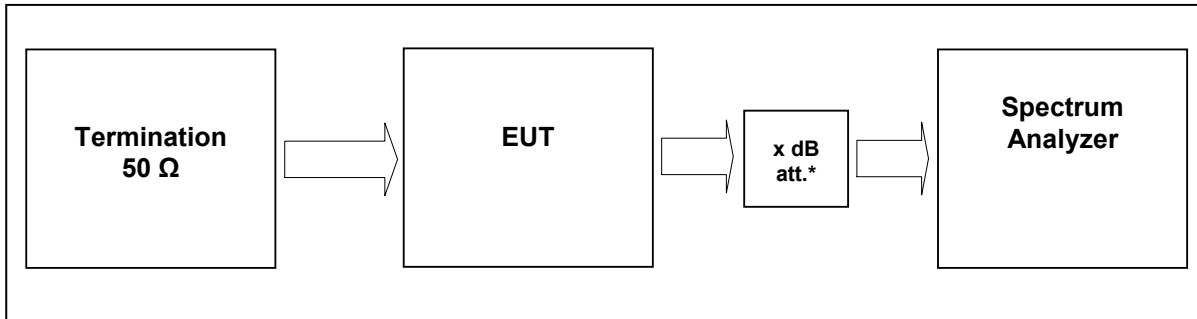
Note: The EUT does not transmit over the air in the uplink direction.

9.4 Summary test result

Test result	complies, according the plots above
Tested by:	M. Leinfelder
Date:	21.07.2014



10 Noise



External Attenuator DL x dB = 0 dB
figure 10-#1 Test setup: Noise

Measurement uncertainty	± 0,38 dB
Test equipment used	9054, 7144; 7454; 7453; 7449;

10.1 Limit

§90.219 (d) (6) (ii) In general, the ERP of noise within the passband should not exceed -43 dBm in 10 kHz measurement bandwidth.

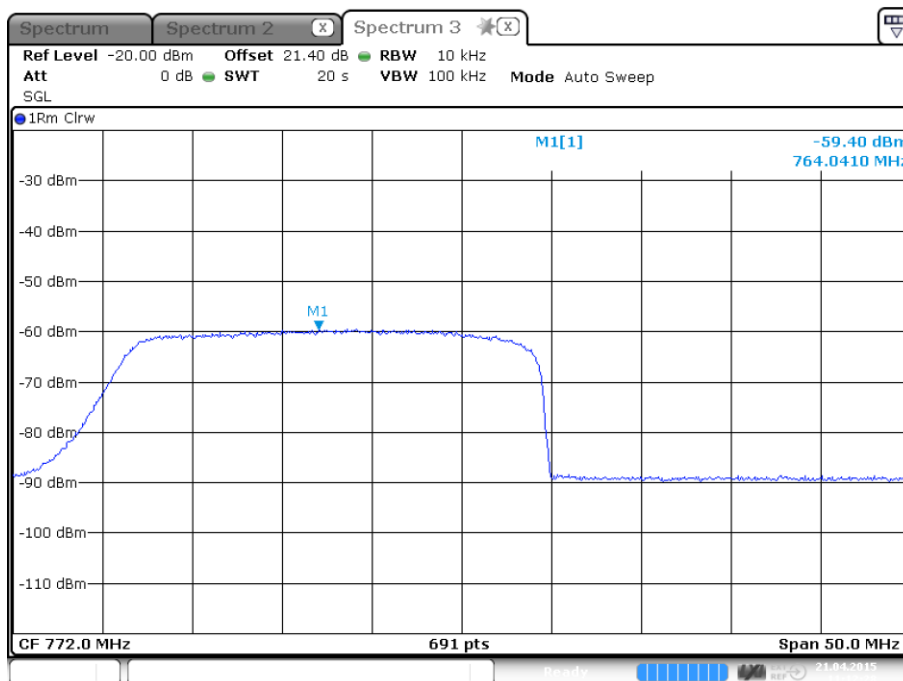
10.2 Test method

KDB 935210 D03 v02r01 7.7



10.3 Test results

10.3.1 Downlink



Date: 21.APR.2015 11:12:28

plot 9-#1 Noise

10.3.2 Uplink

n.a.

Note: The EUT does not transmit over the air in the uplink direction.



10.4 Summary test result

Test result	complies, according the plots above
Tested by:	M. Leinfelder
Date:	21.04.2015

The noise figure limit of 9 dB is passed, because of the following reasons:

- The noise power at the output of a RF 2-port is dependent on noise figure NF and gain G; i.e a high NF does not mean necessarily high noise power at the output;
- FCC limits the noise figure NF of a signal booster to max. 9 dB (also in DL)
- FCC defines: “signal boosters” as all manners of amplifiers, repeaters, boosters, *distributed antenna systems* and in-building radiation that serve to amplify signals between a device and a wireless network “;
- Noise figure NF is a useful and common manner for the characterization of a noisy RF 2-port;
- The DUT (DAS) uses also an optical medium (fiber) for signal transport (i.e. not solely RF lines / waveguides); after the photodiode we clearly have a RF 2-port (output photodiode to output remote unit);
 → The DUT is **attenuating** till the position right after the photodiode; only from the position right after the photodiode to the output of the remote
 the DUT is **amplifying** (this chain of RF components is the only complete and cohesive chain with predominantly amplifying stages (including the output port) (output port shall be included, since noise power at the output is of interest));
 → above mentioned FCC definition of signal boosters (“serve to amplify signals”) + definition of “noise figure” for RF 2-ports entail to set the reference planes for determining

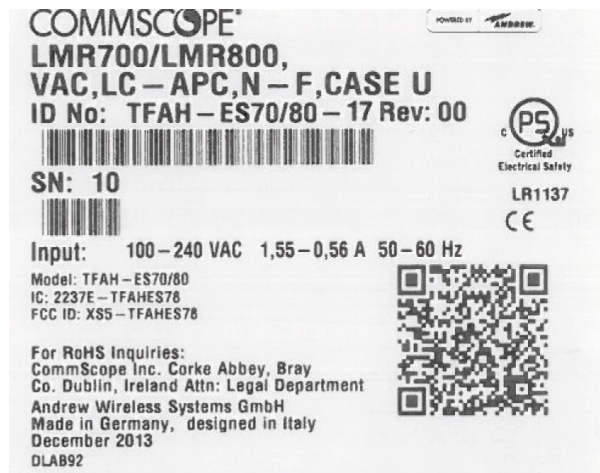
NF of the DL at the position right after the photodiode and the output of the remote unit;
 This means that NF of the DUT in DL has to be determined between these two reference planes (NF of the amplification stages between output of the photodiode and output of the remote unit);

This noise figure is significantly below 9 dB!

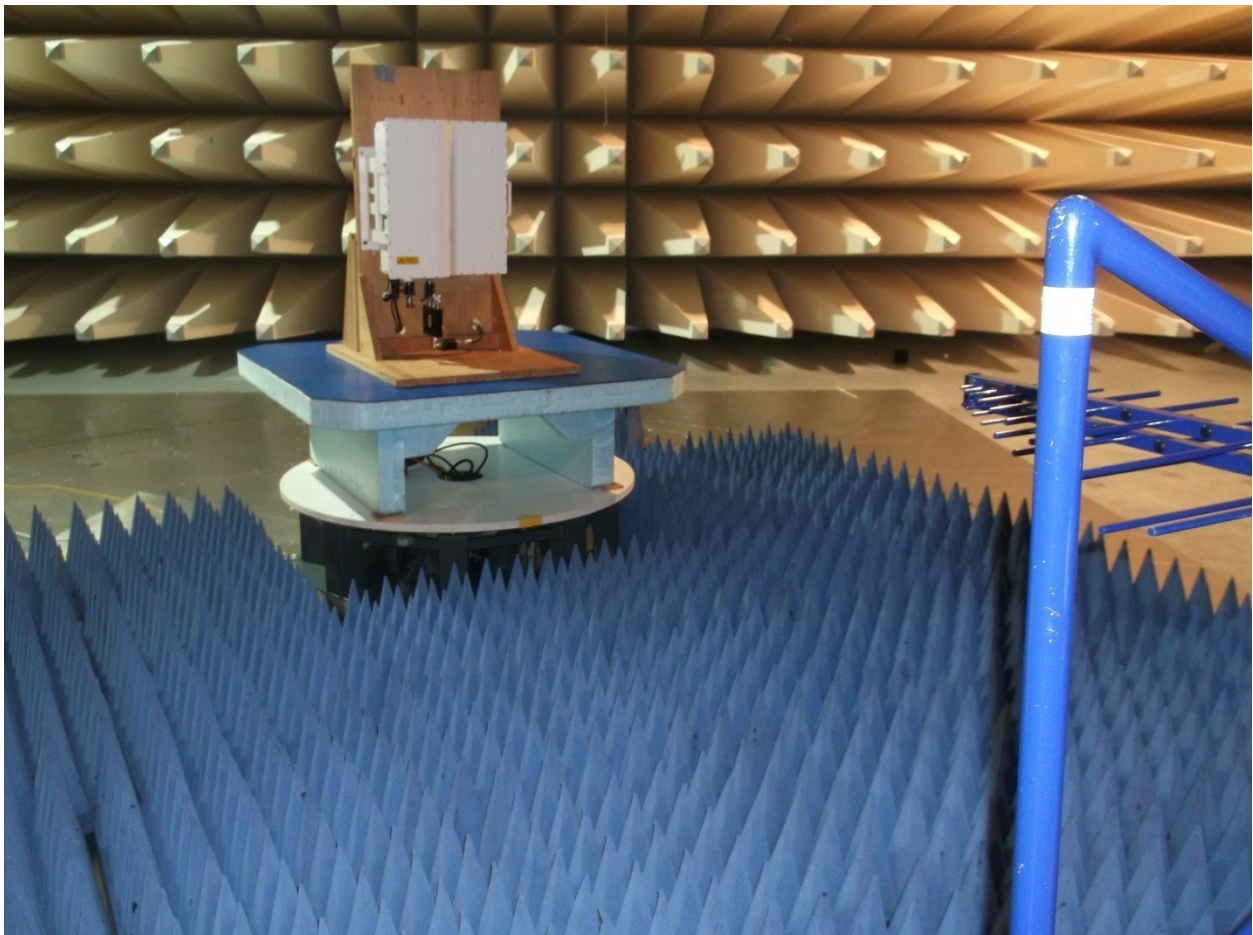
To verify this fact, it would be necessary to carry out a second NF measurement with a reference remote OTRx, containing only the photodiode. Knowing both noise figures (complete DUT + reference remote OTRx), NF of the required amplification stages can be calculated.

Another way to get the NF of the required amplification stages, is to accept line up calculation. This should be acceptable, since NF of the amplification stages is significant lower than 9 dB. In addition to that, the output noise level, which is crucial, was measured and is far below the limit.

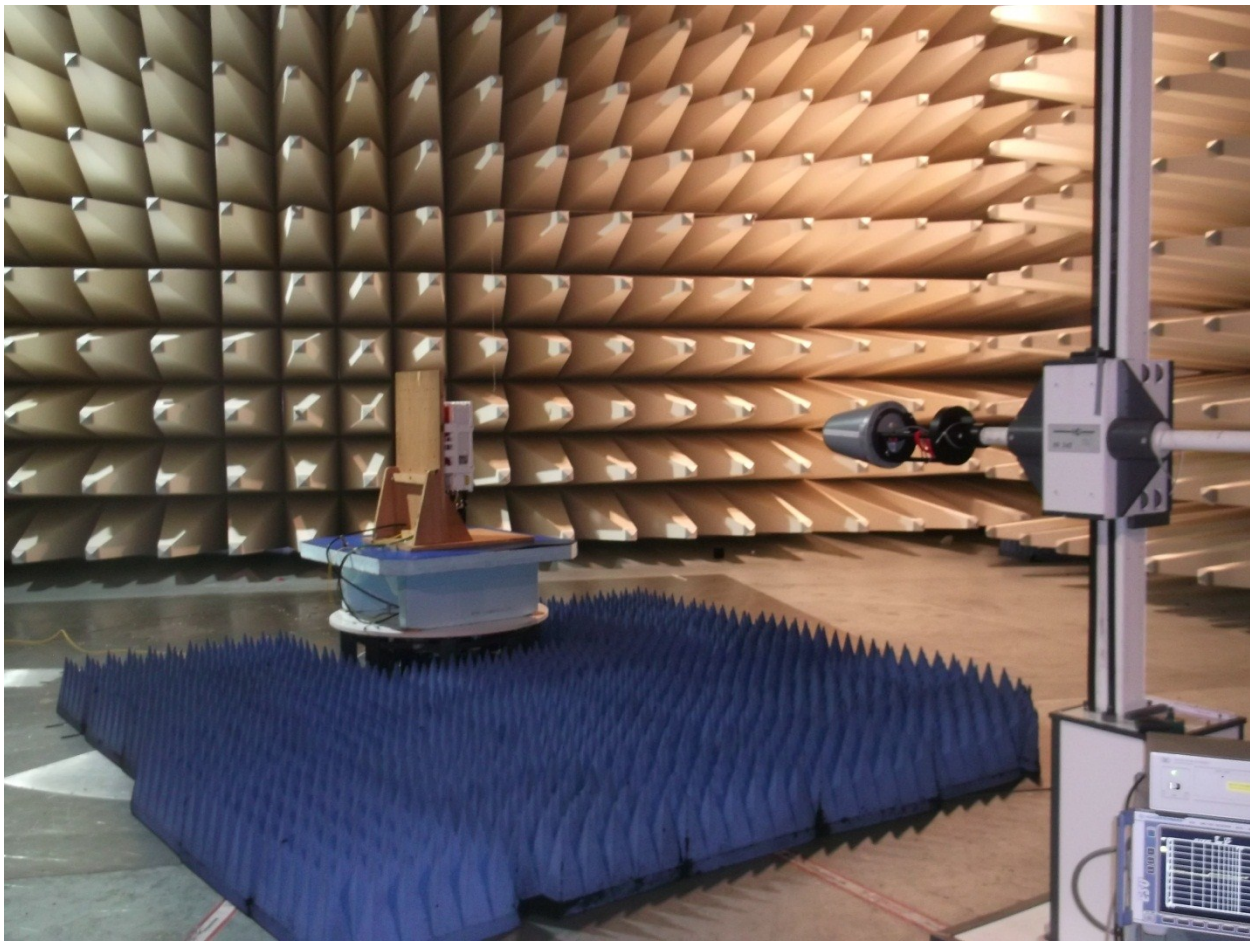
11 Radiated Spurious Emissions at the ECL (Bureau Veritas): §90.543, §2.1053



picture 10.1: name plate



picture 10.2: Test setup: Field Strength Emission <1 GHz @3m in the SAC



picture 7.3: Test setup: Field Strength Emission >1 GHz @3m in the SAC



This clause specifies requirements for the measurement of radiated emission.

Frequency range	Distance: EUT <-> antenna / location	Limit	Test method
30 MHz - 1 GHz	3 metres / SAC	FCC 47 CFR Part 90.210	TIA/EIA-603-C:2004
1 GHz – 21 GHz	3 metres / SAC		

Test equipment used:

Designation	Type	Manufacturer	Invent.-no.	Cal.-date	due Cal.- date	used
EMI test receiver	ESI40	Rohde & Schwarz	E1687	28.11.2013	28.11.2014	X
Antenna	CBL 6111	Chase	K1026	27.06.2014	27.06.2015	X
Pre amplifier	AM1431	Miteq	K1721	16.04.2014	16.04.2015	X
Antenna	HL 025	R&S	K1114	03.03.2014	03.03.2015	X
Preamplifier	AFS4-00102000	Miteq	K817	12.03.2014	12.03.2015	X
RF Cable	Sucoflex 100	Suhner	K1760	03.07.2014	03.07.2015	X

The REMI version 2.135 has been used for max search.

Test set-up:

Test location: SAC
 Both, the Fully Anechoic Chamber (FAC) and the Semi Anechoic Chamber (SAC) fulfil the requirements of ANSI C63.4 and CISPR 16-1-4 with regards to NSA and SVSWR.

Test Voltage: 115V / 60 Hz
 Type of EUT: Wall mounted

Measurement uncertainty:

Measurement uncertainty expanded (95% or K=2)	± 4,7 dB for ANSI C63.4 measurement ± 0,5 dB for TIA-603 measurement
--	---

11.1 Method of Measurement

Measurement procedure. TIA-603-C

The antenna substitution method is used to determine the equivalent radiated power at spurious frequencies. The spurious emissions are measured at a distance of 3 meters. The EUT is then replaced with a reference substitution antenna with a known gain referenced to a dipole. This antenna is fed with a signal at the spurious frequency. The level of the signal is adjusted to repeat the previously measured level. The resulting eirp is the signal level fed to the reference antenna corrected for gain referenced to an isotropic dipole (see Figure 7.2).

From KDB (AMPLIFIER, BOOSTER, AND REPEATER REMINDER SHEET):

Radiated spurs (enclosure) – Use of CW signal (low, mid, and high freq.) is acceptable rather than all modulations.

The maximum RFI field strength was determined during the measurement by rotating the turntable (± 180 degrees) and varying the height of the receive antenna ($h = 1 \dots 4$ m) as like defined in ANSI C63.4. A measurement receiver has been used with a RBW 120 kHz up to 1 GHz and 1 MHz above 1 GHz. Steps with during pre measurement was half the RBW.

Both, the Fully Anechoic Chamber (FAC) and the Semi Anechoic Chamber (SAC) fulfil the requirements of ANSI C63.4 and CISPR 16-1-4 with regards to NSA and SVSWR.

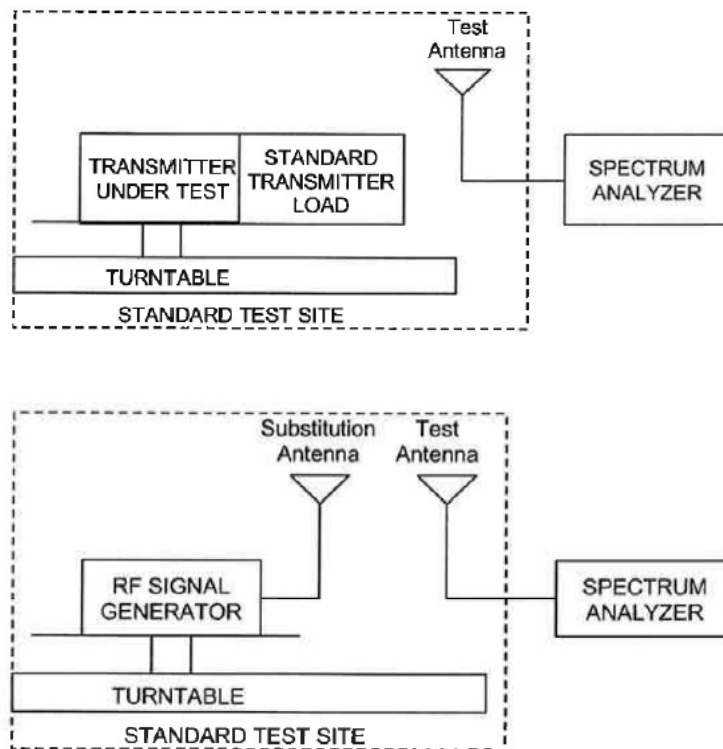


Figure #7.2 Substitution methods TIA/EIA-603-C



11.2 Limit

§ 90.543 Emission limitations.

Transmitters designed to operate in 769–775 MHz and 799–805 MHz frequency bands must meet the emission limitations in paragraphs (a) through (d) of this section. Transmitters operating in 763–768 MHz and 793–798 MHz bands must meet the emission limitations in(e) of this section.

Limit -13dBm

11.3 Climatic values in the lab

Temperature:	19,5°
Relative Humidity:	43%
Air-pressure:	998 hPa

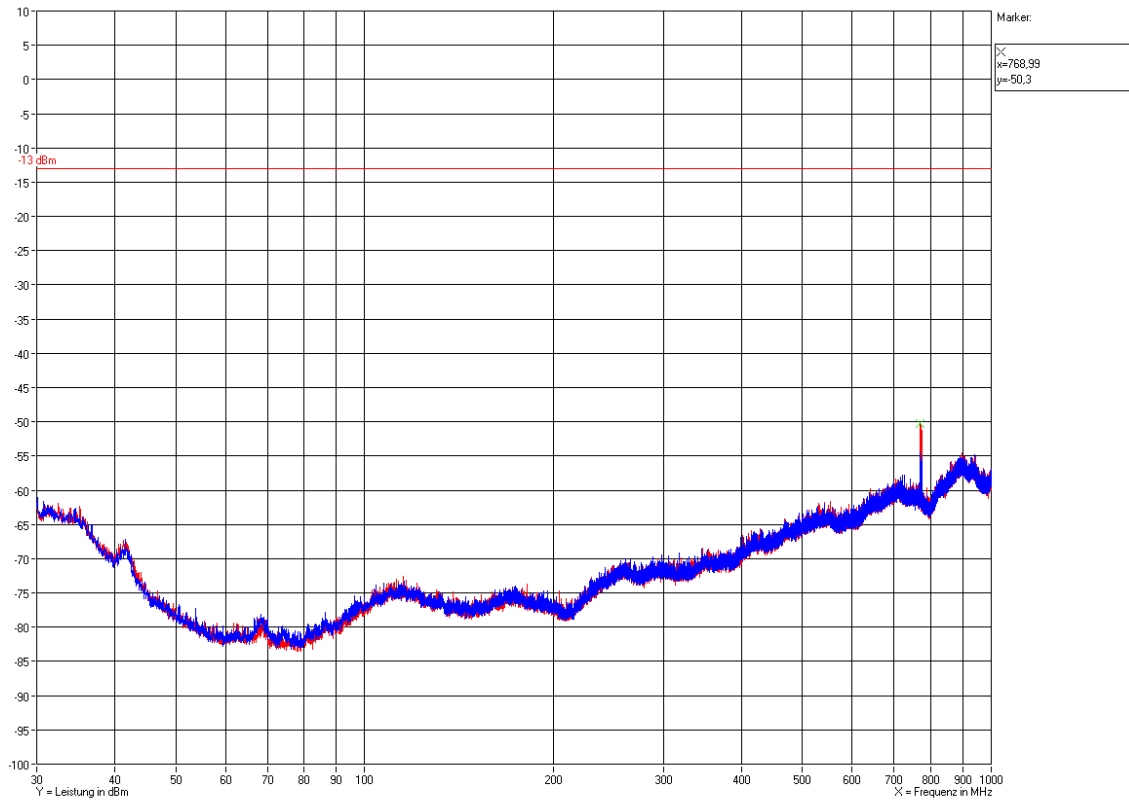


11.4 Test results

11.4.1 30 MHz to 1 GHz Downlink (Bottom – Middle – Top) Subpart H

Bottom: 769 MHz; Middle: 772 MHz; Top: 775 MHz

Vertikal / Horizontal

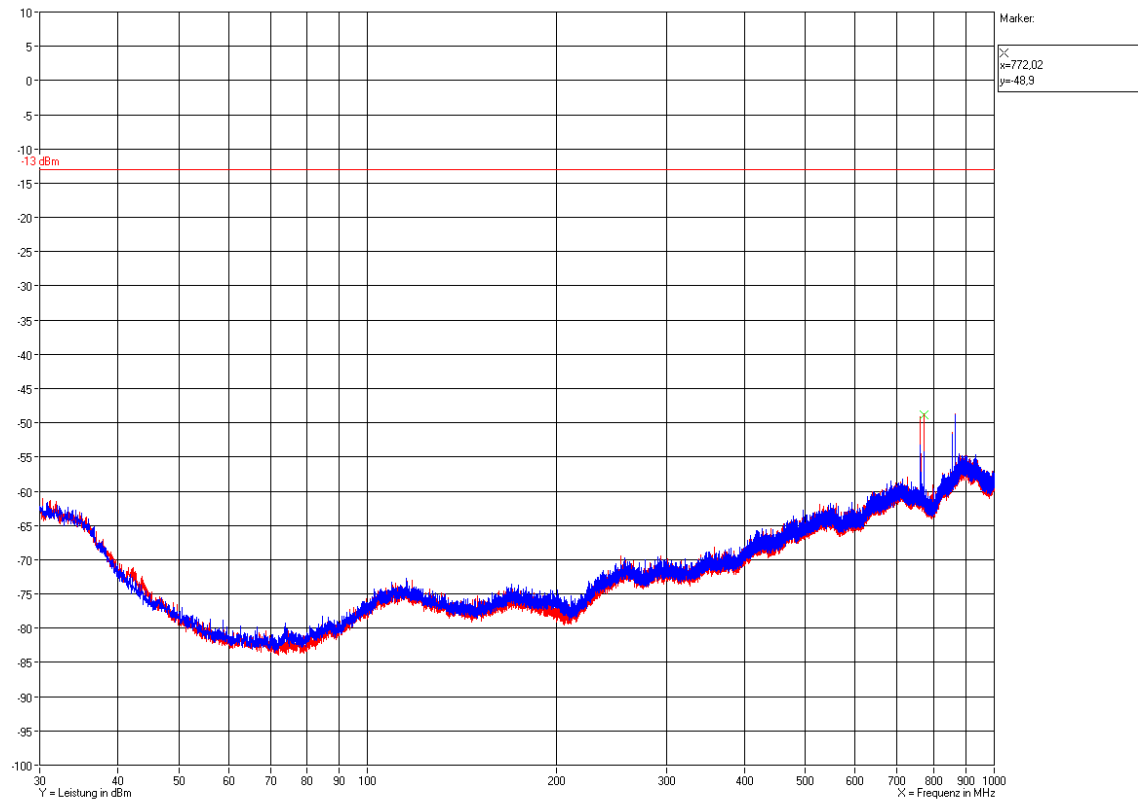




11.4.3 30 MHz to 1 GHz Downlink (Middle of all paths)

F1: 763 MHz; F2: 772 MHz; F3: 856.5 MHz; F4: 865.5 MHz

Vertikal / Horizontal

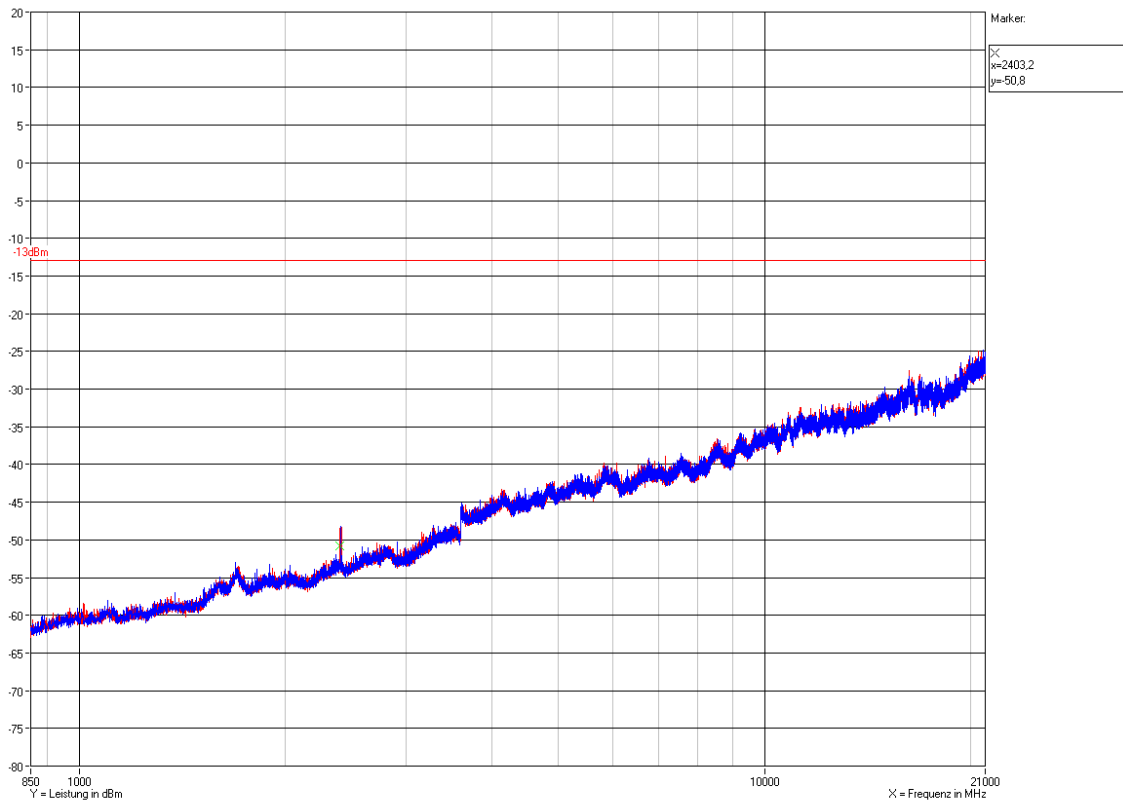




11.4.4 1 GHz to 21 GHz Downlink (Bottom – Middle – Top) Subpart H

Bottom: 769 MHz; Middle: 772 MHz; Top: 775 MHz

Vertikal / Horizontal

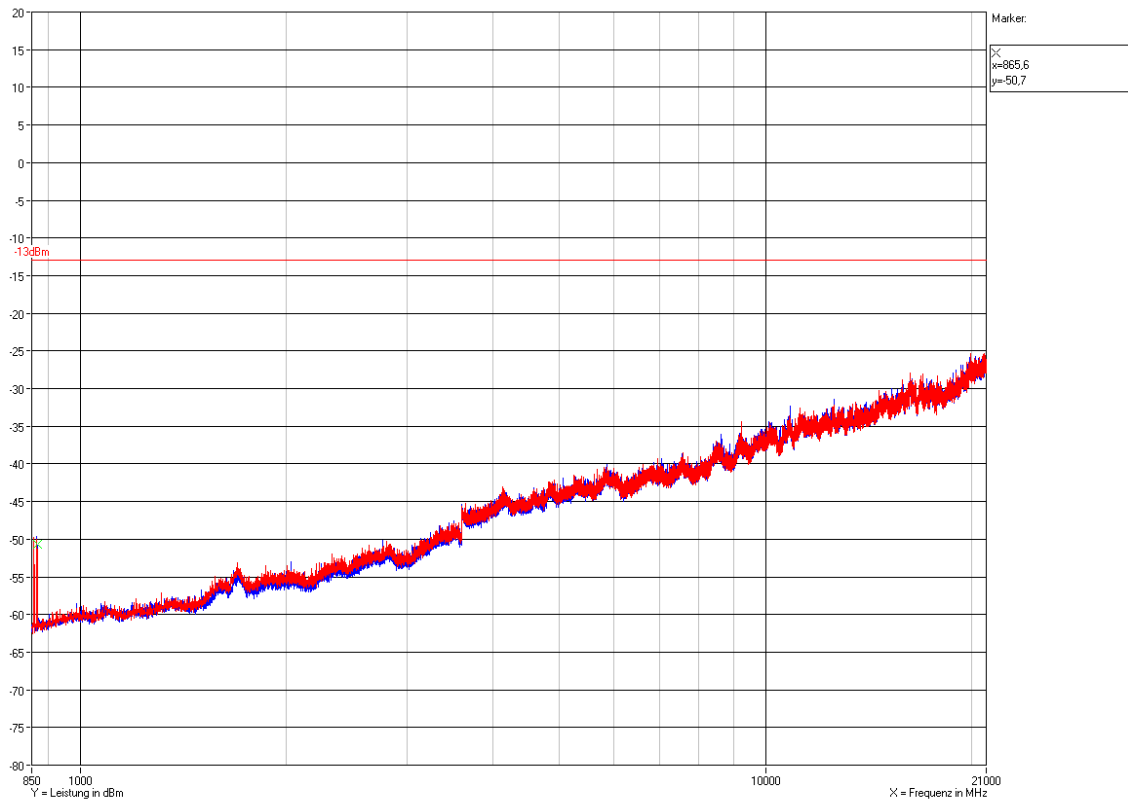




11.4.6 1 GHz to 22 GHz Downlink (Middle of all paths)

F1: 763 MHz; F2: 772 MHz; F3: 856.5 MHz; F4: 865.5 MHz

Vertikal / Horizontal



FEK / 12.08.2014

The radiated spurious emission measurements have been passed!



12 History

Revision	Modification	Date	Name
01.00	Initial report	03.11.2014	Zahlmann
02.00	Change RF power out limit => change antenna gain Add chapter 8 "intermodulation" Add noise measurement at chapter 10 Editorial changes at "Test Result Summary"	23.04.2015	Zahlmann

******* End of test report *******