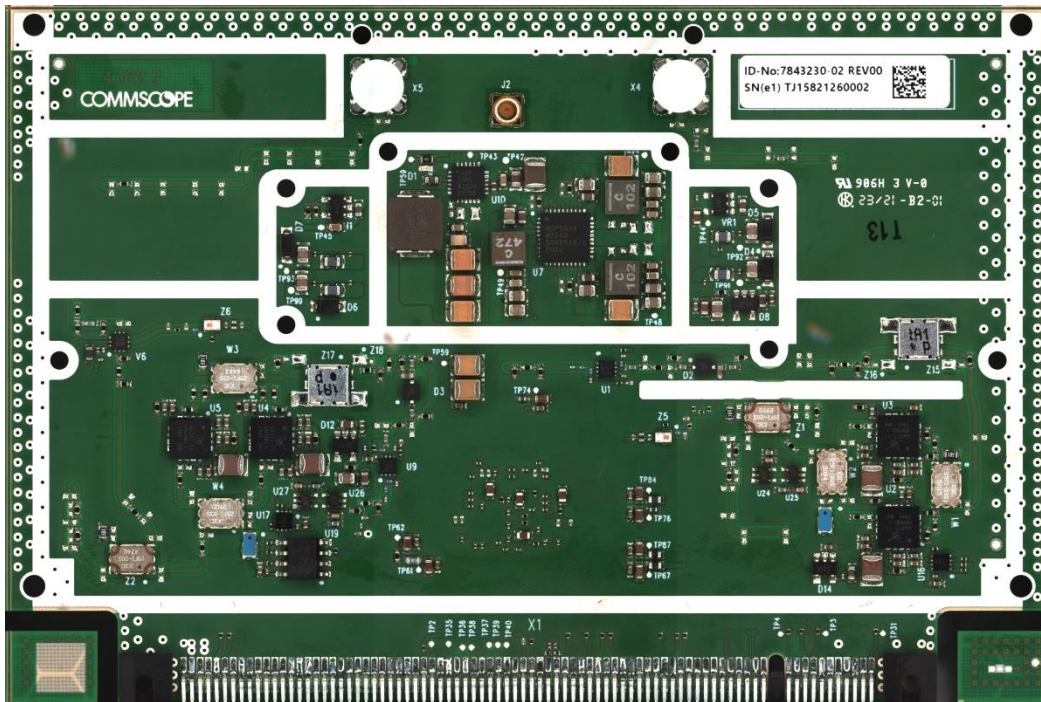
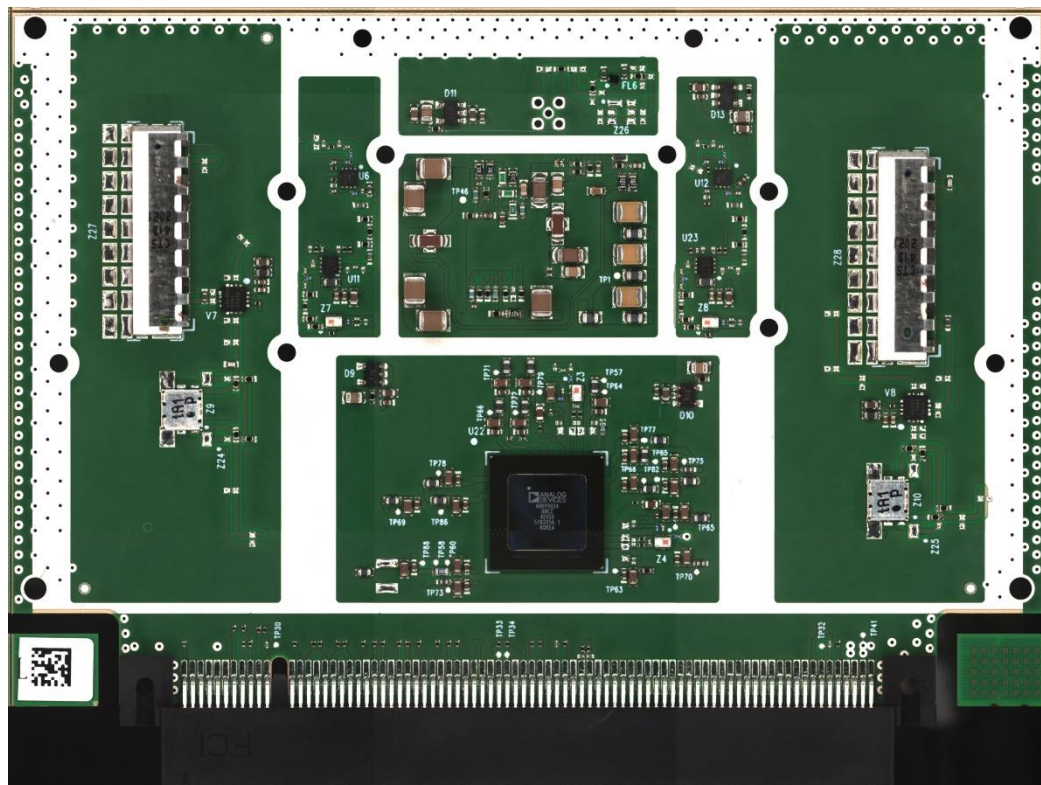


RM B41 – Assembled PCB 7843230-02- Internal picture



TOP View



BOTTOM View