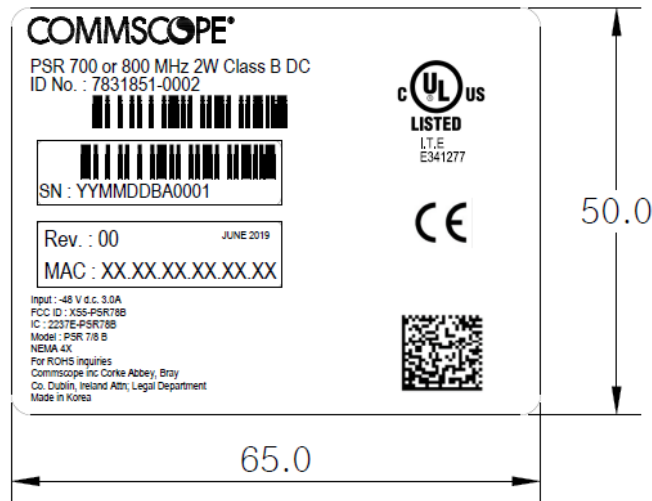
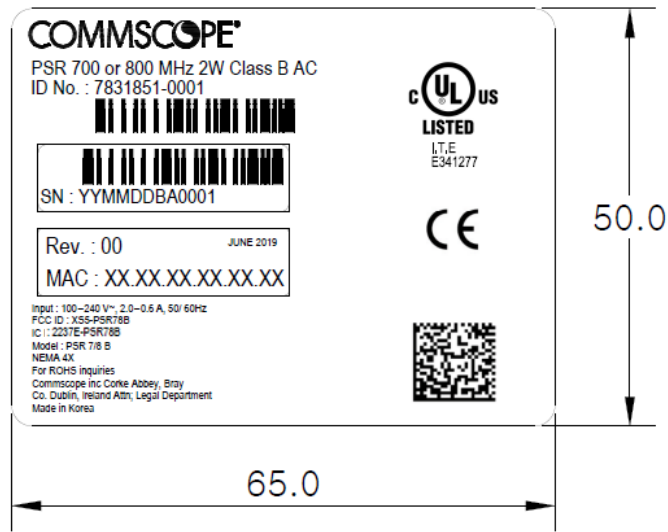
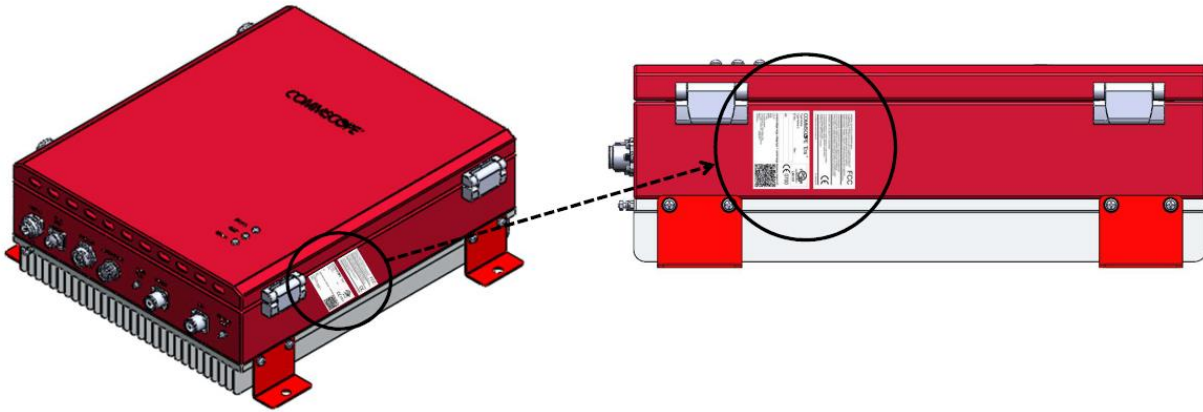


Label Location



COMMSCOPE®

PSR 700 or 800 MHz 2W Class B AC
ID No. : 7831851-0001

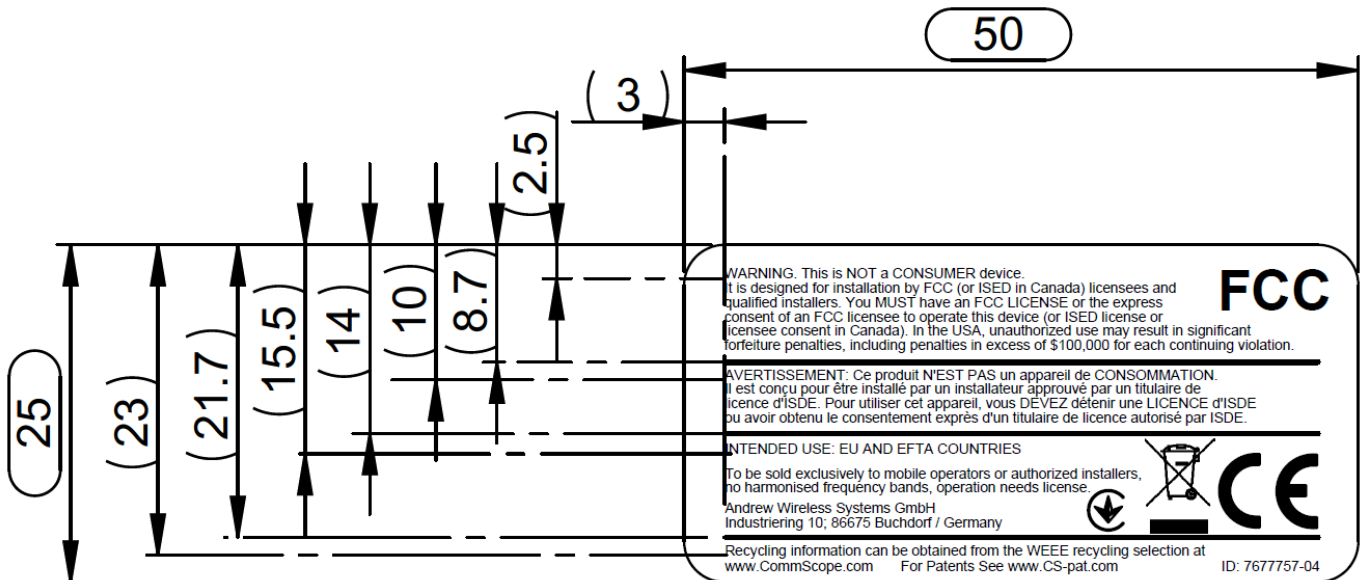


SN : 1908058A0002

Rev. : 00 AUGUST 2019

MAC : F8.36.9B.E9.F7.DD

Input : 100-240 V~, 2.0-0.6 A, 50/60Hz
FCC ID : XS5-PSR788
IC : 2237E-PSR788
Model : PSR 7/8 B
NEMA 4X
For ROHS inquiries
Commscope inc Corke Abbey, Bray
Co. Dublin, Ireland Attn: Legal Department
Made in Korea



Part 90 Signal Boosters

THIS IS A 90.219 CLASS B DEVICE

WARNING. This is NOT a CONSUMER device.
It is designed for installation by **FCC LICENSEES** and **QUALIFIED INSTALLERS**. You **MUST** have an **FCC LICENSE** or express consent of an FCC Licensee to operate this device. You **MUST** register Class B signal boosters (as defined in 47 CFR 90.219) online at www.fcc.gov/signal-boosters/registration. Unauthorized use may result in significant forfeiture penalties, including penalties in excess of \$100,000 for each continuing violation.

ID: 7702893-00

Part 90 Signal Boosters

THIS IS A 90.219 CLASS B DEVICE

WARNING. This is NOT a CONSUMER device.
It is designed for installation by **FCC LICENSEES** and **QUALIFIED INSTALLERS**. You **MUST** have an **FCC LICENSE** or express consent of an FCC Licensee to operate this device. You **MUST** register Class B signal boosters (as defined in 47 CFR 90.219) online at www.fcc.gov/signal-boosters/registration. Unauthorized use may result in significant forfeiture penalties, including penalties in excess of \$100,000 for each continuing violation.

ID: 7702893-00

FCC

WARNING: This is NOT a CONSUMER device. It is designed for installation by FCC (or SED) licensees and qualified installers. You MUST have an FCC LICENSE or the express consent of an FCC licensee to operate this device (or SED license or consent in Canada). In the USA, unauthorized use may result in significant forfeiture penalties, including penalties in excess of \$100,000 for each continuing violation.

AVERTISSEMENT: Ce produit NEST PAS un appareil de CONSOMMATION. Il est conçu pour être installé par un installateur autorisé par un titulaire de licence d'usage. Pour utiliser cet appareil, vous DEVEZ obtenir une LICENCE d'USAGE ou avoir obtenu le consentement express d'un titulaire de licence autorisé par SED.

INTENDED USE: EU AND EFTA COUNTRIES

To be used exclusively to enable operation of authorized mobile devices in the mobile frequency bands, operation needs license.



Andrew Wireless Systems, GmbH
Industriering 10, 96675 Buchdorf / Germany
www.Commscope.com For Patents See www.CS-pat.com ID: 7817757-04

COMMSCOPE®

PSR 700 or 800 MHz 2W Class B AC
ID No. : 7831851-0001



SN : 190805BA0004



Rev. : 00 AUGUST 2019

MAC : F8.36.9B.E9.E0.70

Input : 100-240 V~, 2.0-0.6 A, 50/60Hz

FCC ID : XSS-PSR798

IC : 2231E-PSR798

Model : PSR 7/B B

NEMA 4X

For RCHS inquiries

Commscope Inc. Cooke County, Bray
CA, Dublin, Ireland AFR, Legal Department
Made in Korea



LITE
E341277

