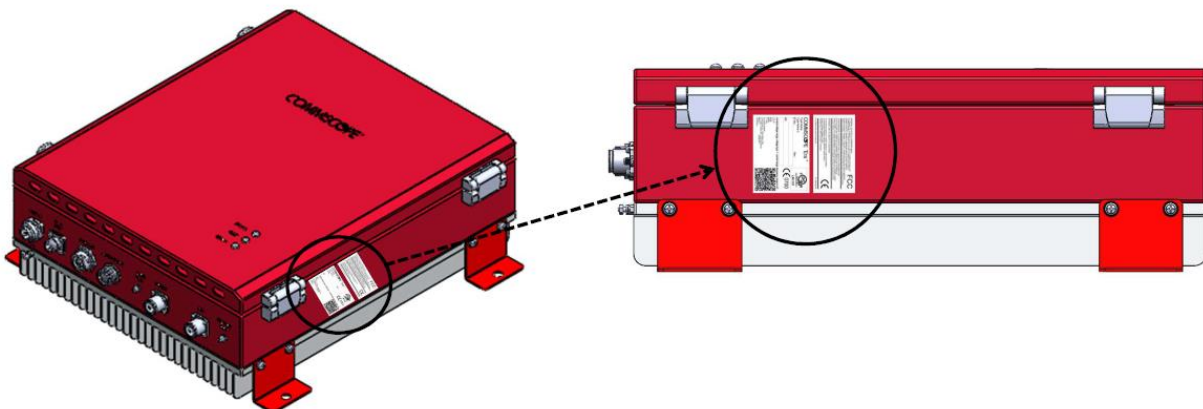
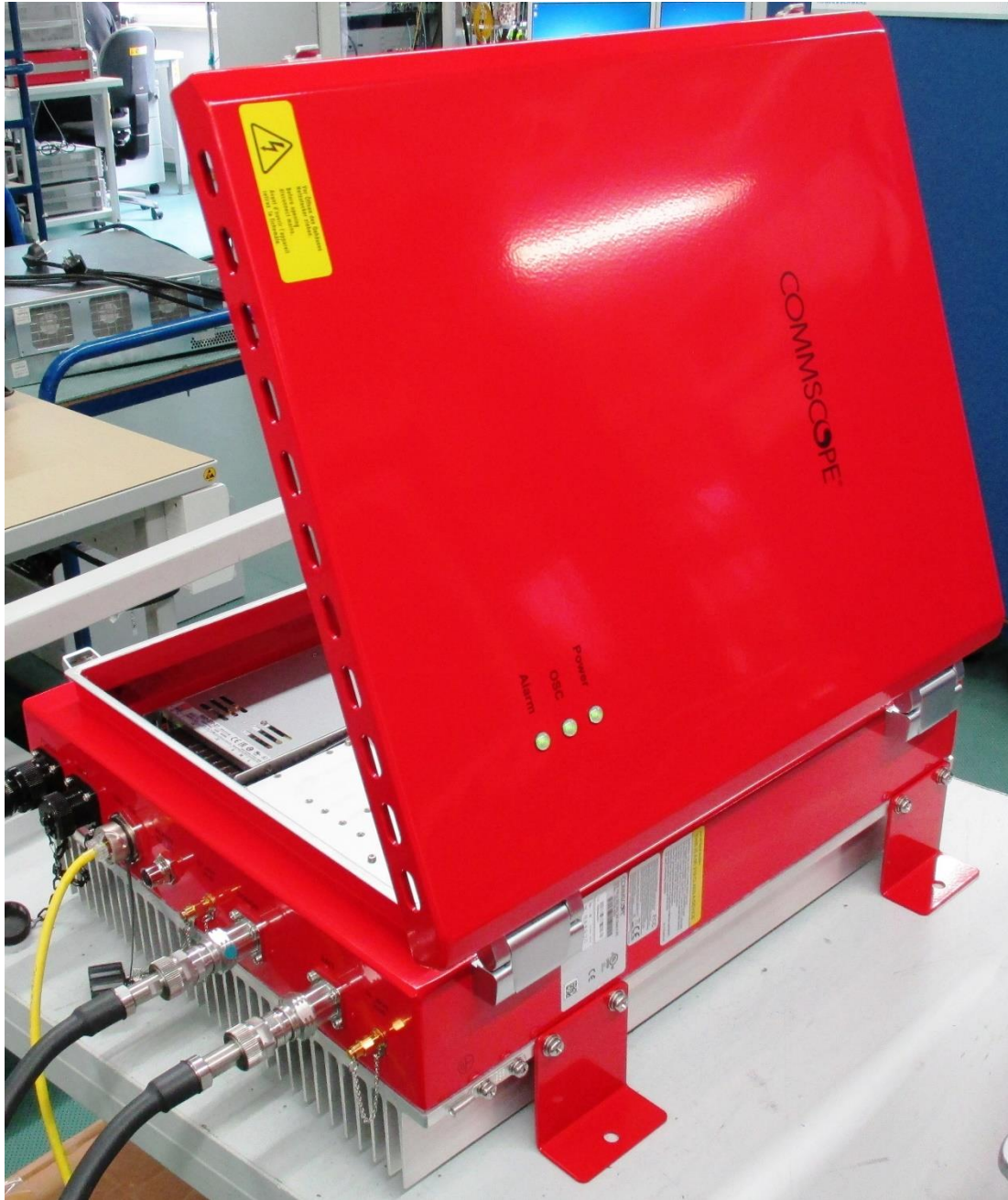
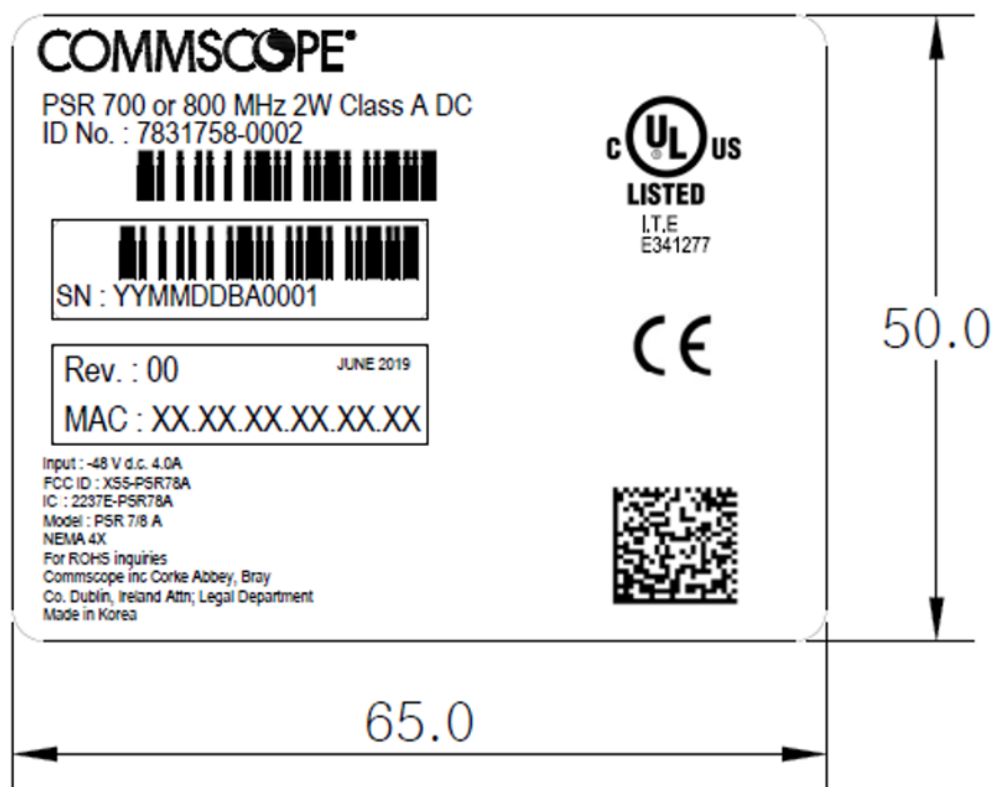
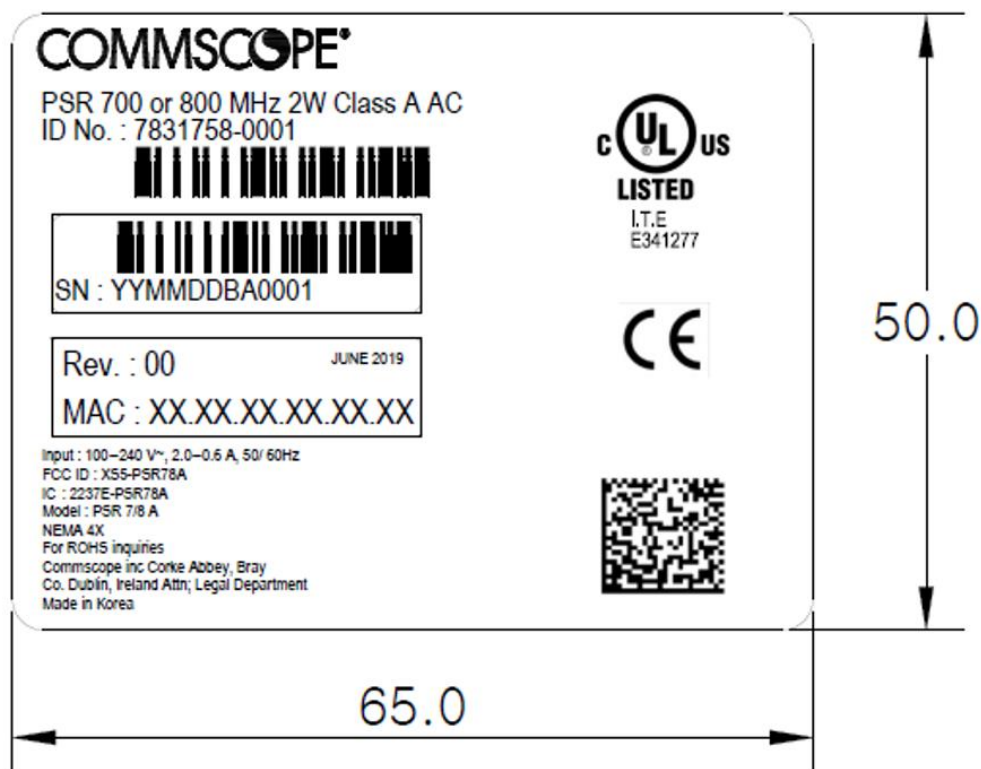


# Label Location





# COMMSCOPE®

PSR 700 or 800 MHz 2W Class A AC  
ID No. : 7831758-0001

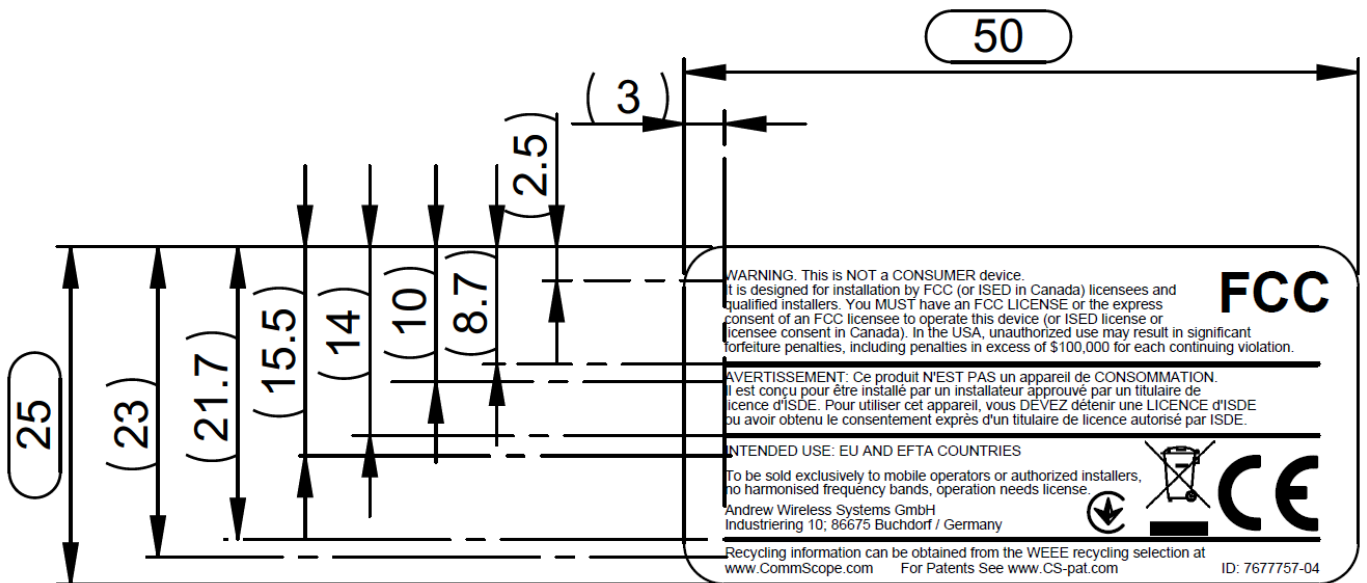


SN : 190805AA0001

Rev. : 00      AUGUST 2019

MAC : F8.36.9B.E8.19.F3

Input : 100-240 V~, 2.0-0.6 A, 50/60Hz  
FCC ID : XS5-PSR78A  
IC : 2237E-PSR78A  
Model : PSR 7/8 A  
NEMA 4X  
For ROHS inquiries  
Commscope inc Corke Abbey, Bray  
Co. Dublin, Ireland Attn: Legal Department  
Made in Korea





**Part 90 Signal Boosters**  
**THIS IS A 90.219 CLASS A OR B DEVICE**

**WARNING.** This is NOT a CONSUMER device. It is designed for installation by FCC LICENSEES and QUALIFIED INSTALLERS. You MUST have an FCC LICENSE or express consent of an FCC Licensee to operate this device. This booster can be configured as a Class A or Class B signal booster. If configured as Class B signal booster (as defined in 47 CFR 90.219), you MUST register this signal booster online at [www.fcc.gov/signal-boosters/registration](http://www.fcc.gov/signal-boosters/registration). Unauthorized use may result in significant forfeiture penalties, including penalties in excess of \$100,000 for each continuing violation.

**WARNING.** This is NOT a CONSUMER device. It is designed for installation by FCC (or ISSED in Canada) licensees and qualified installers. You MUST have an FCC LICENSE or the express consent of an FCC licensee to operate this device (or ISSED license or licensee consent in Canada). In the USA, unauthorized use may result in significant forfeiture penalties, including penalties in excess of \$100,000 for each continuing violation.

**AVERTISSEMENT:** Ce produit N'EST PAS un appareil de CONSOMMATION. Il est conçu pour être installé par un installateur approuvé par un titulaire de licence d'ISDE. Pour utiliser cet appareil, vous DEVEZ obtenir une LICENCE d'ISDE ou avoir obtenu le consentement exprès d'un titulaire de licence autorisé par ISDE.

**INTENDED USE: EU AND EFTA COUNTRIES**  
 To be sold exclusively to mobile operators or authorized installers, no harmonised frequency bands, operation needs license.  
 Andrew Wireless Systems GmbH  
 Industriering 10, 86675 Buchdorf / Germany

Recycling information can be obtained from the WEEE recycling selection at [www.Commscope.com](http://www.Commscope.com) For Patents See [www.CS-pat.com](http://www.CS-pat.com) ID: 7677757-04

**COMMSCOPE®**  
 PSR 700 or 800 MHz 2W Class AAC  
 ID No. : 7831758-0001

  
 SN : 200515AA0034

Rev. : 00      MAY 2020  
 MAC : F8.36.9B.12.97.AB

Input : 100-240 V~, 2.0-0.6 A, 50/60Hz  
 FCC ID : X55-PSR78A  
 Model : PSR 719 A  
 NEMA 4X  
 For ROHS inquiries  
 Commscope Inc., 22116 Abbey Bray  
 Co., Dublin, Ireland 11th, Legal Department  
 Made in Korea

  
 LISTED  
 ITE  
 E341277



