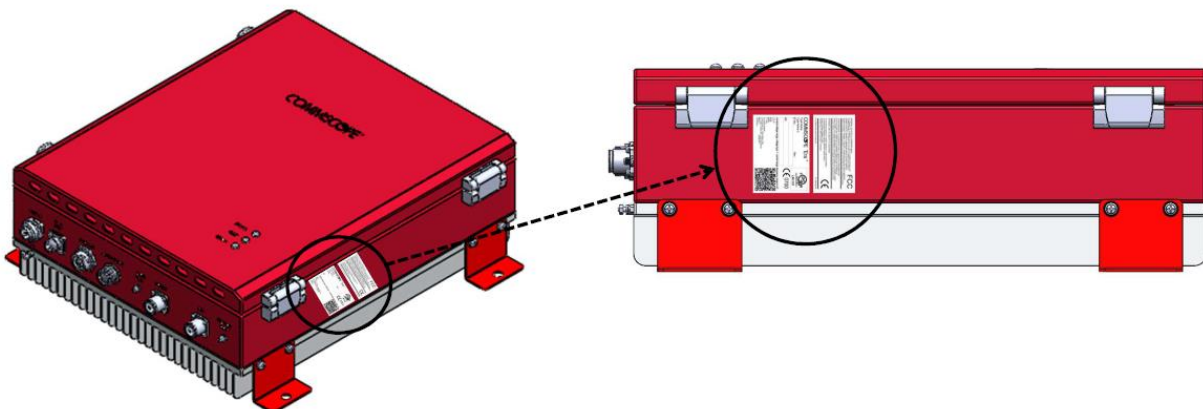
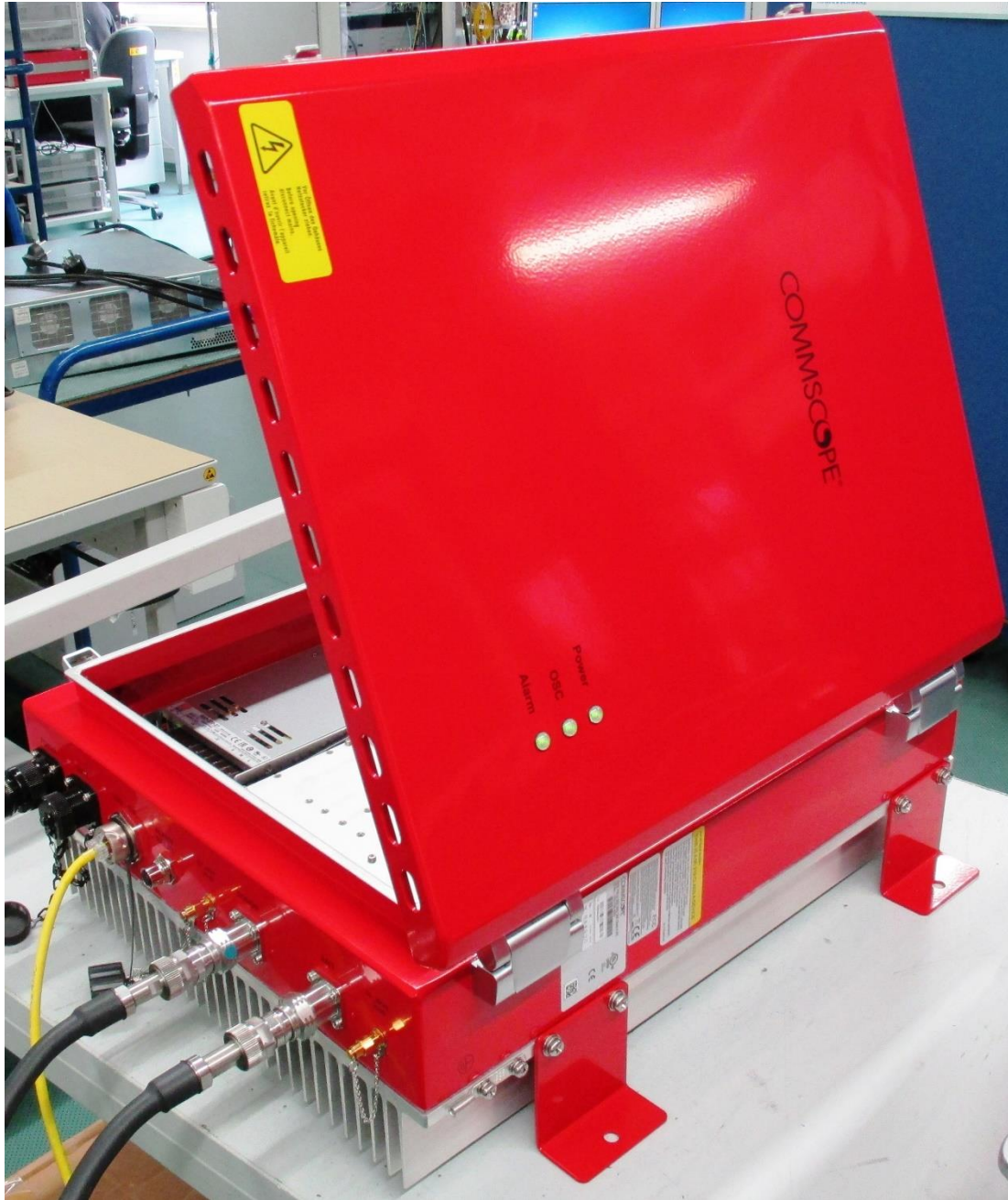
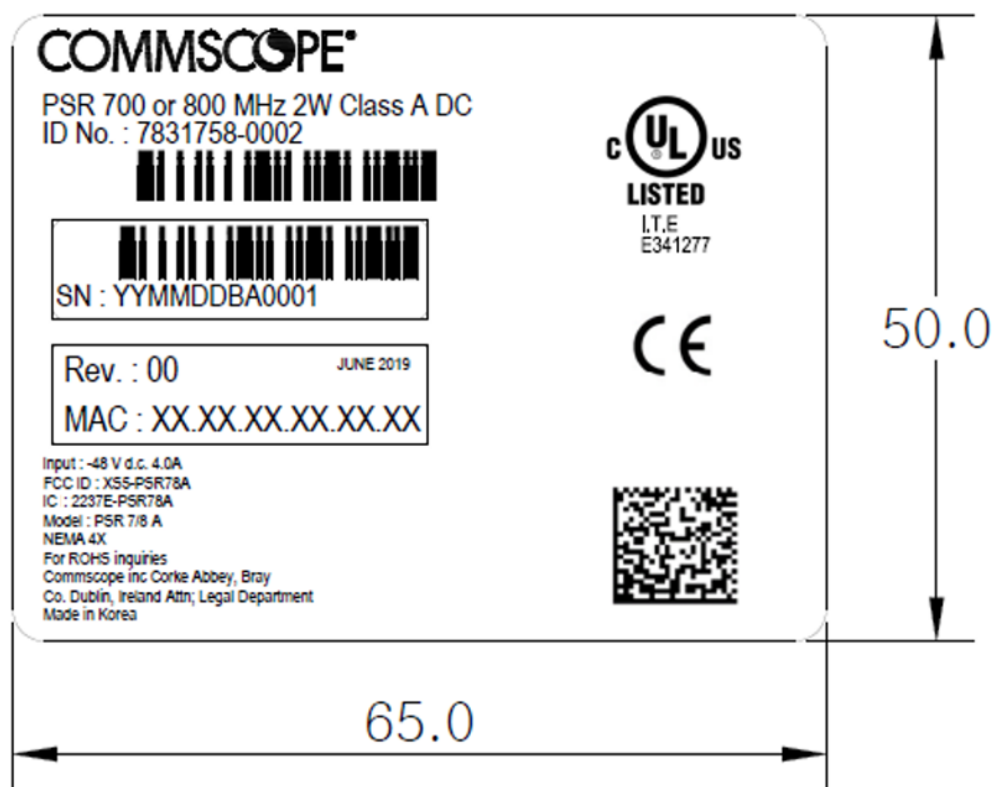
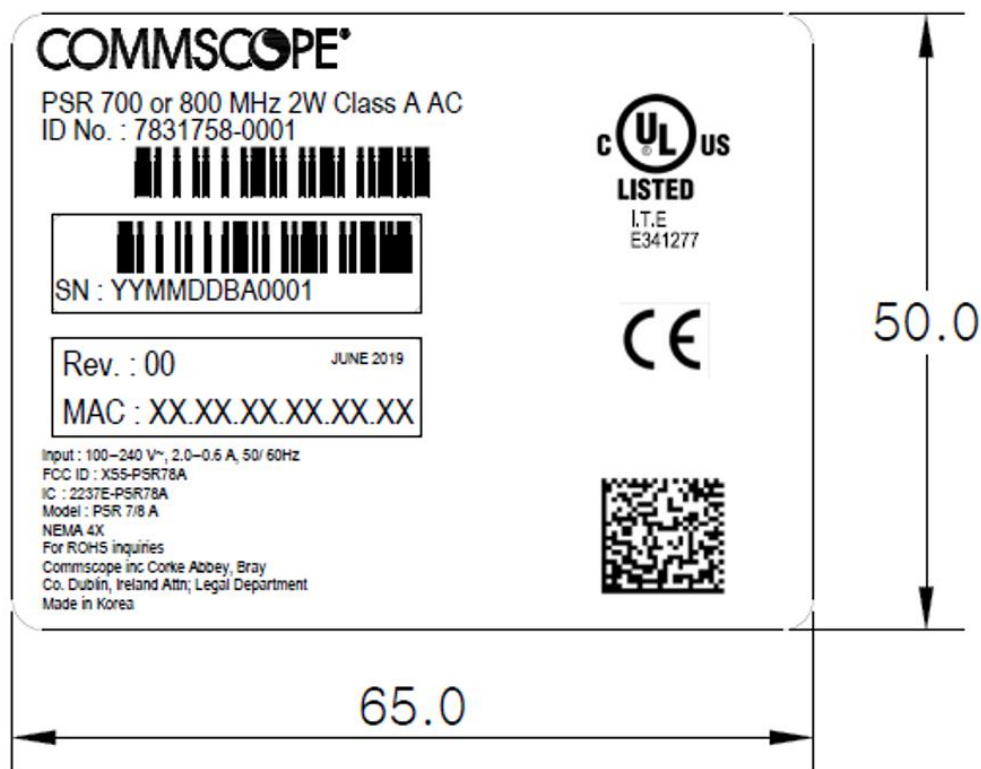


# Label Location





# COMMSCOPE®

PSR 700 or 800 MHz 2W Class A AC  
ID No. : 7831758-0001

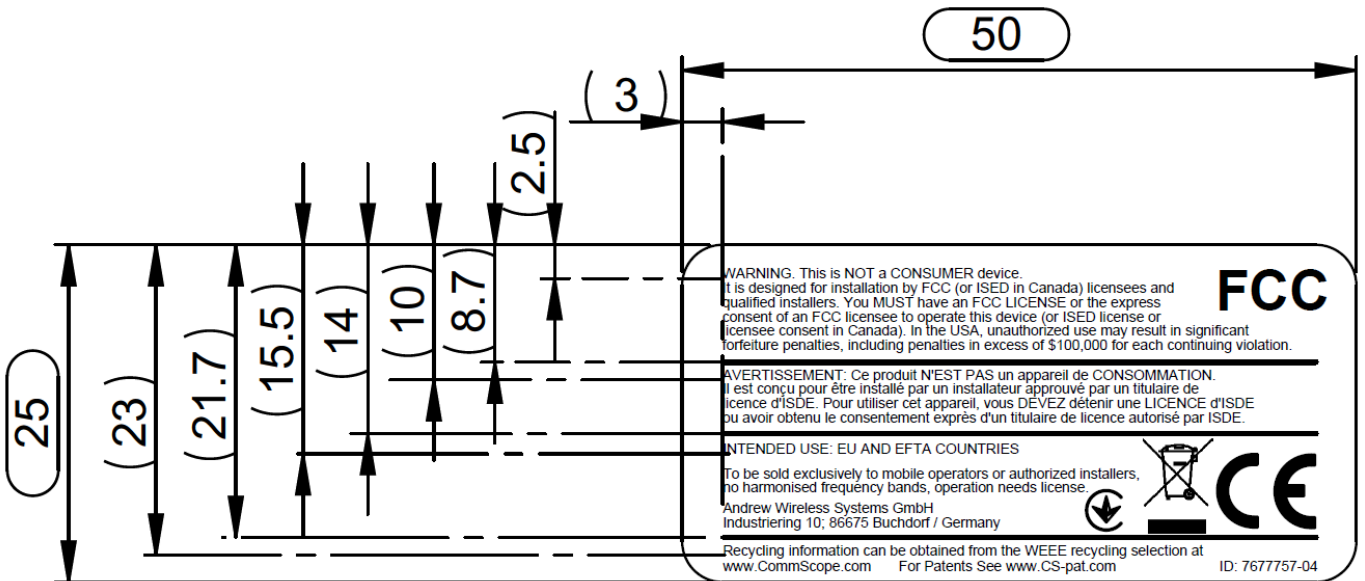


SN : 190805AA0001

Rev. : 00      AUGUST 2019

MAC : F8.36.9B.E8.19.F3

Input : 100-240 V~, 2.0-0.6 A, 50/60Hz  
FCC ID : XS5-PSR78A  
IC : 2237E-PSR78A  
Model : PSR 7/8 A  
NEMA 4X  
For ROHS inquiries  
Commscope inc Corke Abbey, Bray  
Co. Dublin, Ireland Attn: Legal Department  
Made in Korea



Part 90 Signal Boosters

# THIS IS A 90.219 CLASS A DEVICE

**WARNING. This is NOT a CONSUMER device. It is designed for installation by FCC LICENSEES and QUALIFIED INSTALLERS. You MUST have an FCC LICENSE or express consent of an FCC Licensee to operate this device. You MUST register Class B signal boosters (as defined in 47 CFR 90.219) online at [www.fcc.gov/signal-boosters/registration](http://www.fcc.gov/signal-boosters/registration). Unauthorized use may result in significant forfeiture penalties, including penalties in excess of \$100,000 for each continuing violation.**

ID: 7837505-00

Part 90 Signal Boosters

# THIS IS A 90.219 CLASS A DEVICE

**WARNING. This is NOT a CONSUMER device. It is designed for installation by FCC LICENSEES and QUALIFIED INSTALLERS. You MUST have an FCC LICENSE or express consent of an FCC Licensee to operate this device. You MUST register Class B signal boosters (as defined in 47 CFR 90.219) online at [www.fcc.gov/signal-boosters/registration](http://www.fcc.gov/signal-boosters/registration). Unauthorized use may result in significant forfeiture penalties, including penalties in excess of \$100,000 for each continuing violation.**

ID: 7837505-00

**WARNING:** This is NOT a CONSUMER device. It is designed for installation by FCC LICENSEES and QUALIFIED INSTALLERS. You MUST have an FCC LICENSE or express consent of an FCC Licensee to operate this device. You MUST register Class B signal boosters (as defined in 47 CFR 90.219) online at [www.fcc.gov/signal-boosters/registration](http://www.fcc.gov/signal-boosters/registration). Unauthorized use may result in significant forfeiture penalties, including penalties in excess of \$100,000 for each continuing violation.

**AVERTISSEMENT:** Ce produit N'EST PAS un appareil de CONSOMMATION. Il est conçu pour être installé par un installateur approuvé par un titulaire de licence de la CRTC. Vous devez obtenir une licence de la CRTC avant d'utiliser le dispositif de renforcement de signal. Pour plus d'informations, consultez le site [www.crtc.gc.ca](http://www.crtc.gc.ca).

**AVVERTIMENTO:** Questo prodotto non è un apparecchio per uso consumer. È progettato per essere installato da un installatore autorizzato da un titolare di licenza. È necessario ottenere una licenza prima di utilizzare il dispositivo di potenziamento del segnale. Per ulteriori informazioni, visitate il sito [www.fcc.gov](http://www.fcc.gov).

**INTENDED USE: EU AND EFTA COUNTRIES**

To be sold exclusively to mobile operators or authorized installers, no harmonised frequency bands, operation needs license.

Andrew Wireless Systems GmbH  
Industrieweg 10, 86675 Buchdorf / Germany  
[www.commscope.com](http://www.commscope.com)

Recycling information can be obtained from the WEEE recycling section at [www.commscope.com](http://www.commscope.com). For Patents See [www.CS-948.com](http://www.CS-948.com) ID: 787752-04

**FCC**

**CE**

**COMMSCOPE®**

PSR 700 or 800 MHz 2W Class AAC  
ID No.: 7831758-0001



SN : 190805AA0001



Rev. : 00      AUGUST 2019

MAC : F8.36.9B.E8.19.F3

Input : 100-240 V~, 20-0.6 A, 50/60Hz  
FCC ID: CS90793A  
IC: 221E-PSP793A  
Model : PSR 700A  
NEMA 4X  
For RCHS Inquiries  
CommScope Inc. Corus Abbey, Bury  
Co. Dublin, Ireland Adv. Legal Department  
Made in Korea

