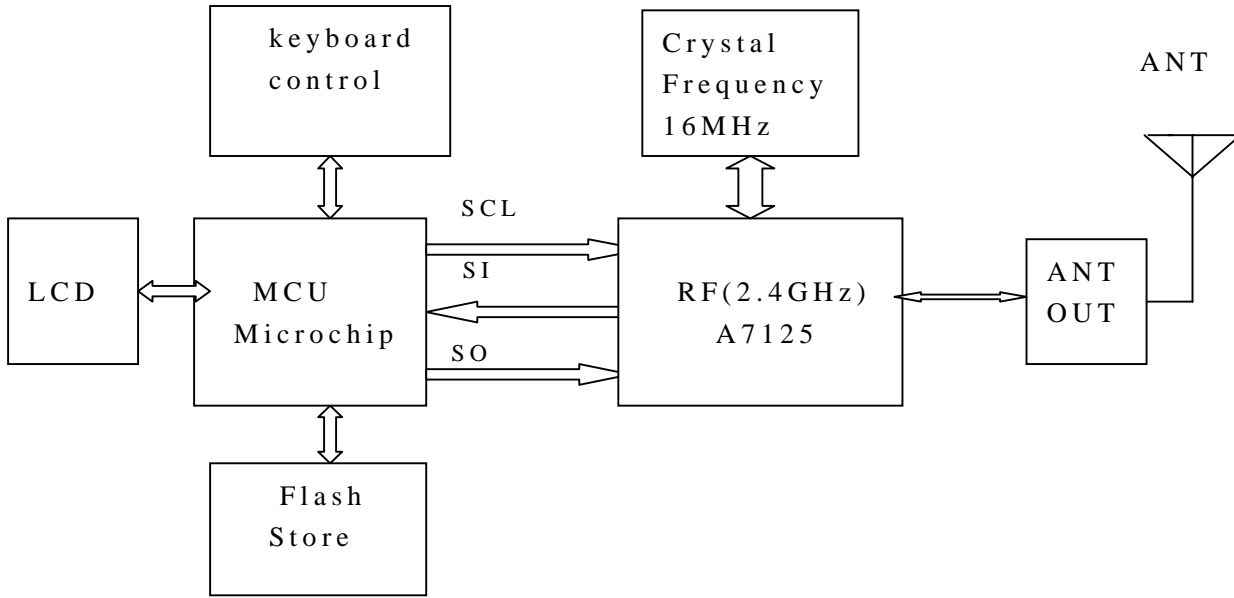


## QRF900 Teacher Response (Model) Block Diagram



## QRF900 Host (Model) BLOCK DIAGRAM

