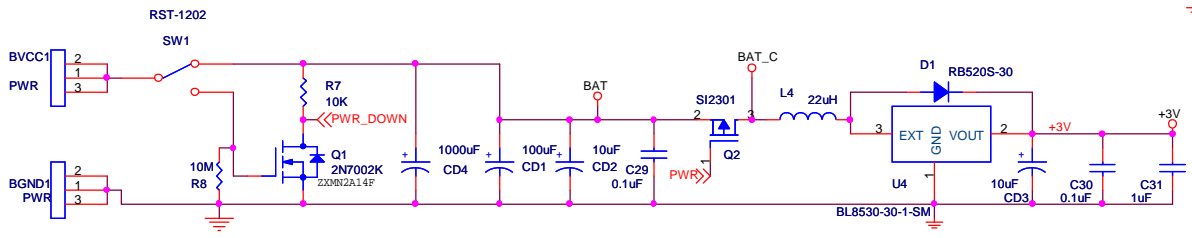
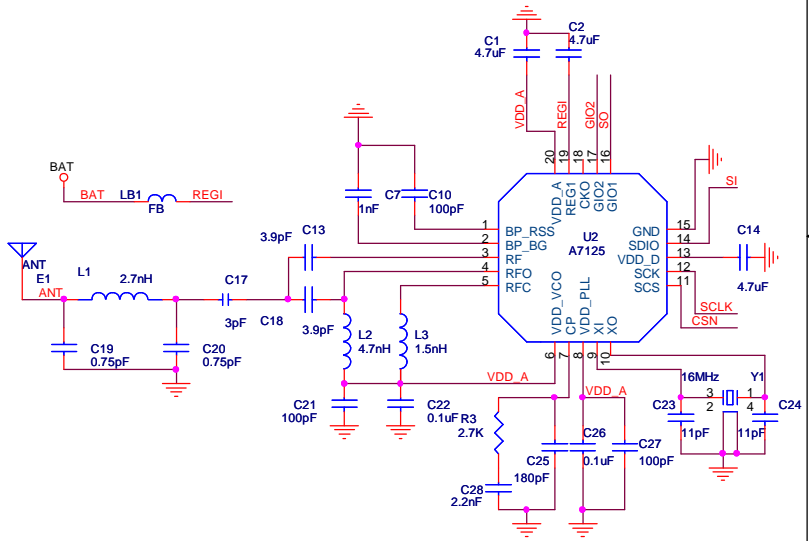
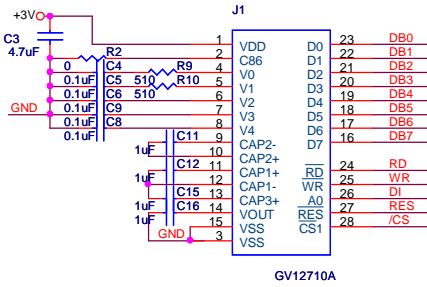
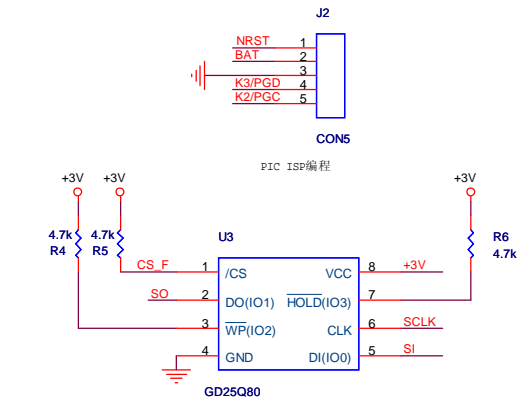
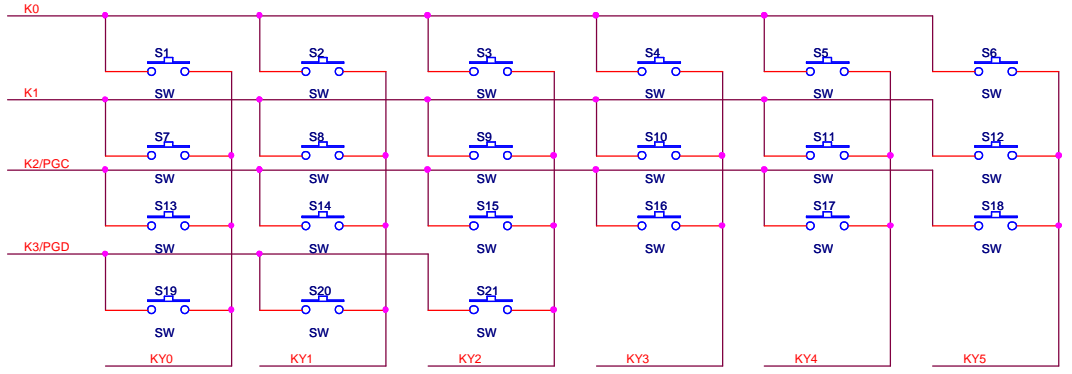
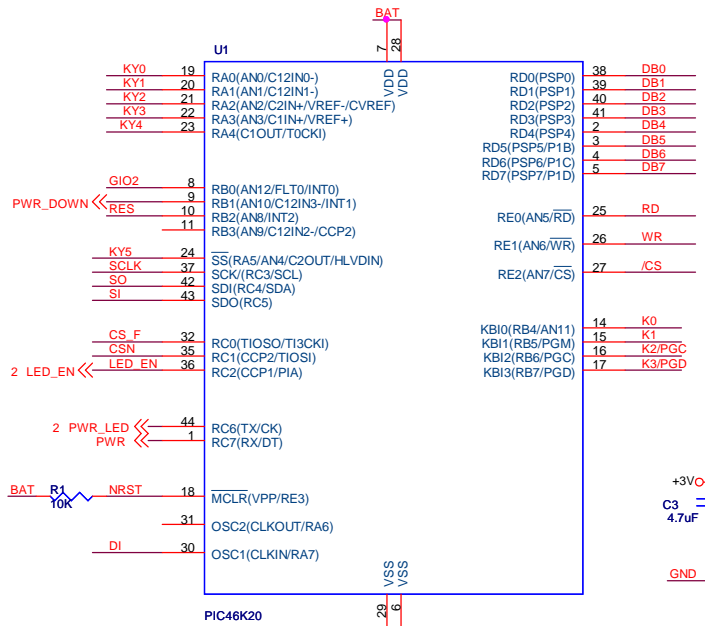


Title		
<Title>		
Size	Document Number	Rev
A	<Doc>	<RevCode>
Date:	Thursday, September 30, 2010	Sheet 1 of 1



Title		
QRF900 S AND T		
Size	Document Number	Rev
B	QRF900	2.2
Date:	Monday, August 30, 2010	Sheet 2 of 2