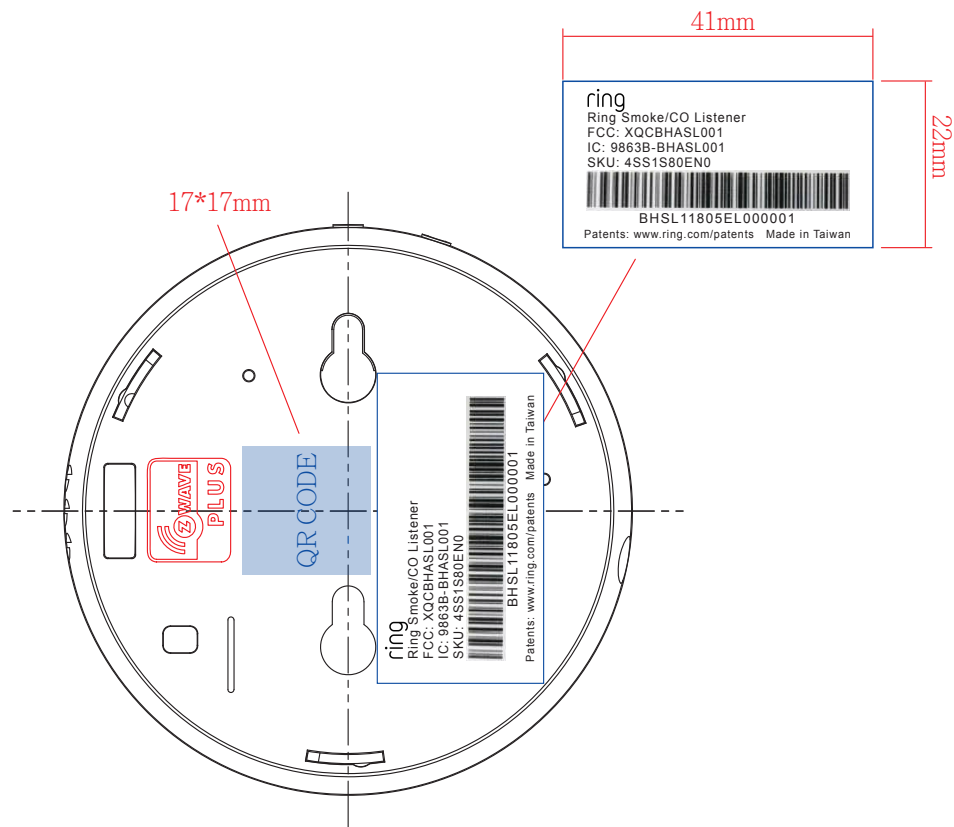
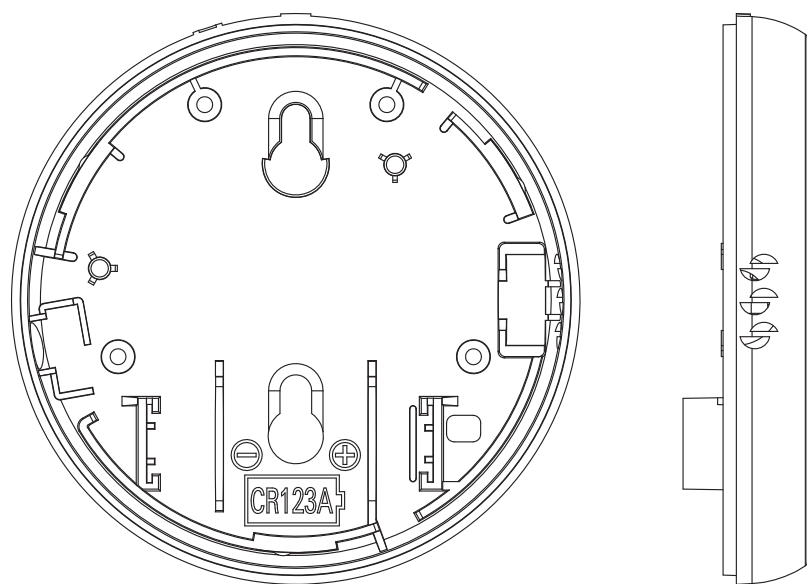


尺寸以3d為準



The label material SemiGloss paper,
and the adhesive is Fasson (Registered).

VISION 經昌汽車電子工業股份有限公司

6			品號*	比例	1 / 1	單位	MM
5			品名*	材質	*		
4			規格*	*			
3			日期*			版本	5
2			視角	繪圖	審核	承認	
1	*	新 訂					
NO.	年月日	修改理由					



AW5224

**Fasson®
Semigloss Gloss
Paper/HP103/BG40#WH
imp**

**Fasson®
A bright white one side
coated art paper.**

Applications



Key Features

- > This Semigloss appearance
- > Suitable for a wide range of promotional and industrial label applications

Facestock

A bright white one side coated art paper.
Basis Weight: 80 g/m² ± 10% ISO536
Caliper: 0.070 mm ± 10% ISO534

Adhesive

A general purpose permanent, rubber based adhesive.

Liner

A supercalendered white glassine paper with excellent roll label converting properties.

Basis Weight: 61 g/m² ± 10% ISO536
Caliper: 0.055mm ± 10% ISO534

Performance data

loop Tack (st,st)-FTM 9: 13.0 or Tear (N/25mm)
20 min 90° Peel (st,st)-FTM 2: 6.0 or Tear
24 hour 90° Peel (st,st)-FTM 2: 7.0 or Tear
Minimum Application Temperature: 10°C
After labeling 24Hours, Service Temperature Range: -15°C~+65°C

Adhesive Performance

The adhesive features excellent initial tack and ultimate bond on a wide variety of substrates.

It is suitable for applications where compliance with FDA 175.105 is required. This section covers applications where for indirect or incidental contact food, cosmetic or drug products.

Applications and use

The products are suitable for a wide range of promotional and industrial label applications where attractive semi-gloss appearance in multi-colour work is required.

Typical applications include cosmetic, pharmaceutical and food industry labeling systems. It's suitable for flat or simple curve substrates.

Not recommend on the PVC substrates and small diameter surfaces.

The above does not represent any guarantee or warranty and the Purchaser must independently determine the suitability of the products for the Purchaser's purposes.

Conversion/printing

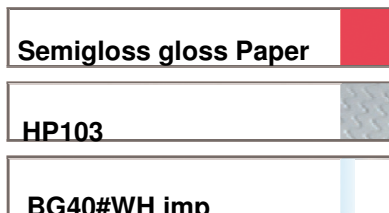
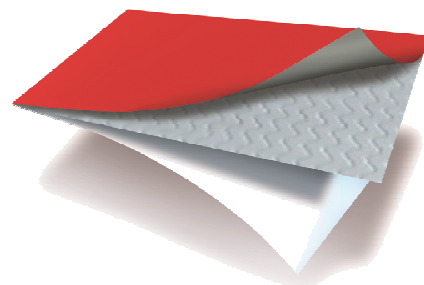
This supercalendered semi-gloss facestock provides excellent printing quality by all the usual printing techniques, whether single or multicolour, line or process colour printing.

Cares should be taken with the ink viscosity during printing process, too high viscosity of ink will damage the surface of paper. Excellent conversion characteristics in rotary and flat-bed. Acceptance of hot stamping foil is excellent. For the fine coding printing application, we recommend converter to have fully testing in advance.

Shelf life

One year when stored at 23 ± 2°C at 50 ± 5% RH.

Fasson® Semigloss Gloss Paper/HP103/BG40#WH imp



Asia Pacific

32/F., Skyline Tower
39 Wang Kwong Road
Kowloon Bay, Kowloon,
Hong Kong
Tel: +852 2802-9618

Warrenty

All statements, technical information and recommendations about AVERY DENNISON products are based upon tests believed to be reliable but do not constitute a guarantee or warranty. All AVERY DENNISON products are sold with the understanding that PURCHASER has independently determined the suitability of such products for its purposes. AVERY DENNISON products are warranted to be free of defects in material or workmanship for a period of one year from the date of shipment. Any product shown to the satisfaction of AVERY DENNISON within the time provided to be so defective shall be replaced without charge of AVERY DENNISON may issue credit in such amount as it seems reasonable however, in no event shall AVERY DENNISON be responsible for claims beyond the replacement value of the defective product or in any way

liable or responsible for consequential or incidental damages. NO EXPRESS WARRANTIES, WHETHER OF MERCHANTABILITY OR FITNESS FOR ANY PARTICULAR USE, OR OTHERWISE, EXCEPT AS SET FORTH ABOVE (WHICH IS MADE EXPRESSLY IN LIEU OF ALL OTHER WARRANTIES) SHALL APPLY TO PRODUCTS SOLD BY AVERY DENNISON. AVERY DENNISON SPECIFICALLY DISCLAIMS AND EXCLUDES ALL OTHER SUCH WARRANTIES. NO WAIVER, ALTERNATION, ADDITION OR MODIFICATION OF THE FOREGOING CONDITIONS SHALL BE VALID UNLESS MADE IN WRITING AND SIGNED BY AN EXECUTIVE OFFICER OF AVERY DENNISON. No salesman, representative, or agent of AVERY DENNISON is authorized to give any guarantee, warranty or make any representation contrary to the above.