



WST-601
AUDIO DETECTOR
patent pending

Installation Manual & Users Guide

SPECIFICATIONS

Frequency: 319.5 MHz
3Vdc lithium CR123A (1550 mAh)
years
Detection distance: 6 in max

Operating Temperature: 32°-120°F (0°-49°C) Battery: One
Operating Humidity: 5-95% RH non condensing Battery life: 5
Compatible with GE/Interlogix receivers
Supervisory signal interval: 64 min(approx.)
Maximum current draw: 23mA during transmission

OPERATION

The audio detector sensor is designed to listen to the alarm sounder of any smoke detector. Once confirmed as an alarm, it will transmit a signal to the alarm control panel which if connected to a central monitoring station, will dispatch the fire department.

WARNING: This audio detector is intended only for use with smoke detectors but it does not detect the presence of smoke, heat, or fire directly.

ENROLLING (see IMAGE: 1)

To enroll the sensor, set your panel into sensor learn mode. Refer to your specific alarm panel instruction manual for details on these menus. To trigger a transmission from the sensor, press the learn button or tamper switch on the detector when prompted by the panel. For some panels, you may need to manually enter the serial number, which is printed on the back of each unit. Program the zone to use sensor group 26 and ensure the Fire Verify reporting option is enabled.

MOUNTING (see IMAGE: 2 & 3)

Included with this device is a mounting bracket, hardware and double sided tape. To ensure proper operation ensure the side of the device with the small holes is directly facing the sounder holes on the smoke detector. Secure the mounting bracket to the wall or ceiling using the two mounting screws and double sided tape provided, then secure the audio detector to the mounting bracket using the small screw provided. **The detector must be mounted within 6 inches of the detector for optimal operation.**

WARNING: Non-interconnected smoke detectors require an audio detector by each smoke detector sounder.

This equipment should be installed in accordance with Chapter 2 of the National Fire Alarm Code, ANSI/NFPA 72, (National Fire Protection Association, Batterymarch Park, Quincy, MA 02269). Printed information describing proper installation, operation, testing, maintenance, evacuation planning, and repair service is to be provided with this equipment. Warning: Owner's instruction notice: 'Not to be removed by anyone except occupant'.

TESTING (see IMAGE: 1)

To test the RF transmission from the mounted position you can either generate a tamper by removing the cover or press the learn button within the device. This will send a signal to the control panel. To test the audio detection, press and hold the smoke detector test button. If you have enabled the Fire Verify reporting option, the sensor will need to stay in alarm for at least one minute for the panel to verify it as an alarm and communicate to the central station. Ensure the cover is on during this test and that you wear hearing protection.

NOTE: This system must be checked by a qualified technician at least once every three (3) years. Please test the unit once per week to ensure proper functionality.

LED

The detector is equipped with a multi-color LED. When a valid audio signal is heard the LED will turn yellow and flash in sequence to the smoke detector sounder. When the detector has determined the audio signal heard is a valid alarm, the LED will turn red to indicate it has transmitted to the panel. It will also turn red when the case is opened to indicate a tamper transmission to the control panel. On power up the LED will also flash red then green as part of its power up cycle.

Insert Battery = One RED blink, then one GREEN blink

In frequency sound detected = Flash YELLOW for the duration of that sound

Fire Alarm detected = Solid RED for 3 seconds, then blink RED when tone detected

Tamper = Solid RED for three second

Learn button pressed = Solid GREEN for 3 seconds

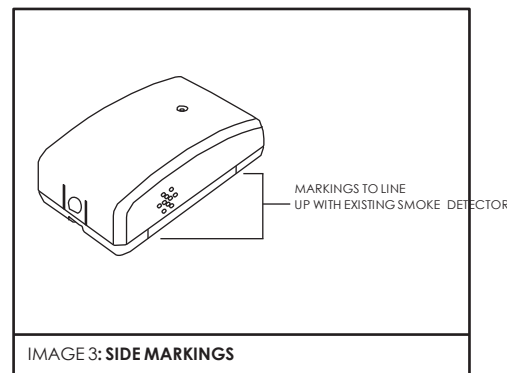
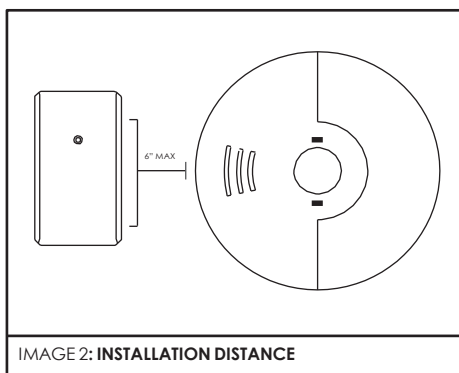
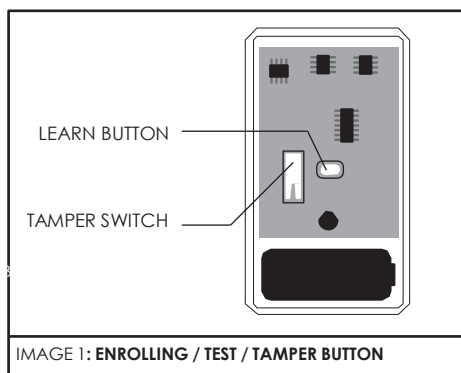
REPLACING THE BATTERY

When the battery is low a signal will be sent to the control panel. To replace the battery:

1. Remove the top cover to reveal the battery. This will send a tamper signal to the control panel.
2. Replace with a Panasonic CR123A battery ensuring the + side of the battery faces as indicated on the device.
3. Re-attach the cover, you should hear a click when the cover engages properly.

WARNING: While the audio detector monitors its own battery, it does not monitor the battery in the smoke detectors. Batteries should be

changed as per the original smoke detector manufacturer's instructions. Always test the audio detector and smoke alarms after battery installation to confirm proper operation



FCC COMPLIANCE STATEMENT

This equipment has been tested and found to comply with the limits for Class B digital devices, pursuant to Part 15 of the FCC Rules. These limits are designed to provide reasonable protection against harmful interference in a residential installation. This equipment generates uses and can radiate radio frequency energy and, if not installed and used in accordance with the instruction manual, may cause harmful interference to radio communications. However, there is no guarantee that interference will not occur in a particular installation. If this equipment does cause harmful interference to radio or television reception, which can be determined by turning the equipment off and on, the user is encouraged to try to correct the interference by one or more of the following measures:

- Re-orient or relocate the receiving antenna
- Increase the separation between the equipment and receiver
- Connect the equipment to an outlet on a different circuit from the receiver
- Consult the dealer or an experienced radio/TV contractor for help.

WARNING: Changes or modifications not expressly approved by Ecolink could void the user's authority to operate the equipment.

This device complies with Industry Canada license-exempt RSS standard(s). Operation is subject to the following two conditions: (1) this device may not cause interference, and (2) this device must accept any interference, including interference that may cause undesired operation of the device.

Cet appareil est conforme la norme d'Industrie Canada exempts de licence RSS. Son fonctionnement est soumis aux deux conditions suivantes: (1) cet appareil ne peut pas provoquer d'interférences, et (2) cet appareil doit accepter toute interférence, y compris les interférences qui peuvent causer un mauvais fonctionnement de la dispositif.

FCC ID: XQC-WST601 IC:9863B-WST601

WARRANTY

Ecolink warrants that for a period of 2 years from the date of purchase that this product is free from defects in material and workmanship. This warranty does not apply to damage caused by shipping or handling, or damage caused by accident, abuse, misuse, misapplication, ordinary wear, improper maintenance, failure to follow instructions or as a result of any unauthorized modifications. If there is a defect in materials and workmanship under normal use within the warranty period Ecolink shall, at its option, repair or replace the defective equipment upon return of the equipment to the original point of purchase. The foregoing warranty shall apply only to the original buyer, and is and shall be in lieu of any and all other warranties, whether expressed or implied and of all other obligations or liabilities on the part of Ecolink neither assumes responsibility for, nor authorizes any other person purporting to act on its behalf to modify or to change this warranty, nor to assume for it any other warranty or liability concerning this product. The maximum liability for Ecolink under all circumstances for any warranty issue shall be limited to a replacement of the defective product. It is recommended that the customer check their equipment on a regular basis for proper operation.

THE LIABILITY OF ECOLINK, OR ANY OF ITS PARENT OR SUBSIDIARY CORPORATIONS ARISING FROM THE SALE OF THIS SMOKE ALARM DETECTOR OR UNDER THE TERMS OF THIS LIMITED WARRANTY SHALL NOT IN ANY CASE EXCEED THE COST OF REPLACEMENT OF A SMOKE ALARM DETECTOR AND, IN NO CASE, SHALL ECOLINK, OR ANY OF ITS PARENT OR SUBSIDIARY CORPORATIONS BE LIABLE FOR CONSEQUENTIAL LOSSES OR DAMAGES RESULTING FROM THE FAILURE OF THE SMOKE ALARM DETECTOR OR FOR BREACH OF THIS OR ANY OTHER WARRANTY, EXPRESS OR IMPLIED, EVEN IF THE LOSS OR DAMAGE IS CAUSED BY THE COMPANY'S NEGLIGENCE OR FAULT.

The audio detector does not detect the presence of smoke, heat, or fire directly. It relies solely on the presence of an audio alarm signal generated by an existing smoke or fire detector in proximity to the audio detector to make such a determination. The audio detector must be used with smoke detectors certified according to UL Standards, and in strict accordance with the installation and operation instructions provided with such detectors. It is the owner's responsibility to ensure that smoke or fire detectors used in conjunction with the audio detector are maintained and tested on a regular basis in accordance with the manufacturer's instructions. Ecolink expressly disclaims any responsibility for the failure of the audio detector to detect the presence of smoke or fire due to the failure of any smoke or fire detector used in conjunction with the audio detector to operate properly due to any condition, including improper installation, operation, maintenance or testing of such smoke or fire detector.



Ecolink Intelligent
Technology, Inc.
2055 Corte Del Nogal
Carlsbad, CA
855-432-6546

PN WST-601 R1.00
REV DATE: 5/20/14
patent pending