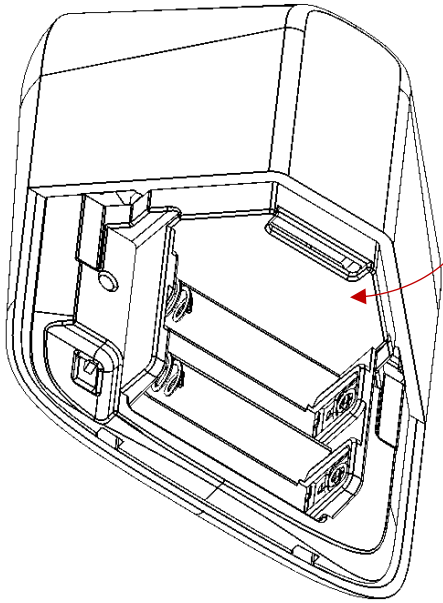


CS-732 Motion Sensor
FCC Label location
02/08/2019



FCC/IC & QR Label
32 x 17mm

| | | |
|---|--|---|
| ⊖ | Ecolink intelligent technology | ⊕ |
| | Model#: CS-732 |  |
| | Made in Taiwan | |
| | FCCID: XQC-CS732 | |
| | IC: 9863B-CS732 | 18AB11 |
| ⊖ | | ⊕ |