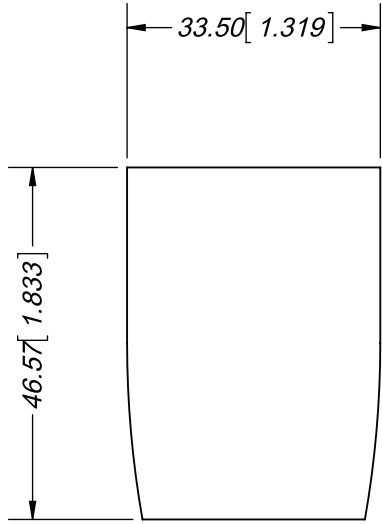


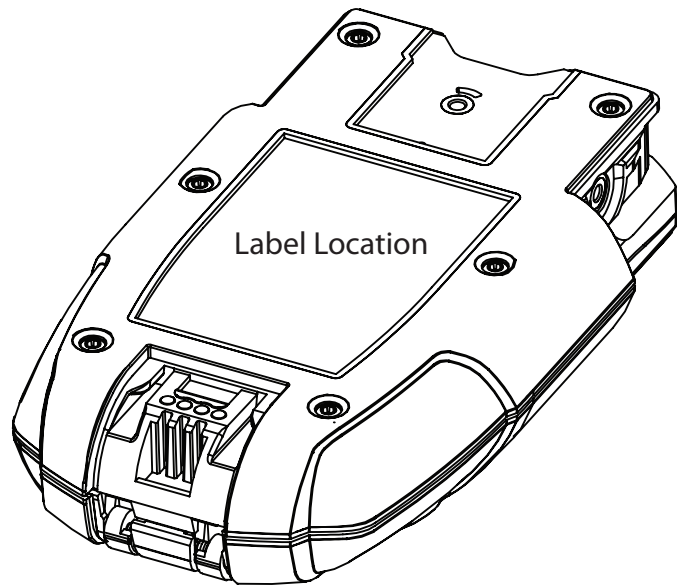
The label will be printed with the following information:

G7c
 FCC ID: W77G7C
 IC: 8255A-G7C
 Contains FCC ID: XPY1CGM5NNN
 Contains IC: 8595A-1CGM5NNN
 Model G7C
 Unit ID - [unique number]

G7c NA2
 FCC ID: W77G7C2
 IC: 8255A-G7C2
 Contains FCC ID: XPYUBX21BE01
 Contains IC: 8595A-UBX21BE01
 Model G7C-NA2
 Unit ID - [unique number]



Label



ECO №	DESCRIPTION	DWN	CHKD	CHKD DATE	REV
	1st Release G7c			June 9, 2017	Rev 1
	Add "Contains" to Industry Canada note			Jun 13, 2017	Rev 2
	Add additional FCC and IC identification numbers			Oct 23, 2018	Rev 3
	Remove indication for marketing variations			Nov 1, 2018	Rev 4
	Add information for model G7c NA2			Nov 5, 2019	Rev 5
	Modify information for model G7c NA2			Mar 16, 2023	Rev 6

Notes:

PROPRIETARY AND CONFIDENTIAL: The information contained in this drawing is the sole property of Blackline GPS Inc. Any reproduction in part or as a whole without the written permission of Blackline GPS Inc. is prohibited.	UNLESS OTHERWISE STATED: All dimensions are in millimeters.	DWN: Barry Moore	9-June-2017
	TOLERANCES ON DECIMALS: 1 Place ± 0.30 2 Place ± 0.15 Angles ± 0.5	G7c label FCC requirement	
	THIRD ANGLE:	Drawing № / File Name: G7c_label_FCCr5 .pdf	
	DRAWING STANDARDS: CAN3-B78-1-M83 CAN/CSA-B78.2-M91	SCALE: 1:1	SIZE: A