



FCC 47 CFR PART 15 SUBPART B & IC ICES-003 TEST REPORT

for

Module

MODEL: SARA-G310

Test Report Number:
T130724W03-D

Issued for

u-blox AG

Zuercherstrasse 68, 8800 Thalwil, Switzerland

Issued By:

Compliance Certification Services Inc.

Wugu Laboratory

No.11, Wugong 6th Rd., Wugu Dist.,
New Taipei City 24891, Taiwan. (R.O.C.)

TEL: 886-2-2299-9720

FAX: 886-2-2299-9721

E-Mail: service@ccsrf.com

Issued Date: August 2, 2013



Note: This report shall not be reproduced except in full, without the written approval of Compliance Certification Services Inc. This document may be altered or revised by Compliance Certification Services Inc. personnel only, and shall be noted in the revision section of the document. The client should not use it to claim product endorsement by TAF, A2LA, NIST or any government agencies. The test results in the report only apply to the tested sample.



Revision History

Rev.	Issue Date	Revisions	Effect Page	Revised By
00	August 2, 2013	Initial Issue	ALL	Kelly Cheng



TABLE OF CONTENTS

1	TEST RESULT CERTIFICATION	4
2	EUT DESCRIPTION.....	5
3	TEST METHODOLOGY.....	6
3.1.	DECISION OF FINAL TEST MODE	6
3.2.	EUT SYSTEM OPERATION	6
4	SETUP OF EQUIPMENT UNDER TEST	7
4.1.	DESCRIPTION OF SUPPORT UNITS.....	7
4.2.	CONFIGURATION OF SYSTEM UNDER TEST.....	8
5	FACILITIES AND ACCREDITATIONS	9
5.1.	FACILITIES	9
5.2.	ACCREDITATIONS.....	9
5.3.	MEASUREMENT UNCERTAINTY	10
6	CONDUCTED EMISSION MEASUREMENT	11
6.1.	LIMITS OF CONDUCTED EMISSION MEASUREMENT	11
6.2.	TEST INSTRUMENTS	11
6.3.	TEST PROCEDURES	12
6.4.	TEST SETUP	13
6.5.	DATA SAMPLE:	13
6.6.	TEST RESULTS.....	14
7	RADIATED EMISSION MEASUREMENT	16
7.1.	LIMITS OF RADIATED EMISSION MEASUREMENT	16
7.2.	TEST INSTRUMENTS	18
7.3.	TEST PROCEDURES	19
7.4.	TEST SETUP	20
7.5.	DATA SAMPLE	21
7.6.	TEST RESULTS.....	22
8	PHOTOGRAPHS OF THE TEST CONFIGURATION.....	34



1 TEST RESULT CERTIFICATION

Product:	Module
Model:	SARA-G310
Brand:	u-blox
Applicant:	u-blox AG Zuercherstrasse 68, 8800 Thalwil, Switzerland
Manufacturer:	u-blox AG Zuercherstrasse 68, 8800 Thalwil, Switzerland
Tested:	January 26 ~ August 02, 2013
Test Voltage:	120VAC, 60Hz

EMISSION			
Standard	Item	Result	Remarks
FCC 47 CFR Part 15 Subpart B, ICES-003 Issue 5-2012 ANSI C63.4-2009	Conducted (Power Port)	PASS	Meet Class B limit
	Radiated	PASS	Meet Class B limit

Note: 1. The statements of test result on the above are decided by the request of test standard only; the measurement uncertainties are not factored into this compliance determination.
 2. The information of measurement uncertainty is available upon the customer's request.

Deviation from Applicable Standard
None

The above equipment has been tested by Compliance Certification Services Inc., and found compliance with the requirements set forth in the technical standards mentioned above. The results of testing in this report apply only to the product/system, which was tested. Other similar equipment will not necessarily produce the same results due to production tolerance and measurement uncertainties.

Approved by:

Gary Wu
Section Manager

Reviewed by:

Gina Lo
Section Manager



2 EUT DESCRIPTION

Product	Module		
Brand Name	u-blox		
Model	SARA-G310		
Applicant	u-blox AG		
Identify Number	T130724W03		
Received Date	July 24, 2013		
EUT Power Rating	Powered from Power Adapter		
Power Adapter Manufacturer	GOOBAY	Model	NTS 30W Eup5-12
Power Adapter Power Rating	For NTS 30W Eup5-12 I/P: 100-240V, 800mA, 50-60Hz O/P: 5 ~12V, 4A~2.50A		
AC Power Cord Type	Unshielded, 1.8m (Detachable) with a core at Power Adapter		
DC Power Cable Type	Unshielded, 1.8m (Detachable) to Power Adapter		

I/O Port

I/O PORT TYPES	Q'TY	TESTED WITH
1. Single Port	1	1

Remark: Client consigns only one sample to test (model number: SARA-G310). Therefore, the testing Lab. just guarantees the unit, which has been tested.



3 TEST METHODOLOGY

3.1. DECISION OF FINAL TEST MODE

1. The following test modes were scanned during the preliminary test:

Pre-Test Mode
Mode 1: Normal Operation GSM 900
Mode 2: Normal Operation GSM 1800
Mode 3: Normal Operation IDLE

2. After the preliminary scan, the following test mode was found to produce the highest emission level.

Final Test Mode		
Emission	Conducted Emission	Mode 1
	Radiated Emission	Mode 1-3

Then, the above highest emission mode of the configuration of the EUT and cable was chosen for all final test items.

3.2. EUT SYSTEM OPERATION

1. Setup the EUT and simulators as shown on 4.2.
2. Turn on the power of all equipment.
3. Turn on the Terminal and Enter the script.
4. Receiving analog base station 2G connection and sustained action.
5. Adjust to the test mode and begin the test.

Note: Test program is self-repeating throughout the test.



4 SETUP OF EQUIPMENT UNDER TEST

4.1. DESCRIPTION OF SUPPORT UNITS

The EUT has been tested as an independent unit together with other necessary accessories or support units. The following support units or accessories were used to form a representative test configuration during the tests.

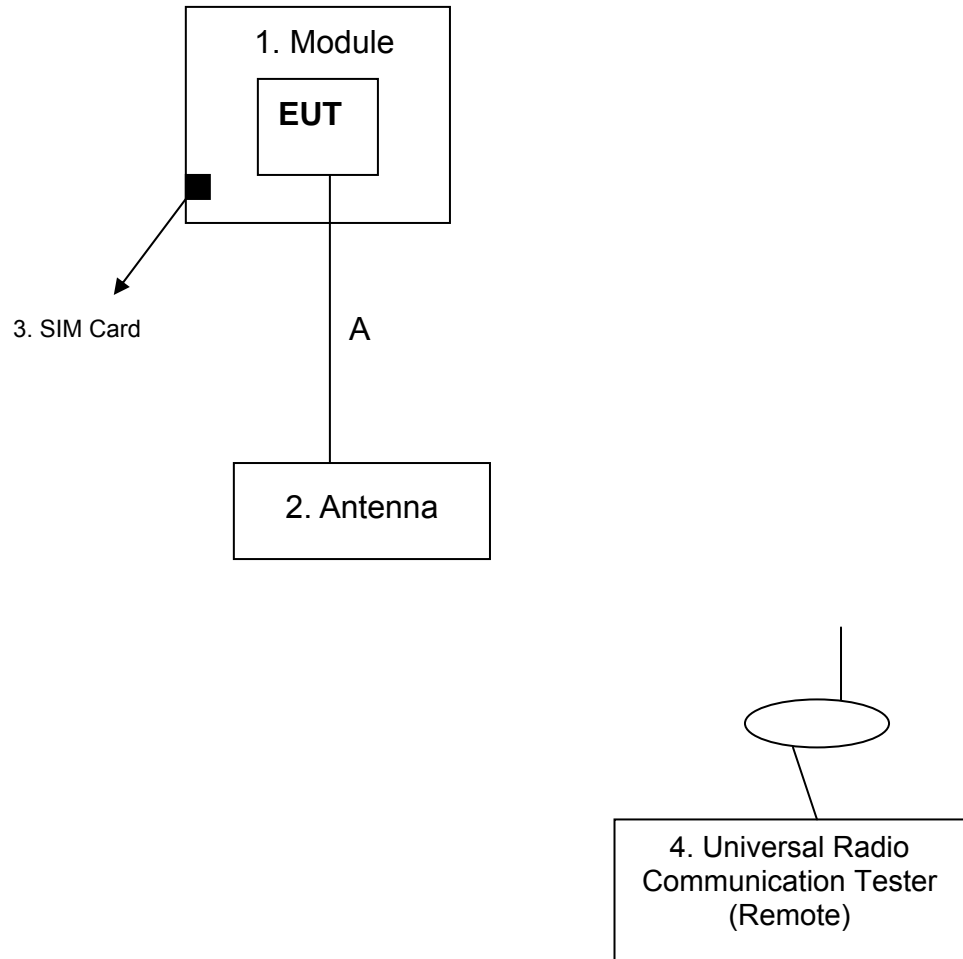
No.	Equipment	Trade Name	Model No.	Serial No.	FCC ID	Power Cord
1.	Module	UBlox	N/A	N/A	N/A	N/A
2.	GSM Antenna	N/A	N/A	N/A	N/A	N/A
3.	SIM Card	N/A	N/A	N/A	N/A	N/A
4.	Universal Radio Communication Tester (Remote)	R&S	CMU200	101245	N/A	Unshielded, 1.8m

No.	Cable Name	Unit	Shielded	Length	With Core
(A)	Single Cable	1	<input checked="" type="checkbox"/> Shielded, <input type="checkbox"/> Non	1.8 m	<input type="checkbox"/> With Core <input checked="" type="checkbox"/> ___, <input type="checkbox"/> Non

Note: Grounding was established in accordance with the manufacturer's requirements and conditions for the intended use.



4.2. CONFIGURATION OF SYSTEM UNDER TEST





5 FACILITIES AND ACCREDITATIONS

5.1. FACILITIES

All measurement facilities used to collect the measurement data are located at:

- No.11, Wugong 6th Rd., Wugu Dist., New Taipei City 24891, Taiwan. (R.O.C.)
- No.139, Wugong Rd., Wugu Dist., New Taipei City 24891, Taiwan (R.O.C.)
- No.81-1, Lane 210, Bade 2nd Rd., Lujhu Township, Taoyuan County 33841, TAIWAN, R.O.C.
- No.163-1, Jhongsheng Rd., Sindian City, Taipei County 23151, Taiwan.

The sites are constructed in conformance with the requirements of ANSI C63.4 and CISPR 22. All receiving equipment conforms to CISPR 16-1-1, CISPR 16-1-2, CISPR 16-1-3, CISPR 16-1-4, CISPR 16-1-5.

5.2. ACCREDITATIONS

Our laboratories are accredited and approved by the following approval agencies according to ISO/IEC 17025.

Taiwan	TAF (TAF 1309)
USA	A2LA (0824.01)

The measuring facility of laboratories has been authorized or registered by the following approval agencies.

Canada	Industry Canada (3M Semi Anechoic Chamber: IC 2324G-1 / IC 2324G-2 / 2324J-1 / 2324J-2 to perform)
Norway	Nemko
Japan	VCCI 966 Chamber C: Radiated emissions: 30 MHz -1000 MHz: R-3282 / Above 1GHz: G-146 10M Chamber: Radiated emissions: 30 MHz -1000 MHz: R-3283 / Above 1GHz: G-147 Conducted Emission B: C-3700 / T-1839
USA	FCC (3M Semi Anechoic Chamber (FCC MRA: TW1039) to perform FCC Part 15 measurements)

Copies of granted accreditation certificates are available for downloading from our web site, <http://www.ccsrf.com>



5.3. MEASUREMENT UNCERTAINTY

Where relevant, the following measurement uncertainty levels have been estimated for tests performed on the EUT as specified in CISPR 16-4-2:

Measurement	Frequency	Uncertainty
Conducted emissions	9kHz~30MHz	± 1.2575 dB
Radiated emissions	30~200MHz	± 3.9163 dB
	200~1000MHz	± 3.9030 dB
	Above 1GHz	± 2.5208 dB

This uncertainty represents an expanded uncertainty expressed at approximately the 95% confidence level using a coverage factor of $k=2$.

Consistent with industry standard (e.g. CISPR 22:2008, clause 11, Measurement Uncertainty) determining compliance with the limits shall be based on the results of the compliance measurement. Consequently the measured emissions being less than the maximum allowed emission result in this being a compliant test or passing test.

The acceptable measurement uncertainty value without requiring revision of the compliance statement is based on conducted and radiated emissions being less than U_{CISPR} which is 3.6dB and 5.2dB respectively. CCS values (called U_{Lab} in CISPR 16-4-2) is less than U_{CISPR} as shown in the table above. Therefore, MU need not be considered for compliance.



6 CONDUCTED EMISSION MEASUREMENT

6.1. LIMITS OF CONDUCTED EMISSION MEASUREMENT

FREQUENCY (MHz)	Class A (dBuV)		Class B (dBuV)	
	Quasi-peak	Average	Quasi-peak	Average
0.15 - 0.5	79	66	66 - 56	56 - 46
0.50 - 5.0	73	60	56	46
5.0 - 30.0	73	60	60	50

NOTE:

- (1) The lower limit shall apply at the transition frequencies.
- (2) The limit decreases in line with the logarithm of the frequency in the range 0.15 to 0.50 MHz.
- (3) All emanations from a class A/B digital device or system, including any network of conductors and apparatus connected thereto, shall not exceed the level of field strengths specified above.

6.2. TEST INSTRUMENTS

Conducted Emission Room # B				
Name of Equipment	Manufacturer	Model	Serial Number	Calibration Due
EMI Test Receiver	R&S	ESCI	101073	07/31/2013
LISN	R&S	ENV216	101054	06/05/2014
LISN	SCHWARZBECK	NSLK 8127	8127-541	12/10/2013
Capacitive Voltage Probe	FCC	F-CVP-1	100185	03/24/2014
Test S/W	CCS-3A1-CE			

Note:

1. The calibration interval of the above test instruments is 12 months and the calibrations are traceable to NML/ROC and NIST/USA.



6.3. TEST PROCEDURES (please refer to measurement standard or CCS SOP PA-031)

Procedure of Preliminary Test

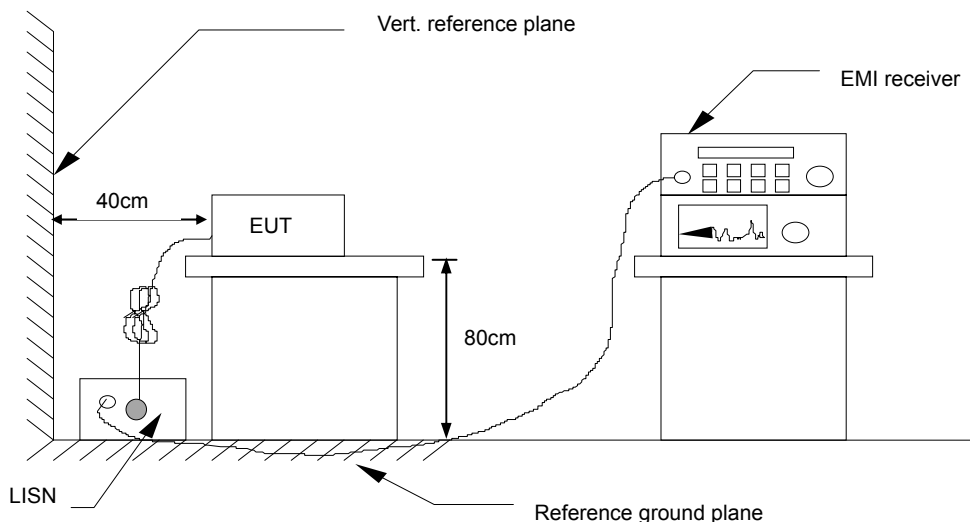
- The EUT and support equipment, if needed, were set up as per the test configuration to simulate typical usage per the user's manual. When the EUT is a tabletop system, a wooden table with a height of 0.8 meters is used and is placed on the ground plane as per ANSI C63.4 (see Test Facility for the dimensions of the ground plane used). When the EUT is a floor standing equipment, it is placed on the ground plane, which has a 12 mm non-conductive covering to insulate the EUT from the ground plane.
- All I/O cables were positioned to simulate typical actual usage as per ANSI C63.4.
- The test equipment EUT installed by AC 120VAC/60Hz main power, through a Line Impedance Stabilization Network (LISN), which was supplied power source and was grounded to the ground plane.
- All support equipment power by from a second LISN.
- The test program of the EUT was started. Emissions were measured on each current carrying line of the EUT using an EMI Test Receiver connected to the LISN powering the EUT.
- The Receiver scanned from 150kHz to 30MHz for emissions in each of the test modes.
- During the above scans, the emissions were maximized by cable manipulation.
- The test mode(s) described in Item 3.1 were scanned during the preliminary test.
- After the preliminary scan, we found the test mode described in Item 3.1 producing the highest emission level.
- The worst configuration of EUT and cable of the above highest emission level were recorded for reference of the final test.

Procedure of Final Test

- EUT and support equipment were set up on the test bench as per the configuration with highest emission level in the preliminary test.
- A scan was taken on both power lines, Line 1 and Line 2, recording at least the six highest emissions. Emission frequency and amplitude were recorded into a computer in which correction factors were used to calculate the emission level and compare reading to the applicable limit.
- The test data of the worst-case condition(s) was recorded.



6.4. TEST SETUP



- For the actual test configuration, please refer to the related item – Photographs of the Test Configuration.

6.5. DATA SAMPLE:

Frequency (MHz)	QuasiPeak reading (dBuV)	Average reading (dBuV)	Correcrtion factor (dB)	QuasiPeak result (dBuV)	Average result (dBuV)	QuasiPeak. limit (dBuV)	Average limit (dBuV)	QuasiPeak margin (dB)	Average margin (dB)	Remark
x.xx	43.95	33.00	10.00	53.95	43.00	56.00	46.00	-2.05	-3.00	Pass

Frequency (MHz)

= Emission frequency in MHz

Reading (dBuV)

= Uncorrected Analyzer/Receiver reading + Insertion loss of LISN, if it > 0.5 dB

Correction Factor (dB) = LISN Factor + Cable Loss

Result (dBuV)

= Raw reading converted to dBuV and CF added

Limit (dBuV)

= Limit stated in standard

Margin (dB)

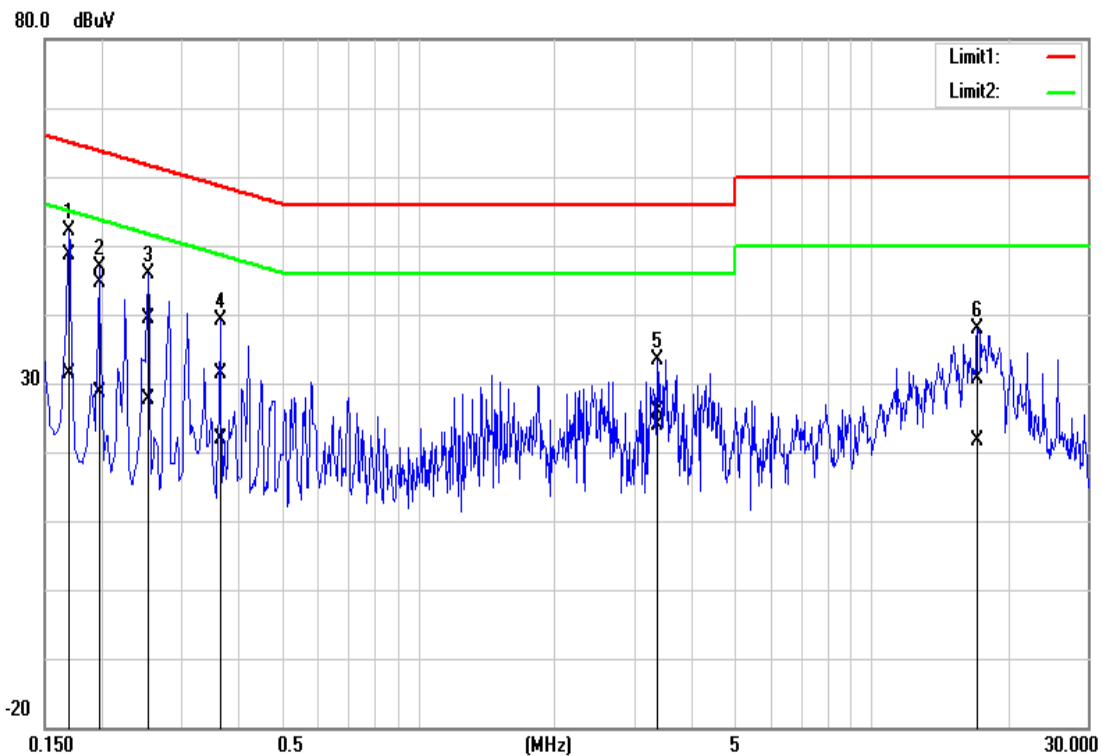
= Result (dBuV) – Limit (dBuV)



6.6. TEST RESULTS

CCS Conduction Test

Model No.	SARA-G310	Test Date	2013/1/26
Environmental Conditions	24°C, 50% RH	Test Mode	Mode 1
Tested by	Moore Cheng	Line	L1



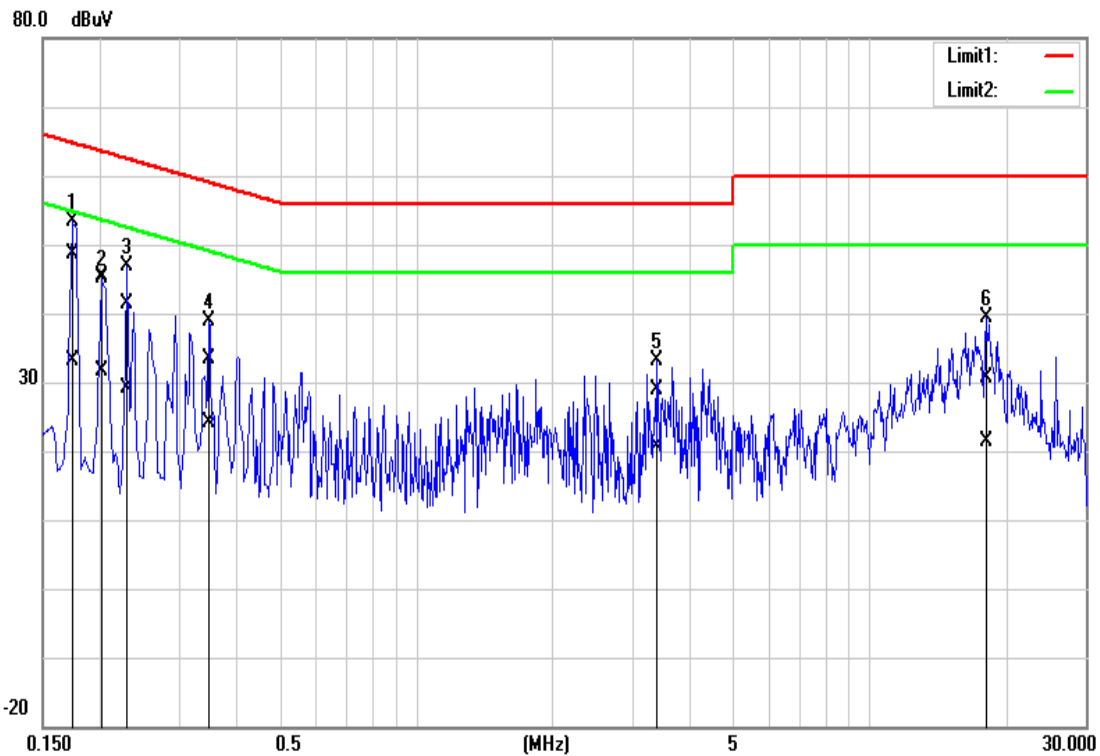
NO.	Frequency (MHz)	QuasiPeak reading (dBuV)	Average reading (dBuV)	Correction factor (dB)	QuasiPeak result (dBuV)	Average result (dBuV)	QuasiPeak limit (dBuV)	Average limit (dBuV)	QuasiPeak margin (dB)	Average margin (dB)	Remark (Pass/Fail)
1	0.1689	38.67	21.40	9.87	48.54	31.27	65.01	55.01	-16.47	-23.74	Pass
2	0.1995	34.70	18.88	9.87	44.57	28.75	63.63	53.63	-19.06	-24.88	Pass
3	0.2530	29.50	17.72	9.88	39.38	27.60	61.65	51.66	-22.27	-24.06	Pass
4	0.3620	21.52	12.05	9.88	31.40	21.93	58.68	48.68	-27.28	-26.75	Pass
5	3.3787	15.95	13.80	9.99	25.94	23.79	56.00	46.00	-30.06	-22.21	Pass
6	17.1556	20.29	11.22	10.32	30.61	21.54	60.00	50.00	-29.39	-28.46	Pass

REMARKS: L1 = Line One (Live Line)



CCS Conduction Test

Model No.	SARA-G310	Test Date	2013/1/26
Environmental Conditions	24°C, 50% RH	Test Mode	Mode 1
Tested by	Moore Cheng	Line	L2



NO.	Frequency (MHz)	QuasiPeak reading (dBuV)	Average reading (dBuV)	Correction factor (dB)	QuasiPeak result (dBuV)	Average result (dBuV)	QuasiPeak limit (dBuV)	Average limit (dBuV)	QuasiPeak margin (dB)	Average margin (dB)	Remark (Pass/Fail)
1	0.1740	38.99	23.49	9.63	48.62	33.12	64.76	54.77	-16.14	-21.65	Pass
2	0.2020	35.81	22.07	9.64	45.45	31.71	63.52	53.53	-18.07	-21.82	Pass
3	0.2300	31.84	19.54	9.64	41.48	29.18	62.45	52.45	-20.97	-23.27	Pass
4	0.3500	23.61	14.38	9.65	33.26	24.03	58.96	48.96	-25.70	-24.93	Pass
5	3.4060	19.17	10.87	9.78	28.95	20.65	56.00	46.00	-27.05	-25.35	Pass
6	18.0620	20.52	11.05	10.23	30.75	21.28	60.00	50.00	-29.25	-28.72	Pass

REMARKS: L2 = Line Two (Neutral Line)



7 RADIATED EMISSION MEASUREMENT

7.1. LIMITS OF RADIATED EMISSION MEASUREMENT

According to FCC Part 15.33 (b), for an unintentional radiator, including a digital device, the spectrum shall be investigated from the lowest radio frequency signal generated or used in the device, without going below the lowest frequency for which a radiated emission limit is specified, up to the frequency shown in the following table:

Highest frequency generated or used in the device or on which the device operates or tunes (MHz)	Upper frequency of measurement range (MHz)
Below 1.75	30
1.75-108	1000
108-500	2000
500-1000	5000
Above 1000	5 th harmonic of the highest frequency or 40GHz, whichever is lower

Below 1GHz (for digital device)

FREQUENCY (MHz)	dBuV/m (At 10m)	
	Class A	Class B
30 ~ 230	40	30
230 ~ 1000	47	37

Limit tables for non-digital device:

Class A Radiated Emission limit at 10m (for others)

Frequency (MHz)	Field Strength Limit (uV/m)Q.P.	Field Strength Limit (dBuV/m)Q.P.
30 - 88	90	39
88 - 216	150	43.5
216 – 960	210	46.4
Above 960	300	49.5

Class B Radiated Emission limit at 3m (for others)

Frequency (MHz)	Field Strength Limit (uV/m)Q.P.	Field Strength Limit (dBuV/m)Q.P.
30 - 88	100	40
88 - 216	150	43.5
216 – 960	200	46
Above 960	500	54

**Above 1GHz (for all device)**

Frequency (MHZ)	Class A (dBuV/m) (At 10m)		Class B (dBuV/m) (At 3m)	
	Average	Peak	Average	Peak
Above 1000	49.5	69.5	54	74

- NOTE:** (1) The lower limit shall apply at the transition frequencies.
(2) Emission level (dBuV/m) = 20 log Emission level (uV/m).
(3) The measurement above 1GHz is at close-in distances 3m, and determine the limit **L2** corresponding to the close-in distance **d2** by applying the following relation: $L2 = L1 (d1/d2)$, where **L1** is the specified limit in microvolts per metre (**uV/m**) at the distance **d1** (**10m**), **L2** is the new limit for distance **d2** (**3m**).
So the new Class A limit above 1GHz at 3m is as following table:

Frequency (MHZ)	Class A (dBuV/m) (At 3m)	
	Average	Peak
Above 1000	60	80



7.2. TEST INSTRUMENTS

Wugu 10M Chamber				
Name of Equipment	Manufacturer	Model	Serial Number	Calibration Due
Spectrum Analyzer	Agilent	E4446A	MY48250297	10/04/2013
EMI Test Receiver	R&S	ESCI	100961	09/02/2013
EMI Test Receiver	R&S	ESCI	100962	09/02/2013
Pre-Amplifier	HP	8447D	2944A07754	06/05/2014
Pre-Amplifier	HP	8447D	2944A08150	06/05/2014
Pre-Amplifier	EMC	EMC012645	980056	05/09/2014
Pre-Amplifier	MITEQ	AMF-6F-260400-40-8P	985646	08/06/2013
Bilog Antenna	TESEQ	CBL 6112D	31674	10/01/2013
Bilog Antenna	TESEQ	CBL 6112D	31675	10/01/2013
Horn Antenna	EMCO	3117	55167	01/09/2014
Horn Antenna	EMCO	3116	26370	01/07/2014
Coaxial Cable	Huber+Suhner	104PEA	33948/4PEA	05/09/2014
Coaxial Cable	Huber+Suhner	104PEA	33949/4PEA	05/09/2014
Coaxial Cable	Huber+Suhner	104	330026/4	05/09/2014
Coaxial Cable	Huber+Suhner	104	330029/4	05/09/2014
Coaxial Cable	Huber+Suhner	104	329382/4	05/09/2014
Coaxial Cable	Huber+Suhner	104	330028/4	05/09/2014
Turn Table	CCS	CC-T-1F	N/A	N.C.R
Antenna Tower	CCS	CC-A-1F	N/A	N.C.R
Controller	CCS	CC-C-1F	N/A	N.C.R
Antenna Tower	Sunol Sciences	TLT2	031010-5	N.C.R.
Controller	Sunol Sciences	SC104V	031010-1	N.C.R.
Site NSA	CCS	N/A	N/A	11/04/2013
Site VSWR	CCS	N/A	N/A	12/02/2013
Test S/W	EZ-EMC (CCS-3A1RE)			

NOTE: 1. The calibration interval of the above test instruments is 12 months and the calibrations are traceable to NML/ROC and NIST/USA.
 2. N.C.R = No Calibration Request.



7.3. TEST PROCEDURES (please refer to measurement standard or CCS SOP PA-031)

The basic test procedure was in accordance with ANSI C63.4-2009 and ICES-003: 2004.

Frequency range 30MHz ~ 1GHz

1. The EUT was placed on the top of a rotating table 0.8 meters above the ground at a 10 meter semi-anechoic chamber room. The table was rotated 360 degrees to determine the position.
2. The EUT was set 10 meters away from the interference-receiving antenna, which was mounted on the top of a variable-height antenna tower.
3. The height of antenna is varied from one meter to four meter above the ground to determine the maximum value of the field strength. Both horizontal and vertical polarizations of the antenna are set to make the measurement.
4. For each suspected emission, the EUT was arranged to its worst case and then the antenna was turned to heights for 1 meter to 4 meters and the turn table was turned from 0 degrees to 360 degrees to find the maximum reading.
5. The test-receiver system was set to quasi-peak detect function and specified bandwidth with maximum hold mode when the test frequency is below 1GHz.

NOTE: The resolution bandwidth of test receiver/spectrum analyzer is 120kHz for Quasi-peak detection (QP) at frequency below 1GHz.

Frequency range above 1GHz

1. The EUT was placed on the top of a rotating table 0.8 meters above the ground at a 3 meter semi-anechoic chamber room. The table was rotated 360 degrees to determine the position.
2. The EUT was set 3 meters away from the directional antenna, which was pointed towards the source of the emission within the EUT. This could be done by either pointing the antenna at an angle towards the source of the emission, or by rotating the EUT, in both height and polarization, to maximize the measured emission.
3. The height of antenna can be varied from one meter to four meters, the height of adjustment depends on the EUT height and the antenna 3 dB beamwidth both, to detect the maximum value of the field strength. Both horizontal and vertical polarizations of the antenna are set to make the measurement.
4. For each suspected emission, the EUT was arranged to its worst case and then the antenna was turned to heights and the rotatable table was turned from 0 degrees to 360 degrees to find the maximum reading.
5. The test-receiver system was set to peak and average detect function and specified bandwidth with maximum hold mode when the test frequency is above 1GHz.

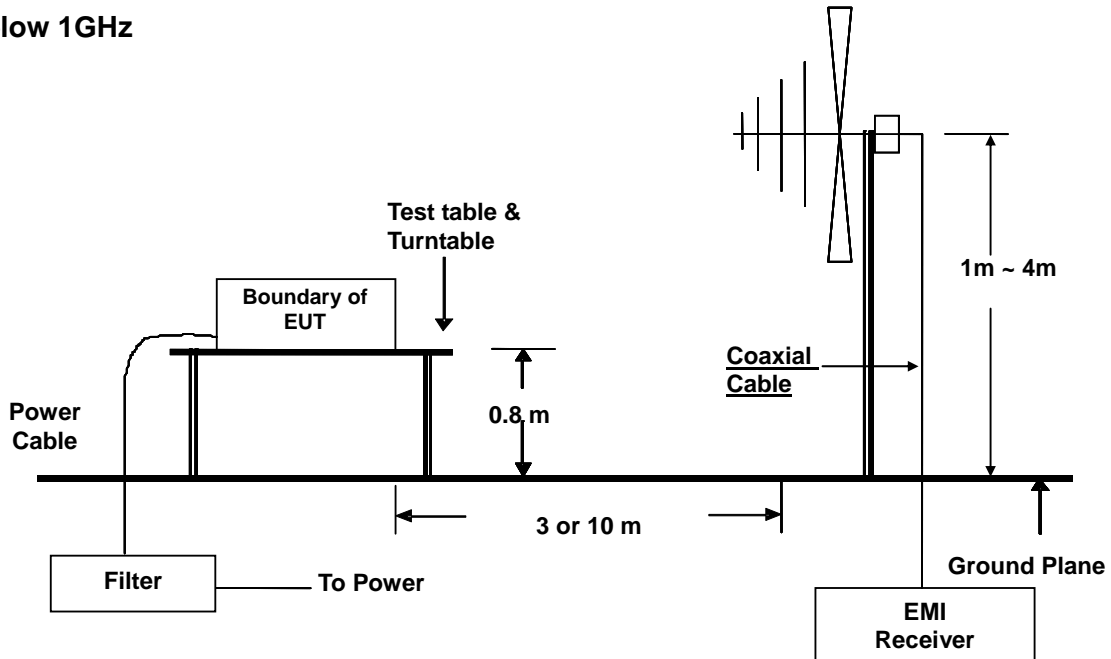
NOTE:

1. The resolution bandwidth is 1MHz and video bandwidth of test spectrum analyzer is 1 MHz for peak detection at above 1GHz. The resolution bandwidth is 1MHz and video bandwidth of test spectrum analyzer is 100Hz for average detection at frequency above 1 GHz.
2. For measurement of frequency above 1GHz, the EUT was set 3 meters away from the directional antenna.

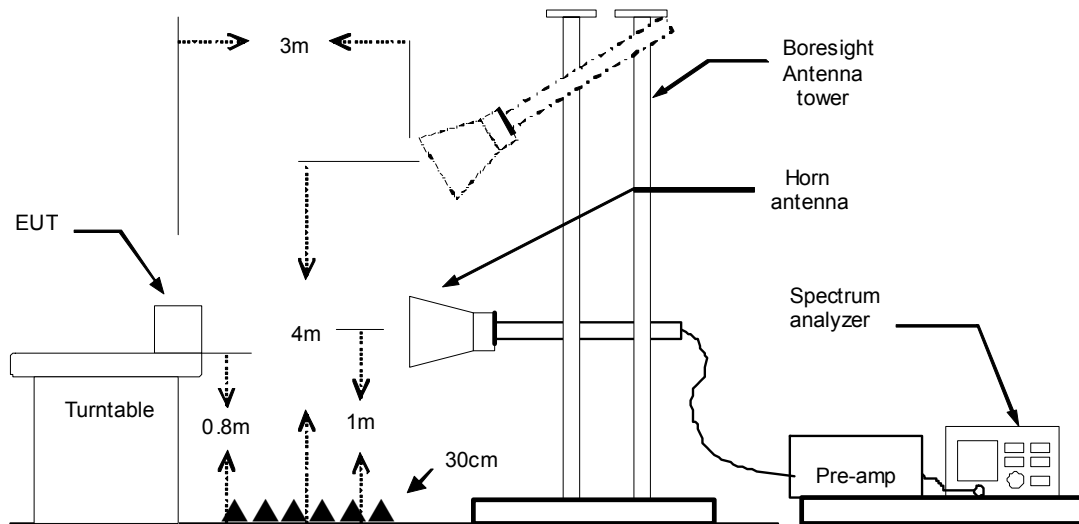


7.4. TEST SETUP

Below 1GHz



Above 1GHz



- For the actual test configuration, please refer to the related item – Photographs of the Test Configuration.



7.5. DATA SAMPLE

Below 1GHz

Frequency (MHz)	Reading (dBuV)	Correction Factor (dB/m)	Result (dBuV/m)	Limit (dBuV/m)	Margin (dB)	Height (cm)	Degree (°)	Remark
xx.xx	16.49	9.86	26.35	30.00	-3.65	116.00	101.00	QP

Above 1GHz

Frequency (MHz)	Reading (dBuV)	Correction Factor(dB/m)	Result (dBuV/m)	Limit (dBuV/m)	Margin (dB)	Height (cm)	Degree (°)	Remark
xx.xx	60.80	-14.59	46.21	74.00	-27.79	200	351	peak
xx.xx	52.05	-13.17	38.88	54.00	-15.12	200	135	AVG

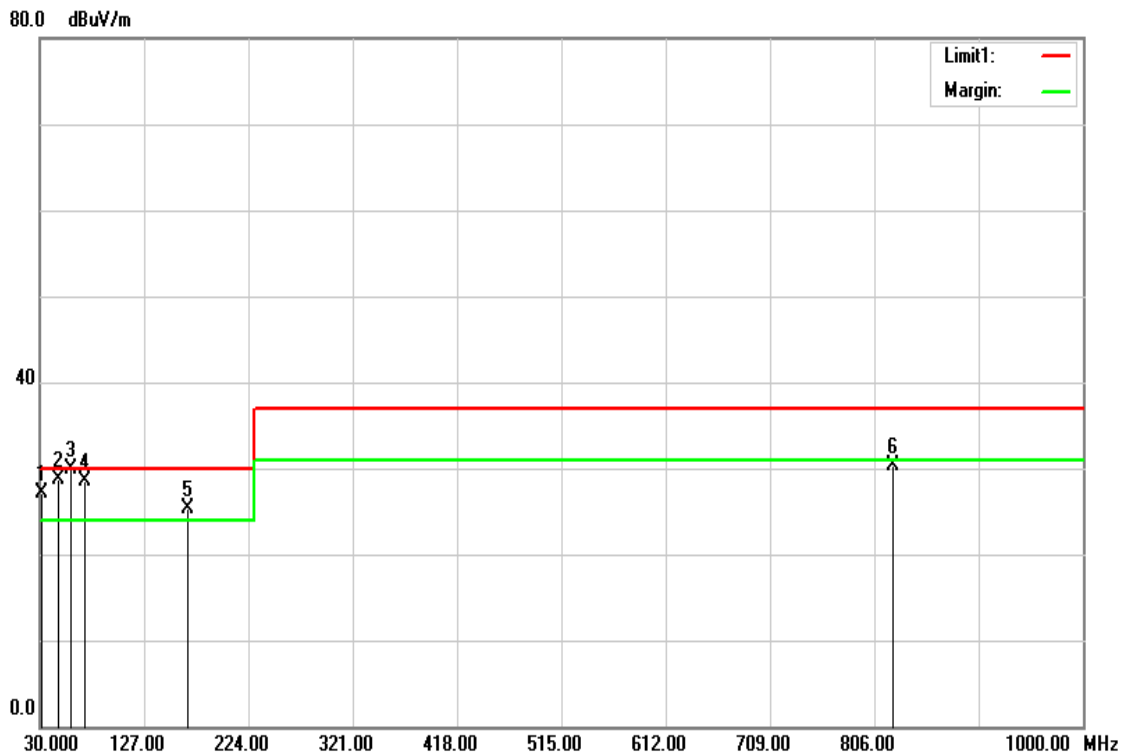
- Frequency (MHz) = Emission frequency in MHz
- Reading (dBuV) = Uncorrected Analyzer / Receiver reading
- Correction Factor (dB/m) = Antenna factor + Cable loss – Amplifier gain
- Result (dBuV/m) = Reading (dBuV) + Corr. Factor (dB/m)
- Limit (dBuV/m) = Limit stated in standard
- Margin (dB) = Result (dBuV/m) – Limit (dBuV/m)
- Q.P. = Quasi-Peak



7.6. TEST RESULTS

Below 1000MHz

Model No.	SARA-G310	Test Mode	Mode 1
Environmental Conditions	26°C, 60% RH	Test Date	2013/7/30
Antenna Pole	Vertical	Antenna Distance	10m
Detector Function:	Quasi-peak.	Tested by	Moore Cheng
Standard	FCC CLASS B W/ CISPR 22 CLASS B LIMIT		



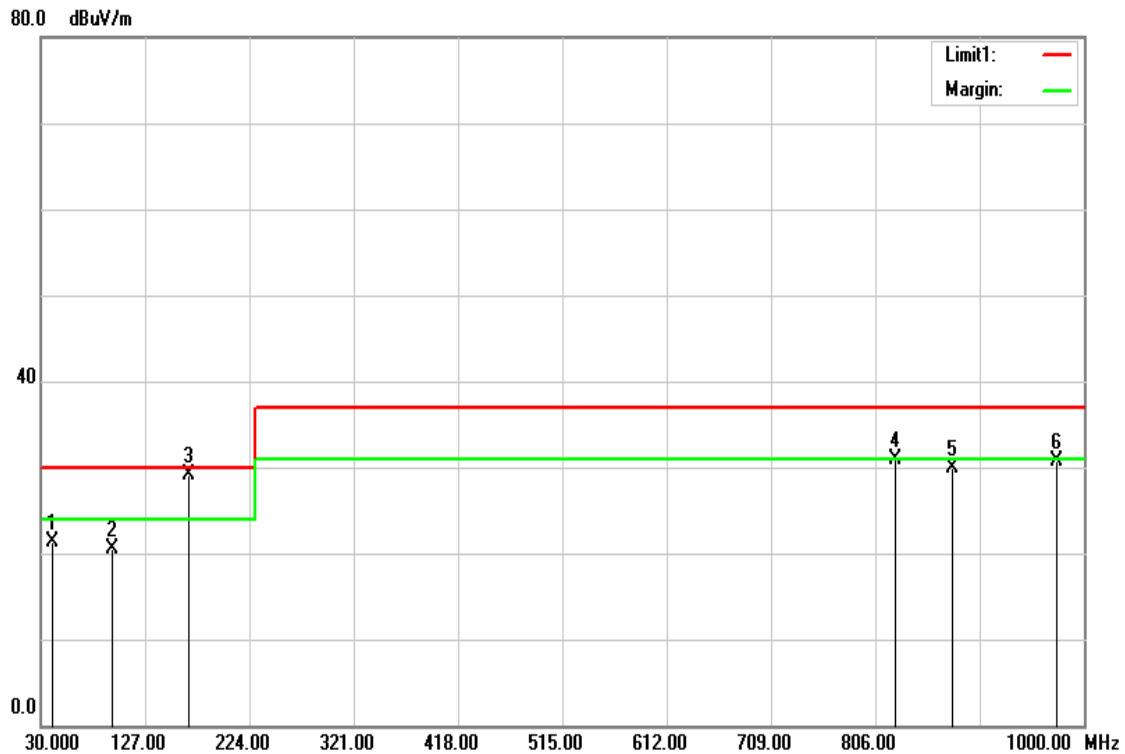
No.	Frequency (MHz)	Reading (dBuV)	Correction Factor(dB/m)	Result (dBuV/m)	Limit (dBuV/m)	Margin (dB)	Height (cm)	Degree (°)	Remark
1	31.9400	36.72	-9.64	27.08	30.00	-2.92	100	89	QP
2	47.4600	45.90	-17.20	28.70	30.00	-1.30	100	358	QP
3	59.1000	49.31	-19.50	29.81	30.00	-0.19	399	1	QP
4	71.7100	47.77	-19.22	28.55	30.00	-1.45	214	0	QP
5	167.7400	40.28	-14.95	25.33	30.00	-4.67	100	240	QP
6	823.4600	32.55	-2.27	30.28	37.00	-6.72	214	0	QP

REMARKS: 1. The other emission levels were very low against the limit.
 2. 30MHz to 1000MHz test is Applicable CISPR 22 standard.



Below 1000MHz

Model No.	SARA-G310	Test Mode	Mode 1
Environmental Conditions	26°C, 60% RH	Test Date	2013/7/30
Antenna Pole	Horizontal	Antenna Distance	10m
Detector Function:	Quasi-peak.	Tested by	Moore Cheng
Standard	FCC CLASS B W/ CISPR 22 CLASS B LIMIT		



No.	Frequency (MHz)	Reading (dBuV)	Correction Factor(dB/m)	Result (dBuV/m)	Limit (dBuV/m)	Margin (dB)	Height (cm)	Degree (°)	Remark
1	40.6700	35.78	-14.42	21.36	30.00	-8.64	399	0	QP
2	95.9600	36.25	-15.78	20.47	30.00	-9.53	400	114	QP
3	167.7400	44.54	-15.52	29.02	30.00	-0.98	400	270	QP
4	824.4300	34.13	-3.16	30.97	37.00	-6.03	100	1	QP
5	877.7800	32.36	-2.52	29.84	37.00	-7.16	400	260	QP
6	974.7800	31.78	-1.06	30.72	37.00	-6.28	399	0	QP

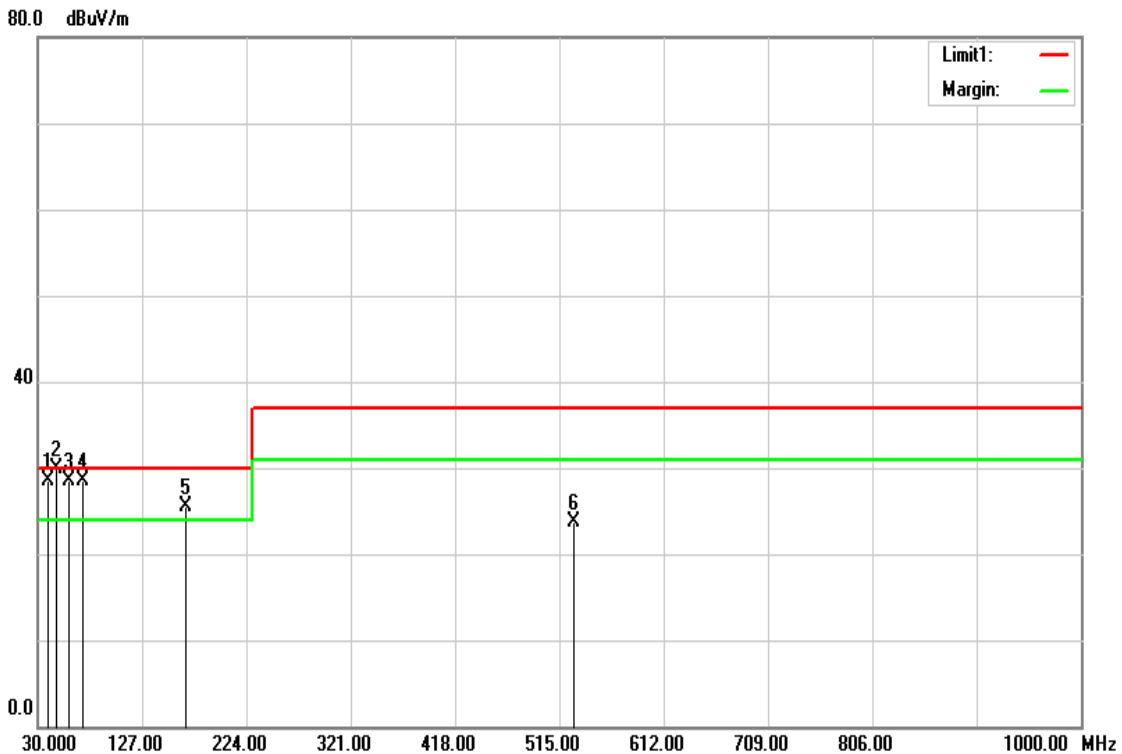
REMARKS:

1. The other emission levels were very low against the limit.
2. 30MHz to 1000MHz test is Applicable CISPR 22 standard.



Below 1000MHz

Model No.	SARA-G310	Test Mode	Mode 2
Environmental Conditions	26°C, 60% RH	Test Date	2013/7/30
Antenna Pole	Vertical	Antenna Distance	10m
Detector Function:	Quasi-peak.	Tested by	Moore Cheng
Standard	FCC CLASS B W/ CISPR 22 CLASS B LIMIT		



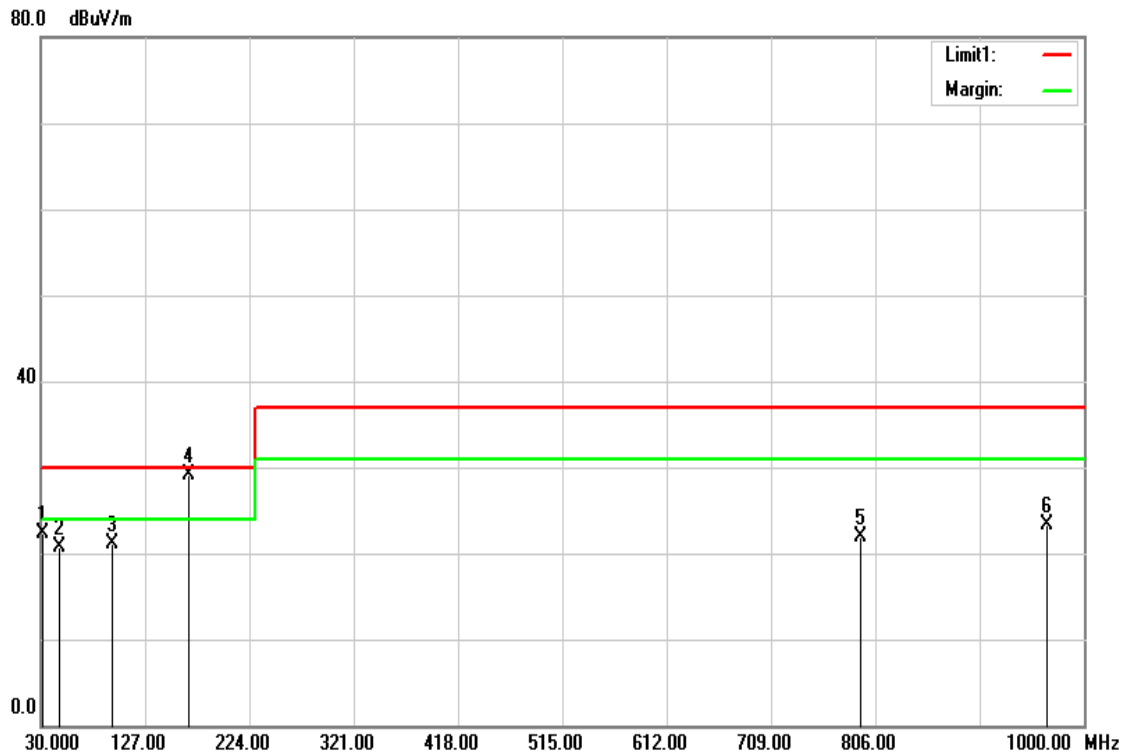
No.	Frequency (MHz)	Reading (dBuV)	Correction Factor(dB/m)	Result (dBuV/m)	Limit (dBuV/m)	Margin (dB)	Height (cm)	Degree (°)	Remark
1	39.7000	36.37	-7.78	28.59	30.00	-1.41	100	61	QP
2	47.4600	47.06	-17.20	29.86	30.00	-0.14	100	356	QP
3	59.1000	48.00	-19.50	28.50	30.00	-1.50	279	0	QP
4	71.7100	47.67	-19.22	28.45	30.00	-1.55	100	331	QP
5	167.7400	40.44	-14.95	25.49	30.00	-4.51	100	196	QP
6	528.5800	29.15	-5.41	23.74	37.00	-13.26	100	304	QP

REMARKS: 1. The other emission levels were very low against the limit.
2. 30MHz to 1000MHz test is Applicable CISPR 22 standard.



Below 1000MHz

Model No.	SARA-G310	Test Mode	Mode 2
Environmental Conditions	26°C, 60% RH	Test Date	2013/7/30
Antenna Pole	Horizontal	Antenna Distance	10m
Detector Function:	Quasi-peak.	Tested by	Moore Cheng
Standard	FCC CLASS B W/ CISPR 22 CLASS B LIMIT		



No.	Frequency (MHz)	Reading (dBuV)	Correction Factor(dB/m)	Result (dBuV/m)	Limit (dBuV/m)	Margin (dB)	Height (cm)	Degree (°)	Remark
1	31.9400	31.69	-9.39	22.30	30.00	-7.70	400	88	QP
2	47.4600	38.40	-17.61	20.79	30.00	-9.21	400	169	QP
3	95.9600	36.97	-15.78	21.19	30.00	-8.81	400	108	QP
4	167.7400	44.58	-15.52	29.06	30.00	-0.94	400	237	QP
5	792.4200	25.41	-3.41	22.00	37.00	-15.00	400	74	QP
6	966.0500	24.52	-1.20	23.32	37.00	-13.68	100	331	QP

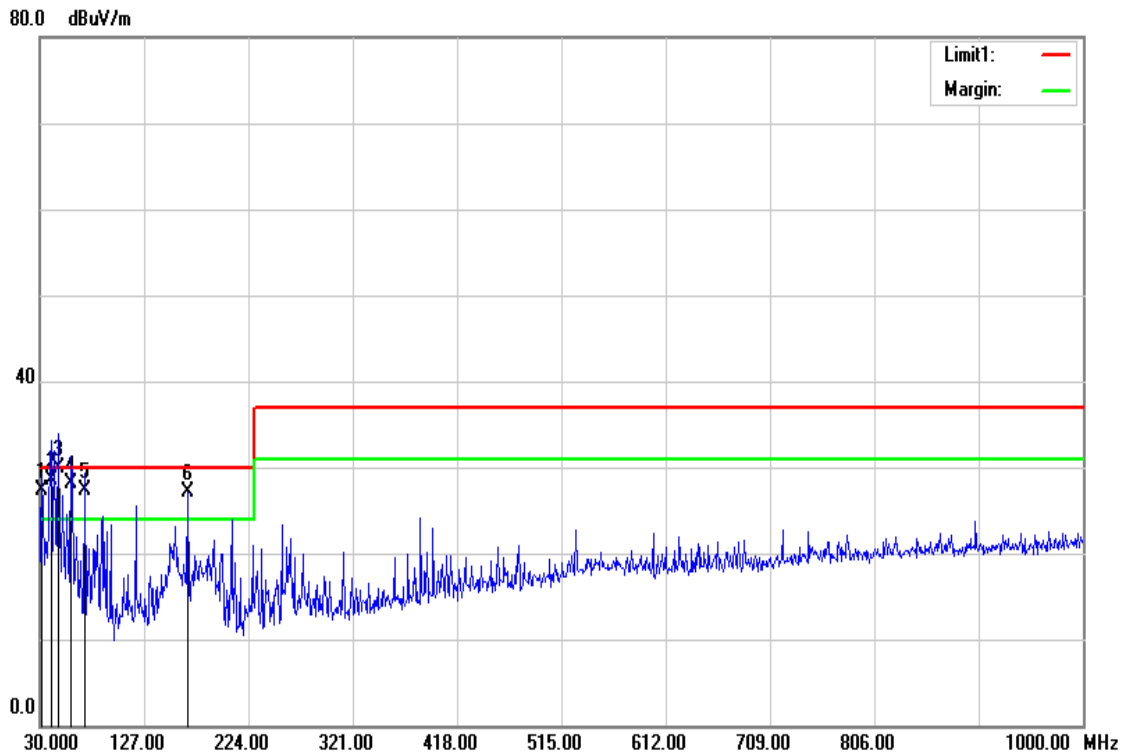
REMARKS:

1. The other emission levels were very low against the limit.
2. 30MHz to 1000MHz test is Applicable CISPR 22 standard.



Below 1000MHz

Model No.	SARA-G310	Test Mode	Mode 3
Environmental Conditions	26°C, 60% RH	Test Date	2013/7/30
Antenna Pole	Vertical	Antenna Distance	10m
Detector Function:	Quasi-peak.	Tested by	Moore Cheng
Standard	FCC CLASS B W/ CISPR 22 CLASS B LIMIT		



No.	Frequency (MHz)	Reading (dBuV)	Correction Factor(dB/m)	Result (dBuV/m)	Limit (dBuV/m)	Margin (dB)	Height (cm)	Degree (°)	Remark
1	31.9400	36.88	-9.64	27.24	30.00	-2.76	100	205	QP
2	40.6700	37.24	-8.73	28.51	30.00	-1.49	100	1	QP
3	47.4600	47.07	-17.20	29.87	30.00	-0.13	136	360	QP
4	59.1000	47.70	-19.50	28.20	30.00	-1.80	300	0	QP
5	71.7100	46.58	-19.22	27.36	30.00	-2.64	200	0	QP
6	167.7400	42.00	-14.95	27.05	30.00	-2.95	100	275	QP

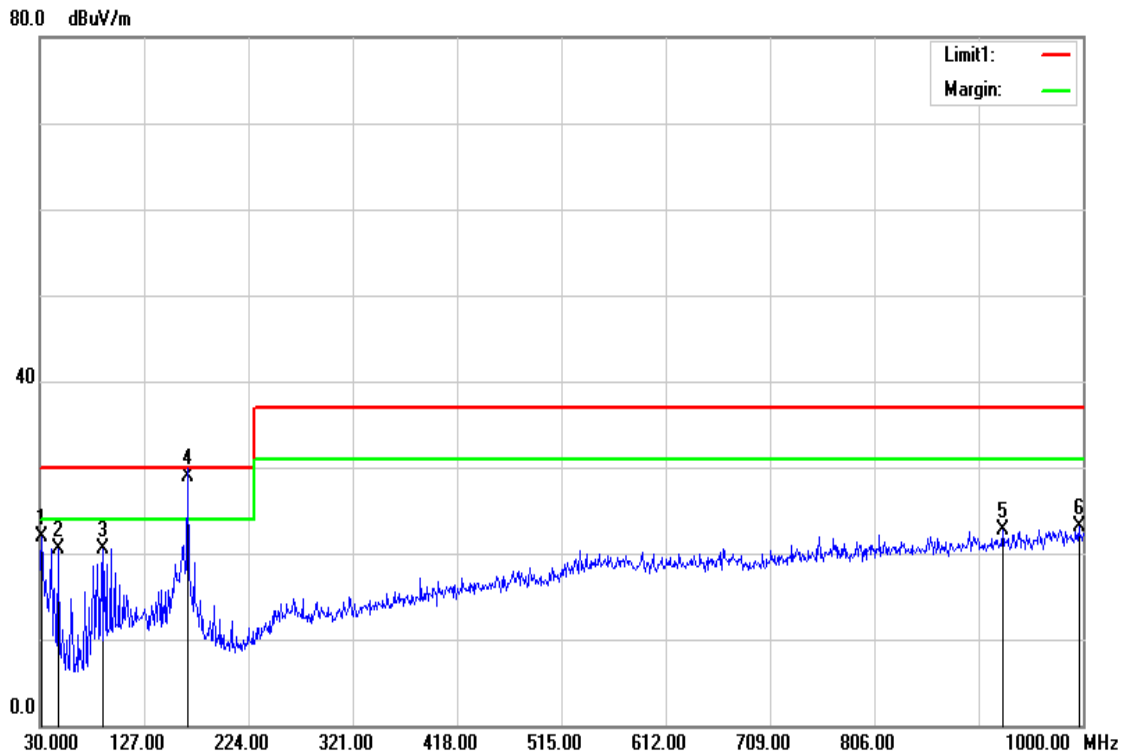
REMARKS:

1. The other emission levels were very low against the limit.
2. 30MHz to 1000MHz test is Applicable CISPR 22 standard.



Below 1000MHz

Model No.	SARA-G310	Test Mode	Mode 3
Environmental Conditions	26°C, 60% RH	Test Date	2013/7/30
Antenna Pole	Horizontal	Antenna Distance	10m
Detector Function:	Quasi-peak.	Tested by	Moore Cheng
Standard	FCC CLASS B W/ CISPR 22 CLASS B LIMIT		



No.	Frequency (MHz)	Reading (dBuV)	Correction Factor(dB/m)	Result (dBuV/m)	Limit (dBuV/m)	Margin (dB)	Height (cm)	Degree (°)	Remark
1	31.9400	31.32	-9.39	21.93	30.00	-8.07	300	86	QP
2	47.4600	38.06	-17.61	20.45	30.00	-9.55	400	169	QP
3	89.1700	37.61	-17.04	20.57	30.00	-9.43	300	121	QP
4	167.7400	44.50	-15.52	28.98	30.00	-1.02	400	280	QP
5	925.3100	24.59	-1.84	22.75	37.00	-14.25	200	69	QP
6	996.1200	23.76	-0.66	23.10	37.00	-13.90	400	205	QP

REMARKS:

1. The other emission levels were very low against the limit.
2. 30MHz to 1000MHz test is Applicable CISPR 22 standard.



Above 1000MHz

Model No.	SARA-G310	Test Mode	Mode 1
Environmental Conditions	26°C, 60% RH	Test Date	2013/8/2
Antenna Pole	Vertical	Antenna Distance	3m
Highest frequency generated or used	1900MHz	Upper frequency	9500MHz
Detector Function:	Average & Peak	Tested by	Moore Cheng

No.	Frequency (MHz)	Reading (dBuV)	Correction Factor(dB/m)	Result (dBuV/m)	Limit (dBuV/m)	Margin (dB)	Height (cm)	Degree (°)	Remark
1	2011.500	58.00	-16.79	41.21	74.00	-32.79	100	230	peak
2	4927.000	58.58	-13.12	45.46	74.00	-28.54	100	25	peak
3	6780.000	57.57	-10.32	47.25	74.00	-26.75	202	67	peak
4	8497.000	57.00	-8.80	48.20	74.00	-25.80	100	303	peak
5	10188.500	56.52	-6.13	50.39	74.00	-23.61	202	209	peak
6	11871.500	55.43	-4.50	50.93	74.00	-23.07	105	0	peak

REMARKS:

1. The other emission levels were very low against the limit.
2. Margin (dB) = Result (dBuV/m) – Limit (dBuV/m)



Compliance Certification Services Inc.

FCC ID: XPYSARAG350

IC: 8595A-SARAG350

Report No: T130724W03-D

Model No.	SARA-G310	Test Mode	Mode 1
Environmental Conditions	26°C, 60% RH	Test Date	2013/8/2
Antenna Pole	Horizontal	Antenna Distance	3m
Highest frequency generated or used	1900MHz	Upper frequency	9500MHz
Detector Function:	Average & Peak	Tested by	Moore Cheng

No.	Frequency (MHz)	Reading (dBuV)	Correction Factor(dB/m)	Result (dBuV/m)	Limit (dBuV/m)	Margin (dB)	Height (cm)	Degree (°)	Remark
1	2139.000	57.66	-16.49	41.17	74.00	-32.83	202	360	peak
2	4374.500	57.99	-13.51	44.48	74.00	-29.52	100	55	peak
3	6414.500	58.30	-10.57	47.73	74.00	-26.27	100	55	peak
4	8531.000	56.49	-8.74	47.75	74.00	-26.25	100	179	peak
5	10154.500	56.29	-6.16	50.13	74.00	-23.87	100	145	peak
6	11803.500	55.49	-4.51	50.98	74.00	-23.02	202	3	peak

REMARKS:

1. The other emission levels were very low against the limit.
2. Margin (dB) = Result (dBuV/m) – Limit (dBuV/m)



Above 1000MHz

Model No.	SARA-G310	Test Mode	Mode 2
Environmental Conditions	26°C, 60% RH	Test Date	2013/8/2
Antenna Pole	Vertical	Antenna Distance	3m
Highest frequency generated or used	1900MHz	Upper frequency	9500MHz
Detector Function:	Average & Peak	Tested by	Moore Cheng

No.	Frequency (MHz)	Reading (dBuV)	Correction Factor(dB/m)	Result (dBuV/m)	Limit (dBuV/m)	Margin (dB)	Height (cm)	Degree (°)	Remark
1	2283.500	57.56	-16.14	41.42	74.00	-32.58	202	306	peak
2	4247.000	58.00	-13.76	44.24	74.00	-29.76	202	192	peak
3	6057.500	58.70	-11.39	47.31	74.00	-26.69	100	167	peak
4	7740.500	58.17	-9.26	48.91	74.00	-25.09	100	42	peak
5	10103.500	56.07	-6.19	49.88	74.00	-24.12	100	275	peak
6	11769.500	55.39	-4.51	50.88	74.00	-23.12	100	286	peak

REMARKS:

1. The other emission levels were very low against the limit.
2. Margin (dB) = Result (dBuV/m) – Limit (dBuV/m)



Compliance Certification Services Inc.

FCC ID: XPYSARAG350

IC: 8595A-SARAG350

Report No: T130724W03-D

Model No.	SARA-G310	Test Mode	Mode 2
Environmental Conditions	26°C, 60% RH	Test Date	2013/8/2
Antenna Pole	Horizontal	Antenna Distance	3m
Highest frequency generated or used	1900MHz	Upper frequency	9500MHz
Detector Function:	Average & Peak	Tested by	Moore Cheng

No.	Frequency (MHz)	Reading (dBuV)	Correction Factor(dB/m)	Result (dBuV/m)	Limit (dBuV/m)	Margin (dB)	Height (cm)	Degree (°)	Remark
1	2207.000	59.03	-16.33	42.70	74.00	-31.30	202	124	peak
2	4374.500	58.46	-13.51	44.95	74.00	-29.05	187	0	peak
3	6227.500	57.76	-10.99	46.77	74.00	-27.23	100	94	peak
4	7766.000	58.26	-9.21	49.05	74.00	-24.95	202	62	peak
5	10188.500	56.12	-6.13	49.99	74.00	-24.01	202	272	peak
6	11752.500	55.20	-4.50	50.70	74.00	-23.30	100	354	peak

REMARKS:

1. The other emission levels were very low against the limit.
2. Margin (dB) = Result (dBuV/m) – Limit (dBuV/m)



Above 1000MHz

Model No.	SARA-G310	Test Mode	Mode 3
Environmental Conditions	26°C, 60% RH	Test Date	2013/7/30
Antenna Pole	Vertical	Antenna Distance	3m
Highest frequency generated or used	1900MHz	Upper frequency	9500MHz
Detector Function:	Average & Peak	Tested by	Moore Cheng

No.	Frequency (MHz)	Reading (dBuV)	Correction Factor(dB/m)	Result (dBuV/m)	Limit (dBuV/m)	Margin (dB)	Height (cm)	Degree (°)	Remark
1	12509.000	56.20	-2.70	53.50	74.00	-20.50	100	357	peak
2	12509.000	45.24	-2.70	42.54	54.00	-11.46	100	357	AVG
3	14387.500	55.77	-2.76	53.01	74.00	-20.99	100	348	peak
4	14387.500	44.91	-2.76	42.15	54.00	-11.85	100	348	AVG
5	15033.500	57.05	-0.82	56.23	74.00	-17.77	100	82	peak
6	15033.500	46.13	-0.82	45.31	54.00	-8.69	100	82	AVG
7	15943.000	55.85	-0.07	55.78	74.00	-18.22	100	200	peak
8	15943.000	44.98	-0.07	44.91	54.00	-9.09	100	200	AVG
9	16759.000	54.92	0.84	55.76	74.00	-18.24	100	189	peak
10	16759.000	43.99	0.84	44.83	54.00	-9.17	100	189	AVG
11	17396.500	54.90	0.94	55.84	74.00	-18.16	100	230	peak
12	17396.500	44.12	0.94	45.06	54.00	-8.94	100	230	AVG

REMARKS:

1. The other emission levels were very low against the limit.
2. Margin (dB) = Result (dBuV/m) – Limit (dBuV/m)



Compliance Certification Services Inc.

FCC ID: XPYSARAG350

IC: 8595A-SARAG350

Report No: T130724W03-D

Model No.	SARA-G310	Test Mode	Mode 3
Environmental Conditions	26°C, 60% RH	Test Date	2013/7/30
Antenna Pole	Horizontal	Antenna Distance	3m
Highest frequency generated or used	1900MHz	Upper frequency	9500MHz
Detector Function:	Average & Peak	Tested by	Moore Cheng

No.	Frequency (MHz)	Reading (dBuV)	Correction Factor(dB/m)	Result (dBuV/m)	Limit (dBuV/m)	Margin (dB)	Height (cm)	Degree (°)	Remark
1	12543.000	54.98	-2.72	52.26	74.00	-21.74	100	84	peak
2	12543.000	44.26	-2.72	41.54	54.00	-12.46	100	84	AVG
3	14226.000	55.54	-3.12	52.42	74.00	-21.58	100	360	peak
4	14226.000	44.79	-3.12	41.67	54.00	-12.33	100	360	AVG
5	15084.500	55.51	-0.74	54.77	74.00	-19.23	100	23	peak
6	15084.500	44.63	-0.74	43.89	54.00	-10.11	100	23	AVG
7	15756.000	55.20	-0.11	55.09	74.00	-18.91	100	268	peak
8	15756.000	44.43	-0.11	44.32	54.00	-9.68	100	268	AVG
9	16563.500	54.29	0.77	55.06	74.00	-18.94	100	23	peak
10	16563.500	43.47	0.77	44.24	54.00	-9.76	100	23	AVG
11	17396.500	54.36	0.94	55.30	74.00	-18.70	100	356	peak
12	17396.500	43.53	0.94	44.47	54.00	-9.53	100	356	AVG

REMARKS:

1. The other emission levels were very low against the limit.
2. Margin (dB) = Result (dBuV/m) – Limit (dBuV/m)