

2.4GHz : Wi-Fi/BT External Whip Antenna



PRO-EX-333

Request Samples



Check Inventory



Ø10 x 83 mm

RoHS/RoHS II Compliant

MSL Level = 1

Features

- High Reliability/ Sensitivity
- Compact Size
- Easy to install
- ROHS Compliant

Applications

- WiFi/Bluetooth/ZigBee
- ISM Applications
- Wireless Communication System
- Network Devices
- Set top Boxes

Product Image



2.4GHz : Wi-Fi/BT External Whip Antenna



PRO-EX-333

Request Samples



Check Inventory



Ø10 x 83 mm

RoHS/RoHS II Compliant

MSL Level = 1

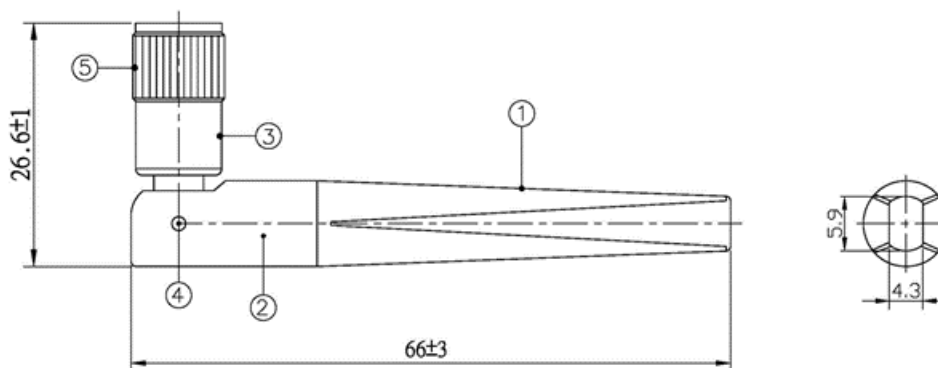
Electrical Specification

Parameter	Specification			Unit
	Min	Typ	Max	
Operating Frequency	2400		2485	MHz
Return Loss			-6	dB
Polarization	Linear			
Peak Gain			3	dBi
Impedance		50		Ω

Mechanical Specification

Parameter	Specification
Antenna Dimensions	Ø10 x 83 mm
Connector Type	RP-SMA (M)
Mounting Type	Connector
Operating Temperature	-40°C to +85°C

Product Dimensions



Unit: mm

ATTENTION: Abracon LLC's products are COTS – Commercial-Off-The-Shelf products; suitable for Commercial, Industrial and, where designated, Automotive Applications. Abracon's products are not specifically designed for Military, Aviation, Aerospace, Life-dependent Medical applications or any application requiring high reliability where component failure could result in loss of life and/or property. For applications requiring high reliability and/or presenting an extreme operating environment, written consent and authorization from Abracon LLC is required. Please contact Abracon LLC for more information.



5101 Hidden Creek Ln Spicewood TX 78669
 Phone: 512-371-6159 | Fax: 512-351-8858
 For terms and conditions of sales, please visit:
www.abracon.com

REVISED: 10-25-21

ABRACON IS
 ISO9001-2015
 CERTIFIED