

# FCC Measurement/Technical Report on

## NINA-B5

## NINA-B506 and NINA-B501

FCC ID XPYNINAB5  
IC: 8595A-NINAB5

**Test Report Reference:** MDE\_UBLOX\_2306\_FCC\_02

**Test Laboratory:**

7layers GmbH  
Borsigstrasse 11  
40880 Ratingen  
Germany



Deutsche  
Akkreditierungsstelle  
D-PL-12140-01-01  
D-PL-12140-01-02  
D-PL-12140-01-03

**Note:**

The following test results relate only to the devices specified in this document. This report shall not be reproduced in parts without the written approval of the test laboratory.

**7layers GmbH**  
Borsigstraße 11  
40880 Ratingen, Germany  
T +49 (0) 2102 749 0  
F +49 (0) 2102 749 350

Geschäftsführer/  
Managing Directors:  
Sebastian Doose  
Stefan Kischka  
Bernhard Retka

Registergericht/registered:  
Düsseldorf HRB 75554  
USt-Id.-Nr./VAT-No. DE203159652  
Steuer-Nr./TAX-No. 147/5869/0385

*a Bureau Veritas  
Group Company*

[www.7layers.com](http://www.7layers.com)

## Table of Contents

1.1	Applied Standards	3
1.2	FCC-IC Correlation Table	4
1.3	Measurement Summary	5
<b>2</b>	<b>Revision History / Signatures</b>	<b>8</b>
<b>3</b>	<b>Administrative Data</b>	<b>9</b>
3.1	Testing Laboratory	9
3.2	Project Data	9
3.3	Applicant Data	9
3.4	Manufacturer Data	9
<b>4</b>	<b>Test object Data</b>	<b>10</b>
4.1	General EUT Description	10
4.2	EUT Main components	11
4.3	Ancillary Equipment	11
4.4	Auxiliary Equipment	11
4.5	EUT Setups	12
4.6	Operating Modes / Test Channels	12
4.7	Product labelling	13
<b>5</b>	<b>Test Results</b>	<b>14</b>
5.1	Conducted Emissions at AC Mains	14
5.2	Occupied Bandwidth (6 dB)	17
5.3	Occupied Bandwidth (99%)	20
5.4	Peak Power Output	23
5.5	Spurious RF Conducted Emissions	28
5.6	Transmitter Spurious Radiated Emissions	32
5.7	Band Edge Compliance Conducted	43
5.8	Band Edge Compliance Radiated	47
5.9	Power Density	51
<b>6</b>	<b>Test Equipment</b>	<b>58</b>
6.1	Test Equipment Hardware	58
6.2	Test Equipment Software	62
<b>7</b>	<b>Antenna Factors, Cable Loss and Sample Calculations</b>	<b>63</b>
7.1	LISN R&S ESH3-Z5 (150 kHz – 30 MHz)	63
7.2	Antenna R&S HFH2-Z2 (9 kHz – 30 MHz)	64
7.3	Antenna R&S HL562 (30 MHz – 1 GHz)	65
7.4	Antenna R&S HF907 (1 GHz – 18 GHz)	66
7.5	Antenna EMCO 3160-09 (18 GHz – 26.5 GHz)	67
7.6	Antenna EMCO 3160-10 (26.5 GHz – 40 GHz)	68
<b>8</b>	<b>Measurement Uncertainties</b>	<b>69</b>
<b>9</b>	<b>Photo Report</b>	<b>70</b>
<b>Applied Standards and Test Summary</b>		

## 1.1 APPLIED STANDARDS

### **Type of Authorization**

Certification for an Intentional Radiator.

### **Applicable FCC Rules**

Prepared in accordance with the requirements of FCC Rules and Regulations as listed in 47 CFR Ch.1 Parts 2 and 15. The following subparts are applicable to the results in this test report.

Part 2, Subpart J - Equipment Authorization Procedures, Certification

Part 15, Subpart C – Intentional Radiators

§ 15.201 Equipment authorization requirement

§ 15.207 Conducted limits

§ 15.209 Radiated emission limits; general requirements

§ 15.247 Operation within the bands 902-928 MHz, 2400-2483.5 MHz

#### Note:

The tests were selected and performed with reference to the FCC Public Notice "Guidance for Compliance Measurements on Digital Transmission System, Frequency Hopping Spread Spectrum System, and Hybrid System Devices Operating under Section 15.247 of the FCC Rules, 558074 D01 15.247 Meas Guidance v05r02, 2019-04-02". ANSI C63.10-2013 is applied.

## 1.2 FCC-IC CORRELATION TABLE

### Correlation of measurement requirements for DTS (e.g. WLAN 2.4 GHz, BT LE) equipment from FCC and IC

#### DTS equipment

Measurement	FCC reference	IC reference
Conducted emissions on AC Mains	§ 15.207	RSS-Gen Issue 5 & AMD 1 & AMD 2: 8.8
Occupied bandwidth	§ 15.247 (a) (2)	RSS-247 Issue 3: 5.2 (a)
Peak conducted output power	§ 15.247 (b) (3), (4)	RSS-247 Issue 3: 5.4 (d)
Transmitter spurious RF conducted emissions	§ 15.247 (d)	RSS-Gen Issue 5 & AMD 1 & AMD 2: 6.13 / 8.9/8.10; RSS-247 Issue 3: 5.5
Transmitter spurious radiated emissions	§ 15.247 (d); § 15.209 (a)	RSS-Gen Issue 5 & AMD 1 & AMD 2: 6.13 / 8.9/8.10; RSS-247 Issue 3: 5.5
Band edge compliance	§ 15.247 (d)	RSS-247 Issue 3: 5.5
Power density	§ 15.247 (e)	RSS-247 Issue 3: 5.2 (b)
Antenna requirement	§ 15.203 / 15.204	RSS-Gen Issue 5 & AMD 1 & AMD 2: 8.3
Receiver spurious emissions	-	-

### 1.3 MEASUREMENT SUMMARY

**47 CFR CHAPTER I FCC PART 15 § 15.207**  
**Subpart C §15.247**

Conducted Emissions at AC Mains  
 The measurement was performed according to ANSI C63.10, chapter 6.2

OP-Mode	Setup	Date	FCC	IC
Operating mode, Connection to AC mains worst case, via ancillary/auxiliary equipment	S01_AA01	2024-01-18	Passed	Passed

**47 CFR CHAPTER I FCC PART 15 § 15.247 (a) (2)**  
**Subpart C §15.247**

Occupied Bandwidth (6 dB)  
 The measurement was performed according to ANSI C63.10, chapter 11.8.1

OP-Mode	Setup	Date	FCC	IC
Radio Technology, Operating Frequency				
Bluetooth LE 1 Mbps, high	S01_AC02	2023-09-19	Passed	Passed
Bluetooth LE 1 Mbps, low	S01_AC02	2023-09-19	Passed	Passed
Bluetooth LE 1 Mbps, mid	S01_AC02	2023-09-19	Passed	Passed
Bluetooth LE 2 Mbps, high	S01_AC02	2023-09-19	Passed	Passed
Bluetooth LE 2 Mbps, low	S01_AC02	2023-09-19	Passed	Passed
Bluetooth LE 2 Mbps, mid	S01_AC02	2023-09-19	Passed	Passed

**47 CFR CHAPTER I FCC PART 15 IC RSS-Gen & IC TRC-43; Ch. 6.7 & Ch. 8**  
**Subpart C §15.247**

Occupied Bandwidth (99%)  
 The measurement was performed according to ANSI C63.10, chapter 6.9.3

OP-Mode	Setup	Date	FCC	IC
Radio Technology, Operating Frequency				
Bluetooth LE 1 Mbps, high	S01_AC02	2023-09-19	N/A	Passed
Bluetooth LE 1 Mbps, low	S01_AC02	2023-09-19	N/A	Passed
Bluetooth LE 1 Mbps, mid	S01_AC02	2023-09-19	N/A	Passed
Bluetooth LE 2 Mbps, high	S01_AC02	2023-09-19	N/A	Passed
Bluetooth LE 2 Mbps, low	S01_AC02	2023-09-19	N/A	Passed
Bluetooth LE 2 Mbps, mid	S01_AC02	2023-09-19	N/A	Passed

**47 CFR CHAPTER I FCC PART 15 § 15.247 (b) (3)**  
**Subpart C §15.247**

Peak Power Output  
 The measurement was performed according to ANSI C63.10, chapter 11.9.1.3 **Final Result**

<b>OP-Mode</b>	<b>Setup</b>	<b>Date</b>	<b>FCC</b>	<b>IC</b>
Radio Technology, Operating Frequency, Measurement method				
Bluetooth LE 1 Mbps, high, conducted	S01_AC02	2023-09-18	Passed	Passed
Bluetooth LE 1 Mbps, low, conducted	S01_AC02	2023-09-18	Passed	Passed
Bluetooth LE 1 Mbps, mid, conducted	S01_AC02	2023-09-18	Passed	Passed
Bluetooth LE 2 Mbps, high, conducted	S01_AC02	2023-09-18	Passed	Passed
Bluetooth LE 2 Mbps, low, conducted	S01_AC02	2023-09-18	Passed	Passed
Bluetooth LE 2 Mbps, mid, conducted	S01_AC02	2023-09-18	Passed	Passed

**47 CFR CHAPTER I FCC PART 15 § 15.247 (d)**  
**Subpart C §15.247**

Spurious RF Conducted Emissions  
 The measurement was performed according to ANSI C63.10, chapter 11.11 **Final Result**

<b>OP-Mode</b>	<b>Setup</b>	<b>Date</b>	<b>FCC</b>	<b>IC</b>
Radio Technology, Operating Frequency				
Bluetooth LE 1 Mbps, high	S01_AC02	2023-09-19	Passed	Passed
Bluetooth LE 1 Mbps, low	S01_AC02	2023-09-19	Passed	Passed
Bluetooth LE 1 Mbps, mid	S01_AC02	2023-09-19	Passed	Passed

**47 CFR CHAPTER I FCC PART 15 § 15.247 (d)**  
**Subpart C §15.247**

Transmitter Spurious Radiated Emissions  
 The measurement was performed according to ANSI C63.10, chapter 6.4, 6.5, 6.6.5 **Final Result**

<b>OP-Mode</b>	<b>Setup</b>	<b>Date</b>	<b>FCC</b>	<b>IC</b>
Radio Technology, Operating Frequency, Measurement range				
Bluetooth LE 1 Mbps, high, 1 GHz - 26 GHz	S01_AA01	2023-10-31	Passed	Passed
Bluetooth LE 1 Mbps, high, 30 MHz - 1 GHz	S01_AA01	2023-10-04	Passed	Passed
Bluetooth LE 1 Mbps, low, 1 GHz - 26 GHz	S01_AA01	2023-12-05	Passed	Passed
Bluetooth LE 2 Mbps, low, 30 MHz - 1 GHz	S01_AA01	2023-12-17	Passed	Passed
Bluetooth LE 2 Mbps, mid, 1 GHz - 26 GHz	S01_AA01	2023-12-06	Passed	Passed
Bluetooth LE 2 Mbps, mid, 30 MHz - 1 GHz	S01_AA01	2023-12-17	Passed	Passed
Bluetooth LE 2 Mbps, mid, 9 kHz - 30 MHz	S01_AA01	2023-10-09	Passed	Passed

**47 CFR CHAPTER I FCC PART 15 § 15.247 (d)**  
**Subpart C §15.247**

Band Edge Compliance Conducted  
 The measurement was performed according to ANSI C63.10, chapter 11.11 **Final Result**

<b>OP-Mode</b>	<b>Setup</b>	<b>Date</b>	<b>FCC</b>	<b>IC</b>
Radio Technology, Operating Frequency, Band Edge				
Bluetooth LE 1 Mbps, high, high	S01_AC02	2023-09-18	Passed	Passed
Bluetooth LE 1 Mbps, low, low	S01_AC02	2023-09-18	Passed	Passed
Bluetooth LE 2 Mbps, high, high	S01_AC02	2023-09-18	Passed	Passed
Bluetooth LE 2 Mbps, low, low	S01_AC02	2023-09-18	Passed	Passed

**47 CFR CHAPTER I FCC PART 15 § 15.247 (d)**  
**Subpart C §15.247**

Band Edge Compliance Radiated  
 The measurement was performed according to ANSI C63.10, chapter 6.6.5 **Final Result**

<b>OP-Mode</b>	<b>Setup</b>	<b>Date</b>	<b>FCC</b>	<b>IC</b>
Radio Technology, Operating Frequency, Band Edge				
Bluetooth LE 1 Mbps, high, high	S01_AA01	2023-10-31	Passed	Passed
Bluetooth LE 2 Mbps, high, high	S01_AA01	2023-10-31	Passed	Passed

**47 CFR CHAPTER I FCC PART 15 § 15.247 (e)**  
**Subpart C §15.247**

Power Density  
 The measurement was performed according to ANSI C63.10, chapter 11.10.2 **Final Result**

<b>OP-Mode</b>	<b>Setup</b>	<b>Date</b>	<b>FCC</b>	<b>IC</b>
Radio Technology, Operating Frequency				
Bluetooth LE 1 Mbps, high	S01_AC02	2023-09-18	Passed	Passed
Bluetooth LE 1 Mbps, low	S01_AC02	2023-09-18	Passed	Passed
Bluetooth LE 1 Mbps, mid	S01_AC02	2023-09-18	Passed	Passed
Bluetooth LE 2 Mbps, high	S01_AC02	2023-09-18	Passed	Passed
Bluetooth LE 2 Mbps, low	S01_AC02	2023-09-18	Passed	Passed
Bluetooth LE 2 Mbps, mid	S01_AC02	2023-09-18	Passed	Passed

N/A: Not applicable  
 N/P: Not performed

## 2 REVISION HISTORY / SIGNATURES

Report version control			
Version	Release date	Change Description	Version validity
initial	2024-02-28	--	valid
--	--	--	--

COMMENT: -



(responsible for accreditation scope)  
Daniel Gall



(responsible for testing and report)  
Jens Doerwald



7 layers GmbH, Borsigstr. 11  
40880 Ratingen, Germany  
Phone +49 (0)2102 749 0



### 3 ADMINISTRATIVE DATA

#### 3.1 TESTING LABORATORY

Company Name: 7layers GmbH  
Address: Borsigstr. 11  
40880 Ratingen  
Germany

The test facility is accredited by the following accreditation organisation:

Laboratory accreditation no: DAkKS D-PL-12140-01-01 | -02 | -03  
FCC Designation Number: DE0015  
FCC Test Firm Registration: 929146  
ISED CAB Identifier DE0007; ISED#: 3699A

Responsible for accreditation scope: Daniel Gall  
Report Template Version: 2023-09-29

#### 3.2 PROJECT DATA

Responsible for testing and report: Jens Doerwald  
Employees who performed the tests: documented internally at 7Layers  
Date of Report: 2024-02-28  
Testing Period: 2023-12-17 to 2023-12-17

#### 3.3 APPLICANT DATA

Company Name: u-blox AG  
Address: Zürcherstrasse 68  
8800 Thalwil  
Switzerland  
Contact Person: Filip Kruzela

#### 3.4 MANUFACTURER DATA

Company Name: please see Applicant Data

## 4 TEST OBJECT DATA

### 4.1 GENERAL EUT DESCRIPTION

Kind of Device product description	Stand-alone Bluetooth 5.3 low energy module. The radio includes Bluetooth low energy, and IEEE 802.15.4 with Thread®, Matter™ and Zigbee™.
Product name	NINA-B5
Type	NINA-B506 and NINA-B501
<b>Declared EUT data by the supplier</b>	
Voltage Type	DC
Voltage Level	3.3 V (nominal)
Antenna / Gain	3.0 dBi
Tested Modulation Type	GFSK
General product description	NINA-B5 is a small size radio module intended for OEM integration utilizing Bluetooth 5.3 low energy, and IEEE 802.15.4 with Thread®, Matter™ and Zigbee™. All 2.4 GHz RF-signals share the same RF path, and the module cannot transmit e.g. BLE and 802.15.4 signals simultaneously.
Specific product description for the EUT	<p>NINA-B5 product is sold as Open CPU, tailored for OEMs who wish to embed their own application on top of the available radio modes. NINA-B5 modules are offered in two hardware versions, with antenna pin named as NINA-B501, and integrated PCB Trace antenna named as NINA-B506.</p> <p>The NINA-B501 does not have the internal antenna. The antenna pin is available as a module pin to connect to an external antenna or antenna connector. The antenna pin connects to the RF signal directly. The PCB outline is 10.0 x 11.6 mm.</p> <p>The NINA-B506 has an integrated PCB trace antenna on the PCB. The integrated antenna connects to the RF signal directly. The PCB outline is 10.0 x 15.0 mm.</p>
EUT ports (connected cables during testing):	USB
Tested datarates	1 Mbps: GFSK 2 Mbps: GFSK
Special software used for testing	Tx/Rx radio test software
Used output power	Max Power set with power code '31'

## 4.2 EUT MAIN COMPONENTS

Sample Name	Sample Code	Description
Sample#4	DE1015181ac02	Sample with UFL-pin connector BLE 10 dBm
Sample Parameter	Value	
Serial No.	AY45464DE000EF60400	
HW Version	04	
SW Version	Test FW from an example called 'connectivity_test' in NXP MCUXpresso SDK v2.12.5	
Comment		

Sample Name	Sample Code	Description
Sample#11	DE1015182aa01	Sample with integral antenna BLE 10 dBm
Sample Parameter	Value	
Serial No.	AY55464DE000FDD0400	
HW Version	06	
SW Version	Test FW from an example called 'connectivity_test' in NXP MCUXpresso SDK v2.12.5	
Comment		

NOTE: The short description is used to simplify the identification of the EUT in this test report.

## 4.3 ANCILLARY EQUIPMENT

For the purposes of this test report, ancillary equipment is defined as equipment which is used in conjunction with the EUT to provide operational and control features to the EUT. It is necessary to configure the system in a typical fashion, as a customer would normally use it. But nevertheless Ancillary Equipment can influence the test results.

Device	Details (Manufacturer, Type Model, OUT Code)	Description
-	-	-

## 4.4 AUXILIARY EQUIPMENT

For the purposes of this test report, auxiliary equipment is defined as equipment which is used temporarily to enable operational and control features especially used for the tests of the EUT which is not used during normal operation or equipment that is used during the tests in combination with the EUT but is not subject of this test report. It is necessary to configure the system in a typical fashion, as a customer would normally use it. But nevertheless Auxiliary Equipment can influence the test results.

Device	Details (Manufacturer, Type Model, HW, SW, S/N)	Description
AUX1	-, -, -, -, -	Unshielded USB cable
AUX2	Dell, Latitude E7270, 2016, -, 14393036990	Laptop computer with prepared scripts controlling the EUT

#### 4.5 EUT SETUPS

This chapter describes the combination of EUTs and equipment used for testing. The rationale for selecting the EUTs, ancillary and auxiliary equipment and interconnecting cables, is to test a representative configuration meeting the requirements of the referenced standards.

Setup	Combination of EUTs	Description and Rationale
S01_AA01	Sample#11 + AUX1 + AUX2	Setup for radiated measurements
S01_AC02	Sample#4 + AUX1 + AUX2	Setup for conducted measurements

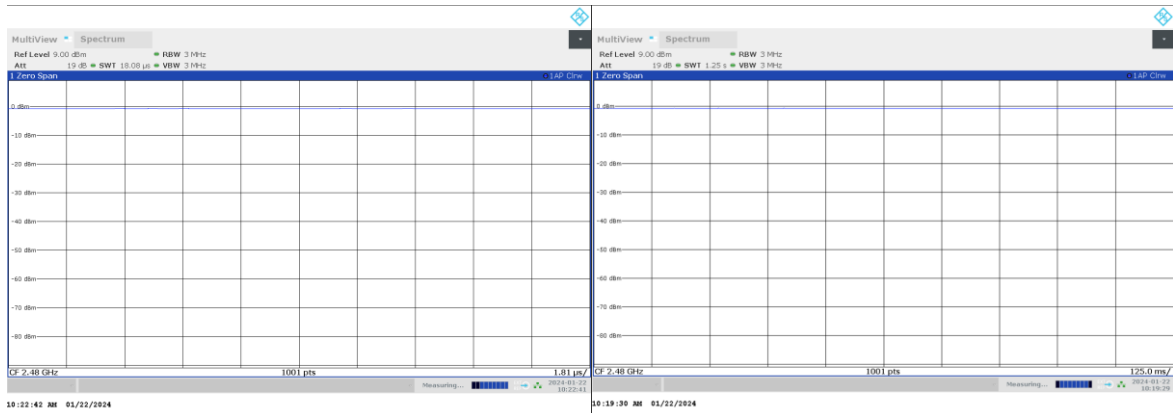
#### 4.6 OPERATING MODES / TEST CHANNELS

This chapter describes the operating modes of the EUTs used for testing.

**BT LE Test Channels:**  
**Channel:**  
**Frequency [MHz]**

2.4 GHz ISM 2400 - 2483.5 MHz		
low	mid	high
0	19	39
2402	2440	2480

## Duty Cycle



Duty Cycle (1 Mbps and 2Mbps) 100 %

### 4.7 PRODUCT LABELLING

#### 4.7.1 FCC ID LABEL

Please refer to the documentation of the applicant.

#### 4.7.2 LOCATION OF THE LABEL ON THE EUT

Please refer to the documentation of the applicant.

## 5 TEST RESULTS

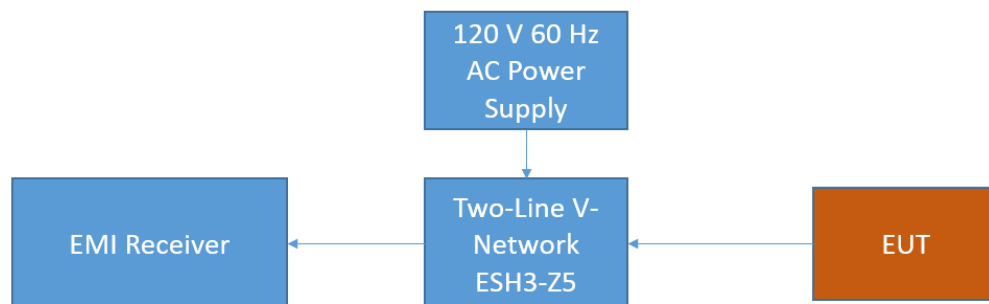
### 5.1 CONDUCTED EMISSIONS AT AC MAINS

Standard **FCC Part 15 Subpart C**

**The test was performed according to:**  
ANSI C63.10, chapter 6.2

#### 5.1.1 TEST DESCRIPTION

The test set-up was made in accordance to the general provisions of ANSI C 63.10. The Equipment Under Test (EUT) was setup in a shielded room to perform the conducted emissions measurements in a typical installation configuration. The EUT was powered from 50 $\mu$ H || 50 Ohm Line Impedance Stabilization Network (LISN). The LISN's unused connections were terminated with 50 Ohm loads.



FCC Conducted Emissions on AC

The measurement procedure consists of two steps. It is implemented into the EMI test software EMC-32 from R&S.

#### **Step 1: Preliminary scan**

Intention of this step is, to determine the conducted EMI-profile of the EUT.

EMI receiver settings:

- Detector: Peak – Maxhold & Average
- Frequency range: 150 kHz – 30 MHz
- Frequency steps: 2.5 kHz
- IF-Bandwidth: 9 kHz
- Measuring time / Frequency step: 100 ms (FFT-based)
- Measurement on phase + neutral lines of the power cords

On basis of this preliminary scan the highest amplitudes and the corresponding frequencies relative to the limit are identified. Emissions above the limit and emissions which are in the 10 dB range below the limit are considered.

#### **Step 2: Final measurement**

Intention of this step is, to determine the highest emissions with the settings defined in the test specification for the frequencies identified in step 1.

EMI receiver settings:

- Detector: Quasi-Peak & (CISPR) Average

- IF Bandwidth: 9 kHz
- Measuring time: 1 s / frequency

At each frequency determined in step 1, four measurements are performed in the following combinations:

- 1) Neutral lead - reference ground (PE grounded)
- 2) Phase lead - reference ground (PE grounded)
- 3) Neutral lead - reference ground (PE floating)
- 4) Phase lead - reference ground (PE floating)

The highest value is reported.

### 5.1.2 TEST REQUIREMENTS / LIMITS

FCC Part 15, Subpart C, §15.207

Frequency (MHz)	QP Limits (dBµV)	AV Limits (dBµV)
0.15 - 0.5	66 - 56	56 - 46
0.5 - 5	56	46
5 - 30	60	50

Used conversion factor: Limit (dBµV) = 20 log (Limit (µV)/1µV).

### 5.1.3 TEST PROTOCOL

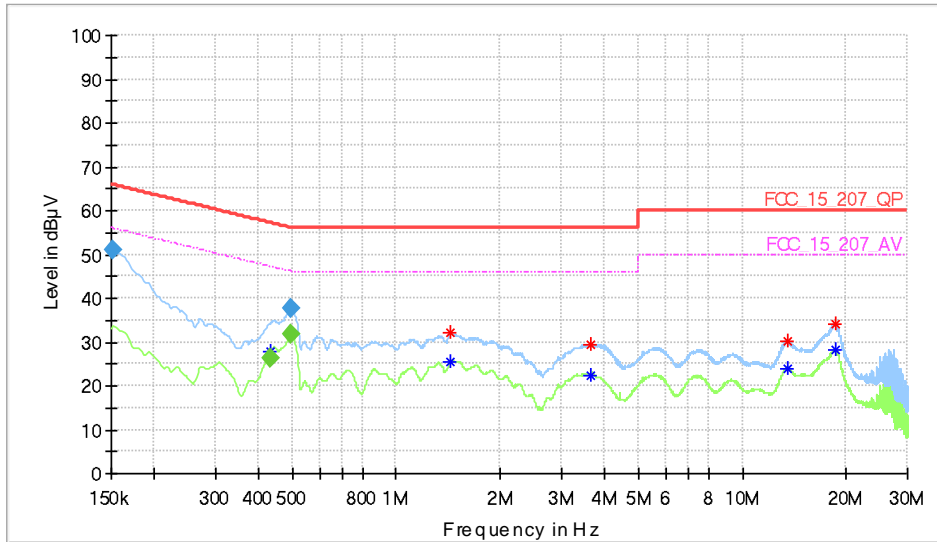
Temperature: 25 °C  
 Air Pressure: 1000 hPa  
 Humidity: 36 %

Frequency (MHz)	QuasiPeak (dBµV)	CAverage (dBµV)	Limit (dBµV)	Margin (dB)	Meas. Time	Bandwidth (kHz)	Line	PE	Corr. (dB)
0.152250	50.92	---	65.88	14.96	1000.0	9.000	L1	FLO	10.0
0.431250	---	26.39	47.23	20.84	1000.0	9.000	N	FLO	10.1
0.496500	37.50	---	56.06	18.56	1000.0	9.000	N	FLO	10.1
0.498750	---	31.59	46.02	14.43	1000.0	9.000	N	FLO	10.1

Remark: Please see next sub-clause for the measurement plot.

### 5.1.4 MEASUREMENT PLOT (EXAMPLE PLOT, SHOWING WORST CASE, IF APPLICABLE)

Operating mode: worst case, connection to AC mains = via ancillary/auxiliary equipment



1Mbps Tx on 2440 MHz

Critical Frequencies:

Frequency (MHz)	Peak (dBµV)	Average (dBµV)	Limit (dBµV)	Margin	Meas. Time (ms)	Bandwidth	Line	PE	Corr. (dB)	Comment
0.152250	50.97	---	65.88	14.91	---	---	L1	FLO	10.0	
0.431250	---	27.83	47.23	19.40	---	---	N	FLO	10.1	
0.496500	37.93	---	56.06	18.13	---	---	N	FLO	10.1	
0.498750	---	31.86	46.02	14.17	---	---	N	FLO	10.1	
1.430250	---	25.48	46.00	20.52	---	---	N	FLO	10.2	
1.434750	32.02	---	56.00	23.98	---	---	N	GND	10.2	
3.635250	---	22.53	46.00	23.47	---	---	N	GND	10.3	
3.651000	29.56	---	56.00	26.44	---	---	N	GND	10.3	
13.512750	---	24.03	50.00	25.97	---	---	L1	GND	10.8	
13.512750	30.09	---	60.00	29.91	---	---	L1	GND	10.8	
18.541500	---	28.23	50.00	21.77	---	---	N	GND	11.0	
18.559500	33.95	---	60.00	26.05	---	---	N	GND	11.0	

### 5.1.5 TEST EQUIPMENT USED

- Conducted Emissions FCC



## 5.2 OCCUPIED BANDWIDTH (6 DB)

Standard **FCC Part 15 Subpart C**

**The test was performed according to:**  
ANSI C63.10, chapter 11.8.1

### 5.2.1 TEST DESCRIPTION

The Equipment Under Test (EUT) was set up to perform the occupied bandwidth measurements.

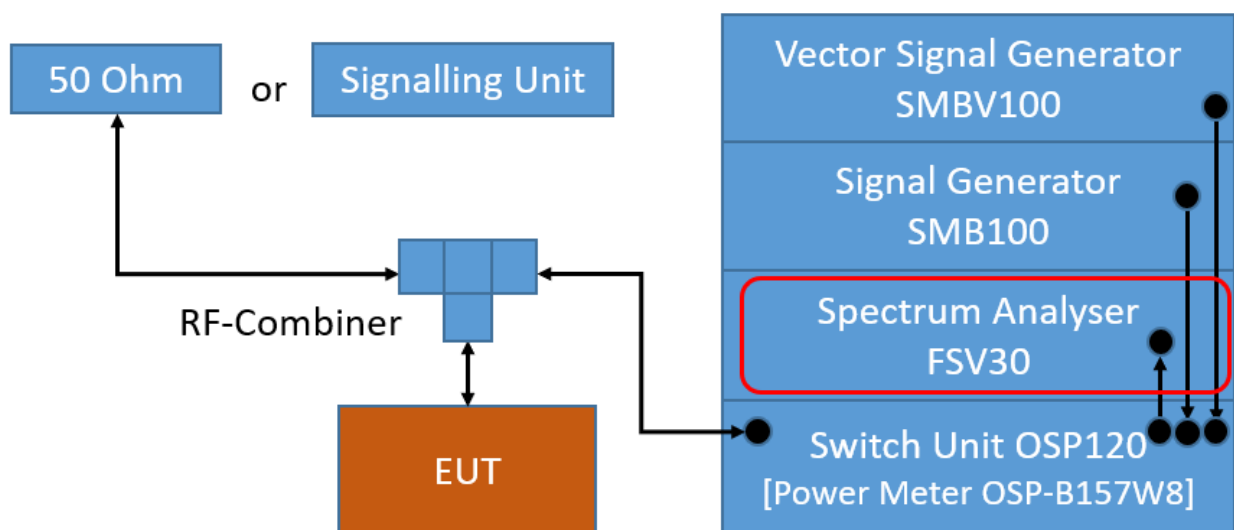
The reference level is the level of the highest amplitude signal observed from the transmitter at either the fundamental frequency or first-order modulation products in all typical modes of operation, including the unmodulated carrier, even if atypical.

The results recorded were measured with the modulation which produce the worst-case (smallest) emission bandwidth.

The EUT was connected to the test system as described in the block diagram below. The complete attenuation of the measurement path is known and considered.

Analyser settings:

- Resolution Bandwidth (RBW): 100 kHz
- Video Bandwidth (VBW): 300 kHz
- Span: Two times nominal bandwidth
- Trace: Maxhold
- Sweeps: Till stable (min. 500, max. 15000)
- Sweeptime: Auto
- Detector: Peak



TS8997; Channel Bandwidth

## 5.2.2 TEST REQUIREMENTS / LIMITS

FCC Part 15, Subpart C, §15.247 (a) (2)

Systems using digital modulation techniques may operate in the 902-928 MHz and 2400-2483.5 MHz bands. The minimum 6 dB bandwidth shall be at least 500 kHz.

## 5.2.3 TEST PROTOCOL

<b>Ambient temperature:</b>	23 - 25 °C				
<b>Air Pressure:</b>	990 - 1024 hPa				
<b>Humidity:</b>	30 - 40%				
<b>BT LE 1 Mbit/s</b>					
	<b>Channel No.</b>	<b>Frequency [MHz]</b>	<b>6 dB Bandwidth [MHz]</b>	<b>Limit [MHz]</b>	<b>Margin to Limit [MHz]</b>
<b>Band / Mode</b>					
2.4 GHz ISM	0	2402	0.778	0.5	0.278
	19	2440	0.776	0.5	0.276
	39	2480	0.792	0.5	0.292
<b>BT LE 2 Mbit/s</b>					
	<b>Channel No.</b>	<b>Frequency [MHz]</b>	<b>6 dB Bandwidth [MHz]</b>	<b>Limit [MHz]</b>	<b>Margin to Limit [MHz]</b>
<b>Band / Mode</b>					
2.4 GHz ISM	0	2402	1.467	0.5	0.967
	19	2440	1.493	0.5	0.993
	39	2480	1.519	0.5	1.019

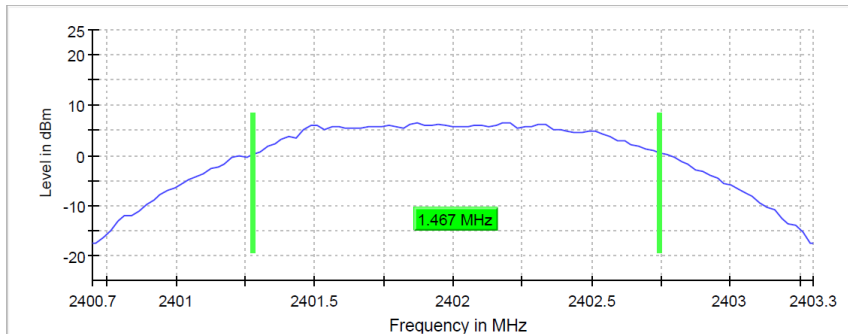
Remark: Please see next sub-clause for the measurement plot.

### 5.2.4 MEASUREMENT PLOT (EXAMPLE PLOT, SHOWING WORST CASE, IF APPLICABLE)

Radio Technology = Bluetooth LE 2 Mbps, Operating Frequency = low

#### 6 dB Bandwidth

DUT Frequency (MHz)	Bandwidth (MHz)	Limit Min (MHz)	Limit Max (MHz)	Band Edge Left (MHz)	Band Edge Right (MHz)
2402.000000	1.467327	0.500000	---	2401.279208	2402.746535

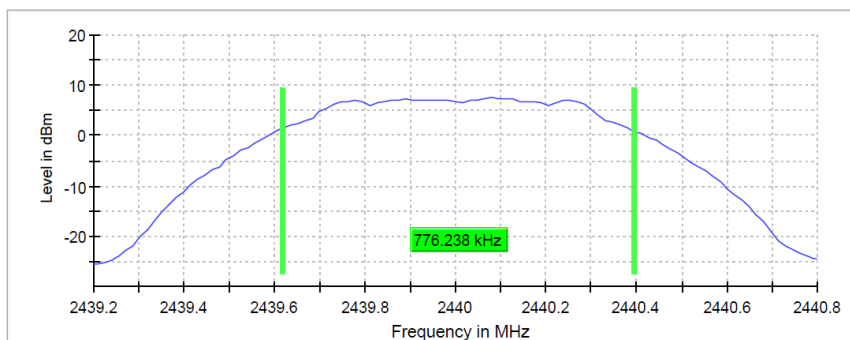


Setting	Instrument Value	Target Value
Start Frequency	2.40070 GHz	2.40070 GHz
Stop Frequency	2.40330 GHz	2.40330 GHz
Span	2.600 MHz	2.600 MHz
RBW	100.000 kHz	~ 100.000 kHz
VBW	300.000 kHz	~ 300.000 kHz
SweepPoints	101	~ 52
Sweeptime	41.890 µs	AUTO
Reference Level	0.000 dBm	0.000 dBm
Attenuation	10.000 dB	AUTO
Detector	MaxPeak	MaxPeak
SweepCount	100	100
Filter	3 dB	3 dB
Trace Mode	Max Hold	Max Hold
Sweeptype	FFT	AUTO
Preamp	off	off
Stablemode	Trace	Trace
Stablevalue	0.50 dB	0.50 dB
Run	36 / max. 150	max. 150
Stable	5 / 5	5
Max Stable Difference	0.02 dB	0.50 dB

Radio Technology = Bluetooth LE 1 Mbps, Operating Frequency = mid

#### 6 dB Bandwidth

DUT Frequency (MHz)	Bandwidth (MHz)	Limit Min (MHz)	Limit Max (MHz)	Band Edge Left (MHz)	Band Edge Right (MHz)
2440.000000	0.776238	0.500000	---	2439.619802	2440.396040



Setting	Instrument Value	Target Value
Start Frequency	2.43920 GHz	2.43920 GHz
Stop Frequency	2.44080 GHz	2.44080 GHz
Span	1.600 MHz	1.600 MHz
RBW	100.000 kHz	~ 100.000 kHz
VBW	300.000 kHz	~ 300.000 kHz
SweepPoints	101	~ 32
Sweeptime	41.920 µs	AUTO
Reference Level	0.000 dBm	0.000 dBm
Attenuation	10.000 dB	AUTO
Detector	MaxPeak	MaxPeak
SweepCount	100	100
Filter	3 dB	3 dB
Trace Mode	Max Hold	Max Hold
Sweeptype	FFT	AUTO
Preamp	off	off
Stablemode	Trace	Trace
Stablevalue	0.50 dB	0.50 dB
Run	15 / max. 150	max. 150
Stable	5 / 5	5
Max Stable Difference	0.11 dB	0.50 dB

### 5.2.5 TEST EQUIPMENT USED

- R&S TS8997

### 5.3 OCCUPIED BANDWIDTH (99%)

Standard **FCC Part 15 Subpart C**

**The test was performed according to:**  
ANSI C63.10, chapter 6.9.3

#### 5.3.1 TEST DESCRIPTION

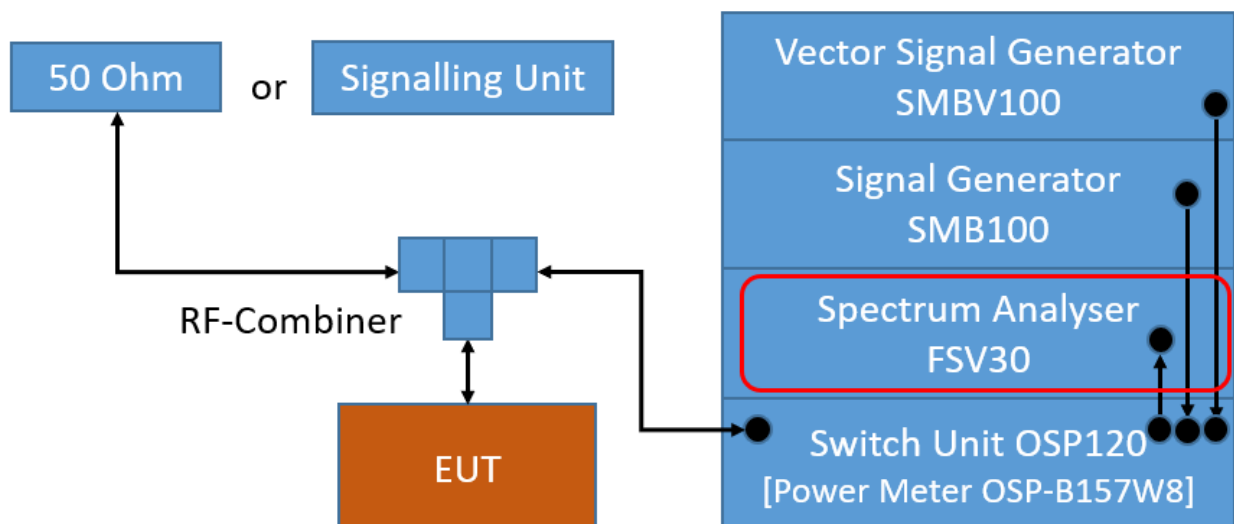
The Equipment Under Test (EUT) was set up to perform the occupied bandwidth measurements.

The reference level is the level of the highest amplitude signal observed from the transmitter at either the fundamental frequency or first-order modulation products in all typical modes of operation, including the unmodulated carrier, even if atypical.

The EUT was connected to the test system as described in the block diagram below. The complete attenuation of the measurement path is known and considered.

Analyser settings:

- Resolution Bandwidth (RBW): 1 to 5 % of the OBW
- Video Bandwidth (VBW):  $\geq 3$  times the RBW
- Span: 1.5 to 5 times the OBW
- Trace: Maxhold
- Sweeps: Till stable (min. 500, max. 75000)
- Sweeptime: Auto
- Detector: Peak



TS8997; Channel Bandwidth

### 5.3.2 TEST REQUIREMENTS / LIMITS

No applicable limit:

### 5.3.3 TEST PROTOCOL

<b>Ambient temperature:</b>	23 - 25 °C		
<b>Air Pressure:</b>	990 - 1024 hPa		
<b>Humidity:</b>	30 - 40%		
<b>BT LE 1 Mbit/s</b>			
<b>Band</b>	<b>Channel No.</b>	<b>Frequency [MHz]</b>	<b>99 % Bandwidth [MHz]</b>
2.4 GHz ISM	0	2402	1.020
	19	2440	1.020
	39	2480	1.020
<b>BT LE 2 Mbit/s</b>			
<b>Band</b>	<b>Channel No.</b>	<b>Frequency [MHz]</b>	<b>99 % Bandwidth [MHz]</b>
2.4 GHz ISM	0	2402	2.025
	19	2440	2.025
	39	2480	2.010

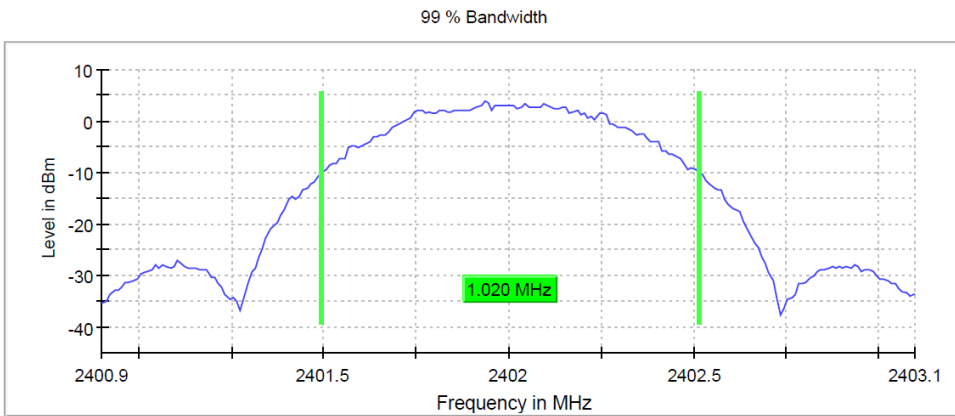
Remark: Please see next sub-clause for the measurement plot.

### 5.3.4 MEASUREMENT PLOT (EXAMPLE PLOT, SHOWING WORST CASE, IF APPLICABLE)

Radio Technology = Bluetooth LE 1 Mbps, Operating Frequency = low

#### 99 % Bandwidth

DUT Frequency (MHz)	Bandwidth (MHz)	Limit Min (MHz)	Limit Max (MHz)	Band Edge Left (MHz)	Band Edge Right (MHz)
2402.000000	1.020000	---	---	2401.495000	2402.515000

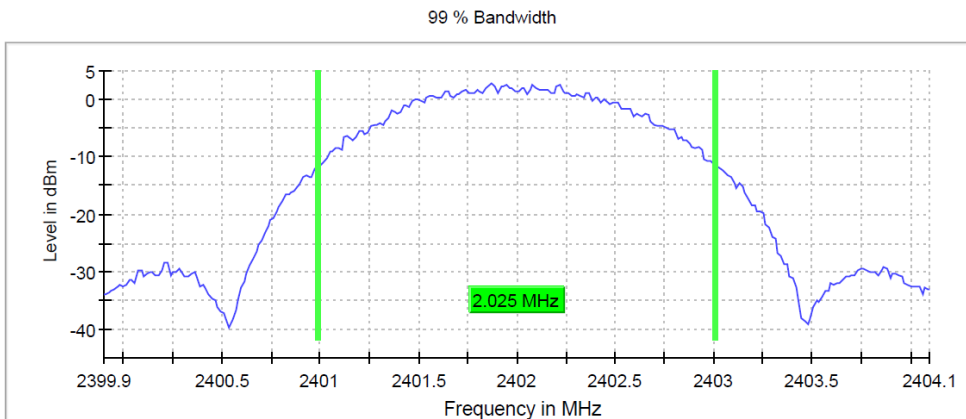


Setting	Instrument Value	Target Value
Start Frequency	2.40090 GHz	2.40090 GHz
Stop Frequency	2.40310 GHz	2.40310 GHz
Span	2.200 MHz	2.200 MHz
RBW	20.000 kHz	>= 11.000 kHz
VBW	100.000 kHz	>= 60.000 kHz
SweepPoints	220	~ 220
SweepTime	210.000 $\mu$ s	AUTO
Reference Level	0.000 dBm	0.000 dBm
Attenuation	10.000 dB	AUTO
Detector	MaxPeak	MaxPeak
SweepCount	100	100
Filter	3 dB	3 dB
Trace Mode	Max Hold	Max Hold
SweepType	FFT	AUTO
Preamp	off	off
Stablemode	Trace	Trace
Stablevalue	0.30 dB	0.30 dB
Run	20 / max. 150	max. 150
Stable	3 / 3	3
Max Stable Difference	0.11 dB	0.30 dB

Radio Technology = Bluetooth LE 2 Mbps, Operating Frequency = low

#### 99 % Bandwidth

DUT Frequency (MHz)	Bandwidth (MHz)	Limit Min (MHz)	Limit Max (MHz)	Band Edge Left (MHz)	Band Edge Right (MHz)
2402.000000	2.025000	---	---	2400.987500	2403.012500



Setting	Instrument Value	Target Value
Start Frequency	2.39990 GHz	2.39990 GHz
Stop Frequency	2.40410 GHz	2.40410 GHz
Span	4.200 MHz	4.200 MHz
RBW	30.000 kHz	>= 21.000 kHz
VBW	100.000 kHz	>= 90.000 kHz
SweepPoints	280	~ 280
SweepTime	140.000 $\mu$ s	AUTO
Reference Level	0.000 dBm	0.000 dBm
Attenuation	10.000 dB	AUTO
Detector	MaxPeak	MaxPeak
SweepCount	100	100
Filter	3 dB	3 dB
Trace Mode	Max Hold	Max Hold
SweepType	FFT	AUTO
Preamp	off	off
Stablemode	Trace	Trace
Stablevalue	0.30 dB	0.30 dB
Run	20 / max. 150	max. 150
Stable	3 / 3	3
Max Stable Difference	0.18 dB	0.30 dB

### 5.3.5 TEST EQUIPMENT USED

- R&S TS8997

## 5.4 PEAK POWER OUTPUT

Standard **FCC Part 15 Subpart C**

**The test was performed according to:**

ANSI C63.10, chapter 11.9.1.3

### 5.4.1 TEST DESCRIPTION

DTS EQUIPMENT:

The Equipment Under Test (EUT) was set up to perform the output power measurements. The results recorded were measured with the modulation which produces the worst-case (highest) output power.

Maximum peak conducted output power (e.g. Bluetooth Low Energy):

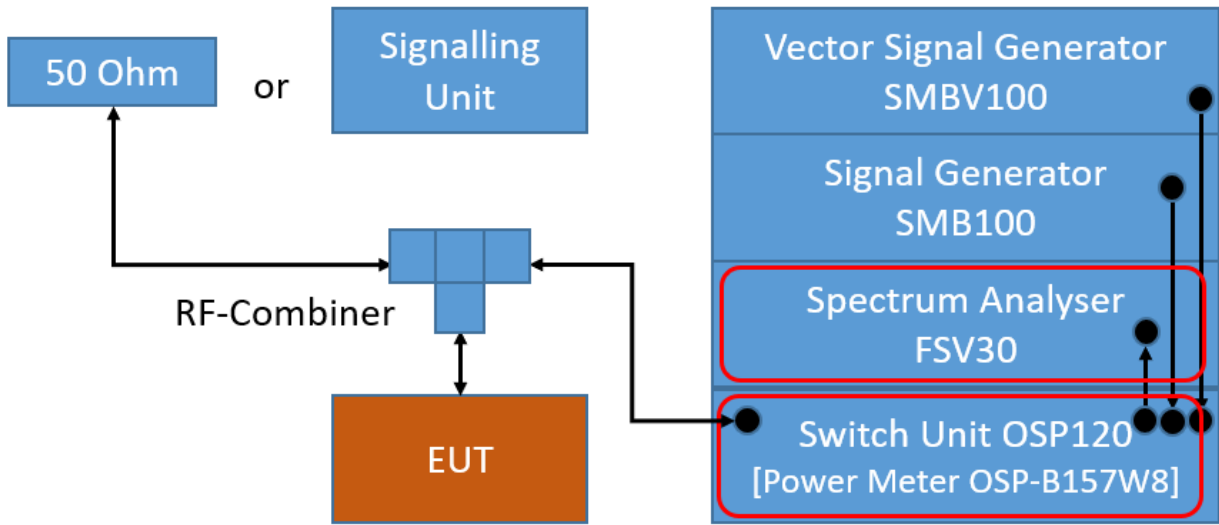
The EUT was connected to the test system as described in the block diagram below. The complete attenuation of the measurement path is known and considered. The reference level of the spectrum analyser was set higher than the output power of the EUT.

Analyser settings:

- Resolution Bandwidth (RBW):  $\geq$  DTS bandwidth
- Video Bandwidth (VBW):  $\geq$  3 times RBW or maximum of analyzer
- Span:  $\geq$  3 times RBW
- Trace: Maxhold
- Sweeps: Till stable (min. 300, max. 15000)
- Sweeptime: Auto
- Detector: Peak

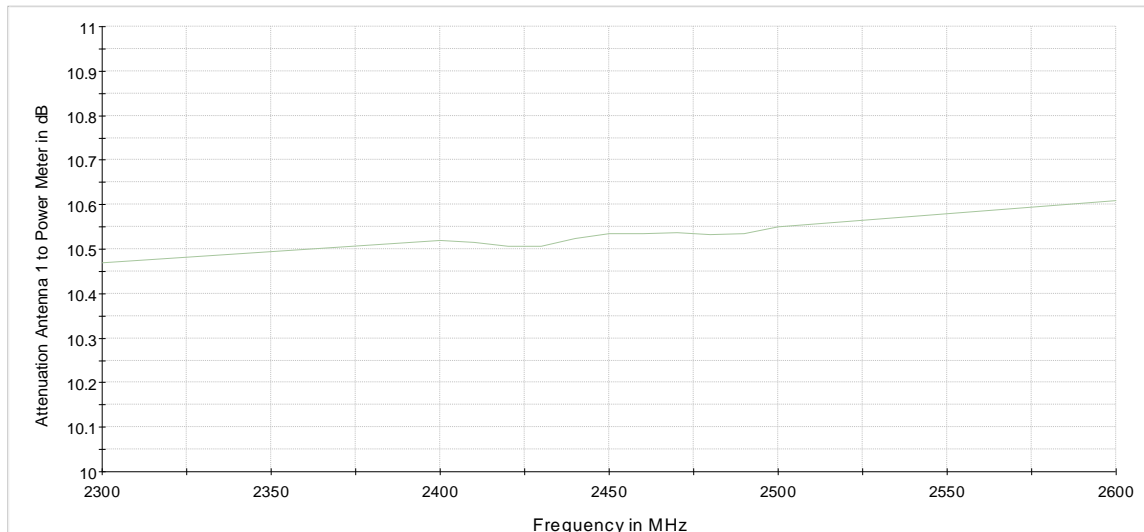
Maximum conducted average output power (e.g. WLAN):

The EUT was connected to the test system as described in the block diagram below. The complete attenuation of the measurement path is known and considered. Measurement is performed using the gated RF average power meter integrated in the OSP 120 module OSP-B157W8 with signal bandwidth  $>300$  MHz.

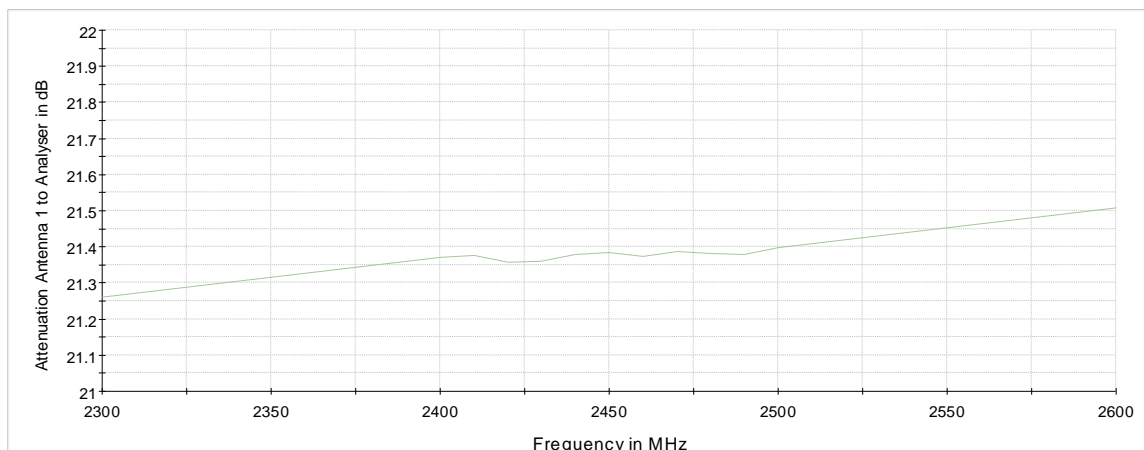


TS8997; Output Power





Attenuation of the measurement path to Power Meter



Attenuation of the measurement path to Analyser

## 5.4.2 TEST REQUIREMENTS / LIMITS

### DTS devices:

FCC Part 15, Subpart C, §15.247 (b) (3)

For systems using digital modulation techniques in the 902-928 MHz, 2400-2483.5 MHz and 5725-5850 MHz bands: 1 watt.

==> Maximum conducted peak output power: 30 dBm (excluding antenna gain, if antennas with directional gains that do not exceed 6 dBi are used).

### Frequency Hopping Systems:

FCC Part 15, Subpart C, §15.247 (b) (1)

For frequency hopping systems operating in the 2400-2483.5 MHz band employing at least 75 non-overlapping hopping channels, and all frequency hopping systems in the 5725-5850 MHz band: 1 watt. For all other frequency hopping systems in the 2400-2483.5 MHz band: 0.125 watts.

FCC Part 15, Subpart C, §15.247 (b) (2)

For frequency hopping systems operating in the 902-928 MHz band: 1 watt for systems employing at least 50 hopping channels; and, 0.25 watts for systems employing less than 50 hopping channels, but at least 25 hopping channels, as permitted under paragraph (a)(1)(i) of this section.

Used conversion factor: Limit (dBm) = 10 log (Limit (W)/1mW)

### 5.4.3 TEST PROTOCOL

<b>Ambient temperature:</b>	23 - 25 °C					
<b>Air Pressure:</b>	990 - 1024 hPa					
<b>Humidity:</b>	30 - 40%					
<b>BT LE 1 Mbit/s</b>						
	<b>Channel No.</b>	<b>Frequency [MHz]</b>	<b>Peak Power [dBm]</b>	<b>Limit [dBm]</b>	<b>Margin to Limit [dB]</b>	<b>E.I.R.P [dBm]</b>
<b>Band</b>						
2.4 GHz ISM	0	2402	9.1	30.0	20.9	12.1
	19	2440	9.1	30.0	20.9	12.1
	39	2480	9.0	30.0	21.0	12.0
<b>BT LE 2 Mbit/s</b>						
	<b>Channel No.</b>	<b>Frequency [MHz]</b>	<b>Peak Power [dBm]</b>	<b>Limit [dBm]</b>	<b>Margin to Limit [dB]</b>	<b>E.I.R.P [dBm]</b>
<b>Band</b>						
2.4 GHz ISM	0	2402	9.1	30.0	20.9	12.1
	19	2440	9.1	30.0	20.9	12.1
	39	2480	9.0	30.0	21.0	12.0

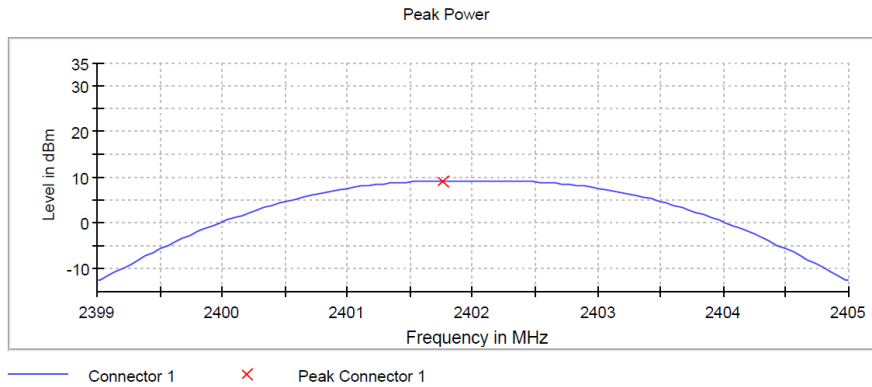
Remark: Please see next sub-clause for the measurement plot.

### 5.4.4 MEASUREMENT PLOT (EXAMPLE PLOT, SHOWING WORST CASE, IF APPLICABLE)

Radio Technology = Bluetooth LE 1 Mbps, Operating Frequency = low

#### Result

DUT Frequency (MHz)	Peak Power (dBm)	Limit Max (dBm)	Result
2402.000000	9.1	30.0	PASS

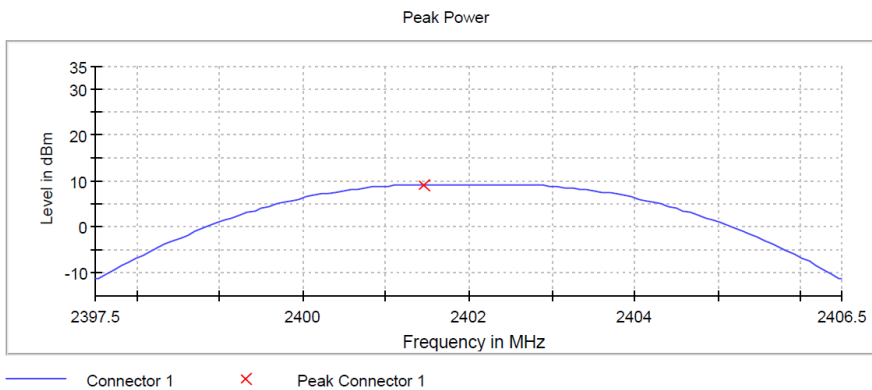


Setting	Instrument Value	Target Value
Start Frequency	2.39900 GHz	2.39900 GHz
Stop Frequency	2.40500 GHz	2.40500 GHz
Span	6.000 MHz	6.000 MHz
RBW	2.000 MHz	>= 1.100 MHz
VBW	10.000 MHz	>= 6.000 MHz
SweepPoints	101	~ 101
SweepTime	1.000 ms	AUTO
Reference Level	10.000 dBm	10.000 dBm
Attenuation	20.000 dB	AUTO
Detector	MaxPeak	MaxPeak
SweepCount	100	100
Filter	3 dB	3 dB
Trace Mode	Max Hold	Max Hold
SweepType	Sweep	AUTO
Preamp	off	off
Stablemode	Trace	Trace
Stablevalue	0.50 dB	0.50 dB
Run	4 / max. 150	max. 150
Stable	3 / 3	3
Max Stable Difference	0.01 dB	0.50 dB

Radio Technology = Bluetooth LE 2 Mbps, Operating Frequency = low

#### Result

DUT Frequency (MHz)	Peak Power (dBm)	Limit Max (dBm)	Result
2402.000000	9.1	30.0	PASS



Setting	Instrument Value	Target Value
Start Frequency	2.39750 GHz	2.39750 GHz
Stop Frequency	2.40650 GHz	2.40650 GHz
Span	9.000 MHz	9.000 MHz
RBW	3.000 MHz	>= 2.100 MHz
VBW	10.000 MHz	>= 9.000 MHz
SweepPoints	101	~ 101
SweepTime	1.000 ms	AUTO
Reference Level	10.000 dBm	10.000 dBm
Attenuation	20.000 dB	AUTO
Detector	MaxPeak	MaxPeak
SweepCount	100	100
Filter	3 dB	3 dB
Trace Mode	Max Hold	Max Hold
SweepType	Sweep	AUTO
Preamp	off	off
Stablemode	Trace	Trace
Stablevalue	0.50 dB	0.50 dB
Run	4 / max. 150	max. 150
Stable	3 / 3	3
Max Stable Difference	0.03 dB	0.50 dB

### 5.4.5 TEST EQUIPMENT USED

- R&S TS8997

## 5.5 SPURIOUS RF CONDUCTED EMISSIONS

Standard **FCC Part 15 Subpart C**

**The test was performed according to:**  
ANSI C63.10, chapter 11.11

### 5.5.1 TEST DESCRIPTION

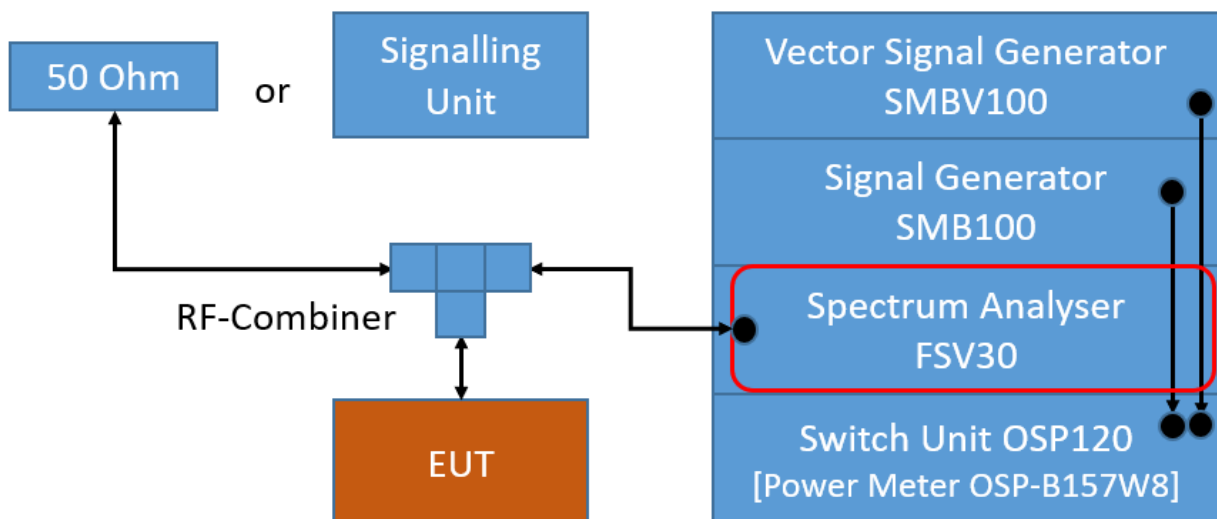
The Equipment Under Test (EUT) was set up to perform the spurious emissions measurements.

The EUT was connected to the test system as described in the block diagram below. The complete attenuation of the measurement path is known and considered.

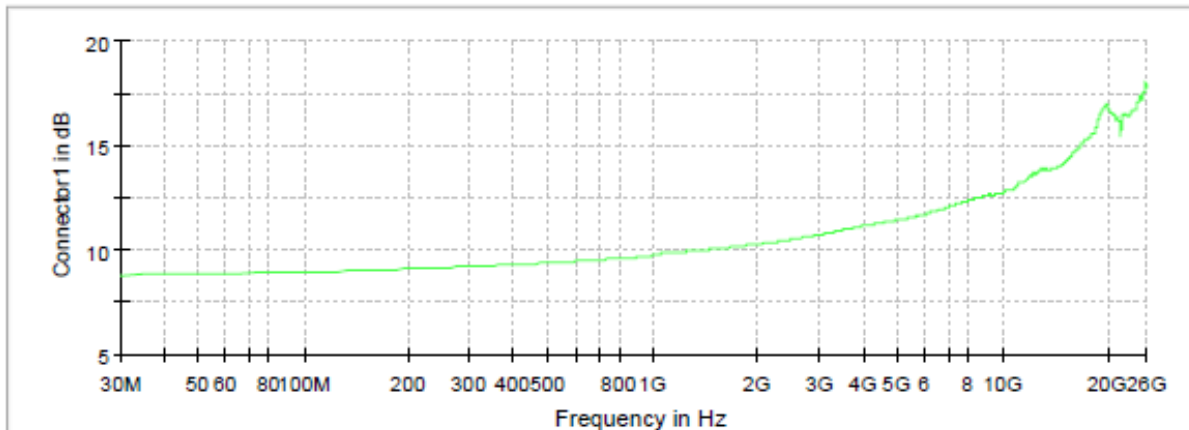
Analyser settings:

- Frequency range: 30 – 26000 MHz
- Resolution Bandwidth (RBW): 100 kHz
- Video Bandwidth (VBW): 300 kHz
- Trace: Maxhold
- Sweeps: Till Stable (max. 120)
- Sweep Time: Auto
- Detector: Peak

The reference value for the measurement of the spurious RF conducted emissions is determined during the test "band edge compliance conducted". This value is used to calculate the 20 dBc or 30 dBc limit.



TS8997; Spurious RF Conducted Emissions



Connector1

Attenuation of the measurement part

### 5.5.2 TEST REQUIREMENTS / LIMITS

FCC Part 15, Subpart C, §15.247 (c)

In any 100 kHz bandwidth outside the frequency band in which the spread spectrum intentional radiator is operating, the radio frequency power that is produced by the intentional radiator shall be at least 20 dB below that in the 100 kHz bandwidth within the band that contains the highest level of the desired power, based on either an RF conducted or a radiated measurement, provided the transmitter demonstrates compliance with the peak conducted power limits. If the transmitter complies with the conducted power limits based on the use of RMS averaging over a time interval, as permitted under paragraph (b)(3) of this section, the attenuation required under this paragraph shall be 30 dB instead of 20 dB.

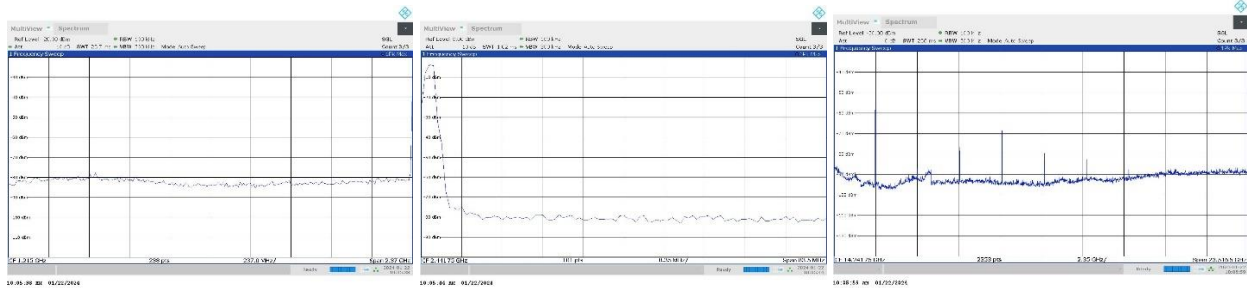
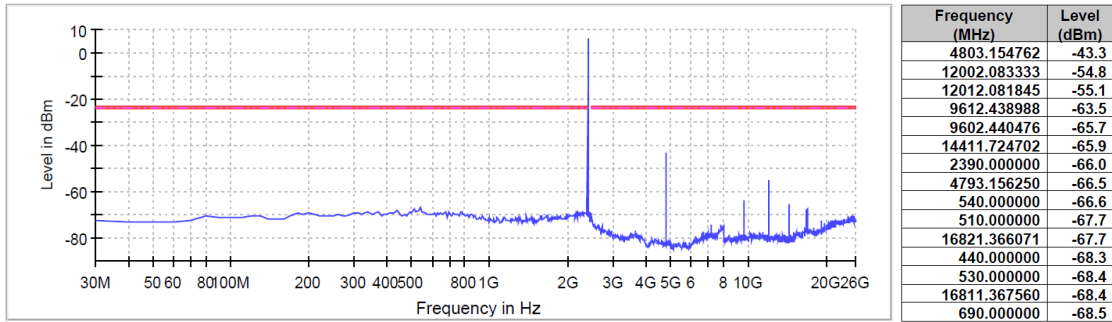
### 5.5.3 TEST PROTOCOL

<b>Ambient temperature:</b>	23 - 25 °C							
<b>Air Pressure:</b>	990 - 1024 hPa							
<b>Humidity:</b>	30 - 40%							
<b>BT LE 1 Mbit/s</b>								
Channel No	Channel Center Freq. [MHz]	Spurious Freq. [MHz]	Spurious Level [dBm]	Detector	RBW [kHz]	Ref. Level [dBm]	Limit [dBm]	Margin to Limit [dB]
0	2402	4807.2	-44.6	PEAK	100	9.0	-11.0	33.6
19	2440	4877.1	-49.4	PEAK	100	8.1	-11.9	37.5
39	2480	12402.8	-50.1	PEAK	100	7.9	-12.1	38.0
<b>BT LE 2 Mbit/s</b>								
Channel No	Channel Center Freq. [MHz]	Spurious Freq. [MHz]	Spurious Level [dBm]	Detector	RBW [kHz]	Ref. Level [dBm]	Limit [dBm]	Margin to Limit [dB]
0	2402	4803.2	-43.3	PEAK	100	6.0	-14.0	29.3
19	2440	4873.1	-48.8	PEAK	100	5.2	-14.8	34.0
39	2480	4953.1	-49.5	PEAK	100	5.4	-14.6	34.9

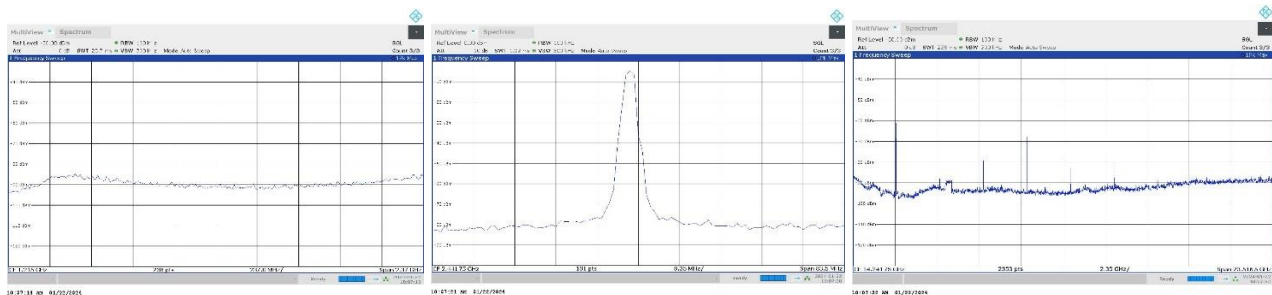
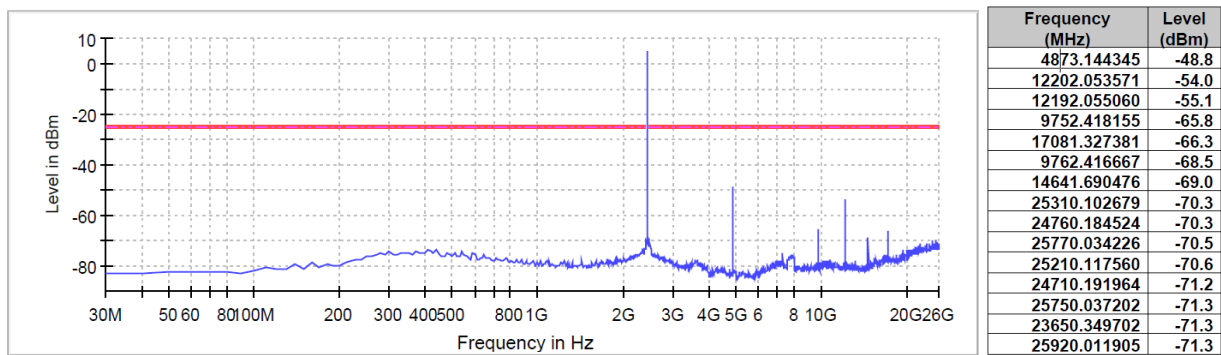
Remark: Please see next sub-clause for the measurement plot.

### 5.5.4 MEASUREMENT PLOT (EXAMPLE PLOT, SHOWING WORST CASE, IF APPLICABLE)

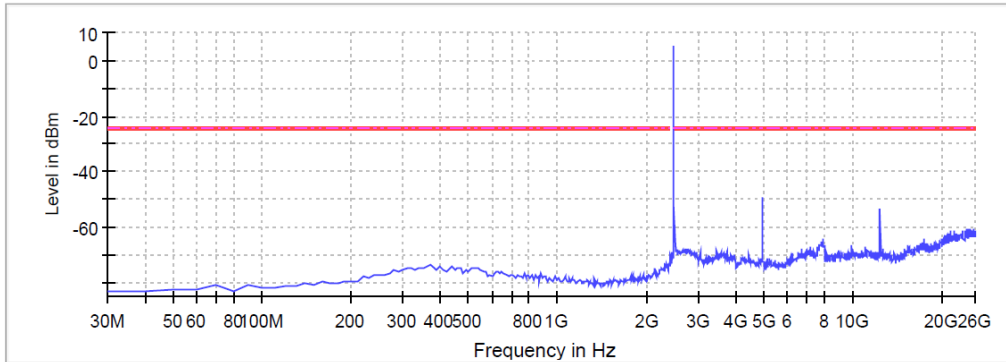
Radio Technology = Bluetooth LE 2 Mbps, Operating Frequency = low



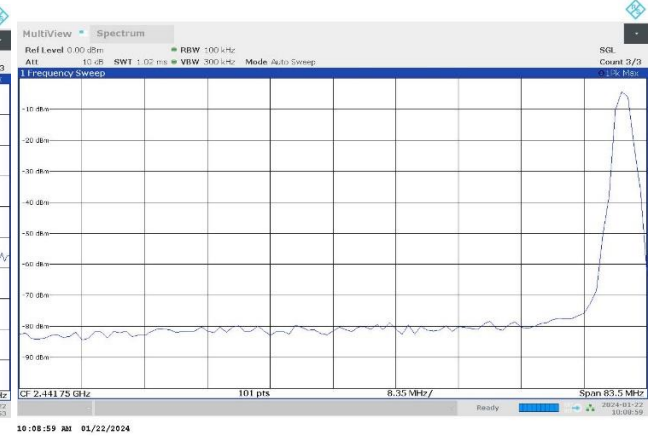
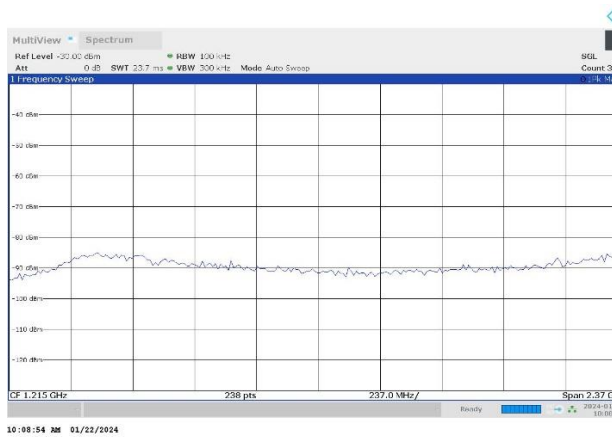
Radio Technology = Bluetooth LE 2 Mbps, Operating Frequency = mid



Radio Technology = Bluetooth LE 2 Mbps, Operating Frequency = high



Frequency (MHz)	Level (dBm)
4953.132440	-49.5
12402.023810	-53.7
12392.025298	-54.1
24250.260417	-60.4
25790.031250	-60.8
24750.186012	-60.8
24860.169643	-60.9
25630.055060	-61.0
25680.047619	-61.0
24880.166667	-61.1
25530.069940	-61.1
24680.196429	-61.1
25310.102679	-61.1
24890.165179	-61.3
25880.017857	-61.3



10:08:54 AM 01/22/2024

10:08:59 AM 01/22/2024



10:09:14 AM 01/22/2024

### 5.5.5 TEST EQUIPMENT USED

- R&S TS8997

## 5.6 TRANSMITTER SPURIOUS RADIATED EMISSIONS

Standard **FCC Part 15 Subpart C**

**The test was performed according to:**

ANSI C63.10, chapter 6.4, 6.5, 6.6.5

### 5.6.1 TEST DESCRIPTION

The test set-up was made in accordance to the general provisions of ANSI C63.10 in a typical installation configuration. The measurements were performed according the following sub-chapters of ANSI C63.10:

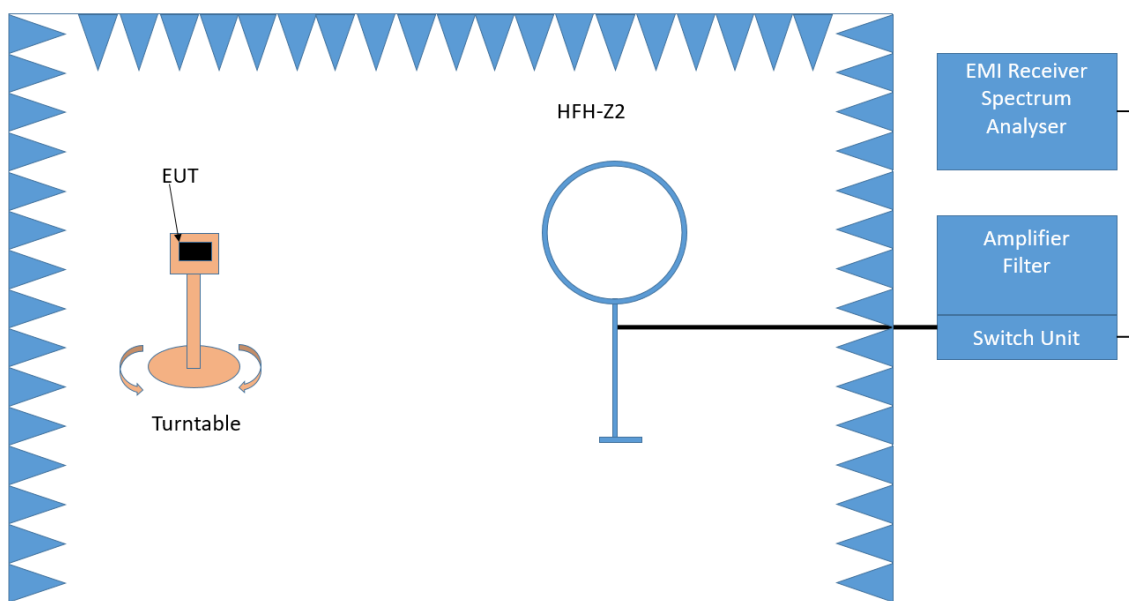
- < 30 MHz: Chapter 6.4
- 30 MHz – 1 GHz: Chapter 6.5
- > 1 GHz: Chapter 6.6 (procedure according 6.6.5 used)

The measurement procedure is implemented into the EMI test software EMC32 from R&S. Exploratory tests are performed at 3 orthogonal axes to determine the worst-case orientation of a body-worn or handheld EUT. The final test on all kind of EUTs is also performed at 3 axes. A pre-check is performed while the EUT is powered.

#### **Below 1 GHz:**

The Equipment Under Test (EUT) was set up on a non-conductive table in the semi-anechoic chamber. The influence of the EUT support table that is used between 30–1000 MHz was evaluated.

#### **1. Measurement up to 30 MHz**



Test Setup; Spurious Emission Radiated (SAC), 9 kHz – 30 MHz



The Loop antenna HFH2-Z2 is used.

**Step 1:** pre measurement

- Anechoic chamber
- Antenna distance: 3 m
- Antenna height: 1 m
- Detector: Peak-Maxhold
- Frequency range: 0.009 - 0.15 MHz and 0.15 - 30 MHz
- Frequency steps: 0.05 kHz and 2.25 kHz
- IF-Bandwidth: 0.2 kHz and 9 kHz
- Measuring time / Frequency step: 100 ms (FFT-based)

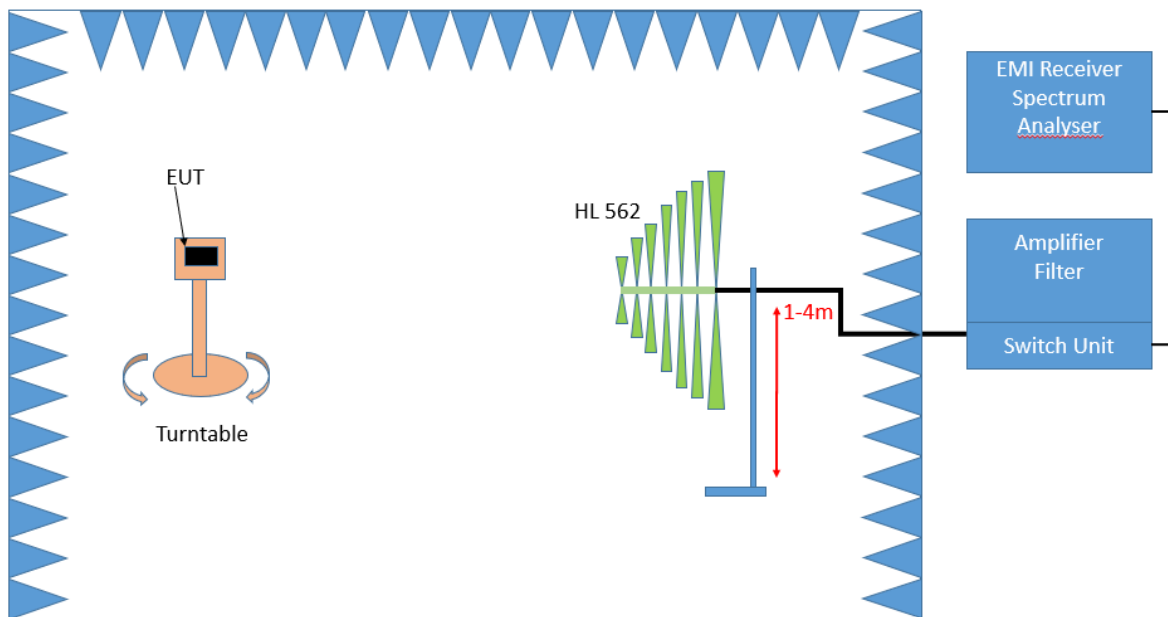
Intention of this step is, to determine the radiated EMI-profile of the EUT. Afterwards the relevant emissions for the final measurement are identified.

**Step 2:** final measurement

For the relevant emissions determined in step 1, an additional measurement with the following settings will be performed. Intention of this step is to find the maximum emission level.

- Detector: Quasi-Peak (9 kHz - 150 kHz, Peak / Average 150 kHz- 30 MHz)
- Frequency range: 0.009 - 30 MHz
- Frequency steps: measurement at frequencies detected in step 1
- IF-Bandwidth: 0.2 - 10 kHz
- Measuring time / Frequency step: 1 s

**2. Measurement above 30 MHz and up to 1 GHz**



Test Setup; Spurious Emission Radiated (SAC), 30 MHz- 1GHz

**Step 1:** Preliminary scan

This is a preliminary test to identify the highest amplitudes relative to the limit.

Settings for step 1:

- Antenna distance: 3 m
- Detector: Peak-Maxhold / Quasipeak (FFT-based)
- Frequency range: 30 - 1000 MHz
- Frequency steps: 30 kHz
- IF-Bandwidth: 120 kHz

- Measuring time / Frequency step: 100 ms
- Turntable angle range:  $-180^{\circ}$  to  $90^{\circ}$
- Turntable step size:  $90^{\circ}$
- Height variation range: 1 – 4 m
- Height variation step size: 1.5 m
- Polarisation: Horizontal + Vertical

Intention of this step is, to determine the radiated EMI-profile of the EUT. Afterwards the relevant emissions for the final measurement are identified.

### **Step 2:** Adjustment measurement

In this step the accuracy of the turntable azimuth and antenna height will be improved. This is necessary to find out the maximum value of every frequency.

For each frequency, which was determined the turntable azimuth and antenna height will be adjusted. The turntable azimuth will slowly vary by  $360^{\circ}$ . During this action, the value of emission is continuously measured. The turntable azimuth at the highest emission will be recorded and adjusted. In this position, the antenna height will also slowly vary between 1 – 4 meter. During this action, the value of emission is also continuously measured. The antenna height of the highest emission will also be recorded and adjusted.

- Detector: Peak – Maxhold
- Measured frequencies: in step 1 determined frequencies
- IF – Bandwidth: 120 kHz
- Measuring time: 100 ms
- Turntable angle range:  $360^{\circ}$
- Height variation range: 1 – 4 m
- Antenna Polarisation: max. value determined in step 1

### **Step 3:** Final measurement with QP detector

With the settings determined in step 2, the final measurement will be performed:

EMI receiver settings for step 3:

- Detector: Quasi-Peak ( $< 1$  GHz)
- Measured frequencies: in step 1 determined frequencies
- IF – Bandwidth: 120 kHz
- Measuring time: 1 s

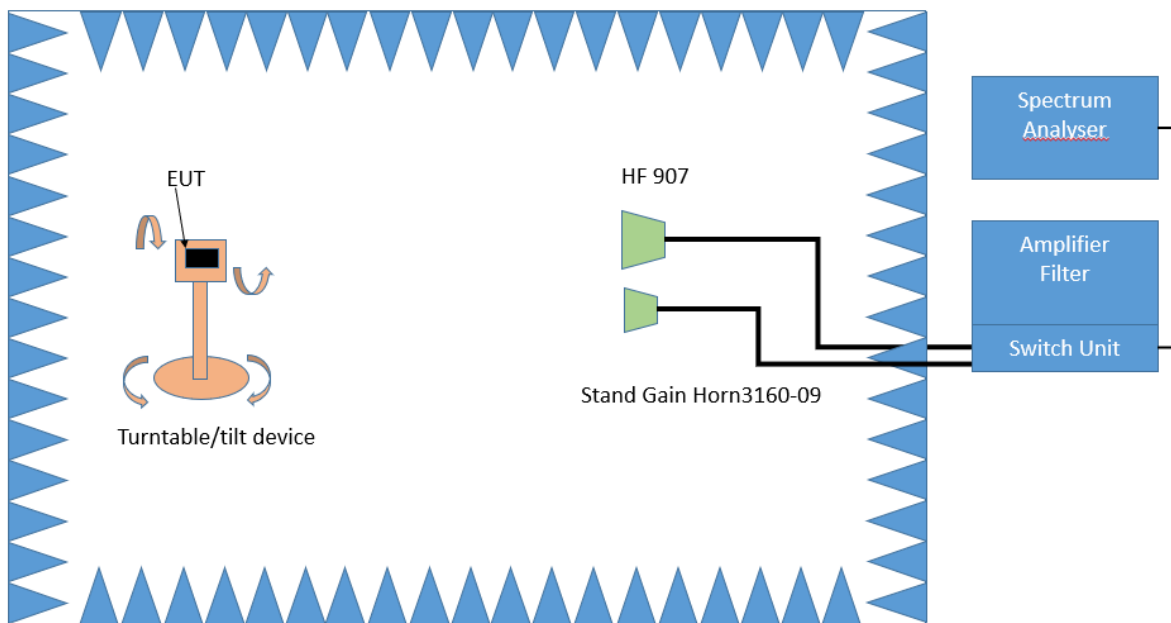
After the measurement a plot will be generated which contains a diagram with the results of the preliminary scan and a chart with the frequencies and values of the results of the final measurement.

### Above 1 GHz:

The Equipment Under Test (EUT) was set up on a non-conductive support (tilt device) at 1.5 m height in the fully-anechoic chamber.

All steps were performed with one height (1.5 m) of the receiving antenna only.

### 3. Measurement above 1 GHz



Test Setup; Spurious Emission Radiated (FAC), 1 GHz-26.5 GHz

#### Step 1:

The EUT is turned during the preliminary measurement across the elevation axis, with a step size of 90 °.

The turn table step size (azimuth angle) for the preliminary measurement is 45 °.

Spectrum analyser settings:

- Detector: Peak, Average
- RBW = 1 MHz
- VBW = 3 MHz

#### Step 2:

The turn table azimuth will slowly vary by  $\pm 22.5^\circ$ .

The elevation angle will slowly vary by  $\pm 45^\circ$

Spectrum analyser settings:

- Detector: Peak

#### Step 3:

Spectrum analyser settings for step 3:

- Detector: Peak / CISPR Average
- Measured frequencies: in step 1 determined frequencies
- RBW = 1 MHz
- VBW = 3 MHz
- Measuring time: 1 s

### 5.6.2 TEST REQUIREMENTS / LIMITS

FCC Part 15, Subpart C, §15.247 (d)

... In addition, radiated emissions which fall in the restricted bands, as defined in Section 15.205(a), must also comply with the radiated emission limits specified in Section 15.209(a) (see Section 15.205(c)).

FCC Part 15, Subpart C, §15.209, Radiated Emission Limits

Frequency in MHz	Limit (µV/m)	Measurement distance (m)	Limits (dBµV/m)
0.009 – 0.49	2400/F(kHz)@300m	3	(48.5 – 13.8)@300m
0.49 – 1.705	24000/F(kHz)@30m	3	(33.8 – 23.0)@30m
1.705 – 30	30@30m	3	29.5@30m

The measured values are corrected with an inverse linear distance extrapolation factor (40 dB/decade) according FCC 15.31 (2).

Frequency in MHz	Limit (µV/m)	Measurement distance (m)	Limits (dBµV/m)
30 – 88	100@3m	3	40.0@3m
88 – 216	150@3m	3	43.5@3m
216 – 960	200@3m	3	46.0@3m
960 – 26000	500@3m	3	54.0@3m
26000 - 40000	500@3m	1	54.0@3m

The measured values above 26 GHz are corrected with an inverse linear distance extrapolation factor (20 dB/decade).

§15.35(b) ..., there is also a limit on the radio frequency emissions, as measured using instrumentation with a peak detector function, corresponding to 20 dB above the maximum permitted average limit....

Used conversion factor: Limit (dBµV/m) = 20 log (Limit (µV/m)/1µV/m)

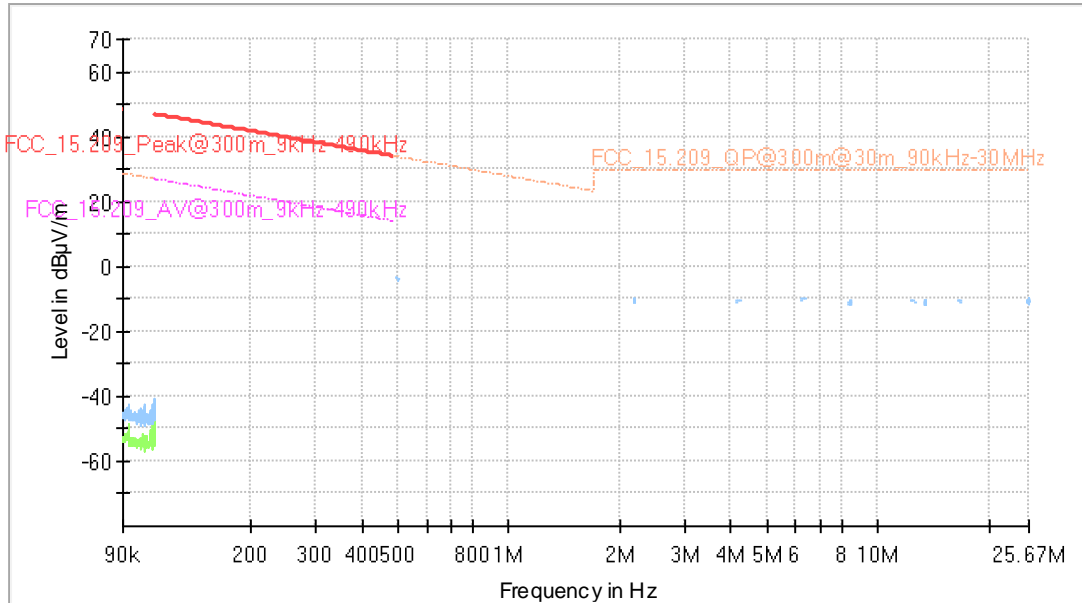
### 5.6.3 TEST PROTOCOL

Ch.		Applied duty cycle correction (AV) [dB]:									
Ch. No.	Center Freq. [MHz]	Spurious Freq. [MHz]	Spurious Level [dBµV/m]	Detector	RBW [kHz]	Limit [dBµV/m]	Margin to Limit [dB]	Limit Type			
0	2402	998.5	36.3	QP	120	54.0	17.7	RB			
0	2402	1327.3	33.0	AV	1000	54.0	21.0	RB			
0	2402	1327.3	51.9	PEAK	1000	74.0	22.1	RB			
0	2402	1331.0	33.1	AV	1000	54.0	20.9	RB			
0	2402	1331.0	51.2	PEAK	1000	74.0	22.8	RB			
0	2402	3983.4	33.2	AV	1000	54.0	20.8	RB			
0	2402	3983.4	58.3	PEAK	1000	74.0	15.7	RB			
0	2402	3992.4	33.5	AV	1000	54.0	20.5	RB			
0	2402	3992.4	58.1	PEAK	1000	74.0	15.9	RB			
0	2402	4803.6	48.5	AV	1000	54.0	5.5	RB			
0	2402	4803.6	56.3	PEAK	1000	74.0	17.7	RB			
19	2440	995.9	35.8	QP	120	54.0	18.2	RB			
19	2440	1329.0	55.8	PEAK	1000	74.0	18.2	RB			
19	2440	1329.0	33.7	AV	1000	54.0	20.3	RB			
19	2440	4880.1	42.2	AV	1000	54.0	11.8	RB			
19	2440	4880.1	51.6	PEAK	1000	74.0	22.4	RB			
39	2480	331.9	31.2	QP	120	46.0	14.9	RB			
39	2480	2483.6	38.3	AV	1000	54.0	15.7	RB			
39	2480	2483.6	51.5	PEAK	1000	74.0	22.5	RB			
39	2480	4960.0	39.2	AV	1000	54.0	14.8	RB			
39	2480	4960.0	50.0	PEAK	1000	74.0	24.0	RB			

Remark: Please see next sub-clause for the measurement plot.

### 5.6.4 MEASUREMENT PLOT (EXAMPLE PLOT, SHOWING WORST CASE, IF APPLICABLE)

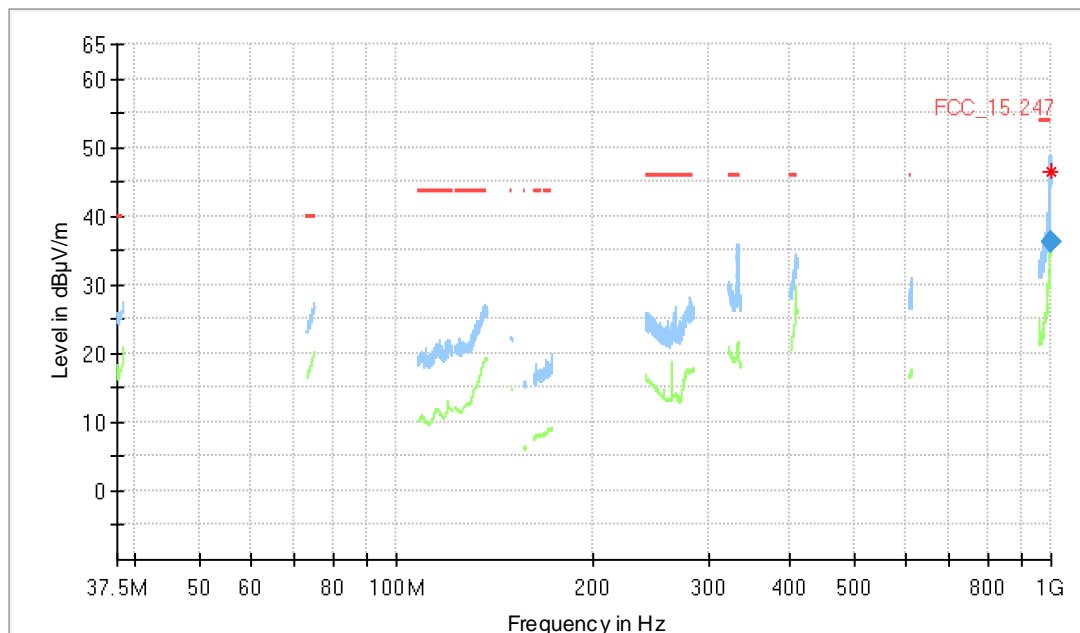
Radio Technology = Bluetooth LE 1 Mbps, Operating Frequency = mid, measurement range 9 KHz – 30 MHz



### Final Result

Frequency (MHz)	MaxPeak (dBµV/m)	QuasiPeak (dBµV/m)	Limit (dBµV/m)	Margin (dB)	Meas. Time (ms)	Bandwidth (kHz)	Height (cm)	Azimuth h (deg)	Corr. (dB/m)
---	---	---	---	---	---	---	---	---	---

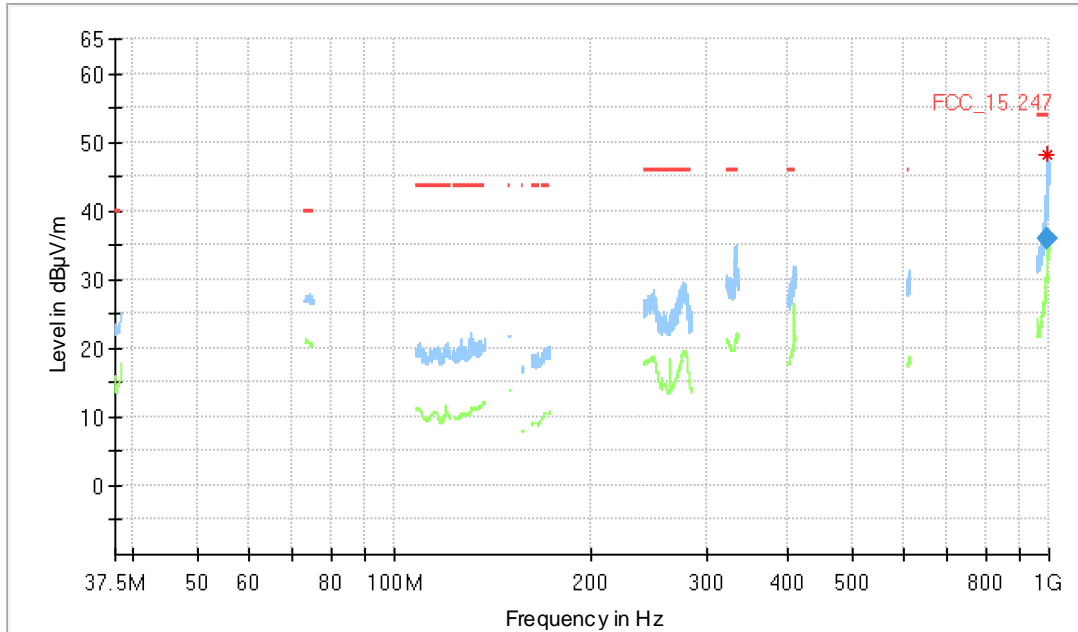
Radio Technology = Bluetooth LE 1 Mbps, Operating Frequency = low, measurement range 30 MHz – 1 GHz



### Final\_Result

Frequency (MHz)	QuasiPeak (dBµV/m)	Limit (dBµV/m)	Margin (dB)	Meas. Time (ms)	Bandwidth (kHz)	Height (cm)	Pol	Azimuth (deg)	Corr. (dB/m)
998.520000	36.32	54.00	17.68	1000.0	120.000	120.0	V	326.0	26.2

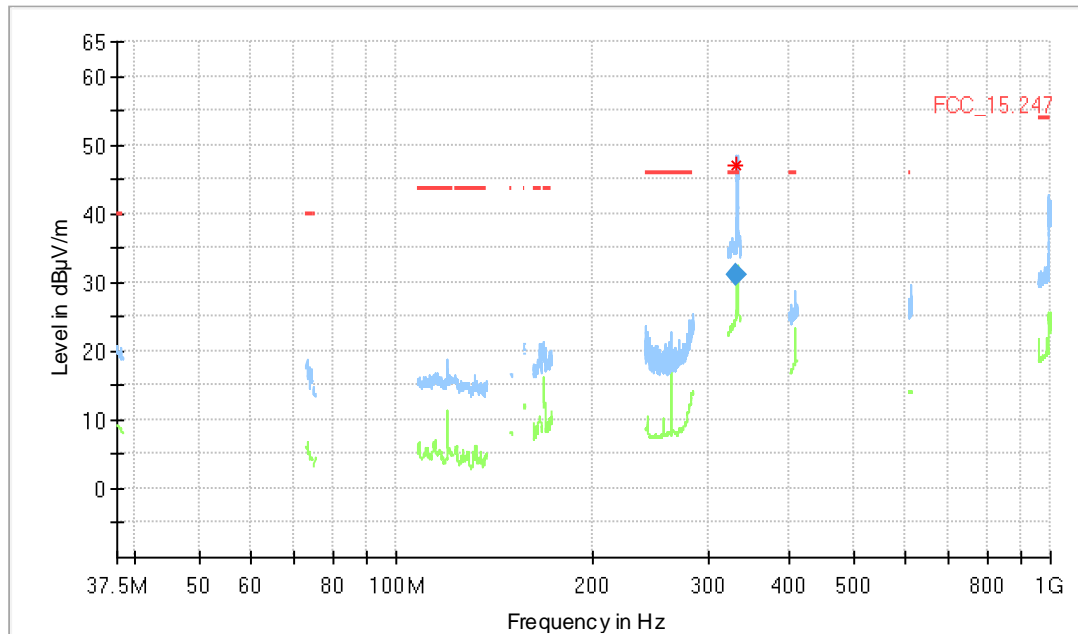
Radio Technology = Bluetooth LE 1 Mbps, Operating Frequency = mid, measurement range 30 MHz – 1 GHz



### Final\_Result

Frequency (MHz)	QuasiPeak (dBµV/m)	Limit (dBµV/m)	Margin (dB)	Meas. Time (ms)	Bandwidth (kHz)	Height (cm)	Pol	Azimuth (deg)	Corr. (dB/m)
995.850000	35.78	54.00	18.22	1000.0	120.000	137.0	V	315.0	26.1

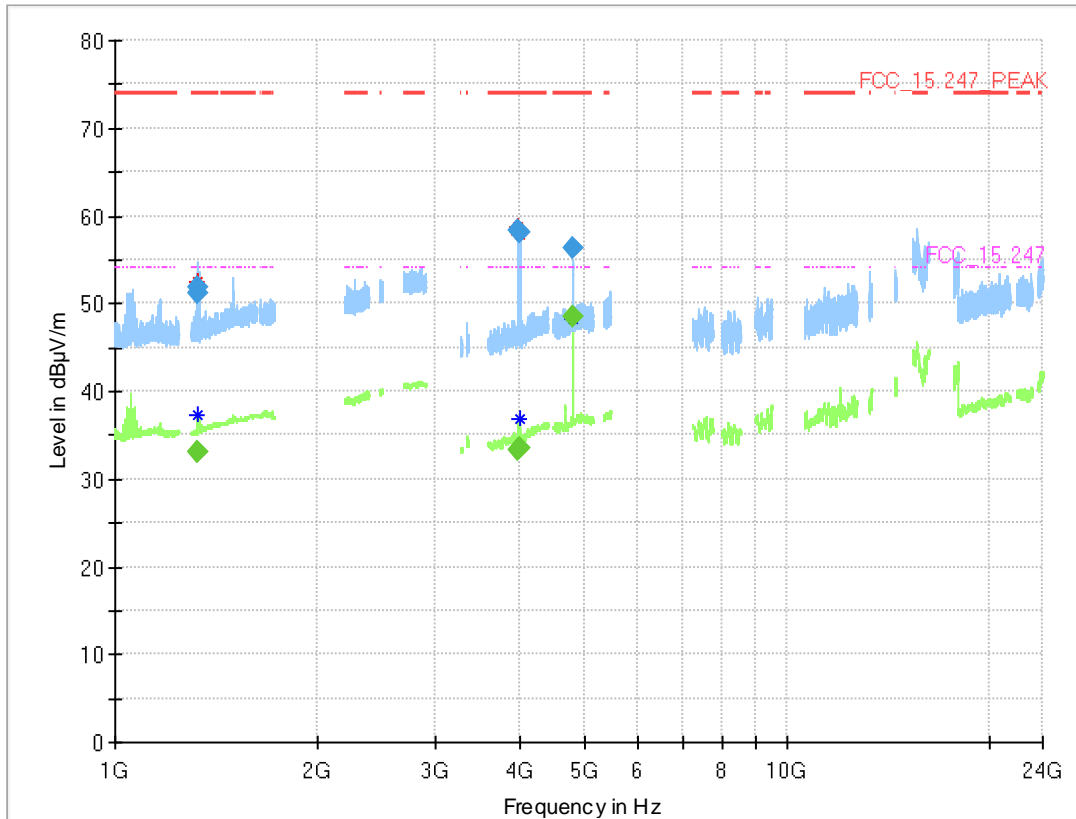
Radio Technology = Bluetooth LE 1 Mbps, Operating Frequency = high, measurement range 30 MHz - 1 GHz



### Final Result

Frequency (MHz)	QuasiPeak (dBµV/m)	Limit (dBµV/m)	Margin (dB)	Meas. Time (ms)	Bandwidth (kHz)	Height (cm)	Pol	Azimuth (deg)	Corr. (dB/m)
331.900000	31.15	46.00	14.85	1000.0	120.000	126.0	V	112.0	14.7

Radio Technology = Bluetooth LE 1 Mbps, Operating Frequency = low, measurement range 1 GHz – 24 GHz

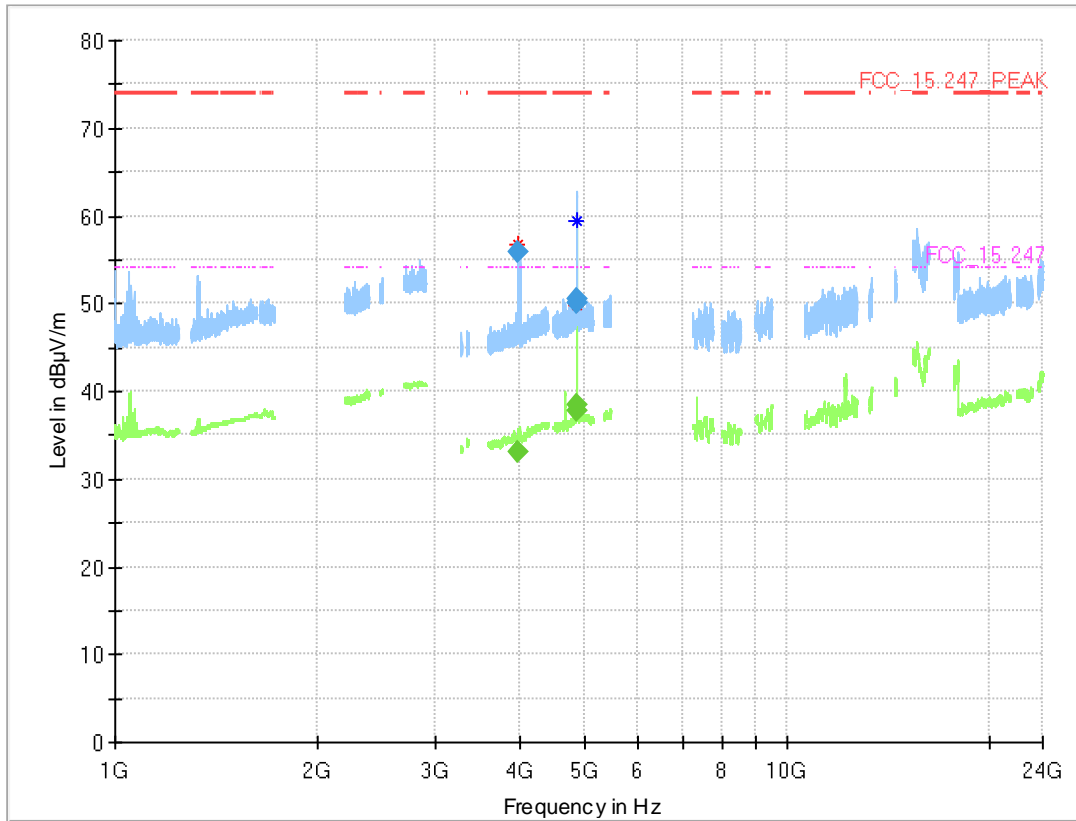


### Final\_Result

Frequency (MHz)	MaxPeak (dBµV/m)	CAverage (dBµV/m)	Limit (dBµV/m)	Margin (dB)	Meas. Time (ms)	Bandwidth (kHz)	Height (cm)	Pol	Azimuth (deg)	Elevation (deg)	Corr. (dB/m)
1327.305	---	33.0	54.00	20.95	1000.0	1000.000	150.0	H	-19.0	10.0	3.3
1327.305	51.9	---	74.00	22.07	1000.0	1000.000	150.0	H	-19.0	10.0	3.3
1330.988	---	33.1	54.00	20.92	1000.0	1000.000	150.0	H	-6.0	105.0	3.3
1330.988	51.2	---	74.00	22.81	1000.0	1000.000	150.0	H	-6.0	105.0	3.3
3983.400	---	33.2	54.00	20.80	1000.0	1000.000	150.0	H	-29.0	6.0	4.2
3983.400	58.3	---	74.00	15.66	1000.0	1000.000	150.0	H	-29.0	6.0	4.2
3992.400	---	33.5	54.00	20.54	1000.0	1000.000	150.0	H	-30.0	101.0	4.2
3992.400	58.1	---	74.00	15.88	1000.0	1000.000	150.0	H	-30.0	101.0	4.2
4803.550	---	48.5	54.00	5.51	1000.0	1000.000	150.0	V	146.0	15.0	6.1
4803.550	56.3	---	74.00	17.72	1000.0	1000.000	150.0	V	146.0	15.0	6.1



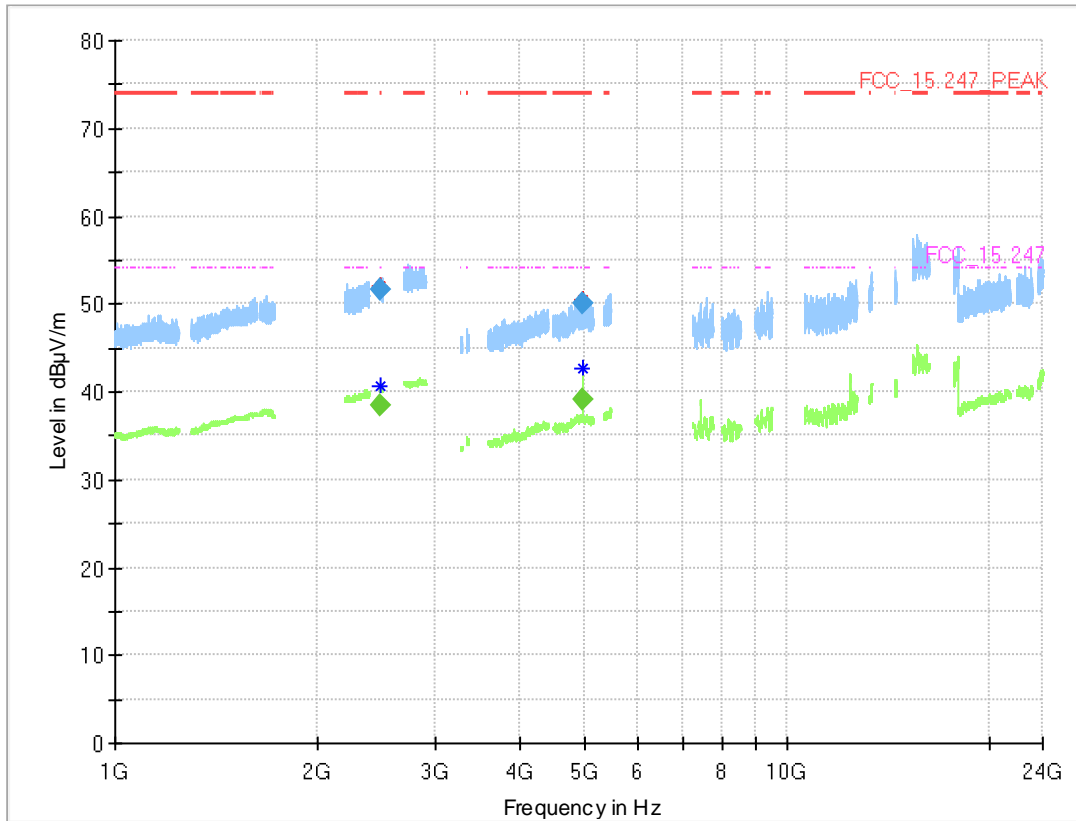
Radio Technology = Bluetooth LE 1 Mbps, Operating Frequency = mid, measurement range 1 GHz – 24 GHz



### Final\_Result

Frequency (MHz)	MaxPeak (dBµV/m)	CAverage (dBµV/m)	Limit (dBµV/m)	Margin (dB)	Meas. Time (ms)	Bandwidth (kHz)	Height (cm)	Pol	Azimuth (deg)	Elevation (deg)	Corr. (dB/m)
3987.800	55.9	---	74.00	18.06	1000.0	1000.000	150.0	H	71.0	78.0	4.3
3987.800	---	33.1	54.00	20.92	1000.0	1000.000	150.0	H	71.0	78.0	4.3
4880.088	50.1	---	74.00	23.86	1000.0	1000.000	150.0	V	114.0	105.0	6.1
4880.088	---	38.4	54.00	15.56	1000.0	1000.000	150.0	V	114.0	105.0	6.1
4880.413	---	37.7	54.00	16.26	1000.0	1000.000	150.0	V	113.0	86.0	6.1
4880.413	50.4	---	74.00	23.57	1000.0	1000.000	150.0	V	113.0	86.0	6.1

Radio Technology = Bluetooth LE 1 Mbps, Operating Frequency = high, measurement range 1 GHz – 24 GHz



### Final Result

Frequency (MHz)	MaxPeak (dBµV/m)	CAverage (dBµV/m)	Limit (dBµV/m)	Margin (dB)	Meas. Time (ms)	Bandwidth (kHz)	Height (cm)	Pol	Azimuth (deg)	Elevation (deg)	Corr. (dB/m)
2483.583	---	38.3	54.00	15.67	1000.0	1000.000	150.0	H	109.0	-2.0	7.8
2483.583	51.5	---	74.00	22.49	1000.0	1000.000	150.0	H	109.0	-2.0	7.8
4960.038	---	39.2	54.00	14.79	1000.0	1000.000	150.0	H	-86.0	6.0	5.9
4960.038	50.0	---	74.00	23.97	1000.0	1000.000	150.0	H	-86.0	6.0	5.9

### 5.6.5 TEST EQUIPMENT USED

- Radiated Emissions FAR 2.4 GHz FCC
- Radiated Emissions SAC H-Field
- Radiated Emissions SAC up to 1 GHz

## 5.7 BAND EDGE COMPLIANCE CONDUCTED

Standard **FCC Part 15 Subpart C**

**The test was performed according to:**  
ANSI C63.10, chapter 11.11

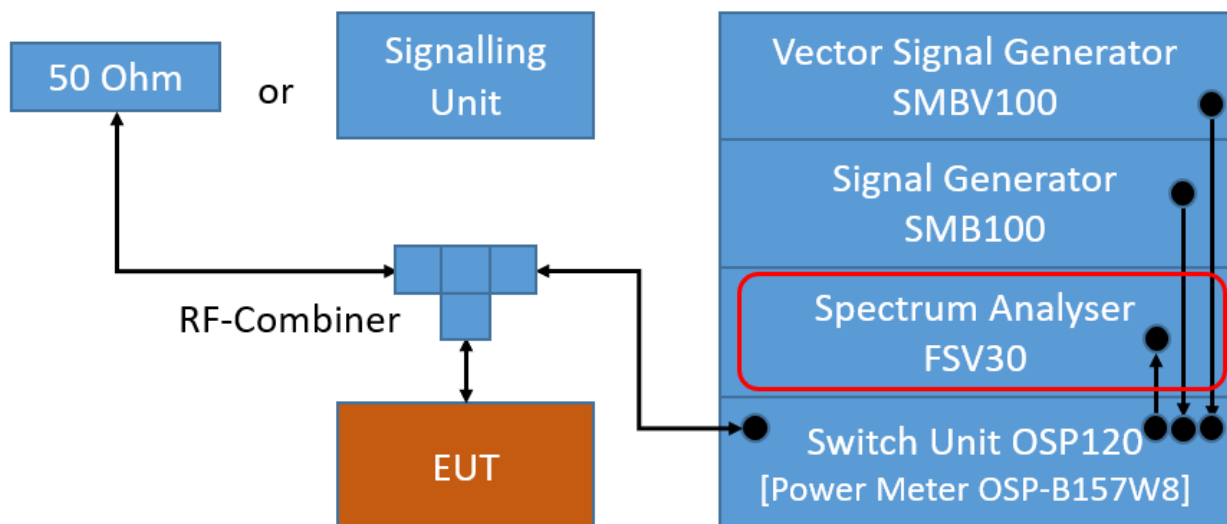
### 5.7.1 TEST DESCRIPTION

For the conducted measurement, the Equipment Under Test (EUT) is placed in a shielded room. The reference power was measured in the test case "Spurious RF Conducted Emissions".

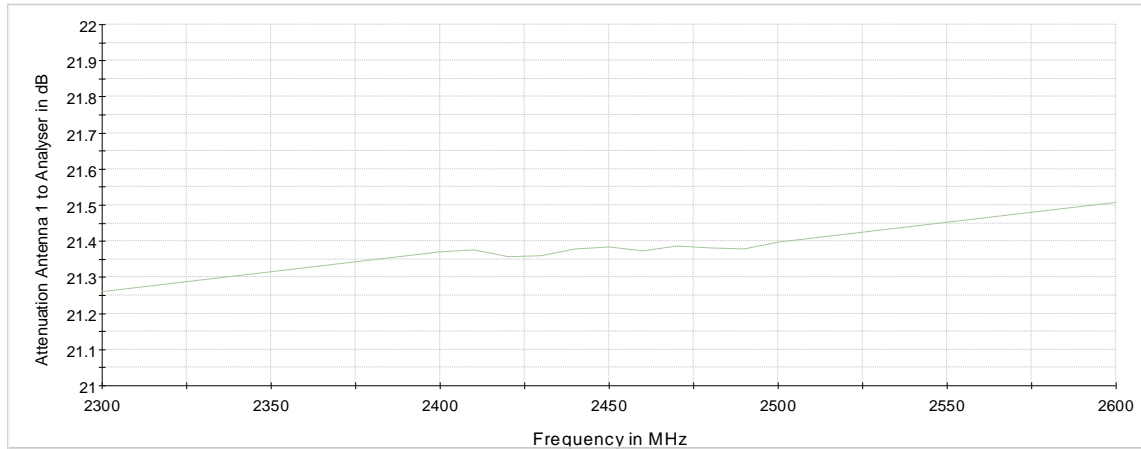
The EUT was connected to the test system as described in the block diagram below. The complete attenuation of the measurement path is known and considered.

Analyser settings:

- Lower Band Edge:  
Measured range: 2310.0 MHz to 2483.5 MHz  
Upper Band Edge  
Measured range: 2400.0 MHz to 2500 MHz
- Detector: Peak
- Resolution Bandwidth (RBW): 100 kHz
- Video Bandwidth (VBW): 300 kHz
- Sweptime: Auto
- Sweeps: Till stable (min. 300, max. 15000)
- Trace: Maxhold



TS8997; Band Edge Conducted



Attenuation of the measurement path

### 5.7.2 TEST REQUIREMENTS / LIMITS

#### FCC Part 15.247 (d)

"In any 100 kHz bandwidth outside the frequency band in which the spread spectrum or digitally modulated intentional radiator is operating, the radio frequency power that is produced by the intentional radiator shall be at least 20 dB below that in the 100 kHz bandwidth within the band that contains the highest level of the desired power, based on either an RF conducted or a radiated measurement, provided the transmitter demonstrates compliance with the peak conducted power limits. ...

If the transmitter complies with the conducted power limits based on the use of RMS averaging over a time interval, as permitted under paragraph (b)(3) of this section, the attenuation required under this paragraph shall be 30 dB instead of 20 dB. Attenuation below the general limits specified in Section 15.209(a) is not required. In addition, radiated emissions which fall in the restricted bands, as defined in Section 15.205(a), must also comply with the radiated emission limits specified in Section 15.209(a) (see Section 15.205(c))."

For the conducted measurement the RF power at the band edge shall be "at least 20 dB below that in the 100 kHz bandwidth within the band that contains the highest level of the desired power..."

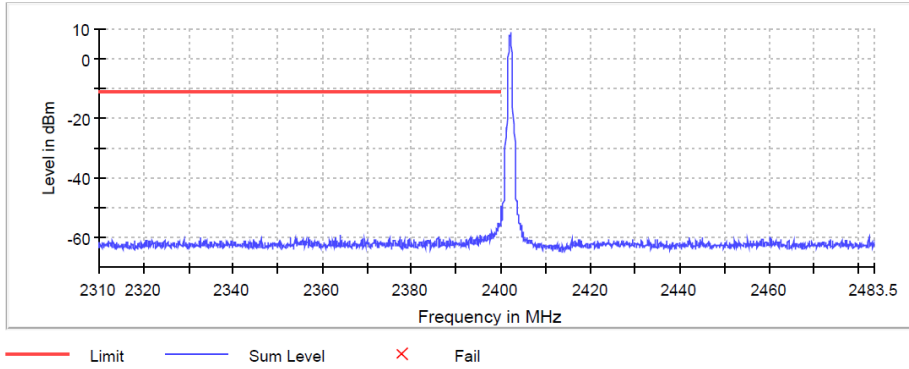
### 5.7.3 TEST PROTOCOL

<b>Ambient temperature:</b>	23 - 25 °C							
<b>Air Pressure:</b>	990 - 1024 hPa							
<b>Humidity:</b>	30 - 40%							
<b>BT LE 1 Mbit/s</b>								
Channel No.	Channel Center Frequency [MHz]	Band Edge Freq. [MHz]	Spurious Level [dBm]	Detector	RBW [kHz]	Ref. Level [dBm]	Limit [dBm]	Margin to Limit [dB]
0	2402	2400.0	-49.5	PEAK	100	8.9	-11.1	38.4
39	2480	2483.5	-57.2	PEAK	100	8.4	-11.6	45.6
<b>BT LE 2 Mbit/s</b>								
Channel No.	Channel Center Frequency [MHz]	Band Edge Freq. [MHz]	Spurious Level [dBm]	Detector	RBW [kHz]	Ref. Level [dBm]	Limit [dBm]	Margin to Limit [dB]
0	2402	2400.0	-24.2	PEAK	100	7.0	-13.0	11.2
39	2480	2483.5	-52.6	PEAK	100	7.0	-13.0	39.6

Remark: Please see next sub-clause for the measurement plot.

### 5.7.4 MEASUREMENT PLOT (EXAMPLE PLOT, SHOWING WORST CASE, IF APPLICABLE)

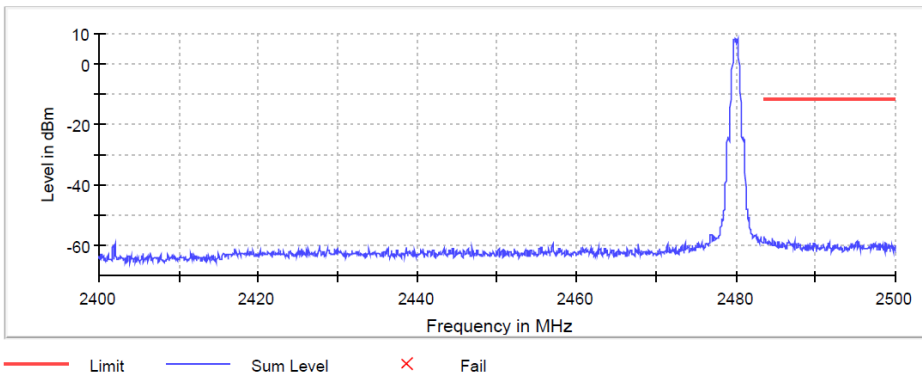
Radio Technology = Bluetooth LE 1 Mbps, Operating Frequency = low, Band Edge = low



Frequency (MHz)	Level (dBm)	Margin (dB)	Limit (dBm)	Result
2399.975000	-49.5	38.4	-11.1	PASS
2399.925000	-49.8	38.6	-11.1	PASS
2399.875000	-53.3	42.2	-11.1	PASS
2399.825000	-55.0	43.8	-11.1	PASS
2399.775000	-55.0	43.8	-11.1	PASS
2399.725000	-55.1	44.0	-11.1	PASS
2399.675000	-55.2	44.0	-11.1	PASS
2399.625000	-55.7	44.5	-11.1	PASS
2399.575000	-55.9	44.8	-11.1	PASS
2399.525000	-56.0	44.9	-11.1	PASS
2399.475000	-56.1	45.0	-11.1	PASS
2399.425000	-56.1	45.0	-11.1	PASS
2399.375000	-56.7	45.5	-11.1	PASS
2399.325000	-56.8	45.7	-11.1	PASS
2399.275000	-56.8	45.7	-11.1	PASS

Setting	Instrument Value	Setting	Instrument Value
Start Frequency	2.31000 GHz	Start Frequency	2.40000 GHz
Stop Frequency	2.40000 GHz	Stop Frequency	2.48350 GHz
Span	90.000 MHz	Span	83.500 MHz
RBW	100.000 kHz	RBW	100.000 kHz
VBW	300.000 kHz	VBW	300.000 kHz
SweepPoints	1800	SweepPoints	1670
SweepTime	1.800 ms	SweepTime	1.670 ms
Reference Level	0.000 dBm	Reference Level	0.000 dBm
Attenuation	10.000 dB	Attenuation	10.000 dB
Detector	MaxPeak	Detector	MaxPeak
SweepCount	100	SweepCount	100
Filter	3 dB	Filter	3 dB
Trace Mode	Max Hold	Trace Mode	Max Hold
SweepType	Sweep	SweepType	Sweep
Preamp	off	Preamp	off
Stablemode	Trace	Stablemode	Trace
Stablevalue	0.50 dB	Stablevalue	0.50 dB
Run	7 / max. 150	Run	10 / max. 150
Stable	3 / 3	Stable	3 / 3
Max Stable Difference	0.00 dB	Max Stable Difference	0.43 dB

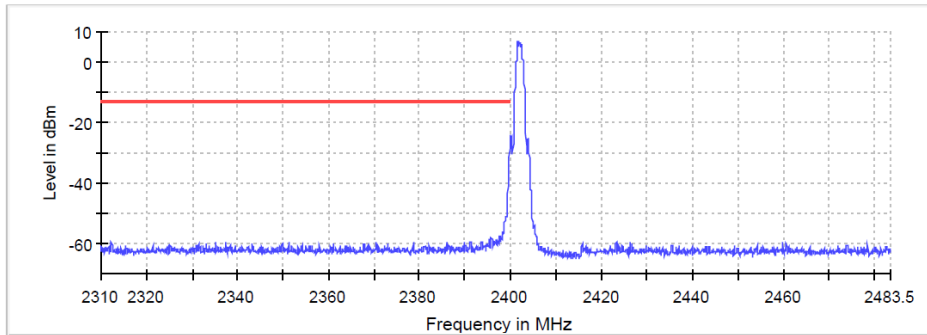
Radio Technology = Bluetooth LE 1 Mbps, Operating Frequency = high, Band Edge = high



Frequency (MHz)	Level (dBm)	Margin (dB)	Limit (dBm)	Result
2483.625000	-57.2	45.6	-11.6	PASS
2484.575000	-57.3	45.7	-11.6	PASS
2483.675000	-57.6	46.0	-11.6	PASS
2483.575000	-57.8	46.2	-11.6	PASS
2483.775000	-57.9	46.3	-11.6	PASS
2483.525000	-58.0	46.4	-11.6	PASS
2483.725000	-58.1	46.5	-11.6	PASS
2484.825000	-58.3	46.7	-11.6	PASS
2486.725000	-58.4	46.8	-11.6	PASS
2485.225000	-58.5	46.9	-11.6	PASS
2484.275000	-58.5	46.9	-11.6	PASS
2486.675000	-58.6	47.0	-11.6	PASS
2485.375000	-58.6	47.0	-11.6	PASS
2495.175000	-58.6	47.0	-11.6	PASS
2487.375000	-58.7	47.0	-11.6	PASS

Setting	Instrument Value	Setting	Instrument Value
Start Frequency	2.40000 GHz	Start Frequency	2.48350 GHz
Stop Frequency	2.48350 GHz	Stop Frequency	2.50000 GHz
Span	83.500 MHz	Span	16.500 MHz
RBW	100.000 kHz	RBW	100.000 kHz
VBW	300.000 kHz	VBW	300.000 kHz
SweepPoints	1670	SweepPoints	330
SweepTime	1.670 ms	SweepTime	1.010 ms
Reference Level	0.000 dBm	Reference Level	0.000 dBm
Attenuation	10.000 dB	Attenuation	10.000 dB
Detector	MaxPeak	Detector	MaxPeak
SweepCount	100	SweepCount	100
Filter	3 dB	Filter	3 dB
Trace Mode	Max Hold	Trace Mode	Max Hold
SweepType	Sweep	SweepType	Sweep
Preamp	off	Preamp	off
Stablemode	Trace	Stablemode	Trace
Stablevalue	0.50 dB	Stablevalue	0.50 dB
Run	8 / max. 150	Run	4 / max. 150
Stable	3 / 3	Stable	3 / 3
Max Stable Difference	0.12 dB	Max Stable Difference	0.00 dB

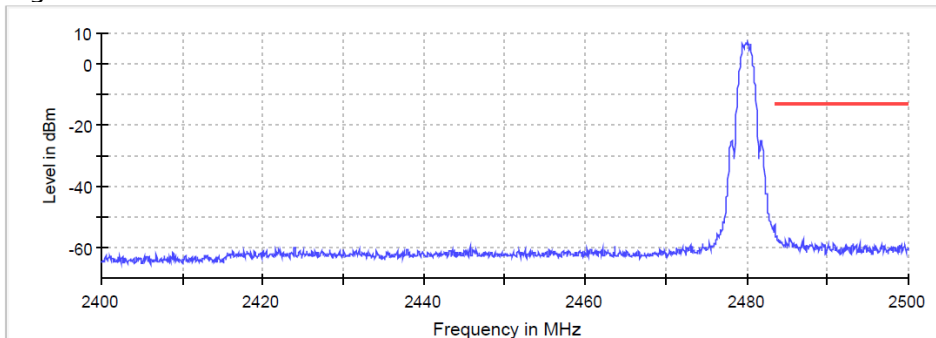
Radio Technology = Bluetooth LE 2 Mbps, Operating Frequency = low, Band Edge = low



Frequency (MHz)	Level (dBm)	Margin (dB)	Limit (dBm)	Result
2399.975000	-24.2	11.2	-13.0	PASS
2399.925000	-26.1	13.1	-13.0	PASS
2399.875000	-27.9	14.9	-13.0	PASS
2399.825000	-28.3	15.3	-13.0	PASS
2399.775000	-31.5	18.5	-13.0	PASS
2399.725000	-32.8	19.8	-13.0	PASS
2399.675000	-35.2	22.2	-13.0	PASS
2399.625000	-37.8	24.8	-13.0	PASS
2399.575000	-39.9	26.9	-13.0	PASS
2399.525000	-41.0	28.0	-13.0	PASS
2399.475000	-41.1	28.1	-13.0	PASS
2399.425000	-43.3	30.3	-13.0	PASS
2399.375000	-45.1	32.1	-13.0	PASS
2399.325000	-46.4	33.4	-13.0	PASS
2399.275000	-48.4	35.4	-13.0	PASS

Setting	Instrument Value	Setting	Instrument Value
Start Frequency	2.31000 GHz	Start Frequency	2.40000 GHz
Stop Frequency	2.40000 GHz	Stop Frequency	2.48350 GHz
Span	90.000 MHz	Span	83.500 MHz
RBW	100.000 kHz	RBW	100.000 kHz
VBW	300.000 kHz	VBW	300.000 kHz
SweepPoints	1800	SweepPoints	1670
SweepTime	1.800 ms	SweepTime	1.670 ms
Reference Level	0.000 dBm	Reference Level	0.000 dBm
Attenuation	10.000 dB	Attenuation	10.000 dB
Detector	MaxPeak	Detector	MaxPeak
SweepCount	100	SweepCount	100
Filter	3 dB	Filter	3 dB
Trace Mode	Max Hold	Trace Mode	Max Hold
SweepType	Sweep	SweepType	Sweep
Preamp	off	Preamp	off
Stablemode	Trace	Stablemode	Trace
Stablevalue	0.50 dB	Stablevalue	0.50 dB
Run	11 / max. 150	Run	9 / max. 150
Stable	3 / 3	Stable	3 / 3
Max Stable Difference	0.00 dB	Max Stable Difference	0.16 dB

Radio Technology = Bluetooth LE 2 Mbps, Operating Frequency = high, Band Edge = high



Frequency (MHz)	Level (dBm)	Margin (dB)	Limit (dBm)	Result
2483.525000	-52.6	39.7	-13.0	PASS
2483.575000	-52.9	40.0	-13.0	PASS
2483.625000	-55.4	42.4	-13.0	PASS
2483.775000	-55.9	42.9	-13.0	PASS
2483.825000	-56.4	43.4	-13.0	PASS
2483.725000	-56.7	43.7	-13.0	PASS
2483.675000	-56.7	43.8	-13.0	PASS
2485.275000	-57.2	44.2	-13.0	PASS
2485.475000	-57.4	44.4	-13.0	PASS
2487.025000	-57.4	44.5	-13.0	PASS
2484.075000	-57.6	44.6	-13.0	PASS
2484.875000	-57.7	44.7	-13.0	PASS
2483.875000	-57.7	44.7	-13.0	PASS
2484.225000	-57.7	44.7	-13.0	PASS
2486.975000	-57.7	44.7	-13.0	PASS

Setting	Instrument Value	Setting	Instrument Value
Start Frequency	2.40000 GHz	Start Frequency	2.48350 GHz
Stop Frequency	2.48350 GHz	Stop Frequency	2.50000 GHz
Span	83.500 MHz	Span	16.500 MHz
RBW	100.000 kHz	RBW	100.000 kHz
VBW	300.000 kHz	VBW	300.000 kHz
SweepPoints	1670	SweepPoints	330
SweepTime	1.670 ms	SweepTime	1.010 ms
Reference Level	0.000 dBm	Reference Level	0.000 dBm
Attenuation	10.000 dB	Attenuation	10.000 dB
Detector	MaxPeak	Detector	MaxPeak
SweepCount	100	SweepCount	100
Filter	3 dB	Filter	3 dB
Trace Mode	Max Hold	Trace Mode	Max Hold
SweepType	Sweep	SweepType	Sweep
Preamp	off	Preamp	off
Stablemode	Trace	Stablemode	Trace
Stablevalue	0.50 dB	Stablevalue	0.50 dB
Run	17 / max. 150	Run	4 / max. 150
Stable	3 / 3	Stable	3 / 3
Max Stable Difference	0.00 dB	Max Stable Difference	0.00 dB

### 5.7.5 TEST EQUIPMENT USED

- R&S TS8997

## 5.8 BAND EDGE COMPLIANCE RADIATED

Standard **FCC Part 15 Subpart C**

**The test was performed according to:**

ANSI C63.10, chapter 6.6.5

### 5.8.1 TEST DESCRIPTION

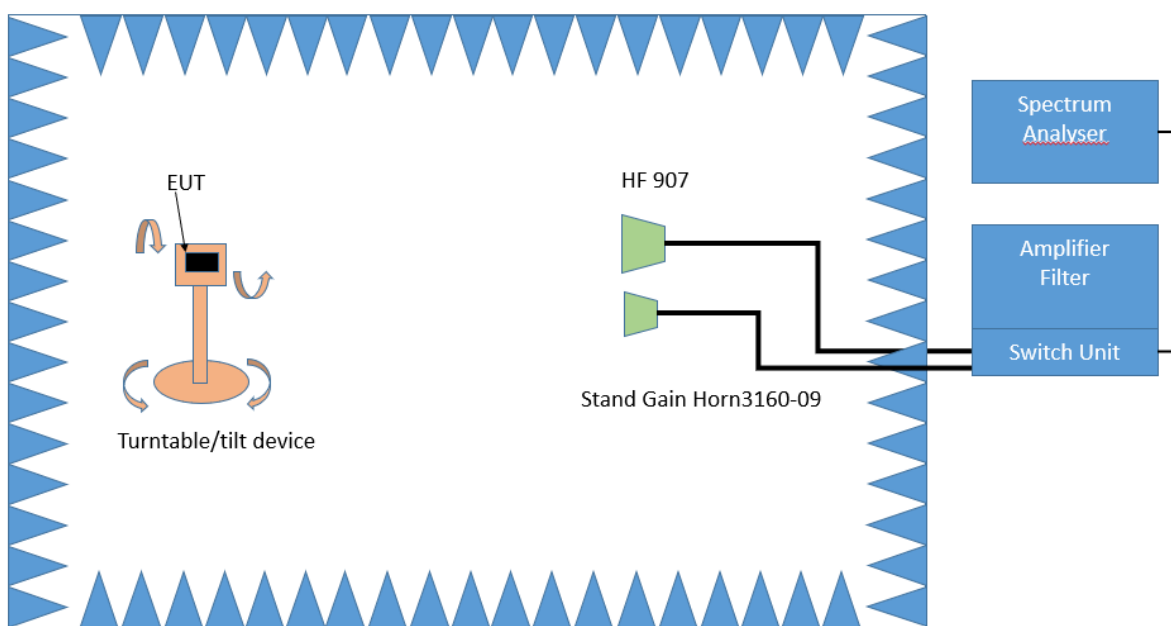
The test set-up was made in accordance to the general provisions of ANSI C63.10 in a typical installation configuration. The measurements were performed according the following sub-chapter of ANSI C63.10:

- Chapter 6.10.5

The Equipment Under Test (EUT) was set up on a non-conductive support (tilt device) at 1.5 m height in the fully-anechoic chamber.

All steps were performed with one height (1.5 m) of the receiving antenna only (procedure according ANSI C63.10, chapter 6.6.5).

### 3. Measurement above 1 GHz



Test Setup; Spurious Emission Radiated (FAC), 1 GHz-26.5 GHz

#### Step 1:

The EUT is turned during the preliminary measurement across the elevation axis, with a step size of 90 °.

The turn table step size (azimuth angle) for the preliminary measurement is 45 °.

Spectrum analyser settings:

- Detector: Peak, Average
- RBW = 1 MHz
- VBW = 3 MHz

#### Step 2:

The turn table azimuth will slowly vary by  $\pm 22.5^\circ$ .

The elevation angle will slowly vary by  $\pm 45^\circ$

Spectrum analyser settings:

- Detector: Peak

### Step 3:

Spectrum analyser settings for step 3:

- Detector: Peak / CISPR Average
- Measured frequencies: in step 1 determined frequencies
- RBW = 1 MHz
- VBW = 3 MHz
- Measuring time: 1 s

## 5.8.2 TEST REQUIREMENTS / LIMITS

For band edges connected to a restricted band, the limits are specified in Section 15.209(a)

FCC Part 15, Subpart C, §15.209, Radiated Emission Limits

Frequency in MHz	Limit ( $\mu\text{V}/\text{m}$ )	Measurement distance (m)	Limits ( $\text{dB}\mu\text{V}/\text{m}$ )
0.009 – 0.49	2400/F(kHz)@300m	3	(48.5 – 13.8)@300m
0.49 – 1.705	24000/F(kHz)@30m	3	(33.8 – 23.0)@30m
1.705 – 30	30@30m	3	29.5@30m

The measured values are corrected with an inverse linear distance extrapolation factor (40 dB/decade) according FCC 15.31 (2).

Frequency in MHz	Limit ( $\mu\text{V}/\text{m}$ )	Measurement distance (m)	Limits ( $\text{dB}\mu\text{V}/\text{m}$ )
30 – 88	100@3m	3	40.0@3m
88 – 216	150@3m	3	43.5@3m
216 – 960	200@3m	3	46.0@3m
960 – 26000	500@3m	3	54.0@3m
26000 – 40000	500@3m	1	54.0@3m

The measured values above 26 GHz are corrected with an inverse linear distance extrapolation factor (20 dB/decade).

§15.35(b) ..., there is also a limit on the radio frequency emissions, as measured using instrumentation with a peak detector function, corresponding to 20 dB above the maximum permitted average limit....

Used conversion factor:  $\text{Limit (dB}\mu\text{V}/\text{m)} = 20 \log (\text{Limit } (\mu\text{V}/\text{m})/1\mu\text{V}/\text{m})$



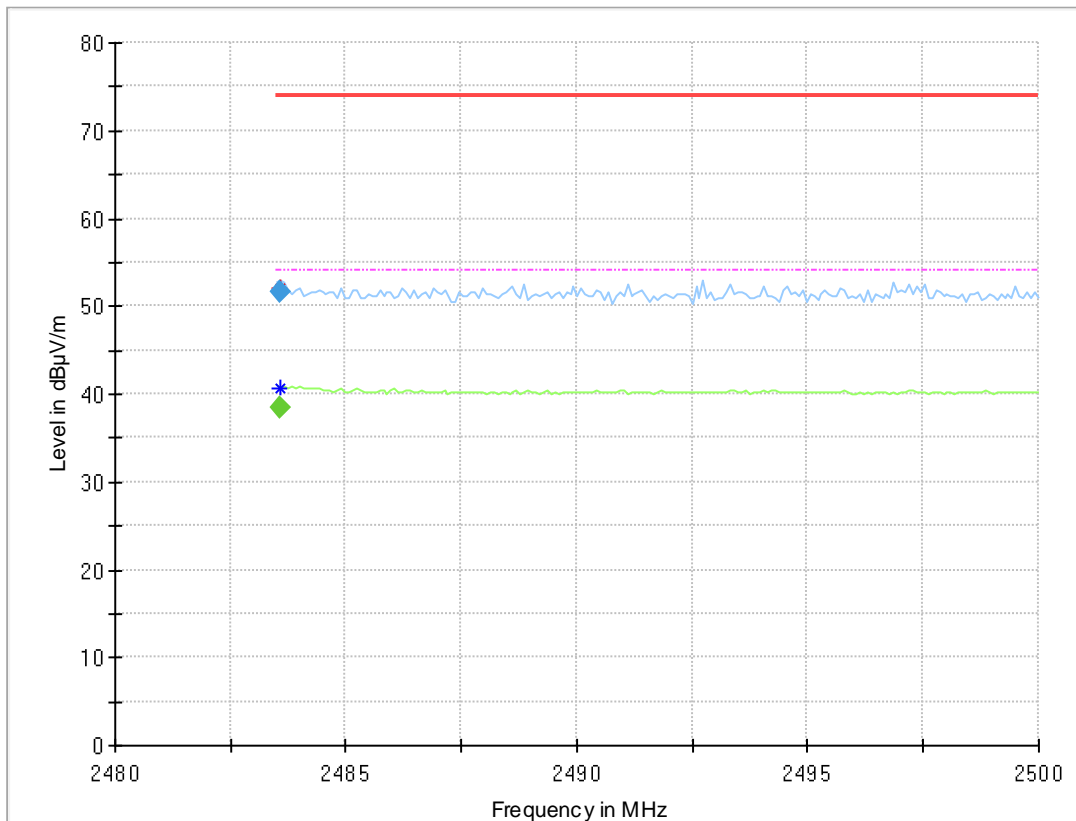
### 5.8.3 TEST PROTOCOL

Ambient temperature:		23 - 25 °C							
Air Pressure:		990 - 1024 hPa							
Humidity:		30 - 40 %							
BT LE 1 Mbit/s				Applied duty cycle correction (AV) [dB]:					
Applied duty cycle correction (AV): 0 dB									
Ch. No.	Ch. Center Freq. [MHz]	Band Edge Freq. [MHz]	Spurious Level [dBµV/m]	Detector	RBW [kHz]	Limit [dBµV/m]	Margin to Limit [dB]		
39	2480	2483.5	51.5	PEAK	1000	74.0	22.5		
39	2480	2483.5	38.3	AV	1000	54.0	15.7		
BT LE 2 Mbit/s				Applied duty cycle correction (AV) [dB]:					
Applied duty cycle correction (AV): 0 dB									
Ch. No.	Ch. Center Freq. [MHz]	Band Edge Freq. [MHz]	Spurious Level [dBµV/m]	Detector	RBW [kHz]	Limit [dBµV/m]	Margin to Limit [dB]		
39	2480	2483.5	53.3	PEAK	1000	74.0	20.7		
39	2480	2483.5	40.4	AV	1000	54.0	13.6		

Remark: Please see next sub-clause for the measurement plot.

### 5.8.4 MEASUREMENT PLOT (EXAMPLE PLOT, SHOWING WORST CASE, IF APPLICABLE)

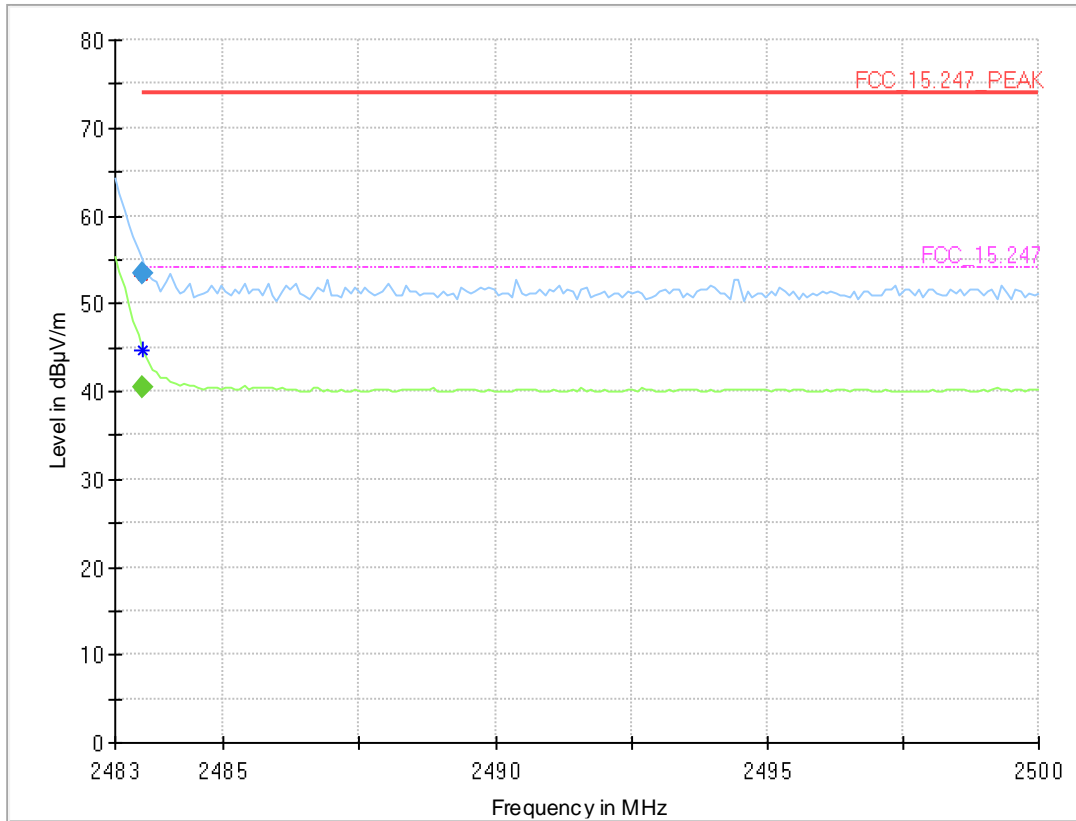
Radio Technology = Bluetooth LE 1 Mbps, Operating Frequency = high, Band Edge = high



### Final\_Result

Frequency (MHz)	MaxPeak (dBµV/m)	CAverage (dBµV/m)	Limit (dBµV/m)	Margin (dB)	Meas. Time (ms)	Bandwidth (kHz)	Height (cm)	Pol	Azimuth (deg)	Elevation (deg)	Corr. (dB/m)
2483.583	---	38.3	54.00	15.67	1000.0	1000.000	150.0	H	109.0	-2.0	7.8
2483.583	51.5	---	74.00	22.49	1000.0	1000.000	150.0	H	109.0	-2.0	7.8
4960.038	---	39.2	54.00	14.79	1000.0	1000.000	150.0	H	-86.0	6.0	5.9
4960.038	50.0	---	74.00	23.97	1000.0	1000.000	150.0	H	-86.0	6.0	5.9

Radio Technology = Bluetooth LE 2 Mbps, Operating Frequency = high, Band Edge = high



### Final Result

Frequency (MHz)	MaxPeak (dBµV/m)	CAverage (dBµV/m)	Limit (dBµV/m)	Margin (dB)	Meas. Time (ms)	Bandwidth (kHz)	Height (cm)	Pol	Azimuth (deg)	Elevation (deg)	Corr. (dB/m)
2483.510	---	40.4	54.00	13.56	1000.0	1000.000	150.0	V	109.0	102.0	7.8
2483.510	53.3	---	74.00	20.69	1000.0	1000.000	150.0	V	109.0	102.0	7.8

### 5.8.5 TEST EQUIPMENT USED

- Radiated Emissions FAR 2.4 GHz FCC

## 5.9 POWER DENSITY

Standard **FCC Part 15 Subpart C**

**The test was performed according to:**

ANSI C63.10, chapter 11.10.2

### 5.9.1 TEST DESCRIPTION

The Equipment Under Test (EUT) was set up in a shielded room to perform the Power Density measurements.

The results recorded were measured with the modulation which produces the worst-case (highest) power density.

The EUT was connected to the test system as described in the block diagram below. The complete attenuation of the measurement path is known and considered.

Maximum Peak Power Spectral Density (e.g. Bluetooth low energy):

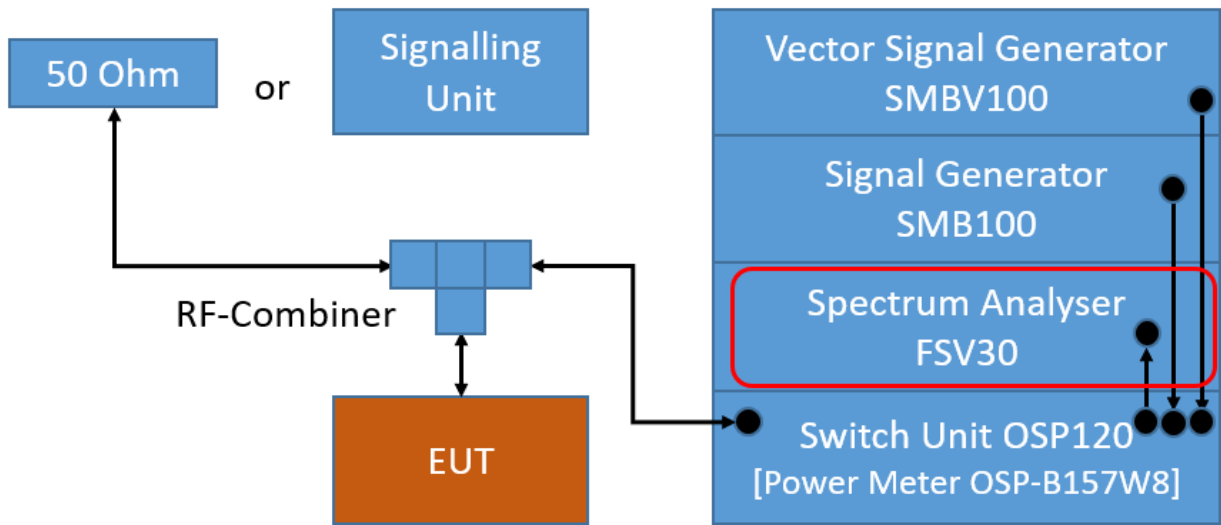
Analyser settings:

- Resolution Bandwidth (RBW): 100 kHz, 10 kHz or 3 kHz
- Video Bandwidth (VBW):  $\geq 3$  times RBW
- Trace: Maxhold
- Sweeps: Till stable (min. 200, max. 15000)
- Sweeptime: Auto
- Detector: Peak

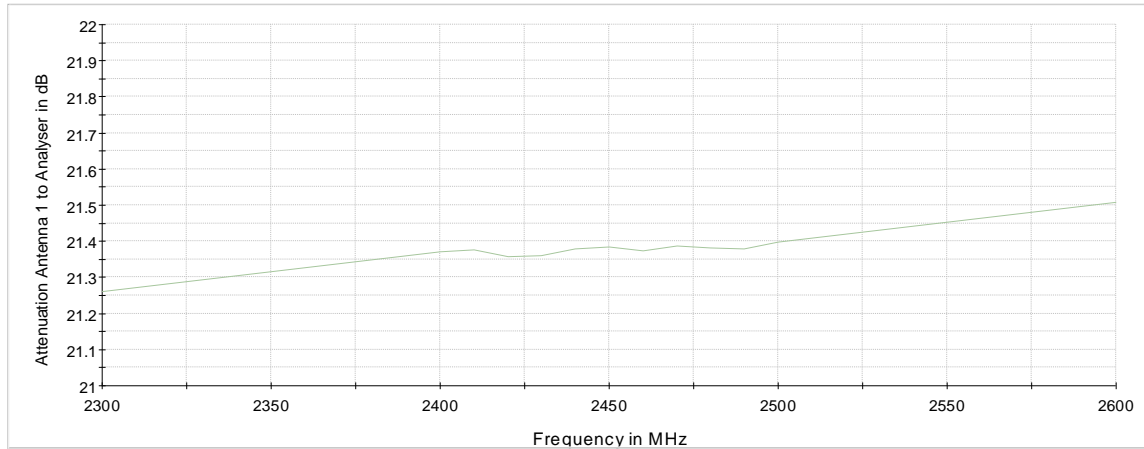
Maximum Average Power Spectral Density (e.g. WLAN):

Analyser settings:

- Resolution Bandwidth (RBW): 100 kHz, 10 kHz or 3 kHz
- Video Bandwidth (VBW):  $\geq 3$  times RBW
- Sweep Points:  $\geq 2$  times span / RBW
- Trace: Maxhold
- Sweeps: Till stable (max. 150)
- Sweeptime:  $\leq$  Number of Sweep Points x minimum transmission duration
- Detector: RMS



TS8997; Power Spectral Density



Attenuation of the measurement path

### 5.9.2 TEST REQUIREMENTS / LIMITS

FCC Part 15, Subpart C, §15.247 (e)

For digitally modulated systems, the peak power spectral density conducted from the intentional radiator to the antenna shall not be greater than 8 dBm in any 3 kHz band during any time interval of continuous transmission.

...

The same method of determining the conducted output power shall be used to determine the power spectral density.

FCC Part 15, Subpart C, §15.247 (f)

(f) For the purposes of this section, hybrid systems are those that employ a combination of both frequency hopping and digital modulation techniques.

...

The power spectral density conducted from the intentional radiator to the antenna due to the digital modulation operation of the hybrid system, with the frequency hopping operation turned off, shall not be greater than 8 dBm in any 3 kHz band during any time interval of continuous transmission

### 5.9.3 TEST PROTOCOL

<b>Ambient temperature:</b>	23 - 25°C					
<b>Air Pressure:</b>	990 - 1024 hPa					
<b>Humidity:</b>	30 - 40%					
<b>BT LE 1 Mbit/s</b>						
<b>Band</b>	<b>Channel No.</b>	<b>Frequency [MHz]</b>	<b>Power Density [dBm / RBW]</b>	<b>RBW [kHz]</b>	<b>Limit [dBm/3kHz]</b>	<b>Margin to Limit [dB]</b>
2.4 GHz ISM	0	2402	1.4	10.0	8.0	6.6
	19	2440	1.3	10.0	8.0	6.7
	39	2480	1.4	10.0	8.0	6.6
<b>BT LE 2 Mbit/s</b>						
<b>Band</b>	<b>Channel No.</b>	<b>Frequency [MHz]</b>	<b>Power Density [dBm / RBW]</b>	<b>RBW [kHz]</b>	<b>Limit [dBm/3kHz]</b>	<b>Margin to Limit [dB]</b>
2.4 GHz ISM	0	2402	-1.7	10.0	8.0	9.7
	19	2440	-1.8	10.0	8.0	9.8
	39	2480	-1.8	10.0	8.0	9.8

Remark: Please see next sub-clause for the measurement plot.

### 5.9.4 MEASUREMENT PLOT (EXAMPLE PLOT, SHOWING WORST CASE, IF APPLICABLE)

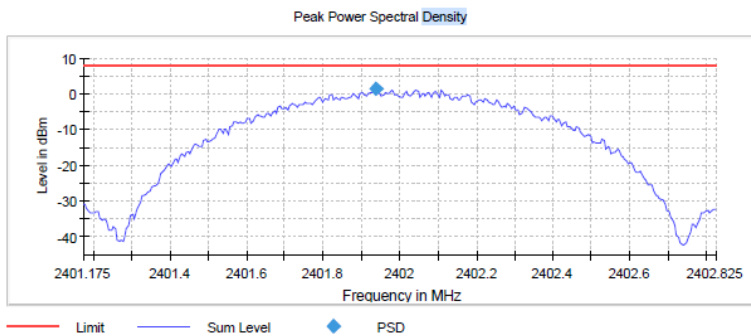
Radio Technology = Bluetooth LE 1 Mbps, Operating Frequency = low

#### Result

DUT Frequency (MHz)	Frequency (MHz)	PSD (dBm)	Limit Max (dBm)	Result
2402.000000	2401.937500	1.359	8.0	PASS

#### Ports

Port	State
1	used



Setting	Instrument Value
Start Frequency	2.40118 GHz
Stop Frequency	2.40283 GHz
Span	1.650 MHz
RBW	10.000 kHz
VBW	30.000 kHz
SweepPoints	330
Sweeptime	1.650 ms
Reference Level	0.000 dBm
Attenuation	10.000 dB
Detector	MaxPeak
SweepCount	100
Filter	3 dB
Trace Mode	Max Hold
Sweeptype	Sweep
Preamp	off
Stablemode	Trace
Stablevalue	0.50 dB
Run	10 / max. 150
Stable	2 / 2
Max Stable Difference	0.24 dB

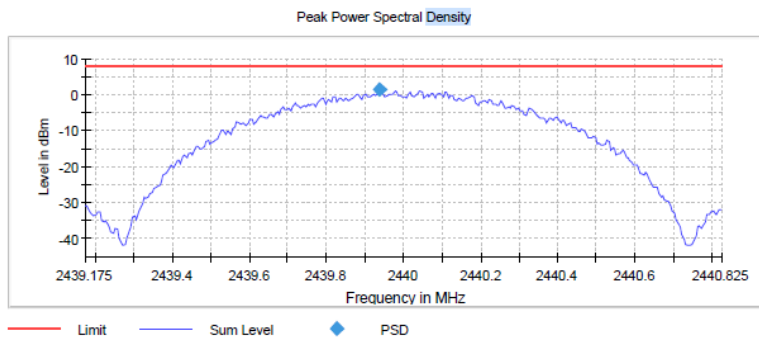
Radio Technology = Bluetooth LE 1 Mbps, Operating Frequency = mid

#### Result

DUT Frequency (MHz)	Frequency (MHz)	PSD (dBm)	Limit Max (dBm)	Result
2440.000000	2439.937500	1.287	8.0	PASS

#### Ports

Port	State
1	used



Setting	Instrument Value
Start Frequency	2.43918 GHz
Stop Frequency	2.44083 GHz
Span	1.650 MHz
RBW	10.000 kHz
VBW	30.000 kHz
SweepPoints	330
Sweeptime	1.650 ms
Reference Level	0.000 dBm
Attenuation	10.000 dB
Detector	MaxPeak
SweepCount	100
Filter	3 dB
Trace Mode	Max Hold
Sweeptype	Sweep
Preamp	off
Stablemode	Trace
Stablevalue	0.50 dB
Run	10 / max. 150
Stable	2 / 2
Max Stable Difference	0.37 dB

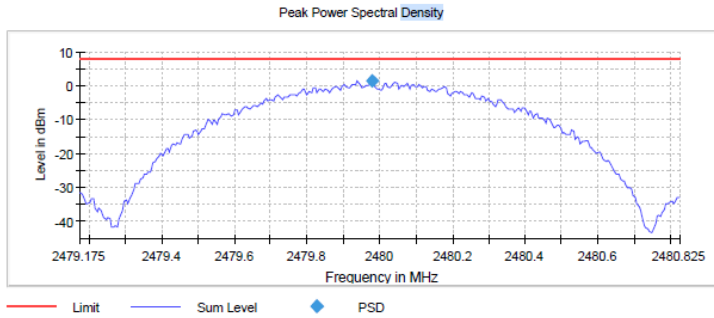
Radio Technology = Bluetooth LE 1 Mbps, Operating Frequency = high

### Result

DUT Frequency (MHz)	Frequency (MHz)	PSD (dBm)	Limit Max (dBm)	Result
2480.000000	2479.977500	1.424	8.0	PASS

### Ports

Port	State
1	used



Setting	Instrument Value
Start Frequency	2.47918 GHz
Stop Frequency	2.48083 GHz
Span	1.650 MHz
RBW	10.000 kHz
VBW	30.000 kHz
SweepPoints	330
Sweeptime	1.650 ms
Reference Level	0.000 dBm
Attenuation	10.000 dB
Detector	MaxPeak
SweepCount	100
Filter	3 dB
Trace Mode	Max Hold
Sweeptype	Sweep
Preamp	off
Stablemode	Trace
Stablevalue	0.50 dB
Run	9 / max. 150
Stable	2 / 2
Max Stable Difference	0.34 dB

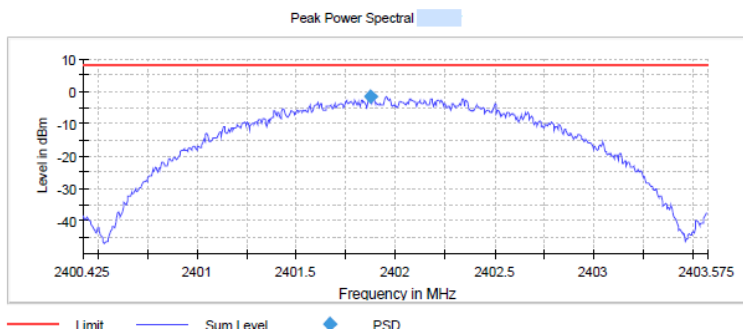
Radio Technology = Bluetooth LE 2 Mbps, Operating Frequency = low

### Result

DUT Frequency (MHz)	Frequency (MHz)	PSD (dBm)	Limit Max (dBm)	Result
2402.000000	2401.872500	-1.697	8.0	PASS

### Ports

Port	State
1	used



Setting	Instrument Value
Start Frequency	2.40043 GHz
Stop Frequency	2.40358 GHz
Span	3.150 MHz
RBW	10.000 kHz
VBW	30.000 kHz
SweepPoints	630
Sweeptime	3.150 ms
Reference Level	0.000 dBm
Attenuation	10.000 dB
Detector	MaxPeak
SweepCount	100
Filter	3 dB
Trace Mode	Max Hold
Sweeptype	Sweep
Preamp	off
Stablemode	Trace
Stablevalue	0.50 dB
Run	8 / max. 150
Stable	2 / 2
Max Stable Difference	0.35 dB

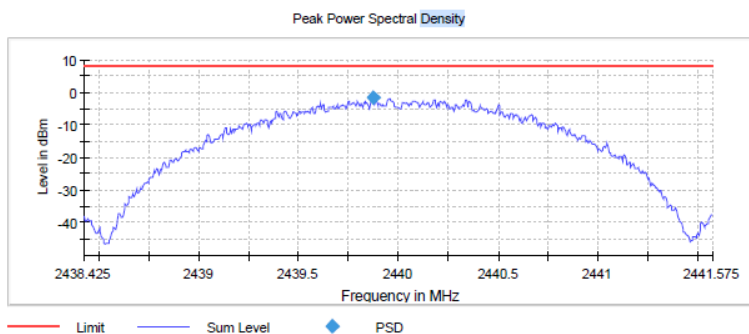
Radio Technology = Bluetooth LE 2 Mbps, Operating Frequency = mid

### Result

DUT Frequency (MHz)	Frequency (MHz)	PSD (dBm)	Limit Max (dBm)	Result
2440.000000	2439.872500	-1.775	8.0	PASS

### Ports

Port	State
1	used



Setting	Instrument Value
Start Frequency	2.43843 GHz
Stop Frequency	2.44158 GHz
Span	3.150 MHz
RBW	10.000 kHz
VBW	30.000 kHz
SweepPoints	630
Sweeptime	3.150 ms
Reference Level	0.000 dBm
Attenuation	10.000 dB
Detector	MaxPeak
SweepCount	100
Filter	3 dB
Trace Mode	Max Hold
Sweeptype	Sweep
Preamp	off
Stablemode	Trace
Stablevalue	0.50 dB
Run	9 / max. 150
Stable	2 / 2
Max Stable Difference	0.42 dB

Radio Technology = Bluetooth LE 2 Mbps, Operating Frequency = high

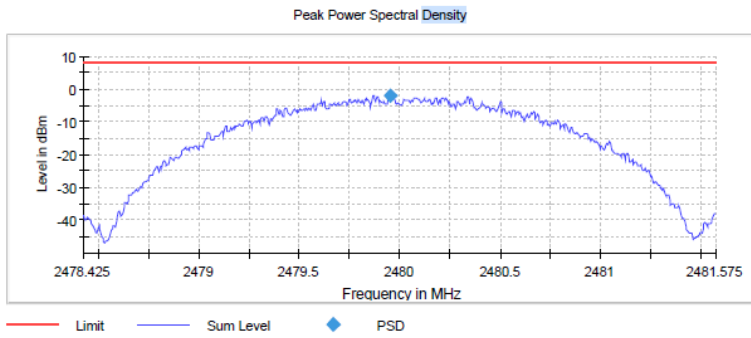


### Result

DUT Frequency (MHz)	Frequency (MHz)	PSD (dBm)	Limit Max (dBm)	Result
2480.000000	2479.952500	-1.828	8.0	PASS

### Ports

Port	State
1	used



Setting	Instrument Value
Start Frequency	2.47843 GHz
Stop Frequency	2.48158 GHz
Span	3.150 MHz
RBW	10.000 kHz
VBW	30.000 kHz
SweepPoints	630
SweepTime	3.150 ms
Reference Level	0.000 dBm
Attenuation	10.000 dB
Detector	MaxPeak
SweepCount	100
Filter	3 dB
Trace Mode	Max Hold
SweepType	Sweep
Preamp	off
Stablemode	Trace
Stablevalue	0.50 dB
Run	11 / max. 150
Stable	2 / 2
Max Stable Difference	0.31 dB

## 5.9.5 TEST EQUIPMENT USED

- R&S TS8997

## 6 TEST EQUIPMENT

### 6.1 TEST EQUIPMENT HARDWARE

- 1 Conducted Emissions FCC  
 Conducted Emissions AC Mains for FCC standards

Ref.No.	Device Name	Description	Manufacturer	Serial Number	Last Calibration	Calibration Due
1.1	Opus10 TPR (8253.00)	T/P Logger 13	Lufft Mess- und Regeltechnik GmbH	13936	2021-10 2023-12	2023-12 2025-12
1.2	Fluke 177	Digital Multimeter 03 (Multimeter)	Fluke Europe B.V.	86670383	2023-08	2025-08
1.3	ESH3-Z5	Two-Line V-Network (AUX)	Rohde & Schwarz GmbH & Co. KG	828304/029	2023-09	2025-09
1.4	EP 1200/B, NA/B1	AC Source, Amplifier with integrated variable Oscillator	Spitzenberger & Spies GmbH & Co. KG	B6278	N/A	N/A
1.5	Chroma 6404	AC Source	Chroma ATE INC.	64040001304	N/A	N/A
1.6	CMW500	Callbox OIL-RE, SUA	Rohde & Schwarz GmbH & Co. KG	163529-bw	2023-01	2026-01
1.7	ESH3-Z5	Two-Line V-Network (EUT)	Rohde & Schwarz GmbH & Co. KG	829996/002	2023-09	2025-09
1.8	ESR 7	EMI Receiver / Spectrum Analyzer	Rohde & Schwarz	101424	2023-01	2025-01
1.9	Opus10 THI (8152.00)	T/H Logger 02	Lufft Mess- und Regeltechnik GmbH	7489	2023-12	2025-12
1.10	CS-RUB6	Rubidium Frequency Standard	Rohde & Schwarz GmbH & Co. KG	100321	2023-10	2024-10

2 R&S TS8997  
2.4 and 5 GHz Bands Conducted Test Lab

Ref.No.	Device Name	Description	Manufacturer	Serial Number	Last Calibration	Calibration Due
2.1	Opus10 TPR (8253.00)	T/P Logger 13	Lufft Mess- und Regeltechnik GmbH	13936	2021-10 2023-12	2023-12 2025-12
2.2	SMB100A	Signal Generator 9 kHz - 6 GHz	Rohde & Schwarz	107695	2021-06	2024-06
2.3	EX520	Digital Multimeter 12	Extech Instruments Corp	05157876	2022-06	2024-06
2.4	FSV30	Signal Analyzer 10 Hz - 30 GHz	Rohde & Schwarz	103005	2023-08	2025-08
2.5	NGSM 32/10	Power Supply	Rohde & Schwarz GmbH & Co. KG	3456	2022-01	2024-01
2.6	Temperature Chamber VT 4002	Temperature Chamber Vötsch 03	Vötsch	58566002150010	2022-05	2024-05
2.7	FSW43	Signal Analyser	Rohde & Schwarz GmbH & Co. KG	102013	2023-07	2025-07
2.8	Opus10 THI (8152.00)	T/H Logger 14	Lufft Mess- und Regeltechnik GmbH	13993	2023-12	2025-12
2.9	SMBV100A	Vector Signal Generator 9 kHz - 6 GHz	Rohde & Schwarz	259291	2023-01	2026-01
2.10	OSP120	Contains Power Meter and Switching Unit OSP-B157W8 PLUS	Rohde & Schwarz	101158	2021-08	2024-08
2.11	CS-RUB6	Rubidium Frequency Standard	Rohde & Schwarz GmbH & Co. KG	100321	2023-10	2024-10

3 Radiated Emissions FAR 2.4 GHz FCC  
Radiated emission tests for 2.4 GHz ISM devices in a fully anechoic room

Ref.No.	Device Name	Description	Manufacturer	Serial Number	Last Calibration	Calibration Due
3.1	Opus10 TPR (8253.00)	T/P Logger 13	Lufft Mess- und Regeltechnik GmbH	13936	2021-10 2023-12	2023-12 2025-12
3.2	Innco Systems CO3000	Controller for bore sight mast FAC		CO3000/1460/54 740522/P	N/A	N/A
3.3	AMF-7D00101800-30-10P-R	Broadband Amplifier 100 MHz - 18 GHz	Miteq		N/A*)	N/A*)
3.4	Anechoic Chamber 03	FAR, 8.80m x 4.60m x 4.05m (l x w x h)	Albatross Projects	P26971-647-001-PRB	N/A	N/A
3.5	Fluke 177	Digital Multimeter 03 (Multimeter)	Fluke Europe B.V.	86670383	2023-08	2025-08

Ref.No.	Device Name	Description	Manufacturer	Serial Number	Last Calibration	Calibration Due
3.6	JS4-18002600-32-5P	Broadband Amplifier 18 GHz - 26 GHz	Miteq	849785	N/A*)	N/A*)
3.7	FSW43	Spectrum Analyzer	Rohde & Schwarz GmbH & Co. KG	103779	2023-04	2025-04
3.8	EP 1200/B, NA/B1	AC Source, Amplifier with integrated variable Oscillator	Spitzenberger & Spies GmbH & Co. KG	B6278	N/A	N/A
3.9	3160-09	Standard Gain / Pyramidal Horn Antenna 26.5 GHz	EMCO Elektronik GmbH	00083069	N/A*)	N/A*)
3.10	WHKX 7.0/18G-8SS	High Pass Filter	Wainwright Instruments GmbH	09	N/A*)	N/A*)
3.11	MA3000/0800-XP-ET-compact	Bore Sight Antenna Mast			N/A	N/A
3.12	TT 1.5 WI	Turn Table	Maturo GmbH	-	N/A	N/A
3.13	5HC3500/18000-1.2-KK	High Pass Filter	Trilithic	200035008	N/A*)	N/A*)
3.14	Opus 20 THI (8120.00)	ThermoHygro Datalogger	Lufft Mess- und Regeltechnik GmbH	115.0318.0802.033	2023-08	2025-08
3.15	TD1.5-10kg	EUT Tilt Device (Rohacell)	Maturo GmbH	TD1.5-10kg/024/3790709	N/A	N/A
3.16	AFS42-00101800-25-S-42	Broadband Amplifier 25 MHz - 18 GHz	Miteq	2035324	N/A*)	N/A*)
3.17	HF 907	Double-ridged horn	Rohde & Schwarz	102444	2021-09	2024-09

#### 4 Radiated Emissions SAC H-Field Radiated emission tests in the H-Field in a semi anechoic room

Ref.No.	Device Name	Description	Manufacturer	Serial Number	Last Calibration	Calibration Due
4.1	N5000/NP	Filter for EUT, 2 Lines, 250 V, 16 A	ETS-LINDGREN	241515	N/A	N/A
4.2	Opus10 TPR (8253.00)	T/P Logger 13	Lufft Mess- und Regeltechnik GmbH	13936	2023-12	2025-12
4.3	ESW44	EMI Receiver / Spectrum Analyzer	Rohde & Schwarz GmbH & Co. KG	101603	2022-01	2024-01
4.4	Anechoic Chamber 01	SAC/FAR, 10.58 m x 6.38 m x 6.00 m	undefined, undefined	none	N/A	N/A
4.5	Fluke 177	Digital Multimeter 03 (Multimeter)	Fluke Europe B.V.	86670383	2023-08	2025-08
4.6	Opus10 THI (8152.00)	T/H Logger 10	Lufft Mess- und Regeltechnik GmbH	12488	2023-12	2025-12

Ref.No.	Device Name	Description	Manufacturer	Serial Number	Last Calibration	Calibration Due
4.7	EP 1200/B, NA/B1	AC Source, Amplifier with integrated variable Oscillator	Spitzenberger & Spies GmbH & Co. KG	B6278	N/A	N/A
4.8	DS 420S	Turn Table 2 m diameter	HD GmbH	420/573/99	N/A	N/A
4.9	HFH2-Z2	Loop Antenna + 3 Axis Tripod	Rohde & Schwarz GmbH & Co. KG	829324/006	2021-01	2024-01
4.10	CS-RUB6	Rubidium Frequency Standard	Rohde & Schwarz GmbH & Co. KG	100321	2023-10	2024-10

5 Radiated Emissions SAC up to 1 GHz  
 Radiated emission tests up to 1 GHz in a semi anechoic room

Ref.No.	Device Name	Description	Manufacturer	Serial Number	Last Calibration	Calibration Due
5.1	N5000/NP	Filter for EUT, 2 Lines, 250 V, 16 A	ETS-LINDGREN	241515	N/A	N/A
5.2	Opus10 TPR (8253.00)	T/P Logger 13	Lufft Mess- und Regeltechnik GmbH	13936	2023-12	2025-12
5.3	ESW44	EMI Receiver / Spectrum Analyzer	Rohde & Schwarz GmbH & Co. KG	101603	2022-01	2024-01
5.4	Anechoic Chamber 01	SAC/FAR, 10.58 m x 6.38 m x 6.00 m	undefined, undefined	none	N/A	N/A
5.5	HL 562 ULTRALOG	Biconical-log-per antenna (30 MHz - 3 GHz) with HL 562E biconicals	Rohde & Schwarz GmbH & Co. KG	830547/003	2021-09	2024-09
5.6	Fluke 177	Digital Multimeter 03 (Multimeter)	Fluke Europe B.V.	86670383	2023-08	2025-08
5.7	Opus10 THI (8152.00)	T/H Logger 10	Lufft Mess- und Regeltechnik GmbH	12488	2023-12	2025-12
5.8	EP 1200/B, NA/B1	AC Source, Amplifier with integrated variable Oscillator	Spitzenberger & Spies GmbH & Co. KG	B6278	N/A	N/A
5.9	DS 420S	Turn Table 2 m diameter	HD GmbH	420/573/99	N/A	N/A
5.10	CS-RUB6	Rubidium Frequency Standard	Rohde & Schwarz GmbH & Co. KG	100321	2023-10	2024-10
5.11	AM 4.0	Antenna Mast 4 m	Maturo GmbH	AM4.0/180/1192 0513	N/A	N/A

N/A\*): internally validated before use.

The calibration interval is the time interval between "Last Calibration" and "Calibration Due".

## 6.2 TEST EQUIPMENT SOFTWARE

<b>Semi-Anechoic Chamber:</b>	
Software	Version
EMC32 Measurement Software	10.60.10
INNCO Mast Controller	1.02.62
MATURO Mast Controller	12.19
MATURO Turn-Table Controller	30.10
<b>Fully Anechoic Chamber:</b>	
Software	Version
EMC32 Measurement Software	10.60.10
MATURO Turn-Unit Controller	11.10
MATURO Mast Controller	12.10
MATURO Turntable Controller	12.11
INNCO Mast Controller	1.02.62
<b>TS 8997</b>	
WMC32 Measurement Software	11.40.00
<b>Conducted AC Emissions:</b>	
Software	Version
EMC32 Measurement Software	10.60.20

## 7 ANTENNA FACTORS, CABLE LOSS AND SAMPLE CALCULATIONS

This chapter contains the antenna factors with their corresponding path loss of the used measurement path for all antennas as well as the insertion loss of the LISN.

### 7.1 LISN R&S ESH3-Z5 (150 KHZ – 30 MHZ)

Frequency MHz	Corr. dB	LISN insertion loss ESH3- Z5 dB	cable loss (incl. 10 dB atten- uator) dB
0.15	10.1	0.1	10.0
5	10.3	0.1	10.2
7	10.5	0.2	10.3
10	10.5	0.2	10.3
12	10.7	0.3	10.4
14	10.7	0.3	10.4
16	10.8	0.4	10.4
18	10.9	0.4	10.5
20	10.9	0.4	10.5
22	11.1	0.5	10.6
24	11.1	0.5	10.6
26	11.2	0.5	10.7
28	11.2	0.5	10.7
30	11.3	0.5	10.8

#### Sample calculation

$$U_{\text{LISN}} \text{ (dB } \mu\text{V)} = U \text{ (dB } \mu\text{V)} + \text{Corr. (dB)}$$

U = Receiver reading

LISN Insertion loss = Voltage Division Factor of LISN

Corr. = sum of single correction factors of used LISN, cables, switch units (if used)

Linear interpolation will be used for frequencies in between the values in the table.

## 7.2 ANTENNA R&S HFH2-Z2 (9 KHZ – 30 MHZ)

Frequency MHz	AF HFH-Z2) dB (1/m)	Corr. dB	cable loss 1 (inside chamber) dB	cable loss 2 (outside chamber) dB	cable loss 3 (switch unit) dB	cable loss 4 (to receiver) dB	distance corr. (-40 dB/ decade) dB	d <sub>Limit</sub> (meas. distance (limit) m	d <sub>used</sub> (meas. distance (used) m
0.009	20.50	-79.6	0.1	0.1	0.1	0.1	-80	300	3
0.01	20.45	-79.6	0.1	0.1	0.1	0.1	-80	300	3
0.015	20.37	-79.6	0.1	0.1	0.1	0.1	-80	300	3
0.02	20.36	-79.6	0.1	0.1	0.1	0.1	-80	300	3
0.025	20.38	-79.6	0.1	0.1	0.1	0.1	-80	300	3
0.03	20.32	-79.6	0.1	0.1	0.1	0.1	-80	300	3
0.05	20.35	-79.6	0.1	0.1	0.1	0.1	-80	300	3
0.08	20.30	-79.6	0.1	0.1	0.1	0.1	-80	300	3
0.1	20.20	-79.6	0.1	0.1	0.1	0.1	-80	300	3
0.2	20.17	-79.6	0.1	0.1	0.1	0.1	-80	300	3
0.3	20.14	-79.6	0.1	0.1	0.1	0.1	-80	300	3
0.49	20.12	-79.6	0.1	0.1	0.1	0.1	-80	300	3
0.490001	20.12	-39.6	0.1	0.1	0.1	0.1	-40	30	3
0.5	20.11	-39.6	0.1	0.1	0.1	0.1	-40	30	3
0.8	20.10	-39.6	0.1	0.1	0.1	0.1	-40	30	3
1	20.09	-39.6	0.1	0.1	0.1	0.1	-40	30	3
2	20.08	-39.6	0.1	0.1	0.1	0.1	-40	30	3
3	20.06	-39.6	0.1	0.1	0.1	0.1	-40	30	3
4	20.05	-39.5	0.2	0.1	0.1	0.1	-40	30	3
5	20.05	-39.5	0.2	0.1	0.1	0.1	-40	30	3
6	20.02	-39.5	0.2	0.1	0.1	0.1	-40	30	3
8	19.95	-39.5	0.2	0.1	0.1	0.1	-40	30	3
10	19.83	-39.4	0.2	0.1	0.2	0.1	-40	30	3
12	19.71	-39.4	0.2	0.1	0.2	0.1	-40	30	3
14	19.54	-39.4	0.2	0.1	0.2	0.1	-40	30	3
16	19.53	-39.3	0.3	0.1	0.2	0.1	-40	30	3
18	19.50	-39.3	0.3	0.1	0.2	0.1	-40	30	3
20	19.57	-39.3	0.3	0.1	0.2	0.1	-40	30	3
22	19.61	-39.3	0.3	0.1	0.2	0.1	-40	30	3
24	19.61	-39.3	0.3	0.1	0.2	0.1	-40	30	3
26	19.54	-39.3	0.3	0.1	0.2	0.1	-40	30	3
28	19.46	-39.2	0.3	0.1	0.3	0.1	-40	30	3
30	19.73	-39.1	0.4	0.1	0.3	0.1	-40	30	3

### Sample calculation

$$E \text{ (dB } \mu\text{V/m)} = U \text{ (dB } \mu\text{V)} + AF \text{ (dB 1/m)} + Corr. \text{ (dB)}$$

U = Receiver reading

AF = Antenna factor

Corr. = sum of single correction factors of used cables, switch unit, distance correction, amplifier (if applicable)

distance correction =  $-40 * \text{LOG} (d_{\text{Limit}} / d_{\text{used}})$

Linear interpolation will be used for frequencies in between the values in the table.

Table shows an extract of values



### 7.3 ANTENNA R&S HL562 (30 MHZ – 1 GHZ)

( $d_{Limit} = 3\text{ m}$ )

Frequency MHz	AF R&S HL562 dB (1/m)	Corr. dB
30	18.6	0.6
50	6.0	0.9
100	9.7	1.2
150	7.9	1.6
200	7.6	1.9
250	9.5	2.1
300	11.0	2.3
350	12.4	2.6
400	13.6	2.9
450	14.7	3.1
500	15.6	3.2
550	16.3	3.5
600	17.2	3.5
650	18.1	3.6
700	18.5	3.6
750	19.1	4.1
800	19.6	4.1
850	20.1	4.4
900	20.8	4.7
950	21.1	4.8
1000	21.6	4.9

cable loss 1 (inside chamber) dB	cable loss 2 (outside chamber) dB	cable loss 3 (switch unit) dB	cable loss 4 (to receiver) dB	distance corr. (-20 dB/ decade) dB	$d_{Limit}$ (meas. distance (limit) m	$d_{used}$ (meas. distance (used) m
0.29	0.04	0.23	0.02	0.0	3	3
0.39	0.09	0.32	0.08	0.0	3	3
0.56	0.14	0.47	0.08	0.0	3	3
0.73	0.20	0.59	0.12	0.0	3	3
0.84	0.21	0.70	0.11	0.0	3	3
0.98	0.24	0.80	0.13	0.0	3	3
1.04	0.26	0.89	0.15	0.0	3	3
1.18	0.31	0.96	0.13	0.0	3	3
1.28	0.35	1.03	0.19	0.0	3	3
1.39	0.38	1.11	0.22	0.0	3	3
1.44	0.39	1.20	0.19	0.0	3	3
1.55	0.46	1.24	0.23	0.0	3	3
1.59	0.43	1.29	0.23	0.0	3	3
1.67	0.34	1.35	0.22	0.0	3	3
1.67	0.42	1.41	0.15	0.0	3	3
1.87	0.54	1.46	0.25	0.0	3	3
1.90	0.46	1.51	0.25	0.0	3	3
1.99	0.60	1.56	0.27	0.0	3	3
2.14	0.60	1.63	0.29	0.0	3	3
2.22	0.60	1.66	0.33	0.0	3	3
2.23	0.61	1.71	0.30	0.0	3	3

( $d_{Limit} = 10\text{ m}$ )

Frequency MHz	AF R&S HL562 dB (1/m)	Corr. dB
30	18.6	-9.9
50	6.0	-9.6
100	9.7	-9.2
150	7.9	-8.8
200	7.6	-8.6
250	9.5	-8.3
300	11.0	-8.1
350	12.4	-7.9
400	13.6	-7.6
450	14.7	-7.4
500	15.6	-7.2
550	16.3	-7.0
600	17.2	-6.9
650	18.1	-6.9
700	18.5	-6.8
750	19.1	-6.3
800	19.6	-6.3
850	20.1	-6.0
900	20.8	-5.8
950	21.1	-5.6
1000	21.6	-5.6

cable loss 1 (inside chamber) dB	cable loss 2 (outside chamber) dB	cable loss 3 (switch unit) dB	cable loss 4 (to receiver) dB	distance corr. (-20 dB/ decade) dB	$d_{Limit}$ (meas. distance (limit) m	$d_{used}$ (meas. distance (used) m
0.29	0.04	0.23	0.02	-10.5	10	3
0.39	0.09	0.32	0.08	-10.5	10	3
0.56	0.14	0.47	0.08	-10.5	10	3
0.73	0.20	0.59	0.12	-10.5	10	3
0.84	0.21	0.70	0.11	-10.5	10	3
0.98	0.24	0.80	0.13	-10.5	10	3
1.04	0.26	0.89	0.15	-10.5	10	3
1.18	0.31	0.96	0.13	-10.5	10	3
1.28	0.35	1.03	0.19	-10.5	10	3
1.39	0.38	1.11	0.22	-10.5	10	3
1.44	0.39	1.20	0.19	-10.5	10	3
1.55	0.46	1.24	0.23	-10.5	10	3
1.59	0.43	1.29	0.23	-10.5	10	3
1.67	0.34	1.35	0.22	-10.5	10	3
1.67	0.42	1.41	0.15	-10.5	10	3
1.87	0.54	1.46	0.25	-10.5	10	3
1.90	0.46	1.51	0.25	-10.5	10	3
1.99	0.60	1.56	0.27	-10.5	10	3
2.14	0.60	1.63	0.29	-10.5	10	3
2.22	0.60	1.66	0.33	-10.5	10	3
2.23	0.61	1.71	0.30	-10.5	10	3

#### Sample calculation

$$E \text{ (dB } \mu\text{V/m)} = U \text{ (dB } \mu\text{V)} + \text{AF (dB 1/m)} + \text{Corr. (dB)}$$

U = Receiver reading

AF = Antenna factor

Corr. = sum of single correction factors of used cables, switch unit, distance correction, amplifier (if applicable)

distance correction =  $-20 * \text{LOG} (d_{Limit} / d_{used})$

Linear interpolation will be used for frequencies in between the values in the table.

Tables show an extract of values.

## 7.4 ANTENNA R&S HF907 (1 GHZ – 18 GHZ)

Frequency MHz	AF R&S HF907 dB (1/m)	Corr. dB
1000	24.4	-19.4
2000	28.5	-17.4
3000	31.0	-16.1
4000	33.1	-14.7
5000	34.4	-13.7
6000	34.7	-12.7
7000	35.6	-11.0

cable loss 1 (relay + cable inside chamber) dB	cable loss 2 (outside chamber) dB	cable loss 3 (switch unit, atten- uator & pre-amp) dB	cable loss 4 (to receiver) dB
0.99	0.31	-21.51	0.79
1.44	0.44	-20.63	1.38
1.87	0.53	-19.85	1.33
2.41	0.67	-19.13	1.31
2.78	0.86	-18.71	1.40
2.74	0.90	-17.83	1.47
2.82	0.86	-16.19	1.46

Frequency MHz	AF R&S HF907 dB (1/m)	Corr. dB
3000	31.0	-23.4
4000	33.1	-23.3
5000	34.4	-21.7
6000	34.7	-21.2
7000	35.6	-19.8

cable loss 1 (relay inside chamber) dB	cable loss 2 (inside chamber) dB	cable loss 3 (outside chamber) dB	cable loss 4 (switch unit, atten- uator & pre-amp) dB	cable loss 5 (to receiver) dB	used for FCC 15.247
0.47	1.87	0.53	-27.58	1.33	
0.56	2.41	0.67	-28.23	1.31	
0.61	2.78	0.86	-27.35	1.40	
0.58	2.74	0.90	-26.89	1.47	
0.66	2.82	0.86	-25.58	1.46	

Frequency MHz	AF R&S HF907 dB (1/m)	Corr. dB
7000	35.6	-57.3
8000	36.3	-56.3
9000	37.1	-55.3
10000	37.5	-56.2
11000	37.5	-55.3
12000	37.6	-53.7
13000	38.2	-53.5
14000	39.9	-56.3
15000	40.9	-54.1
16000	41.3	-54.1
17000	42.8	-54.4
18000	44.2	-54.7

cable loss 1 (relay inside chamber) dB	cable loss 2 (High Pass) dB	cable loss 3 (pre- amp) dB	cable loss 4 (inside chamber) dB	cable loss 5 (outside chamber) dB	cable loss 6 (to receiver) dB
0.56	1.28	-62.72	2.66	0.94	1.46
0.69	0.71	-61.49	2.84	1.00	1.53
0.68	0.65	-60.80	3.06	1.09	1.60
0.70	0.54	-61.91	3.28	1.20	1.67
0.80	0.61	-61.40	3.43	1.27	1.70
0.84	0.42	-59.70	3.53	1.26	1.73
0.83	0.44	-59.81	3.75	1.32	1.83
0.91	0.53	-63.03	3.91	1.40	1.77
0.98	0.54	-61.05	4.02	1.44	1.83
1.23	0.49	-61.51	4.17	1.51	1.85
1.36	0.76	-62.36	4.34	1.53	2.00
1.70	0.53	-62.88	4.41	1.55	1.91

### Sample calculation

$$E \text{ (dB } \mu\text{V/m)} = U \text{ (dB } \mu\text{V)} + \text{AF (dB 1/m)} + \text{Corr. (dB)}$$

U = Receiver reading

AF = Antenna factor

Corr. = sum of single correction factors of used cables, switch unit, distance correction, amplifier (if applicable)

Linear interpolation will be used for frequencies in between the values in the table.

Tables show an extract of values.

## 7.5 ANTENNA EMCO 3160-09 (18 GHZ – 26.5 GHZ)

Frequency MHz	AF EMCO 3160-09 dB (1/m)	Corr. dB	cable loss 1 (inside chamber) dB	cable loss 2 (pre- amp) dB	cable loss 3 (inside chamber) dB	cable loss 4 (switch unit) dB	cable loss 5 (to receiver) dB
18000	40.2	-23.5	0.72	-35.85	6.20	2.81	2.65
18500	40.2	-23.2	0.69	-35.71	6.46	2.76	2.59
19000	40.2	-22.0	0.76	-35.44	6.69	3.15	2.79
19500	40.3	-21.3	0.74	-35.07	7.04	3.11	2.91
20000	40.3	-20.3	0.72	-34.49	7.30	3.07	3.05
20500	40.3	-19.9	0.78	-34.46	7.48	3.12	3.15
21000	40.3	-19.1	0.87	-34.07	7.61	3.20	3.33
21500	40.3	-19.1	0.90	-33.96	7.47	3.28	3.19
22000	40.3	-18.7	0.89	-33.57	7.34	3.35	3.28
22500	40.4	-19.0	0.87	-33.66	7.06	3.75	2.94
23000	40.4	-19.5	0.88	-33.75	6.92	3.77	2.70
23500	40.4	-19.3	0.90	-33.35	6.99	3.52	2.66
24000	40.4	-19.8	0.88	-33.99	6.88	3.88	2.58
24500	40.4	-19.5	0.91	-33.89	7.01	3.93	2.51
25000	40.4	-19.3	0.88	-33.00	6.72	3.96	2.14
25500	40.5	-20.4	0.89	-34.07	6.90	3.66	2.22
26000	40.5	-21.3	0.86	-35.11	7.02	3.69	2.28
26500	40.5	-21.1	0.90	-35.20	7.15	3.91	2.36

### Sample calculation

$$E \text{ (dB } \mu\text{V/m)} = U \text{ (dB } \mu\text{V)} + \text{AF (dB 1/m)} + \text{Corr. (dB)}$$

U = Receiver reading

AF = Antenna factor

Corr. = sum of single correction factors of used cables, switch unit, distance correction, amplifier (if applicable)

Linear interpolation will be used for frequencies in between the values in the table.

Table shows an extract of values.

## 7.6 ANTENNA EMCO 3160-10 (26.5 GHZ – 40 GHZ)

Frequency GHz	AF EMCO 3160-10 dB (1/m)	Corr. dB	cable loss 1 (inside chamber) dB	cable loss 2 (outside chamber) dB	cable loss 3 (switch unit) dB	cable loss 4 (to receiver) dB	distance corr. (-20 dB/ decade) dB	d <sub>Limit</sub> (meas. distance (limit) m	d <sub>used</sub> (meas. distance (used) m
26.5	43.4	-11.2	4.4				-9.5	3	1.0
27.0	43.4	-11.2	4.4				-9.5	3	1.0
28.0	43.4	-11.1	4.5				-9.5	3	1.0
29.0	43.5	-11.0	4.6				-9.5	3	1.0
30.0	43.5	-10.9	4.7				-9.5	3	1.0
31.0	43.5	-10.8	4.7				-9.5	3	1.0
32.0	43.5	-10.7	4.8				-9.5	3	1.0
33.0	43.6	-10.7	4.9				-9.5	3	1.0
34.0	43.6	-10.6	5.0				-9.5	3	1.0
35.0	43.6	-10.5	5.1				-9.5	3	1.0
36.0	43.6	-10.4	5.1				-9.5	3	1.0
37.0	43.7	-10.3	5.2				-9.5	3	1.0
38.0	43.7	-10.2	5.3				-9.5	3	1.0
39.0	43.7	-10.2	5.4				-9.5	3	1.0
40.0	43.8	-10.1	5.5				-9.5	3	1.0

### Sample calculation

$$E \text{ (dB } \mu\text{V/m)} = U \text{ (dB } \mu\text{V)} + \text{AF (dB 1/m)} + \text{Corr. (dB)}$$

U = Receiver reading

AF = Antenna factor

Corr. = sum of single correction factors of used cables, switch unit, distance correction, amplifier (if applicable)

Linear interpolation will be used for frequencies in between the values in the table.

$$\text{distance correction} = -20 * \text{LOG} (d_{\text{Limit}} / d_{\text{used}})$$

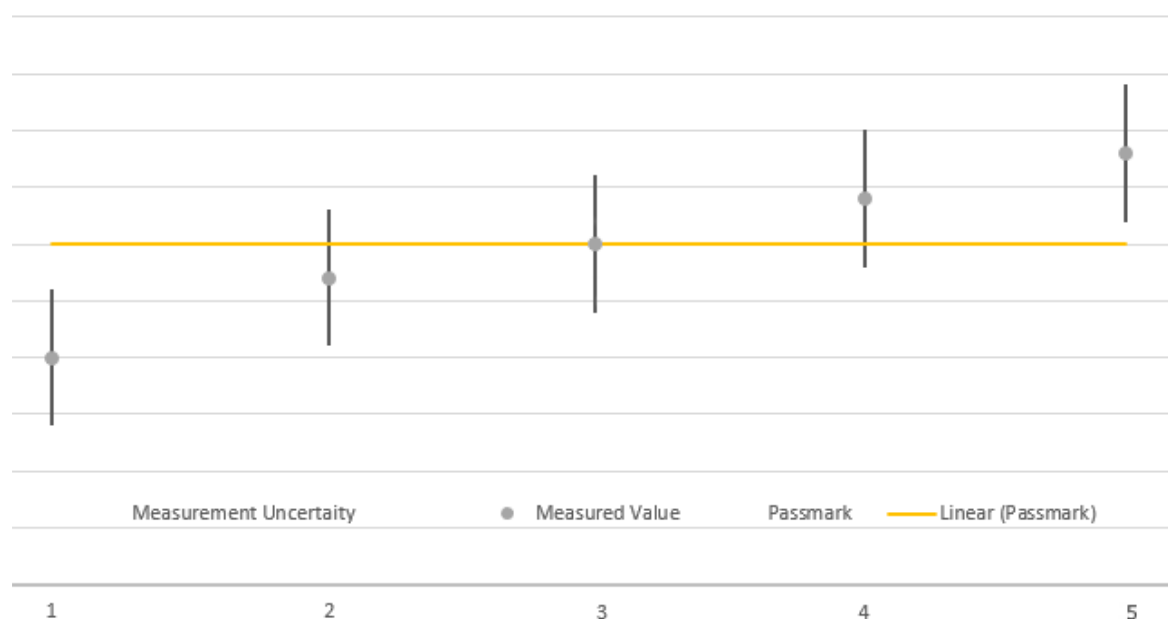
Linear interpolation will be used for frequencies in between the values in the table.

Table shows an extract of values.

## 8 MEASUREMENT UNCERTAINTIES

Test Case	Parameter	Uncertainty
AC Power Line	Power	± 3.4 dB
Field Strength of spurious radiation	Power	± 5.5 dB
6 dB / 26 dB / 99% Bandwidth	Power Frequency	± 2.9 dB ± 11.2 kHz
Conducted Output Power	Power	± 2.2 dB
Band Edge Compliance	Power Frequency	± 2.2 dB ± 11.2 kHz
Frequency Stability	Frequency	± 25 Hz
Power Spectral Density	Power	± 2.2 dB

The measurement uncertainties for all parameters are calculated with an expansion factor (coverage factor)  $k = 1.96$ . This means, that the true value is in the corresponding interval with a probability of 95 %.



The verdicts in this test report are given according the above diagram:

Case	Measured Value	Uncertainty Range	Verdict
1	below pass mark	below pass mark	Passed
2	below pass mark	within pass mark	Passed
3	on pass mark	within pass mark	Passed
4	above pass mark	within pass mark	Failed
5	above pass mark	above pass mark	Failed

That means, the laboratory applies, as decision rule (see ISO/IEC 17025:2017), the so-called shared risk principle.



## 9 PHOTO REPORT

Please see separate photo report.

\*\*\*\*\*END OF TEST REPORT\*\*\*\*\*