

RE: Certification Application

Product family: NINA-B1
 HVIN: NINA-B111 and NINA-B112
 FCC ID: XPNINAB1
 IC: 8595A-NINAB1

Company number: CH-020.3.020.161-7

info@u-blox.com
 support@u-blox.com

Block Diagram of OEM-BLE module NINA-B1

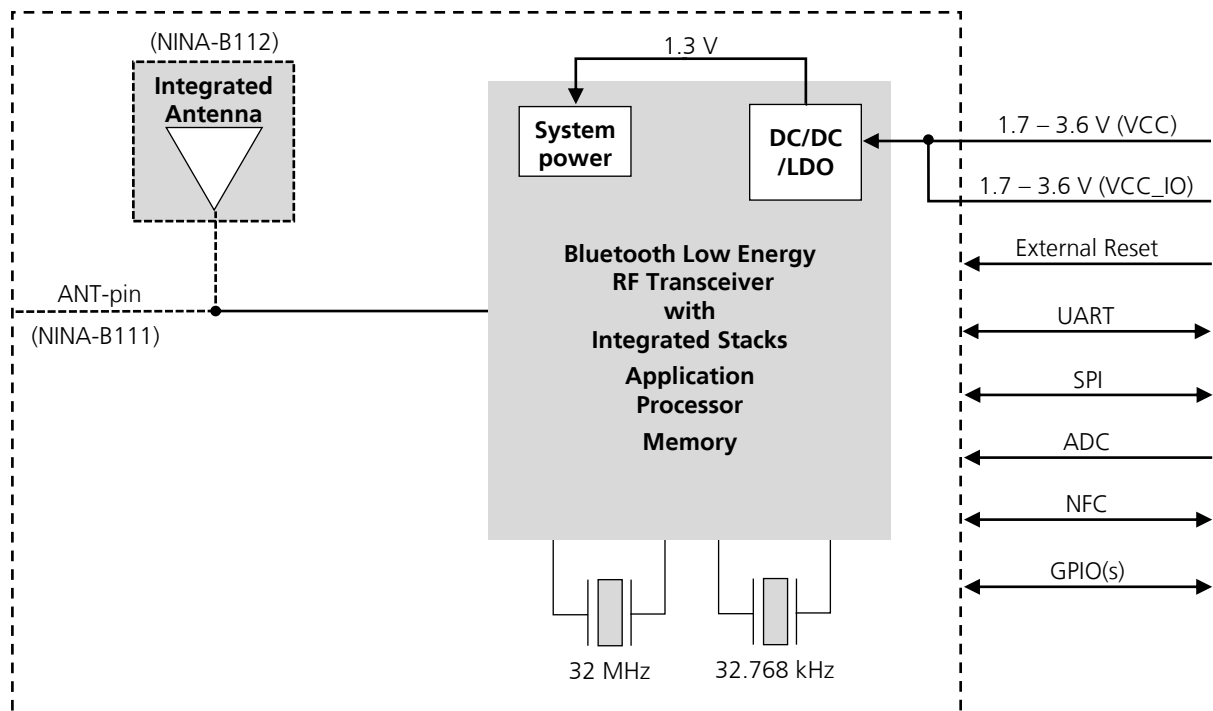


Figure-1 – NINA-B1 block diagram.