

**RE: Certification Application**

Product family: LILY-W1  
 HVIN: LILY-W131, LILY-W132 and LILY-W133  
 FCC ID: XPYLILYW1  
 IC: 8595A-LILYW1

Company number: CH-020.3.020.161-7

info@u-blox.com  
 support@u-blox.com

**Block Diagram of OEM-WLAN module LILY-W1**

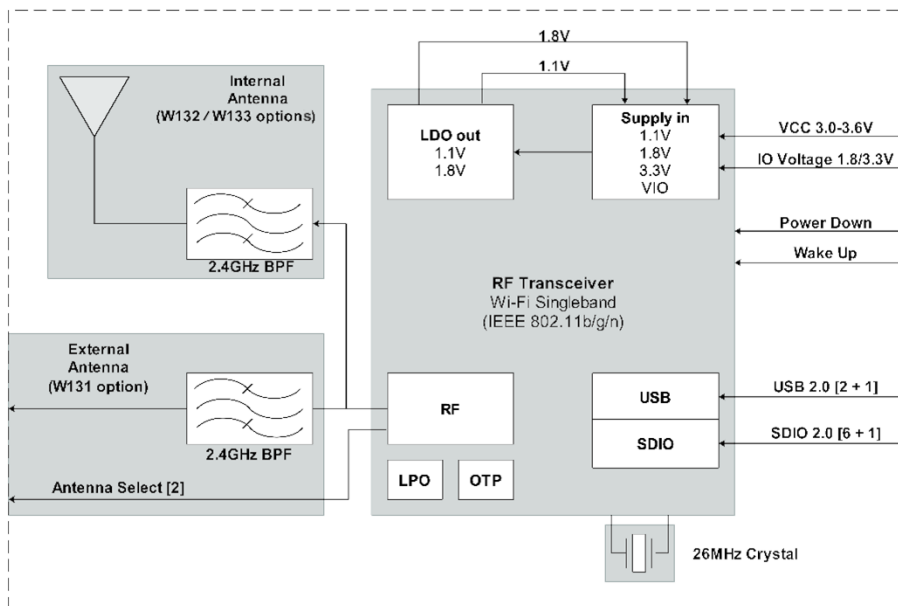


Figure-1 - LILY-W1 block diagram.