

RE: Certification Application

Product family: JODY-W3
 Models: JODY-W354, JODY-W374, JODY-W377

Company number: CH-020.3.020.161-7

info@u-blox.com
 support@u-blox.com

Block Diagram of the JODY-W3 series modules

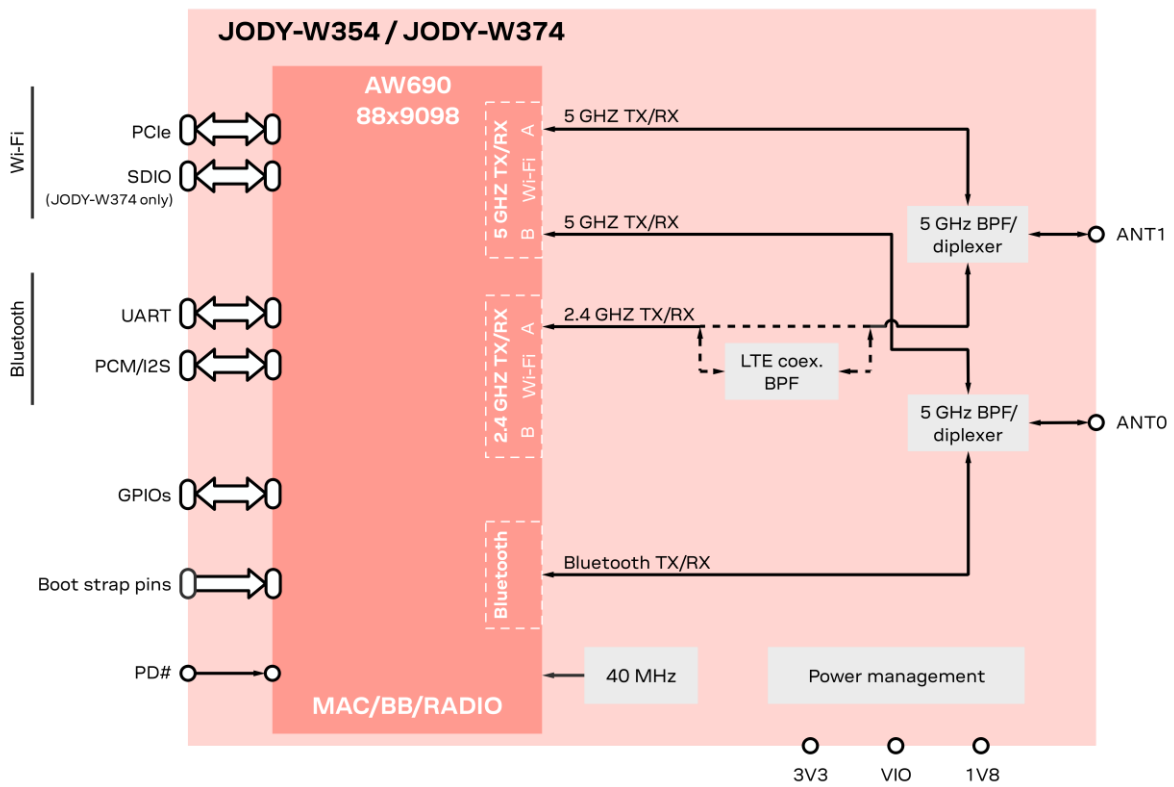


Figure 1: Block diagram of JODY-W354 and JODY-W374

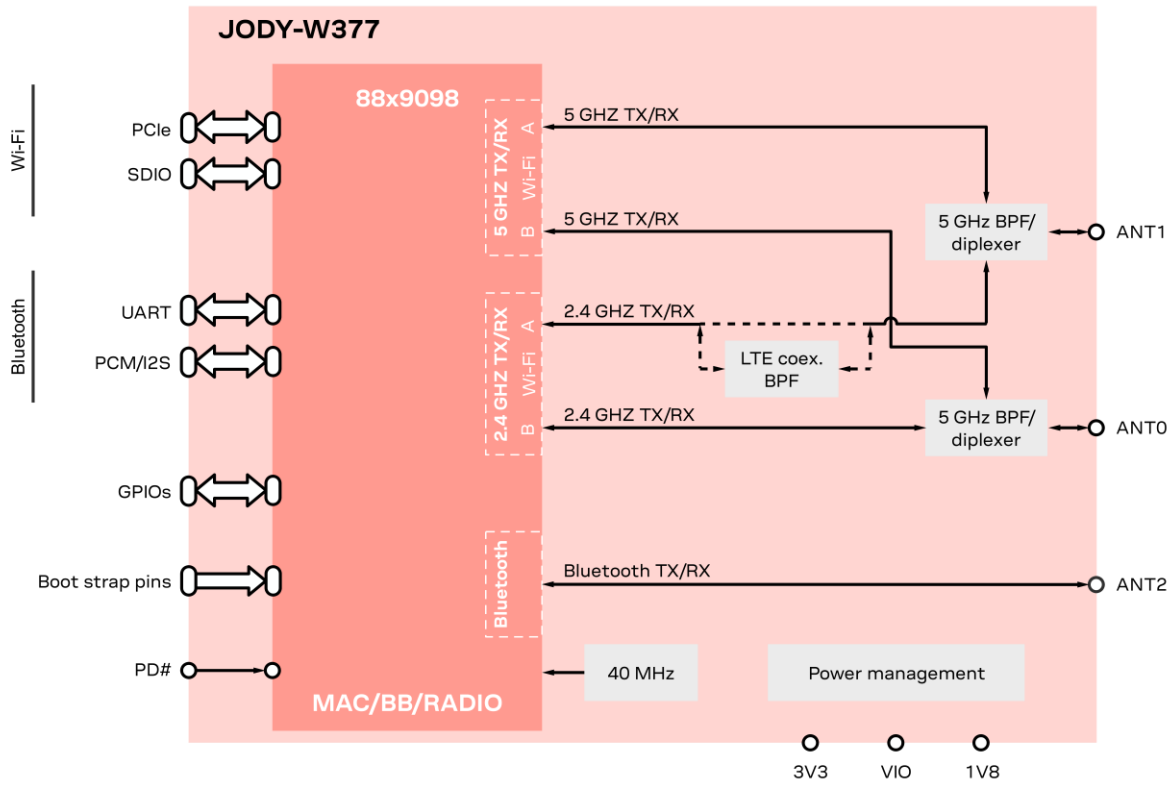


Figure 2: Block diagram of JODY-W377