

# SARA-R4 series

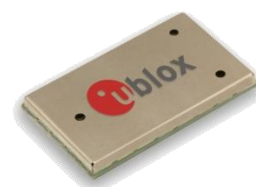
## LTE Cat M1 / NB1 and EGPRS modules

### System Integration Manual

#### Abstract

This document describes the features and the system integration of the size-optimized SARA-R4 series cellular modules.

These modules are a complete, cost efficient, performance optimized, multi-mode and multi-band LTE Cat M1 / NB1 and EGPRS solution in the compact SARA form factor.



**Document Information**

<b>Title</b>	<b>SARA-R4 series</b>	
<b>Subtitle</b>	LTE Cat M1 / NB1 and EGPRS modules	
<b>Document type</b>	System Integration Manual	
<b>Document number</b>	UBX-16029218	
<b>Revision and date</b>	R09	09-May-2018
<b>Disclosure restriction</b>		

<b>Product Status</b>	<b>Corresponding content status</b>	
<b>Functional Sample</b>	Draft	For functional testing. Revised and supplementary data will be published later.
<b>In Development / Prototype</b>	Objective Specification	Target values. Revised and supplementary data will be published later.
<b>Engineering Sample</b>	Advance Information	Data based on early testing. Revised and supplementary data will be published later.
<b>Initial Production</b>	Early Prod. Information	Data from product verification. Revised and supplementary data may be published later.
<b>Mass Production / End of Life</b>	Production Information	Final product specification.

**This document applies to the following products:**

<b>Name</b>	<b>Type number</b>	<b>Firmware version</b>	<b>Application version</b>	<b>PCN reference</b>	<b>Product Status</b>
SARA-R404M	SARA-R404M-00B-00	K0.0.00.00.07.06	N/A	UBX-17047084	Initial Production
SARA-R410M	SARA-R410M-01B-00	L0.0.00.00.02.03	N/A	UBX-17051617	Initial Production
	SARA-R410M-02B-00	L0.0.00.00.05.06	A02.00	UBX-18010263	Initial Production
SARA-R412M	SARA-R412M-02B-00	M0.03.00	A01.03	UBX-18017915	Prototype

u-blox reserves all rights to this document and the information contained herein. Products, names, logos and designs described herein may in whole or in part be subject to intellectual property rights. Reproduction, use, modification or disclosure to third parties of this document or any part thereof without the express permission of u-blox is strictly prohibited.

The information contained herein is provided "as is" and u-blox assumes no liability for the use of the information. No warranty, either express or implied, is given, including but not limited to, with respect to the accuracy, correctness, reliability and fitness for a particular purpose of the information. This document may be revised by u-blox at any time. For most recent documents, visit [www.u-blox.com](http://www.u-blox.com).

Copyright © 2018, u-blox AG

u-blox is a registered trademark of u-blox Holding AG in the EU and other countries.. Microsoft and Windows are either registered trademarks or trademarks of Microsoft Corporation in the United States and/or other countries. All other registered trademarks or trademarks mentioned in this document are property of their respective owners.

# Preface

## u-blox Technical Documentation

As part of our commitment to customer support, u-blox maintains an extensive volume of technical documentation for our products. In addition to our product-specific technical data sheets, the following manuals are available to assist u-blox customers in product design and development.

- **AT Commands Manual:** This document provides the description of the AT commands supported by the u-blox cellular modules.
- **System Integration Manual:** This document provides the description of u-blox cellular modules' system from the hardware and the software point of view, it provides hardware design guidelines for the optimal integration of the cellular modules in the application device and it provides information on how to set up production and final product tests on application devices integrating the cellular modules.
- **Application Note:** These documents provide guidelines and information on specific hardware and/or software topics on u-blox cellular modules. See Related documents for a list of Application Notes related to your Cellular Module.

## How to use this Manual

The SARA-R4 series System Integration Manual provides the necessary information to successfully design and configure the u-blox cellular modules.

This manual has a modular structure. It is not necessary to read it from the beginning to the end.

The following symbols are used to highlight important information within the manual:



An index finger points out key information pertaining to module integration and performance.



**A warning symbol indicates actions that could negatively impact or damage the module.**

## Questions

If you have any questions about u-blox Cellular Integration:

- Read this manual carefully.
- Contact our information service on the homepage <http://www.u-blox.com/>

## Technical Support

### Worldwide Web

Our website (<http://www.u-blox.com/>) is a rich pool of information. Product information, technical documents can be accessed 24h a day.

### By E-mail

Contact the closest Technical Support office by email. Use our service pool email addresses rather than any personal email address of our staff. This makes sure that your request is processed as soon as possible. You will find the contact details at the end of the document.

### Helpful Information when Contacting Technical Support

When contacting Technical Support, have the following information ready:

- Module type (SARA-R404M) and firmware version
- Module configuration
- Clear description of your question or the problem
- A short description of the application
- Your complete contact details

# Contents

<b>Preface .....</b>	<b>3</b>
<b>Contents.....</b>	<b>4</b>
<b>1 System description.....</b>	<b>7</b>
1.1 Overview .....	7
1.2 Architecture.....	10
1.3 Pin-out .....	11
1.4 Operating modes.....	15
1.5 Supply interfaces .....	17
1.5.1 Module supply input (VCC) .....	17
1.5.2 Generic digital interfaces supply output (V_INT).....	22
1.6 System function interfaces.....	23
1.6.1 Module power-on .....	23
1.6.2 Module power-off.....	24
1.6.3 Module reset.....	25
1.7 Antenna interface.....	26
1.7.1 Antenna RF interface (ANT) .....	26
1.7.2 Antenna detection interface (ANT_DET) .....	27
1.8 SIM interface .....	27
1.8.1 SIM interface.....	27
1.8.2 SIM detection interface .....	27
1.9 Data communication interfaces .....	28
1.9.1 UART interface .....	28
1.9.2 USB interface.....	30
1.9.3 SPI interface .....	31
1.9.4 SDIO interface.....	31
1.9.5 DDC (I <sup>2</sup> C) interface .....	31
1.10 Audio .....	31
1.11 General Purpose Input/Output.....	32
1.12 Reserved pins (RSVD) .....	32
1.13 System features .....	33
1.13.1 Network indication .....	33
1.13.2 Antenna supervisor .....	33
1.13.3 Dual stack IPv4/IPv6.....	33
1.13.4 TCP/IP and UDP/IP .....	33
1.13.5 FTP.....	33
1.13.6 HTTP .....	34
1.13.7 Firmware update Over AT (FOAT) .....	34
1.13.8 Firmware update Over The Air (uFOTA) .....	34
1.13.9 Power saving.....	34

<b>2</b>	<b>Design-in.....</b>	<b>37</b>
2.1	Overview .....	37
2.2	Supply interfaces .....	38
2.2.1	Module supply (VCC) .....	38
2.2.2	Generic digital interfaces supply output (V_INT).....	54
2.3	System functions interfaces .....	55
2.3.1	Module power-on (PWR_ON) .....	55
2.3.2	Module reset (RESET_N) .....	56
2.4	Antenna interface.....	57
2.4.1	Antenna RF interface (ANT) .....	57
2.4.2	Antenna detection interface (ANT_DET) .....	64
2.5	SIM interface .....	67
2.5.1	Guidelines for SIM circuit design.....	67
2.5.2	Guidelines for SIM layout design .....	71
2.6	Data communication interfaces .....	72
2.6.1	UART interface .....	72
2.6.2	USB interface.....	77
2.6.3	SPI interface .....	79
2.6.4	SDIO interface .....	79
2.6.5	DDC (I <sup>2</sup> C) interface .....	79
2.7	Audio .....	82
2.8	General Purpose Input/Output .....	82
2.9	Reserved pins (RSVD) .....	83
2.10	Module placement.....	83
2.11	Module footprint and paste mask.....	84
2.12	Thermal guidelines.....	85
2.13	Schematic for SARA-R4 series module integration .....	86
2.13.1	Schematic for SARA-R4 series modules.....	86
2.14	Design-in checklist .....	87
2.14.1	Schematic checklist .....	87
2.14.2	Layout checklist.....	88
2.14.3	Antenna checklist.....	88
<b>3</b>	<b>Handling and soldering .....</b>	<b>89</b>
3.1	Packaging, shipping, storage and moisture preconditioning .....	89
3.2	Handling.....	89
3.3	Soldering .....	90
3.3.1	Soldering paste.....	90
3.3.2	Reflow soldering .....	90
3.3.3	Optical inspection.....	91
3.3.4	Cleaning.....	91
3.3.5	Repeated reflow soldering.....	91
3.3.6	Wave soldering.....	92
3.3.7	Hand soldering.....	92

3.3.8	Rework.....	92
3.3.9	Conformal coating .....	92
3.3.10	Casting.....	92
3.3.11	Grounding metal covers .....	92
3.3.12	Use of ultrasonic processes.....	92
<b>4</b>	<b>Approvals.....</b>	<b>93</b>
4.1	Product certification approval overview.....	93
4.2	US Federal Communications Commission notice.....	95
4.2.1	Safety warnings review the structure .....	95
4.2.2	Declaration of Conformity .....	95
4.2.3	Modifications .....	96
4.3	Innovation, Science and Economic Development Canada notice .....	97
4.3.1	Declaration of Conformity .....	97
4.3.2	Modifications .....	97
4.4	European Conformance CE mark.....	99
4.5	Taiwanese National Communication Commission .....	100
<b>5</b>	<b>Product testing .....</b>	<b>101</b>
5.1	u-blox in-series production test.....	101
5.2	Test parameters for OEM manufacturers.....	102
5.2.1	“Go/No go” tests for integrated devices.....	102
5.2.2	RF functional tests .....	102
	<b>Appendix .....</b>	<b>104</b>
<b>A</b>	<b>Migration between SARA modules.....</b>	<b>104</b>
A.1	Overview .....	104
A.2	Pin-out comparison between the SARA-G3, SARA-U2, SARA-R4 and SARA-N2 modules .....	106
<b>B</b>	<b>Glossary .....</b>	<b>111</b>
	<b>Related documents.....</b>	<b>113</b>
	<b>Revision history .....</b>	<b>114</b>
	<b>Contact.....</b>	<b>115</b>

# 1 System description

## 1.1 Overview

The SARA-R4 series comprises LTE Cat M1, LTE Cat NB1 and EGPRS multi-mode modules in the miniature SARA LGA form-factor (26.0 x 16.0 mm, 96-pin), that allows an easy integration in compact designs and a seamless drop-in migration from u-blox cellular module families.

SARA-R4 series modules are form-factor compatible with u-blox LISA, LARA and TOBY cellular module families and are pin-to-pin compatible with u-blox SARA-N, SARA-G and SARA-U cellular module families. This facilitates migration from the u-blox NB-IoT, GSM/GPRS, CDMA, UMTS/HSPA and other LTE modules, maximizes customer investments, simplifies logistics, and enables very short time-to-market.

The modules are ideal for LPWA applications with low to medium data throughput rates, as well as devices that require long battery lifetimes, such as connected health, smart metering, smart cities and wearables.

SARA-R4 series includes the following modules:

- SARA-R404M LTE Cat M1 single-band modules designed primarily to operate on Verizon network
- SARA-R410M-01B LTE Cat M1 quad-band modules designed primarily to operate on AT&T network
- SARA-R410M-02B LTE Cat M1 / LTE Cat NB1 multi-mode and multi-band modules, with software-based bands' configurability for worldwide operation
- SARA-R412M-02B LTE Cat M1 / LTE Cat NB1 / (E)GPRS / GSM multi-mode and multi-band modules, with software-based bands' configurability for worldwide operation

The modules support handover capability and delivers the technology necessary for use in applications such as vehicle, asset and people tracking where mobility is a pre-requisite. Other applications where the modules are well-suited include and are not limited to: smart home, security systems, industrial monitoring and control.

The modules support data communication over an extended operating temperature range of -40 to +85 °C, with extremely low power consumption, and with coverage enhancement for deeper range into buildings and basements (and underground with NB1).

Table 1 summarizes the main features and interfaces of SARA-R4 series modules.

Model	Region	Bands	Positioning	Interfaces	Audio	Features	Grade
		3GPP Release Baseline 3GPP LTE category LTE FDD bands GSM(E)/GPRS 4-band	GNSS via modem AssistNow software CellLocate®	UART USB 2.0 SPI SDIO DDC (fC) GPIOs	Analog audio Digital audio	Power Saving Mode eDRX Antenna supervisor Embedded TCP/UDP stack Embedded HTTP, FTP Dual stack IPv4/IPv6 FW update over the air (FOTA)	Standard Professional Automotive
<b>SARA-R404M</b>	USA	13 M1 13		• • • • •		• • • • • • •	•
<b>SARA-R410M-01B</b>	N. America	13 M1 2,4 5,12		• • • • •		• • • • • • •	•
<b>SARA-R410M-02B</b>	Global	13 M1 NB1 *	• • ○	• • ○ ○ • •	○	• • • • • • •	•
<b>SARA-R412M-02B</b>	Global	13 M1 NB1 * •	• • ○	• • ○ ○ • •	○	• • • • • • •	•

\* = Bands 1, 2, 3, 4, 5, 8, 12, 13, 17, 18, 19, 20, 25, 26, 28 (and band 39 in M1-only) • = supported by all FW versions ○ = supported by future FW versions

**Table 1: SARA-R4 series main features summary**

Table 2 reports a summary of cellular radio access technologies characteristics and features of the modules.

Item	SARA-R404M	SARA-R410M-01B	SARA-R410M-02B	SARA-R412M-02B
Protocol stack	3GPP Release 13	3GPP Release 13	3GPP Release 13	3GPP Release 13
RAT	LTE Cat M1 Half-Duplex	LTE Cat M1 Half-Duplex	LTE Cat M1 Half-Duplex LTE Cat NB1 Half-Duplex	LTE Cat M1 Half-Duplex LTE Cat NB1 Half-Duplex 2G GSM / GPRS / EGPRS
Operating bands	LTE FDD bands: <ul style="list-style-type: none"> <li>Band 13 (750 MHz)</li> </ul>	LTE FDD bands: <ul style="list-style-type: none"> <li>Band 12 (700 MHz)</li> <li>Band 5 (850 MHz)</li> <li>Band 4 (1700 MHz)</li> <li>Band 2 (1900 MHz)</li> </ul>	LTE FDD bands: <ul style="list-style-type: none"> <li>Band 12 (700 MHz)</li> <li>Band 17 (700 MHz)</li> <li>Band 28 (700 MHz)</li> <li>Band 13 (700 MHz)</li> <li>Band 20 (800 MHz)</li> <li>Band 26 (850 MHz)</li> <li>Band 5 (850 MHz)</li> <li>Band 19 (850 MHz)</li> <li>Band 8 (900 MHz)</li> <li>Band 4 (1700 MHz)</li> <li>Band 3 (1800 MHz)</li> <li>Band 2 (1900 MHz)</li> <li>Band 25 (1900 MHz)</li> <li>Band 1 (2100 MHz)</li> </ul> LTE TDD bands: <ul style="list-style-type: none"> <li>Band 39 (1900 MHz)<sup>1</sup></li> </ul>	LTE FDD bands: <ul style="list-style-type: none"> <li>Band 12 (700 MHz)</li> <li>Band 17 (700 MHz)</li> <li>Band 28 (700 MHz)</li> <li>Band 13 (700 MHz)</li> <li>Band 20 (800 MHz)</li> <li>Band 26 (850 MHz)</li> <li>Band 5 (850 MHz)</li> <li>Band 19 (850 MHz)</li> <li>Band 8 (900 MHz)</li> <li>Band 4 (1700 MHz)</li> <li>Band 3 (1800 MHz)</li> <li>Band 2 (1900 MHz)</li> <li>Band 25 (1900 MHz)</li> <li>Band 1 (2100 MHz)</li> </ul> LTE TDD bands: <ul style="list-style-type: none"> <li>Band 39 (1900 MHz)<sup>1</sup></li> </ul> 2G bands: <ul style="list-style-type: none"> <li>GSM 850 MHz</li> <li>E-GSM 900 MHz</li> <li>DCS 1800 MHz</li> <li>PCS 1900 MHz</li> </ul>
Power class	LTE Cat M1: <ul style="list-style-type: none"> <li>Class 3 (23 dBm)</li> </ul>	LTE category M1: <ul style="list-style-type: none"> <li>Class 3 (23 dBm)</li> </ul>	LTE Cat M1 / NB1: <ul style="list-style-type: none"> <li>Class 3 (23 dBm)</li> </ul>	LTE category M1 / NB1: <ul style="list-style-type: none"> <li>Class 3 (23 dBm)</li> </ul> 2G GMSK: <ul style="list-style-type: none"> <li>Class 4 (33 dBm) for GSM/E-GSM bands</li> <li>Class 1 (30 dBm) for DCS/PCS bands</li> </ul> 2G 8-PSK: <ul style="list-style-type: none"> <li>Class E2 (27 dBm) for GSM/E-GSM bands</li> <li>Class E2 (26 dBm) for DCS/PCS bands</li> </ul>
Data rate	LTE category M1: <ul style="list-style-type: none"> <li>up to 375 kb/s UL</li> <li>up to 300 kb/s DL</li> </ul>	LTE category M1: <ul style="list-style-type: none"> <li>up to 375 kb/s UL</li> <li>up to 300 kb/s DL</li> </ul>	LTE category M1: <ul style="list-style-type: none"> <li>up to 375 kb/s UL</li> <li>up to 300 kb/s DL</li> </ul> LTE category NB1: <ul style="list-style-type: none"> <li>up to 62.5 kb/s UL</li> <li>up to 27.2 kb/s DL</li> </ul>	LTE category M1: <ul style="list-style-type: none"> <li>up to 375 kb/s UL</li> <li>up to 300 kb/s DL</li> </ul> LTE category NB1: <ul style="list-style-type: none"> <li>up to 62.5 kb/s UL</li> <li>up to 27.2 kb/s DL</li> </ul> GPRS multi-slot class 33 <sup>2</sup> : <ul style="list-style-type: none"> <li>Up to 85.6 kb/s UL</li> <li>Up to 107 kb/s DL</li> </ul> EGPRS multi-slot class 33 <sup>2</sup> : <ul style="list-style-type: none"> <li>Up to 236.8 kb/s UL</li> <li>Up to 296.0 kb/s DL</li> </ul>

**Table 2: SARA-R4 series LTE Cat M1, LTE Cat NB1, EGPRS, GPRS and GSM characteristics summary**

<sup>1</sup> Supported in LTE category M1 only

<sup>2</sup> GPRS/EGPRS multi-slot class 33 implies a maximum of 5 slots in DL (reception) and 4 slots in UL (transmission) with 6 slots in total.





## 1.2 Architecture

Figure 1 summarizes the internal architecture of SARA-R4 series modules.

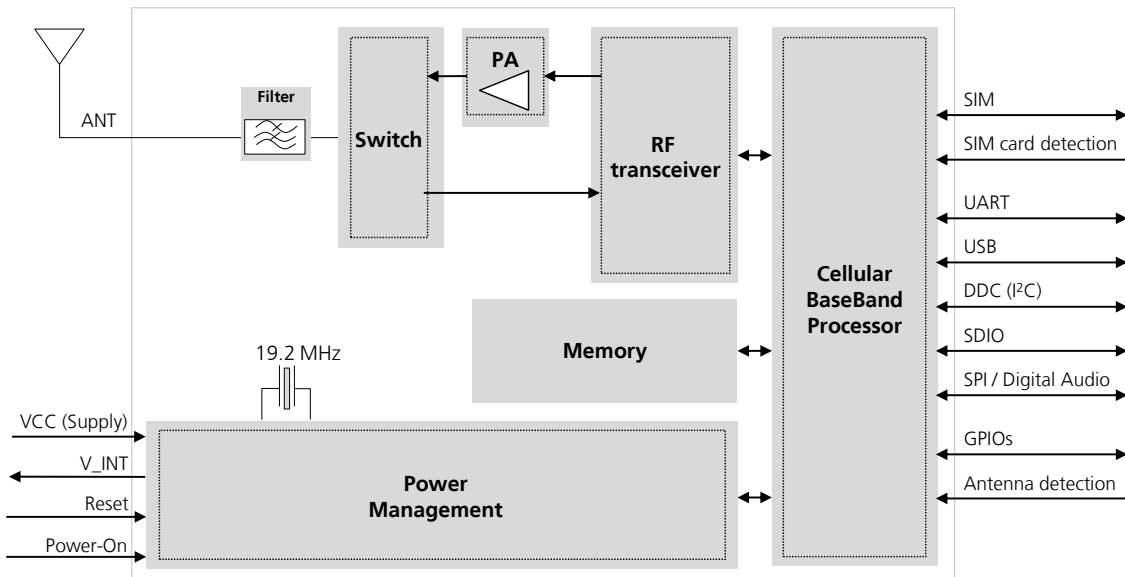


Figure 1: SARA-R4 series modules simplified block diagram



SARA-R404M-00B and SARA-R410M-01B modules, i.e. the “00” and “01” product versions of the SARA-R4 series modules, do not support the following interfaces, which should be left unconnected and should not be driven by external devices:

- DDC (I<sup>2</sup>C) interface
- SDIO interface
- SPI interface
- Digital audio interface



SARA-R410M-02B and SARA-R412M-02B modules, i.e. the “02” product version of the SARA-R4 series modules, do not support the following interfaces, which should be left unconnected and should not be driven by external devices:

- SDIO interface
- SPI interface
- Digital audio interface

## 1.3 Pin-out

Table 3 lists the pin-out of the SARA-R4 series modules, with pins grouped by function.

Function	Pin Name	Pin No	I/O	Description	Remarks
Power	VCC	51, 52, 53	I	Module supply input	VCC supply circuit affects the RF performance and compliance of the device integrating the module with applicable required certification schemes. See section 1.5.1 for functional description / requirements. See section 2.2.1 for external circuit design-in.
	GND	1, 3, 5, 14, 20-22, 30, 32, 43, 50, 54, 55, 57-61, 63-96	N/A	Ground	GND pins are internally connected each other. External ground connection affects the RF and thermal performance of the device. See section 1.5.1 for functional description. See section 2.2.1 for external circuit design-in.
	V_INT	4	O	Generic digital interfaces supply output	V_INT = 1.8 V (typical) generated by internal regulator when the module is switched on, outside the low power PSM deep sleep mode. Test-Point for diagnostic access is recommended. See section 1.5.2 for functional description. See section 2.2.2 for external circuit design-in.
System	PWR_ON	15	I	Power-on input	Internal 200 kΩ pull-up resistor. Test-Point for diagnostic access is recommended. See section 1.6.1 for functional description. See section 2.3.1 for external circuit design-in.
	RESET_N	18	I	External reset input	Internal 37 kΩ pull-up resistor. Test-Point for diagnostic access is recommended. See section 1.6.3 for functional description. See section 2.3.2 for external circuit design-in.
Antenna	ANT	56	I/O	Primary antenna	Main Tx / Rx antenna interface. 50 Ω nominal characteristic impedance. Antenna circuit affects the RF performance and application device compliance with required certification schemes. See section 1.7 for functional description / requirements. See section 2.4 for external circuit design-in.
	ANT_DET	62	I	Antenna detection	ADC for antenna presence detection function. See section 1.7.2 for functional description. See section 2.4.2 for external circuit design-in.
SIM	VSIM	41	O	SIM supply output	VSIM = 1.8 V / 3 V output as per the connected SIM type. See section 1.8 for functional description. See section 2.5 for external circuit design-in.
	SIM_IO	39	I/O	SIM data	Data input/output for 1.8 V / 3 V SIM. Internal 4.7 kΩ pull-up to VSIM. See section 1.8 for functional description. See section 2.5 for external circuit design-in.
	SIM_CLK	38	O	SIM clock	4.8 MHz clock output for 1.8 V / 3 V SIM. See section 1.8 for functional description. See section 2.5 for external circuit design-in.
	SIM_RST	40	O	SIM reset	Reset output for 1.8 V / 3 V SIM. See section 1.8 for functional description. See section 2.5 for external circuit design-in.

Function	Pin Name	Pin No	I/O	Description	Remarks
UART	RXD	13	O	UART data output	1.8 V output, Circuit 104 (RXD) in ITU-T V.24, for AT commands, data communication, FOAT. See section 1.9.1 for functional description. See section 2.6.1 for external circuit design-in.
	TXD	12	I	UART data input	1.8 V input, Circuit 103 (TXD) in ITU-T V.24, for AT commands, data communication, FOAT. Internal active pull-down to GND on "00", "02" versions Internal active pull-up to <b>V_INT</b> on "01" versions See section 1.9.1 for functional description. See section 2.6.1 for external circuit design-in.
	CTS	11	O	UART clear to send output	1.8 V output, Circuit 106 (CTS) in ITU-T V.24. Not supported by '00', '01' and R410M-02B product versions See section 1.9.1 for functional description. See section 2.6.1 for external circuit design-in.
	RTS	10	I	UART ready to send input	1.8 V input, Circuit 105 (RTS) in ITU-T V.24. Internal active pull-up to <b>V_INT</b> . Not supported by '00', '01' and R410M-02B product versions See section 1.9.1 for functional description. See section 2.6.1 for external circuit design-in.
	DSR	6	O	UART data set ready output	1.8 V, Circuit 107 in ITU-T V.24. See section 1.9.1 for functional description. See section 2.6.1 for external circuit design-in.
	RI	7	O	UART ring indicator output	1.8 V, Circuit 125 in ITU-T V.24. See section 1.9.1 for functional description. See section 2.6.1 for external circuit design-in.
	DTR	9	I	UART data terminal ready input	1.8 V, Circuit 108/2 in ITU-T V.24. Internal active pull-up to <b>V_INT</b> . See section 1.9.1 for functional description. See section 2.6.1 for external circuit design-in.
	DCD	8	O	UART data carrier detect output	1.8 V, Circuit 109 in ITU-T V.24. See section 1.9.1 for functional description. See section 2.6.1 for external circuit design-in.
	USB	VUSB_DET	17	I	USB detect input
USB_D-		28	I/O	USB Data Line D-	USB interface for AT commands, data communication, FOAT, FW update by u-blox dedicated tool and diagnostics. 90 Ω nominal differential impedance ( $Z_D$ ) 30 Ω nominal common mode impedance ( $Z_{CM}$ ) Pull-up or pull-down resistors and external series resistors as required by the USB 2.0 specifications [4] are part of the USB pin driver and need not be provided externally. Test-Point for diagnostic / FW update strongly recommended. See section 1.9.2 for functional description. See section 2.6.2 for external circuit design-in.
USB_D+		29	I/O	USB Data Line D+	USB interface for AT commands, data communication, FOAT, FW update by u-blox dedicated tool and diagnostics. 90 Ω nominal differential impedance ( $Z_D$ ) 30 Ω nominal common mode impedance ( $Z_{CM}$ ) Pull-up or pull-down resistors and external series resistors as required by the USB 2.0 specifications [4] are part of the USB pin driver and need not be provided externally. Test-Point for diagnostic / FW update strongly recommended. See section 1.9.2 for functional description. See section 2.6.2 for external circuit design-in.

Function	Pin Name	Pin No	I/O	Description	Remarks
SPI	I2S_WA / SPI_MOSI	34	O	SPI MOSI	SPI Master Output Slave Input, alternatively configurable as I <sup>2</sup> S word alignment Not supported by "00", "01" and "02" product versions. See section 1.9.3 for functional description. See section 2.6.3 for external circuit design-in.
	I2S_RXD / SPI_MISO	37	I	SPI MISO	SPI Master Input Slave Output, alternatively configurable as I <sup>2</sup> S receive data Not supported by "00", "01" and "02" product versions. See section 1.9.3 for functional description. See section 2.6.3 for external circuit design-in.
	I2S_CLK / SPI_CLK	36	O	SPI clock	SPI clock, alternatively configurable as I <sup>2</sup> S clock Not supported by "00", "01" and "02" product versions. See section 1.9.3 for functional description. See section 2.6.3 for external circuit design-in.
	I2S_TXD / SPI_CS	35	O	SPI Chip Select	SPI Chip Select, alternatively configurable as I <sup>2</sup> S transmit data Not supported by "00", "01" and "02" product versions. See section 1.9.3 for functional description. See section 2.6.3 for external circuit design-in.
SDIO	SDIO_D0	47	I/O	SDIO serial data [0]	Not supported by "00", "01" and "02" product versions. See section 1.9.4 for functional description. See section 2.6.4 for external circuit design-in.
	SDIO_D1	49	I/O	SDIO serial data [1]	Not supported by "00", "01" and "02" product versions. See section 1.9.4 for functional description. See section 2.6.4 for external circuit design-in.
	SDIO_D2	44	I/O	SDIO serial data [2]	Not supported by "00", "01" and "02" product versions. See section 1.9.4 for functional description. See section 2.6.4 for external circuit design-in.
	SDIO_D3	48	I/O	SDIO serial data [3]	Not supported by "00", "01" and "02" product versions. See section 1.9.4 for functional description. See section 2.6.4 for external circuit design-in.
	SDIO_CLK	45	O	SDIO serial clock	Not supported by "00", "01" and "02" product versions. See section 1.9.4 for functional description. See section 2.6.4 for external circuit design-in.
	SDIO_CMD	46	I/O	SDIO command	Not supported by "00", "01" and "02" product versions. See section 1.9.4 for functional description. See section 2.6.4 for external circuit design-in.
DDC	SCL	27	O	I <sup>2</sup> C bus clock line	1.8 V open drain, for communication with I <sup>2</sup> C-slave devices. Internal pull-up to <b>V_INT</b> : external pull-up is not required. Not supported by "00" and "01" product versions. See section 1.9.5 for functional description. See section 2.6.5 for external circuit design-in.
	SDA	26	I/O	I <sup>2</sup> C bus data line	1.8 V open drain, for communication with I <sup>2</sup> C-slave devices. Internal pull-up to <b>V_INT</b> : external pull-up is not required. Not supported by "00" and "01" product versions. See section 1.9.5 for functional description. See section 2.6.5 for external circuit design-in.

Function	Pin Name	Pin No	I/O	Description	Remarks
Audio	I2S_TXD / SPI_CS	35	O	I <sup>2</sup> S transmit data	I <sup>2</sup> S transmit data, alternatively configurable as SPI Chip Select Not supported by "00", "01" and "02" product versions. See section 1.10 for functional description. See section 2.7 for external circuit design-in.
	I2S_RXD / SPI_MISO	37	I	I <sup>2</sup> S receive data	I <sup>2</sup> S receive data, alternatively configurable as SPI Master Input Slave Output Not supported by "00", "01" and "02" product versions. See section 1.10 for functional description. See section 2.7 for external circuit design-in.
	I2S_CLK / SPI_CLK	36	I/O	I <sup>2</sup> S clock	I <sup>2</sup> S clock, alternatively configurable as SPI clock Not supported by "00", "01" and "02" product versions. See section 1.10 for functional description. See section 2.7 for external circuit design-in.
	I2S_WA / SPI_MOSI	34	I/O	I <sup>2</sup> S word alignment	I <sup>2</sup> S word alignment, alternatively configurable as SPI Master Output Slave Input Not supported by "00", "01" and "02" product versions. See section 1.10 for functional description. See section 2.7 for external circuit design-in.
GPIO	GPIO1	16	I/O	GPIO	1.8 V GPIO with alternatively configurable functions. See section 1.11 for functional description. See section 2.8 for external circuit design-in.
	GPIO2	23	I/O	GPIO	1.8 V GPIO with alternatively configurable functions. See section 1.11 for functional description. See section 2.8 for external circuit design-in.
	GPIO3	24	I/O	GPIO	1.8 V GPIO with alternatively configurable functions. See section 1.11 for functional description. See section 2.8 for external circuit design-in.
	GPIO4	25	I/O	GPIO	1.8 V GPIO with alternatively configurable functions. See section 1.11 for functional description. See section 2.8 for external circuit design-in.
	GPIO5	42	I/O	GPIO	1.8 V GPIO with alternatively configurable functions. See section 1.11 for functional description. See section 2.8 for external circuit design-in.
	GPIO6	19	I/O	GPIO	1.8 V GPIO with alternatively configurable functions. See section 1.11 for functional description. See section 2.8 for external circuit design-in.
Reserved	RSVD	33	N/A	Reserved pin	This pin can be connected to GND. See sections 1.12 and 2.9
	RSVD	2, 31	N/A	Reserved pin	Leave unconnected. See sections 1.12 and 2.9

Table 3: SARA-R4 series module pin definition, grouped by function

## 1.4 Operating modes

SARA-R4 series modules have several operating modes. The operating modes are defined in Table 4 and described in detail in Table 5, providing general guidelines for operation.

General Status	Operating Mode	Definition
Power-down	Not-Powered Mode	VCC supply not present or below operating range: module is switched off.
	Power-Off Mode	VCC supply within operating range and module is switched off.
Normal Operation	Deep-Sleep Mode	RTC runs with 32 kHz reference internally generated.
	Active Mode	Module processor core runs with 19.2 MHz reference generated by the internal oscillator
	Connected Mode	RF Tx/Rx data connection enabled and processor core runs with 19.2 MHz reference.

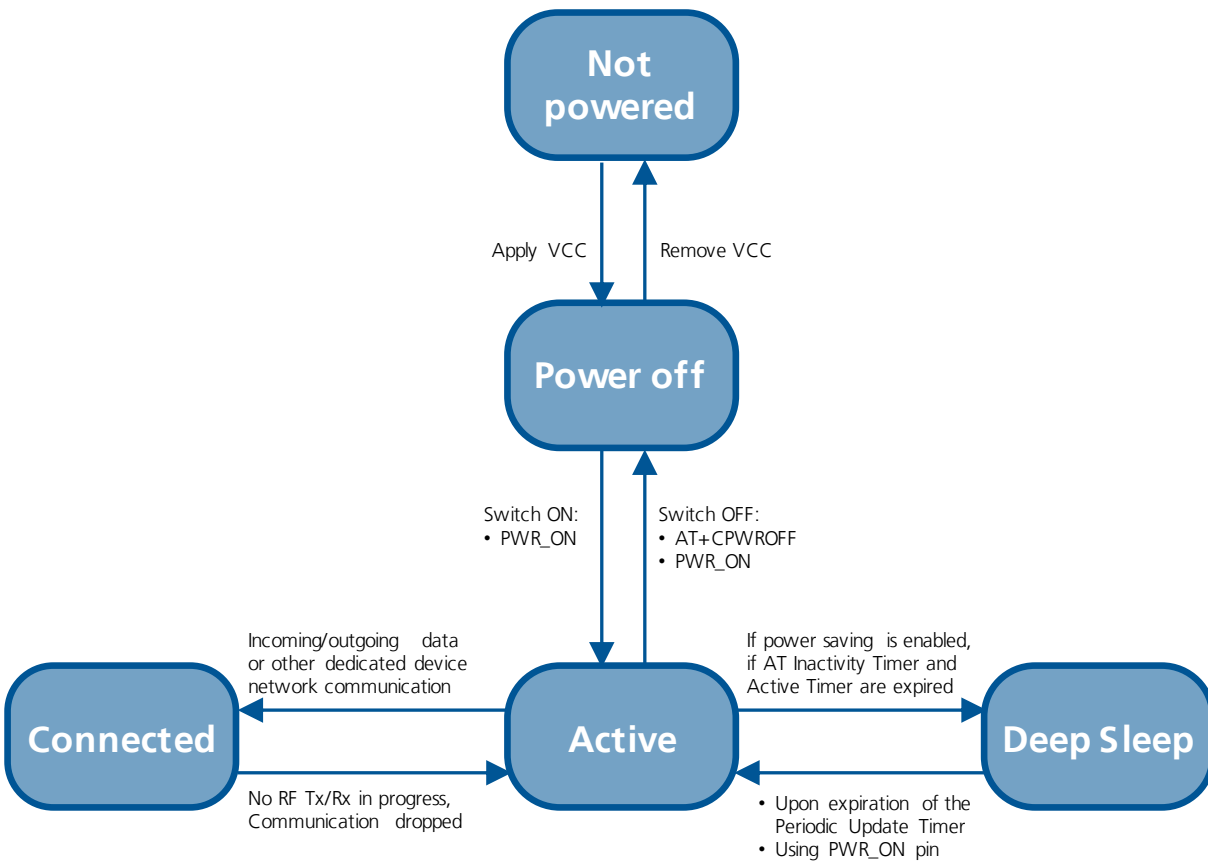
Table 4: SARA-R4 series modules operating modes definition

Mode	Description	Transition between operating modes
<b>Not-Powered</b>	Module is switched off. Application interfaces are not accessible.	When <b>VCC</b> supply is removed, the modules enter not-powered mode. When in not-powered mode, the module can enter power-off mode applying <b>VCC</b> supply (see 1.6.1).
<b>Power-Off</b>	Module is switched off: normal shutdown by an appropriate power-off event (see 1.6.2). Application interfaces are not accessible.	The modules enter power-off mode from active mode when the host processor implements a clean switch-off procedure, by sending the AT+CPWROFF command or by using the <b>PWR_ON</b> pin (see 1.6.2). When in power-off mode, the modules can be switched on by the host processor using the <b>PWR_ON</b> input pin (see 1.6.1). When in power-off mode, the modules enter not-powered mode by removing <b>VCC</b> supply.
<b>Deep-Sleep</b>	Only the internal 32 kHz reference is active. The RF section and the application interfaces are temporarily disabled and switched off: the module is temporarily not ready to communicate with an external device by means of the application interfaces as configured to reduce the current consumption. The module enters the low power deep sleep mode (entering the Power Saving Mode defined in 3GPP Rel.13) whenever possible, if power saving configuration is enabled by AT+CPSMS command (see the SARA-R4 series AT Commands Manual [2]), reducing current consumption (see 1.13.9). Power saving configuration is not enabled by default; it can be enabled by AT+CPSMS (see the SARA-R4 series AT Commands Manual [2]).	The modules automatically switch from the active mode to low power deep sleep mode whenever possible, upon expiration of the 6 seconds AT inactivity timer, and upon expiration of "Active Timer", entering in the Power Saving Mode defined in 3GPP Rel.13, if power saving configuration is enabled (see 1.13.9 and the SARA-R4 series AT Commands Manual [2], AT+CPSMS command). When in low power deep sleep mode, the module switches on to the active mode upon expiration of "Periodic Update Timer" according to the Power Saving Mode defined in 3GPP Rel.13 (see 1.13.9 and the SARA-R4 series AT Commands Manual [2], AT+CPSMS command), or it can be switched on to the active mode by the host processor using the <b>PWR_ON</b> input pin (see section 1.6.1).
<b>Active</b>	Module is switched on with application interfaces enabled or not suspended: the module is ready to communicate with an external device by means of the application interfaces unless power saving configuration is enabled by AT+CPSMS (see the SARA-R4 series AT Commands Manual [2]).	The modules enter active mode from power-off mode when the host processor implements a clean switch-on procedure by using the <b>PWR_ON</b> pin (see 1.6.1). The modules enter active mode from low power deep sleep mode upon expiration of "Periodic Update Timer" (see 1.13.9), or when the host processor implements a clean switch-on procedure by using the <b>PWR_ON</b> pin (see 1.6.1). The modules enter power-off mode from active mode when the host processor implements a clean switch-off procedure (see 1.6.2). The modules automatically switch from active to low power deep sleep mode whenever possible, if power saving is enabled (see 1.13.9). The module switches from active to connected mode when a RF Tx/Rx data connection is initiated or when RF Tx/Rx activity is required due to a connection previously initiated. The module switches from connected to active mode when a RF Tx/Rx data connection is terminated or suspended.

Mode	Description	Transition between operating modes
<b>Connected</b>	RF Tx/Rx data connection is in progress. The module is prepared to accept data signals from an external device.	When a data connection is initiated, the module enters connected mode from active mode.  Connected mode is suspended if Tx/Rx data is not in progress. In such cases the module automatically switches from connected to active mode and then, if power saving configuration is enabled by the AT+CPSMS command, the module automatically switches to low power deep sleep mode whenever possible. Vice-versa, the module wakes up from low power deep sleep mode to active mode and then connected mode if RF Tx/Rx activity is necessary.  When a data connection is terminated, the module returns to the active mode.

**Table 5: SARA-R4 series modules operating modes description**

Figure 2 describes the transition between the different operating modes.



**Figure 2: SARA-R4 series modules operating modes transitions**



## 1.5 Supply interfaces

### 1.5.1 Module supply input (VCC)

The modules must be supplied via the three **VCC** pins that represent the module power supply input.

Voltage must be stable, because during operation, the current drawn by the SARA-R4 series modules through the **VCC** pins can vary by several orders of magnitude, depending on the operating mode and state (as described in sections 1.5.1.2, 1.5.1.3, 1.5.1.4 and 1.5.1.5).

It is important that the supply source is able to withstand both the maximum pulse current occurring during a transmit burst at maximum power level and the average current consumption occurring during Tx / Rx call at maximum RF power level (see the SARA-R4 Data Sheet [1]).

SARA-R412M modules provide separate supply inputs over the three **VCC** pins:

- **VCC** pins #52 and #53 represent the supply input for the internal RF power amplifier, demanding most of the total current drawn of the module when RF transmission is enabled during a call
- **VCC** pin #51 represents the supply input for the internal baseband Power Management Unit, demanding minor part of the total current drawn of the module when RF transmission is enabled during a call

The three **VCC** pins of SARA-R404M and SARA-R410M modules are internally connected each other to both the internal RF Power Amplifier and the internal baseband Power Management Unit.

Figure 3 provide a simplified block diagram of SARA-R4 series modules' internal VCC supply routing.

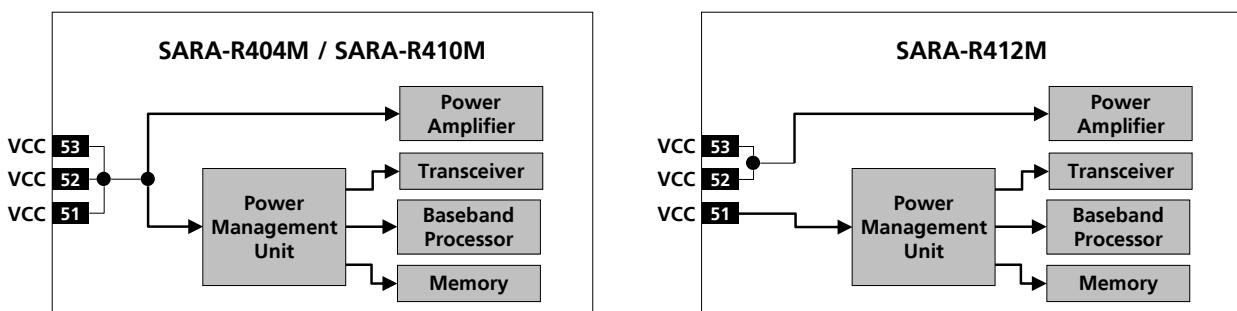



Figure 3: Block diagram of SARA-R4 series modules' internal VCC supply routing

### 1.5.1.1 VCC supply requirements

Table 6 summarizes the requirements for the **VCC** modules supply. See section 2.2.1 for suggestions to correctly design a **VCC** supply circuit compliant with the requirements listed in Table 6.

 **The supply circuit affects the RF compliance of the device integrating SARA-R4 series modules with applicable required certification schemes as well as antenna circuit design. Compliance is guaranteed if the requirements summarized in the Table 6 are fulfilled.**

Item	Requirement	Remark
<b>VCC</b> nominal voltage	Within <b>VCC</b> normal operating range: <ul style="list-style-type: none"> <li>SARA-R404M /-R410M: 3.2 V / 4.2 V</li> <li>SARA-R412M: 3.2 V / 4.5 V</li> </ul>	RF performance is guaranteed when <b>VCC</b> voltage is inside the normal operating range limits. RF performance may be affected when <b>VCC</b> voltage is outside the normal operating range limits, though the module is still fully functional until the <b>VCC</b> voltage is inside the extended operating range limits.
<b>VCC</b> voltage during normal operation	Within <b>VCC</b> extended operating range: <ul style="list-style-type: none"> <li>SARA-R404M /-R410M: 3.0 V / 4.2 V</li> <li>SARA-R412M: 3.0 V / 4.5 V</li> </ul>	<b>VCC</b> voltage must be above the extended operating range minimum limit to switch-on the module. The module may switch-off when the <b>VCC</b> voltage drops below the extended operating range minimum limit. Operation above <b>VCC</b> extended operating range is not recommended and may affect device reliability.
<b>VCC</b> average current	Support with adequate margin the highest averaged <b>VCC</b> current consumption value in connected mode conditions specified in the SARA-R4 Data Sheet [1]	The maximum average current consumption can be greater than the specified value according to the actual antenna mismatching, temperature and supply voltage. Section 1.5.1.2 describes current consumption profiles in connected mode.
<b>VCC</b> peak current	Support with adequate margin the highest peak <b>VCC</b> current consumption value in Tx connected mode conditions specified in the SARA-R4 Data Sheet [1]	The maximum peak Tx current consumption can be greater than the specified value according to the actual antenna mismatching, temperature and supply voltage. Section 1.5.1.2 describes current consumption profiles in connected mode.
<b>VCC</b> voltage drop during Tx slots	Lower than 400 mV	<b>VCC</b> voltage drop directly affects the RF compliance with applicable certification schemes. Figure 6 describes <b>VCC</b> voltage drop during 2G Tx slots.
<b>VCC</b> voltage ripple during Tx	Noise in the supply pins must be minimized	High supply voltage ripple values during RF transmissions in connected mode directly affect the RF compliance with the applicable certification schemes.
<b>VCC</b> under/over-shoot at start/end of Tx slots	Absent or at least minimized	<b>VCC</b> under/over-shoot directly affects the RF compliance with applicable certification schemes. Figure 6 describes <b>VCC</b> voltage under/over-shoot.

**Table 6: Summary of VCC modules supply requirements**

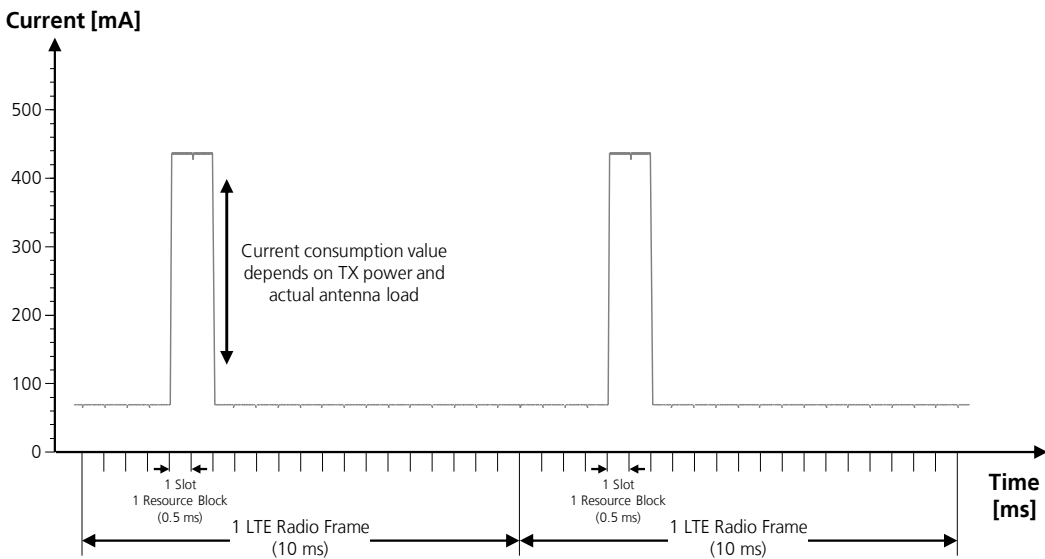
**1.5.1.2 VCC current consumption in LTE connected mode**

During an LTE connection, the SARA-R4 series modules transmit and receive in half duplex mode.

The current consumption depends on output RF power, which is always regulated by the network (the current base station) sending power control commands to the module. These power control commands are logically divided into a slot of 0.5 ms (time length of one Resource Block), thus the rate of power change can reach a maximum rate of 2 kHz.

Figure 4 shows an example of SARA-R4 modules' current consumption profile versus time in connected mode: transmission is enabled for one sub-frame (1 ms) according to LTE Category M1 half-duplex connected mode.

Detailed current consumption values can be found in the SARA-R4 series Data Sheet [1].



**Figure 4: VCC current consumption profile versus time during LTE Cat M1 half-duplex connection**

### 1.5.1.3 VCC current consumption in 2G connected mode

When a GSM call is established, the **VCC** consumption is determined by the current consumption profile typical of the GSM transmitting and receiving bursts.

The current consumption peak during a transmission slot is strictly dependent on the transmitted power, which is regulated by the network. The transmitted power in the transmit slot is also the more relevant factor for determining the average current consumption.

If the module is transmitting in 2G single-slot mode (as in GSM talk mode) in the 850 or 900 MHz bands at the maximum RF power control level (approximately 2 W or 33 dBm in the Tx slot/burst), then the current consumption can reach a high peak / pulse (see the SARA-R4 series Data Sheet [1]) for 576.9  $\mu$ s (width of the transmit slot/burst) with a periodicity of 4.615 ms (width of 1 frame = 8 slots/burst), that is, with a 1/8 duty cycle according to GSM TDMA (Time Division Multiple Access).

If the module is transmitting in 2G single-slot mode in the 1800 or 1900 MHz bands, the current consumption figures are much lower than during transmission in the low bands, due to the 3GPP transmitter output power specifications.

During a GSM call, current consumption is not significantly high while receiving or in monitor bursts, and it is low in the bursts unused to transmit / receive.

Figure 5 shows an example of the module current consumption profile versus time in GSM talk mode.

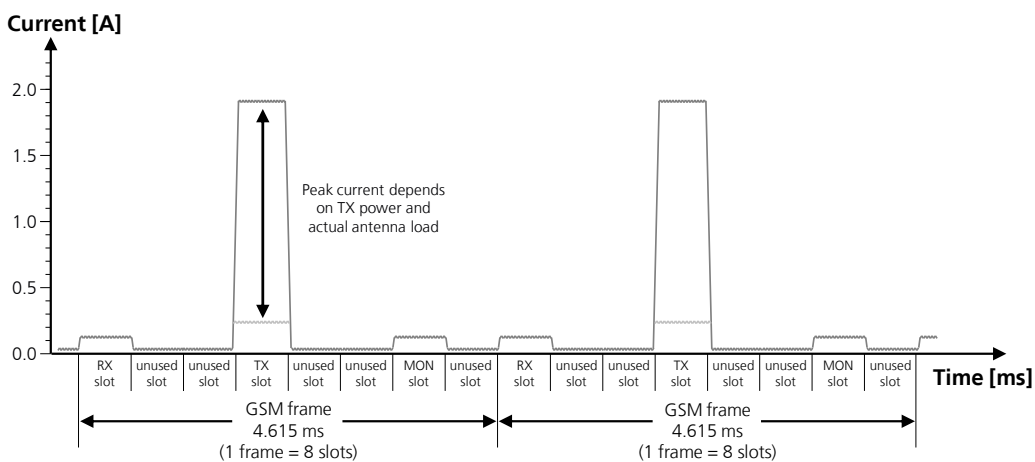


Figure 5: VCC current consumption profile versus time during a GSM call (1 TX slot, 1 RX slot)

Figure 6 illustrates the **VCC** voltage profile versus time during a GSM call, according to the related **VCC** current consumption profile described in Figure 5

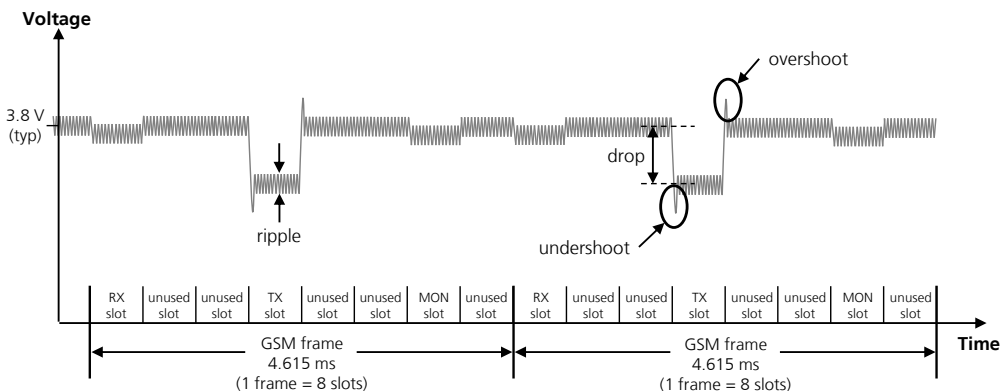
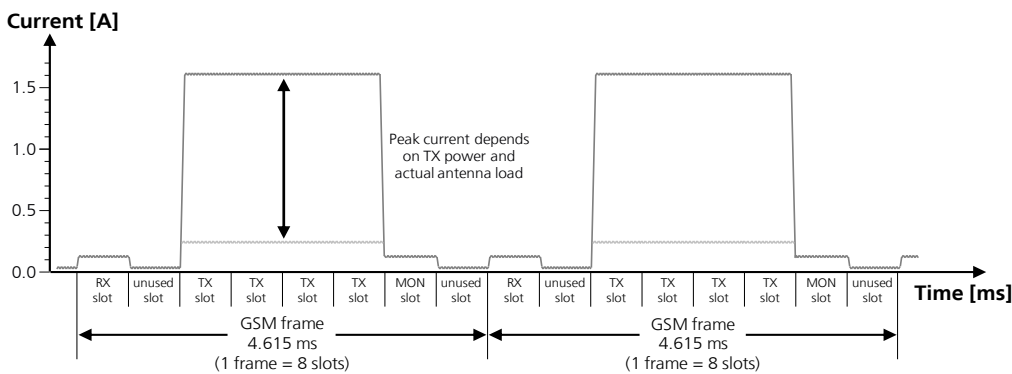


Figure 6: Description of the VCC voltage profile versus time during a GSM call (1 TX slot, 1 RX slot)

When a GPRS connection is established, more than one slot can be used to transmit and/or more than one slot can be used to receive. The transmitted power depends on network conditions, which set the peak current consumption. But according to GPRS specifications, the maximum transmitted RF power is reduced if more than one slot is used to transmit, so the maximum peak of current is not as high as it can be in the case of a GSM call. If the module transmits in GPRS multi-slot class 12, in 850 or 900 MHz bands, at maximum RF power level, the consumption can reach a quite a high peak but lower than the one achievable in 2G single-slot mode. This happens for 2.308 ms (width of the 4 Tx slots/bursts) in the case of multi-slot class 12, with a periodicity of 4.615 ms (width of 1 frame = 8 slots/bursts), so with a 1/2 duty cycle, according to GSM TDMA.

If the module is in GPRS connected mode in the 1800 or 1900 MHz bands, consumption figures are lower than in the 850 or 900 MHz band because of the 3GPP Tx power specifications.

Figure 7 illustrates the current consumption profiles in GPRS connected mode, in the 850 or 900 MHz bands, with 4 slots used to transmit and 1 slot used to receive, as for the GPRS multi-slot class 12.



**Figure 7: VCC current consumption profile versus time during a GPRS multi-slot class 12 connection (4 TX slots, 1 RX slot)**

In case of EGPRS (i.e. EDGE) connections, the VCC current consumption profile is very similar to the one during GPRS connections: the current consumption profile in GPRS multi-slot class 12 connected mode illustrated in the Figure 7 is representative for the EDGE multi-slot class 12 connected mode as well.

#### 1.5.1.4 VCC current consumption in low power deep sleep mode (power saving enabled)

The power saving configuration is by default disabled, but it can be enabled using the AT+CPSMS command (see the SARA-R4 series AT Commands Manual [2] and section 1.13.9).

When power saving is enabled, the module automatically enters the PSM low power deep sleep mode whenever possible, reducing current consumption down to a steady value in the  $\mu\text{A}$  range: only the RTC runs with internal 32 kHz reference clock frequency.

Detailed current consumption values can be found in the SARA-R4 series Data Sheet [1].



Due to RTC running during PSM mode, the Cal-RC turns on the crystal every  $\sim 10$  s to calibrate the RC oscillator, as a consequence, a very low spike in current consumption will be observed.

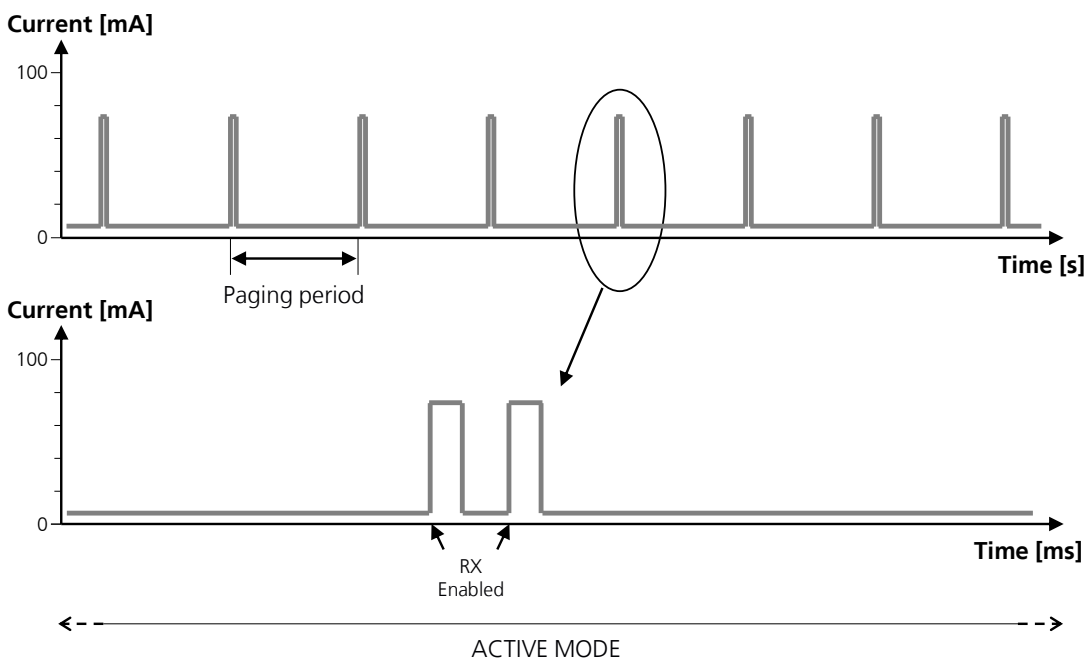
### 1.5.1.5 VCC current consumption in active mode (power saving disabled)

The active mode is the state where the module is switched on and ready to communicate with an external device by means of the application interfaces (as the USB or the UART serial interface). The module processor core is active, and the 19.2 MHz reference clock frequency is used.

If power saving configuration is disabled, as it is by default (see the SARA-R4 series AT Commands Manual [2], +CPSMS AT command for details), the module does not automatically enter the PSM low power deep sleep mode whenever possible: the module remains in active mode. Otherwise, if the power saving configuration is enabled, the module enters PSM low power deep sleep mode whenever possible (see section 1.13.9).

Figure 8 illustrates a typical example of the module current consumption profile when the module is in active mode. In such case, the module is registered with the network and, while active mode is maintained, the receiver is periodically activated to monitor the paging channel for paging block reception.

Detailed current consumption values can be found in the SARA-R4 series Data Sheet [1].



**Figure 8: VCC current consumption profile with power saving disabled and module registered with the network: active mode is always held and the receiver is periodically activated to monitor the paging channel for paging block reception**

## 1.5.2 Generic digital interfaces supply output (V\_INT)

The **V\_INT** output pin of the SARA-R4 series modules is generated by the module internal power management circuitry when the module is switched on and it is not in the deep sleep power saving mode.

The typical operating voltage is 1.8 V, whereas the current capability is specified in the SARA-R4 series Data Sheet [1]. The **V\_INT** voltage domain can be used in place of an external discrete regulator as a reference voltage rail for external components.

## 1.6 System function interfaces

### 1.6.1 Module power-on

When the SARA-R4 series modules are in the not-powered mode (i.e. the **VCC** module supply is not applied), they can be switched on as follows:

- Rising edge on the **VCC** input pins to a valid voltage level, and then a low logic level needs to be set at the **PWR\_ON** input pin for a valid time.

When the SARA-R4 series modules are in the power-off mode (i.e. switched off) or in the PSM low power mode, with a valid **VCC** supply applied, they can be switched on as follows:

- Low pulse on the **PWR\_ON** pin for a valid time period

The **PWR\_ON** input pin is equipped with an internal active pull-up resistor. Detailed electrical characteristics with voltages and timings are described in the SARA-R4 series Data Sheet [1].

Figure 9 shows the module switch-on sequence from the not-powered mode, describing the following phases:

- The external power supply is applied to the **VCC** module pins
- The **PWR\_ON** pin is held low for a valid time
- All the generic digital pins of the module are tri-stated until the switch-on of their supply source (**V\_INT**).
- The internal reset signal is held low: the baseband core and all the digital pins are held in the reset state. When the internal reset signal is released, any digital pin is set in the correct sequence from the reset state to the default operational configured state. The duration of this pins' configuration phase differs within generic digital interfaces and the USB interface due to host / device enumeration timings (see section 1.9.2).
- The module is fully ready to operate after all interfaces are configured.

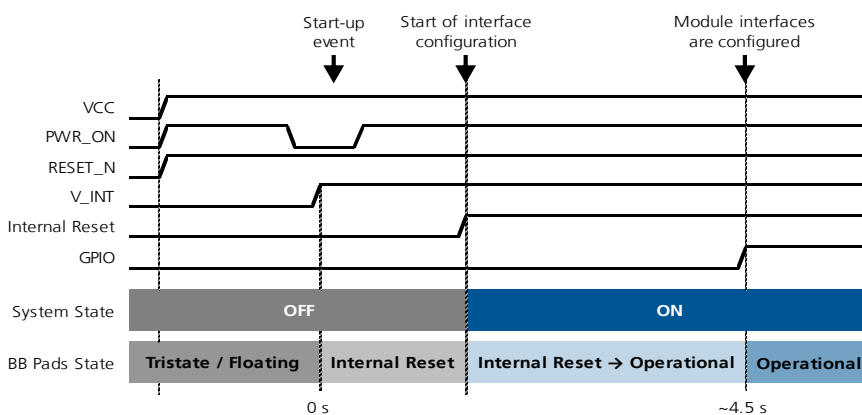


Figure 9: SARA-R4 series switch-on sequence description



The Internal Reset signal is not available on a module pin, but it is recommended to monitor:

- the **V\_INT** pin, to sense the start of the SARA-R4 series module switch-on sequence
- the **GPIO** pin configured to provide the module operating status indication (see the SARA-R4 series AT Commands Manual [2], AT+UGPIOC command), to sense when the module is ready to operate



Before the switch-on of the generic digital interface supply source (**V\_INT**) of the module, no voltage driven by an external application should be applied to any generic digital interface of the module.



Before the SARA-R4 series module is fully ready to operate, the host application processor should not send any AT command over the AT communication interfaces (USB, UART) of the module.



The duration of the SARA-R4 series modules' switch-on routine can vary depending on the application / network settings and the concurrent module activities.

### 1.6.2 Module power-off

SARA-R4 series can be cleanly switched off by:

- AT+CPWROFF command (see the SARA-R4 series AT Commands Manual [2]). The current parameter settings are saved in the module’s non-volatile memory and a clean network detach is performed.
- Low pulse on the **PWR\_ON** pin for a valid time period (see the SARA-R4 series Data Sheet [1]).

An abrupt under-voltage shutdown occurs on SARA-R4 series modules when the **VCC** module supply is removed. If this occurs, it is not possible to perform the storing of the current parameter settings in the module’s non-volatile memory or to perform the clean network detach.



It is highly recommended to avoid an abrupt removal of the **VCC** supply during SARA-R4 series modules normal operations.

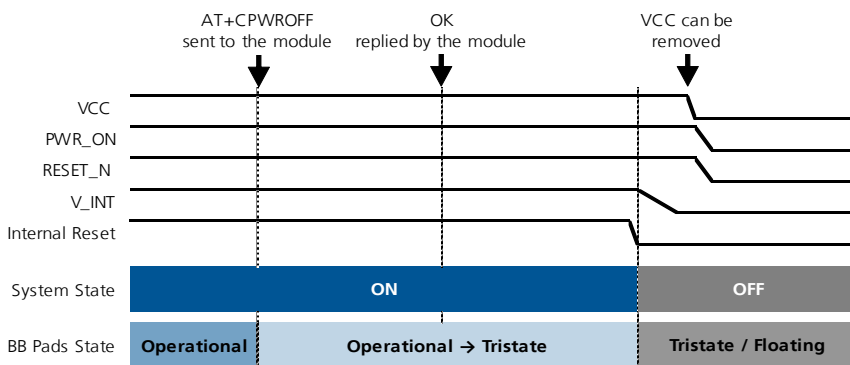
An abrupt hardware shutdown occurs on SARA-R4 series modules when a low level is applied on **RESET\_N** pin. In this case, the current parameter settings are not saved in the module’s non-volatile memory and a clean network detach is not performed.



It is highly recommended to avoid an abrupt hardware shutdown of the module by forcing a low level on the **RESET\_N** input pin during module normal operation: the **RESET\_N** line should be set low only if reset or shutdown via AT commands fails or if the module does not reply to a specific AT command after a time period longer than the one defined in the SARA-R4 series AT Commands Manual [2].

Figure 10 describes the SARA-R4 series modules switch-off sequence started by means of the AT+CPWROFF command, allowing storage of current parameter settings in the module’s non-volatile memory and a clean network detach, with the following phases:

- When the +CPWROFF AT command is sent, the module starts the switch-off routine.
- The module replies OK on the AT interface: the switch-off routine is in progress.
- At the end of the switch-off routine, all the digital pins are tri-stated and all the internal voltage regulators are turned off, including the generic digital interfaces supply (**V\_INT**).
- Then, the module remains in switch-off mode as long as a switch on event does not occur (e.g. applying a low level to **PWR\_ON**), and enters not-powered mode if the supply is removed from the **VCC** pins.



**Figure 10: SARA-R4 series switch-off sequence by means of AT+CPWROFF command**



The Internal Reset signal is not available on a module pin, but it is recommended to monitor the **V\_INT** pin to sense the end of the switch-off sequence: **VCC** supply can be removed only after **V\_INT** goes low.



The duration of each phase in the SARA-R4 series modules’ switch-off routines can largely vary depending on the application / network settings and the concurrent module activities.



Figure 11 describes the SARA-R4 series modules switch-off sequence started by means of the **PWR\_ON** input pin, allowing storage of current parameter settings in the module’s non-volatile memory and a clean network detach, with the following phases:

- A low pulse with appropriate time duration (see the SARA-R4 series Data Sheet [1]) is applied at the **PWR\_ON** input pin.
- At the end of the switch-off routine, all the digital pins are tri-stated and all the internal voltage regulators are turned off, including the generic digital interfaces supply (**V\_INT**).
- Then, the module remains in power-off mode as long as a switch on event does not occur (e.g. applying an appropriate low level to the **PWR\_ON** input), and enters not-powered mode if the **VCC** supply is removed.

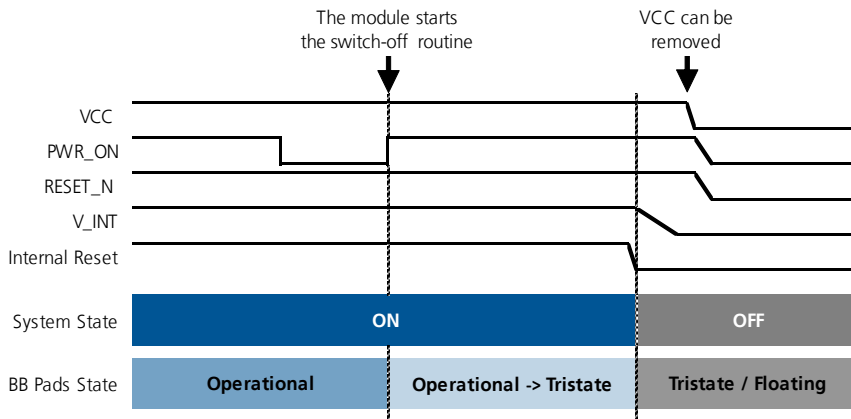


Figure 11: SARA-R4 series switch-off sequence by means of PWR\_ON pin



The Internal Reset signal is not available on a module pin, but it is recommended to monitor the **V\_INT** pin to sense the end of the switch-off sequence: **VCC** supply can be removed only after **V\_INT** goes low.



The duration of each phase in the SARA-R4 series modules’ switch-off routines can largely vary depending on the application / network settings and the concurrent module activities.

### 1.6.3 Module reset

SARA-R4 series modules can be cleanly reset (rebooted) by:

- AT+CFUN command (see the SARA-R4 series AT Commands Manual [2]).

In the case listed above an “internal” or “software” reset of the module is executed: the current parameter settings are saved in the module’s non-volatile memory and a clean network detach is performed.

An abrupt hardware shutdown occurs on SARA-R4 series modules when a low level is applied on **RESET\_N** input pin for a valid time period. In this case, the current parameter settings are not saved in the module’s non-volatile memory and a clean network detach is not performed. Then, the module remains in power-off mode as long as a switch on event does not occur applying an appropriate low level to the **PWR\_ON** input.



It is highly recommended to avoid an abrupt hardware shutdown of the module by forcing a low level on the **RESET\_N** input during modules normal operation: the **RESET\_N** line should be set low only if reset or shutdown via AT commands fails or if the module does not provide a reply to a specific AT command after a time period longer than the one defined in the SARA-R4 series AT Commands Manual [2].

The **RESET\_N** input pin is equipped with an internal pull-up to a 1.8 V supply domain. Detailed electrical characteristics with voltages and timings are described in the SARA-R4 series Data Sheet [1].

## 1.7 Antenna interface


### 1.7.1 Antenna RF interface (ANT)

SARA-R4 series modules provide an RF interface for connecting the external antenna. The **ANT** pin represents the primary RF input/output for transmission and reception of LTE RF signals.

The **ANT** pin has a nominal characteristic impedance of 50  $\Omega$  and must be connected to the primary Tx / Rx antenna through a 50  $\Omega$  transmission line to allow clear RF transmission and reception.

#### 1.7.1.1 Antenna RF interfaces requirements

Table 7 summarizes the requirements for the antenna RF interface. See section 2.4.1 for suggestions to correctly design antennas circuits compliant with these requirements.

 **The antenna circuits affect the RF compliance of the device integrating SARA-R4 series modules with applicable required certification schemes (for more details see section 4). Compliance is guaranteed if the antenna RF interface requirements summarized in Table 7 are fulfilled.**

Item	Requirements	Remarks
<b>Impedance</b>	50 $\Omega$ nominal characteristic impedance	The impedance of the antenna RF connection must match the 50 $\Omega$ impedance of the <b>ANT</b> port.
<b>Frequency Range</b>	See the SARA-R4 series Data Sheet [1]	The required frequency range of the antenna connected to <b>ANT</b> port depends on the operating bands of the used cellular module and the used mobile network.
<b>Return Loss</b>	$S_{11} < -10$ dB (VSWR < 2:1) recommended $S_{11} < -6$ dB (VSWR < 3:1) acceptable	The Return loss or the $S_{11}$ , as the VSWR, refers to the amount of reflected power, measuring how well the antenna RF connection matches the 50 $\Omega$ characteristic impedance of the <b>ANT</b> port. The impedance of the antenna termination must match as much as possible the 50 $\Omega$ nominal impedance of the <b>ANT</b> port over the operating frequency range, reducing as much as possible the amount of reflected power.
<b>Efficiency</b>	> -1.5 dB (> 70% ) recommended > -3.0 dB (> 50% ) acceptable	The radiation efficiency is the ratio of the radiated power to the power delivered to antenna input: the efficiency is a measure of how well an antenna receives or transmits. The radiation efficiency of the antenna connected to the <b>ANT</b> port needs to be enough high over the operating frequency range to comply with the Over-The-Air (OTA) radiated performance requirements, as Total Radiated Power (TRP) and the Total Isotropic Sensitivity (TIS), specified by applicable related certification schemes.
<b>Maximum Gain</b>	According to radiation exposure limits	The power gain of an antenna is the radiation efficiency multiplied by the directivity: the gain describes how much power is transmitted in the direction of peak radiation to that of an isotropic source. The maximum gain of the antenna connected to <b>ANT</b> port must not exceed the herein stated value to comply with regulatory agencies radiation exposure limits. For additional info see sections 4.2.2.
<b>Input Power</b>	> 24 dBm (> 0.25 W ) for R404M / R410M > 33 dBm (> 2.0 W ) for R412M	The antenna connected to the <b>ANT</b> port must support with adequate margin the maximum power transmitted by the modules.

**Table 7: Summary of Tx/Rx antenna RF interface requirements**

## 1.7.2 Antenna detection interface (ANT\_DET)

The antenna detection is based on ADC measurement. The **ANT\_DET** pin is an Analog to Digital Converter (ADC) provided to sense the antenna presence.

The antenna detection function provided by **ANT\_DET** pin is an optional feature that can be implemented if the application requires it. The antenna detection is forced by the +UANTR AT command. See the SARA-R4 series AT Commands Manual [2] for more details on this feature.

The **ANT\_DET** pin generates a DC current (for detailed characteristics see the SARA-R4 series Data Sheet [1]) and measures the resulting DC voltage, thus determining the resistance from the antenna connector provided on the application board to GND. So, the requirements to achieve antenna detection functionality are the following:

- an RF antenna assembly with a built-in resistor (diagnostic circuit) must be used
- an antenna detection circuit must be implemented on the application board

See section 2.4.2 for antenna detection circuit on application board and diagnostic circuit on antenna assembly design-in guidelines.

## 1.8 SIM interface

### 1.8.1 SIM interface

SARA-R4 series modules provide high-speed SIM/ME interface including automatic detection and configuration of the voltage required by the connected SIM card or chip.

Both 1.8 V and 3 V SIM types are supported. Activation and deactivation with automatic voltage switch from 1.8 V to 3 V are implemented, according to ISO-IEC 7816-3 specifications. The **VSIM** supply output provides internal short circuit protection to limit start-up current and protect the SIM to short circuits.

The SIM driver supports the PPS (Protocol and Parameter Selection) procedure for baud-rate selection, according to the values determined by the SIM card or chip.

### 1.8.2 SIM detection interface

The **GPIO5** pin is configured as an external interrupt to detect the SIM card mechanical / physical presence. The pin is configured as input with an internal active pull-down enabled, and it can sense SIM card presence only if cleanly connected to the mechanical switch of a SIM card holder as described in section 2.5:

- Low logic level at **GPIO5** input pin is recognized as SIM card not present
- High logic level at **GPIO5** input pin is recognized as SIM card present

For more details, see the SARA-R4 series AT Commands Manual [2], +UGPIOC, +CIND and +CMER AT commands.

## 1.9 Data communication interfaces

SARA-R4 series modules provide the following serial communication interface:

- UART interface: Universal Asynchronous Receiver/Transmitter serial interface available for the communication with a host application processor (AT commands, data, FW update by means of FOAT). See section 1.9.1.
- USB interface: Universal Serial Bus 2.0 compliant interface available for the communication with a host application processor (AT commands, data, FW update by means of the FOAT feature), for FW update by means of the u-blox dedicated tool and for diagnostics. See section 1.9.2.
- SPI interface: Serial Peripheral Interface available for communication with an external compatible device. See section 1.9.3.
- SDIO interface: Secure Digital Input Output interface available for communication with a compatible device. See section 1.9.4.
- DDC interface: I<sup>2</sup>C bus compatible interface available for the communication with u-blox GNSS positioning chips or modules and with external I<sup>2</sup>C devices. See section 1.9.5.

### 1.9.1 UART interface

#### 1.9.1.1 UART features

The UART interface is a 9-wire 1.8 V unbalanced asynchronous serial interface available on all the SARA-R4 series modules, supporting:

- AT command mode<sup>3</sup>
- Data mode and Online command mode<sup>3</sup>
- Multiplexer protocol functionality
- FW upgrades by means of the FOAT feature (see 1.13.7)



The UART is available only if the USB is not enabled as AT command / data communication interface: UART and USB cannot be concurrently used for this purpose.

UART interface provides RS-232 functionality conforming to the ITU-T V.24 Recommendation [5], with CMOS compatible signal levels: 0 V for low data bit or ON state, and 1.8 V for high data bit or OFF state (for detailed electrical characteristics see the SARA-R4 series Data Sheet [1]), providing:

- data lines (**RXD** as output, **TXD** as input)
- hardware flow control lines (**CTS** as output, **RTS** as input)
- modem status and control lines (**DTR** as input, **DSR** as output, **DCD** as output, **RI** as output)

SARA-R4 series modules are designed to operate as cellular modems, i.e. as the data circuit-terminating equipment (DCE) according to the ITU-T V.24 Recommendation [5]. A host application processor connected to the module through the UART interface represents the data terminal equipment (DTE).



UART signal names of the cellular modules conform to the ITU-T V.24 Recommendation [5]: e.g. **TXD** line represents data transmitted by the DTE (host processor output) and received by the DCE (module input).



Hardware flow control is not supported by the "00", "01" and SARA-R410M-02B product versions, but the **RTS** input line of the module must be set low (= ON state) to communicate over UART interface on the "00" and "01" product versions.



**DTR** input of the module must be set low (= ON state) to have URCs presented over UART interface.

<sup>3</sup> For the definition of the interface data mode, command mode and online command mode see SARA-R4 series AT Commands Manual [1]

SARA-R4 series modules' UART interface is by default configured in AT command mode, if the USB interface is not enabled as AT command / data communication interface (UART and USB cannot be concurrently used for this purpose): the module waits for AT command instructions and interprets all the characters received as commands to execute. All the functionalities supported by SARA-R4 series modules can be in general set and configured by AT commands:

- AT commands according to 3GPP TS 27.007 [6], 3GPP TS 27.005 [7], 3GPP TS 27.010 [8]
- u-blox AT commands (for the complete list and syntax see the SARA-R4 series AT Commands Manual [2])

The default baud rate is 115200 b/s, while the default frame format is 8N1 (8 data bits, No parity, 1 stop bit: see Figure 12). Baud rates can be configured by AT command (see the SARA-R4 series AT Commands Manual [2]).



The automatic baud rate detection and the automatic frame format recognition are not supported.

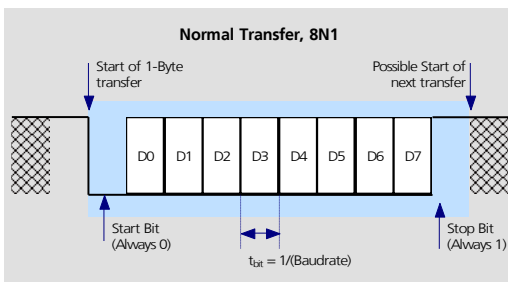


Figure 12: Description of UART 8N1 frame format (8 data bits, no parity, 1 stop bit)

### 1.9.1.2 UART signals behavior

At the end of the module boot sequence (see Figure 9), the module is by default in active mode, and the UART interface is initialized and enabled as AT commands interface only if the USB interface is not enabled as AT command / data communication interface: UART and USB cannot be concurrently used for this purpose.

The configuration and the behavior of the UART signals after the boot sequence are described below:

- The module data output line (**RXD**) is set by default to the OFF state (high level) at UART initialization. The module holds **RXD** in the OFF state until the module transmits some data.
- The module data input line (**TXD**) is assumed to be controlled by the external host once UART is initialized and if UART is used in the application. The **TXD** data input line has an internal active pull-down enabled on the "00" and "02" product versions, and an internal active pull-up enabled on the "01" product version.

### UART multiplexer protocol

SARA-R4 series modules include multiplexer functionality as per 3GPP TS 27.010 [8], on the UART physical link.

This is a data link protocol which uses HDLC-like framing and operates between the module (DCE) and the application processor (DTE) and allows a number of simultaneous sessions over the used physical link (UART).

The following virtual channels are defined:

- Channel 0: for Multiplexer control
- Channel 1: for all AT commands, and non-Dial Up Network (non-DUN) data connections. UDP, TCP data socket / data call connections via relevant AT commands.
- Channel 2: for Dial Up Network (DUN) data connection. It requires the host to have and use its own TCP/IP stack. The DUN can be initiated on the modem side or terminal/host side.
- Channel 3: for u-blox GNSS data tunneling (not supported by the "00" and "01" product versions).

## 1.9.2 USB interface

### 1.9.2.1 USB features

SARA-R4 series modules include a High-Speed USB 2.0 compliant interface with 480 Mb/s maximum data rate, representing the main interface for transferring high speed data with a host application processor, supporting:

- AT command mode<sup>4</sup>
- Data mode and Online command mode<sup>4</sup>
- FW upgrades by means of the FOAT feature (see 1.13.7)
- FW upgrades by means of the u-blox dedicated tool
- Trace log capture (diagnostic purposes)

The module itself acts as a USB device and can be connected to a USB host such as a Personal Computer or an embedded application microprocessor equipped with compatible drivers.

The **USB\_D+/USB\_D-** lines carry USB serial bus data and signaling according to the Universal Serial Bus Revision 2.0 specification [4], while the **VUSB\_DET** input pin senses the VBUS USB supply presence (nominally 5 V at the source) to detect the host connection and enable the interface. Neither the USB interface, nor the whole module is supplied by the **VUSB\_DET** input, which senses the USB supply voltage and absorbs few microamperes.



The USB interface is available as AT command / data communication interface only if an external valid USB VBUS supply voltage (5.0 V typical) is applied at the **VUSB\_DET** input of the module since the switch-on of the module, and then held during normal operations. In this case, the UART will be not available.



If the USB interface is enabled, the module does not enter the low power deep sleep mode: the external USB VBUS supply voltage needs to be removed from the **VUSB\_DET** input of the module to let it enter the Power Saving Mode defined in 3GPP Rel.13.

The USB interface is controlled and operated with:

- AT commands according to 3GPP TS 27.007 [6], 3GPP TS 27.005 [7]
- u-blox AT commands (for the complete list and syntax see the SARA-R4 series AT Commands Manual [2])

The USB interface of SARA-R4 series modules can provide the following USB functions:

- AT commands and data communication
- Diagnostic log

The USB profile of SARA-R4 series modules identifies itself by the following VID (Vendor ID) and PID (Product ID) combination, included in the USB device descriptor according to the USB 2.0 specifications [4].

- VID = 0x05C6
- PID = 0x90B2

<sup>4</sup> For the definition of the interface data mode, command mode and online command mode see SARA-R4 series AT Commands Manual [2]

### 1.9.3 SPI interface



The SPI interface is not supported by “00”, “01” and “02” product versions: the SPI interface pins should not be driven by any external device.

SARA-R4 series modules include a Serial Peripheral Interface for communication with compatible external device. The SPI interface can be made available as alternative function, in mutually exclusive way, over the digital audio interface pins (**I2S\_WA / SPI\_MOSI, I2S\_RXD / SPI\_MISO, I2S\_CLK / SPI\_CLK, I2S\_TXD / SPI\_CS**).

### 1.9.4 SDIO interface



The SDIO interface is not supported by “00”, “01” and “02” product versions: the SDIO interface pins should not be driven by any external device.

SARA-R4 series modules include a 4-bit Secure Digital Input Output interface (**SDIO\_D0, SDIO\_D1, SDIO\_D2, SDIO\_D3, SDIO\_CLK, SDIO\_CMD**) designed to communicate with external compatible SDIO devices.

### 1.9.5 DDC (I<sup>2</sup>C) interface



The I<sup>2</sup>C interface is not supported by “00” and “01” product versions: the I<sup>2</sup>C interface pins should not be driven by any external device.

SARA-R4 series modules include an I<sup>2</sup>C-bus compatible DDC interface (**SDA, SCL**) available to communicate with a u-blox GNSS receiver and with external I<sup>2</sup>C devices as an audio codec: the SARA-R4 module acts as an I<sup>2</sup>C master which can communicate with I<sup>2</sup>C slaves in accordance with the I<sup>2</sup>C bus specifications [9].

The **SDA** and **SCL** pins have internal pull-up to **V\_INT**, so there is no need of additional pull-up resistors on the external application board.

## 1.10 Audio



Audio is not supported by “00”, “01” and “02” product versions: the I<sup>2</sup>S interface pins should not be driven by any external device.

SARA-R4 series modules support VoLTE (Voice over LTE Cat M1 radio bearer) for providing audio services.

SARA-R4 series modules include an I<sup>2</sup>S digital audio interface to transfer digital audio data to/from an external compatible audio device.

The digital audio interface can be made available as alternative function, in mutually exclusive way, over the SPI interface pins (**I2S\_WA / SPI\_MOSI, I2S\_RXD / SPI\_MISO, I2S\_CLK / SPI\_CLK, I2S\_TXD / SPI\_CS**).

## 1.11 General Purpose Input/Output

SARA-R4 series modules include six pins (**GPIO1-GPIO6**) which can be configured as General Purpose Input/Output or to provide custom functions via u-blox AT commands (for more details see the SARA-R4 series AT Commands Manual [2], +UGPIOC, +UGPIOR, +UGPIOW AT commands), as summarized in Table 8.

Function	Description	Default GPIO	Configurable GPIOs
Network status indication	Network status: registered / data transmission, no service	--	GPIO1
GNSS supply enable <sup>5</sup>	Enable/disable the supply of a u-blox GNSS receiver connected to the cellular module by the DDC (I2C) interface	--	GPIO2
GNSS data ready <sup>5</sup>	Sense when a u-blox GNSS receiver connected to the module is ready for sending data by the DDC (I2C) interface	--	GPIO3
SIM card detection	SIM card physical presence detection	--	GPIO5
Module status indication	Module switched off or in PSM low power deep sleep mode, versus active or connected mode	--	GPIO1, GPIO2, GPIO3, GPIO4, GPIO5, GPIO6
General purpose input	Input to sense high or low digital level	--	GPIO1, GPIO2, GPIO3, GPIO4, GPIO5, GPIO6
General purpose output	Output to set the high or the low digital level	--	GPIO1, GPIO2, GPIO3, GPIO4, GPIO6
Pin disabled	Tri-state with an internal active pull-down enabled	GPIO1, GPIO2, GPIO3, GPIO4, GPIO5, GPIO6	GPIO1, GPIO2, GPIO3, GPIO4, GPIO5, GPIO6

**Table 8: SARA-R4 series GPIO custom functions configuration**

## 1.12 Reserved pins (RSVD)

SARA-R4 series modules have pins reserved for future use, marked as **RSVD**.

All the **RSVD** pins are to be left unconnected on the application board, except for the **RSVD** pin number **33** that can be externally connected to ground.

<sup>5</sup> Not supported by "00" and "01" product versions



## 1.13 System features

### 1.13.1 Network indication

GPIOs can be configured by the AT command to indicate network status (for further details see section 1.11 and the SARA-R4 series AT Commands Manual [2]):

- No service (no network coverage or not registered)
- Registered / Data call enabled (RF data transmission / reception)

### 1.13.2 Antenna supervisor

The antenna detection function provided by the **ANT\_DET** pin is based on an ADC measurement as optional feature that can be implemented if the application requires it. The antenna supervisor is forced by the +UANTR AT command (see the SARA-R4 series AT Commands Manual [2] for more details).

The requirements to achieve antenna detection functionality are the following:

- an RF antenna assembly with a built-in resistor (diagnostic circuit) must be used
- an antenna detection circuit must be implemented on the application board

See section 1.7.2 for detailed antenna detection interface functional description and see section 2.4.2 for detection circuit on application board and diagnostic circuit on antenna assembly design-in guidelines.

### 1.13.3 Dual stack IPv4/IPv6

SARA-R4 series support both Internet Protocol version 4 and Internet Protocol version 6 in parallel.

For more details about dual stack IPv4/IPv6 see the SARA-R4 series AT Commands Manual [2].

### 1.13.4 TCP/IP and UDP/IP

SARA-R4 series modules provide embedded TCP/IP and UDP/IP protocol stack: a PDP context can be configured established and handled via the data connection management packet switched data commands.

SARA-R4 series modules provide Direct Link mode to establish a transparent end-to-end communication with an already connected TCP or UDP socket via serial interfaces (USB, UART). In Direct Link mode, data sent to the serial interface from an external application processor is forwarded to the network and vice-versa.

For more details on embedded TCP/IP and UDP/IP functionalities, see SARA-R4 series AT Commands Manual [2].

### 1.13.5 FTP

SARA-R4 series provide embedded File Transfer Protocol (FTP) services. Files are read and stored in the local file system of the module.

FTP files can also be transferred using FTP Direct Link:

- **FTP download:** data coming from the FTP server is forwarded to the host processor via USB / UART serial interfaces (for FTP without Direct Link mode the data is always stored in the module's flash file system)
- **FTP upload:** data coming from the host processor via USB / UART serial interface is forwarded to the FTP server (for FTP without Direct Link mode the data is read from the module's flash file system)

When Direct Link is used for an FTP file transfer, only the file contents passes through USB / UART serial interface, whereas all the FTP command handling is managed internally by the FTP application.

For more details about embedded FTP functionalities, see the SARA-R4 series AT Commands Manual [2].

### 1.13.6 HTTP

SARA-R4 series modules provide the embedded Hypertext Transfer Protocol (HTTP) services via AT commands for sending requests to a remote HTTP server, receiving the server response and transparently storing it in the module's flash file system. For more details, see the SARA-R4 series AT Commands Manual [2].

### Firmware update Over AT (FOAT)

This feature allows upgrading of the module firmware over the AT interface, using AT commands.

The +UFWUPD AT command enables a code download to the device from the host via the Xmodem protocol.

The +UFWINSTALL AT command then triggers a reboot, and upon reboot initiates a firmware installation on the device via a special boot loader on the module. The bootloader first authenticates the downloaded image, then installs it, and then reboots the module.

Firmware authenticity verification is performed via a security signature. The firmware is then installed, overwriting the current version. In case of power loss during this phase, the boot loader detects a fault at the next wake-up, and restarts the firmware installation. After completing the upgrade, the module is reset again and wakes-up in normal boot.

For more details about Firmware update Over AT procedure, see the SARA-R4 series AT Commands Manual [2], +UFWUPD AT command.

### 1.13.8 Firmware update Over The Air (uFOTA)

This feature allows upgrading the module firmware over the air interface, based on u-blox client/server solution (uFOTA), using LWM2M.

For more details about firmware update over-the-air procedure, see the SARA-R4 series AT Commands Manual [2].

### 1.13.9 Power saving

#### 1.13.9.1 Guidelines to optimize power consumption

The LTE Cat M1 / NB1 technology is mainly intended for applications that only require a small amount of data exchange per day (i.e. a few bytes in uplink and downlink per day). Depending on the application type, the battery may be required to last for a few years. For these reasons, the whole application board should be optimized in terms of current consumption and should carefully take into account the following aspects:

- Enable the power saving mode configuration using the AT+CPSMS command (for the complete description of the AT+CPSMS command, see the SARA-R4 series AT Commands Manual [2]).
- Use the UART interface instead of the USB interface as a serial communication interface, because the current consumption of the module is ~20 mA higher when the USB interface is enabled.
- Use an application processor with a UART interface working at the same voltage level (1.8 V) as the module. In this way it is possible to avoid voltage translators, which helps to minimize current leakage.
- If the USB interface is implemented in the design, remove the external USB VBUS voltage from the **VUSB\_DET** input when serial communication is not necessary, letting the module enter the Power Saving Mode defined in 3GPP Rel.13: the module does not enter the deep sleep power saving mode if the USB interface is enabled.
- Minimize current leakage on the power supply line.
- Optimize the antenna matching, since a mismatched antenna leads to higher current consumption.
- Monitor **V\_INT** level to sense when the module enters power-off mode or deep sleep power saving mode.
- Disconnect the **VCC** supply source from the module when it is switched off (see 2.2.1.9).
- Disconnect the **VCC** supply source from the module during deep sleep power saving mode (see 2.2.1.9): using a host application processor equipped with a RTC, the module can execute a standard PSM procedure and

store the NAS protocol context in non-volatile memory, and then rely on the host application processor for running its RTC and triggering wake-up upon need<sup>6</sup>.

### 1.13.9.2 Functionality

When power saving is enabled using the AT+CPSMS command, the module automatically enters the low power deep sleep mode whenever possible, reducing current consumption (see the section 1.5.1.4 and the SARA-R4 series Data Sheet [1]).

For the definition and the description of the SARA-R4 series operating modes, including the events forcing transitions between the different operating modes, see section 1.4.

The SARA-R4 series modules achieve the low power deep sleep mode by powering down all the Hardware components with the exception of the 32 kHz reference internally generated.



From the host application point of view, the serial port will not be available during low power deep sleep mode, as the SARA-R4 module will act as if the SARA-R4 module is in Power-Off mode.

### 1.13.9.3 Timers and network interaction

The SARA-R4 series modules goes in low power deep sleep mode entering in the Power Saving Mode (PSM) defined in 3GPP Release 13.

Two timers have been specified on the PSM Signaling: the “Periodic Update Timer” and “Active Timer”.

The “Active Timer” is the time defined by the network where the SARA-R4 series module will keep listening for any active operation, during this time the SARA-R4 series module is in Active mode.

The “Periodic Update Timer” is the Extended Tracking Area Update (TAU) used by the SARA-R4 series module to periodically notify the network of its availability.

The SARA-R4 series module requests the PSM by including the “Active Timer” with the desired value in the Attach, TAU or Routing Area Update (RAU) messages. The “Active Timer” is the time the module listens to the Paging Channel after having transitioned from connected to active mode. When the “Active Timer” expires, the module enters PSM low power deep sleep mode.

SARA-R4 series module can also request an extended “Periodic Update Timer” value to remain in PSM low power deep sleep mode for longer than the original “Periodic Update Timer” broadcasted by the network.

The grant of PSM is a negotiation between SARA-R4 series module and the attached network: the network accepts PSM by providing the actual value of the “Active Timer” (and “Periodic Update Timer”) to be used in the Attach/TAU/RAU accept procedure. The maximum duration, including the “Periodic Update Timer”, is about 413 days. The SARA-R4 series module enters PSM low power deep sleep mode only after the “Active Timer” expires.

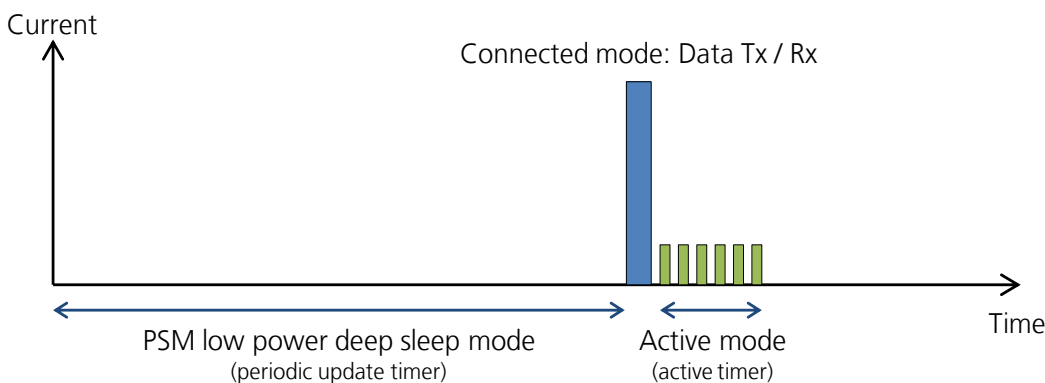


Figure 13: Description of the PSM timing

<sup>6</sup> The use of an external RTC during deep sleep power saving mode is not supported by the “00”, “01” and “02” product versions

#### 1.13.9.4 Timers and AT interaction

The SARA-R4 series modules goes in low power deep sleep mode entering in the Power Saving Mode (PSM) only after the 6 s “AT Inactivity Timer” expires:

- If the UART interface is used, the host application has to stop sending AT commands for 6 s, consisting in the “AT Inactivity Timer” expiration, therefore allowing the module enter deep sleep power saving mode according to “Active Timer” expiration
- If the USB interface is enabled, the module does not enter the deep sleep power saving mode

#### 1.13.9.5 AT commands

The module uses the +CPSMS AT command with its defined parameters to request PSM timers to the network.



See the SARA-R4 series AT Commands Manual [2] for details of the +CPSMS operation and features.

#### 1.13.9.6 Host application

The PSM low power deep sleep mode implementation allows the SARA-R4 series module to help extend the battery life of the application.

The Host Application should be aware that the SARA-R4 series module is PSM-capable.



The host application needs to sense the **V\_INT** supply output of the module to get the notification when the module has entered into PSM low power deep sleep mode.



If the host application receives an event that needs to be reported by the SARA-R4 series module interrupting the PSM low power deep sleep mode, it can be done so by setting the module into Active mode using the appropriate power-on event (see 1.6.1).



From the host application point of view, the SARA-R4 module will look as it is in Power-Off mode.

#### 1.13.9.7 Normal operation

The Host Application can force the SARA-R4 series module to transition from PSM low power deep sleep mode to Active mode by using the Power-Up procedure specified in section 1.6.1.



Be aware that when the host application transitions from low power deep sleep mode to active mode, it will cause the SARA-R4 series module to consume the same amount of power as in active mode, thereby shortening the battery life of the host application.

## 2 Design-in

### 2.1 Overview

For an optimal integration of the SARA-R4 series modules in the final application board, follow the design guidelines stated in this section.

Every application circuit must be suitably designed to guarantee the correct functionality of the relative interface, but a number of points require particular attention during the design of the application device.

The following list provides a rank of importance in the application design, starting from the highest relevance:

1. Module antenna connection: **ANT** and **ANT\_DET** pins.  
Antenna circuit directly affects the RF compliance of the device integrating a SARA-R4 series module with applicable certification schemes. Follow the suggestions provided in the relative section 2.4 for the schematic and layout design.
2. Module supply: **VCC** and **GND** pins.  
The supply circuit affects the RF compliance of the device integrating a SARA-R4 series module with the applicable required certification schemes as well as the antenna circuit design. Very carefully follow the suggestions provided in the relative section 2.2.1 for the schematic and layout design.
3. USB interface: **USB\_D+**, **USB\_D-** and **VUSB\_DET** pins.  
Accurate design is required to guarantee USB 2.0 high-speed interface functionality. Carefully follow the suggestions provided in the relative section 2.6.2 for the schematic and layout design.
4. SIM interface: **VSIM**, **SIM\_CLK**, **SIM\_IO**, **SIM\_RST** pins.  
Accurate design is required to guarantee SIM card functionality reducing the risk of RF coupling. Carefully follow the suggestions provided in the relative section 2.5 for the schematic and layout design.
5. System functions: **RESET\_N** and **PWR\_ON** pins.  
Accurate design is required to guarantee that the voltage level is well defined during operation. Carefully follow the suggestions provided in the relative section 2.3 for the schematic and layout design.
6. Other digital interfaces: UART, SPI, SDIO, I<sup>2</sup>C, I<sup>2</sup>S, GPIOs and reserved pins.  
Accurate design is required to guarantee correct functionality and reduce the risk of digital data frequency harmonics coupling. Follow the suggestions provided in sections 2.6.1, 2.6.2, 2.6.3, 2.6.4, 2.6.5, 2.7, 2.8 and 2.9 for the schematic and layout design.
7. Other supplies: **V\_INT** generic digital interfaces supply.  
Accurate design is required to guarantee correct functionality. Follow the suggestions provided in the corresponding section 2.2.2 for the schematic and layout design.



It is recommended to follow the specific design guidelines provided by each manufacturer of any external part selected for the application board integrating the u-blox cellular modules.

## 2.2 Supply interfaces

### 2.2.1 Module supply (VCC)

#### 2.2.1.1 General guidelines for VCC supply circuit selection and design

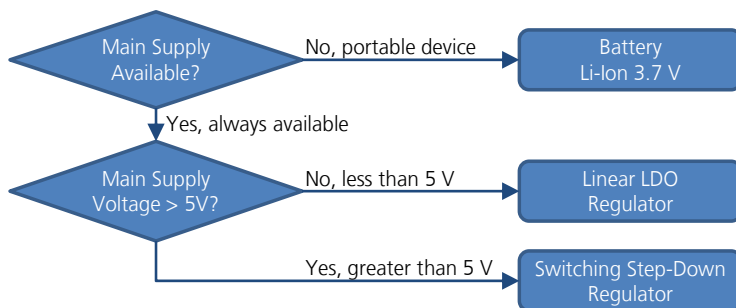
All the available **VCC** pins have to be connected to the external supply minimizing the power loss due to series resistance.

**GND** pins are internally connected. Application design shall connect all the available pads to solid ground on the application board, since a good (low impedance) connection to external ground can minimize power loss and improve RF and thermal performance.

SARA-R4 series modules must be sourced through the **VCC** pins with a suitable DC power supply that should meet the following prerequisites to comply with the modules' **VCC** requirements summarized in Table 6.

The appropriate DC power supply can be selected according to the application requirements (see Figure 14) between the different possible supply sources types, which most common ones are the following:

- Switching regulator
- Low Drop-Out (LDO) linear regulator
- Rechargeable Lithium-ion (Li-Ion) or Lithium-ion polymer (Li-Pol) battery
- Primary (disposable) battery



**Figure 14: VCC supply concept selection**

The switching step-down regulator is the typical choice when the available primary supply source has a nominal voltage much higher (e.g. greater than 5 V) than the operating supply voltage of SARA-R4 series. The use of switching step-down provides the best power efficiency for the overall application and minimizes current drawn from the main supply source. See section 2.2.1.2 for specific design-in.

The use of an LDO linear regulator becomes convenient for a primary supply with a relatively low voltage (e.g. less or equal than 5 V). In this case, the typical 90% efficiency of the switching regulator diminishes the benefit of voltage step-down and no true advantage is gained in input current savings. On the opposite side, linear regulators are not recommended for high voltage step-down as they dissipate a considerable amount of energy in thermal power. See section 2.2.1.3 for specific design-in.

If SARA-R4 series modules are deployed in a mobile unit where no permanent primary supply source is available, then a battery will be required to provide **VCC**. A standard 3-cell Li-Ion or Li-Pol battery pack directly connected to **VCC** is the usual choice for battery-powered devices. During charging, batteries with Ni-MH chemistry typically reach a maximum voltage that is above the maximum rating for **VCC**, and should therefore be avoided. See sections 2.2.1.4, 2.2.1.5, 2.2.1.6 and 2.2.1.7 for specific design-in.

Keep in mind that the use of rechargeable batteries requires the implementation of a suitable charger circuit, which is not included in the modules. The charger circuit needs to be designed to prevent over-voltage on **VCC** pins, and it should be selected according to the application requirements. A DC/DC switching charger is the typical choice when the charging source has a high nominal voltage (e.g. ~12 V), whereas a linear charger is the typical choice when the charging source has a relatively low nominal voltage (~5 V). If both a permanent primary supply

/ charging source (e.g. ~12 V) and a rechargeable back-up battery (e.g. 3.7 V Li-Pol) are available at the same time as possible supply source, then a suitable charger / regulator with integrated power path management function can be selected to supply the module while simultaneously and independently charging the battery. See sections 2.2.1.6 and 2.2.1.7 for specific design-in.

An appropriate primary (not rechargeable) battery can be selected taking into account the maximum current specified in the SARA-R4 series Data Sheet [1] during connected mode, considering that primary cells might have weak power capability. See section 2.2.1.5 for specific design-in.

The usage of more than one DC supply at the same time should be carefully evaluated: depending on the supply source characteristics, different DC supply systems can result as mutually exclusive.

The selected regulator or battery must be able to support with adequate margin the highest averaged current consumption value specified in the SARA-R4 series Data Sheet [1].

The following sections highlight some design aspects for each of the supplies listed above providing application circuit design-in compliant with the module **VCC** requirements summarized in Table 6.

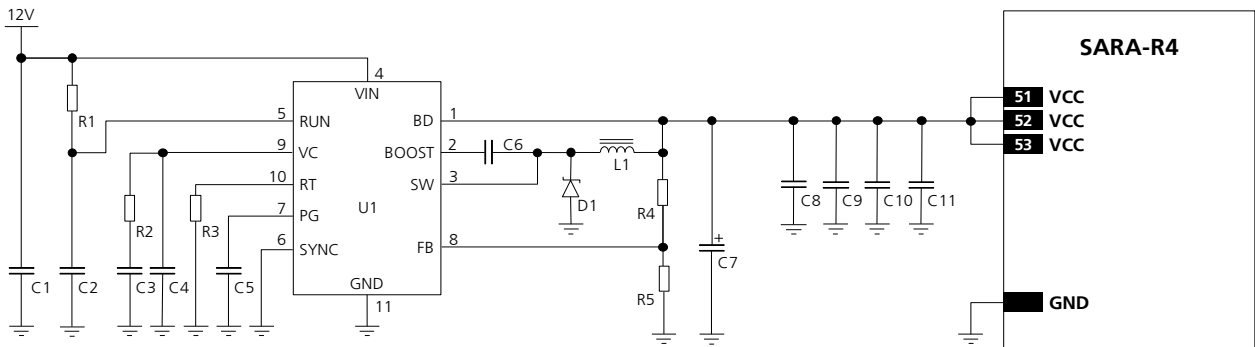
### 2.2.1.2 Guidelines for VCC supply circuit design using a switching regulator

The use of a switching regulator is suggested when the difference from the available supply rail source to the **VCC** value is high, since switching regulators provide good efficiency transforming a 12 V or greater voltage supply to the typical 3.8 V value of the **VCC** supply.

The characteristics of the switching regulator connected to **VCC** pins should meet the following prerequisites to comply with the module **VCC** requirements summarized in Table 6:

- **Power capability:** the switching regulator with its output circuit must be capable of providing a voltage value to the **VCC** pins within the specified operating range and must be capable of delivering to **VCC** pins the maximum current consumption occurring during transmissions at the maximum power, as specified in the SARA-R4 series Data Sheet [1].
- **Low output ripple:** the switching regulator together with its output circuit must be capable of providing a clean (low noise) **VCC** voltage profile.
- **High switching frequency:** for best performance and for smaller applications it is recommended to select a switching frequency  $\geq 600$  kHz (since L-C output filter is typically smaller for high switching frequency). The use of a switching regulator with a variable switching frequency or with a switching frequency lower than 600 kHz must be carefully evaluated since this can produce noise in the **VCC** voltage profile and therefore negatively impact the LTE modulation spectrum performance.
- **PWM mode operation:** it is preferable to select regulators with Pulse Width Modulation (PWM) mode. While in connected mode, the Pulse Frequency Modulation (PFM) mode and PFM/PWM modes transitions must be avoided to reduce noise on **VCC** voltage profile. Switching regulators can be used that are able to switch between low ripple PWM mode and high ripple PFM mode, provided that the mode transition occurs when the module changes status from the active mode to connected mode. It is permissible to use a regulator that switches from the PWM mode to the burst or PFM mode at an appropriate current threshold.

Figure 15 and the components listed in Table 9 show an example of a high reliability power supply circuit for the SARA-R412M modules that support 2G radio access technology. This circuit is also suitable for the other SARA-R4 series modules, where the module **VCC** input is supplied by a step-down switching regulator capable of delivering the highest peak / pulse current specified for the 2G use-case, with low output ripple and with fixed switching frequency in PWM mode operation greater than 1 MHz.



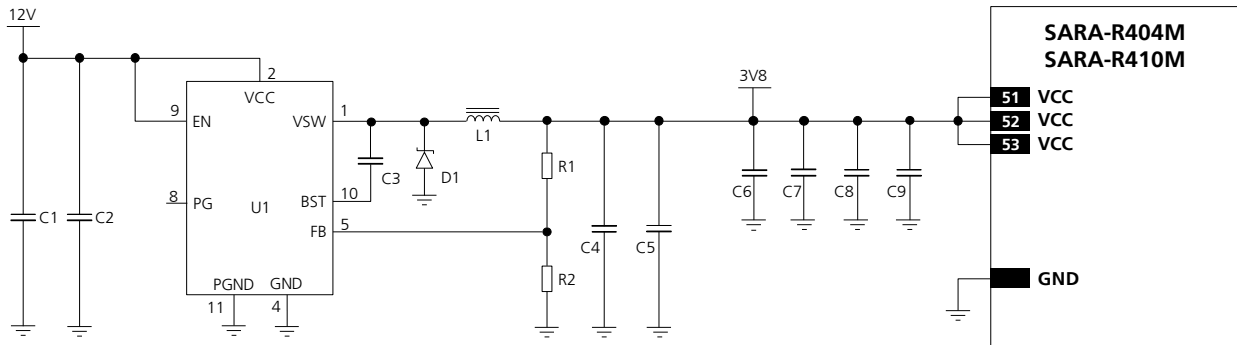
**Figure 15: Example of high reliability VCC supply circuit for SARA-R4 series modules, using a step-down regulator**

Reference	Description	Part Number - Manufacturer
C1	10 $\mu$ F Capacitor Ceramic X7R 5750 15% 50 V	Generic manufacturer
C2	10 nF Capacitor Ceramic X7R 0402 10% 16 V	Generic manufacturer
C3	680 pF Capacitor Ceramic X7R 0402 10% 16 V	Generic manufacturer
C4	22 pF Capacitor Ceramic COG 0402 5% 25 V	Generic manufacturer
C5	10 nF Capacitor Ceramic X7R 0402 10% 16 V	Generic manufacturer
C6	470 nF Capacitor Ceramic X7R 0603 10% 25 V	Generic manufacturer
C7	100 $\mu$ F Capacitor Tantalum B_SIZE 20% 6.3V 15m $\Omega$	T520B107M006ATE015 – Kemet
C8	100 nF Capacitor Ceramic X7R 16 V	GRM155R71C104KA01 - Murata
C9	10 nF Capacitor Ceramic X7R 16 V	GRM155R71C103KA01 - Murata
C10	68 pF Capacitor Ceramic COG 0402 5% 50 V	GRM1555C1E680JA01 - Murata
C11	15 pF Capacitor Ceramic COG 0402 5% 50 V	GRM1555C1E150JA01 - Murata
D1	Schottky Diode 40 V 3 A	MBRA340T3G - ON Semiconductor
L1	10 $\mu$ H Inductor 744066100 30% 3.6 A	744066100 - Wurth Electronics
R1	470 k $\Omega$ Resistor 0402 5% 0.1 W	Generic manufacturer
R2	15 k $\Omega$ Resistor 0402 5% 0.1 W	Generic manufacturer
R3	22 k $\Omega$ Resistor 0402 5% 0.1 W	Generic manufacturer
R4	390 k $\Omega$ Resistor 0402 1% 0.063 W	Generic manufacturer
R5	100 k $\Omega$ Resistor 0402 5% 0.1 W	Generic manufacturer
U1	Step-Down Regulator MSOP10 3.5 A 2.4 MHz	LT3972IMSE#PBF - Linear Technology

**Table 9: Components for high reliability VCC supply circuit for SARA-R4 series modules, using a step-down regulator**



Figure 15 and the components listed in Table 9 show an example of a high reliability power supply circuit for the SARA-R404M and the SARA-R410M modules, which do not support the 2G radio access technology. In this example, the module **VCC** is supplied by a step-down switching regulator capable of delivering the maximum peak / pulse current specified for the LTE use-case, with low output ripple and with fixed switching frequency in PWM mode operation greater than 1 MHz.

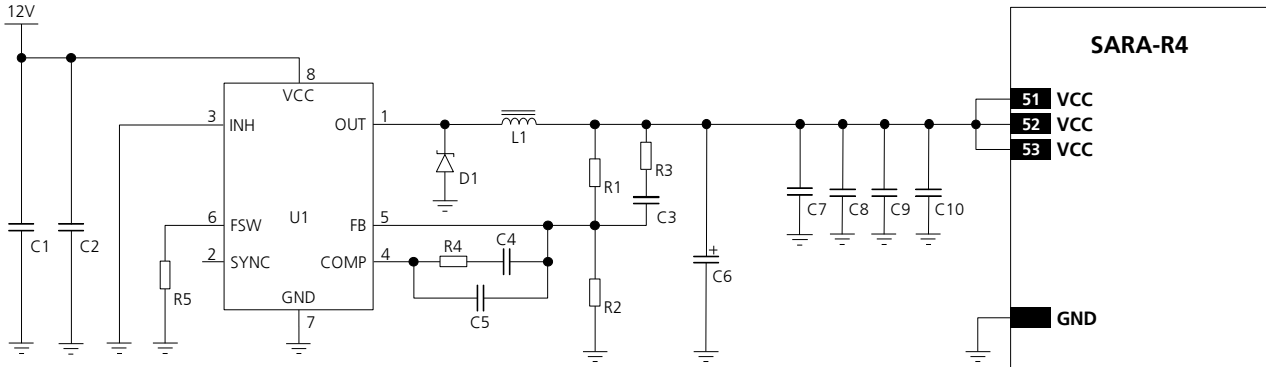


**Figure 16: Example of high reliability VCC supply circuit for SARA-R404M and SARA-R410M, using a step-down regulator**

Reference	Description	Part Number - Manufacturer
C1	10 $\mu$ F Capacitor Ceramic X7R 50 V	Generic manufacturer
C2	10 nF Capacitor Ceramic X7R 16 V	Generic manufacturer
C3	22 nF Capacitor Ceramic X7R 16 V	Generic manufacturer
C4	22 $\mu$ F Capacitor Ceramic X5R 25 V	Generic manufacturer
C5	22 $\mu$ F Capacitor Ceramic X5R 25 V	Generic manufacturer
C6	100 nF Capacitor Ceramic X7R 16 V	GRM155R71C104KA01 - Murata
C7	10 nF Capacitor Ceramic X7R 16 V	GRM155R71C103KA01 - Murata
C8	68 pF Capacitor Ceramic C0G 0402 5% 50 V	GRM1555C1E680JA01 - Murata
C9	15 pF Capacitor Ceramic C0G 0402 5% 50 V	GRM1555C1E150JA01 - Murata
D1	Schottky Diode 30 V 2 A	MBR230LSFT1G - ON Semiconductor
L1	4.7 $\mu$ H Inductor 20% 2 A	SLF7045T-4R7M2R0-PF - TDK
R1	470 k $\Omega$ Resistor 0.1 W	Generic manufacturer
R2	150 k $\Omega$ Resistor 0.1 W	Generic manufacturer
U1	Step-Down Regulator 1 A 1 MHz	TS30041 - Semtech

**Table 10: Components for high reliability VCC supply circuit for SARA-R404M and SARA-R410M, using a step-down regulator**

Figure 17 and the components listed in Table 11 show an example of a low cost power supply circuit suitable for all the SARA-R4 series modules, where the module **VCC** is supplied by a step-down switching regulator capable of delivering the highest peak / pulse current specified for the 2G use-case, transforming a 12 V supply input.



**Figure 17: Example of low cost VCC supply circuit for SARA-R4 series modules, using a step-down regulator**

Reference	Description	Part Number - Manufacturer
C1	22 $\mu$ F Capacitor Ceramic X5R 1210 10% 25 V	Generic manufacturer
C2	220 nF Capacitor Ceramic X7R 0603 10% 25 V	Generic manufacturer
C3	5.6 nF Capacitor Ceramic X7R 0402 10% 50 V	Generic manufacturer
C4	6.8 nF Capacitor Ceramic X7R 0402 10% 50 V	Generic manufacturer
C5	56 pF Capacitor Ceramic COG 0402 5% 50 V	Generic manufacturer
C6	100 $\mu$ F Capacitor Tantalum B_SIZE 20% 6.3V 15m $\Omega$	T520B107M006ATE015 – Kemet
C7	100 nF Capacitor Ceramic X7R 16 V	GRM155R71C104KA01 - Murata
C8	10 nF Capacitor Ceramic X7R 16 V	GRM155R71C103KA01 - Murata
C9	68 pF Capacitor Ceramic COG 0402 5% 50 V	GRM1555C1E680JA01 - Murata
C10	15 pF Capacitor Ceramic COG 0402 5% 50 V	GRM1555C1E150JA01 - Murata
D1	Schottky Diode 25V 2 A	STPS2L25 – STMicroelectronics
L1	5.2 $\mu$ H Inductor 30% 5.28A 22 m $\Omega$	MSS1038-522NL – Coilcraft
R1	4.7 k $\Omega$ Resistor 0402 1% 0.063 W	Generic manufacturer
R2	910 $\Omega$ Resistor 0402 1% 0.063 W	Generic manufacturer
R3	82 $\Omega$ Resistor 0402 5% 0.063 W	Generic manufacturer
R4	8.2 k $\Omega$ Resistor 0402 5% 0.063 W	Generic manufacturer
R5	39 k $\Omega$ Resistor 0402 5% 0.063 W	Generic manufacturer
U1	Step-Down Regulator 8-VFQFPN 3 A 1 MHz	L5987TR – ST Microelectronics

**Table 11: Suggested components for low cost VCC supply circuit for SARA-R4 series modules, using a step-down regulator**

### 2.2.1.3 Guidelines for VCC supply circuit design using a Low Drop-Out linear regulator

The use of a linear regulator is suggested when the difference from the available supply rail source and the **VCC** value is low. The linear regulators provide high efficiency when transforming a 5 VDC supply to a voltage value within the module **VCC** normal operating range.

The characteristics of the Low Drop-Out (LDO) linear regulator connected to **VCC** pins should meet the following prerequisites to comply with the module **VCC** requirements summarized in Table 6:

- **Power capabilities:** the LDO linear regulator with its output circuit must be capable of providing a voltage value to the **VCC** pins within the specified operating range and must be capable of delivering to **VCC** pins the maximum current consumption occurring during a transmission at the maximum Tx power, as specified in the SARA-R4 series Data Sheet [1].
- **Power dissipation:** the power handling capability of the LDO linear regulator must be checked to limit its junction temperature to the maximum rated operating range (i.e. check the voltage drop from the maximum input voltage to the minimum output voltage to evaluate the power dissipation of the regulator).

Figure 18 and the components listed in Table 12 show an example of a high reliability power supply circuit for the SARA-R412M modules supporting the 2G radio access technology. This example is also suitable for the other SARA-R4 series modules, where the **VCC** module supply is provided by an LDO linear regulator capable of delivering the highest peak / pulse current specified for the 2G use-case, with an appropriate power handling capability. The regulator described in this example supports a wide input voltage range, and it includes internal circuitry for reverse battery protection, current limiting, thermal limiting and reverse current protection.

It is recommended to configure the LDO linear regulator to generate a voltage supply value slightly below the maximum limit of the module **VCC** normal operating range (e.g. ~4.1 V as in the circuit described in Figure 19 and Table 13). This reduces the power on the linear regulator and improves the whole thermal design of the supply circuit.

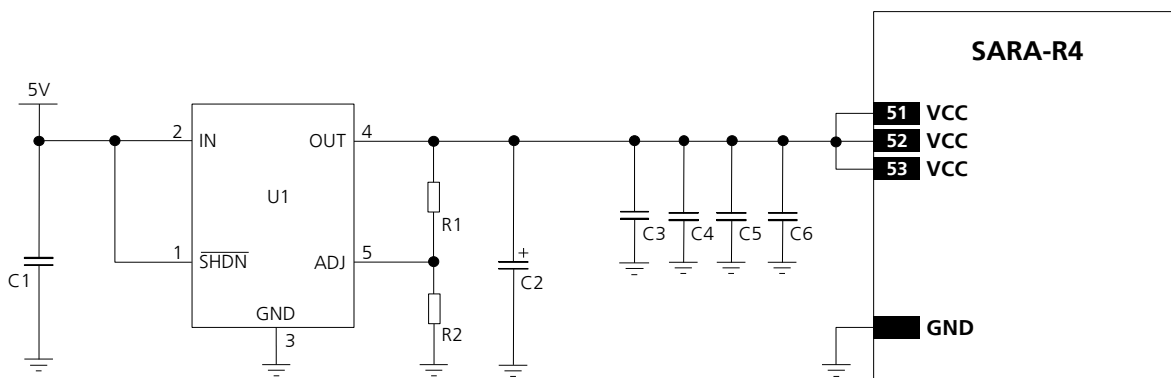


Figure 18: Example of high reliability VCC supply circuit for SARA-R4 series modules, using an LDO linear regulator

Reference	Description	Part Number - Manufacturer
C1	10 µF Capacitor Ceramic X5R 0603 20% 6.3 V	Generic manufacturer
C2	100 µF Capacitor Tantalum B_SIZE 20% 6.3V 15mΩ	T520B107M006ATE015 – Kemet
C3	100 nF Capacitor Ceramic X7R 16 V	GRM155R71C104KA01 - Murata
C4	10 nF Capacitor Ceramic X7R 16 V	GRM155R71C103KA01 - Murata
C5	68 pF Capacitor Ceramic COG 0402 5% 50 V	GRM1555C1E680JA01 - Murata
C6	15 pF Capacitor Ceramic COG 0402 5% 50 V	GRM1555C1E150JA01 - Murata
R1	9.1 kΩ Resistor 0402 5% 0.1 W	Generic manufacturer
R2	3.9 kΩ Resistor 0402 5% 0.1 W	Generic manufacturer
U1	LDO Linear Regulator ADJ 3.0 A	LT1764AEQ#PBF - Linear Technology

Table 12: Suggested components for high reliability VCC supply circuit for SARA-R4 modules, using an LDO linear regulator

Figure 19 and the components listed in Table 13 show an example of a high reliability power supply circuit for the SARA-R404M and the SARA-R410M modules, which do not support the 2G radio access technology, where the module **VCC** is supplied by an LDO linear regulator capable of delivering the maximum peak / pulse current specified for the LTE use-case, with suitable power handling capability.

It is recommended to configure the LDO linear regulator to generate a voltage supply value slightly below the maximum limit of the module **VCC** normal operating range (e.g. ~4.1 V for the **VCC**, as in the circuits described in Figure 19 and Table 13). This reduces the power on the linear regulator and improves the thermal design of the circuit.

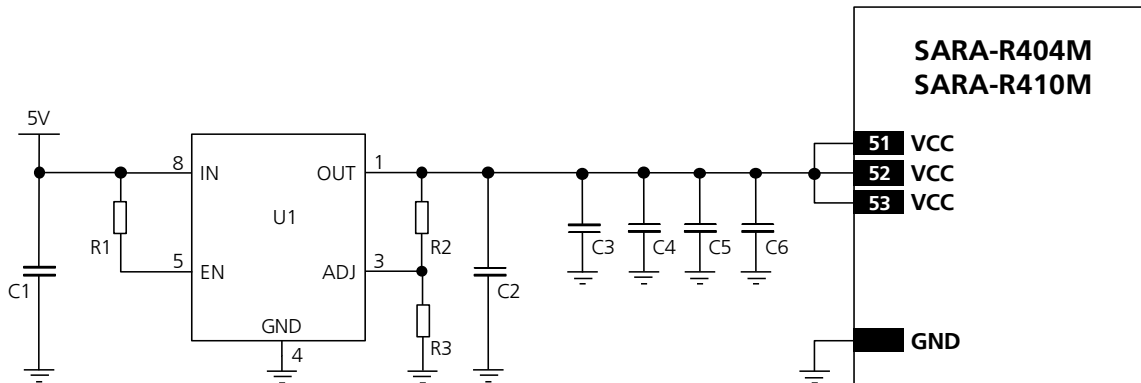


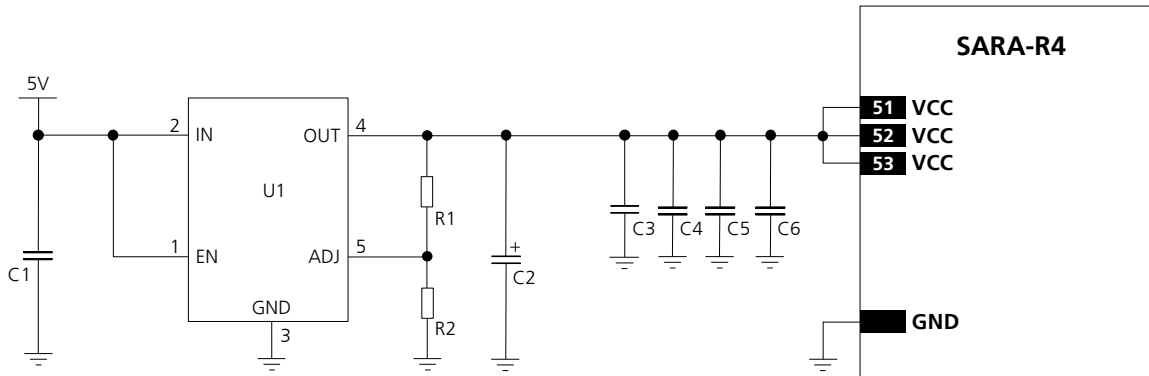
Figure 19: Example of high reliability VCC supply circuit for SARA-R404M and SARA-R410M, using an LDO linear regulator

Reference	Description	Part Number - Manufacturer
C1	1 µF Capacitor Ceramic X5R 6.3 V	Generic manufacturer
C2	22 µF Capacitor Ceramic X5R 25 V	Generic manufacturer
C3	100 nF Capacitor Ceramic X7R 16 V	GRM155R71C104KA01 - Murata
C4	10 nF Capacitor Ceramic X7R 16 V	GRM155R71C103KA01 - Murata
C5	68 pF Capacitor Ceramic COG 0402 5% 50 V	GRM1555C1E680JA01 - Murata
C6	15 pF Capacitor Ceramic COG 0402 5% 50 V	GRM1555C1E150JA01 - Murata
R1	47 kΩ Resistor 0.1 W	Generic manufacturer
R2	41 kΩ Resistor 0.1 W	Generic manufacturer
R3	10 kΩ Resistor 0.1 W	Generic manufacturer
U1	LDO Linear Regulator 1.0 A	AP7361 – Diodes Incorporated

Table 13: Components for high reliability VCC supply circuit for SARA-R404M and SARA-R410M, using an LDO linear regulator

Figure 20 and the components listed in Table 14 show an example of a low cost power supply circuit, where the **VCC** module supply is provided by an LDO linear regulator capable of delivering the specified highest peak / pulse current, with an appropriate power handling capability. The regulator described in this example supports a limited input voltage range and it includes internal circuitry for current and thermal protection.

It is recommended to configure the LDO linear regulator to generate a voltage supply value slightly below the maximum limit of the module VCC normal operating range (e.g. ~4.1 V as in the circuit described in Figure 20 and Table 14). This reduces the power on the linear regulator and improves the whole thermal design of the supply circuit.



**Figure 20: Example of low cost VCC supply circuit for SARA-R4 series modules, using an LDO linear regulator**

Reference	Description	Part Number - Manufacturer
C1	10 µF Capacitor Ceramic X5R 0603 20% 6.3 V	Generic manufacturer
C2	100 µF Capacitor Tantalum B_SIZE 20% 6.3V 15mΩ	T520B107M006ATE015 – Kemet
C3	100 nF Capacitor Ceramic X7R 16 V	GRM155R71C104KA01 - Murata
C4	10 nF Capacitor Ceramic X7R 16 V	GRM155R71C103KA01 - Murata
C5	68 pF Capacitor Ceramic COG 0402 5% 50 V	GRM1555C1E680JA01 - Murata
C6	15 pF Capacitor Ceramic COG 0402 5% 50 V	GRM1555C1E150JA01 - Murata
R1	27 kΩ Resistor 0402 5% 0.1 W	Generic manufacturer
R2	4.7 kΩ Resistor 0402 5% 0.1 W	Generic manufacturer
U1	LDO Linear Regulator ADJ 3.0 A	LP38501ATJ-ADJ/NOPB - Texas Instrument

**Table 14: Suggested components for low cost VCC supply circuit for SARA-R4 series modules, using an LDO linear regulator**

#### 2.2.1.4 Guidelines for VCC supply circuit design using a rechargeable Li-Ion or Li-Pol battery

Rechargeable Li-Ion or Li-Pol batteries connected to the **VCC** pins should meet the following prerequisites to comply with the module **VCC** requirements summarized in Table 6:

- **Maximum pulse and DC discharge current:** the rechargeable Li-Ion battery with its related output circuit connected to the **VCC** pins must be capable of delivering the maximum current occurring during a transmission at maximum Tx power, as specified in the SARA-R4 series Data Sheet [1]. The maximum discharge current is not always reported in the data sheets of batteries, but the maximum DC discharge current is typically almost equal to the battery capacity in Amp-hours divided by 1 hour.
- **DC series resistance:** the rechargeable Li-Ion battery with its output circuit must be capable of avoiding a VCC voltage drop below the operating range summarized in Table 6 during transmit bursts.

#### 2.2.1.5 Guidelines for VCC supply circuit design using a primary (disposable) battery

The characteristics of a primary (non-rechargeable) battery connected to **VCC** pins should meet the following prerequisites to comply with the module **VCC** requirements summarized in Table 6:

- **Maximum pulse and DC discharge current:** the non-rechargeable battery with its related output circuit connected to the **VCC** pins must be capable of delivering the maximum current consumption occurring during a transmission at maximum Tx power, as specified in the SARA-R4 series Data Sheet [1]. The maximum discharge current is not always reported in the data sheets of batteries, but the maximum DC discharge current is typically almost equal to the battery capacity in Amp-hours divided by 1 hour.
- **DC series resistance:** the non-rechargeable battery with its output circuit must be capable of avoiding a VCC voltage drop below the operating range summarized in Table 6 during transmit bursts.

#### 2.2.1.6 Guidelines for external battery charging circuit

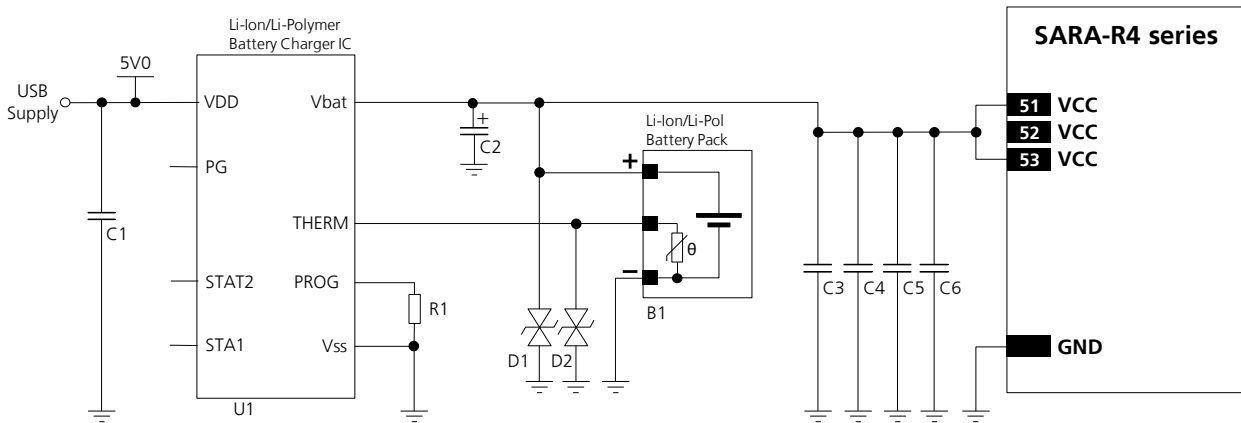
SARA-R4 series modules do not have an on-board charging circuit. Figure 21 provides an example of a battery charger design, suitable for applications that are battery powered with a Li-Ion (or Li-Polymer) cell.

In the application circuit, a rechargeable Li-Ion (or Li-Polymer) battery cell, that features the correct pulse and DC discharge current capabilities and the appropriate DC series resistance, is directly connected to the **VCC** supply input of the module. Battery charging is completely managed by the Battery Charger IC, which from a USB power source (5.0 V typ.), linearly charges the battery in three phases:

- **Pre-charge constant current** (active when the battery is deeply discharged): the battery is charged with a low current.
- **Fast-charge constant current:** the battery is charged with the maximum current, configured by the value of an external resistor.
- **Constant voltage:** when the battery voltage reaches the regulated output voltage, the Battery Charger IC starts to reduce the current until the charge termination is done. The charging process ends when the charging current reaches the value configured by an external resistor or when the charging timer reaches the factory set value.

Using a battery pack with an internal NTC resistor, the Battery Charger IC can monitor the battery temperature to protect the battery from operating under unsafe thermal conditions.

The Battery Charger IC, as linear charger, is more suitable for applications where the charging source has a relatively low nominal voltage (~5 V), so that a switching charger is suggested for applications where the charging source has a relatively high nominal voltage (e.g. ~12 V, see section 2.2.1.7 for the specific design-in).


**Figure 21: Li-Ion (or Li-Polymer) battery charging application circuit**

Reference	Description	Part Number - Manufacturer
B1	Li-Ion (or Li-Polymer) battery pack with 470 $\Omega$ NTC	Generic manufacturer
C1	1 $\mu$ F Capacitor Ceramic X7R 16 V	Generic manufacturer
C2	100 $\mu$ F Capacitor Tantalum B_SIZE 20% 6.3V 15m $\Omega$	T520B107M006ATE015 – Kemet
C3	15 pF Capacitor Ceramic C0G 0402 5% 50 V	GRM1555C1H150JA01 - Murata
C4	68 pF Capacitor Ceramic C0G 0402 5% 50 V	GRM1555C1H680JA01 - Murata
C5	10 nF Capacitor Ceramic X7R 0402 10% 16 V	GRM155R71C103KA01 - Murata
C6	100 nF Capacitor Ceramic X7R 0402 10% 16 V	GRM155R71C104KA01 - Murata
D1, D2	Low Capacitance ESD Protection	CG0402MLE-18G - Bourns
R1	10 k $\Omega$ Resistor 0.1 W	Generic manufacturer
U1	Single Cell Li-Ion (or Li-Polymer) Battery Charger IC	MCP73833 - Microchip

**Table 15: Suggested components for the Li-Ion (or Li-Polymer) battery charging application circuit**

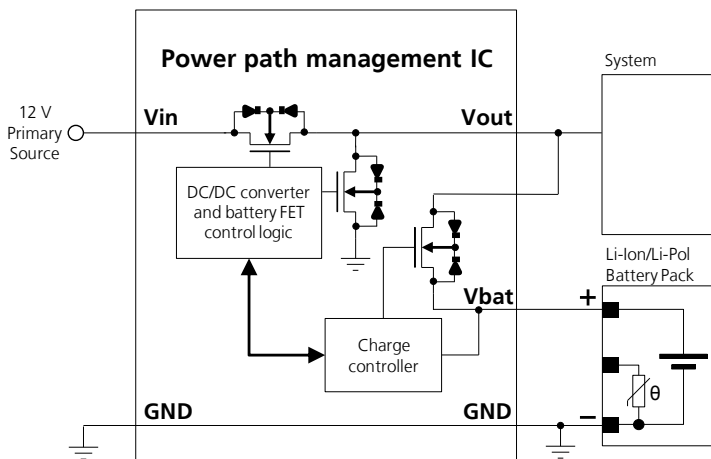
### 2.2.1.7 Guidelines for external battery charging and power path management circuit

Application devices where both a permanent primary supply / charging source (e.g. ~12 V) and a rechargeable back-up battery (e.g. 3.7 V Li-Pol) are available at the same time as a possible supply source, should implement a suitable charger / regulator with integrated power path management function to supply the module and the whole device while simultaneously and independently charging the battery.

Figure 22 reports a simplified block diagram circuit showing the working principle of a charger / regulator with integrated power path management function. This component allows the system to be powered by a permanent primary supply source (e.g. ~12 V) using the integrated regulator, which simultaneously and independently recharges the battery (e.g. 3.7 V Li-Pol) that represents the back-up supply source of the system. The power path management feature permits the battery to supplement the system current requirements when the primary supply source is not available or cannot deliver the peak system currents.

A power management IC should meet the following prerequisites to comply with the module **VCC** requirements summarized in Table 6:

- High efficiency internal step down converter, compliant with the performances specified in section 2.2.1.2
- Low internal resistance in the active path  $V_{out} - V_{bat}$ , typically lower than 50 m $\Omega$
- High efficiency switch mode charger with separate power path control



**Figure 22: Charger / regulator with integrated power path management circuit block diagram**

Figure 23 and the parts listed in Table 16 provide an application circuit example where the MPS MP2617H switching charger / regulator with integrated power path management function provides the supply to the cellular module. At the same time it also concurrently and autonomously charges a suitable Li-Ion (or Li-Polymer) battery with the correct pulse and DC discharge current capabilities and the appropriate DC series resistance according to the rechargeable battery recommendations described in section 2.2.1.4.

The MP2617H IC constantly monitors the battery voltage and selects whether to use the external main primary supply / charging source or the battery as supply source for the module, and starts a charging phase accordingly.

The MP2617H IC normally provides a supply voltage to the module regulated from the external main primary source allowing immediate system operation even under missing or deeply discharged battery: the integrated switching step-down regulator is capable to provide up to 3 A output current with low output ripple and fixed 1.6 MHz switching frequency in PWM mode operation. The module load is satisfied in priority, then the integrated switching charger will take the remaining current to charge the battery.

Additionally, the power path control allows an internal connection from battery to the module with a low series internal ON resistance (40 mΩ typical), in order to supplement additional power to the module when the current demand increases over the external main primary source or when this external source is removed.

Battery charging is managed in three phases:

- **Pre-charge constant current** (active when the battery is deeply discharged): the battery is charged with a low current, set to 10% of the fast-charge current
- **Fast-charge constant current**: the battery is charged with the maximum current, configured by the value of an external resistor to a value suitable for the application
- **Constant voltage**: when the battery voltage reaches the regulated output voltage (4.2 V), the current is progressively reduced until the charge termination is done. The charging process ends when the charging current reaches the 10% of the fast-charge current or when the charging timer reaches the value configured by an external capacitor

Using a battery pack with an internal NTC resistor, the MP2617H can monitor the battery temperature to protect the battery from operating under unsafe thermal conditions.

Several parameters as the charging current, the charging timings, the input current limit, the input voltage limit, the system output voltage can be easily set according to the specific application requirements, as the actual electrical characteristics of the battery and the external supply / charging source: suitable resistors or capacitors must be accordingly connected to the related pins of the IC.



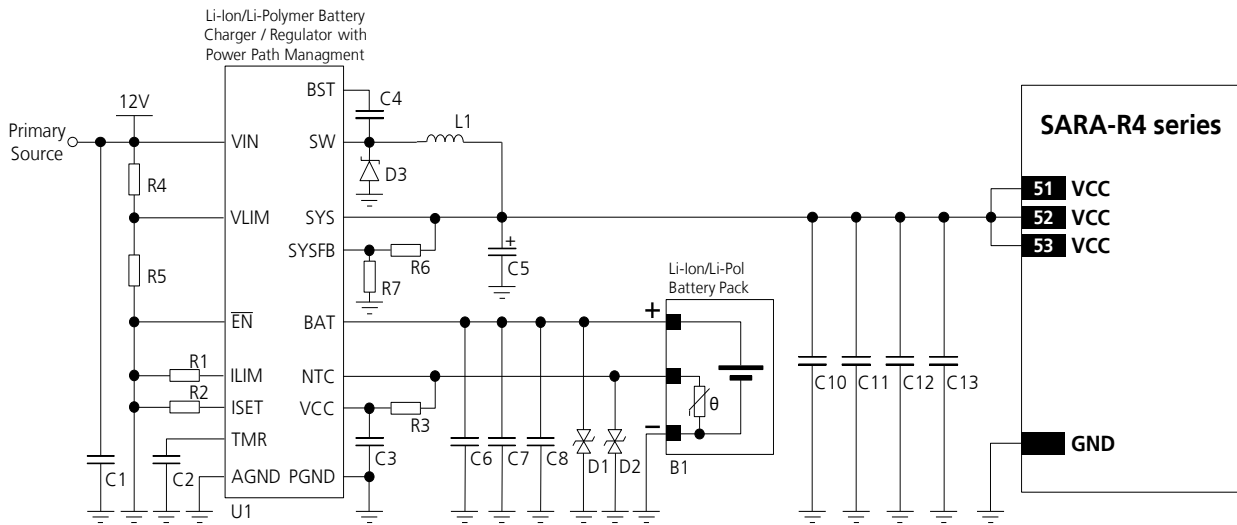


Figure 23: Li-Ion (or Li-Polymer) battery charging and power path management application circuit

Reference	Description	Part Number - Manufacturer
B1	Li-Ion (or Li-Polymer) battery pack with 10 kΩ NTC	Various manufacturer
C1, C6	22 μF Capacitor Ceramic X5R 1210 10% 25 V	GRM32ER61E226KE15 - Murata
C2, C4, C10	100 nF Capacitor Ceramic X7R 0402 10% 16 V	GRM155R61A104KA01 - Murata
C3	1 μF Capacitor Ceramic X7R 0603 10% 25 V	GRM188R71E105KA12 - Murata
C5	330 μF Capacitor Tantalum D_SIZE 6.3 V 45 mΩ	T520D337M006ATE045 - KEMET
C7, C12	68 pF Capacitor Ceramic COG 0402 5% 50 V	GRM155C1H680JA01 - Murata
C8, C13	15 pF Capacitor Ceramic COG 0402 5% 25 V	GRM155C1E150JA01 - Murata
C11	10 nF Capacitor Ceramic X7R 0402 10% 16 V	GRM155R71C103KA01 - Murata
D1, D2	Low Capacitance ESD Protection	CG0402MLE-18G - Bourns
D3	Schottky Diode 40 V 3 A	MBRA340T3G - ON Semiconductor
R1, R3, R5, R7	10 kΩ Resistor 0402 1% 1/16 W	Generic manufacturer
R2	1.05 kΩ Resistor 0402 1% 0.1 W	Generic manufacturer
R4	22 kΩ Resistor 0402 1% 1/16 W	Generic manufacturer
R6	26.5 kΩ Resistor 0402 1% 1/16 W	Generic manufacturer
L1	2.2 μH Inductor 7.4 A 13 mΩ 20%	SRN8040-2R2Y - Bourns
U1	Li-Ion/Li-Polymer Battery DC/DC Charger / Regulator with integrated Power Path Management function	MP2617H - Monolithic Power Systems (MPS)

Table 16: Suggested components for Li-Ion (or Li-Polymer) battery charging and power path management application circuit

### 2.2.1.8 Guidelines for particular VCC supply circuit design for SARA-R412M modules

SARA-R412M modules have separate supply inputs over the **VCC** pins (see Figure 3):

- **VCC** pins #52 and #53: supply input for the internal RF Power Amplifier, demanding most of the total current drawn of the module when RF transmission is enabled during a call
- **VCC** pin #51: supply input for the internal Power Management Unit, Base-Band and Transceiver parts, demanding minor current

Generally, all the **VCC** pins are intended to be connected to the same external power supply circuit, but separate supply sources can be implemented for specific (e.g. battery-powered) applications. The voltage at the **VCC** pins #52 and #53 can drop to a value lower than the one at the **VCC** pin #51, keeping the module still switched-on and functional. Figure 24 illustrates a possible application circuit.

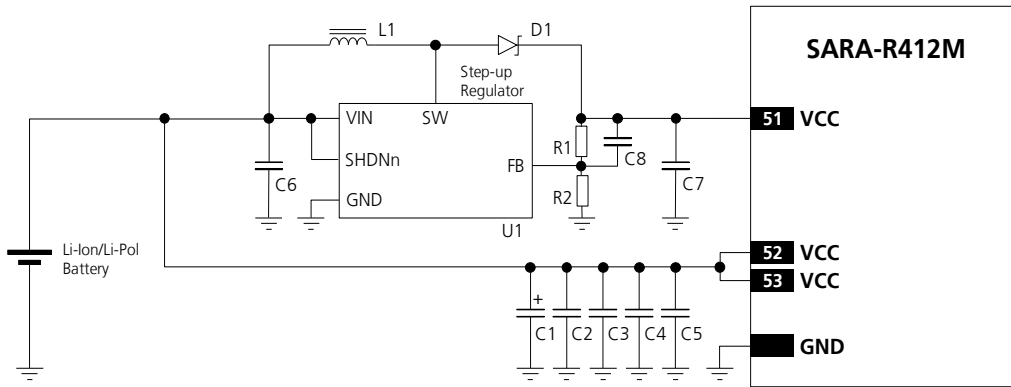


Figure 24: VCC circuit example with separate supply for SARA-R412M modules

Reference	Description	Part Number - Manufacturer
C1	100 $\mu$ F Capacitor Tantalum B_SIZE 20% 6.3V 15m $\Omega$	T520B107M006ATE015 – Kemet
C2	100 nF Capacitor Ceramic X7R 0402 10% 16 V	GRM155R61A104KA01 - Murata
C3	10 nF Capacitor Ceramic X7R 0402 10% 16 V	GRM155R71C103KA01 - Murata
C4	56 pF Capacitor Ceramic COG 0402 5% 25 V	GRM1555C1E560JA01 - Murata
C5	15 pF Capacitor Ceramic COG 0402 5% 25 V	GRM1555C1E150JA01 - Murata
C6	10 $\mu$ F Capacitor Ceramic X5R 0603 20% 6.3 V	GRM188R60J106ME47 - Murata
C7	22 $\mu$ F Capacitor Ceramic X5R 1210 10% 25 V	GRM32ER61E226KE15 - Murata
C8	10 pF Capacitor Ceramic COG 0402 5% 25 V	GRM1555C1E100JA01 - Murata
D1	Schottky Diode 40 V 1 A	SS14 - Vishay General Semiconductor
L1	10 $\mu$ H Inductor 20% 1 A 276 m $\Omega$	SRN3015-100M - Bourns Inc.
R1	1 M $\Omega$ Resistor 0402 5% 0.063 W	Generic manufacturer
R2	412 k $\Omega$ Resistor 0402 5% 0.063 W	Generic manufacturer
U1	Step-up Regulator 350 mA	AP3015 - Diodes Incorporated

Table 17: Examples of components for the VCC circuit with separate supply for SARA-R412M modules

### 2.2.1.9 Guidelines for removing VCC supply

Removing the **VCC** power can be useful to minimize the current consumption when the SARA-R4 series modules are switched off or when the modules are in deep sleep Power Saving Mode.

In applications in which the module is paired to a host application processor equipped with a RTC, the module can execute standard PSM procedures, store NAS protocol context in non-volatile memory, and rely on the host application processor to run its RTC and to trigger wake-up upon need. The application processor can disconnect the **VCC** supply source from the module and zero out the module's PSM current.

The **VCC** supply source can be removed using an appropriate low-leakage load switch or p-channel MOSFET controlled by the application processor as shown in Figure 25, given that the external switch has provide:

- Very low leakage current (for example, less than 1  $\mu\text{A}$ ), to minimize the current consumption
- Very low  $R_{DS(ON)}$  series resistance (for example, less than 50  $\text{m}\Omega$ ), to minimize voltage drops
- Adequate maximum Drain current (see the SARA-R4 series Data Sheet [1] for module consumption figures)

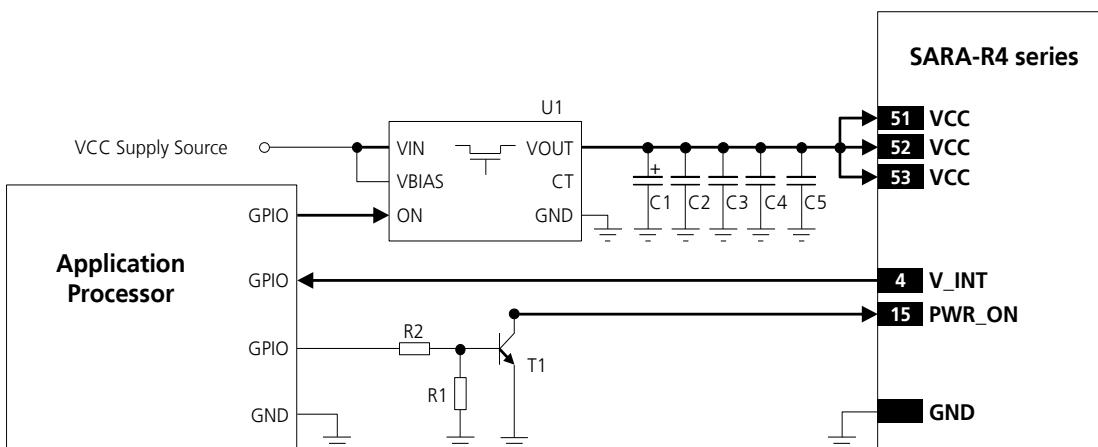


Figure 25: Example of application circuit for VCC supply removal

Reference	Description	Part Number - Manufacturer
C1	100 $\mu\text{F}$ Capacitor Tantalum B_SIZE 20% 6.3V 15 $\text{m}\Omega$	T520B107M006ATE015 – Kemet
C2	10 nF Capacitor Ceramic X7R 0402 10% 16 V	GRM155R71C103KA01 - Murata
C3	100 nF Capacitor Ceramic X7R 0402 10% 16 V	GRM155R61A104KA01 - Murata
C4	68 pF Capacitor Ceramic COG 0402 5% 50 V	GRM1555C1H680JA01 - Murata
C5	15 pF Capacitor Ceramic COG 0402 5% 25 V	GRM1555C1E150JA01 - Murata
R1, R3	47 k $\Omega$ Resistor 0402 5% 0.1 W	RC0402JR-0747KL - Yageo Phycomp
R2	10 k $\Omega$ Resistor 0402 5% 0.1 W	RC0402JR-0710KL - Yageo Phycomp
T1	NPN BJT Transistor	BC847 - Infineon
U1	Ultra-Low Resistance Load Switch	TPS22967 - Texas Instruments

Table 18: Components for VCC supply removal application circuit



It is highly recommended to avoid an abrupt removal of the **VCC** supply during SARA-R4 series normal operations: the **VCC** supply can be removed only after **V\_INT** goes low, indicating that the module has entered Deep-Sleep Power Saving Mode or Power-Off Mode.

### 2.2.1.10 Additional guidelines for VCC supply circuit design

To reduce voltage drops, use a low impedance power source. The series resistance of the power supply lines (connected to the modules' **VCC** and **GND** pins) on the application board and battery pack should also be considered and minimized: cabling and routing must be as short as possible to minimize power losses.

Three pins are allocated to **VCC** supply. Several pins are designated for **GND** connection. It is recommended to correctly connect all of them to supply the module to minimize series resistance losses.

To reduce voltage ripple and noise, improving RF performance especially if the application device integrates an internal antenna, place the following bypass capacitors near the **VCC** pins:

- 68 pF capacitor with Self-Resonant Frequency in the 800/900 MHz range (e.g. Murata GRM1555C1H680J), to filter EMI in the low cellular frequency bands
- 15 pF capacitor with Self-Resonant Frequency in the 1800/1900 MHz range (as Murata GRM1555C1H150J), to filter EMI in the high cellular frequency bands
- 10 nF capacitor (e.g. Murata GRM155R71C103K), to filter digital logic noise from clocks and data sources
- 100 nF capacitor (e.g. Murata GRM155R61C104K), to filter digital logic noise from clocks and data sources

An additional capacitor is recommended to avoid undershoot and overshoot at the start and end of RF Tx:

- 100 µF low ESR capacitor (e.g. Kemet T520B107M006ATE015), for SARA-R412M modules supporting 2G
- 10 µF capacitor (or greater), for the other SARA-R4 series modules that do not support 2G

A suitable series ferrite bead can be suitably placed on the **VCC** line for additional noise filtering if required by the specific application according to the whole application board design.

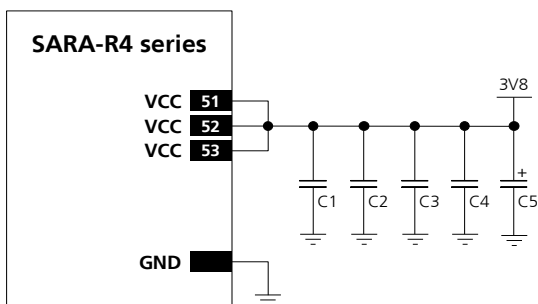


Figure 26: Suggested schematic for the VCC bypass capacitors to reduce ripple / noise on supply voltage profile

Reference	Description	Part Number - Manufacturer
C1	68 pF Capacitor Ceramic COG 0402 5% 50 V	GRM1555C1H680JA01 - Murata
C2	15 pF Capacitor Ceramic COG 0402 5% 50 V	GRM1555C1H150JA01 - Murata
C3	10 nF Capacitor Ceramic X7R 0402 10% 16 V	GRM155R71C103KA01 - Murata
C4	100 nF Capacitor Ceramic X7R 0402 10% 16 V	GRM155R71C104KA01 - Murata
C5	100 µF Capacitor Tantalum B_SIZE 20% 6.3V 15mΩ	T520B107M006ATE015 - Kemet
	10 µF Capacitor Ceramic X5R 0603 20% 6.3 V	GRM188R60J106ME47 - Murata

Table 19: Suggested components to reduce ripple / noise on VCC



The necessity of each part depends on the specific design, but it is recommended to provide all the bypass capacitors described in Figure 26 / Table 19 if the application device integrates an internal antenna.



ESD sensitivity rating of the **VCC** supply pins is 1 kV (HBM according to JESD22-A114). Higher protection level can be required if the line is externally accessible on the application board, e.g. if accessible battery connector is directly connected to the supply pins. Higher protection level can be achieved by mounting an ESD protection (e.g. EPCOS CA05P4S14THSG varistor) close to accessible point.

### 2.2.1.11 Guidelines for VCC supply layout design

Good connection of the module **VCC** pins with DC supply source is required for correct RF performance. Guidelines are summarized in the following list:

- All the available **VCC** pins must be connected to the DC source
- **VCC** connection must be as wide as possible and as short as possible
- Any series component with Equivalent Series Resistance (ESR) greater than few milliohms must be avoided
- **VCC** connection must be routed through a PCB area separated from RF lines / parts, sensitive analog signals and sensitive functional units: it is good practice to interpose at least one layer of PCB ground between the **VCC** track and other signal routing
- Coupling between **VCC** and digital lines, especially USB, must be avoided.
- The tank bypass capacitor with low ESR for current spikes smoothing described in section 2.2.1.10 should be placed close to the **VCC** pins. If the main DC source is a switching DC-DC converter, place the large capacitor close to the DC-DC output and minimize **VCC** track length. Otherwise consider using separate capacitors for DC-DC converter and module tank capacitor
- The bypass capacitors in the pF range described in Figure 26 and Table 19 should be placed as close as possible to the **VCC** pins, where the **VCC** line narrows close to the module input pins, improving the RF noise rejection in the band centered on the Self-Resonant Frequency of the pF capacitors. This is highly recommended if the application device integrates an internal antenna
- Since **VCC** input provide the supply to RF Power Amplifiers, voltage ripple at high frequency may result in unwanted spurious modulation of transmitter RF signal. This is more likely to happen with switching DC-DC converters, in which case it is better to select the highest operating frequency for the switcher and add a large L-C filter before connecting to the SARA-R4 series modules in the worst case
- Shielding of switching DC-DC converter circuit, or at least the use of shielded inductors for the switching DC-DC converter, may be considered since all switching power supplies may potentially generate interfering signals as a result of high-frequency high-power switching.
- If **VCC** is protected by transient voltage suppressor to ensure that the voltage maximum ratings are not exceeded, place the protecting device along the path from the DC source toward the module, preferably closer to the DC source (otherwise protection functionality may be compromised)

### 2.2.1.12 Guidelines for grounding layout design

Good connection of the module **GND** pins with application board solid ground layer is required for correct RF performance. It significantly reduces EMC issues and provides a thermal heat sink for the module.

- Connect each **GND** pin with application board solid GND layer. It is strongly recommended that each **GND** pad surrounding **VCC** pins have one or more dedicated via down to the application board solid ground layer
- The **VCC** supply current flows back to main DC source through GND as ground current: provide adequate return path with suitable uninterrupted ground plane to main DC source
- It is recommended to implement one layer of the application board as ground plane as wide as possible
- If the application board is a multilayer PCB, then all the board layers should be filled with GND plane as much as possible and each GND area should be connected together with complete via stack down to the main ground layer of the board. Use as many vias as possible to connect the ground planes
- Provide a dense line of vias at the edges of each ground area, in particular along RF and high speed lines
- If the whole application device is composed by more than one PCB, then it is required to provide a good and solid ground connection between the GND areas of all the different PCBs
- Good grounding of **GND** pads also ensures thermal heat sink. This is critical during connection, when the real network commands the module to transmit at maximum power: correct grounding helps prevent module overheating.

## 2.2.2 Generic digital interfaces supply output (V\_INT)

### 2.2.2.1 Guidelines for V\_INT circuit design

SARA-R4 series provide the **V\_INT** generic digital interfaces 1.8 V supply output, which can be mainly used to:

- Indicate when the module is switched on and it is not in the deep sleep power saving mode (as described in sections 1.6.1, 1.6.2)
- Pull-up SIM detection signal (see section 2.5 for more details)
- Supply voltage translators to connect 1.8 V module generic digital interfaces to 3.0 V devices (e.g. see 2.6.1)
- Enable external voltage regulators providing supply for external devices



Do not apply loads which might exceed the limit for maximum available current from **V\_INT** supply (see the SARA-R4 series Data Sheet [1]) as this can cause malfunctions in internal circuitry.



**V\_INT** can only be used as an output: do not connect any external supply source on **V\_INT**.



ESD sensitivity rating of the **V\_INT** supply pin is 1 kV (Human Body Model according to JESD22-A114). Higher protection level could be required if the line is externally accessible and it can be achieved by mounting an ESD protection (e.g. EPCOS CA05P4S14THSG varistor array) close to the accessible point.



It is recommended to monitor the **V\_INT** pin to sense the end of the internal switch-off sequence of SARA-R4 series modules: **VCC** supply can be removed only after **V\_INT** goes low.



It is recommended to provide direct access to the **V\_INT** pin on the application board by means of an accessible test point directly connected to the **V\_INT** pin.

## 2.3 System functions interfaces

### 2.3.1 Module power-on (PWR\_ON)

#### 2.3.1.1 Guidelines for PWR\_ON circuit design

SARA-R4 series **PWR\_ON** input is equipped with an internal active pull-up resistor; an external pull-up resistor is not required and should not be provided.

If connecting the **PWR\_ON** input to a push button, the pin will be externally accessible on the application device. According to EMC/ESD requirements of the application, an additional ESD protection should be provided close to the accessible point, as described in Figure 27 and Table 20.



ESD sensitivity rating of the **PWR\_ON** pin is 1 kV (Human Body Model according to JESD22-A114). Higher protection level can be required if the line is externally accessible on the application board, e.g. if an accessible push button is directly connected to **PWR\_ON** pin, and it can be achieved by mounting an ESD protection (e.g. EPCOS CA05P4S14THSG varistor) close to the accessible point.

An open drain or open collector output is suitable to drive the **PWR\_ON** input from an application processor, as described in Figure 27.



The **PWR\_ON** input pin should not be driven high by an external device, as it may cause start up issues.

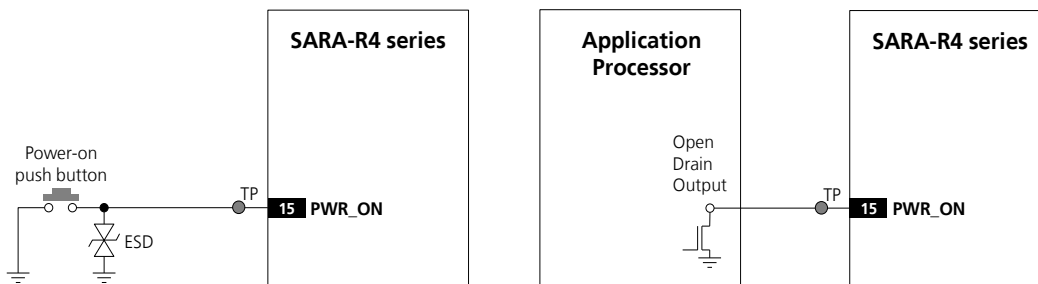


Figure 27: PWR\_ON application circuits using a push button and an open drain output of an application processor

Reference	Description	Remarks
ESD	CT0402S14AHSG - EPCOS	Varistor array for ESD protection

Table 20: Example ESD protection component for the PWR\_ON application circuit



It is recommended to provide direct access to the **PWR\_ON** pin on the application board by means of an accessible test point directly connected to the **PWR\_ON** pin.

#### 2.3.1.2 Guidelines for PWR\_ON layout design

The power-on circuit (**PWR\_ON**) requires careful layout since it is the sensitive input available to switch on and switch off the SARA-R4 series modules. It is required to ensure that the voltage level is well defined during operation and no transient noise is coupled on this line, otherwise the module might detect a spurious power-on request.

## 2.3.2 Module reset (RESET\_N)

### 2.3.2.1 Guidelines for RESET\_N circuit design

SARA-R4 series **RESET\_N** is equipped with an internal pull-up; an external pull-up resistor is not required.

If connecting the **RESET\_N** input to a push button, the pin will be externally accessible on the application device. According to EMC/ESD requirements of the application, an additional ESD protection device (e.g. the EPCOS CA05P4S14THSG varistor) should be provided close to accessible point on the line connected to this pin, as described in Figure 28 and Table 21.



ESD sensitivity rating of the **RESET\_N** pin is 1 kV (HBM according to JESD22-A114). Higher protection level can be required if the line is externally accessible on the application board, e.g. if an accessible push button is directly connected to the **RESET\_N** pin, and it can be achieved by mounting an ESD protection (e.g. EPCOS CA05P4S14THSG varistor) close to accessible point.

An open drain output or open collector output is suitable to drive the **RESET\_N** input from an application processor, as described in Figure 28.



The **RESET\_N** input pin should not be driven high by an external device, as it may cause start up issues.

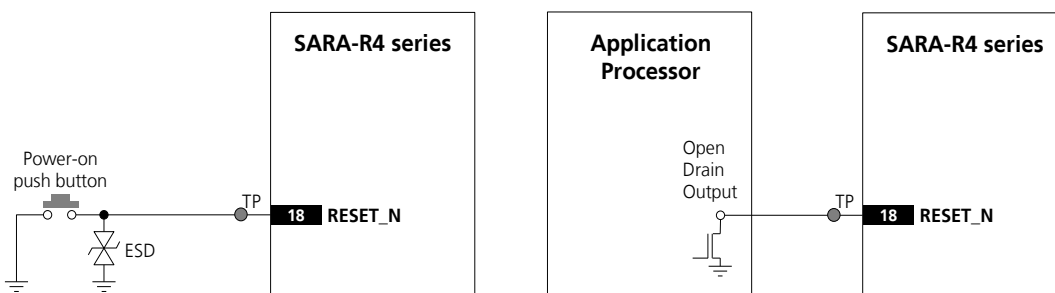


Figure 28: RESET\_N application circuits using a push button and an open drain output of an application processor

Reference	Description	Remarks
ESD	Varistor for ESD protection	CT0402S14AHSG - EPCOS

Table 21: Example of ESD protection component for the RESET\_N application circuits



If the external reset function is not required by the customer application, the **RESET\_N** input pin can be left unconnected to external components, but it is recommended providing direct access on the application board by means of an accessible test point directly connected to the **RESET\_N** pin.

### 2.3.2.2 Guidelines for RESET\_N layout design

The **RESET\_N** circuit require careful layout due to the pin function: ensure that the voltage level is well defined during operation and no transient noise is coupled on this line, otherwise the module might detect a spurious reset request. It is recommended to keep the connection line to **RESET\_N** pin as short as possible.



## 2.4 Antenna interface

SARA-R4 series modules provide an RF interface for connecting the external antenna: the **ANT** pin represents the RF input/output for RF signals transmission and reception.

The **ANT** pin has a nominal characteristic impedance of  $50\ \Omega$  and must be connected to the physical antenna through a  $50\ \Omega$  transmission line to allow clean transmission / reception of RF signals.

### 2.4.1 Antenna RF interface (ANT)

#### 2.4.1.1 General guidelines for antenna selection and design

The antenna is the most critical component to be evaluated. Designers must take care of the antenna from all perspective at the very start of the design phase when the physical dimensions of the application board are under analysis/decision, since the RF compliance of the device integrating SARA-R4 series modules with all the applicable required certification schemes depends on antenna's radiating performance.

Cellular antennas are typically available as:

- External antennas (e.g. linear monopole):
  - External antennas basically do not imply physical restriction to the design of the PCB where the SARA-R4 series module is mounted.
  - The radiation performance mainly depends on the antennas. It is required to select antennas with optimal radiating performance in the operating bands.
  - RF cables should be carefully selected to have minimum insertion losses. Additional insertion loss will be introduced by low quality or long cable. Large insertion loss reduces both transmit and receive radiation performance.
  - A high quality  $50\ \Omega$  RF connector provides a clean PCB-to-RF-cable transition. It is recommended to strictly follow the layout and cable termination guidelines provided by the connector manufacturer.
- Integrated antennas (e.g. PCB antennas such as patches or ceramic SMT elements):
  - Internal integrated antennas imply physical restriction to the design of the PCB:
 

Integrated antenna excites RF currents on its counterpoise, typically the PCB ground plane of the device that becomes part of the antenna: its dimension defines the minimum frequency that can be radiated. Therefore, the ground plane can be reduced down to a minimum size that should be similar to the quarter of the wavelength of the minimum frequency that needs to be radiated, given that the orientation of the ground plane relative to the antenna element must be considered.

As numerical example, the physical restriction to the PCB design can be considered as following:

$$\text{Frequency} = 750\ \text{MHz} \rightarrow \text{Wavelength} = 40\ \text{cm} \rightarrow \text{Minimum GND plane size} = 10\ \text{cm}$$
  - Radiation performance depends on the whole PCB and antenna system design, including product mechanical design and usage. Antennas should be selected with optimal radiating performance in the operating bands according to the mechanical specifications of the PCB and the whole product.
  - It is recommended to select a custom antenna designed by an antennas' manufacturer if the required ground plane dimensions are very small (e.g. less than 6.5 cm long and 4 cm wide). The antenna design process should begin at the start of the whole product design process
  - It is highly recommended to strictly follow the detailed and specific guidelines provided by the antenna manufacturer regarding correct installation and deployment of the antenna system, including PCB layout and matching circuitry
  - Further to the custom PCB and product restrictions, antennas may require tuning to obtain the required performance for compliance with all the applicable required certification schemes. It is recommended to consult the antenna manufacturer for the design-in guidelines for antenna matching relative to the custom application

In both of cases, selecting external or internal antennas, these recommendations should be observed:

- Select an antenna providing optimal return loss (or VSWR) figure over all the operating frequencies.
- Select an antenna providing optimal efficiency figure over all the operating frequencies.
- Select an antenna providing appropriate gain figure (i.e. combined antenna directivity and efficiency figure) so that the electromagnetic field radiation intensity do not exceed the regulatory limits specified in some countries (e.g. by FCC in the United States, as reported in the section 4.2.2).

### 2.4.1.2 Guidelines for antenna RF interface design

#### Guidelines for ANT pin RF connection design

A clean transition between the **ANT** pad and the application board PCB must be provided, implementing the following design-in guidelines for the layout of the application PCB close to the **ANT** pad:

- On a multilayer board, the whole layer stack below the RF connection should be free of digital lines
- Increase GND keep-out (i.e. clearance, a void area) around the **ANT** pad, on the top layer of the application PCB, to at least 250  $\mu\text{m}$  up to adjacent pads metal definition and up to 400  $\mu\text{m}$  on the area below the module, to reduce parasitic capacitance to ground, as described in the left picture in Figure 29
- Add GND keep-out (i.e. clearance, a void area) on the buried metal layer below the **ANT** pad if the top-layer to buried layer dielectric thickness is below 200  $\mu\text{m}$ , to reduce parasitic capacitance to ground, as described in the right picture in Figure 29

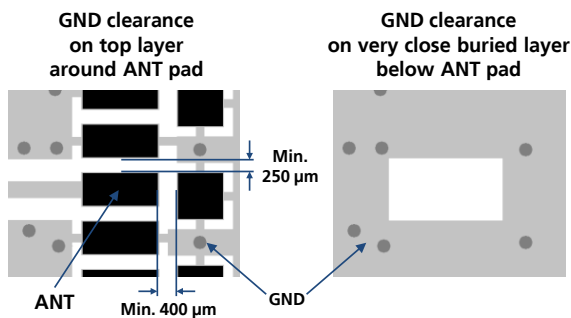


Figure 29: GND keep-out area on top layer around ANT pad and on very close buried layer below ANT pad

#### Guidelines for RF transmission line design

Any RF transmission line, such as the ones from the **ANT** pad up to the related antenna connector or up to the related internal antenna pad, must be designed so that the characteristic impedance is as close as possible to 50  $\Omega$ .

RF transmission lines can be designed as a micro strip (consists of a conducting strip separated from a ground plane by a dielectric material) or a strip line (consists of a flat strip of metal which is sandwiched between two parallel ground planes within a dielectric material). The micro strip, implemented as a coplanar waveguide, is the most common configuration for printed circuit board.

Figure 30 and Figure 31 provide two examples of suitable 50 Ω coplanar waveguide designs. The first example of RF transmission line can be implemented in case of 4-layer PCB stack-up herein described, and the second example of RF transmission line can be implemented in case of 2-layer PCB stack-up herein described.

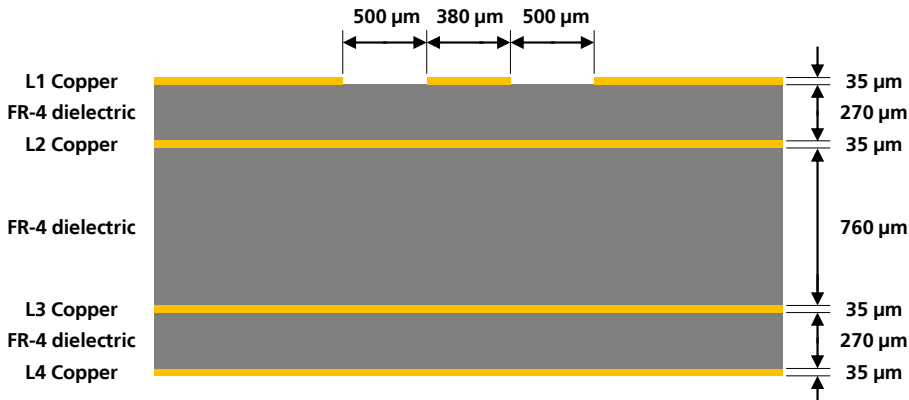


Figure 30: Example of 50 Ω coplanar waveguide transmission line design for the described 4-layer board layout

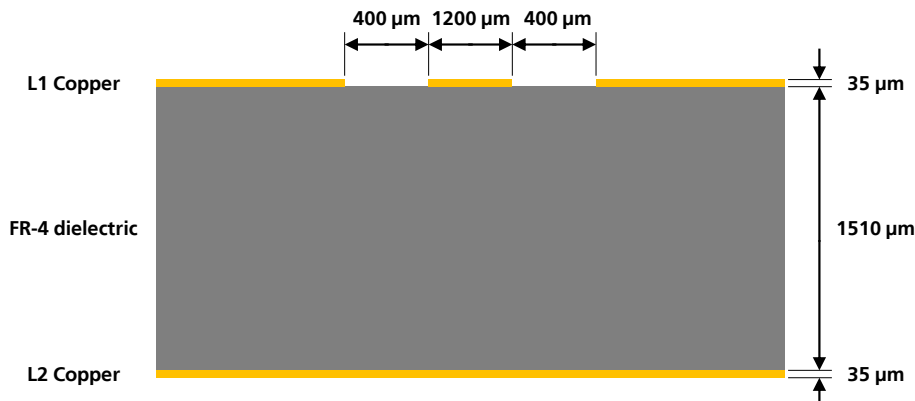


Figure 31: Example of 50 Ω coplanar waveguide transmission line design for the described 2-layer board layout

If the two examples do not match the application PCB stack-up, then the 50 Ω characteristic impedance calculation can be made using the HFSS commercial finite element method solver for electromagnetic structures from Ansys Corporation, or using freeware tools like AppCAD from Agilent ([www.agilent.com](http://www.agilent.com)) or TXLine from Applied Wave Research ([www.mwoffice.com](http://www.mwoffice.com)), taking care of the approximation formulas used by the tools for the impedance computation.

To achieve a 50 Ω characteristic impedance, the width of the transmission line must be chosen depending on:

- the thickness of the transmission line itself (e.g. 35 μm in the example of Figure 30 and Figure 31)
- the thickness of the dielectric material between the top layer (where the transmission line is routed) and the inner closer layer implementing the ground plane (e.g. 270 μm in Figure 30, 1510 μm in Figure 31)
- the dielectric constant of the dielectric material (e.g. dielectric constant of the FR-4 dielectric material in Figure 30 and Figure 31)
- the gap from the transmission line to the adjacent ground plane on the same layer of the transmission line (e.g. 500 μm in Figure 30, 400 μm in Figure 31)

If the distance between the transmission line and the adjacent GND area (on the same layer) does not exceed 5 times the track width of the micro strip, use the “Coplanar Waveguide” model for the 50 Ω calculation.

Additionally to the 50  $\Omega$  impedance, the following guidelines are recommended for transmission lines design:

- Minimize the transmission line length: the insertion loss should be minimized as much as possible, in the order of a few tenths of a dB,
- Add GND keep-out (i.e. clearance, a void area) on buried metal layers below any pad of component present on the RF transmission lines, if top-layer to buried layer dielectric thickness is below 200  $\mu\text{m}$ , to reduce parasitic capacitance to ground,
- The transmission lines width and spacing to GND must be uniform and routed as smoothly as possible: avoid abrupt changes of width and spacing to GND,
- Add GND stitching vias around transmission lines, as described in Figure 32,
- Ensure solid metal connection of the adjacent metal layer on the PCB stack-up to main ground layer, providing enough vias on the adjacent metal layer, as described in Figure 32,
- Route RF transmission lines far from any noise source (as switching supplies and digital lines) and from any sensitive circuit (as USB),
- Avoid stubs on the transmission lines,
- Avoid signal routing in parallel to transmission lines or crossing the transmission lines on buried metal layer,
- Do not route microstrip lines below discrete component or other mechanics placed on top layer

Two examples of a suitable RF circuit design are illustrated in Figure 32, where the antenna detection circuit is not implemented (if the antenna detection function is required by the application, follow the guidelines for circuit and layout implementation detailed in section 2.4.2):

- In the first example shown on the left, the **ANT** pin is directly connected to an SMA connector by means of a suitable 50  $\Omega$  transmission line, designed with the appropriate layout.
- In the second example shown on the right, the **ANT** pin is connected to an SMA connector by means of a suitable 50  $\Omega$  transmission line, designed with the appropriate layout, with an additional high pass filter to improve the ESD immunity at the antenna port. (The filter consists of a suitable series capacitor and shunt inductor, for example the Murata GRM1555C1H150JA01 15 pF capacitor and the Murata LQG15HN39NJ02 39 nH inductor with Self-Resonant Frequency  $\sim$ 1 GHz.).

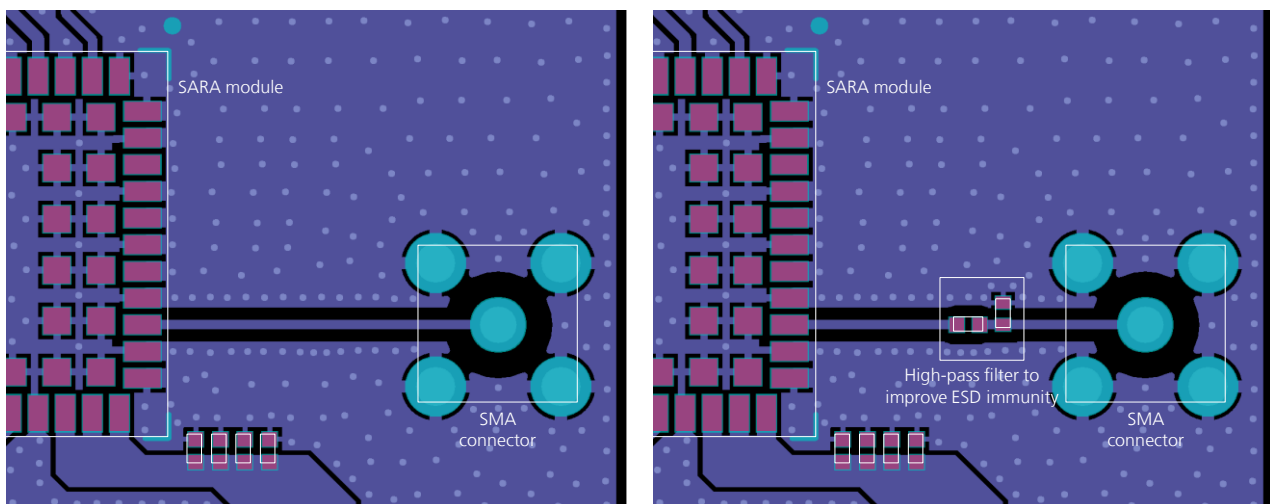


Figure 32: Example of circuit and layout for antenna RF circuits on the application board

### Guidelines for RF termination design

The RF termination must provide a characteristic impedance of  $50\ \Omega$  as well as the RF transmission line up to the RF termination, to match the characteristic impedance of the **ANT** port.

However, real antennas do not have a perfect  $50\ \Omega$  load on all the supported frequency bands. So to reduce as much as possible any performance degradation due to antenna mismatching, the RF termination must provide optimal return loss (or VSWR) figures over all the operating frequencies, as summarized in Table 7.

If an external antenna is used, the antenna connector represents the RF termination on the PCB:

- Use suitable a  $50\ \Omega$  connector providing a clean PCB-to-RF-cable transition.
- Strictly follow the connector manufacturer's recommended layout, for example:
  - SMA Pin-Through-Hole connectors require a GND keep-out (i.e. clearance, a void area) on all the layers around the central pin up to the annular pads of the four GND posts, as shown in Figure 32
  - U.FL surface mounted connectors require no conductive traces (i.e. clearance, a void area) in the area below the connector between the GND land pads.
- Cut out the GND layer under the RF connector and close to any buried vias, to remove stray capacitance and thus keep the RF line at  $50\ \Omega$ , e.g. the active pad of UFL connector needs to have a GND keep-out (i.e. clearance, a void area) at least on the first inner layer to reduce parasitic capacitance to ground.

If an integrated antenna is used, the integrated antenna represents the RF terminations. The following guidelines should be followed:

- Use an antenna designed by an antenna manufacturer providing the best possible return loss (or VSWR).
- Provide a ground plane large enough according to the relative integrated antenna requirements. The ground plane of the application PCB can be reduced down to a minimum size that must be similar to one quarter of wavelength of the minimum frequency that needs to be radiated. As numerical example,  
     Frequency = 750 MHz → Wavelength = 40 cm → Minimum GND plane size = 10 cm
- It is highly recommended to strictly follow the detailed and specific guidelines provided by the antenna manufacturer regarding correct installation and deployment of the antenna system, including the PCB layout and matching circuitry.
- Further to the custom PCB and product restrictions, the antenna may require a tuning to comply with all the applicable required certification schemes. It is recommended to consult the antenna manufacturer for the design-in guidelines for the antenna matching relative to the custom application.

Additionally, these recommendations regarding the antenna system placement must be followed:

- Do not place the antenna within a closed metal case.
- Do not place the antenna in close vicinity to the end user since the emitted radiation in human tissue is restricted by regulatory requirements.
- Place the antenna far from sensitive analog systems or employ countermeasures to reduce EMC issues.
- Be aware of interaction between co-located RF systems since the LTE transmitted power may interact or disturb the performance of companion systems.

## Examples of antennas

Table 22 lists some examples of possible internal on-board surface-mount antennas.

Manufacturer	Part Number	Product Name	Description
Taoglas	PA.710.A	Warrior	GSM / WCDMA / LTE SMD Antenna 698..960 MHz, 1710..2170 MHz, 2300..2400 MHz, 2490..2690 MHz 40.0 x 6.0 x 5.0 mm
Taoglas	PCS.06.A	Havok	GSM / WCDMA / LTE SMD Antenna 698..960 MHz, 1710..2170 MHz, 2500..2690 MHz 42.0 x 10.0 x 3.0 mm
Taoglas	MCS6.A		GSM / WCDMA / LTE SMD Antenna 698..960 MHz, 1710..2690 MHz 42.0 x 10.0 x 3.0 mm
Antenova	SR4L002	Lucida	GSM / WCDMA / LTE SMD Antenna 698..960 MHz, 1710..2170 MHz, 2300..2400 MHz, 2490..2690 MHz 35.0 x 8.5 x 3.2 mm
Ethertronics	P822601		GSM / WCDMA / LTE SMD Antenna 698..960 MHz, 1710..2170 MHz, 2490..2700 MHz 50.0 x 8.0 x 3.2 mm
Ethertronics	P822602		GSM / WCDMA / LTE SMD Antenna 698..960 MHz, 1710..2170 MHz, 2490..2700 MHz 50.0 x 8.0 x 3.2 mm
Ethertronics	1002436		GSM / WCDMA / LTE Vertical Mount Antenna 698..960 MHz, 1710..2700 MHz 50.6 x 19.6 x 1.6 mm
Pulse	W3796	Domino	GSM / WCDMA / LTE SMD Antenna 698..960 MHz, 1427..1661 MHz, 1695..2200 MHz, 2300..2700 MHz 42.0 x 10.0 x 3.0 mm
TE Connectivity	2118310-1		GSM / WCDMA / LTE Vertical Mount Antenna 698..960 MHz, 1710..2170 MHz, 2300..2700 MHz 74.0 x 10.6 x 1.6 mm
Molex	1462000001		GSM / WCDMA / LTE SMD Antenna 698..960 MHz, 1700..2700 MHz 40.0 x 5.0 x 5.0 mm
Cirocomm	DPAN0S07		GSM / WCDMA / LTE SMD Antenna 698..960 MHz, 1710..2170 MHz, 2500..2700 MHz 37.0 x 5.0 x 5.0 mm

**Table 22: Examples of internal surface-mount antennas**

Table 23 lists some examples of possible internal off-board PCB-type antennas with cable and connector.

Manufacturer	Part Number	Product Name	Description
Taoglas	FXUB63.07.0150C		GSM / WCDMA / LTE PCB Antenna with cable and U.FL 698..960 MHz, 1575.42 MHz, 1710..2170 MHz, 2400..2690 MHz 96.0 x 21.0 mm
Taoglas	FXUB66.07.0150C	Maximus	GSM / WCDMA / LTE PCB Antenna with cable and U.FL 698..960 MHz, 1390..1435 MHz, 1575.42 MHz, 1710..2170 MHz, 2400..2700 MHz, 3400..3600 MHz, 4800..6000 MHz 120.2 x 50.4 mm
Antenova	SRFL029	Moseni	GSM / WCDMA / LTE Antenna on flexible PCB with cable and U.FL 689..960 MHz, 1710..2170 MHz, 2300..2400 MHz, 2500..2690 MHz 110.0 x 20.0 mm
Antenova	SRFL026	Mitis	GSM / WCDMA / LTE Antenna on flexible PCB with cable and U.FL 689..960 MHz, 1710..2170 MHz, 2300..2400 MHz, 2500..2690 MHz 110.0 x 20.0 mm
Ethertronics	1002289		GSM / WCDMA / LTE Antenna on flexible PCB with cable and U.FL 698..960 MHz, 1710..2700 MHz 140.0 x 75.0 mm
EAD	FSQS35241-UF-10	SQ7	GSM / WCDMA / LTE PCB Antenna with cable and U.FL 690..960 MHz, 1710..2170 MHz, 2500..2700 MHz 110.0 x 21.0 mm

**Table 23: Examples of internal antennas with cable and connector**

Table 24 lists some examples of possible external antennas.

Manufacturer	Part Number	Product Name	Description
Taoglas	GSA.8827.A.101111	Phoenix	GSM / WCDMA / LTE adhesive-mount antenna with cable and SMA(M) 698..960 MHz, 1575.42 MHz, 1710..2170 MHz, 2490..2690 MHz 105 x 30 x 7.7 mm
Taoglas	TG.30.8112		GSM / WCDMA / LTE swivel dipole antenna with SMA(M) 698..960 MHz, 1575.42 MHz, 1710..2170 MHz, 2400..2700 MHz 148.6 x 49 x 10 mm
Taoglas	MA241.BI.001	Genesis	GSM / WCDMA / LTE MIMO 2in1 adhesive-mount combination antenna waterproof IP67 rated with cable and SMA(M) 698..960 MHz, 1710..2170 MHz, 2400..2700 MHz 205.8 x 58 x 12.4 mm
Laird Tech.	TRA6927M3PW-001		GSM / WCDMA / LTE screw-mount antenna with N-type(F) 698..960 MHz, 1710..2170 MHz, 2300..2700 MHz 83.8 x Ø 36.5 mm
Laird Tech.	CMS69273		GSM / WCDMA / LTE ceiling-mount antenna with cable and N-type(F) 698..960 MHz, 1575.42 MHz, 1710..2700 MHz 86 x Ø 199 mm
Laird Tech.	OC69271-FNM		GSM / WCDMA / LTE pole-mount antenna with N-type(M) 698..960 MHz, 1710..2690 MHz 248 x Ø 24.5 mm
Pulse Electronics	WA700/2700SMA		GSM / WCDMA / LTE clip-mount MIMO antenna with cables and SMA(M) 698..960 MHz, 1710..2700 MHz 149 x 127 x 5.1 mm

**Table 24: Examples of external antennas**

## 2.4.2 Antenna detection interface (ANT\_DET)

### 2.4.2.1 Guidelines for ANT\_DET circuit design

Figure 33 and Table 25 describe the recommended schematic / components for the antenna detection circuit that must be provided on the application board and for the diagnostic circuit that must be provided on the antenna's assembly to achieve primary and secondary antenna detection functionality.

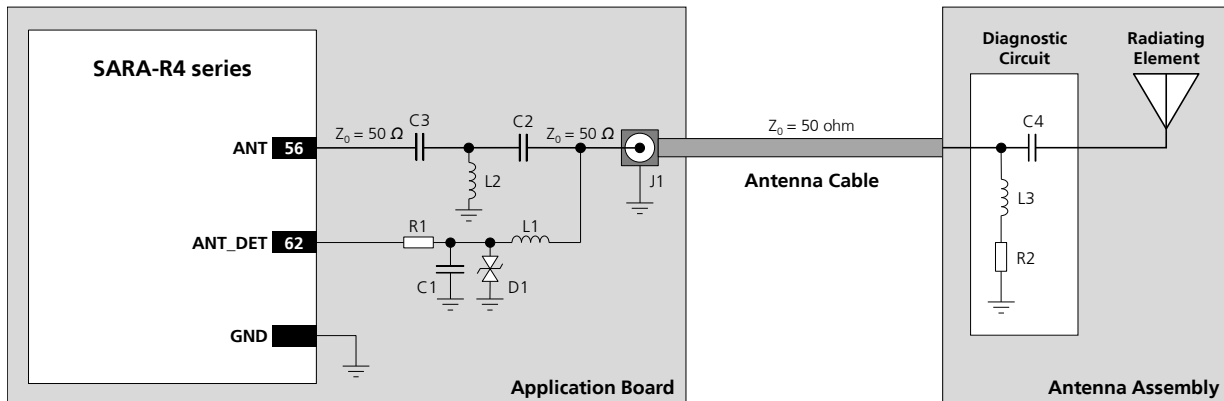


Figure 33: Suggested schematic for antenna detection circuit on application board and diagnostic circuit on antenna assembly

Reference	Description	Part Number - Manufacturer
C1	27 pF Capacitor Ceramic C0G 0402 5% 50 V	GRM1555C1H270J - Murata
C2	33 pF Capacitor Ceramic C0G 0402 5% 50 V	GRM1555C1H330J - Murata
D1	Very Low Capacitance ESD Protection	PESD0402-140 - Tyco Electronics
L1	68 nH Multilayer Inductor 0402 (SRF ~1 GHz)	LQG15HS68NJ02 - Murata
R1	10 kΩ Resistor 0402 1% 0.063 W	RK73H1ETTP1002F - KOA Speer
J1	SMA Connector 50 Ω Through Hole Jack	SMA6251A1-3GT50G-50 - Amphenol
C3	15 pF Capacitor Ceramic C0G 0402 5% 50 V	GRM1555C1H150J - Murata
L2	39 nH Multilayer Inductor 0402 (SRF ~1 GHz)	LQG15HN39NJ02 - Murata
C4	22 pF Capacitor Ceramic C0G 0402 5% 25 V	GRM1555C1H220J - Murata
L3	68 nH Multilayer Inductor 0402 (SRF ~1 GHz)	LQG15HS68NJ02 - Murata
R2	15 kΩ Resistor for Diagnostics	Various Manufacturers

Table 25: Suggested components for antenna detection circuit on application board and diagnostic circuit on antennas assembly

The antenna detection circuit and diagnostic circuit suggested in Figure 33 and Table 25 are here explained:

- When antenna detection is forced by the +UANTR AT command, the **ANT\_DET** pin generates a DC current measuring the resistance (R2) from the antenna connector (J1) provided on the application board to GND.
- DC blocking capacitors are needed at the **ANT** pin (C2) and at the antenna radiating element (C4) to decouple the DC current generated by the **ANT\_DET** pin.
- Choke inductors with a Self Resonance Frequency (SRF) in the range of 1 GHz are needed in series at the **ANT\_DET** pin (L1) and in series at the diagnostic resistor (L3), to avoid a reduction of the RF performance of the system, improving the RF isolation of the load resistor.
- Resistor on the **ANT\_DET** path (R1) is needed for accurate measurements through the +UANTR AT command. It also acts as an ESD protection.
- Additional components (C1 and D1 in Figure 33) are needed at the **ANT\_DET** pin as ESD protection.
- Additional high pass filter (C3 and L2 in Figure 33) is provided at the **ANT** pin as ESD immunity improvement
- The **ANT** pin must be connected to the antenna connector by means of a transmission line with nominal characteristics impedance as close as possible to 50 Ω.



The DC impedance at RF port for some antennas may be a DC open (e.g. linear monopole) or a DC short to reference GND (e.g. PIFA antenna). For those antennas, without the diagnostic circuit of Figure 33, the measured DC resistance is always at the limits of the measurement range (respectively open or short), and there is no mean to distinguish between a defect on antenna path with similar characteristics (respectively: removal of linear antenna or RF cable shorted to GND for PIFA antenna).

Furthermore, any other DC signal injected to the RF connection from ANT connector to radiating element will alter the measurement and produce invalid results for antenna detection.



It is recommended to use an antenna with a built-in diagnostic resistor in the range from 5 k $\Omega$  to 30 k $\Omega$  to assure good antenna detection functionality and avoid a reduction of module RF performance. The choke inductor should exhibit a parallel Self Resonance Frequency (SRF) in the range of 1 GHz to improve the RF isolation of load resistor.

For example:

Consider an antenna with built-in DC load resistor of 15 k $\Omega$ . Using the +UANTR AT command, the module reports the resistance value evaluated from the antenna connector provided on the application board to GND:

- Reported values close to the used diagnostic resistor nominal value (i.e. values from 13 k $\Omega$  to 17 k $\Omega$  if a 15 k $\Omega$  diagnostic resistor is used) indicate that the antenna is correctly connected.
- Values close to the measurement range maximum limit (approximately 50 k $\Omega$ ) or an open-circuit “over range” report (see the SARA-R4 series AT Commands Manual [2]) means that the antenna is not connected or the RF cable is broken.
- Reported values below the measurement range minimum limit (1 k $\Omega$ ) highlights a short to GND at antenna or along the RF cable.
- Measurement inside the valid measurement range and outside the expected range may indicate an unclear connection, a damaged antenna or incorrect value of the antenna load resistor for diagnostics.
- Reported value could differ from the real resistance value of the diagnostic resistor mounted inside the antenna assembly due to antenna cable length, antenna cable capacity and the used measurement method.



If the antenna detection function is not required by the customer application, the **ANT\_DET** pin can be left not connected and the **ANT** pin can be directly connected to the antenna connector by means of a 50  $\Omega$  transmission line as described in Figure 32.

### 2.4.2.2 Guidelines for ANT\_DET layout design

Figure 34 describes the recommended layout for the antenna detection circuit to be provided on the application board to achieve antenna detection functionality, implementing the recommended schematic described in the previous Figure 33 and Table 25:

- The **ANT** pin must be connected to the antenna connector by means of a 50  $\Omega$  transmission line, implementing the design guidelines described in section 2.4.1 and the recommendations of the SMA connector manufacturer.
- DC blocking capacitor at **ANT** pin (C2) must be be placed in series to the 50  $\Omega$  RF line.
- The **ANT\_DET** pin must be connected to the 50  $\Omega$  transmission line by means of a sense line.
- Choke inductor in series at the **ANT\_DET** pin (L1) must be placed so that one pad is on the 50  $\Omega$  transmission line and the other pad represents the start of the sense line to the **ANT\_DET** pin.
- The additional components (R1, C1 and D1) on the **ANT\_DET** line must be placed as ESD protection.
- The additional high pass filter (C3 and L2) on the **ANT** line are placed as ESD immunity improvement

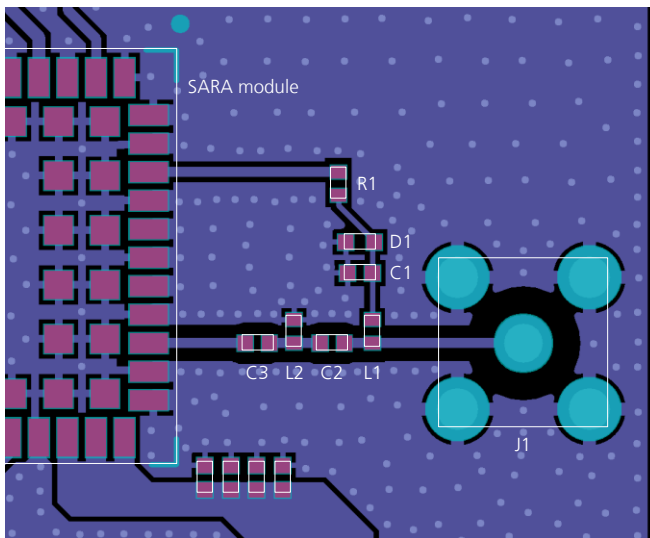


Figure 34: Suggested layout for antenna detection circuit on application board

## 2.5 SIM interface

### 2.5.1 Guidelines for SIM circuit design

#### Guidelines for SIM cards, SIM connectors and SIM chips selection

The ISO/IEC 7816, the ETSI TS 102 221 and the ETSI TS 102 671 specifications define the physical, electrical and functional characteristics of Universal Integrated Circuit Cards (UICC), which contains the Subscriber Identification Module (SIM) integrated circuit that securely stores all the information needed to identify and authenticate subscribers over the LTE network.

Removable UICC / SIM card contacts mapping is defined by ISO/IEC 7816 and ETSI TS 102 221 as follows:

- Contact C1 = VCC (Supply) → It must be connected to **VSIM**
- Contact C2 = RST (Reset) → It must be connected to **SIM\_RST**
- Contact C3 = CLK (Clock) → It must be connected to **SIM\_CLK**
- Contact C4 = AUX1 (Auxiliary contact) → It must be left not connected
- Contact C5 = GND (Ground) → It must be connected to **GND**
- Contact C6 = VPP (Programming supply) → It can be left not connected
- Contact C7 = I/O (Data input/output) → It must be connected to **SIM\_IO**
- Contact C8 = AUX2 (Auxiliary contact) → It must be left not connected

A removable SIM card can have 6 contacts (C1, C2, C3, C5, C6, C7) or 8 contacts, also including the auxiliary contacts C4 and C8. Only 6 contacts are required and must be connected to the module SIM interface.

Removable SIM cards are suitable for applications requiring a change of SIM card during the product lifetime.

A SIM card holder can have 6 or 8 positions if a mechanical card presence detector is not provided, or it can have 6+2 or 8+2 positions if two additional pins relative to the normally-open mechanical switch integrated in the SIM connector for the mechanical card presence detection are provided. Select a SIM connector providing 6+2 or 8+2 positions if the optional SIM detection feature is required by the custom application, otherwise a connector without integrated mechanical presence switch can be selected.

Solderable UICC / SIM chip contact mapping (M2M UICC Form Factor) is defined by ETSI TS 102 671 as:

- Case Pin 8 = UICC Contact C1 = VCC (Supply) → It must be connected to **VSIM**
- Case Pin 7 = UICC Contact C2 = RST (Reset) → It must be connected to **SIM\_RST**
- Case Pin 6 = UICC Contact C3 = CLK (Clock) → It must be connected to **SIM\_CLK**
- Case Pin 5 = UICC Contact C4 = AUX1 (Aux.contact) → It must be left not connected
- Case Pin 1 = UICC Contact C5 = GND (Ground) → It must be connected to **GND**
- Case Pin 2 = UICC Contact C6 = VPP (Progr. supply) → It can be left not connected
- Case Pin 3 = UICC Contact C7 = I/O (Data I/O) → It must be connected to **SIM\_IO**
- Case Pin 4 = UICC Contact C8 = AUX2 (Aux. contact) → It must be left not connected

A solderable SIM chip has 8 contacts and can also include the auxiliary contacts C4 and C8 for other uses, but only 6 contacts are required and must be connected to the module SIM card interface as described above.

Solderable SIM chips are suitable for M2M applications where it is not required to change the SIM once installed.

### Guidelines for single SIM card connection without detection

A removable SIM card placed in a SIM card holder must be connected to the SIM card interface of SARA-R4 series modules as described in Figure 35, where the optional SIM detection feature is not implemented.

Follow these guidelines to connect the module to a SIM connector without SIM presence detection:

- Connect the UICC / SIM contacts C1 (VCC) to the **VSIM** pin of the module.
- Connect the UICC / SIM contact C7 (I/O) to the **SIM\_IO** pin of the module.
- Connect the UICC / SIM contact C3 (CLK) to the **SIM\_CLK** pin of the module.
- Connect the UICC / SIM contact C2 (RST) to the **SIM\_RST** pin of the module.
- Connect the UICC / SIM contact C5 (GND) to ground.
- Provide a 100 nF bypass capacitor (e.g. Murata GRM155R71C104K) on SIM supply line, close to the relative pad of the SIM connector, to prevent digital noise.
- Provide a bypass capacitor of about 22 pF to 47 pF (e.g. Murata GRM1555C1H470J) on each SIM line, very close to each related pad of the SIM connector, to prevent RF coupling especially in case the RF antenna is placed closer than 10 - 30 cm from the SIM card holder.
- Provide a very low capacitance (i.e. less than 10 pF) ESD protection (e.g. Tyco PESD0402-140) on each externally accessible SIM line, close to each relative pad of the SIM connector. ESD sensitivity rating of the SIM interface pins is 1 kV (HBM). So that, according to EMC/ESD requirements of the custom application, higher protection level can be required if the lines are externally accessible on the application device.
- Limit capacitance and series resistance on each SIM signal to match the SIM requirements (18.7 ns is the maximum allowed rise time on clock line, 1.0  $\mu$ s is the maximum allowed rise time on data and reset lines).

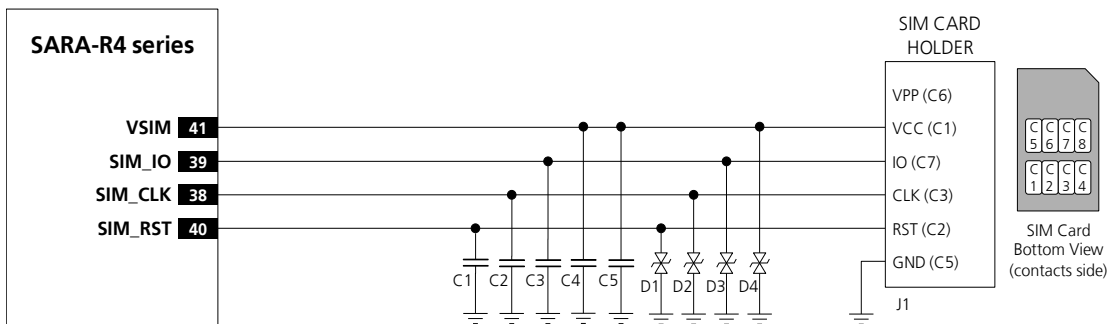


Figure 35: Application circuits for the connection to a single removable SIM card, with SIM detection not implemented

Reference	Description	Part Number - Manufacturer
C1, C2, C3, C4	47 pF Capacitor Ceramic COG 0402 5% 50 V	GRM1555C1H470JA01 - Murata
C5	100 nF Capacitor Ceramic X7R 0402 10% 16 V	GRM155R71C104KA01 - Murata
D1, D2, D3, D4	Very Low Capacitance ESD Protection	PESD0402-140 - Tyco Electronics
J1	SIM Card Holder, 6 p, without card presence switch	Various manufacturers, as C707 10M006 136 2 - Amphenol

Table 26: Example of components for the connection to a single removable SIM card, with SIM detection not implemented

### Guidelines for single SIM chip connection

A solderable SIM chip (M2M UICC Form Factor) must be connected the SIM card interface of SARA-R4 series modules as described in Figure 36.

Follow these guidelines to connect the module to a solderable SIM chip without SIM presence detection:

- Connect the UICC / SIM contacts C1 (VCC) to the **VSIM** pin of the module.
- Connect the UICC / SIM contact C7 (I/O) to the **SIM\_IO** pin of the module.
- Connect the UICC / SIM contact C3 (CLK) to the **SIM\_CLK** pin of the module.
- Connect the UICC / SIM contact C2 (RST) to the **SIM\_RST** pin of the module.
- Connect the UICC / SIM contact C5 (GND) to ground.
- Provide a 100 nF bypass capacitor (e.g. Murata GRM155R71C104K) at the SIM supply line close to the relative pad of the SIM chip, to prevent digital noise.
- Provide a bypass capacitor of about 22 pF to 47 pF (e.g. Murata GRM1555C1H470J) on each SIM line, to prevent RF coupling especially in case the RF antenna is placed closer than 10 - 30 cm from the SIM lines.
- Limit capacitance and series resistance on each SIM signal to match the SIM requirements (18.7 ns is the maximum allowed rise time on clock line, 1.0  $\mu$ s is the maximum allowed rise time on data and reset lines).

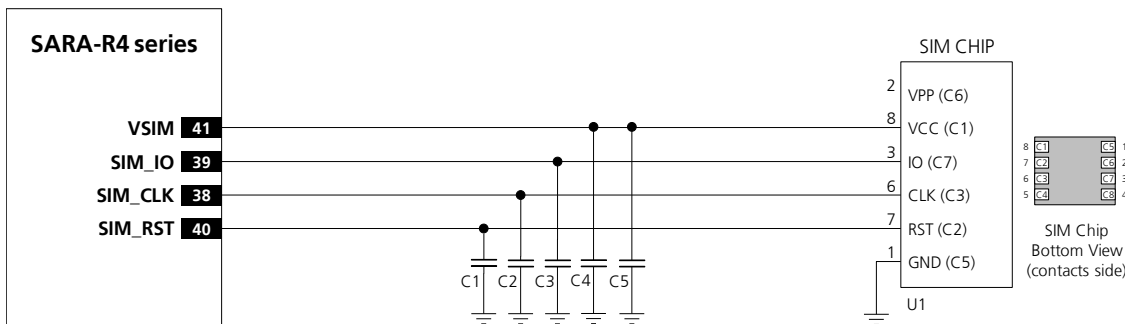


Figure 36: Application circuits for the connection to a single solderable SIM chip, with SIM detection not implemented

Reference	Description	Part Number - Manufacturer
C1, C2, C3, C4	47 pF Capacitor Ceramic COG 0402 5% 50 V	GRM1555C1H470JA01 - Murata
C5	100 nF Capacitor Ceramic X7R 0402 10% 16 V	GRM155R71C104KA01 - Murata
U1	SIM chip (M2M UICC Form Factor)	Various Manufacturers

Table 27: Example of components for the connection to a single solderable SIM chip, with SIM detection not implemented

### Guidelines for single SIM card connection with detection

An application circuit for the connection to a single removable SIM card placed in a SIM card holder is described in Figure 37, where the optional SIM card detection feature is implemented.

Follow these guidelines connecting the module to a SIM connector implementing SIM presence detection:

- Connect the UICC / SIM contacts C1 (VCC) to the **VSIM** pin of the module.
- Connect the UICC / SIM contact C7 (I/O) to the **SIM\_IO** pin of the module.
- Connect the UICC / SIM contact C3 (CLK) to the **SIM\_CLK** pin of the module.
- Connect the UICC / SIM contact C2 (RST) to the **SIM\_RST** pin of the module.
- Connect the UICC / SIM contact C5 (GND) to ground.
- Connect one pin of the normally-open mechanical switch integrated in the SIM connector (as the SW2 pin in Figure 37) to the **GPIO5** input pin, providing a weak pull-down resistor (e.g. 470 kΩ, as R2 in Figure 37).
- Connect the other pin of the normally-open mechanical switch integrated in the SIM connector (SW1 pin in Figure 37) to **V\_INT** 1.8 V supply output by means of a strong pull-up resistor (e.g. 1 kΩ, as R1 in Figure 37)
- Provide a 100 nF bypass capacitor (e.g. Murata GRM155R71C104K) at the SIM supply line (**VSIM**), close to the related pad of the SIM connector, to prevent digital noise.
- Provide a bypass capacitor of about 22 pF to 47 pF (e.g. Murata GRM1555C1H470J) on each SIM line (**VSIM**, **SIM\_CLK**, **SIM\_IO**, **SIM\_RST**), very close to each related pad of the SIM connector, to prevent RF coupling especially in case the RF antenna is placed closer than 10 - 30 cm from the SIM card holder.
- Provide a low capacitance (i.e. less than 10 pF) ESD protection (e.g. Tyco Electronics PESD0402-140) on each externally accessible SIM line, close to each related pad of the SIM connector. The ESD sensitivity rating of SIM interface pins is 1 kV (HBM according to JESD22-A114), so that, according to the EMC/ESD requirements of the custom application, higher protection level can be required if the lines are externally accessible.
- Limit capacitance and series resistance on each SIM signal to match the requirements for the SIM interface (18.7 ns = maximum rise time on **SIM\_CLK**, 1.0 μs = maximum rise time on **SIM\_IO** and **SIM\_RST**).

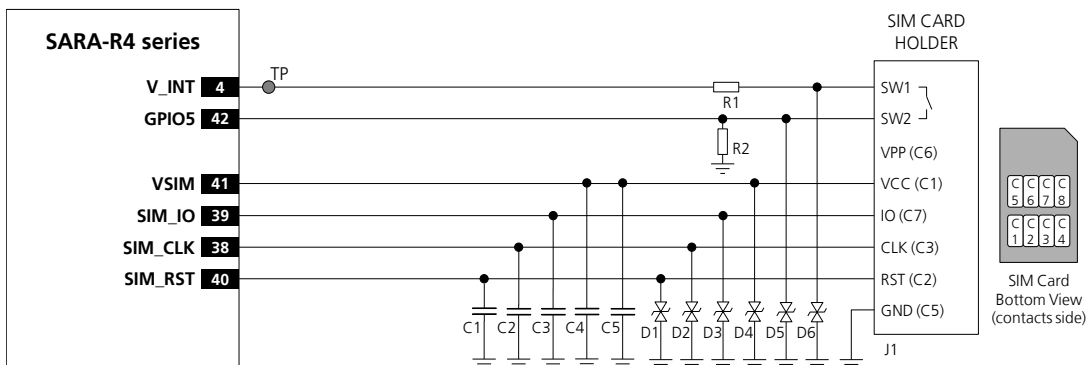


Figure 37: Application circuit for the connection to a single removable SIM card, with SIM detection implemented

Reference	Description	Part Number - Manufacturer
C1, C2, C3, C4	47 pF Capacitor Ceramic C0G 0402 5% 50 V	GRM1555C1H470JA01 - Murata
C5	100 nF Capacitor Ceramic X7R 0402 10% 16 V	GRM155R71C104KA01 - Murata
D1 – D6	Very Low Capacitance ESD Protection	PESD0402-140 - Tyco Electronics
R1	1 kΩ Resistor 0402 5% 0.1 W	RC0402JR-071KL - Yageo Phycomp
R2	470 kΩ Resistor 0402 5% 0.1 W	RC0402JR-07470KL- Yageo Phycomp
J1	SIM Card Holder 6 + 2 positions, with card presence switch	Various Manufacturers, CCM03-3013LFT R102 - C&K Components

Table 28: Example of components for the connection to a single removable SIM card, with SIM detection implemented

## 2.5.2 Guidelines for SIM layout design

The layout of the SIM card interface lines (**VSIM**, **SIM\_CLK**, **SIM\_IO**, **SIM\_RST**) may be critical if the SIM card is placed far away from the SARA-R4 series modules or in close proximity to the RF antenna: these two cases should be avoided or at least mitigated as described below.

In the first case, the long connection can cause the radiation of some harmonics of the digital data frequency as any other digital interface. It is recommended to keep the traces short and avoid coupling with RF line or sensitive analog inputs.

In the second case, the same harmonics can be picked up and create self-interference that can reduce the sensitivity of LTE receiver channels whose carrier frequency is coincidental with harmonic frequencies. It is strongly recommended to place the RF bypass capacitors suggested in Figure 35 near the SIM connector.

In addition, since the SIM card is typically accessed by the end user, it can be subjected to ESD discharges. Add adequate ESD protection as suggested to protect module SIM pins near the SIM connector.

Limit capacitance and series resistance on each SIM signal to match the SIM specifications. The connections should always be kept as short as possible.

Avoid coupling with any sensitive analog circuit, since the SIM signals can cause the radiation of some harmonics of the digital data frequency.

## 2.6 Data communication interfaces

### 2.6.1 UART interface

#### 2.6.1.1 Guidelines for UART circuit design

##### Providing the full RS-232 functionality (using the complete V.24 link)<sup>7</sup>

If RS-232 compatible signal levels are needed, two different external voltage translators can be used to provide full RS-232 (9 lines) functionality: e.g. using the Texas Instruments SN74AVC8T245PW for the translation from 1.8 V to 3.3 V, and the Maxim MAX3237E for the translation from 3.3 V to RS-232 compatible signal level.

If a 1.8 V Application Processor (DTE) is used and complete RS-232 functionality is required, then the complete 1.8 V UART interface of the module (DCE) should be connected to a 1.8 V DTE, as described in Figure 38.

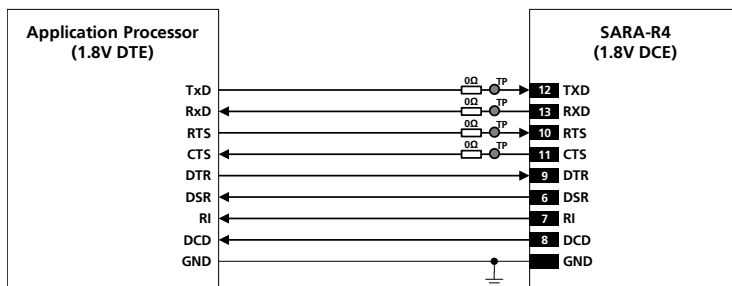


Figure 38: UART interface application circuit with complete V.24 link in DTE/DCE serial communication (1.8V DTE)

If a 3.0 V Application Processor (DTE) is used, then it is recommended to connect the 1.8 V UART interface of the module (DCE) by means of appropriate unidirectional voltage translators using the module **V\_INT** output as 1.8 V supply for the voltage translators on the module side, as described in Figure 39.

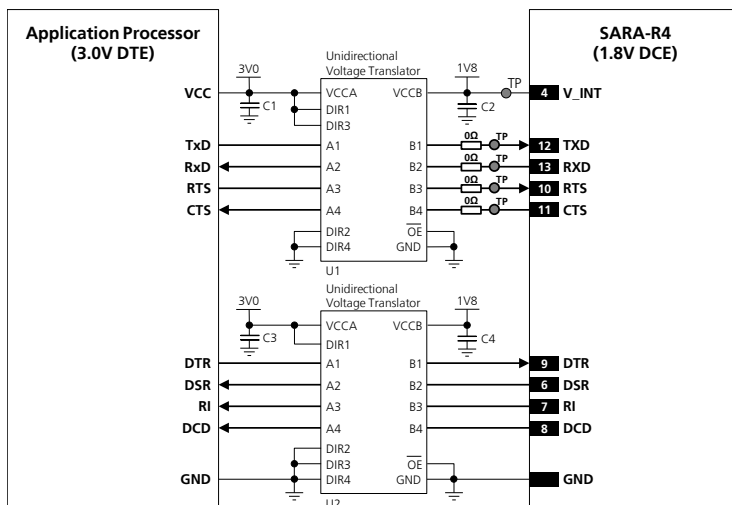


Figure 39: UART interface application circuit with complete V.24 link in DTE/DCE serial communication (3.0 V DTE)

Reference	Description	Part Number - Manufacturer
C1, C2, C3, C4	100 nF Capacitor Ceramic X7R 0402 10% 16 V	GRM155R61A104KA01 - Murata
U1, U2	Unidirectional Voltage Translator	SN74AVC4T774 <sup>8</sup> - Texas Instruments

Table 29: Component for UART application circuit with complete V.24 link in DTE/DCE serial communication (3.0 V DTE)

<sup>7</sup> Flow control is not supported by '00', '01' and SARA-R410M-02B product versions, but the **RTS** input must be set low to use the UART on '00' and '01' versions. The **DTR** input of the module must be set low to have URCs presented over UART on '00', '01' and '02' product versions.

<sup>8</sup> Voltage translator providing partial power down feature so that the DTE 3 V supply can be also ramped up before **V\_INT** 1.8 V supply



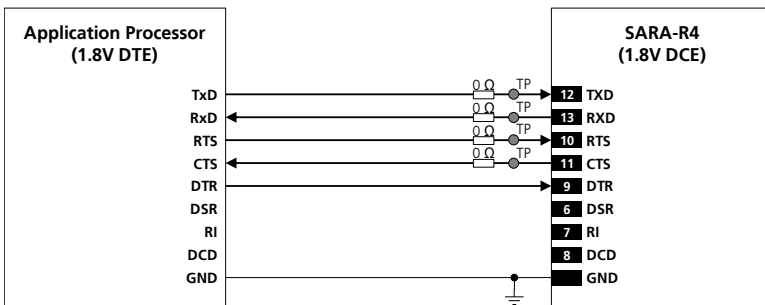
**Providing the TXD, RXD, RTS, CTS and DTR lines only (not using the complete V.24 link)<sup>9</sup>**

If the functionality of the **DSR**, **DCD** and **RI** lines is not required, or the lines are not available:

- Leave **DSR**, **DCD** and **RI** lines of the module floating, with a test-point on **DCD**

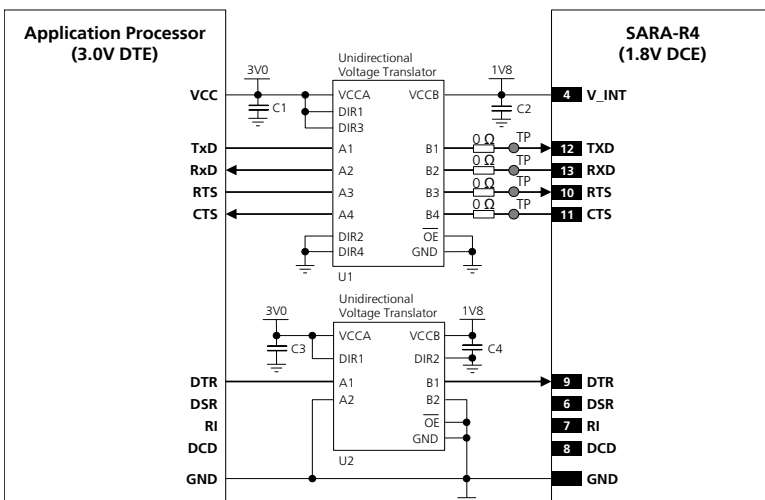
If RS-232 compatible signal levels are needed, two different external voltage translators (e.g. Maxim MAX3237E and Texas Instruments SN74AVC4T774) can be used. The Texas Instruments chips provide the translation from 1.8 V to 3.3 V, while the Maxim chip provides the translation from 3.3 V to RS-232 compatible signal level.

Figure 40 describes the circuit that should be implemented as if a 1.8 V Application Processor (DTE) is used, given that the DTE will behave correctly regardless of the **DSR** input setting.



**Figure 40: UART interface application circuit with partial V.24 link (6-wire) in the DTE/DCE serial communication (1.8 V DTE)**

If a 3.0 V Application Processor (DTE) is used, then it is recommended to connect the 1.8 V UART interface of the module (DCE) by means of appropriate unidirectional voltage translators using the module **V\_INT** output as 1.8 V supply for the voltage translators on the module side, as described in Figure 41, given that the DTE will behave correctly regardless of the **DSR** input setting.



**Figure 41: UART interface application circuit with partial V.24 link (6-wire) in DTE/DCE serial communication (3.0 V DTE)**

Reference	Description	Part Number - Manufacturer
C1, C2, C3, C4	100 nF Capacitor Ceramic X7R 0402 10% 16 V	GRM155R61A104KA01 - Murata
U1	Unidirectional Voltage Translator	SN74AVC4T774 <sup>10</sup> - Texas Instruments
U2	Unidirectional Voltage Translator	SN74AVC2T245 <sup>10</sup> - Texas Instruments

**Table 30: Components for UART application circuit with partial V.24 link (6-wire) in DTE/DCE serial communication (3.0 V DTE)**

<sup>9</sup> Flow control is not supported by '00', '01' and SARA-R410M-02B product versions, but the **RTS** input must be set low to use the UART on '00' and '01' versions. The **DTR** input of the module must be set low to have URCs presented over UART on '00', '01' and '02' product versions.

<sup>10</sup> Voltage translator providing partial power down feature so that the DTE 3 V supply can be also ramped up before the **V\_INT** 1.8 V supply

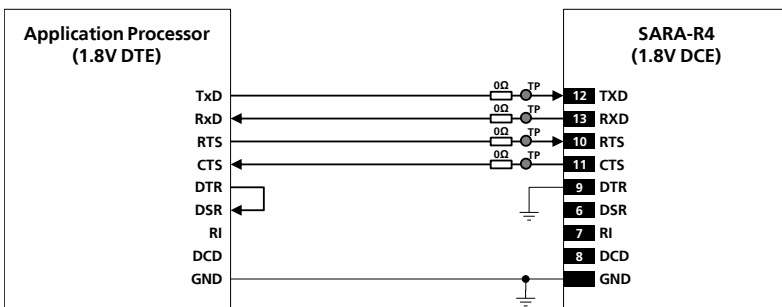
**Providing the TXD, RXD, RTS and CTS lines only (not using the complete V.24 link)<sup>11</sup>**

If the functionality of the **DSR**, **DCD**, **RI** and **DTR** lines is not required, or the lines are not available:

- Connect the module **DTR** input to GND using a 0 Ω series resistor, since it may be useful to set **DTR** active if not specifically handled, in particular to have URCs presented over the UART interface (see the SARA-R4 series AT Commands Manual [1] for the &D, S0, +CNMI AT commands)
- Leave **DSR**, **DCD** and **RI** lines of the module floating, with a test-point on **DCD**

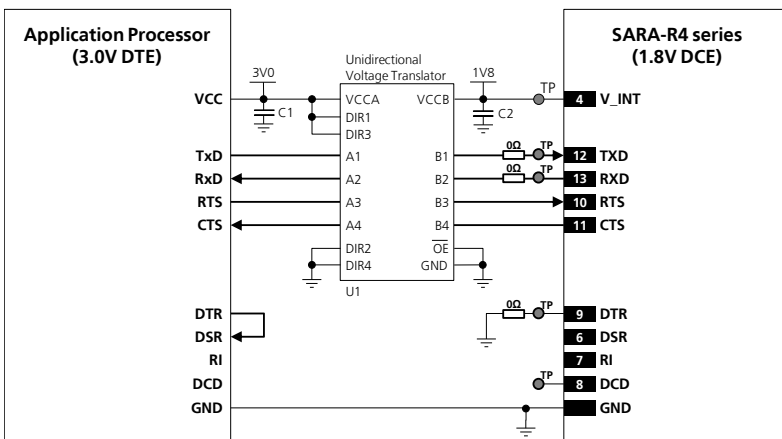
If RS-232 compatible signal levels are needed, the Maxim MAX13234E voltage level translator can be used. This chip translates voltage levels from 1.8 V (module side) to the RS-232 standard.

If a 1.8 V Application Processor is used, the circuit should be implemented as described in Figure 42.



**Figure 42: UART interface application circuit with a partial V.24 link (5-wire) in the DTE/DCE serial communication (1.8V DTE)**

If a 3.0 V Application Processor (DTE) is used, then it is recommended to connect the 1.8 V UART interface of the module (DCE) by means of appropriate unidirectional voltage translators using the module **V\_INT** output as 1.8 V supply for the voltage translators on the module side, as described in Figure 43.



**Figure 43: UART interface application circuit with a partial V.24 link (5-wire) in DTE/DCE serial communication (3.0 V DTE)**

Reference	Description	Part Number - Manufacturer
C1, C2	100 nF Capacitor Ceramic X7R 0402 10% 16 V	GRM155R61A104KA01 - Murata
U1	Unidirectional Voltage Translator	SN74AVC4T774 <sup>12</sup> - Texas Instruments

**Table 31: Component for UART application circuit with a partial V.24 link (5-wire) in DTE/DCE serial communication (3.0 V DTE)**

<sup>11</sup> Flow control is not supported by '00', '01' and SARA-R410M-02B product versions, but the **RTS** input must be set low to use the UART on '00' and '01' versions. The **DTR** input of the module must be set low to have URCs presented over UART on '00', '01' and '02' product versions.

<sup>12</sup> Voltage translator providing partial power down feature so that the DTE 3 V supply can be also ramped up before the **V\_INT** 1.8 V supply

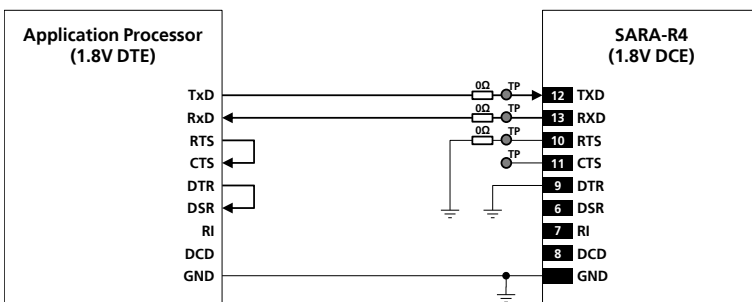
**Providing the TXD and RXD lines only (not using the complete V24 link)<sup>13</sup>**

If the functionality of the **CTS**, **RTS**, **DSR**, **DCD**, **RI** and **DTR** lines is not required in the application, or the lines are not available, then:

- Connect the module **RTS** input line to GND or to the **CTS** output line of the module, since the module requires **RTS** active (low electrical level) if HW flow-control is enabled (AT&K3, which is the default setting)
- Connect the module **DTR** input line to GND using a 0 Ω series resistor, because it is useful to set **DTR** active if not specifically handled, in particular to have URCs presented over the UART interface (see the SARA-R4 series AT Commands Manual [1] for the &D, S0, +CNMI AT commands)
- Leave **DSR**, **DCD** and **RI** lines of the module floating, with a test-point on **DCD**

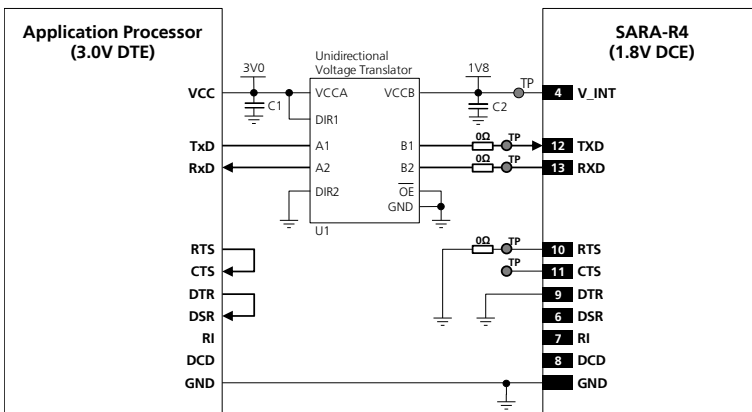
If RS-232 compatible signal levels are needed, the Maxim MAX13234E voltage level translator can be used. This chip translates voltage levels from 1.8 V (module side) to the RS-232 standard.

If a 1.8 V Application Processor (DTE) is used, the circuit that should be implemented as described in Figure 44



**Figure 44: UART interface application circuit with a partial V.24 link (3-wire) in the DTE/DCE serial communication (1.8V DTE)**

If a 3.0 V Application Processor (DTE) is used, then it is recommended to connect the 1.8 V UART interface of the module (DCE) by means of appropriate unidirectional voltage translators using the module **V\_INT** output as 1.8 V supply for the voltage translators on the module side, as described in Figure 45.



**Figure 45: UART interface application circuit with a partial V.24 link (3-wire) in DTE/DCE serial communication (3.0 V DTE)**

Reference	Description	Part Number - Manufacturer
C1, C2	100 nF Capacitor Ceramic X7R 0402 10% 16 V	GRM155R61A104KA01 - Murata
U1	Unidirectional Voltage Translator	SN74AVC2T245 <sup>14</sup> - Texas Instruments

**Table 32: Component for UART application circuit with a partial V.24 link (3-wire) in DTE/DCE serial communication (3.0 V DTE)**

<sup>13</sup> Flow control is not supported by '00', '01' and SARA-R410M-02B product versions, but the **RTS** input must be set low to use the UART on '00' and '01' versions. The **DTR** input of the module must be set low to have URCs presented over UART on '00', '01' and '02' product versions.

<sup>14</sup> Voltage translator providing partial power down feature so that the DTE 3 V supply can be also ramped up before the **V\_INT** 1.8 V supply

### Additional considerations

If a 3.0 V Application Processor (DTE) is used, the voltage scaling from any 3.0 V output of the DTE to the corresponding 1.8 V input of the module (DCE) can be implemented as an alternative low-cost solution, by means of an appropriate voltage divider. Consider the value of the pull-down / pull-up integrated at the input of the module (DCE) for the correct selection of the voltage divider resistance values. Make sure that any DTE signal connected to the module is tri-stated or set low when the module is in power-down mode and during the module power-on sequence (at least until the activation of the **V\_INT** supply output of the module), to avoid latch-up of circuits and allow a clean boot of the module (see the remark below).

Moreover, the voltage scaling from any 1.8 V output of the cellular module (DCE) to the corresponding 3.0 V input of the Application Processor (DTE) can be implemented by means of an appropriate low-cost non-inverting buffer with open drain output. The non-inverting buffer should be supplied by the **V\_INT** supply output of the cellular module. Consider the value of the pull-up integrated at each input of the DTE (if any) and the baud rate required by the application for the appropriate selection of the resistance value for the external pull-up biased by the application processor supply rail.



The **TXD** data input line has an internal active pull-down enabled on the "00" and "02" product versions, and an internal active pull-up enabled on the "01" product version.



Do not apply voltage to any UART interface pin before the switch-on of the UART supply source (**V\_INT**), to avoid latch-up of circuits and allow a clean boot of the module. If the external signals connected to the cellular module cannot be tri-stated or set low, insert a multi-channel digital switch (e.g. TI SN74CB3Q16244, TS5A3159, or TS5A63157) between the two-circuit connections and set to high impedance before **V\_INT** switch-on.



ESD sensitivity rating of the UART interface pins is 1 kV (Human Body Model according to JESD22-A114). Higher protection levels could be required if the lines are externally accessible and it can be achieved by mounting an ESD protection (e.g. EPCOS CA05P4S14THSG varistor array) close to the accessible points.

#### 2.6.1.2 Guidelines for UART layout design

The UART serial interface requires the same consideration regarding electro-magnetic interference as any other digital interface. Keep the traces short and avoid coupling with RF line or sensitive analog inputs, since the signals can cause the radiation of some harmonics of the digital data frequency.

## 2.6.2 USB interface

### 2.6.2.1 Guidelines for USB circuit design

The **USB\_D+** and **USB\_D-** lines carry the USB serial data and signaling. The lines are used in single-ended mode for full speed signaling handshake, as well as in differential mode for high speed signaling and data transfer.

USB pull-up or pull-down resistors and external series resistors on **USB\_D+** and **USB\_D-** lines as required by the USB 2.0 specification [4] are part of the module USB pins driver and do not need to be externally provided.

The USB interface of the module is enabled only if a valid voltage is detected by the **VUSB\_DET** input (see the SARA-R4 series Data Sheet [1]). Neither the USB interface nor the whole module is supplied by the **VUSB\_DET** input: the **VUSB\_DET** senses the USB supply voltage and absorbs few microamperes.

Routing the USB pins to a connector, they will be externally accessible on the application device. According to EMC/ESD requirements of the application, an additional ESD protection device with very low capacitance should be provided close to accessible point on the line connected to this pin, as described in Figure 46 and Table 33.



The USB interface pins ESD sensitivity rating is 1 kV (Human Body Model according to JESD22-A114F). Higher protection level could be required if the lines are externally accessible and it can be achieved by mounting a very low capacitance (i.e. less or equal to 1 pF) ESD protection (e.g. Tyco Electronics PESD0402-140 ESD protection device) on the lines connected to these pins, close to accessible points.

The USB pins of the modules can be directly connected to the USB host application processor without additional ESD protections if they are not externally accessible or according to EMC/ESD requirements.

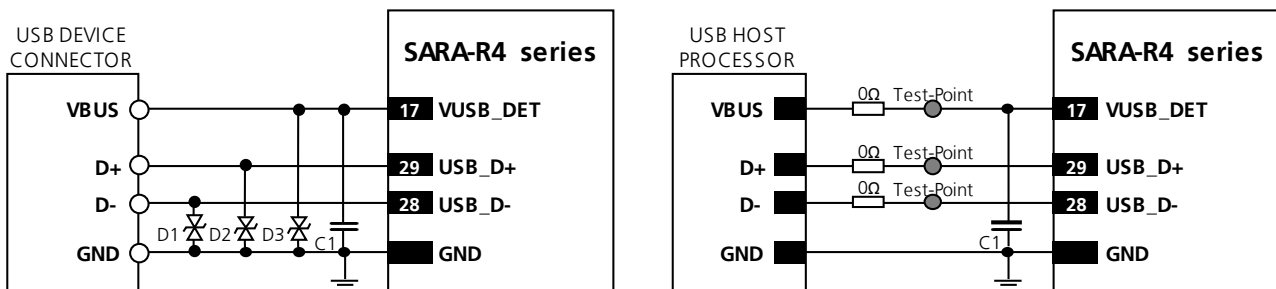


Figure 46: USB Interface application circuits

Reference	Description	Part Number - Manufacturer
C1	100 nF Capacitor Ceramic X7R 0402 10% 16 V	GRM155R61A104KA01 - Murata
D1, D2, D3	Very Low Capacitance ESD Protection	PESD0402-140 - Tyco Electronics

Table 33: Components for USB application circuits



If the USB interface is enabled, the module does not enter the low power deep sleep mode: the external USB VBUS supply voltage needs to be removed from the **VUSB\_DET** input of the module to let it enter the Power Saving Mode defined in 3GPP Rel.13.



If the USB interface pins are not used, they can be left unconnected on the application board, but it is strongly recommended to provide accessible test points directly connected to the USB interface pins (**VUSB\_DET**, **USB\_D+**, **USB\_D-**).

### 2.6.2.2 Guidelines for USB layout design

The **USB\_D+** / **USB\_D-** lines require accurate layout design to achieve reliable signaling at the high speed data rate (up to 480 Mb/s) supported by the USB serial interface.

The characteristic impedance of the **USB\_D+** / **USB\_D-** lines is specified by the Universal Serial Bus Revision 2.0 specification [4]. The most important parameter is the differential characteristic impedance applicable for the odd-mode electromagnetic field, which should be as close as possible to 90 Ω differential. Signal integrity may be degraded if PCB layout is not optimal, especially when the USB signaling lines are very long.

Use the following general routing guidelines to minimize signal quality problems:

- Route **USB\_D+** / **USB\_D-** lines as a differential pair
- Route **USB\_D+** / **USB\_D-** lines as short as possible
- Ensure the differential characteristic impedance ( $Z_0$ ) is as close as possible to 90 Ω
- Ensure the common mode characteristic impedance ( $Z_{CM}$ ) is as close as possible to 30 Ω
- Consider design rules for **USB\_D+** / **USB\_D-** similar to RF transmission lines, being them coupled differential micro-strip or buried stripline: avoid any stubs, abrupt change of layout, and route on clear PCB area

Figure 47 and Figure 48 provide two examples of coplanar waveguide designs with differential characteristic impedance close to 90 Ω and common mode characteristic impedance close to 30 Ω. The first transmission line can be implemented in case of 4-layer PCB stack-up herein described, the second transmission line can be implemented in case of 2-layer PCB stack-up herein described.

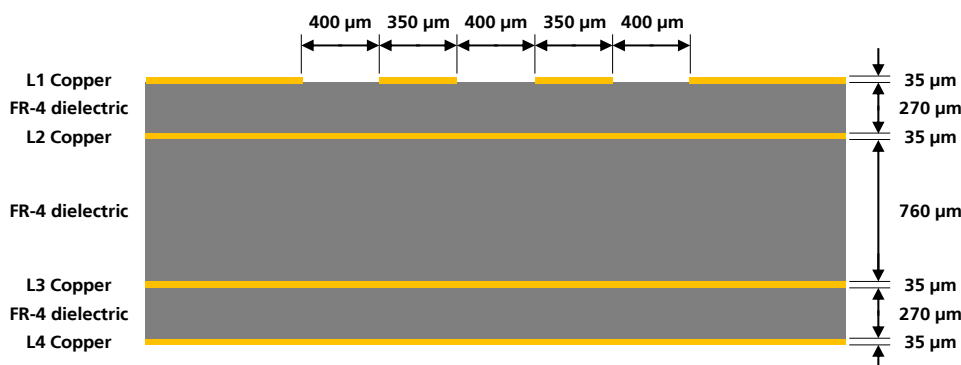


Figure 47: Example of USB line design, with  $Z_0$  close to 90 Ω and  $Z_{CM}$  close to 30 Ω, for the described 4-layer board layout

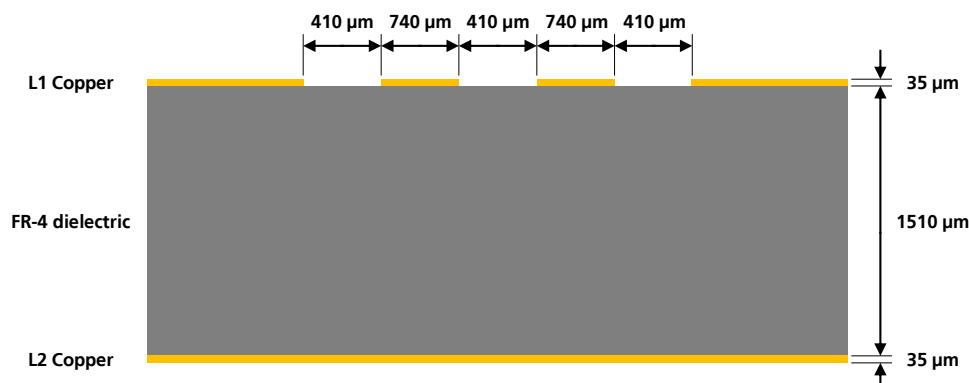


Figure 48: Example of USB line design, with  $Z_0$  close to 90 Ω and  $Z_{CM}$  close to 30 Ω, for the described 2-layer board layout

## 2.6.3 SPI interface

### 2.6.3.1 Guidelines for SPI circuit design



The SPI interface is not supported by "00", "01" and "02" product versions: the SPI interface pins should not be driven by any external device.

## 2.6.4 SDIO interface

### 2.6.4.1 Guidelines for SDIO circuit design



The SDIO interface is not supported by "00", "01" and "02" product versions: the SDIO interface pins should not be driven by any external device.

## 2.6.5 DDC (I<sup>2</sup>C) interface

### 2.6.5.1 Guidelines for DDC (I<sup>2</sup>C) circuit design



DDC (I<sup>2</sup>C) interface is not supported by "00" and "01" product versions: the DDC (I<sup>2</sup>C) interface pins should not be driven by any external device.

The DDC I<sup>2</sup>C-bus master interface can be used to communicate with u-blox GNSS receivers and other external I<sup>2</sup>C-bus slaves as an audio codec.

The **SDA** and **SCL** pins of the module are open drain output as per I<sup>2</sup>C bus specifications [9], and they have internal pull-up resistors to the **V\_INT** 1.8 V supply rail of the module, so there is no need of additional pull-up resistors on the external application board.



Capacitance and series resistance must be limited on the bus to match the I<sup>2</sup>C specifications (1.0 μs is the maximum allowed rise time on the **SCL** and **SDA** lines): route connections as short as possible.



ESD sensitivity rating of the DDC (I<sup>2</sup>C) pins is 1 kV (Human Body Model according to JESD22-A114). Higher protection level could be required if the lines are externally accessible and it can be achieved by mounting an ESD protection (e.g. EPCOS CA05P4S14THSG varistor array) close to accessible points.



If the pins are not used as DDC bus interface, they can be left unconnected.

### Connection with u-blox 1.8 V GNSS receivers

Figure 49 shows an application circuit for connecting the cellular module to a u-blox 1.8 V GNSS receiver:

- The **SDA** and **SCL** pins of the cellular module are directly connected to the related pins of the u-blox 1.8 V GNSS receiver. External pull-up resistors are not needed, as they are already integrated in the cellular module.
- The **GPIO2** pin is connected to the active-high enable pin of the voltage regulator that supplies the u-blox 1.8 V GNSS receiver providing the “GNSS supply enable” function. A pull-down resistor is provided to avoid a switch on of the positioning receiver when the cellular module is switched off or in the reset state.
- The **GPIO3** pin is connected to the **TXD1** pin of the u-blox 1.8 V GNSS receiver providing the additional “GNSS Tx data ready” function.

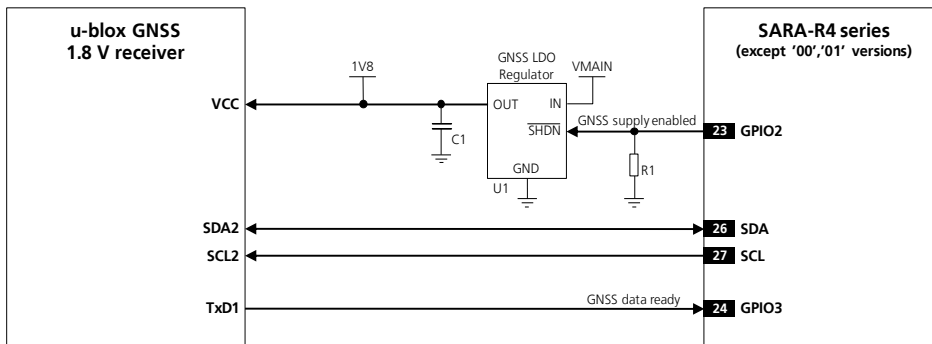


Figure 49: Application circuit for connecting SARA-R4 series modules to u-blox 1.8 V GNSS receivers

Reference	Description	Part Number - Manufacturer
R1	47 kΩ Resistor 0402 5% 0.1 W	RC0402JR-0747KL - Yageo Phycomp
U1	Voltage Regulator for GNSS receiver	See GNSS receiver Hardware Integration Manual

Table 34: Components for connecting SARA-R4 series modules to u-blox 1.8 V GNSS receivers

For additional guidelines regarding the design of applications with u-blox 1.8 V GNSS receivers, see the Hardware Integration Manual of the u-blox GNSS receivers.



### Connection with u-blox 3.0 V GNSS receivers

Figure 50 shows an application circuit for connecting the cellular module to a u-blox 3.0 V GNSS receiver:

- As the **SDA** and **SCL** pins of the cellular module are not tolerant up to 3.0 V, the connection to the related I<sup>2</sup>C pins of the u-blox 3.0 V GNSS receiver must be provided using a suitable I<sup>2</sup>C-bus Bidirectional Voltage Translator (e.g. TI TCA9406, which additionally provides the partial power down feature so that the GNSS 3.0 V supply can be ramped up before the **V\_INT** 1.8 V cellular supply). External pull-up resistors are not needed on the cellular module side, as they are already integrated in the cellular module.
- The **GPIO2** is connected to the active-high enable pin of the voltage regulator that supplies the u-blox 3.0 V GNSS receiver providing the “GNSS supply enable” function. A pull-down resistor is provided to avoid a switch on of the positioning receiver when the cellular module is switched off or in the reset state.
- The **GPIO3** pin is connected to the **TXD1** pin of the u-blox 3.0 V GNSS receiver providing the additional “GNSS Tx data ready” function, using a suitable Unidirectional General Purpose Voltage Translator (e.g. TI SN74AVC2T245, which additionally provides the partial power down feature so that the 3.0 V GNSS supply can be also ramped up before the **V\_INT** 1.8 V cellular supply).

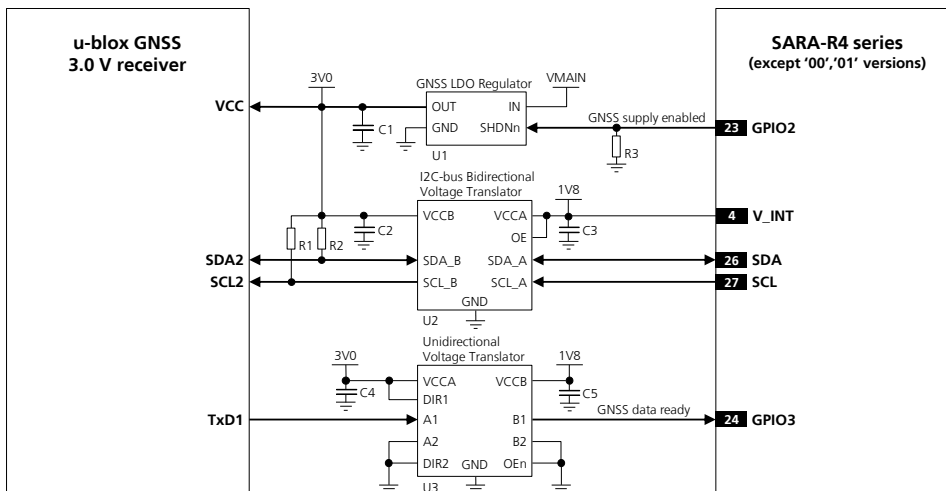


Figure 50: Application circuit for connecting SARA-R4 series modules to u-blox 3.0 V GNSS receivers

Reference	Description	Part Number - Manufacturer
R1, R2	4.7 kΩ Resistor 0402 5% 0.1 W	RC0402JR-074K7L - Yageo Phycomp
R3	47 kΩ Resistor 0402 5% 0.1 W	RC0402JR-0747K7L - Yageo Phycomp
C2, C3, C4, C5	100 nF Capacitor Ceramic X5R 0402 10% 10V	GRM155R71C104KA01 - Murata
U1, C1	Voltage Regulator for GNSS receiver and related output bypass capacitor	See GNSS receiver Hardware Integration Manual
U2	I2C-bus Bidirectional Voltage Translator	TCA9406DCUR - Texas Instruments
U3	Generic Unidirectional Voltage Translator	SN74AVC2T245 - Texas Instruments

Table 35: Components for connecting SARA-R4 series modules to u-blox 3.0 V GNSS receivers

For additional guidelines regarding the design of applications with u-blox 3.0 V GNSS receivers see the Hardware Integration Manual of the u-blox GNSS receivers.

### Guidelines for DDC (I<sup>2</sup>C) layout design

The DDC (I<sup>2</sup>C) serial interface requires the same consideration regarding electro-magnetic interference as any other digital interface. Keep the traces short and avoid coupling with RF line or sensitive analog inputs, since the signals can cause the radiation of some harmonics of the digital data frequency.

## 2.7 Audio

### 2.7.1.1 Guidelines for Audio circuit design



Audio is not supported by “00”, “01” and “02” product versions: the I<sup>2</sup>S interface pins should not be driven by any external device.

## 2.8 General Purpose Input/Output

### 2.8.1.1 Guidelines for GPIO circuit design

A typical usage of SARA-R4 series modules’ GPIOs can be the following:

- Network indication provided over **GPIO1** pin (see Figure 51 / Table 36 below)
- GNSS supply enable function provided by the **GPIO2** pin (see section 2.6.5)
- GNSS Tx data ready function provided by the **GPIO3** pin (see section 2.6.5)
- Module operating status indication provided by a **GPIO** pin (see section 1.6.1)
- SIM card detection provided over **GPIO5** pin (see Figure 37 / Table 28 in section 2.5)

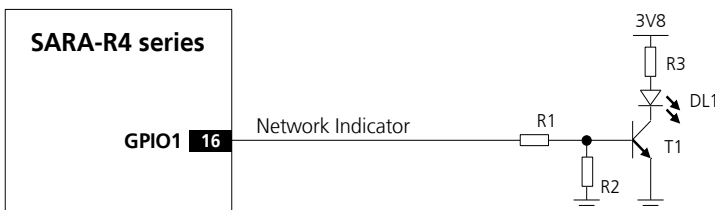


Figure 51: Application circuit for network indication provided over GPIO1

Reference	Description	Part Number - Manufacturer
R1	10 kΩ Resistor 0402 5% 0.1 W	Various manufacturers
R2	47 kΩ Resistor 0402 5% 0.1 W	Various manufacturers
R3	820 Ω Resistor 0402 5% 0.1 W	Various manufacturers
DL1	LED Red SMT 0603	LTST-C190KRKT - Lite-on Technology Corporation
T1	NPN BJT Transistor	BC847 - Infineon

Table 36: Components for network indication application circuit



Use transistors with at least an integrated resistor in the base pin or otherwise put a 10 kΩ resistor on the board in series to the GPIO of SARA-R4 series modules.



Do not apply voltage to any GPIO of the module before the switch-on of the GPIOs supply (**V\_INT**), to avoid latch-up of circuits and allow a clean module boot. If the external signals connected to the module cannot be tri-stated or set low, insert a multi-channel digital switch (e.g. TI SN74CB3Q16244, TS5A3159, TS5A63157) between the two-circuit connections and set to high impedance before **V\_INT** switch-on.



ESD sensitivity rating of the GPIO pins is 1 kV (Human Body Model according to JESD22-A114). Higher protection level could be required if the lines are externally accessible and it can be achieved by mounting an ESD protection (e.g. EPCOS CA05P4S14THSG varistor array) close to accessible points.



If the GPIO pins are not used, they can be left unconnected on the application board.

### 2.8.1.2 Guidelines for general purpose input/output layout design

The general purpose inputs / outputs pins are generally not critical for layout.

## 2.9 Reserved pins (RSVD)

SARA-R4 series modules have pins reserved for future use, marked as **RSVD**.

All the **RSVD** pins are to be left unconnected on the application board, except for the **RSVD** pin number **33** that can be externally connected to ground.

## 2.10 Module placement

An optimized placement allows a minimum RF line's length and closer path from DC source for **VCC**.

Make sure that the module, analog parts and RF circuits are clearly separated from any possible source of radiated energy. In particular, digital circuits can radiate digital frequency harmonics, which can produce Electro-Magnetic Interference that affects the module, analog parts and RF circuits' performance. Implement suitable countermeasures to avoid any possible Electro-Magnetic Compatibility issue.

Make sure that the module, RF and analog parts / circuits, and high speed digital circuits are clearly separated from any sensitive part / circuit which may be affected by Electro-Magnetic Interference, or employ countermeasures to avoid any possible Electro-Magnetic Compatibility issue.

Provide enough clearance between the module and any external part: clearance of at least 0.4 mm per side is recommended to let suitable mounting of the parts.



The heat dissipation during continuous transmission at maximum power can significantly raise the temperature of the application base-board below the SARA-R4 series modules: avoid placing temperature sensitive devices close to the module.

## 2.11 Module footprint and paste mask

Figure 52 and Table 37 describe the suggested footprint (i.e. copper mask) and paste mask layout for SARA modules: the proposed land pattern layout reflects the modules' pins layout, while the proposed stencil apertures layout is slightly different (see the  $F''$ ,  $H''$ ,  $I''$ ,  $J''$ ,  $O''$  parameters compared to the  $F'$ ,  $H'$ ,  $I'$ ,  $J'$ ,  $O'$  ones).

The Non Solder Mask Defined (NSMD) pad type is recommended over the Solder Mask Defined (SMD) pad type, implementing the solder mask opening 50  $\mu\text{m}$  larger per side than the corresponding copper pad.

The recommended solder paste thickness is 150  $\mu\text{m}$ , according to application production process requirements.

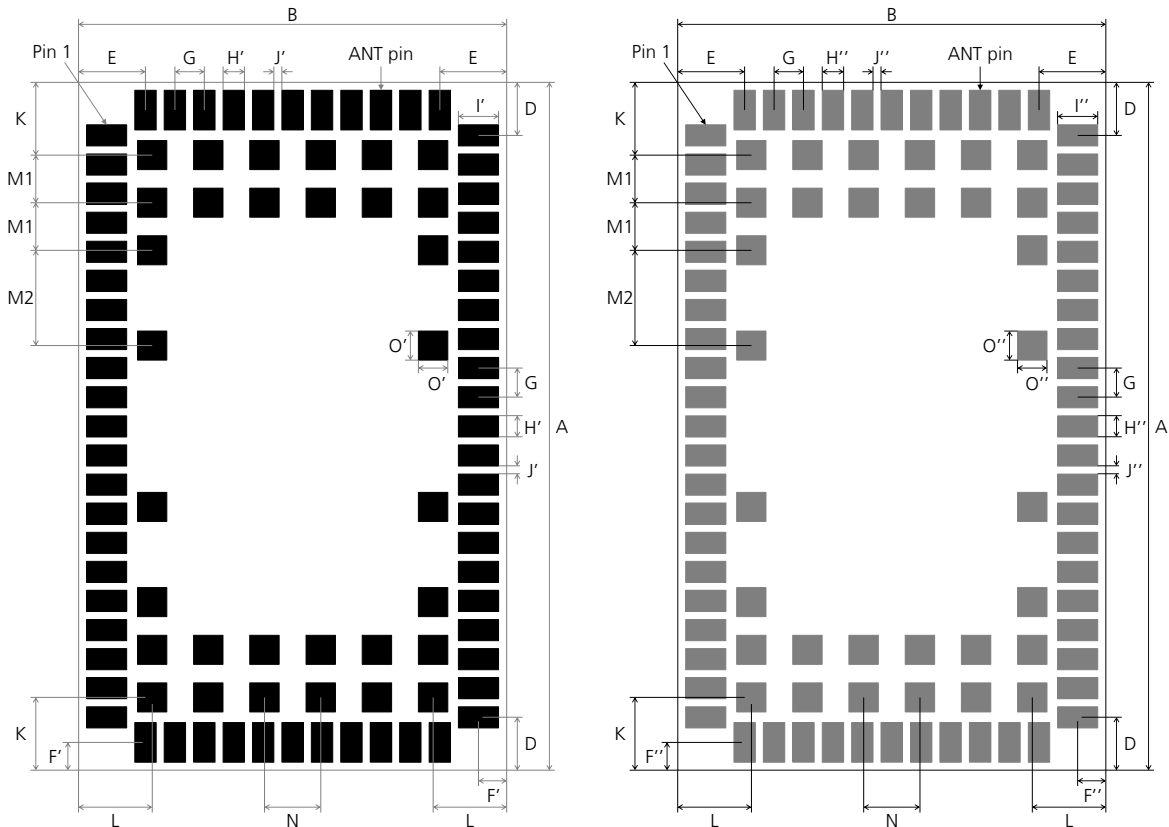


Figure 52: SARA-R4 series modules suggested footprint and paste mask (application board top view)

Parameter	Value	Parameter	Value	Parameter	Value
A	26.0 mm	G	1.10 mm	K	2.75 mm
B	16.0 mm	H'	0.80 mm	L	2.75 mm
C	3.00 mm	H''	0.75 mm	M1	1.80 mm
D	2.00 mm	I'	1.50 mm	M2	3.60 mm
E	2.50 mm	I''	1.55 mm	N	2.10 mm
F'	1.05 mm	J'	0.30 mm	O'	1.10 mm
F''	1.00 mm	J''	0.35 mm	O''	1.05 mm

Table 37: SARA-R4 series modules suggested footprint and paste mask dimensions



These are recommendations only and not specifications. The exact copper, solder and paste mask geometries, distances, stencil thicknesses and solder paste volumes must be adapted to the specific production processes (e.g. soldering etc.) of the customer.

## 2.12 Thermal guidelines



The module operating temperature range is specified in the SARA-R4 series Data Sheet [1].

The most critical condition concerning module thermal performance is the uplink transmission at maximum power (data upload in connected mode), when the baseband processor runs at full speed, radio circuits are all active and the RF power amplifier is driven to higher output RF power. This scenario is not often encountered in real networks (for example, see the Terminal Tx Power distribution for WCDMA, taken from operation on a live network, described in the GSMA TS.09 Battery Life Measurement and Current Consumption Technique [10]); however the application should be correctly designed to cope with it.

During transmission at maximum RF power the SARA-R4 series modules generate thermal power that may exceed 0.5 W: this is an indicative value since the exact generated power strictly depends on operating condition such as the actual antenna return loss, the transmitting frequency band, etc. The generated thermal power must be adequately dissipated through the thermal and mechanical design of the application.

The spreading of the Module-to-Ambient thermal resistance ( $R_{th,M-A}$ ) depends on the module operating condition. The overall temperature distribution is influenced by the configuration of the active components during the specific mode of operation and their different thermal resistance toward the case interface.



The Module-to-Ambient thermal resistance value and the relative increase of module temperature will differ according to the specific mechanical deployments of the module, e.g. application PCB with different dimensions and characteristics, mechanical shells enclosure, or forced air flow.

The increase of the thermal dissipation, i.e. the reduction of the Module-to-Ambient thermal resistance, will decrease the temperature of the modules' internal circuitry for a given operating ambient temperature. This improves the device long-term reliability in particular for applications operating at high ambient temperature.

Recommended hardware techniques to be used to improve heat dissipation in the application:

- Connect each **GND** pin with solid ground layer of the application board and connect each ground area of the multilayer application board with complete thermal via stacked down to main ground layer.
- Provide a ground plane as wide as possible on the application board.
- Optimize antenna return loss, to optimize overall electrical performance of the module including a decrease of module thermal power.
- Optimize the thermal design of any high-power components included in the application, such as linear regulators and amplifiers, to optimize overall temperature distribution in the application device.
- Select the material, the thickness and the surface of the box (i.e. the mechanical enclosure) of the application device that integrates the module so that it provides good thermal dissipation.

Beside the reduction of the Module-to-Ambient thermal resistance implemented by correct application hardware design, the increase of module temperature can be moderated by a correspondingly correct application software implementation:

- Enable power saving configuration using the AT+CPSMS command
- Enable module connected mode for a given time period and then disable it for a time period long enough to adequately mitigate the temperature increase.

## 2.13 Schematic for SARA-R4 series module integration

### 2.13.1 Schematic for SARA-R4 series modules

Figure 53 is an example of a schematic diagram where a SARA-R4 series module “00”, “01” or “02” product version is integrated into an application board, using all the available interfaces and functions of the module.

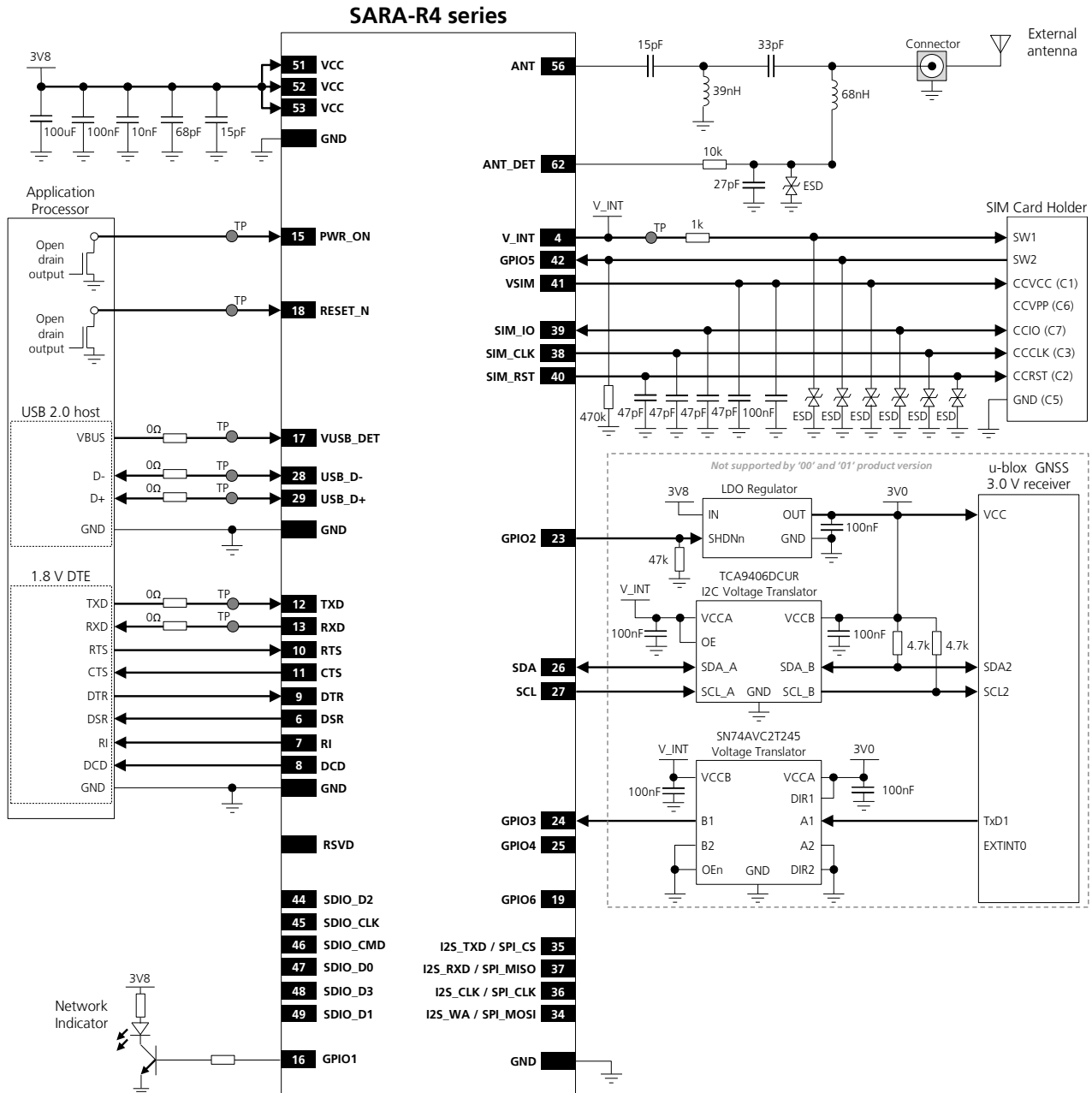


Figure 53: Example of schematic diagram to integrate a SARA-R4 module using all available interfaces<sup>15</sup>

<sup>15</sup> Flow control is not supported by ‘00’, ‘01’ and SARA-R410M-02B product versions, but the **RTS** input must be set low to use the UART on ‘00’ and ‘01’ versions. The **DTR** input of the module must be set low to have URCs presented over UART on ‘00’, ‘01’ and ‘02’ product versions.

## 2.14 Design-in checklist

This section provides a design-in checklist.

### 2.14.1 Schematic checklist

The following are the most important points for a simple schematic check:

- ☑ DC supply must provide a nominal voltage at **VCC** pin within the operating range limits.
- ☑ DC supply must be capable of supporting the highest peak / pulse current consumption values and the maximum averaged current consumption values in connected mode, as specified in the SARA-R4 series Data Sheet [1].
- ☑ **VCC** voltage supply should be clean, with very low ripple/noise: provide the suggested bypass capacitors, in particular if the application device integrates an internal antenna.
- ☑ Do not apply loads which might exceed the limit for maximum available current from **V\_INT** supply.
- ☑ Check that voltage level of any connected pin does not exceed the relative operating range.
- ☑ Provide accessible test points directly connected to the following pins of the SARA-R4 series modules: **V\_INT**, **PWR\_ON** and **RESET\_N** for diagnostic purposes.
- ☑ Capacitance and series resistance must be limited on each SIM signal to match the SIM specifications.
- ☑ Insert the suggested pF capacitors on each SIM signal and low capacitance ESD protections if accessible.
- ☑ Check UART signals direction, as the modules' signal names follow the ITU-T V.24 Recommendation [5].
- ☑ Capacitance and series resistance must be limited on each high speed line of the USB interface.
- ☑ It is strongly recommended to provide accessible test points directly connected to the USB interface pins (**VUSB\_DET**, **USB\_D+** and **USB\_D-** pins).
- ☑ Use transistors with at least an integrated resistor in the base pin or otherwise put a 10 k $\Omega$  resistor on the board in series to the GPIO when those are used to drive LEDs.
- ☑ Provide adequate precautions for EMC / ESD immunity as required on the application board.
- ☑ Do not apply voltage to any generic digital interface pin of SARA-R4 series modules before the switch-on of the generic digital interface supply source (**V\_INT**).
- ☑ All unused pins can be left unconnected.

### 2.14.2 Layout checklist

The following are the most important points for a simple layout check:

- ☑ Check 50  $\Omega$  nominal characteristic impedance of the RF transmission line connected to the **ANT** port (antenna RF interface).
- ☑ Ensure no coupling occurs between the RF interface and noisy or sensitive signals (SIM signals, high-speed digital lines such as USB, and other data lines).
- ☑ Optimize placement for minimum length of RF line.
- ☑ Check the footprint and paste mask designed for SARA-R4 series module as illustrated in section 2.11.
- ☑ **VCC** line should be wide and as short as possible.
- ☑ Route **VCC** supply line away from RF line / part and other sensitive analog lines / parts.
- ☑ The **VCC** bypass capacitors in the picoFarad range should be placed as close as possible to the **VCC** pins, in particular if the application device integrates an internal antenna.
- ☑ Ensure an optimal grounding connecting each **GND** pin with application board solid ground layer.
- ☑ Use as many vias as possible to connect the ground planes on multilayer application board, providing a dense line of vias at the edges of each ground area, in particular along RF and high speed lines.
- ☑ Keep routing short and minimize parasitic capacitance on the SIM lines to preserve signal integrity.
- ☑ **USB\_D+** / **USB\_D-** traces should meet the characteristic impedance requirement (90  $\Omega$  differential and 30  $\Omega$  common mode) and should not be routed close to any RF line / part.

### 2.14.3 Antenna checklist

- ☑ Antenna termination should provide 50  $\Omega$  characteristic impedance with V.S.W.R at least less than 3:1 (recommended 2:1) on operating bands in deployment geographical area.
- ☑ Follow the recommendations of the antenna producer for correct antenna installation and deployment (PCB layout and matching circuitry).
- ☑ Ensure compliance with any regulatory agency RF radiation requirement, as reported in section 4.2.2 for United States and in section 4.3.1 for Canada.
- ☑ Ensure high isolation between the cellular antenna and any other antennas or transmitters present on the end device.



## 3 Handling and soldering



No natural rubbers, no hygroscopic materials or materials containing asbestos are employed.

### 3.1 Packaging, shipping, storage and moisture preconditioning

For information pertaining to SARA-R4 series reels / tapes, Moisture Sensitivity levels (MSD), shipment and storage information, as well as drying for preconditioning, see the SARA-R4 series Data Sheet [1] and the u-blox Package Information Guide [15].

### 3.2 Handling

The SARA-R4 series modules are Electro-Static Discharge (ESD) sensitive devices.



**Ensure ESD precautions are implemented during handling of the module.**



Electrostatic discharge (ESD) is the sudden and momentary electric current that flows between two objects at different electrical potentials caused by direct contact or induced by an electrostatic field. The term is usually used in the electronics and other industries to describe momentary unwanted currents that may cause damage to electronic equipment.

The ESD sensitivity for each pin of SARA-R4 series modules (as Human Body Model according to JESD22-A114F) is specified in the SARA-R4 series Data Sheet [1].

ESD prevention is based on establishing an Electrostatic Protective Area (EPA). The EPA can be a small working station or a large manufacturing area. The main principle of an EPA is that there are no highly charging materials near ESD sensitive electronics, all conductive materials are grounded, workers are grounded, and charge build-up on ESD sensitive electronics is prevented. International standards are used to define typical EPA and can be obtained for example from the International Electrotechnical Commission (IEC) or the American National Standards Institute (ANSI).

In addition to standard ESD safety practices, the following measures should be taken into account whenever handling the SARA-R4 series modules:

- Unless there is a galvanic coupling between the local GND (i.e. the work table) and the PCB GND, then the first point of contact when handling the PCB must always be between the local GND and PCB GND.
- Before mounting an antenna patch, connect the ground of the device.
- When handling the module, do not come into contact with any charged capacitors and be careful when contacting materials that can develop charges (e.g. patch antenna, coax cable, soldering iron).
- To prevent electrostatic discharge through the RF pin, do not touch any exposed antenna area. If there is any risk that such exposed antenna area is touched in a non-ESD protected work area, implement adequate ESD protection measures in the design.
- When soldering the module and patch antennas to the RF pin, make sure to use an ESD-safe soldering iron.

## 3.3 Soldering

### 3.3.1 Soldering paste

"No Clean" soldering paste is strongly recommended for SARA-R4 series modules, as it does not require cleaning after the soldering process has taken place. The paste listed in the example below meets these criteria.

Soldering Paste: OM338 SAC405 / Nr.143714 (Cookson Electronics)  
 Alloy specification: 95.5% Sn / 3.9% Ag / 0.6% Cu (95.5% Tin / 3.9% Silver / 0.6% Copper)  
 95.5% Sn / 4.0% Ag / 0.5% Cu (95.5% Tin / 4.0% Silver / 0.5% Copper)  
 Melting Temperature: 217 °C  
 Stencil Thickness: 150 µm for base boards

The final choice of the soldering paste depends on the approved manufacturing procedures.

The paste-mask geometry for applying soldering paste should meet the recommendations in section 2.11.



The quality of the solder joints should meet the appropriate IPC specification.

### 3.3.2 Reflow soldering

**A convection type-soldering oven is strongly recommended** for SARA-R4 series modules over the infrared type radiation oven. Convection heated ovens allow precise control of the temperature and all parts will be heated up evenly, regardless of material properties, thickness of components and surface color.

Consider the "IPC-7530A Guidelines for temperature profiling for mass soldering (reflow and wave) processes".

Reflow profiles are to be selected according to the following recommendations.



**Failure to observe these recommendations can result in severe damage to the device!**

#### Preheat phase

Initial heating of component leads and balls. Residual humidity will be dried out. Note that this preheat phase will not replace prior baking procedures.

- Temperature rise rate: max 3 °C/s      If the temperature rise is too rapid in the preheat phase it may cause excessive slumping.
- Time: 60 – 120 s      If the preheat is insufficient, rather large solder balls tend to be generated. Conversely, if performed excessively, fine balls and large balls will be generated in clusters.
- End Temperature: +150 - +200 °C      If the temperature is too low, non-melting tends to be caused in areas containing large heat capacity.

#### Heating/ reflow phase

The temperature rises above the liquidus temperature of +217 °C. Avoid a sudden rise in temperature as the slump of the paste could become worse.

- Limit time above +217 °C liquidus temperature: 40 - 60 s
- Peak reflow temperature: +245 °C

#### Cooling phase

A controlled cooling avoids negative metallurgical effects (solder becomes more brittle) of the solder and possible mechanical tensions in the products. Controlled cooling helps to achieve bright solder fillets with a good shape and low contact angle.

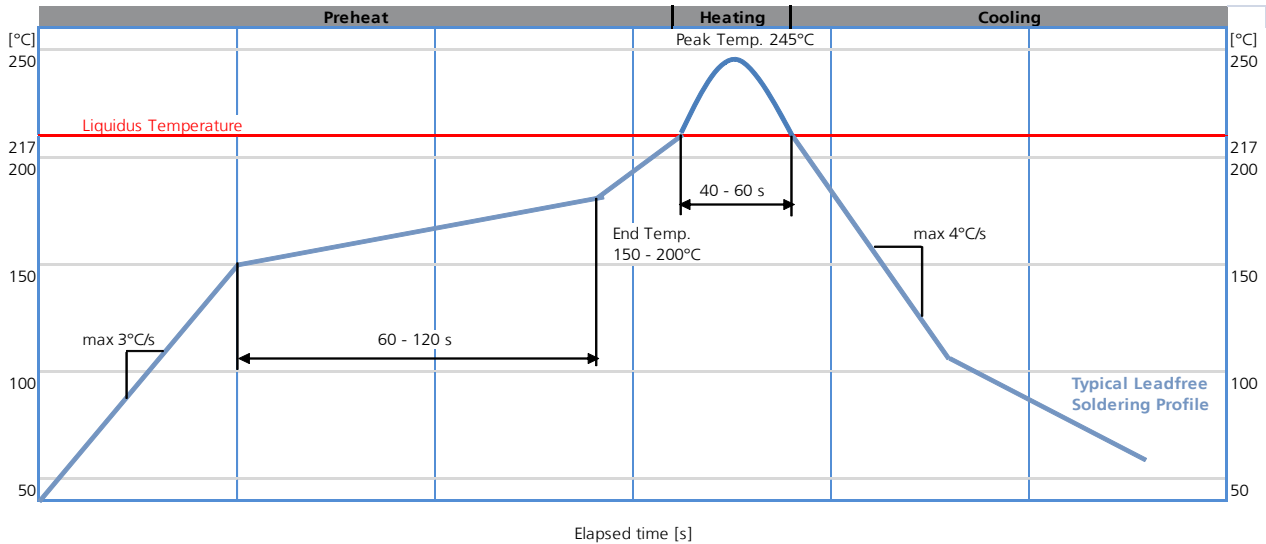
- Temperature fall rate: max 4 °C/s



To avoid falling off, modules should be placed on the topside of the motherboard during soldering.

The soldering temperature profile chosen at the factory depends on additional external factors like choice of soldering paste, size, thickness and properties of the base board, etc.

**⚠ Exceeding the maximum soldering temperature and the maximum liquidus time limit in the recommended soldering profile may permanently damage the module.**



**Figure 54: Recommended soldering profile**

**☞** The modules must not be soldered with a damp heat process.

### 3.3.3 Optical inspection

After soldering the module, inspect it optically to verify that the module is correctly aligned and centered.

### 3.3.4 Cleaning

Cleaning the modules is not recommended. Residues underneath the modules cannot be easily removed with a washing process.

- Cleaning with water will lead to capillary effects where water is absorbed in the gap between the baseboard and the module. The combination of residues of soldering flux and encapsulated water leads to short circuits or resistor-like interconnections between neighboring pads. Water will also damage the sticker and the ink-jet printed text.
- Cleaning with alcohol or other organic solvents can result in soldering flux residues flooding into the two housings, areas that are not accessible for post-wash inspections. The solvent will also damage the sticker and the ink-jet printed text.
- Ultrasonic cleaning will permanently damage the module, in particular the quartz oscillators.

For best results, use a "no clean" soldering paste and eliminate the cleaning step after the soldering.

### 3.3.5 Repeated reflow soldering

Repeated reflow soldering processes and soldering the module upside-down are not recommended.



Boards with components on both sides may require two reflow cycles. In this case, the module should always be placed on the side of the board that is submitted into the last reflow cycle. The reason for this (besides others) is the risk of the module falling off due to the significantly higher weight in relation to other components.

**☞** u-blox gives no warranty against damages to the SARA-R4 series modules caused by performing more than a total of two reflow soldering processes (one reflow soldering process to mount the SARA-R4 series module, plus one reflow soldering process to mount other parts).

### 3.3.6 Wave soldering

SARA-R4 series LGA modules must not be soldered with a wave soldering process.

Boards with combined through-hole technology (THT) components and surface-mount technology (SMT) devices require wave soldering to solder the THT components. No more than one wave soldering process is allowed for a board with a SARA-R4 series module already populated on it.


-  **Performing a wave soldering process on the module can result in severe damage to the device!**
-  u-blox gives no warranty against damages to the SARA-R4 series modules caused by performing more than a total of two soldering processes (one reflow soldering process to mount the SARA-R4 series module, plus one wave soldering process to mount other THT parts on the application board).

### 3.3.7 Hand soldering

Hand soldering is not recommended.

### 3.3.8 Rework

Rework is not recommended.


-  Never attempt a rework on the module itself, e.g. replacing individual components. Such actions immediately terminate the warranty.

### 3.3.9 Conformal coating

Certain applications employ a conformal coating of the PCB using HumiSeal® or other related coating products.

These materials affect the HF properties of the cellular modules and it is important to prevent them from flowing into the module.

The RF shields do not provide 100% protection for the module from coating liquids with low viscosity, therefore care is required in applying the coating.

-  Conformal Coating of the module will void the warranty.


### 3.3.10 Casting

If casting is required, use viscose or another type of silicon pottant. The OEM is strongly advised to qualify such processes in combination with the cellular modules before implementing this in production.

-  Casting will void the warranty.


### 3.3.11 Grounding metal covers

Attempts to improve grounding by soldering ground cables, wick or other forms of metal strips directly onto the EMI covers is done at the customer's own risk. The numerous ground pins should be sufficient to provide optimum immunity to interference and noise.

-  u-blox gives no warranty for damages to the cellular modules caused by soldering metal cables or any other forms of metal strips directly onto the EMI covers.

### 3.3.12 Use of ultrasonic processes

The cellular modules contain components which are sensitive to ultrasonic waves. Use of any ultrasonic processes (cleaning, welding etc.) may cause damage to the module.

-  u-blox gives no warranty against damages to the cellular modules caused by any ultrasonic processes.

## 4 Approvals

### 4.1 Product certification approval overview

Product certification approval is the process of certifying that a product has passed all tests and criteria required by specifications, typically called “certification schemes”, that can be divided into three distinct categories:

- Regulatory certification
  - Country-specific approval required by local government in most regions and countries, such as:
    - CE (Conformité Européenne) marking for European Union
    - FCC (Federal Communications Commission) approval for the United States
- Industry certification
  - Telecom industry-specific approval verifying the interoperability between devices and networks:
    - GCF (Global Certification Forum), partnership between European device manufacturers and network operators to ensure and verify global interoperability between devices and networks
    - PTCRB (PCS Type Certification Review Board), created by United States network operators to ensure and verify interoperability between devices and North America networks
- Operator certification
  - Operator-specific approvals required by some mobile network operator, such as:
    - AT&T network operator in United States
    - Verizon Wireless network operator in United States

SARA-R4 series modules are approved under all major certification schemes, as summarized in Table 38.

Certification scheme	SARA-R404M-00B	SARA-R410M-01B	SARA-R410M-02B
GCF conformance			M1 Bands 3, 5, 8, 13, 20, 28
PTCRB conformance		M1 Bands 2, 4, 5, 12	M1, NB1 Bands 2, 3, 4, 5, 8, 12, 13, 20, 28
CE Europe regulatory			M1, NB1 Bands 3, 8, 20
FCC US regulatory FCC ID	M1 Band 13 XPY2AGQN1NNN	M1 Bands 2, 4, 5, 12 XPY2AGQN4NNN	M1, NB1 Bands 2, 4, 5, 12, 13 XPY2AGQN4NNN
ISED Canada regulatory ISED ID		M1 Bands 2, 4, 5, 12 8595A-2AGQN4NNN	M1, NB1 Bands 2, 4, 5, 12, 13 8595A-2AGQN4NNN
IFT Mexico regulatory		M1 Bands 2, 4, 5, 12	
RCM Australia regulatory			M1 Bands 3, 5, 8, 28
NCC Taiwan regulatory			M1, NB1 Bands 3, 8, 28
Verizon network operator	M1 Band 13		M1 Bands 4, 13
AT&T network operator		M1 Bands 2, 4, 5, 12	M1 Bands 2, 4, 5, 12
Bell network operator		M1 Bands 2, 4, 5, 12	
Telus network operator		M1 Bands 2, 4, 5, 12	
Telstra network operator			M1 Bands 3, 5, 8, 28

**Table 38: Summary of certification approvals achieved for the SARA-R4 series modules, with related RAT and Bands**



For the complete list and specific details regarding the certification approvals of SARA-R4 series modules, including certificates of compliancy, please contact the u-blox office or sales representative nearest you.

The manufacturer of the end-device that integrates a SARA-R4 series module has to take care of all the certification schemes approvals required by the specific integrating device to be deployed in the market.

The required certification scheme approvals and relative testing specifications applicable to the end-device that integrates a SARA-R4 series module differ depending on the country or the region where the integrating device is intended to be deployed, on the relative vertical market of the device, on type, features and functionalities of the whole application device, and on the network operators where the device is intended to operate.

It has to be noted that the "02" product versions onwards of SARA-R4 series modules include the capability to configure the device selecting the operating Mobile Network Operator Profile, Radio Access Technology, and Band: see SARA-R4 series AT Commands Manual [2], +UMNOPROF, +URAT, and +UBANDMASK AT commands.

As these configuration decisions are made, u-blox reminds manufacturers of the end-device integrating the "02" product versions onwards of SARA-R4 series modules to take care of compliance with all the certification approvals requirements applicable to the specific integrating device to be deployed in the market.



Check the appropriate applicability of the SARA-R4 series module's approvals while starting the certification process of the device integrating the module: the re-use of the u-blox cellular module's approval can significantly reduce the cost and time to market of the application device certification.



The certification of the application device that integrates a SARA-R4 series module and the compliance of the application device with all the applicable certification schemes, directives and standards are the sole responsibility of the application device manufacturer.

SARA-R4 series modules are certified according to all capabilities and options stated in the Protocol Implementation Conformance Statement document (PICS) of the module. The PICS, according to the 3GPP TS 36.521-2 [12] and 3GPP TS 36.523-2 [13], is a statement of the implemented and supported capabilities and options of a device.



The PICS document of the application device integrating SARA-R4 series modules must be updated from the module PICS statement if any feature stated as supported by the module in its PICS document is not implemented or disabled in the application device. For more details regarding the AT commands settings that affect the PICS, see the SARA-R4 series AT Commands Manual [1].



Check the specific settings required for mobile network operators approvals as they may differ from the AT commands settings defined in the module as integrated in the application device.

## 4.2 US Federal Communications Commission notice

United States Federal Communications Commission (FCC) IDs:

- u-blox SARA-R404M cellular modules: XPY2AGQN1NNN
- u-blox SARA-R410M cellular modules: XPY2AGQN4NNN


### 4.2.1 Safety warnings review the structure


- Equipment for building-in. The requirements for fire enclosure must be evaluated in the end product
- The clearance and creepage current distances required by the end product must be withheld when the module is installed
- The cooling of the end product shall not negatively be influenced by the installation of the module
- Excessive sound pressure from earphones and headphones can cause hearing loss
- No natural rubbers, hygroscopic materials, or materials containing asbestos are employed

### 4.2.2 Declaration of Conformity

This device complies with Part 15 of the FCC rules. Operation is subject to the following two conditions:

- this device may not cause harmful interference
- this device must accept any interference received, including interference that may cause undesired operation


 **Radiofrequency radiation exposure information: this equipment complies with the radiation exposure limits prescribed for an uncontrolled environment for fixed and mobile use conditions. This equipment should be installed and operated with a minimum distance of 20 cm between the radiator and the body of the user or nearby persons. This transmitter must not be co-located or operating in conjunction with any other antenna or transmitter except as authorized in the certification of the product.**

 **The gain of the system antenna(s) used for the SARA-R4 series modules (i.e. the combined transmission line, connector, cable losses and radiating element gain) must not exceed the value specified in the FCC Grant for mobile and fixed or mobile operating configurations:**

- **SARA-R404M modules:**
  - **13 dBi in 750 MHz, i.e. LTE FDD-13 band**
- **SARA-R410M-01B modules:**
  - **3.67 dBi in 700 MHz, i.e. LTE FDD-12 band**
  - **4.10 dBi in 850 MHz, i.e. LTE FDD-5 band**
  - **6.74 dBi in 1700 MHz, i.e. LTE FDD-4 band**
  - **7.12 dBi in 1900 MHz, i.e. LTE FDD-2 band**
- **SARA-R410M-02B modules:**
  - **3.66 dBi in 700 MHz, i.e. LTE FDD-12 band**
  - **3.94 dBi in 750 MHz, i.e. LTE FDD-13 band**
  - **4.41 dBi in 850 MHz, i.e. LTE FDD-5 band**
  - **6.75 dBi in 1700 MHz, i.e. LTE FDD-4 band**
  - **7.00 dBi in 1900 MHz, i.e. LTE FDD-2 band**


### 4.2.3 Modifications

The FCC requires the user to be notified that any changes or modifications made to this device that are not expressly approved by u-blox could void the user's authority to operate the equipment.


 **Manufacturers of mobile or fixed devices incorporating the SARA-R4 series modules are authorized to use the FCC Grants of the SARA-R4 series modules for their own final products according to the conditions referenced in the certificates.**

 **The FCC Label shall in the above case be visible from the outside, or the host device shall bear a second label stating:**

- **For SARA-R404M modules: "Contains FCC ID: XPY2AGQN1NNN"**
- **For SARA-R410M modules: "Contains FCC ID: XPY2AGQN4NNN"**

 **IMPORTANT: Manufacturers of portable applications incorporating the SARA-R4 series modules are required to have their final product certified and apply for their own FCC Grant related to the specific portable device. This is mandatory to meet the SAR requirements for portable devices.**

**Changes or modifications not expressly approved by the party responsible for compliance could void the user's authority to operate the equipment.**

 **Additional Note: as per 47CFR15.105 this equipment has been tested and found to comply with the limits for a Class B digital device, pursuant to part 15 of the FCC Rules. These limits are designed to provide reasonable protection against harmful interference in a residential installation. This equipment generates, uses and can radiate radio frequency energy and, if not installed and used in accordance with the instructions, may cause harmful interference to radio communications. However, there is no guarantee that interference will not occur in a particular installation. If this equipment does cause harmful interference to radio or television reception, which can be determined by turning the equipment off and on, the user is encouraged to try to correct the interference by one or more of the following measures:**

- **Reorient or relocate the receiving antenna**
- **Increase the separation between the equipment and receiver**
- **Connect the equipment into an outlet on a circuit different from that to which the receiver is connected**
- **Consultant the dealer or an experienced radio/TV technician for help**



## 4.3 Innovation, Science and Economic Development Canada notice


ISED Canada (formerly known as IC - Industry Canada) Certification Numbers:


- u-blox SARA-R410M cellular modules: 8595A-2AGQN4NNN

### 4.3.1 Declaration of Conformity

This device complies with the ISED Canada license-exempt RSS standard(s). Operation is subject to the following two conditions:

- this device may not cause harmful interference
- this device must accept any interference received, including interference that may cause undesired operation

 **Radiofrequency radiation exposure information: this equipment complies with the radiation exposure limits prescribed for an uncontrolled environment for fixed and mobile use conditions. This equipment should be installed and operated with a minimum distance of 20 cm between the radiator and the body of the user or nearby persons. This transmitter must not be co-located or operating in conjunction with any other antenna or transmitter except as authorized in the certification of the product.**

 **The gain of the system antenna(s) used for the SARA-R4 series modules (i.e. the combined transmission line, connector, cable losses and radiating element gain) must not exceed the value stated in the ISED Canada Grant for mobile and fixed or mobile operating configurations:**

- **SARA-R410M-01B modules:**
  - 3.67 dBi in 700 MHz, i.e. LTE FDD-12 band
  - 4.10 dBi in 850 MHz, i.e. LTE FDD-5 band
  - 6.74 dBi in 1700 MHz, i.e. LTE FDD-4 band
  - 7.12 dBi in 1900 MHz, i.e. LTE FDD-2 band
- **SARA-R410M-02B modules:**
  - 3.66 dBi in 700 MHz, i.e. LTE FDD-12 band
  - 3.94 dBi in 750 MHz, i.e. LTE FDD-13 band
  - 4.41 dBi in 850 MHz, i.e. LTE FDD-5 band
  - 6.75 dBi in 1700 MHz, i.e. LTE FDD-4 band
  - 7.00 dBi in 1900 MHz, i.e. LTE FDD-2 band


### 4.3.2 Modifications

ISED Canada requires the user to be notified that any changes or modifications made to this device that are not expressly approved by u-blox could void the user's authority to operate the equipment.

 **Manufacturers of mobile or fixed devices incorporating the SARA-R4 series modules are authorized to use the ISED Canada Certificates of the SARA-R4 series modules for their own final products according to the conditions referenced in the certificates.**

 **The ISED Canada Label shall in the above case be visible from the outside, or the host device shall bear a second label stating:**

- **For SARA-R410M modules: "Contains IC: 8595A-2AGQN4NNN"**

-  **Innovation, Science and Economic Development Canada (ISED) Notices**  
This Class B digital apparatus complies with Canadian CAN ICES-3(B) / NMB-3(B).  
Operation is subject to the following two conditions:
- this device may not cause interference
  - this device must accept any interference, including interference that may cause undesired operation of the device

#### **Radio Frequency (RF) Exposure Information**

The radiated output power of the u-blox Cellular Module is below the Innovation, Science and Economic Development Canada (ISED) radio frequency exposure limits. The u-blox Cellular Module should be used in a manner such that the potential for human contact during normal operation is minimized.

This device has been evaluated and shown compliant with the IC RF Exposure limits under mobile exposure conditions (antennas are greater than 20 cm from a person's body).


This device has been certified for use in Canada. Status of the listing in the Industry Canada's REL (Radio Equipment List) can be found at the following web address:

<http://www.ic.gc.ca/app/sitt/reltel/srch/nwRdSrch.do?lang=eng>

Additional Canadian information on RF exposure also can be found at the following web address:  
<http://www.ic.gc.ca/eic/site/smt-gst.nsf/eng/sf08792.html>

-  **IMPORTANT:** Manufacturers of portable applications incorporating the SARA-R4 series modules are required to have their final product certified and apply for their own Industry Canada Certificate related to the specific portable device. This is mandatory to meet the SAR requirements for portable devices.

Changes or modifications not expressly approved by the party responsible for compliance could void the user's authority to operate the equipment.

-  **Avis d'Innovation, Sciences et Développement économique Canada (ISDE)**  
Cet appareil numérique de classe B est conforme aux normes canadiennes CAN ICES-3(B) / NMB-3(B).  
Son fonctionnement est soumis aux deux conditions suivantes:
- cet appareil ne doit pas causer d'interférence
  - cet appareil doit accepter toute interférence, notamment les interférences qui peuvent affecter son fonctionnement

#### **Informations concernant l'exposition aux fréquences radio (RF)**


La puissance de sortie émise par l'appareil de sans-fil u-blox Cellular Module est inférieure à la limite d'exposition aux fréquences radio d'Innovation, Sciences et Développement économique Canada (ISDE). Utilisez l'appareil de sans-fil u-blox Cellular Module de façon à minimiser les contacts humains lors du fonctionnement normal.

Ce périphérique a été évalué et démontré conforme aux limites d'exposition aux fréquences radio (RF) d'IC lorsqu'il est installé dans des produits hôtes particuliers qui fonctionnent dans des conditions d'exposition à des appareils mobiles (les antennes se situent à plus de 20 centimètres du corps d'une personne).

Ce périphérique est homologué pour l'utilisation au Canada. Pour consulter l'entrée correspondant à l'appareil dans la liste d'équipement radio (REL - Radio Equipment List) d'Industrie Canada rendez-vous sur:

<http://www.ic.gc.ca/app/sitt/reltel/srch/nwRdSrch.do?lang=fra>

Pour des informations supplémentaires concernant l'exposition aux RF au Canada rendez-vous sur: <http://www.ic.gc.ca/eic/site/smt-gst.nsf/fra/sf08792.html>

 **IMPORTANT: les fabricants d'applications portables contenant les modules de la SARA-R4 series doivent faire certifier leur produit final et déposer directement leur candidature pour une certification FCC ainsi que pour un certificat ISDE Canada délivré par l'organisme chargé de ce type d'appareil portable. Ceci est obligatoire afin d'être en accord avec les exigences SAR pour les appareils portables.**


**Tout changement ou modification non expressément approuvé par la partie responsable de la certification peut annuler le droit d'utiliser l'équipement.**


## 4.4 European Conformance CE mark

The SARA-R410M-02B module product version has been evaluated against the essential requirements of the Radio Equipment Directive 2014/53/EU.

In order to satisfy the essential requirements of the 2014/53/EU RED, the modules are compliant with the following standards:

- Radio Spectrum Efficiency (Article 3.2):
  - EN 301 908-1
  - EN 301 908-13
- Electromagnetic Compatibility (Article 3.1b):
  - EN 301 489-1
  - EN 301 489-52
- Health and Safety (Article 3.1a)
  - EN 62368-1
  - EN 62311

 **Radiofrequency radiation exposure Information: this equipment complies with radiation exposure limits prescribed for an uncontrolled environment for fixed and mobile use conditions. This equipment should be installed and operated with a minimum distance of 20 cm between the radiator and the body of the user or nearby persons. This transmitter must not be co-located or operating in conjunction with any other antenna or transmitter except as authorized in the certification of the product.**

 **The gain of the system antenna(s) used for the SARA-R410M-02B modules (i.e. the combined transmission line, connector, cable losses and radiating element gain) must not exceed the values stated in the Declaration of Conformity of the modules, for mobile and fixed or mobile operating configurations:**

- **8.2 dBi in 800 MHz, i.e. LTE FDD-20 band**
- **8.4 dBi in 900 MHz, i.e. LTE FDD-8 band**
- **11.3 dBi in 1800 MHz, i.e. LTE FDD-3 band**

The conformity assessment procedure for SARA-R410M-02B module, referred to in Article 17 and detailed in Annex II of Directive 2014/53/EU, has been followed.

Thus, the following marking is included in the product:



## 4.5 Taiwanese National Communication Commission

The SARA-R410M-02B module product version has the applicable regulatory approval for Taiwan (NCC)

- SARA-R410M-02B modules NCC ID: CCAA18NB0010T3



## 5 Product testing

### 5.1 u-blox in-series production test

u-blox focuses on high quality for its products. All units produced are fully tested automatically on the production line. Stringent quality control processes have been implemented in the production line. Defective units are analyzed in detail to improve production quality.

This is achieved with automatic test equipment (ATE) in the production line, which logs all production and measurement data. A detailed test report for each unit can be generated from the system. Figure 55 illustrates the typical automatic test equipment (ATE) in a production line.

The following typical tests are among the production tests.

- Digital self-test (firmware download, flash firmware verification, IMEI programming)
- Measurement of voltages and currents
- Adjustment of ADC measurement interfaces
- Functional tests (serial interface communication, SIM card communication)
- Digital tests (GPIOs and other interfaces)
- Measurement and calibration of RF characteristics in all supported bands (such as receiver S/N verification, frequency tuning of the reference clock, calibration of transmitter and receiver power levels, etc.)
- Verification of the RF characteristics after calibration (i.e. modulation accuracy, power levels, spectrum, etc. are checked to ensure they are all within tolerances when calibration parameters are applied)

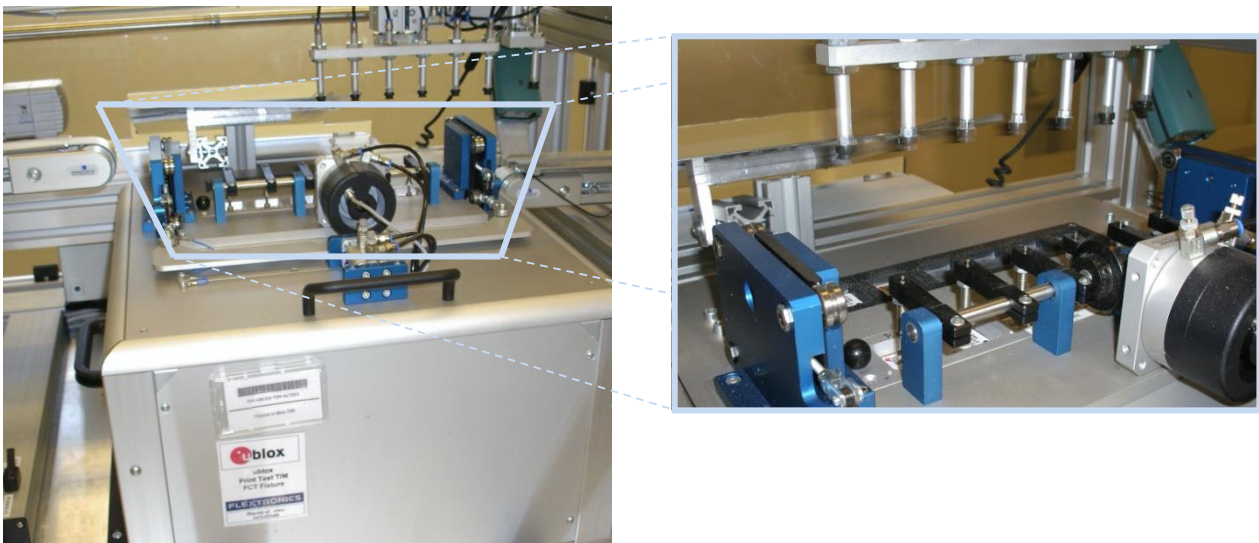


Figure 55: Automatic test equipment for module tests

## 5.2 Test parameters for OEM manufacturers

Because of the testing done by u-blox (with 100% coverage), an OEM manufacturer does not need to repeat the firmware tests or measurements of the module RF performance or tests over analog and digital interfaces in their production test.

However, an OEM manufacturer should focus on:

- Module assembly on the device; it should be verified that:
  - The soldering and handling process did not damage the module components
  - All module pins are well soldered on the device board
  - There are no short circuits between pins
- Component assembly on the device; it should be verified that:
  - Communication with the host controller can be established
  - The interfaces between the module and device are working
  - Overall RF performance test of the device including the antenna

Dedicated tests can be implemented to check the device. For example, the measurement of the module current consumption when set in a specified status can detect a short circuit if compared with a “Golden Device” result. In addition, module AT commands can be used to perform functional tests on the digital interfaces (communication with the host controller, check the SIM interface, GPIOs, etc.) or to perform RF performance tests (see the following section 5.2.2 for details).

### 5.2.1 “Go/No go” tests for integrated devices

A “Go/No go” test is typically used to compare the signal quality with a “Golden Device” in a location with excellent network coverage and known signal quality. This test should be performed after the data connection has been established.



These kinds of test may be useful as a “go/no go” test but not for RF performance measurements.

This test is suitable to check the functionality of communications with the host controller, the SIM card and the power supply. It is also a means to verify if components at the antenna interface are well-soldered.

### 5.2.2 RF functional tests

The overall RF functional test of the device including the antenna can be performed with basic instruments such as a spectrum analyzer (or an RF power meter) and a signal generator with the assistance of the AT+UTEST command over the AT command user interface.

The AT+UTEST command provides a simple interface to set the module to Rx or Tx test modes ignoring the LTE signaling protocol. The command can set the module into:

- transmitting mode in a specified channel and power level in all supported bands
- receiving mode in a specified channel to return the measured power level in all supported bands



See the SARA-R4 series AT Commands Manual [2] for the AT+UTEST command syntax description and detail guide of usage.

This feature allows the measurement of the transmitter and receiver power levels to check the component assembly related to the module antenna interface and to check other device interfaces on which the RF performance depends.

**⚠ To avoid module damage during a transmitter test, a suitable antenna according to module specifications or a 50 Ω termination must be connected to the ANT port.**

**⚠ To avoid module damage during a receiver test, the maximum power level received at the ANT port must meet module specifications.**

**👉** The AT+UATEST command sets the module to emit RF power ignoring LTE signaling protocol. This emission can generate interference that can be prohibited by law in some countries. The use of this feature is intended for testing purposes in controlled environments by qualified users and must not be used during the normal module operation. Follow the instructions suggested in the u-blox documentation. u-blox assumes no responsibilities for the inappropriate use of this feature.

Figure 56 illustrates a typical test setup for such an RF functional test.

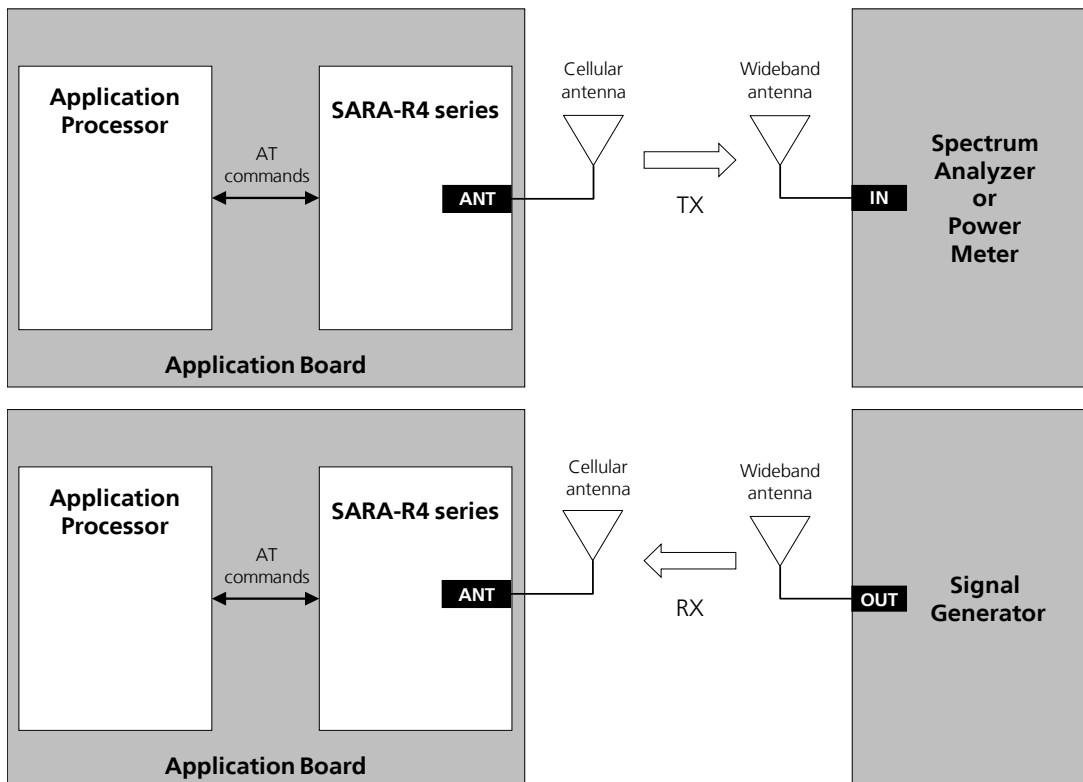


Figure 56: Setup with spectrum analyzer or power meter and signal generator for radiated measurements

# Appendix

## A Migration between SARA modules

### A.1 Overview

The SARA-G3 2G modules, the SARA-U2 3G / 2G modules, the SARA-R4 LTE Cat M1/NB1 / 2G modules and the SARA-N2 LTE Cat NB1 modules have exactly the same u-blox SARA form factor (26.0 x 16.0 mm, 96-pin LGA), with compatible pin assignments, as shown in Figure 57. Any one of the modules can be mounted on a single application board using exactly the same copper mask, solder mask and paste mask.

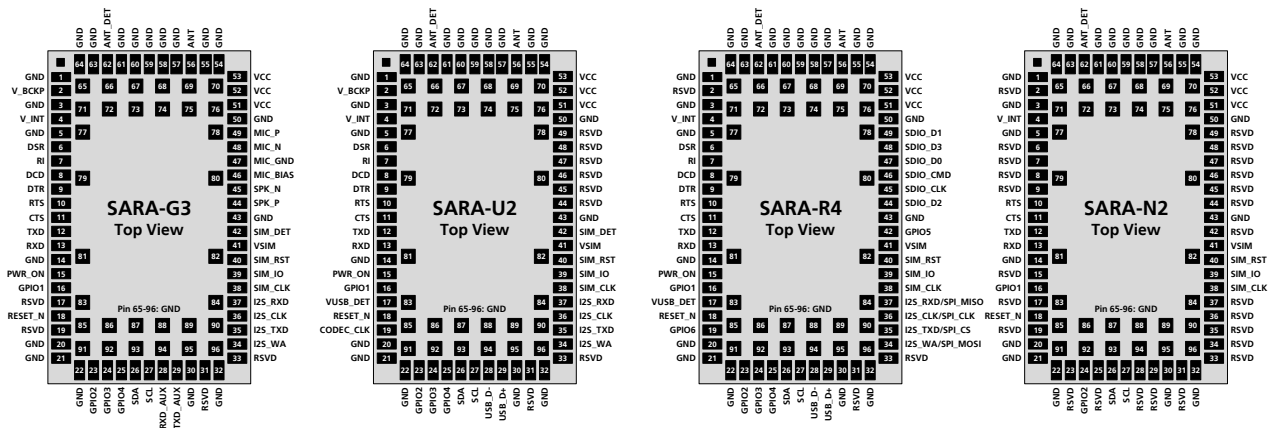


Figure 57: SARA-G3, SARA-U2, SARA-R4 and SARA-N2 series modules' layout and pin assignment

SARA modules are also form-factor compatible with the u-blox LISA, LARA and TOBY cellular module families: although each has a different form factor, the footprints for the TOBY, LISA, SARA and LARA modules have been developed to ensure layout compatibility.

With the u-blox "nested design" solution, any TOBY, LISA, SARA or LARA module can be alternatively mounted on the same space of a single "nested" application board as described in Figure 58. Guidelines for implementing a nested application board, a description of the u-blox reference nested design and a comparison between the TOBY, LISA, SARA and LARA modules are provided in the Nested Design Application Note [21].

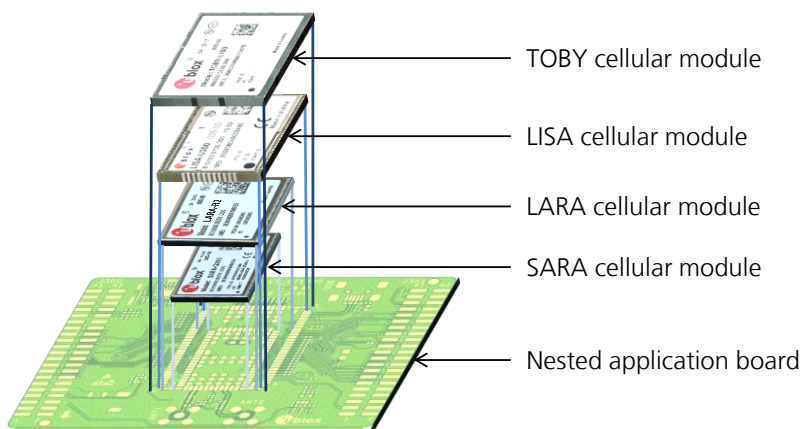


Figure 58: TOBY, LISA, SARA, LARA modules' layout compatibility: all modules are accommodated on the same nested footprint



Table 39 summarizes the interfaces provided by the SARA-G3, SARA-U2, SARA-R4 and SARA-R4 series modules, while Figure 59 summarizes the frequency ranges of the modules' operating bands.

Modules	RAT	Power	System	SIM	Serial	Audio	Other
		Module supply input RTC supply I/O 1.8 V supply Output	Switch-on input Switch-off input Reset input	SIM interface SIM detection	UART UART AUX SPI USB SDIO DDC (I <sup>2</sup> C)	Analog audio Digital audio 13/26 MHz output	GPIOs Network indication Antenna detection GNSS via modem
SARA-G3	2G	• • •	• • •	• •	• • • • •	• •	• • • •
SARA-U2	3G, 2G	• • •	• • •	• •	• • • • •	• •	• • • •
SARA-R4	LTE M1 / NB1, 2G	• •	• • •	• •	• • □ • □ •	□ □	• • • •
SARA-N2	LTE NB1	• •	•	•	• •		• •

• = supported by available product version      □ = supported by future product versions

Table 39: Summary of SARA-G3, SARA-U2, SARA-R4 and SARA-R4 series modules interfaces

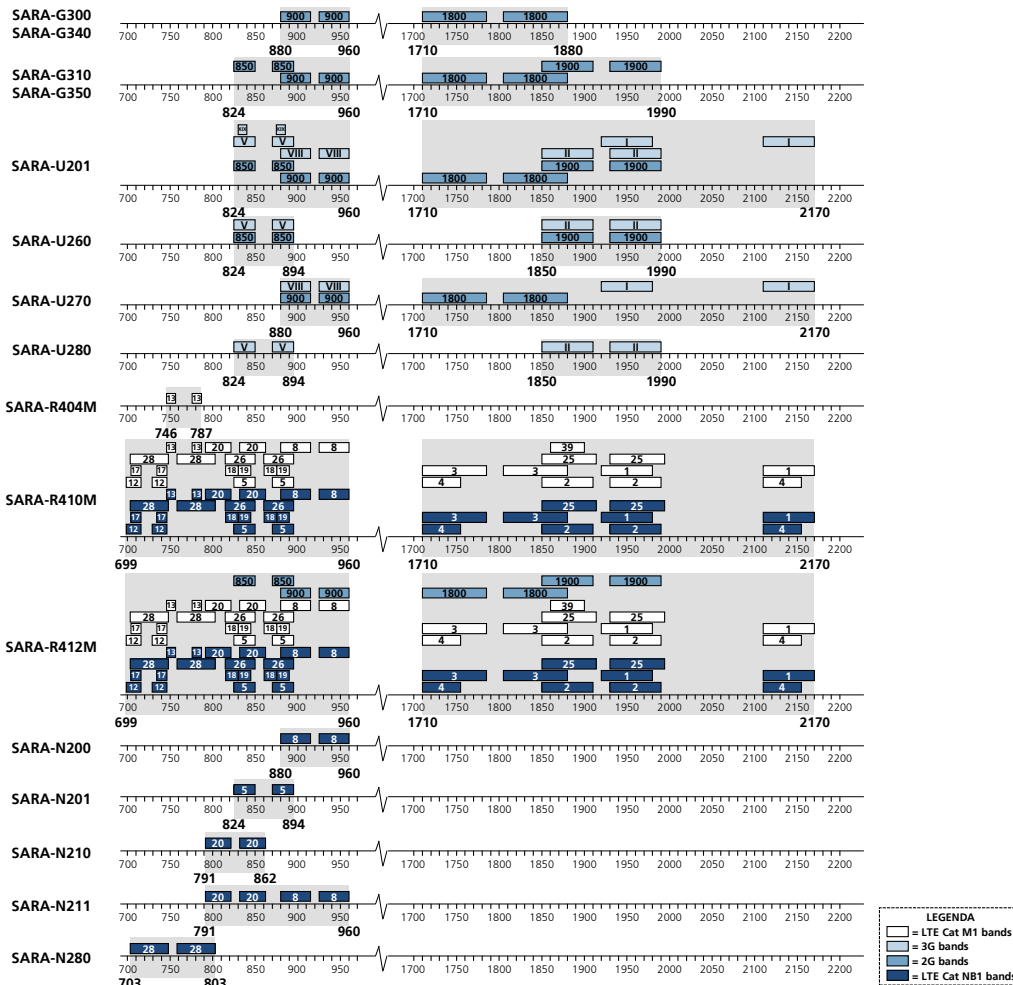


Figure 59: Summary of operating frequency bands supported by SARA-G3, SARA-U2, SARA-R4 and SARA-R4 series modules

## A.2 Pin-out comparison between the SARA-G3, SARA-U2, SARA-R4 and SARA-N2 modules

No	SARA-G3		SARA-U2		SARA-R4		SARA-N2		Remarks for migration
	Pin Name	Description	Pin Name	Description	Pin Name	Description	Pin Name	Description	
1	GND	Ground	GND	Ground	GND	Ground	GND	Ground	
2	V_BCKP	RTC Supply I/O	V_BCKP	RTC Supply I/O	RSVD	Reserved	RSVD	Reserved	RTC supply vs Reserved
3	GND	Ground	GND	Ground	GND	Ground	GND	Ground	
4	V_INT	Interfaces Supply Output: 1.8 V typ, 70 mA max	V_INT	Interfaces Supply Output: 1.8 V typ, 70 mA max	V_INT	Interfaces Supply Output: 1.8 V typ, 70 mA max Switched-off in deep-sleep	V_INT	Interfaces Supply Output: 1.8 V typ, 70 mA max Switched-off when radio is off	V_INT is switched off in deep sleep (R4), or if radio is off (N2) TestPoint always recommended
5	GND	Ground	GND	Ground	GND	Ground	GND	Ground	
6	DSR	UART DSR Output V_INT level (1.8 V) Driver strength: 6 mA	DSR	UART DSR Output V_INT level (1.8 V) Driver strength: 1 mA	DSR	UART DSR Output V_INT level (1.8 V) Driver strength: 2 mA	RSVD	Reserved	Not supported by SARA-N2 Diverse driver strength
7	RI	UART RI Output V_INT level (1.8 V) Driver strength: 6 mA	RI	UART RI Output V_INT level (1.8 V) Driver strength: 2 mA	RI	UART RI Output V_INT level (1.8 V) Driver strength: 2 mA	RSVD	Reserved	Not supported by SARA-N2 Diverse driver strength
8	DCD	UART DCD Output V_INT level (1.8 V) Driver strength: 6 mA	DCD	UART DCD Output V_INT level (1.8 V) Driver strength: 2 mA	DCD	UART DCD Output V_INT level (1.8 V) Driver strength: 2 mA	RSVD	Reserved	Not supported by SARA-N2 Diverse driver strength
9	DTR	UART DTR Input V_INT level (1.8 V) Internal pull-up: ~33 k It must be set low to have greeting text sent over UART	DTR	UART DTR Input V_INT level (1.8 V) Internal pull-up: ~14 k It must be set low to have greeting text sent over UART	DTR	UART DTR Input V_INT level (1.8 V) Internal pull-up: ~100 k It must be set low to have URCs sent over UART	RSVD	Reserved	Not supported by SARA-N2 Diverse internal pull-up value
10	RTS	UART RTS Input V_INT level (1.8 V) Internal pull-up: ~58 k	RTS	UART RTS Input V_INT level (1.8 V) Internal pull-up: ~8 k	RTS	UART RTS Input <sup>16</sup> V_INT level (1.8 V) Internal pull-up: ~100 k It must be set low to use UART on '00', '01' product versions	RTS	UART RTS Input <sup>16</sup> VCC level (3.6 V typ.) Internal pull-up: ~78 k	Diverse level (V_INT vs VCC) Diverse internal pull-up value Diverse functions supported.
11	CTS	UART CTS Output V_INT level (1.8 V) Driver strength: 6 mA	CTS	UART CTS Output V_INT level (1.8 V) Driver strength: 6 mA	CTS	UART CTS Output <sup>16</sup> V_INT level (1.8 V) Driver strength: 2 mA	CTS	UART CTS Output <sup>16</sup> VCC level (3.6 V typ.) Driver strength: 1 mA Configurable as Ring Indicator or Network Indicator	Diverse level (V_INT vs VCC) Diverse driver strength. Diverse functions supported.

<sup>16</sup> Not supported by "00", "01", SARA-R410M-02B product versions and SARA-N2 modules

SARA-G3			SARA-U2		SARA-R4		SARA-N2		Remarks for migration
No	Pin Name	Description	Pin Name	Description	Pin Name	Description	Pin Name	Description	
12	TXD	UART Data Input V_INT level (1.8 V) Internal pull-up: ~18 k	TXD	UART Data Input V_INT level (1.8 V) Internal pull-up: ~8 k	TXD	UART Data Input V_INT level (1.8 V) Internal pull-up/down: ~100k	TXD	UART Data Input VCC level (3.6 V typ.) No internal pull-up/down	Diverse level (V_INT vs VCC) Diverse pull-up / pull-down TestPoint always recommended
13	RXD	UART Data Output V_INT level (1.8 V) Driver strength: 6 mA	RXD	UART Data Output V_INT level (1.8 V) Driver strength: 6 mA	RXD	UART Data Output V_INT level (1.8 V) Driver strength: 2 mA	RXD	UART Data Output VCC level (3.6 V typ.) Driver strength: 1 mA	Diverse level (V_INT vs VCC) Diverse driver strength TestPoint always recommended
14	GND	Ground	GND	Ground	GND	Ground	GND	Ground	
15	PWR_ON	Power-on Input No internal pull-up L-level: -0.10 V ÷ 0.65 V H-level: 2.00 V ÷ 4.50 V ON L-level time: 5 ms min OFF L-level pulse time: Not Available	PWR_ON	Power-on Input No internal pull-up L-level: -0.30 V ÷ 0.65 V H-level: 1.50 V ÷ 4.40 V ON L-level pulse time: 50 µs min / 80 µs max OFF L-level pulse time: 1 s min	PWR_ON	Power-on Input 200 k internal pull-up L-level: -0.30 V ÷ 0.35 V H-level: 1.17 V ÷ 2.10 V ON L-level pulse time: 0.15 s min – 3.2 s max OFF L-level pulse time: 1.5 s min	RSVD	Reserved	Not supported by SARA-N2 Internal vs No internal pull-up Diverse voltage levels. Diverse timings. Diverse functions supported. TestPoint recommended for R4
16	GPIO1 / RSVD	GPIO (G340/G350) Reserved (G300/G310) V_INT level (1.8 V) Default: Pin disabled Driver strength: 6 mA	GPIO1	GPIO V_INT level (1.8 V) Default: Pin disabled Driver strength: 6 mA	GPIO1	GPIO V_INT level (1.8 V) Default: Pin disabled Driver strength: 2 mA	GPIO1	GPIO V_INT level (1.8 V) Configurable as secondary UART data output: TestPoint recommended for diagnostic	Diverse driver strength TestPoint recommended for N2
17	RSVD	Reserved	VUSB_DET	5 V, USB Supply Detect Input	VUSB_DET	5 V, USB Supply Detect Input	RSVD	Reserved	USB detection vs Reserved TestPoint recommended for U2/R4
18	RESET_N	Reset input Internal diode & pull-up L-level: -0.30 V ÷ 0.30 V H-level: 2.00 V ÷ 4.70 V Reset L-level pulse time: 50 ms min (G340/G350) 3 s min (G300/G310)	RESET_N	Abrupt shutdown / reset input 10 kΩ internal pull-up L-level: -0.30 V ÷ 0.51 V H-level: 1.32 V ÷ 2.01 V Reset L-level pulse time: 50 ms min	RESET_N	Abrupt shutdown input 37 k internal pull-up L-level: -0.30 V ÷ 0.35 V H-level: 1.17 V ÷ 2.10 V OFF L-level pulse time: 10 s min	RESET_N	Reset input 78 k internal pull-up L-level: -0.30 V ÷ 0.36*VCC H-level: 0.52*VCC ÷ VCC Reset L-level pulse time: 500 ns min	Diverse internal pull-up Diverse voltage levels. Diverse timings. Diverse functions supported. TestPoint always recommended
19	RSVD	Reserved	CODEC_CLK	13 or 26 MHz Output V_INT level (1.8 V) Default: Pin disabled Driver strength: 4 mA	GPIO6	GPIO V_INT level (1.8 V) Default: Pin disabled Driver strength: 2 mA	RSVD	Reserved	Clock / GPIO vs Reserved
20-22	GND	Ground	GND	Ground	GND	Ground	GND	Ground	

SARA-G3			SARA-U2		SARA-R4		SARA-N2		Remarks for migration
No	Pin Name	Description	Pin Name	Description	Pin Name	Description	Pin Name	Description	
23	GPIO2 / RSVD	GPIO (G340/G350) Reserved (G300/G310) V_INT level (1.8 V) Default: GNSS supply enable Driver strength: 6 mA	GPIO2	GPIO V_INT level (1.8 V) Default: GNSS supply enable Driver strength: 1 mA	GPIO2	GPIO V_INT level (1.8 V) Default: Pin disabled Driver strength: 2 mA	RSVD	Reserved	GPIO vs Reserved
24	GPIO3 / 32K_OUT	GPIO (G340/G350) 32 kHz Output (G300/G310) V_INT level (1.8 V) Default: GNSS data ready Driver strength: 5 mA	GPIO3	GPIO V_INT level (1.8 V) Default: GNSS data ready Driver strength: 6 mA	GPIO3	GPIO V_INT level (1.8 V) Default: Pin disabled Driver strength: 2 mA	GPIO2	GPIO <sup>18</sup> V_INT level (1.8 V) Default: Pin disabled Driver strength: 1 mA	Diverse driver strength
25	GPIO4 / RSVD	GPIO (G340/G350) Reserved (G300/G310) V_INT level (1.8 V) Default: GNSS RTC sharing Driver strength: 6 mA	GPIO4	GPIO V_INT level (1.8 V) Default: GNSS RTC sharing Driver strength: 6 mA	GPIO4	GPIO V_INT level (1.8 V) Default: Output/Low Driver strength: 2 mA	RSVD	Reserved	GPIO vs Reserved
26	SDA / RSVD	I <sup>2</sup> C Data I/O (G340/G350) Reserved (G300/G310) V_INT level (1.8 V) Open drain No internal pull-up	SDA	I <sup>2</sup> C Data I/O V_INT level (1.8 V) Open drain No internal pull-up	SDA	I <sup>2</sup> C Data I/O <sup>17</sup> V_INT level (1.8 V) Open drain Internal 2.2 k pull-up	SDA	I <sup>2</sup> C Data I/O <sup>18</sup> V_INT level (1.8 V) Open drain No internal pull-up	Internal vs No internal pull-up
27	SCL / RSVD	I <sup>2</sup> C Clock Output (G340/G350) Reserved (G300/G310) V_INT level (1.8 V) Open drain No internal pull-up	SCL	I <sup>2</sup> C Clock Output V_INT level (1.8 V) Open drain No internal pull-up	SCL	I <sup>2</sup> C Clock Output <sup>17</sup> V_INT level (1.8 V) Open drain Internal 2.2 k pull-up	SCL	I <sup>2</sup> C Clock Output <sup>18</sup> V_INT level (1.8 V) Open drain No internal pull-up	Internal vs No internal pull-up
28	RXD_AUX	Aux UART Data Out V_INT level (1.8 V)	USB_D-	USB Data I/O (D-) High-Speed USB 2.0	USB_D-	USB Data I/O (D-) High-Speed USB 2.0	RSVD	Reserved	USB / AUX UART vs Reserved TestPoint recommended for SARA-G3/U2/R4 modules
29	TXD_AUX	Aux UART Data In V_INT level (1.8 V)	USB_D+	USB Data I/O (D+) High-Speed USB 2.0	USB_D+	USB Data I/O (D+) High-Speed USB 2.0	RSVD	Reserved	USB / AUX UART vs Reserved TestPoint recommended for SARA-G3/U2/R4 modules
30	GND	Ground	GND	Ground	GND	Ground	GND	Ground	
31	RSVD / EXT32K	Reserved (G340/G350) 32 kHz Input (G300/G310)	RSVD	Reserved	RSVD	Reserved	RSVD	Reserved	32 kHz Input vs Reserved
32	GND	Ground	GND	Ground	GND	Ground	GND	Ground	
33	RSVD	It must be connected to GND	RSVD	It must be connected to GND	RSVD	It can be connected to GND	RSVD	It can be connected to GND	

<sup>17</sup> Not supported by "00" and "01" product versions

<sup>18</sup> Not supported by "02" product versions

SARA-G3			SARA-U2		SARA-R4		SARA-N2		Remarks for migration
No	Pin Name	Description	Pin Name	Description	Pin Name	Description	Pin Name	Description	
34	I2S_WA / RSVD	I <sup>2</sup> S Word Align.(G340/G350) Reserved (G300/G310) V_INT level (1.8 V) Driver strength: 6 mA	I2S_WA	I <sup>2</sup> S Word Alignment V_INT level (1.8 V) Driver strength: 2 mA	I2S_WA / SPI_MOSI	I <sup>2</sup> S Word Alignm <sup>19</sup> / SPI MOSI <sup>19</sup> V_INT level (1.8 V) Driver strength: 2 mA	RSVD	Reserved	I2S vs SPI vs Reserved
35	I2S_TXD / RSVD	I <sup>2</sup> S Data Output (G340/G350) Reserved (G300/G310) V_INT level (1.8 V) Driver strength: 5 mA	I2S_TXD	I <sup>2</sup> S Data Output V_INT level (1.8 V) Driver strength: 2 mA	I2S_TXD / SPI_CS	I <sup>2</sup> S Data Out <sup>19</sup> / SPI chip select <sup>19</sup> V_INT level (1.8 V) Driver strength: 2 mA	RSVD	Reserved	I2S vs SPI vs Reserved
36	I2S_CLK / RSVD	I <sup>2</sup> S Clock (G340/G350) Reserved (G300/G310) V_INT level (1.8 V) Driver strength: 5 mA	I2S_CLK	I <sup>2</sup> S Clock V_INT level (1.8 V) Driver strength: 2 mA	I2S_CLK / SPI_CLK	I <sup>2</sup> S Clock <sup>19</sup> / SPI clock <sup>19</sup> V_INT level (1.8 V) Driver strength: 2 mA	RSVD	Reserved	I2S vs SPI vs Reserved
37	I2S_RXD / RSVD	I <sup>2</sup> S Data Input (G340/G350) Reserved (G300/G310) V_INT level (1.8 V)	I2S_RXD	I <sup>2</sup> S Data Input V_INT level (1.8 V)	I2S_RXD / SPI_MISO	I <sup>2</sup> S Data Input <sup>19</sup> / SPI MISO <sup>19</sup> V_INT level (1.8 V)	RSVD	Reserved	I2S vs SPI vs Reserved
38	SIM_CLK	1.8V/3V SIM Clock Output	SIM_CLK	1.8V/3V SIM Clock Output	SIM_CLK	1.8V/3V SIM Clock Output	SIM_CLK	1.8V SIM Clock Output	
39	SIM_IO	1.8V/3V SIM Data I/O Internal 4.7 k pull-up	SIM_IO	1.8V/3V SIM Data I/O Internal 4.7 k pull-up	SIM_IO	1.8V/3V SIM Data I/O Internal 4.7 k pull-up	SIM_IO	1.8V SIM Data I/O Internal 4.7 k pull-up	
40	SIM_RST	1.8V/3V SIM Reset Output	SIM_RST	1.8V/3V SIM Reset Output	SIM_RST	1.8V/3V SIM Reset Output	SIM_RST	1.8V SIM Reset Output	
41	VSIM	1.8V/3V SIM Supply Output	VSIM	1.8V/3V SIM Supply Output	VSIM	1.8V/3V SIM Supply Output	VSIM	1.8V SIM Supply Output	
42	SIM_DET	SIM Detection Input V_INT level (1.8 V)	SIM_DET	SIM Detection Input V_INT level (1.8 V)	GPIO5	SIM Detection Input V_INT level (1.8 V)	RSVD	Reserved	SIM Detection vs Reserved
43	GND	Ground	GND	Ground	GND	Ground	GND	Ground	
44	SPK_P / RSVD	Analog Audio Out (+) / Reserved	RSVD	Reserved	SDIO_D2	SDIO serial data [2] <sup>19</sup>	RSVD	Reserved	Analog Audio vs SDIO vs RSVD
45	SPK_N / RSVD	Analog Audio Out (-) / Reserved	RSVD	Reserved	SDIO_CLK	SDIO serial clock <sup>19</sup>	RSVD	Reserved	Analog Audio vs SDIO vs RSVD
46	MIC_BIAS / RSVD	Microphone Supply Out / Reserved	RSVD	Reserved	SDIO_CMD	SDIO command <sup>19</sup>	RSVD	Reserved	Analog Audio vs SDIO vs RSVD
47	MIC_GND / RSVD	Microphone Ground / Reserved	RSVD	Reserved	SDIO_D0	SDIO serial data [0] <sup>19</sup>	RSVD	Reserved	Analog Audio vs SDIO vs RSVD
48	MIC_N / RSVD	Analog Audio In (-) / Reserved	RSVD	Reserved	SDIO_D3	SDIO serial data [3] <sup>19</sup>	RSVD	Reserved	Analog Audio vs SDIO vs RSVD
49	MIC_P / RSVD	Analog Audio In (+) / Reserved	RSVD	Reserved	SDIO_D1	SDIO serial data [1] <sup>19</sup>	RSVD	Reserved	Analog Audio vs SDIO vs RSVD
50	GND	Ground	GND	Ground	GND	Ground	GND	Ground	

<sup>19</sup> Not supported by "00", "01" and "02" product version

No	SARA-G3		SARA-U2		SARA-R4		SARA-N2		Remarks for migration
	Pin Name	Description	Pin Name	Description	Pin Name	Description	Pin Name	Description	
51-53	VCC	Module Supply Input Normal op. range: 3.35 V – 4.5 V Extended op. range: 3.00 V – 4.5 V Current consumption: ~2.0A pulse current in 2G (recommended $\geq 100\mu\text{F}$ cap.) Switch-on by applying VCC	VCC	Module Supply Input Normal op. range: 3.3 V – 4.4 V Extended op. range: 3.1 V – 4.5 V Current consumption: ~2.0A pulse current in 2G (recommended $\geq 100\mu\text{F}$ cap.) Ferrite bead for GHz noise recommended for U201 Switch-on by applying VCC	VCC	Module Supply Input Normal op. range: 3.2 V – 4.2 V Extended op. range: 3.0 V – 4.3 V Current consumption: ~2.0A pulse current in 2G (recommended $\geq 100\mu\text{F}$ cap.) ~0.5A pulse current in LTE (recommended $\geq 10\mu\text{F}$ cap.) No switch-on by applying VCC	VCC	Module Supply Input Normal op. range: 3.1 V – 4.0 V Extended op. range: 2.75 V – 4.2 V Current consumption: ~0.3A pulse current in NB-IoT (recommended $\geq 100\mu\text{F}$ cap.) Switch-on by applying VCC	Diverse voltage levels. Diverse current consumption. Diverse recommended external capacitors and other parts. Regular pF / nF recommended Diverse functions supported.
54-55	GND	Ground	GND	Ground	GND	Ground	GND	Ground	
56	ANT	RF Antenna I/O	ANT	RF Antenna I/O	ANT	RF Antenna I/O	ANT	RF Antenna I/O	Diverse bands supported (summarized in Figure 59)
57-61	GND	Ground	GND	Ground	GND	Ground	GND	Ground	
62	ANT_DET / RSVD	Antenna Detection Input / Reserved	ANT_DET	Antenna Detection Input	ANT_DET	Antenna Detection Input	ANT_DET	Antenna Detection Input <sup>20</sup>	Antenna Detection vs Reserved
63-96	GND	Ground	GND	Ground	GND	Ground	GND	Ground	

**Table 40: SARA-G3, SARA-U2, SARA-R4 and SARA-N2 series modules pin assignments with remarks for migration**


For further details regarding the characteristics, capabilities, usage or settings applicable for each interface of the SARA-G3, SARA-U2, SARA-R4 and SARA-N2 series cellular modules, see the related Data Sheet [1], [16], [17], [18], the related System Integration Manual [19], [20], and the Nested Design Application Note [21].

<sup>20</sup> Not supported by "02" product version

## B Glossary

2G	2nd Generation Cellular Technology (GSM, GPRS, EGPRS)
3G	3rd Generation Cellular Technology (UMTS, HSDPA, HSUPA)
3GPP	3rd Generation Partnership Project
8-PSK	8 Phase-Shift Keying modulation
16QAM	16-state Quadrature Amplitude Modulation
ACM	Abstract Control Model
ADC	Analog to Digital Converter
AP	Application Processor
ASIC	Application-Specific Integrated Circuit
AT	AT Command Interpreter Software Subsystem, or attention
Cat	Category
CCC	China Compulsory Certificate
CE	European Conformity
DC	Direct Current
DCE	Data Communication Equipment
DDC	Display Data Channel interface
DL	Down-Link (Reception)
DRX	Discontinuous Reception
DSP	Digital Signal Processing
DTE	Data Terminal Equipment
EDGE	Enhanced Data rates for GSM Evolution (EGPRS)
eDRX	Extended Discontinuous Reception
EGPRS	Enhanced General Packet Radio Service (EDGE)
EMC	Electro-Magnetic Compatibility
EMI	Electro-Magnetic Interference
ESD	Electro-Static Discharge
ESR	Equivalent Series Resistance
E-UTRA	Evolved Universal Terrestrial Radio Access
FCC	Federal Communications Commission United States
FDD	Frequency Division Duplex
FEM	Front End Module
FOAT	Firmware Over AT commands
FOTA	Firmware Over The Air
FTP	File Transfer Protocol
FW	Firmware
GCF	Global Certification Forum
GMSK	Gaussian Minimum-Shift Keying modulation
GND	Ground
GNSS	Global Navigation Satellite System
GPIO	General Purpose Input Output
GPRS	General Packet Radio Service
GPS	Global Positioning System
HBM	Human Body Model
HTTP	HyperText Transfer Protocol
HW	Hardware
IFT	Federal Telecommunications Institute Mexico
I <sup>2</sup> C	Inter-Integrated Circuit interface
I <sup>2</sup> S	Inter IC Sound interface

IP	Internet Protocol
ISED	Innovation, Science and Economic Development Canada
LDO	Low-Dropout
LGA	Land Grid Array
LNA	Low Noise Amplifier
LPWA	Low Power Wide Area
LTE	Long Term Evolution
LWM2M	Open Mobile Alliance Lightweight Machine-to-Machine protocol
M2M	Machine-to-Machine
MQTT	Message Queuing Telemetry Transport
N/A	Not Applicable
N.A.	Not Available
NAS	Non Access Stratum
OEM	Original Equipment Manufacturer device: an application device integrating a u-blox cellular module
OTA	Over The Air
PA	Power Amplifier
PCM	Pulse Code Modulation
PCN	Product Change Notification / Sample Delivery Note / Information Note
PFM	Pulse Frequency Modulation
PSM	Power Saving Mode
PTCRB	PCS Type Certification Review Board
PWM	Pulse Width Modulation
QPSK	Quadrature Phase Shift Keying
RAT	Radio Access Technology
RF	Radio Frequency
RSE	Radiated Spurious Emission
RTC	Real Time Clock
SAW	Surface Acoustic Wave
SDIO	Secure Digital Input Output
SIM	Subscriber Identification Module
SMS	Short Message Service
SPI	Serial Peripheral Interface
SRF	Self-Resonant Frequency
SRRC	State Radio Regulation Committee China
SSL	Secure Socket Layer
TBD	To Be Defined
TCP	Transmission Control Protocol
TDD	Time Division Duplex
TDMA	Time Division Multiple Access
TIS	Total Isotropic Sensitivity
TP	Test-Point
TRP	Total Radiated Power
UART	Universal Asynchronous Receiver-Transmitter
UDP	User Datagram Protocol
UICC	Universal Integrated Circuit Card
UL	Up-Link (Transmission)
UMTS	Universal Mobile Telecommunications System
USB	Universal Serial Bus
VoLTE	Voice over LTE
VSWR	Voltage Standing Wave Ratio



## Related documents

- [1] u-blox SARA-R4 series Data Sheet, document number UBX-16024152
- [2] u-blox SARA-R4 series AT Commands Manual, document number UBX-17003787
- [3] u-blox EVK-R4 User Guide, document number UBX-16029216
- [4] Universal Serial Bus Revision 2.0 specification, [http://www.usb.org/developers/docs/usb20\\_docs/](http://www.usb.org/developers/docs/usb20_docs/)
- [5] ITU-T Recommendation V.24 - 02-2000 - List of definitions for interchange circuits between Data Terminal Equipment (DTE) and Data Circuit-terminating Equipment (DCE), <http://www.itu.int/rec/T-REC-V.24-200002-l/en>
- [6] 3GPP TS 27.007 - AT command set for User Equipment (UE)
- [7] 3GPP TS 27.005 - Use of Data Terminal Equipment - Data Circuit terminating; Equipment (DTE - DCE) interface for Short Message Service (SMS) and Cell Broadcast Service (CBS)
- [8] 3GPP TS 27.010 - Terminal Equipment to User Equipment (TE-UE) multiplexer protocol
- [9] I<sup>2</sup>C-bus specification and user manual - Rev. 5 - 9 October 2012 - NXP Semiconductors, [http://www.nxp.com/documents/user\\_manual/UM10204.pdf](http://www.nxp.com/documents/user_manual/UM10204.pdf)
- [10] GSM Association TS.09 - Battery Life Measurement and Current Consumption Technique, [https://www.gsma.com/newsroom/wp-content/uploads/TS.09\\_v10.0.pdf](https://www.gsma.com/newsroom/wp-content/uploads/TS.09_v10.0.pdf)
- [11] 3GPP TS 36.521-1 - Evolved Universal Terrestrial Radio Access; User Equipment conformance specification; Radio transmission and reception; Part 1: Conformance Testing
- [12] 3GPP TS 36.521-2 - Evolved Universal Terrestrial Radio Access (E-UTRA); User Equipment conformance specification; Radio transmission and reception; Part 2: Implementation Conformance Statement (ICS)
- [13] 3GPP TS 36.523-2 - Evolved Universal Terrestrial Radio Access (E-UTRA) and Evolved Packet Core (EPC); User Equipment conformance specification; Part 2: Implementation Conformance Statement (ICS)
- [14] u-blox End user test Application Note, document number UBX-13001922
- [15] u-blox Package Information Guide, document number UBX-14001652
- [16] u-blox SARA-G3 series Data Sheet, document number UBX-13000993
- [17] u-blox SARA-U2 series Data Sheet, document number UBX-13005287
- [18] u-blox SARA-N2 series Data Sheet, document number UBX-15025564
- [19] u-blox SARA-G3 / SARA-U2 series System Integration Manual, document number UBX-13000995
- [20] u-blox SARA-N2 series System Integration Manual, document number UBX-17005143
- [21] u-blox Nested Design Application Note, document number UBX-16007243

Some of the above documents can be downloaded from the u-blox web-site (<http://www.u-blox.com/>).

## Revision history

Revision	Date	Name	Status / Comments
R01	31-Jan-2017	sfal	Initial release for SARA-R4 series modules
R02	05-May-2017	sfal / sses	Updated supported features and characteristics Extended document applicability to SARA-R410M-01B product version
R03	24-May-2017	sses	Updated supported features and electrical characteristics
R04	19-Jul-2017	sses	Updated supported features and electrical characteristics Added FCC and ISED info for SARA-R410M-01B modules Extended document applicability to SARA-R410M-02B product version
R05	17-Aug-2017	sses	Updated supported features for "02" product version
R06	30-Oct-2017	sses	Updated supported features for "02" product version
R07	04-Jan-2018	sses	Updated SARA-R410M-02B product status Updated USB, Power Saving and GPIO features description Improved Power-on sequence guidelines description Added I2C design guidelines description
R08	26-Feb-2018	sses	Updated SARA-R410M-02B product status Extended document applicability to SARA-R412M-02B product version Corrected power-on sequence description Corrected UART MUX description
R09	09-May-2018	sses	Updated SARA-R410M-02B and SARA-R412M-02B product status Updated features support plan for the product versions Updated UART TXD and CTS info Updated Approvals info and related remarks Added description of AT Inactivity Timer to enter deep sleep power saving mode

# Contact

For complete contact information, visit us at <http://www.u-blox.com/>

## u-blox Offices

### North, Central and South America

#### u-blox America, Inc.

Phone: +1 703 483 3180  
E-mail: [info\\_us@u-blox.com](mailto:info_us@u-blox.com)

#### Regional Office West Coast:

Phone: +1 408 573 3640  
E-mail: [info\\_us@u-blox.com](mailto:info_us@u-blox.com)

#### Technical Support:

Phone: +1 703 483 3185  
E-mail: [support\\_us@u-blox.com](mailto:support_us@u-blox.com)

### Headquarters Europe, Middle East, Africa

#### u-blox AG

Phone: +41 44 722 74 44  
E-mail: [info@u-blox.com](mailto:info@u-blox.com)  
Support: [support@u-blox.com](mailto:support@u-blox.com)

### Asia, Australia, Pacific

#### u-blox Singapore Pte. Ltd.

Phone: +65 6734 3811  
E-mail: [info\\_ap@u-blox.com](mailto:info_ap@u-blox.com)  
Support: [support\\_ap@u-blox.com](mailto:support_ap@u-blox.com)

#### Regional Office Australia:

Phone: +61 2 8448 2016  
E-mail: [info\\_au@u-blox.com](mailto:info_au@u-blox.com)  
Support: [support\\_ap@u-blox.com](mailto:support_ap@u-blox.com)

#### Regional Office China (Beijing):

Phone: +86 10 68 133 545  
E-mail: [info\\_cn@u-blox.com](mailto:info_cn@u-blox.com)  
Support: [support\\_cn@u-blox.com](mailto:support_cn@u-blox.com)

#### Regional Office China (Chongqing):

Phone: +86 23 6815 1588  
E-mail: [info\\_cn@u-blox.com](mailto:info_cn@u-blox.com)  
Support: [support\\_cn@u-blox.com](mailto:support_cn@u-blox.com)

#### Regional Office China (Shanghai):

Phone: +86 21 6090 4832  
E-mail: [info\\_cn@u-blox.com](mailto:info_cn@u-blox.com)  
Support: [support\\_cn@u-blox.com](mailto:support_cn@u-blox.com)

#### Regional Office China (Shenzhen):

Phone: +86 755 8627 1083  
E-mail: [info\\_cn@u-blox.com](mailto:info_cn@u-blox.com)  
Support: [support\\_cn@u-blox.com](mailto:support_cn@u-blox.com)

#### Regional Office India:

Phone: +91 80 4050 9200  
E-mail: [info\\_in@u-blox.com](mailto:info_in@u-blox.com)  
Support: [support\\_in@u-blox.com](mailto:support_in@u-blox.com)

#### Regional Office Japan (Osaka):

Phone: +81 6 6941 3660  
E-mail: [info\\_jp@u-blox.com](mailto:info_jp@u-blox.com)  
Support: [support\\_jp@u-blox.com](mailto:support_jp@u-blox.com)

#### Regional Office Japan (Tokyo):

Phone: +81 3 5775 3850  
E-mail: [info\\_jp@u-blox.com](mailto:info_jp@u-blox.com)  
Support: [support\\_jp@u-blox.com](mailto:support_jp@u-blox.com)

#### Regional Office Korea:

Phone: +82 2 542 0861  
E-mail: [info\\_kr@u-blox.com](mailto:info_kr@u-blox.com)  
Support: [support\\_kr@u-blox.com](mailto:support_kr@u-blox.com)

#### Regional Office Taiwan:

Phone: +886 2 2657 1090  
E-mail: [info\\_tw@u-blox.com](mailto:info_tw@u-blox.com)  
Support: [support\\_tw@u-blox.com](mailto:support_tw@u-blox.com)