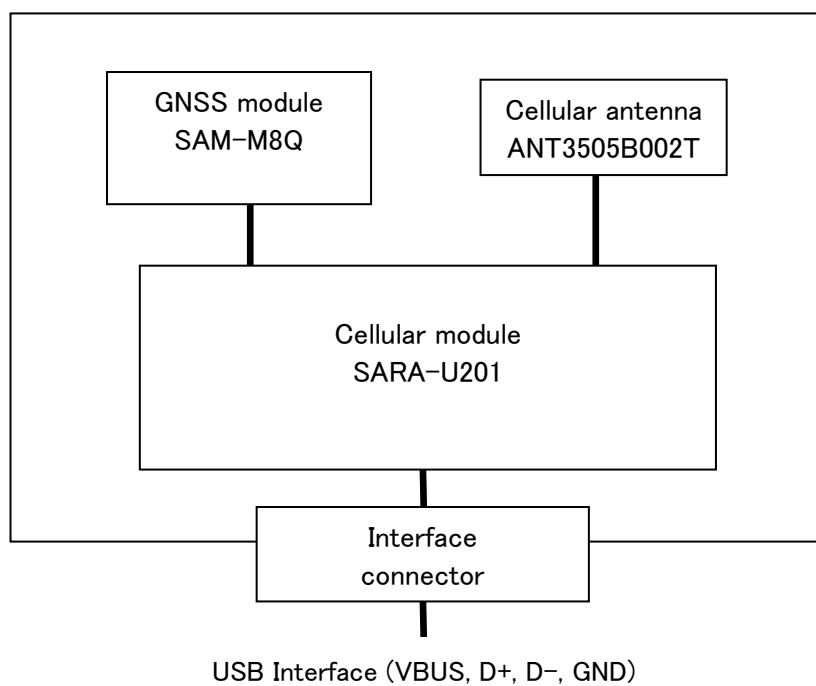


SPECIFICATIONS

Product	Mobile Communication Unit
Model	YSAR03-3G
Cellular Module Model	u-blox AG SARA-U201
Antenna Model	Yageo Corporation ANT3505B002TWPENS
Bands	FCC-GSM 850/1900、CE-GSM 900/1800 FCC-UMTS 850/1900、CE-UMTS 900/2100 Japan-UMTS 800
Localization	GPS, SBAS, QZSS, GLONASS
External Dimensions (W × H × D)	71mm × 57.4mm × 32mm
Weight	0.05kg
Case	ABS resin
Power Supply	DC5V
Current Consumption	MAX 2A
Storage Temperature Range	-40°C ~ 85°C
Operating Temperature Range	-30°C ~ 65°C
Operating Humidity Range	95%(55°C)
Vibration Resistance	90m/s ² (8.9G)10 ~ 500Hz

COMPONENTS

SYSTEM BLOCK DIAGRAM



EXTERNAL DIMENSIONS

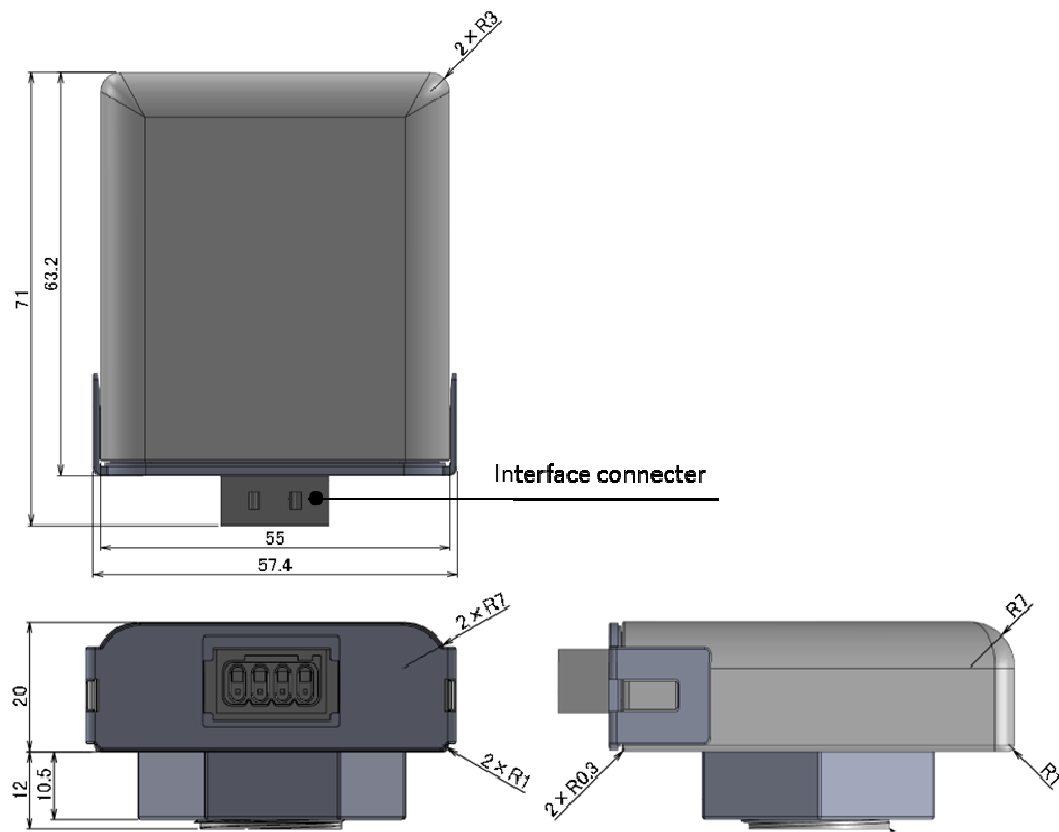
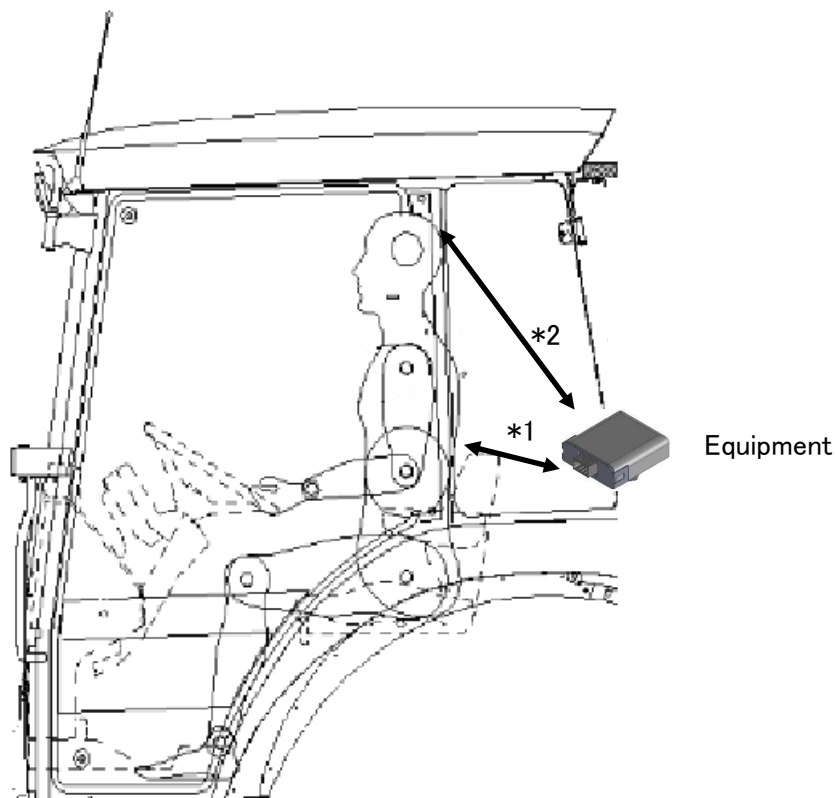


FIGURE OF THE INSTALLATION



*1 : The minimum distance between this equipment and your head is 20 cm.

*2 : The minimum distance between this equipment and your body is 20 cm.

The installation position of this equipment will be different depending on each machine.

NOTICE TO INSTALL

Do not install this equipment to a place where

- it will receive strong vibrations, impacts, direct sunshine and rain.
- temperature rises or lowers extremely, or changes rapidly.

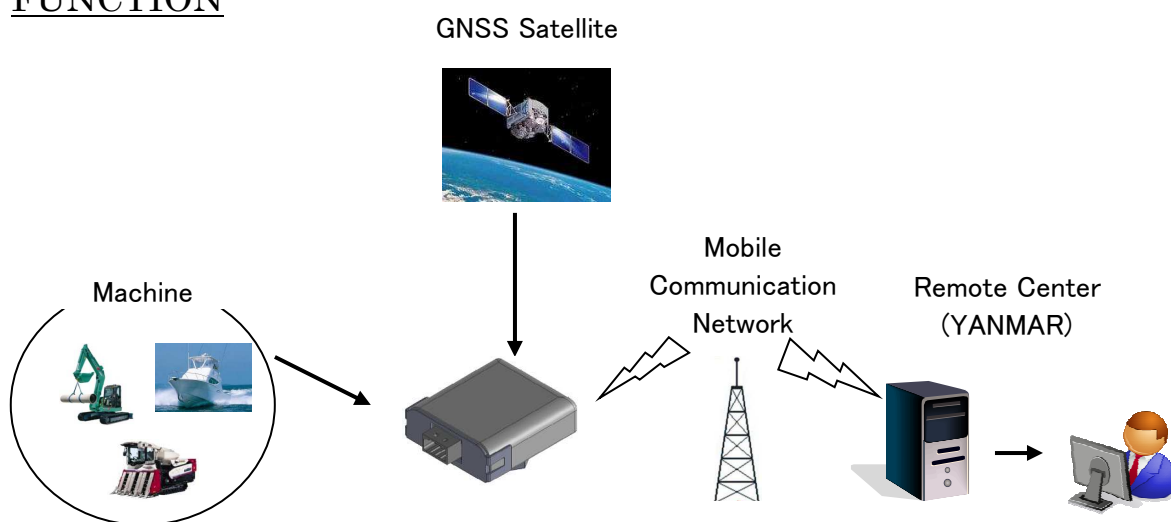
FUNCTION OVERVIEW

ABOUT INSTALL

This equipment is installed to Products made by YANMAR.

Ex) Agriculture, Construction, and Marine Machine, or Engine, etc.

FUNCTION



This equipment has some following functions.

This equipment can

- collect the state of the operation machine.
- get the position by GNSS.
- communicate with the remote center by a mobile communication network.

This equipment communicates with the remote center, when the machine operating starts or finishes, or various events occur.

FCC Statement:

This device complies with part 15 of the FCC Rules. Operation is subject to the following two conditions:

- (1) This device may not cause harmful interference, and
- (2) this device must accept any interference received, including interference that may cause undesired operation.

NOTE: This equipment has been tested and found to comply with the limits for a Class B digital device, pursuant to part 15 of the FCC Rules. These limits are designed to provide reasonable protection against harmful interference in a residential installation.

This equipment generates, uses and can radiate radio frequency energy and, if not installed and used in accordance with the instructions, may cause harmful interference to radio communications. However, there is no guarantee that interference will not occur in a particular installation.

If this equipment does cause harmful interference to radio or television reception, which can be determined by turning the equipment off and on, the user is encouraged to try to correct the interference by one or more of the following measures:

- Reorient or relocate the receiving antenna.
- Increase the separation between the equipment and receiver.
- Connect the equipment into an outlet on a circuit different from that to which the receiver is connected.
- Consult the dealer or an experienced radio/TV technician for help.

Changes or modifications not expressly approved by the party responsible for compliance could void the user's authority to operate the equipment.

This equipment complies with FCC radiation exposure limits set forth for an uncontrolled environment. This equipment should be installed and operated with a minimum distance of 20 cm between the radiator and a human body.