

13 12 11 10 9 8 7 6 5 4 3 2 1 0 1 2 3 4 5 6
250% MAX. 500% MAX. 880% MAX. 500% MAX.



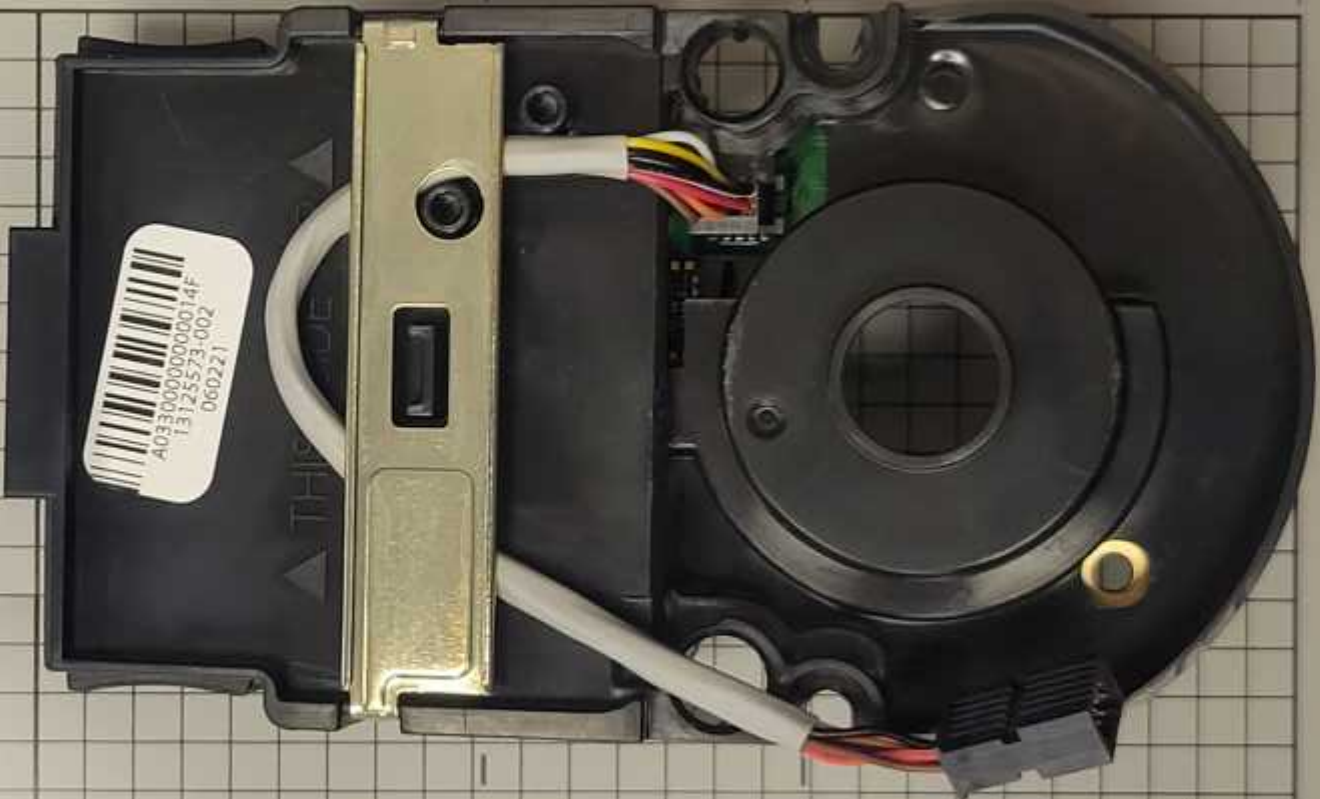
Prog. Co.
User Code
User Code B
FE789WB



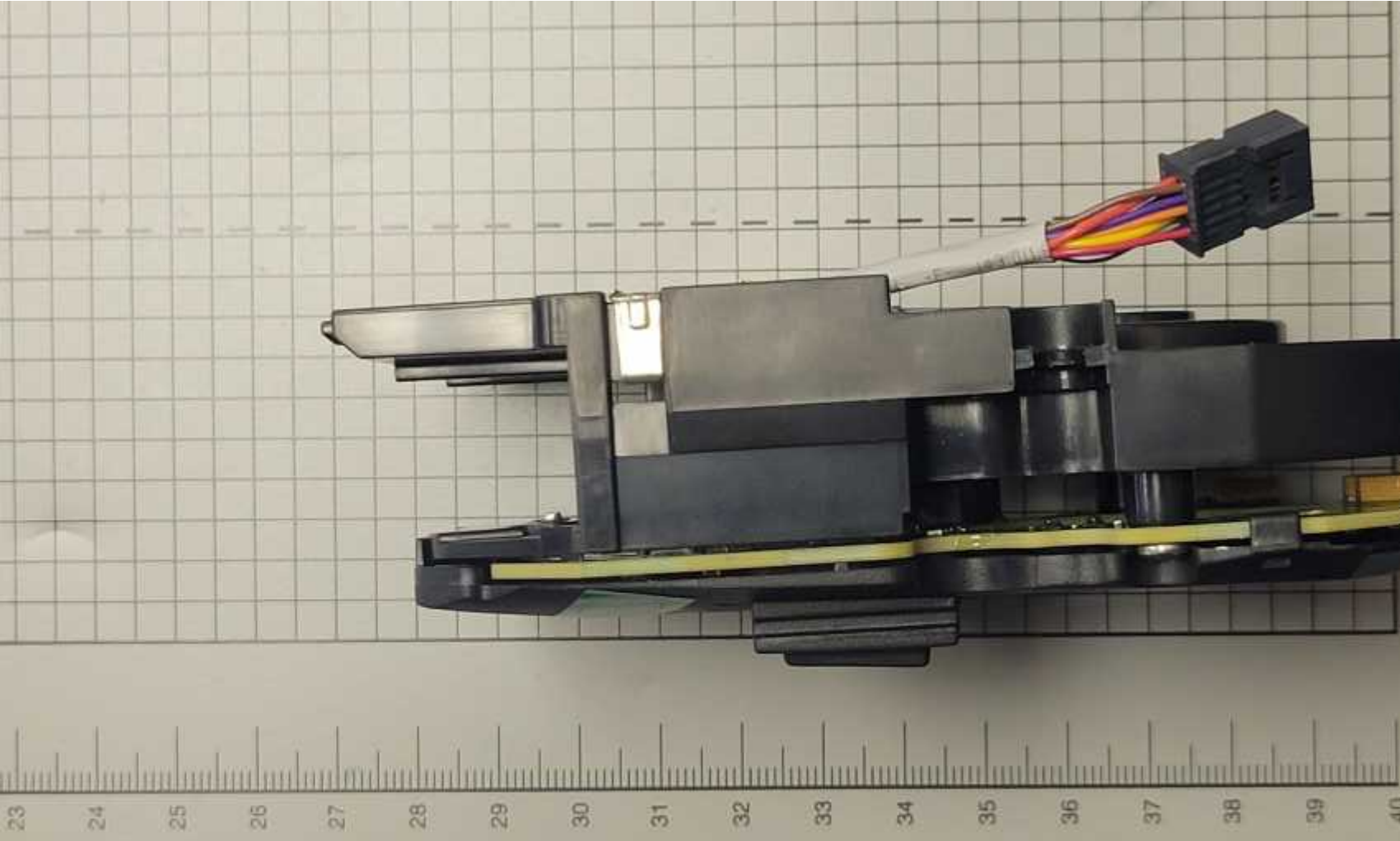
S/N: 01

40 39 38 37 36 35 34 33 32 31 30

13 12 11 10 9 8 7 6 5 4 3 2 1 0 1 2 3 4 5 6
500% MAX. 880% MAX. 500% MAX. 250% MAX.



40 39 38 37 36 35 34 33 32 31 30

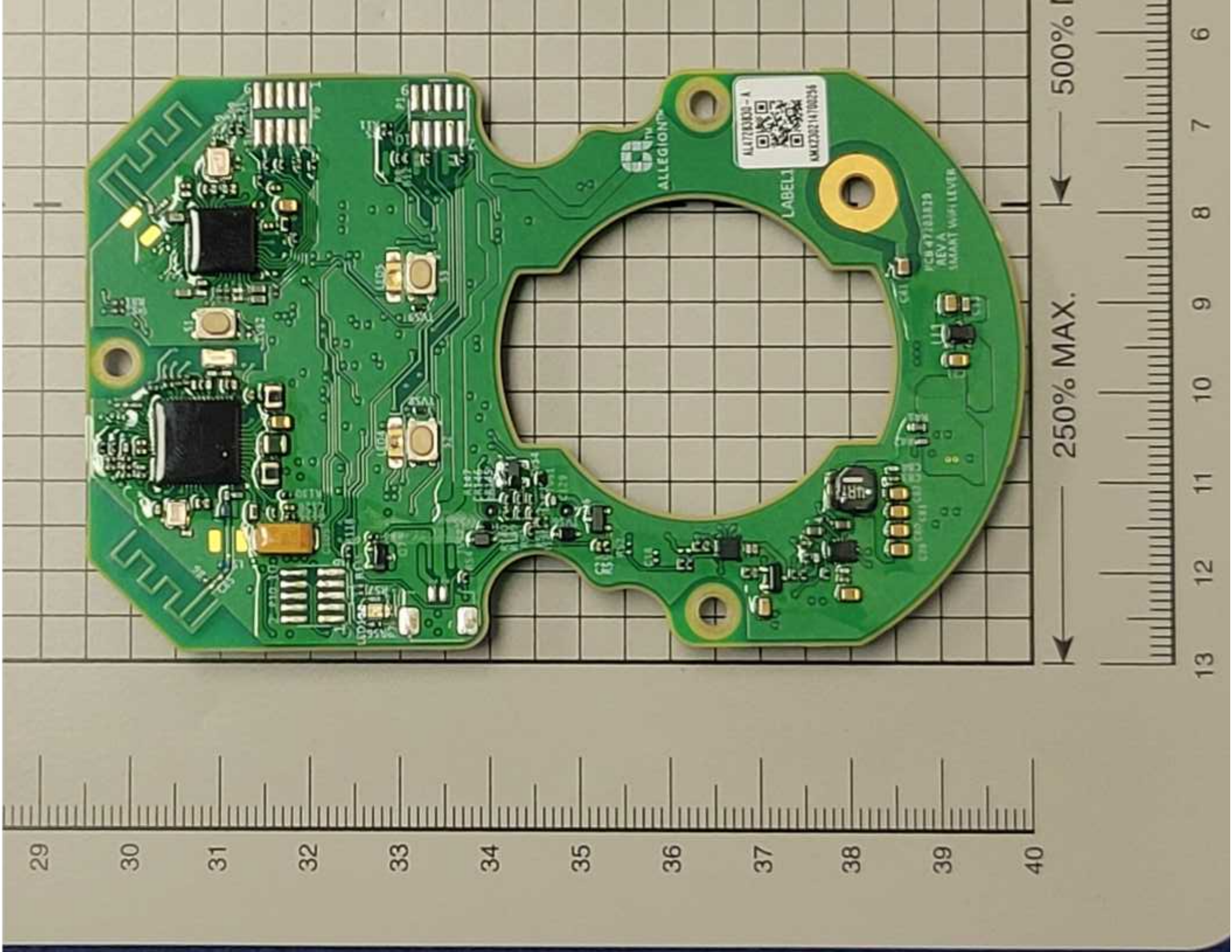


500% M
AX.









ALLEGION™

AL778300-A
MK2021470026

LABEL1

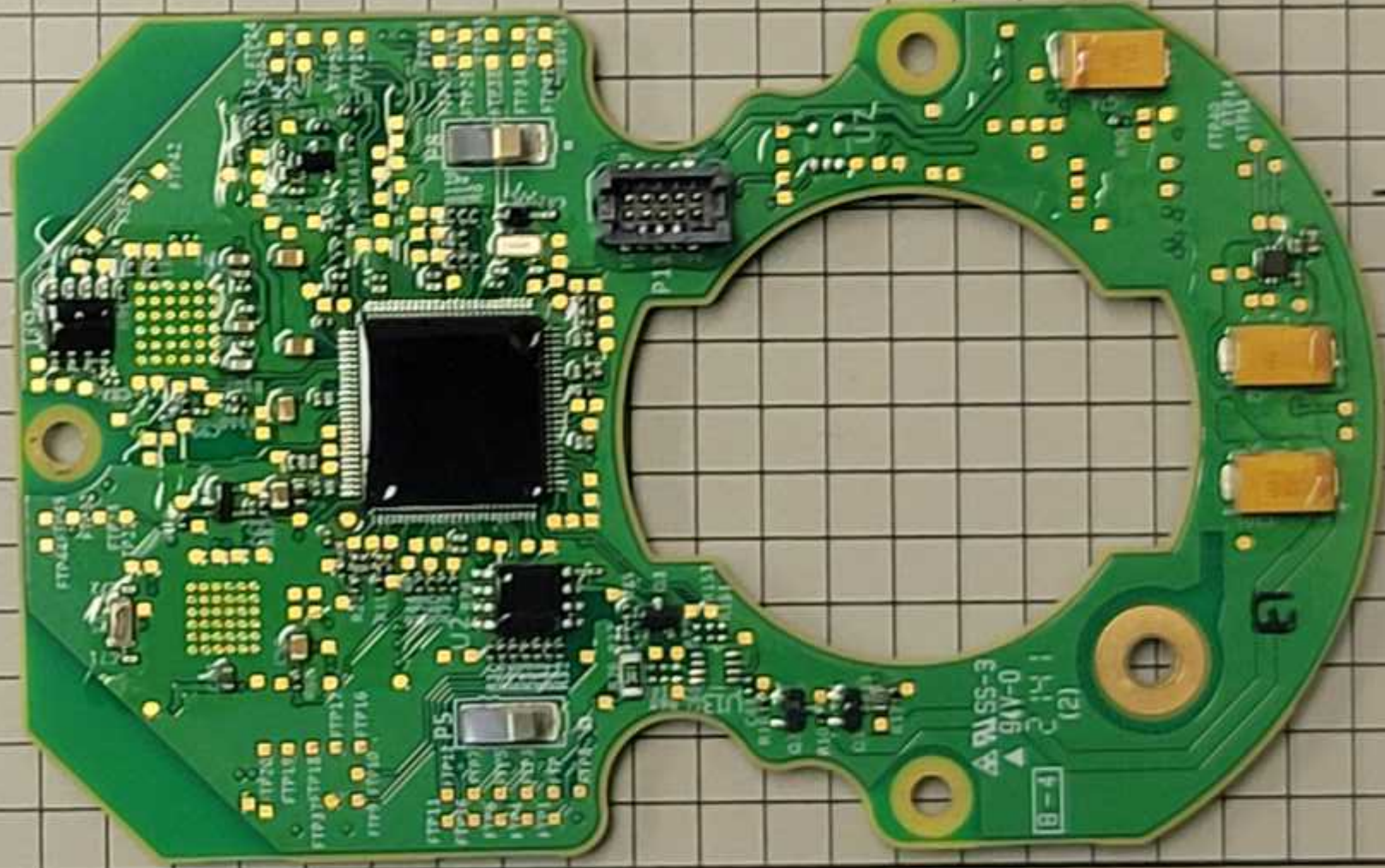
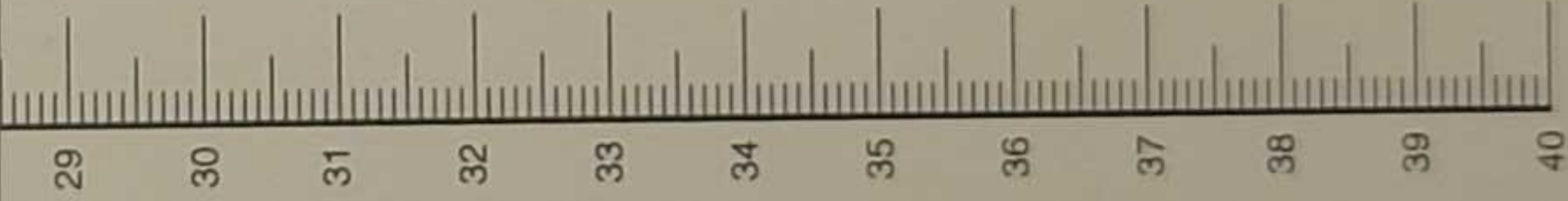
PCB 47183339
REV A
SMART WASH LEVER

250% MAX.

500% MAX.

29 30 31 32 33 34 35 36 37 38 39 40

6 7 8 9 10 11 12 13



250% MAX. 500% MAX.



29 30 31 32 33 34 35 36 37 38 39 40

6 7 8 9 10 11 12 13



