



P516-106



AD-Series Reader Replacement
AD-Series Reader Replacement
AD-Series Reader Replacement

Instrucciones de instalación

Installation Instructions

Notice d'installation

Note

If installing reader on WPR400, see the user guide for reader installation instructions.
If installing reader on WPR400, see the user guide for reader installation instructions.
If installing reader on WPR400, see the user guide for reader installation instructions.

Note

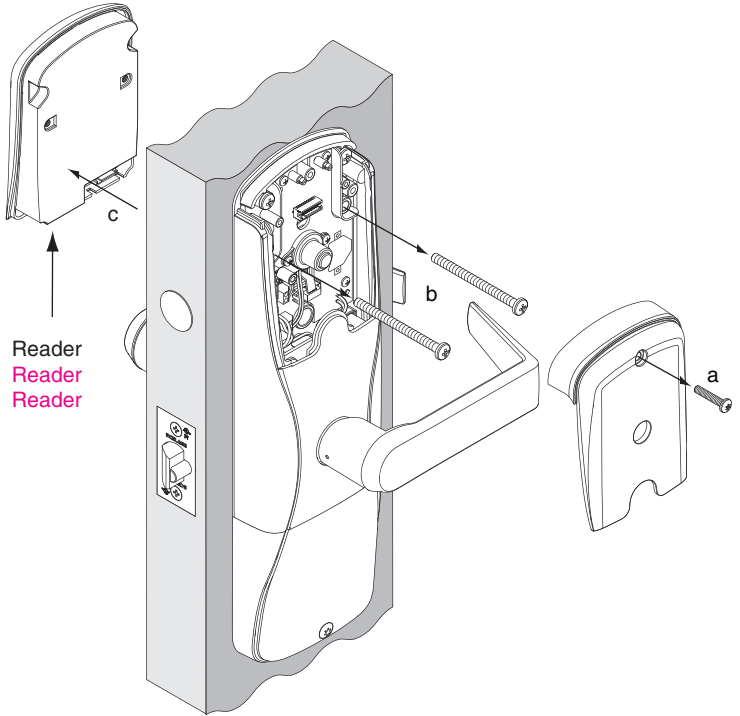
Note

1. Find drawing of lock type (Cylindrical, Mortise, or Exit Device).
2. Remove existing reader as shown.
3. Install new reader.
4. Reassemble in reverse order.

1. Find drawing of lock type (Cylindrical, Mortise, or Exit Device).
2. Remove existing reader as shown.
3. Install new reader.
4. Reassemble in reverse order.

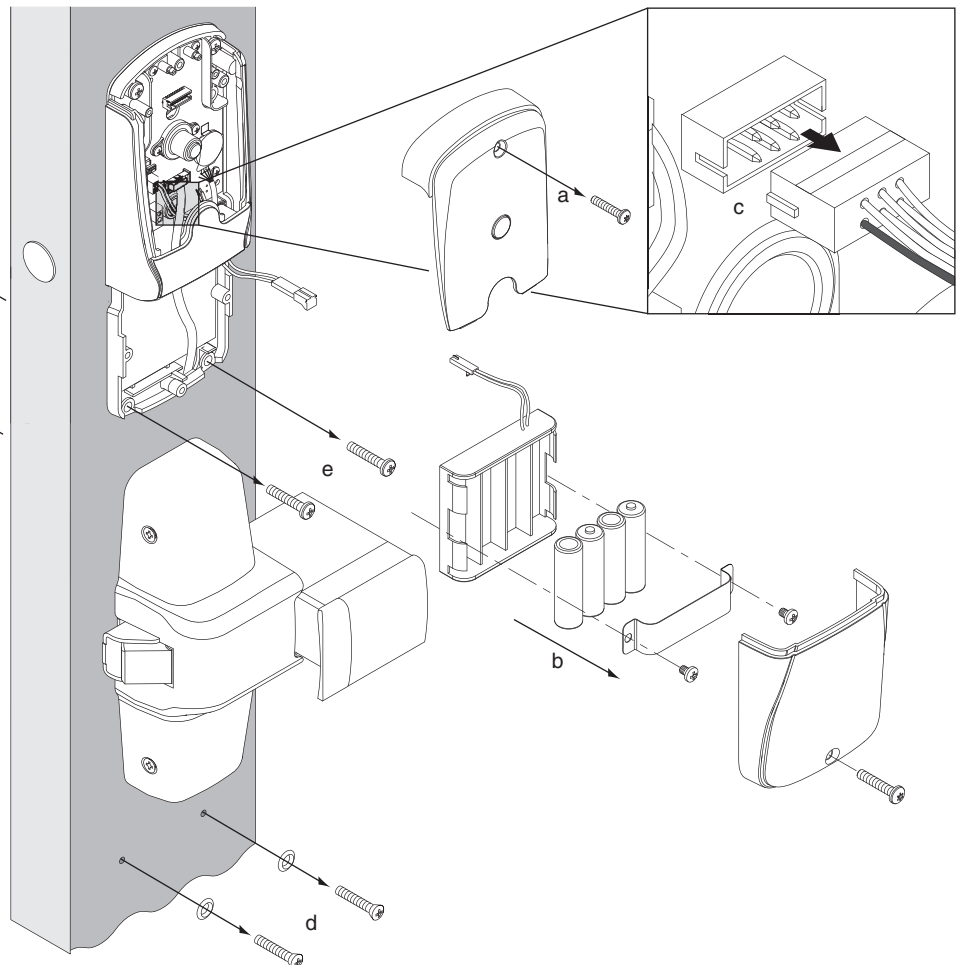
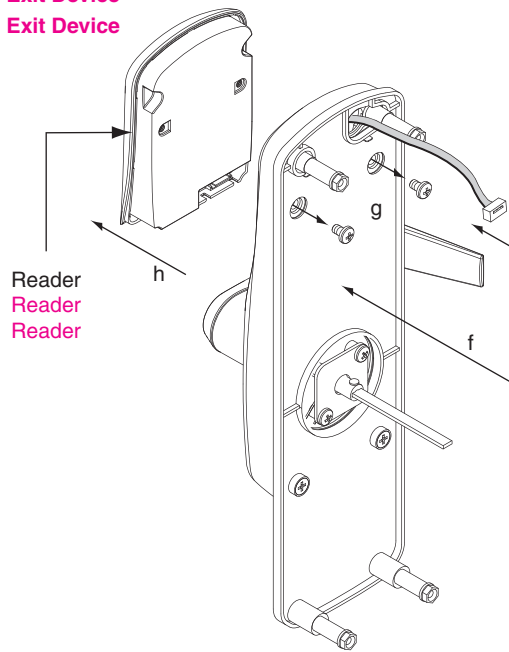
1. Find drawing of lock type (Cylindrical, Mortise, or Exit Device).
2. Remove existing reader as shown.
3. Install new reader.
4. Reassemble in reverse order.

Cylindrical or Mortise
Cylindrical or Mortise
Cylindrical or Mortise



Exit Device

Exit Device
Exit Device



Ingersoll Rand
Agency Statements

Compliance Statement (Part 15.19)

This device complies with Part 15 of the FCC Rules.

Operation is subject to the following two conditions:

1. This device may not cause harmful interference, and
2. This device must accept any interference received, including interference that may cause undesired operation.

Warning (Part 15.21)

Changes or modifications not expressly approved by the party responsible for compliance could void the user's authority to operate the equipment.

FCC Interference Statement (Part 15.105 (b))

This equipment has been tested and found to comply with the limits for a Class B digital device, pursuant to Part 15 of the FCC Rules. These limits are designed to provide reasonable protection against harmful interference in a residential installation. This equipment generates uses and can radiate radio frequency energy and, if not installed and used in accordance with the instructions, may cause harmful interference to radio communications. However, there is no guarantee that interference will not occur in a particular installation. If this equipment does cause harmful interference to radio or television reception, which can be determined by turning the equipment off and on, the user is encouraged to try to correct the interference by one of the following measures:

- Reorient or relocate the receiving antenna.
- Increase the separation between the equipment and receiver.
- Connect the equipment into an outlet on a circuit different from that to which the receiver is connected.
- Consult the dealer or an experienced radio/TV technician for help.

RF Exposure Statement

To comply with FCC/IC RF exposure requirements for mobile transmitting devices, this transmitter should only be used or installed at locations where there is at least 20cm separation distance between the antenna and all persons.

Section 7.1.5 of RSS-GEN

Operation is subject to the following two conditions:

- 1) this device may not cause interference, and
- 2) this device must accept any interference, including interference that may cause undesired operation of the device.

" Contains Transmitter Module FCC ID: XPB-COMAD400"

" Contains Transmitter Module IC: 8053B-COMAD400"



P516-106



AD-Series Reader Replacement
AD-Series Reader Replacement
AD-Series Reader Replacement

Instrucciones de instalación

Installation Instructions

Notice d'installation

Note

If installing reader on WPR400, see the user guide for reader installation instructions.
If installing reader on WPR400, see the user guide for reader installation instructions.
If installing reader on WPR400, see the user guide for reader installation instructions.

Note

Note

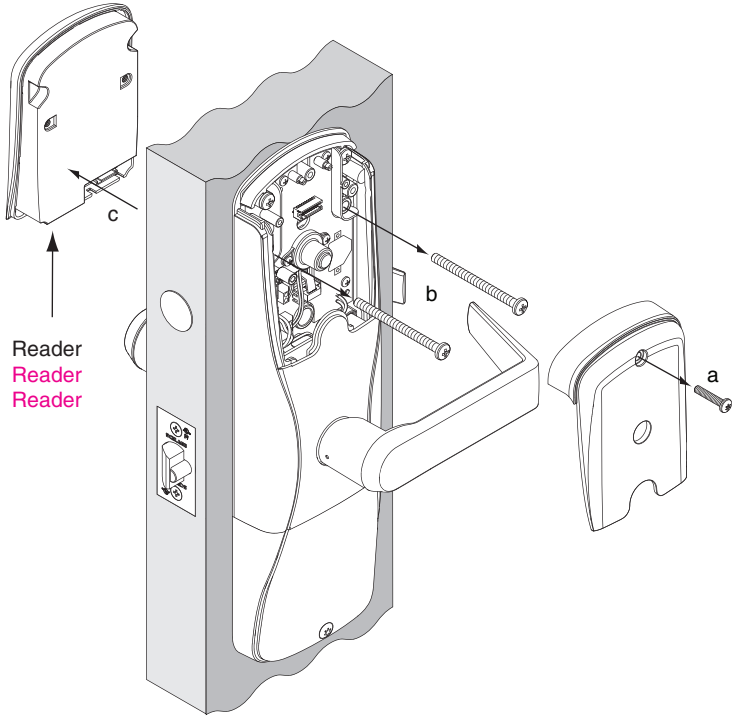
1. Find drawing of lock type (Cylindrical, Mortise, or Exit Device).
2. Remove existing reader as shown.
3. Install new reader.
4. Reassemble in reverse order.

1. Find drawing of lock type (Cylindrical, Mortise, or Exit Device).
2. Remove existing reader as shown.
3. Install new reader.
4. Reassemble in reverse order.

1. Find drawing of lock type (Cylindrical, Mortise, or Exit Device).
2. Remove existing reader as shown.
3. Install new reader.
4. Reassemble in reverse order.

Cylindrical or Mortise

Cylindrical or Mortise
Cylindrical or Mortise



Exit Device

Exit Device
Exit Device

