



P516-106



AD-Series Reader Replacement  
AD-Series Reader Replacement  
AD-Series Reader Replacement

Instrucciones de instalación

Installation Instructions

Notice d'installation

**Note**

If installing reader on WPR400, see the user guide for reader installation instructions.  
If installing reader on WPR400, see the user guide for reader installation instructions.  
If installing reader on WPR400, see the user guide for reader installation instructions.

**Note**

**Note**

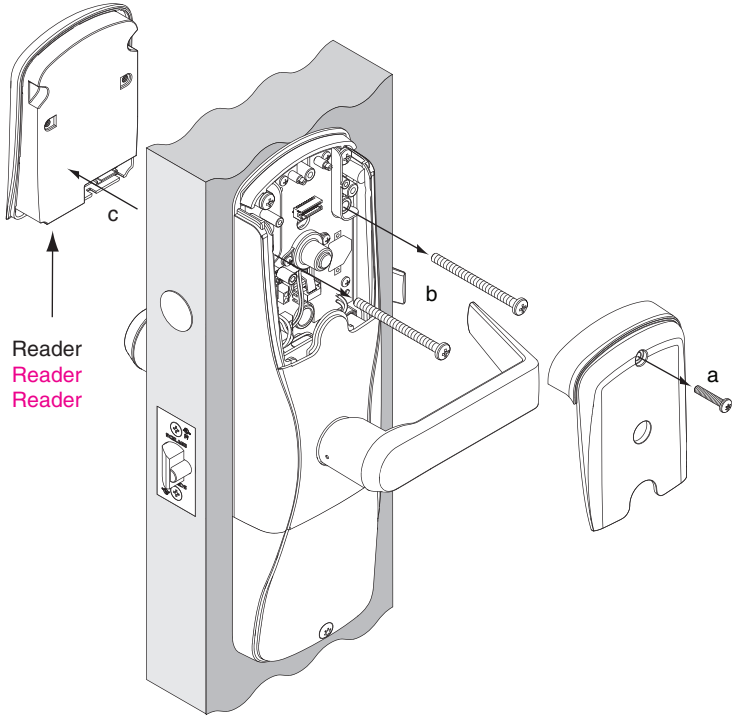
1. Find drawing of lock type (Cylindrical, Mortise, or Exit Device).
2. Remove existing reader as shown.
3. Install new reader.
4. Reassemble in reverse order.

1. Find drawing of lock type (Cylindrical, Mortise, or Exit Device).
2. Remove existing reader as shown.
3. Install new reader.
4. Reassemble in reverse order.

1. Find drawing of lock type (Cylindrical, Mortise, or Exit Device).
2. Remove existing reader as shown.
3. Install new reader.
4. Reassemble in reverse order.

**Cylindrical or Mortise**

**Cylindrical or Mortise**  
**Cylindrical or Mortise**



**Exit Device**

**Exit Device**  
**Exit Device**

