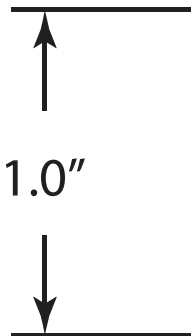
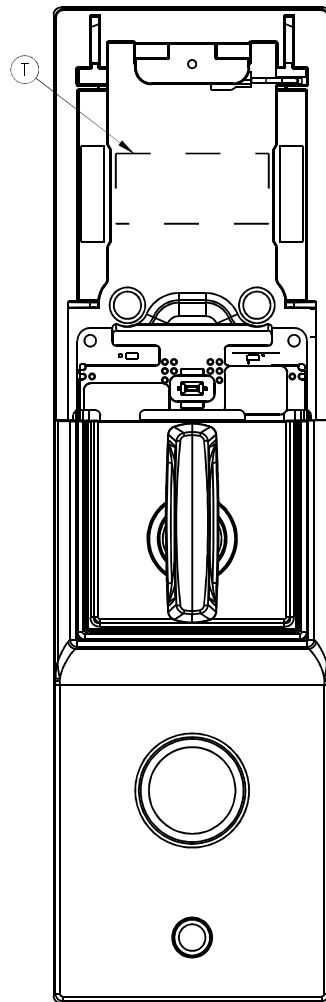


Schlage Lock Company

FCC/IC Model #: LE-ADD

This device complies with Part 15 of the FCC Rules. Operation is subject to the following two conditions:
1) this device may not cause harmful interference, and
2) this device must accept any interference received, including interference that may cause undesired operation.

FCC ID: XPB-LE
IC: 8053B-LE
Contains FCC ID: QOQBGM111 & Z64-CC3100MODR1
Contains IC ID: 5123A-BGM111 & 451I-CC3200MODR1



Schlage Lock Company

FCC/IC Model #: LE-GRW

This device complies with Part 15 of the FCC Rules. Operation is subject to the following two conditions:
1) this device may not cause harmful interference, and
2) this device must accept any interference received, including interference that may cause undesired operation.

FCC ID: XPB-LE
IC: 8053B-LE
Contains FCC ID: QOQBGM111 & Z64-CC3100MODR1
Contains IC ID: 5123A-BGM111 & 451I-CC3200MODR1

