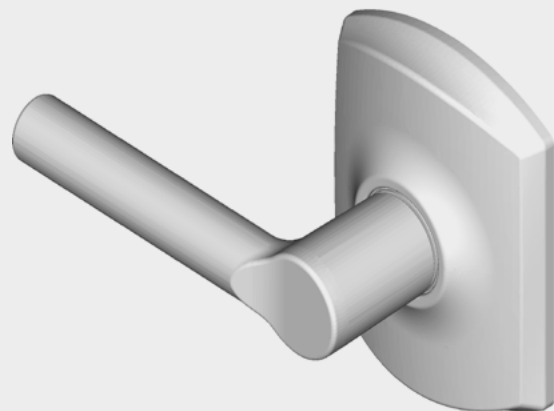
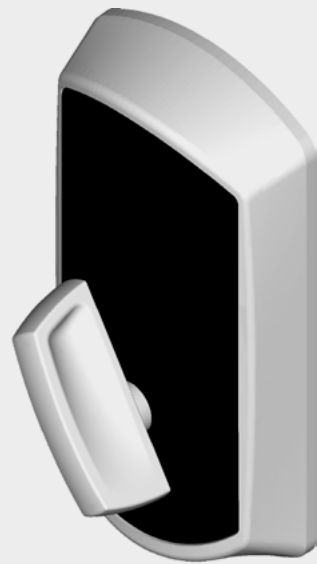


SCHLAGE

Multifamily locks

with Engage technology

User guide





Multifamily Locks™

User Guide

Contents

- 3 Warranty
- 4 Standard Operation**
 - 4 Operation from the Inside
 - 4 Operation from the Outside
- 5 Lock Indicator Guide**
- 6 Changing the Batteries**
 - 6 BE467 Deadbolt
 - 6 FE410 Interconnect
- 7 Battery Jump**
- 8 Construction Mode**
- 8 Factory Default Reset**
- 9 Getting Started with the ENGAGE™ Mobile Application**
- 10 Troubleshooting**

FCC Statement

This equipment has been tested and found to comply with the limits for a Class B digital device, pursuant to Part 15 of the FCC Rules. These limits are designed to provide reasonable protection against harmful interference in a residential installation. This equipment generates, uses, and can radiate radio frequency energy and, if not installed and used in accordance with the instructions, may cause harmful interference to radio communication. However, there is no guarantee that interference will not occur in a particular installation. If this equipment does cause harmful interference to radio or television reception, which can be determined by turning the equipment off and on, the user is encouraged to try to correct the interference by one of the following measures:

- Reorient or relocate the receiving antenna.
- Increase the separation between the equipment and receiver.
- Connect the equipment into an outlet on a circuit different from that to which the receiver is connected.
- Consult the dealer or an experienced radio/TV technician for help.

FCC Caution: Any changes or modifications not expressly approved by the party responsible for compliance could void the user's authority to operate this equipment. This device complies with Part 15 of the FCC Rules. Operation is subject to the following two conditions: (1) This device may not cause harmful interference, and (2) this device must accept any interference received, including interference that may cause undesired operation.

FCC Radiation Exposure Statement

To comply with FCC/IC RF exposure requirements for mobile transmitting devices, this transmitter should only be used or installed at locations where there is at least 20 cm separation distance between the antenna and all persons.

Industry Canada Statement

Under Industry Canada regulations, this radio transmitter may only operate using an antenna of a type and maximum (or lesser) gain approved for the transmitter by Industry Canada. To reduce potential radio interference to other users, the antenna type and its gain should be so chosen that the equivalent isotropically radiated power (e.i.r.p.) is not more than that permitted for successful communication.

Industrie Canada Déclaration

Conformément à la réglementation d'Industrie Canada, le présent émetteur radio peut fonctionner avec une antenne d'un type et d'un gain maximal (ou inférieur) approuvé pour l'émetteur par Industrie Canada. Dans le but de réduire les risques de brouillage radioélectrique à l'intention des autres utilisateurs, il faut choisir le type d'antenne et son gain de sorte que la puissance isotrope rayonnée équivalente (p.i.r.e.) ne dépasse pas l'intensité nécessaire à l'établissement d'une communication satisfaisante.

Industry Canada Radiation Exposure Statement

This Device complies with Industry Canada License-exempt RSS standard(s). Operation is subject to the following two conditions: (1) this device may not cause interference, and (2) this device must accept any interference, including interference that may cause undesired operation of the device.

Industrie Canada l'exposition aux radiations

Le présent appareil est conforme aux CNR d'Industrie Canada applicables aux appareils radio exempts de licence. L'exploitation est autorisée aux deux conditions suivantes : (1) l'appareil ne doit pas produire de brouillage, et (2) l'appareil doit accepter tout brouillage radioélectrique subi, même si le brouillage est susceptible d'en compromettre le fonctionnement.

Warranty

Lifetime Limited Mechanical and Finish Warranty and 3-Year Limited Electronics Warranty

Subject to the terms and conditions of the warranty, Schlage extends a lifetime limited mechanical and finish warranty and a three-year limited electronics warranty to the original consumer user ("Original User") of our Schlage brand product ("Product") against defects in material and workmanship, as long as the Original User occupies the residential premises upon which the Product was originally installed.

See answers.schlage.com for specific warranty details and limitations, or contact Schlage Customer Service at (888) 805-9837 in the U.S., 800-997-4734 in Canada or 018005067866 in Mexico for assistance.

Need Help?



U.S.A.: 1-888-805-9837

www.allegion.com/us

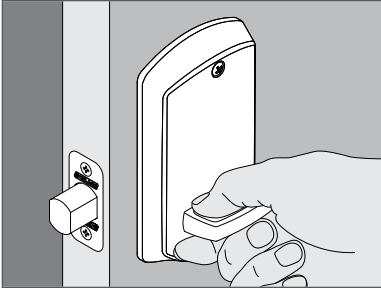
Standard Operation

Standard Operation

Operation from the Inside

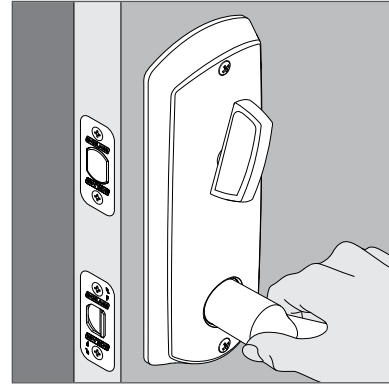
Locking All Locks

Rotate the bolt throw toward the door edge.



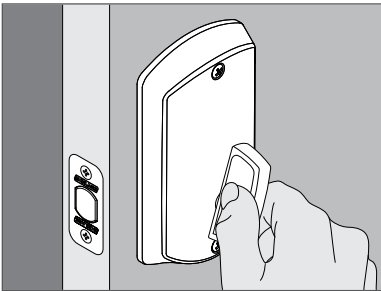
Unlocking FE210

Rotate the lever. Both the latch and bolt will retract at the same time.



Unlocking the BE467

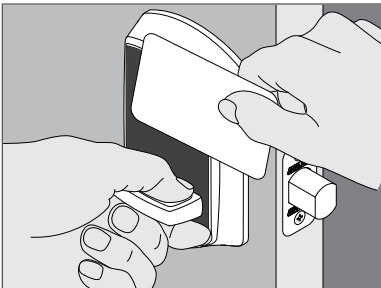
Rotate the bolt throw away from the door edge.



Operation from the Outside

Locking All Locks

1. Present credential (phone or card).
2. Wait for the green light and a beep.
3. Rotate the bolt throw toward the door edge.



Unlocking All Locks

1. Present credential (phone or card).
2. Wait for the green light and a beep.
3. Rotate the bolt throw away from the door edge.



Lock Indicator Guide

Feature	Actions	Lights	Beeps
Factory Default Reset (FDR)	Successful initiation	2 Green	2
	Failed to start after successful initiation	2 Red, Long	2 Long
	Complete	2 Green, Long	1 Long
	Failed	2 Red, Long	2 Long
Low Battery	Delay before unlock	9 Battery	—
Credential	Normal access granted	1 Green, Long	1
	Freeze Success	3 Red/Green Alternating	1
	Un-freeze Success	3 Green	1
	Access denied, invalid credential	2 Red	1
	Access denied, outside timezone	4 Red	1
	Access denied, lock in freeze state	12 Red	1
BLE and Coupling	HHD connected through BLE	1 Red	—
Lock Identification	Identifying a lock from the pool of locks	5 Red	—
Power ON	Power ON	1 Green, Long	—
		1 Green, Long	1 Long
		2 Green	2
Jump Start	Jump Start	1 Green, Long	1 Long
		2 Green	2
Firmware Upgrade	Image Transfer	1 Red	—
	Image verification	Red/Green Alternating	—
	Image download	1 Green	—
	Power ON	(See Power on sequence)	(See Power on Sequence)

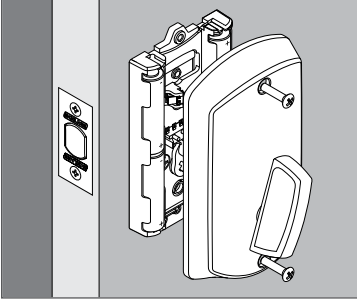
Changing the Batteries

Changing the Batteries

BE467 Deadbolt

From the inside:

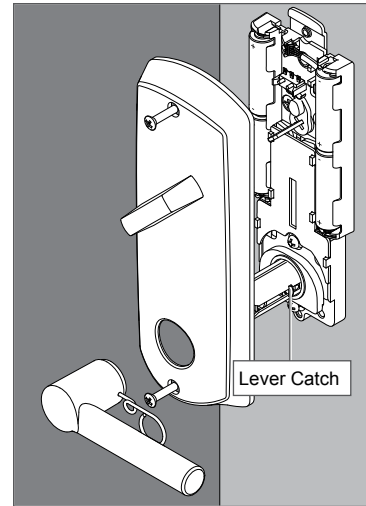
1. Remove the screws.
2. Remove the cover to access the batteries.
3. Replace the batteries with four (4) high-quality AA alkaline batteries.
① **The lock will flash and beep when power is applied. See Power ON on page 5.**
4. Replace the cover and the screws.




FE410 Interconnect

From the inside:

1. Use the pushpin to remove the lever.
2. Remove the screws.
3. Remove the cover to access the batteries.
4. Replace the batteries with four (4) high-quality AA alkaline batteries.
① **The lock will flash and beep when power is applied. See Power ON on page 5.**
5. Replace the cover and the screws. Then replace the lever.
① **You may need to press the lever catch to reattach the lever.**



Lithium Batteries?

-  Lithium batteries may have a longer life, but when they begin to fail, they fail quickly. We don't recommend them because they don't give you a lot of time to change your batteries before the lock is completely dead.

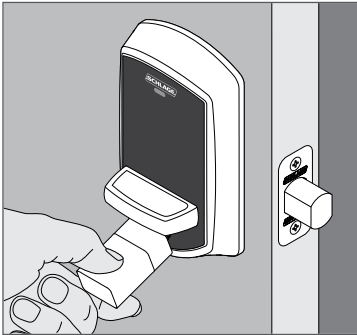
Battery Jump

Battery Jump

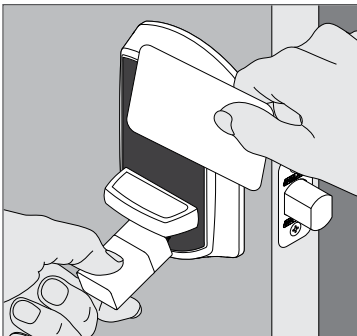
The emergency battery jump start can be used to unlock the door if the batteries are dead.

ⓘ **WARNING: The lock will remain unlocked until you change the battery and relock the door!**

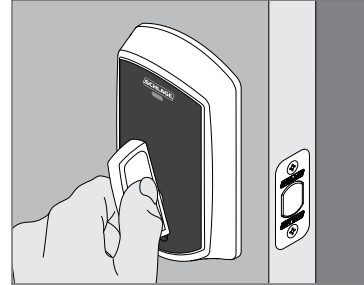
1. Touch a new high-quality alkaline 9-volt battery to the contacts below the bolt throw.
 - ⓘ **There is no specific way the battery has to touch the connection points.**



2. Wait for 1 red light and then 3 green lights with 3 beeps.
 - ⓘ **The lights are below the Schlage logo.**
3. Present a valid credential.



4. Rotate the bolt throw away from the door edge.



5. Replace the batteries. See **Changing the Batteries** on page 6.
6. Present a valid credential and relock the lock to ensure proper lock operation.
 - ⓘ **The lock will remain unlocked until you change the battery and relock the door!**

Construction Mode

Construction Mode is NOT required to operate lock. Construction Mode is used to allow access before the lock is captured and/or for testing purposes before capturing.

- Enabled by default and after a factory reset.
- The lock will remain in Construction Mode until the mode is cancelled as described below.
- No access audits are captured while the lock is in Construction Mode.

To enter construction mode, present a valid construction credential. Any other construction credentials ordered at the same time or programmed for your site work in the lock while it is in construction mode.

To exit construction mode, retract the bolt and then use the mobile app to capture the lock. All construction credentials are not valid once the lock exits construction mode.

Factory Default Reset

A Factory Default Reset (FDR) returns the best ever lock settings to the original settings as shipped from the factory. This removes configurations, databases, and requires the lock to be re-captured. The FDR process does not remove the lock from your ENGAGE account.

1. Disconnect the batteries for at least ten seconds.
2. Reconnect the batteries.
3. Within ten seconds, toggle the thumbturn two times.
4. The lock gives a long green flash and a long beep to indicate the process was successful.

Getting Started with the ENGAGE™ Mobile Application

ENGAGE cloud-based web and mobile applications make it easy to configure lock settings, manage user access and view audits and alerts from anywhere. Your new lock can be updated anytime from the ENGAGE mobile application when within Bluetooth range.

Download the ENGAGE mobile application

Search for “Allegion ENGAGE” on the App Store (iOS) or Google Play Store (Android) to download the free ENGAGE mobile application. The ENGAGE app is compatible with iPhone 4S and newer models running iOS 7 or newer. Android devices require Android Kitkat 4.4 or newer.

ENGAGE Account Setup

An account is required to use the ENGAGE cloud-based web and mobile tools. Register for an ENGAGE account in the mobile app by selecting the “Create an Account” button from the sign in screen. You can also register for a new account on the web at <https://portal.allegionengage.com/signup>. After registering for a new account, you will receive a verification email. You must click on the link in the message to verify your account. This is required to keep your account active.

To invite others to assist with administrative duties for your site:

1. Select “My Team” from the tab bar.
2. Select the “+” icon in the upper right corner.
3. Enter the email address, first name, last name and role of the person you wish to invite.
 - Administrator: The most trusted administrative access role. The Administrator can perform all duties within the ENGAGE web and mobile applications.
 - Manager: Same administrative privileges as an Administrator but cannot invite or remove other Managers or Administrators.
 - Operator: The most limited access. An operator can only connect to locks to send updates or perform diagnostics.
4. Select “Save.”

Commission a lock

To manage your lock with the ENGAGE cloud-based web and mobile applications, it must be commissioned with the ENGAGE app. Before commissioning, the lock must be fully assembled with the batteries installed and the battery connector plugged in.

The lock can be in Factory Default or Construction Mode. The deadbolt must be retracted.

1. Sign in to the ENGAGE mobile app.
2. Select “Connect” from the tab bar at the bottom of the screen.
3. Select the “+” icon in the upper right corner.
4. Follow the lock commissioning wizard to complete initial setup of the lock. Locks can be commissioned as new, from a previously created profile, or cloned from an existing lock in your site. Upon selecting from these options (described below), the LED on the outside of the lock will begin blinking red to indicate connectivity with the app.
 - Select “Create New” to commission the lock with new configuration and access rights. This is the most common scenario when commissioning a lock.
 - Select “Assign” if you have already created a profile for the lock in the “Manage Locks” view in the mobile app or in the ENGAGE web portal (if you have already created the lock in the ENGAGE cloud).
 - Select “Clone” to give the lock the same configuration and access rights as another lock you’ve already commissioned on your site. If you’re unsure which option to choose, select “Create New.”

Troubleshooting

Problem	Possible Cause	Solution
No beeps or blinks when batteries are connected.	Cable not properly connected.	Make sure wires are not crimped. Make sure cable connector is fully connected. The connector fits only one way. DO NOT FORCE!
	Pinched wires or bent pins.	
	Reversed battery or dead battery.	Make sure batteries are installed correctly. Replace old batteries.
Lock shows critical or low battery indication with new batteries.	Batteries installed incorrectly.	Make sure batteries are installed correctly.
Fails power up self test. Three green LED blinks and beeps were not present at the end of power up, just three RED LED blinks and beeps.	Motor not connected.	Make sure wires are not crimped. Make sure cable connector is fully connected. The connector fits only one way. DO NOT FORCE!
	Battery voltage low.	Replace old batteries.
Unable to connect to the device with BLE.	The deadbolt is not retracted	Retract the deadbolt.
	Don't see the expected lock name.	Press "+" in the app to find nearby locks.
	Not in factory default or construction mode.	Factory reset the lock if necessary.
Lock is crooked on the door.	Screws not fully tightened.	Tighten the screws.
	Lock not aligned before screws were tightened.	Loosen screws, center and square the lock, then fully tighten screws.
Batteries are hot.	Batteries installed incorrectly.	Replace all batteries, with polarity per the battery holder markings.
Can't do a Factory Default Reset (FDR)		Disconnect batteries for at least ten seconds; then turn the inside thumbturn twice.
	Cable not properly connected.	Make sure wires are not crimped. Make sure cable connector is fully connected. The connector fits only one way. DO NOT FORCE!
	Cam is in wrong position.	Check that the inside cam is pointed up when the deadbolt is retracted.
Reader does not respond to credentials, (no beeps or LEDs) but lock passed power up self-test.	Lock is not detecting a user in the area around the reader.	Ensure the credential is presented just below the Schlage logo above the outside thumbturn.

About Allegion™

Allegion (NYSE: ALLE) is a global pioneer in safety and security, with leading brands like CISA®, Interflex®, LCN®, Schlage® and Von Duprin®. Focusing on security around the door and adjacent areas, Allegion produces a range of solutions for homes, businesses, schools and other institutions. Allegion is a \$2 billion company, with products sold in almost 130 countries.

For more, visit www.allegion.com.

aptiQ ■ LCN ■ **SCHLAGE** ■ STEELCRAFT ■ VON DUPRIN