

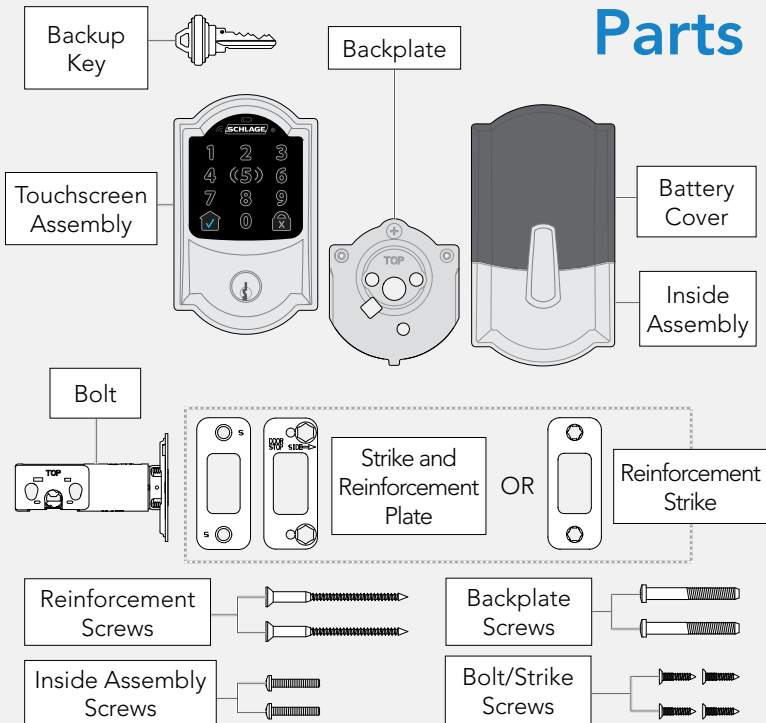


Schlage

Encode *Plus*TM

SMART WIFI DEADBOLT

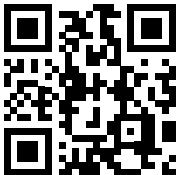
Parts





Start here!

Visit alle.co/encodeplus for an improved installation experience. Access online interactive instructions, warranty, and reference information.



alle.co/encodeplus

Touchscreen



Communication Icon

- Flashes when lock is connecting to WiFi to check for updates.



Low Battery Icon

- Flashes after code is entered when battery is low.
- Solid when battery is critical. The lock will not work without new batteries.



Programming and Input LED

- Amber when using manual programming mode.



Home Button and Checkmark Icon

- Turns on keypad backlight.
- Checkmark flashes when code entry is correct.
- Checkmark flashes when manual programming is successful.



Lock Button and "X" Icon

- Locks the lock.
- "X" flashes for a wrong user code.



Tools



Phillips screwdriver

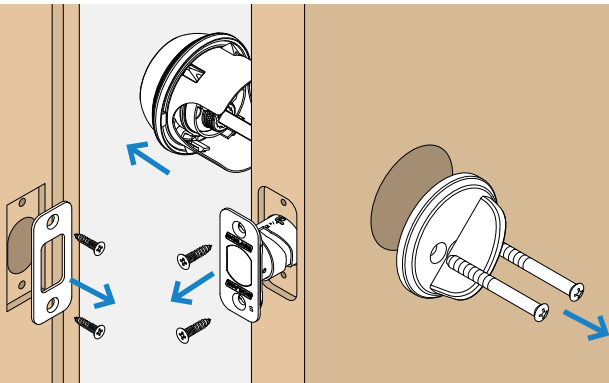
Don't use a power drill!

step

1

Remove existing lock.

Remove the entire deadbolt, including the bolt. You may also want to remove the strike. A standard Schlage deadbolt is shown. Check with your specific deadbolt manufacturer if you need help.



step
2

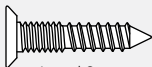
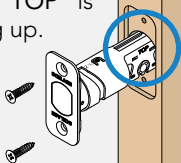
Need Help?

Visit alle.co/encodeplus

Install the bolt.

You may have to adjust your bolt length. Make sure the slot in the bolt is centered in the hole.

Make sure the word "TOP" is facing up.

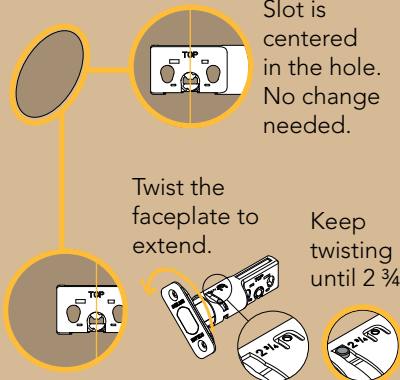


Actual Size

Slot is centered in the hole. No change needed.

Twist the faceplate to extend.

Keep twisting until $2\frac{3}{4}$ ".



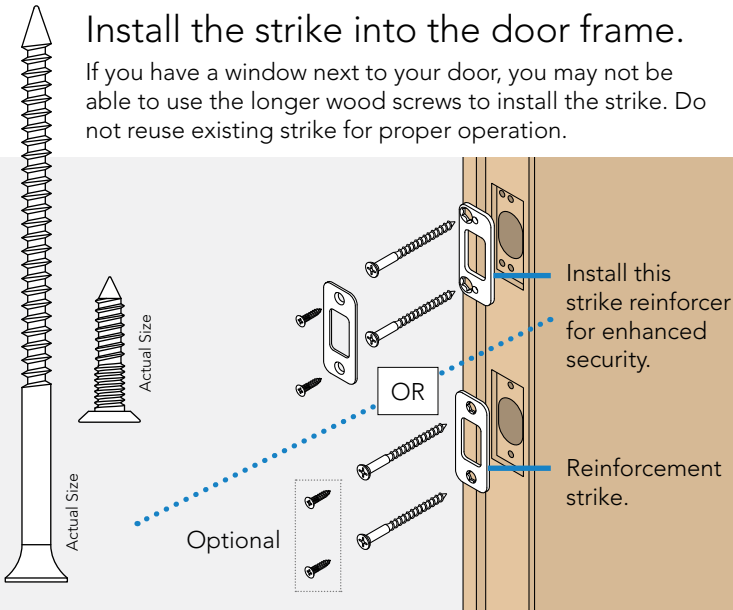
step
3

Need Help?

Trouble installing the strike reinforcer?
Visit alle.co/encodeplus

Install the strike into the door frame.

If you have a window next to your door, you may not be able to use the longer wood screws to install the strike. Do not reuse existing strike for proper operation.



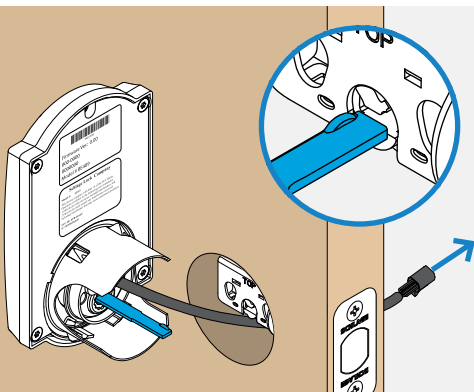
step
4

Is it hard to install the touchscreen?
Is the tailpiece not installing correctly?

If your through hole seems too small, you may need to remove the spacer. Visit alle.co/encodeplus.

Install the touchscreen.

Route the cable through the door **BELOW** the bolt. Align the tailpiece as shown and push the touchscreen onto the door.



The bump on the tailpiece aligns with the slot in the bolt.

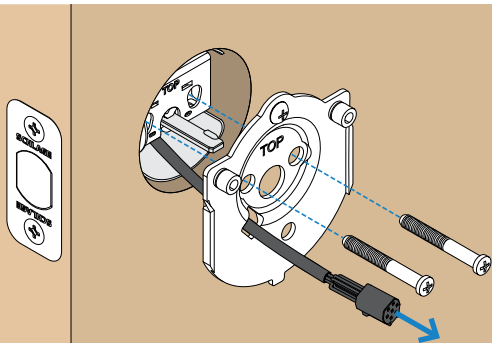
step
5



Phillips screwdriver
Don't use a power drill!
You may damage your
lock!

Install the backplate.

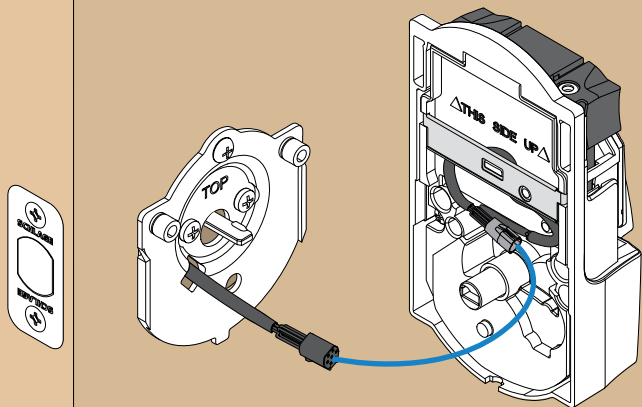
Route the cable under the bolt and through the hole on the bottom of the backplate. Secure the backplate with screws. Make sure the outside touchscreen is straight before tightening screws all the way.



step
6

Connect the cable.

Tuck the cable and connector in the space above the spindle.



step
7



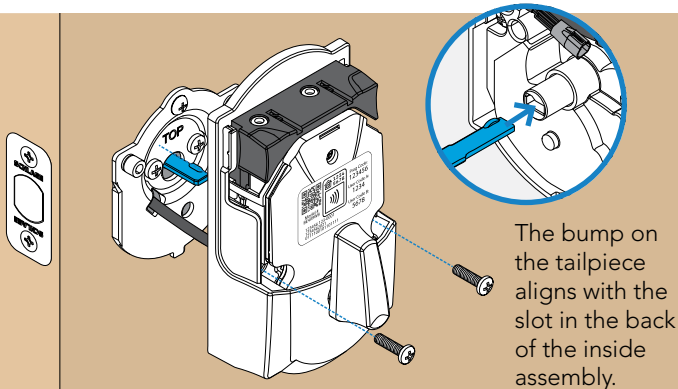
Phillips screwdriver

Don't use a power drill!

You may damage your lock!

Secure the lock to the door.

If the bump on the tailpiece doesn't align with the slot in the back of the inside assembly, make sure your thumbturn is vertical (up and down).

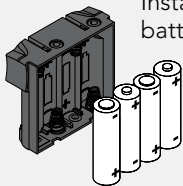
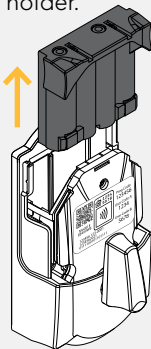


The bump on the tailpiece aligns with the slot in the back of the inside assembly.

step
8

Install batteries and slide the cover on.

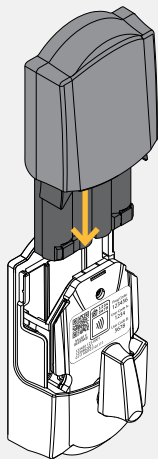
Pull out battery holder.



Install
batteries.



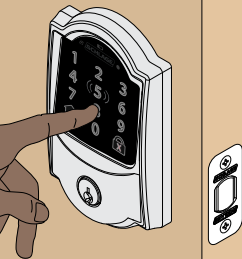
Reinstall battery holder.
Turn the battery holder
around so the batteries
face the door.



That wasn't so bad, was it?

Your lock is now installed! Remember, you still have to set up your lock to use it.

step
9



Set up your lock.

1. Open your door!
2. Enter one of the two default user codes.
3. Your lock will enter a setup routine. When the bolt stops moving, setup is complete.

Final test!

1. Close your door.
2. Extend and retract the bolt using the inside thumbturn.
3. Make sure the bolt retracts smoothly.
4. Open your door.
5. Extend the bolt using the inside thumbturn.
6. Now enter a user code at the touchscreen.

Need Help?

If the bolt doesn't extend or retract during testing, visit alle.co/encodeplus.



Now that your lock is installed

you can use the Schlage Home app to lock and unlock your door from anywhere and add codes for guests and household members.





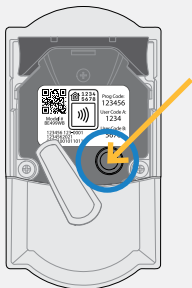
Works with

Apple HomeKit

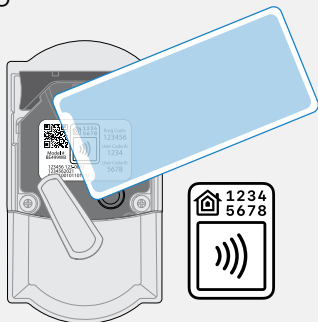
Or set it up using the Apple Home app

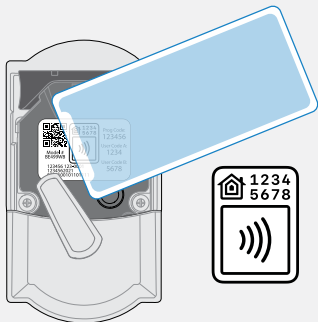
For iPhone XS and newer, simply press the button on the lock, then tap your phone to the label. For older models, turn the page.

1



2





For iPhone 7 - iPhone X

Tap your iPhone to the HomeKit label

Tap the top of your phone to the label. Follow directions on your phone.

OR

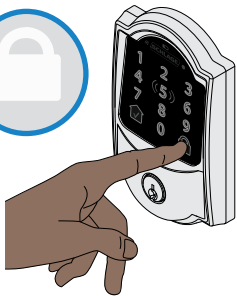


For older than iPhone 7 or iPad

Scan the label

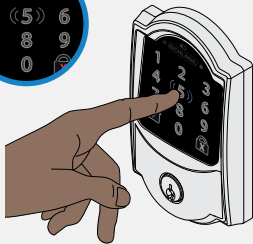
Scan the HomeKit QR code label on the back of this Quick Start guide.

Lock and unlock



To lock your door just tap the  lock icon.

You can also lock your door from inside by turning the thumbturn toward the door edge.



To unlock your door enter a user code.

Once paired with a smart home system, the default codes will not work. You can also unlock your door from inside by turning the thumbturn away from the door edge.

Apple HomeKit

Apple HomeKit technology provides an easy, secure way to control your home's doors and more using the Apple Home app and Siri on your iPhone, iPad, Apple Watch, HomePod, or Mac.

A customer who owns an Apple TV (4th generation or later) with tvOS 10 or later, an iPad with iOS 10 or later, or a HomePod can control HomeKit-enabled accessories away from home and automatically,

Controlling this HomeKit-enabled accessory automatically and away from home requires a HomePod, Apple TV, or iPad set up as a home hub. It is recommended that you update to the latest software and operating system.

Use of the Works with Apple badge means that an accessory has been designed to work specifically with the technology identified in the badge and has been certified by the developer to meet Apple performance standards. Apple is not responsible for the operation of this device or its compliance with safety and regulatory standards. Apple, App Store, Apple Home, iPhone, iPad, Apple Watch, HomePod, Mac, and Siri are trademarks of Apple Inc. registered in the U.S. and other countries.

Google Play and the Google Play logo are trademarks of Google Inc.

PLACE LABEL
HERE

These are your backup codes.
You will need these codes if you
ever factory default reset your lock.
Keep these safe!

Questions about your new
Schlage *Encode Plus*[™]
SMART WIFI DEADBOLT

Please don't return it to the store!

Let us help you first!



alle.co/encodeplus



© Allegion 2021
Printed in U.S.A.
47360452 Rev. 06/21-c



47360452