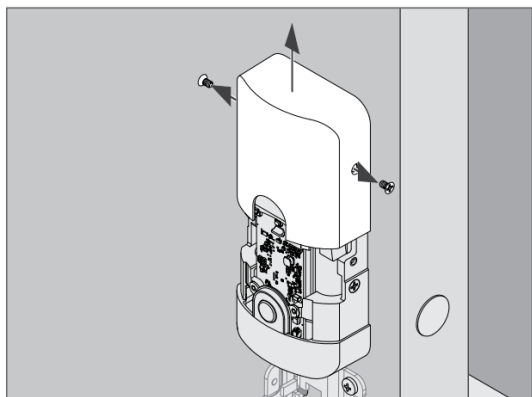


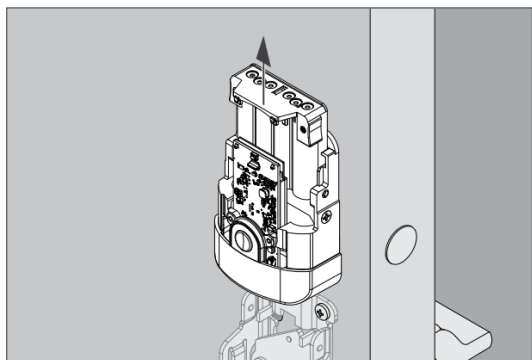
Digital Core Module Installation Instructions

Exit device models

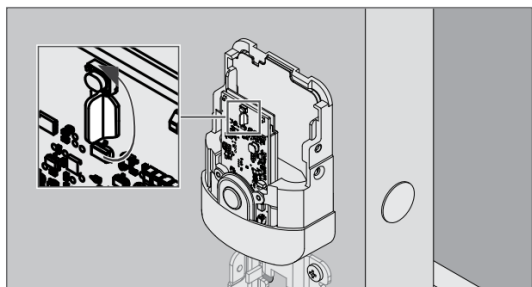
1. Delete the lock from ENGAGE.
→ See ENGAGE User guide for more information.
2. Remove cover.



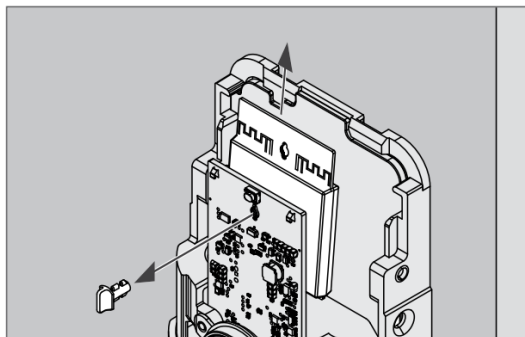
3. Remove battery holder.



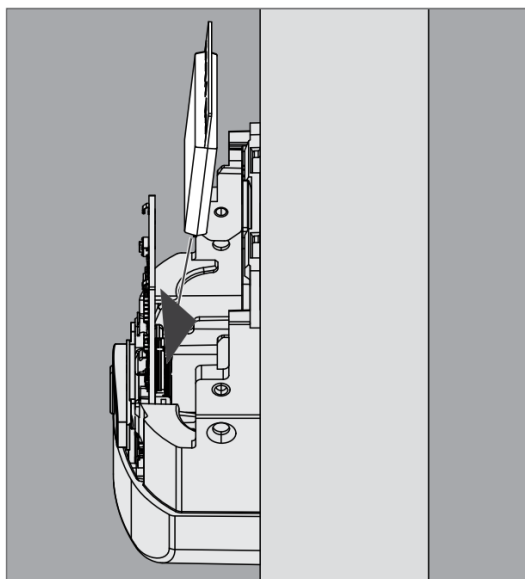
4. Release retention key by turning to the vertical position.



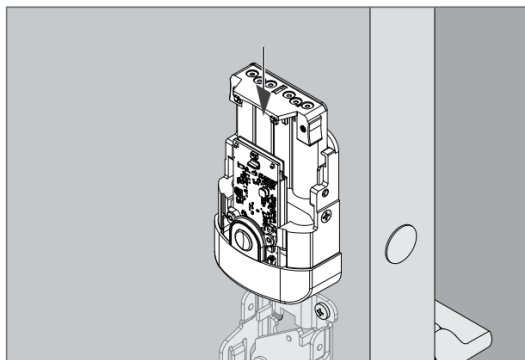
5. Remove the retention key. Then, tilt the Module back and lift up to remove.



6. Install new board.

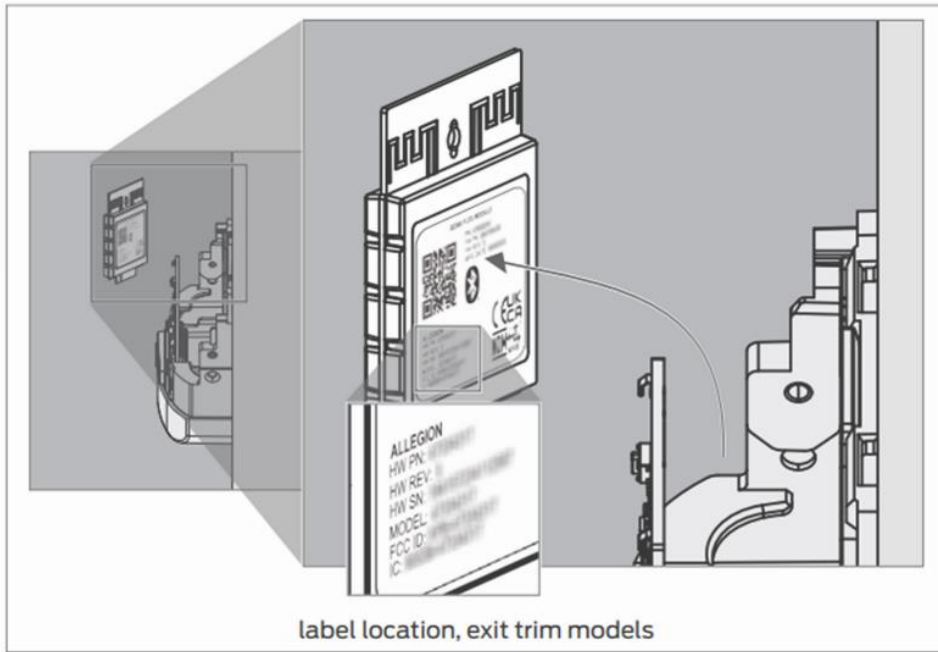
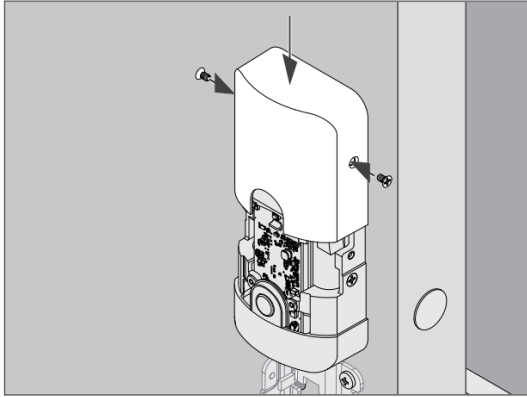


7. Replace the battery holder.



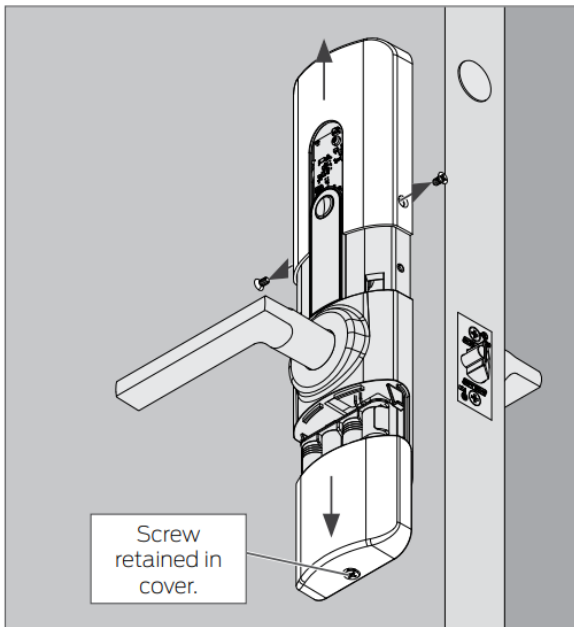
8. Perform a Factory default reset (FDR) on the lock.

9. Power cycle the lock by removing and then replacing the batteries. Wait for three (3) green lights.
10. Replace the cover.

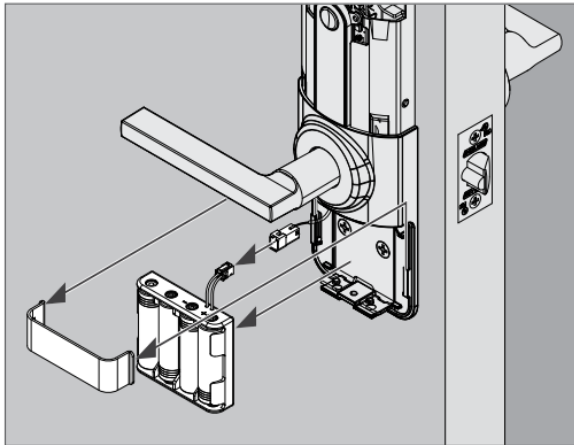


Tubular and mortise models

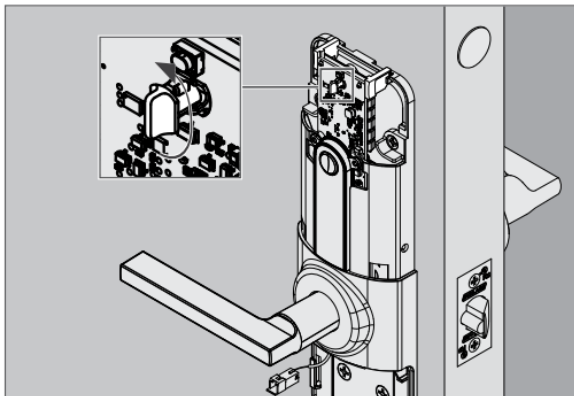
1. Delete the lock from ENGAGE.
→ See ENGAGE User guide for more information.
2. Remove covers.



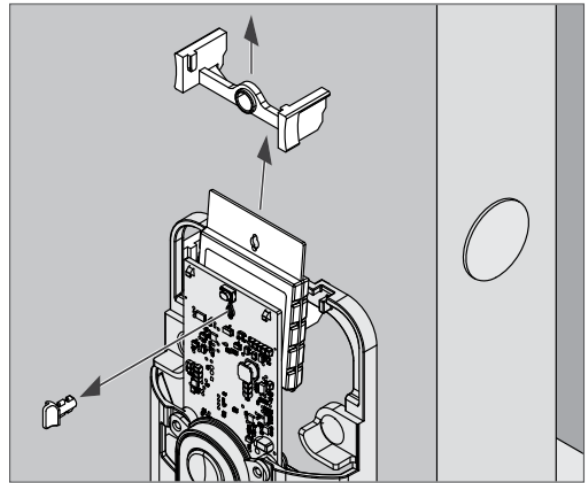
3. Remove battery retainer and holder.



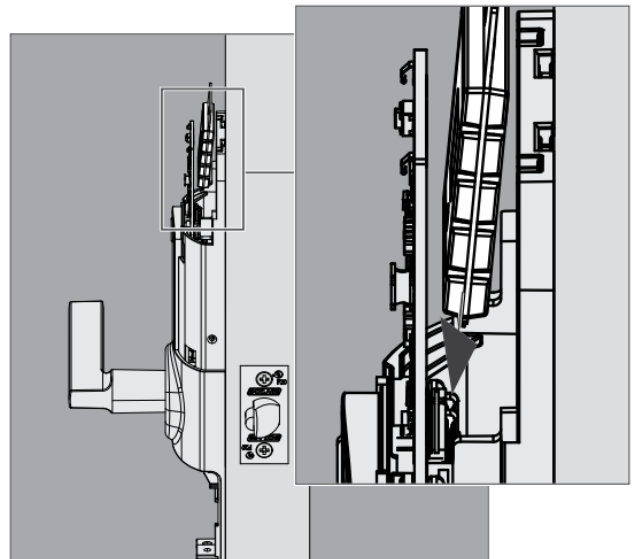
4. Release retention key by turning to the vertical position.



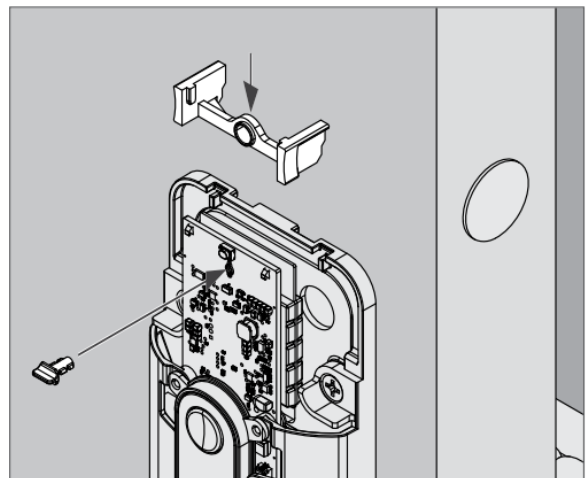
5. Remove the retention key. Remove the top bracket. Then, tilt the Module back and pull up to remove.



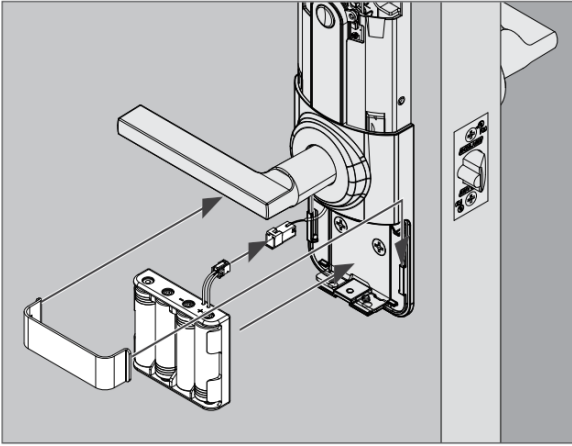
6. Install new board.



7. Reinstall the bracket and then the retention key.

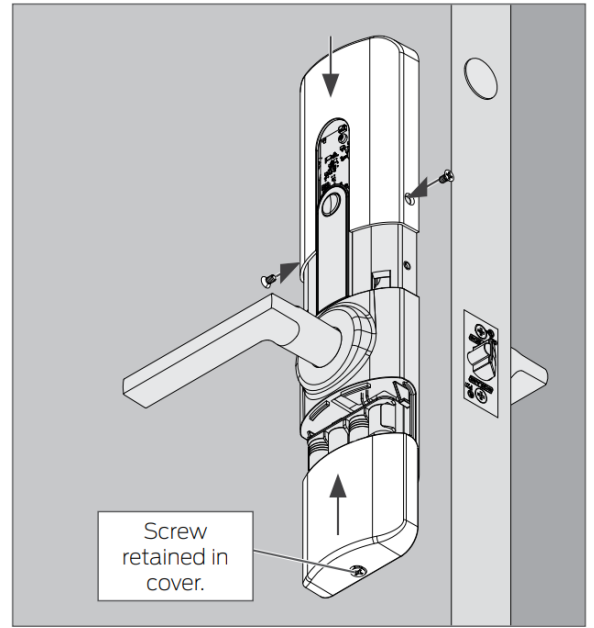


8. Reinstall the battery holder and retainer.

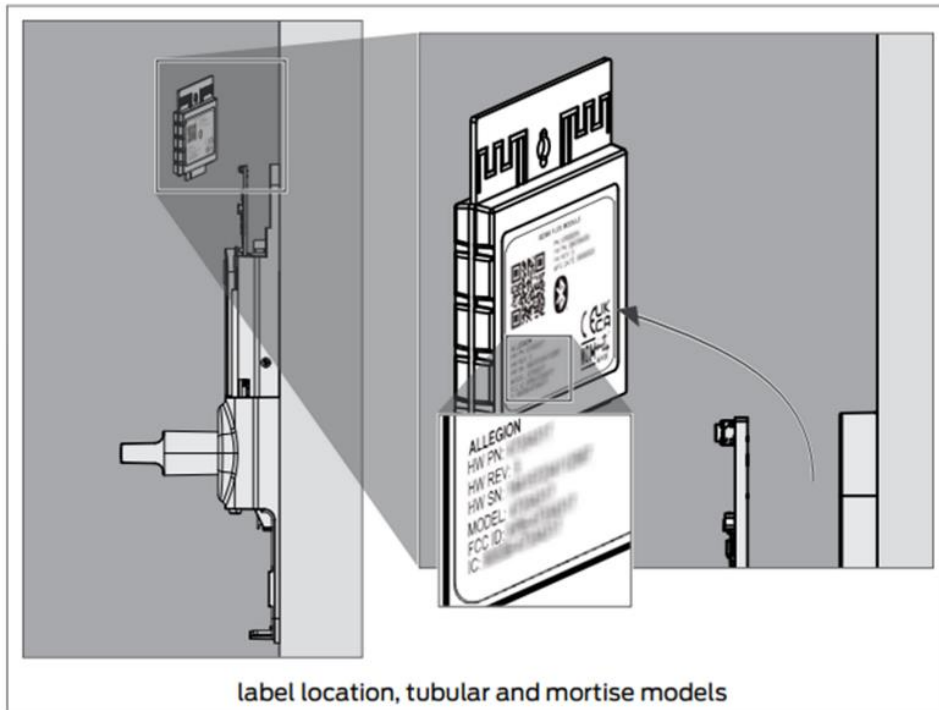


9. Perform a Factory default reset (FDR) on the lock.
10. Power cycle the lock by removing and then replacing the batteries. The device will automatically broadcast. Wait for the link with the MAPP.
11. Commission the lock.

12. Replace the covers.



13. Reassign users to the lock.
→ See ENGAGE User guide for more information



FCC Statements

FCC Interference Statement

This equipment has been tested and found to comply with the limits for a Class B digital device, pursuant to Part 15 of the FCC Rules. These limits are designed to provide reasonable protection against harmful interference in a residential installation. This equipment generates, uses, and can radiate radio frequency energy and, if not installed and used in accordance with the instructions, may cause harmful interference to radio communications. However, there is no guarantee that interference will not occur in a particular installation. If this equipment does cause harmful interference to radio or television reception, which can be determined by turning the equipment off and on, the user is encouraged to try to correct the interference by one of the following measures.:

- Reorient or relocate the receiving antenna.
- Increase the separation between the equipment and receiver.
- Connect the equipment to an outlet on a circuit different from that to which the receiver is connected.
- Consult the dealer or an experienced radio/TV technician for help

This device complies with Part 15 of the FCC Rules. Operation is subject to the following two conditions:

1. This device may not cause harmful interference, and
 2. This device must accept any interference received, including interference that may cause undesired operation.
- ➔ Note: Changes or modifications not expressly approved by the party responsible for compliance could void the user's authority to operate the equipment.

IC Statements

Industry Canada Statement

Under Industry Canada regulations, this radio transmitter may only operate using an antenna of a type and maximum (or lesser) gain approved for the transmitter by Industry Canada. To reduce potential radio interference to other users, the antenna type and its gain should be so chosen that the equivalent isotropically radiated power (E.I.R.P.) is not more than that necessary for successful communication.

Industry Canada Radiation Exposure Statement

This Device complies with Industry Canada License-exempt RSS standard(s). Operation is subject to the following two conditions: 1) this device may not cause interference, and 2) this device must accept any interference, including interference that may cause undesired operation of the device.

RSS-GEN

This Device complies with Industry Canada License-exempt RSS standard(s). Operation is subject to the following two conditions:

1. This device may not cause interference; and
2. This device must accept any interference, including interference that may cause undesired operation of the device.

RF Radiation Exposure Statement

This equipment complies with FCC RF Radiation exposure limits set forth for an uncontrolled environment. This device and its antenna must not be co-located or operating in conjunction with any other antenna or transmitter, other than those approved for colocated use by Allegion. This equipment should be installed and operated with a normally maintained separation distance of at least 20 cm between the radiator and your body.