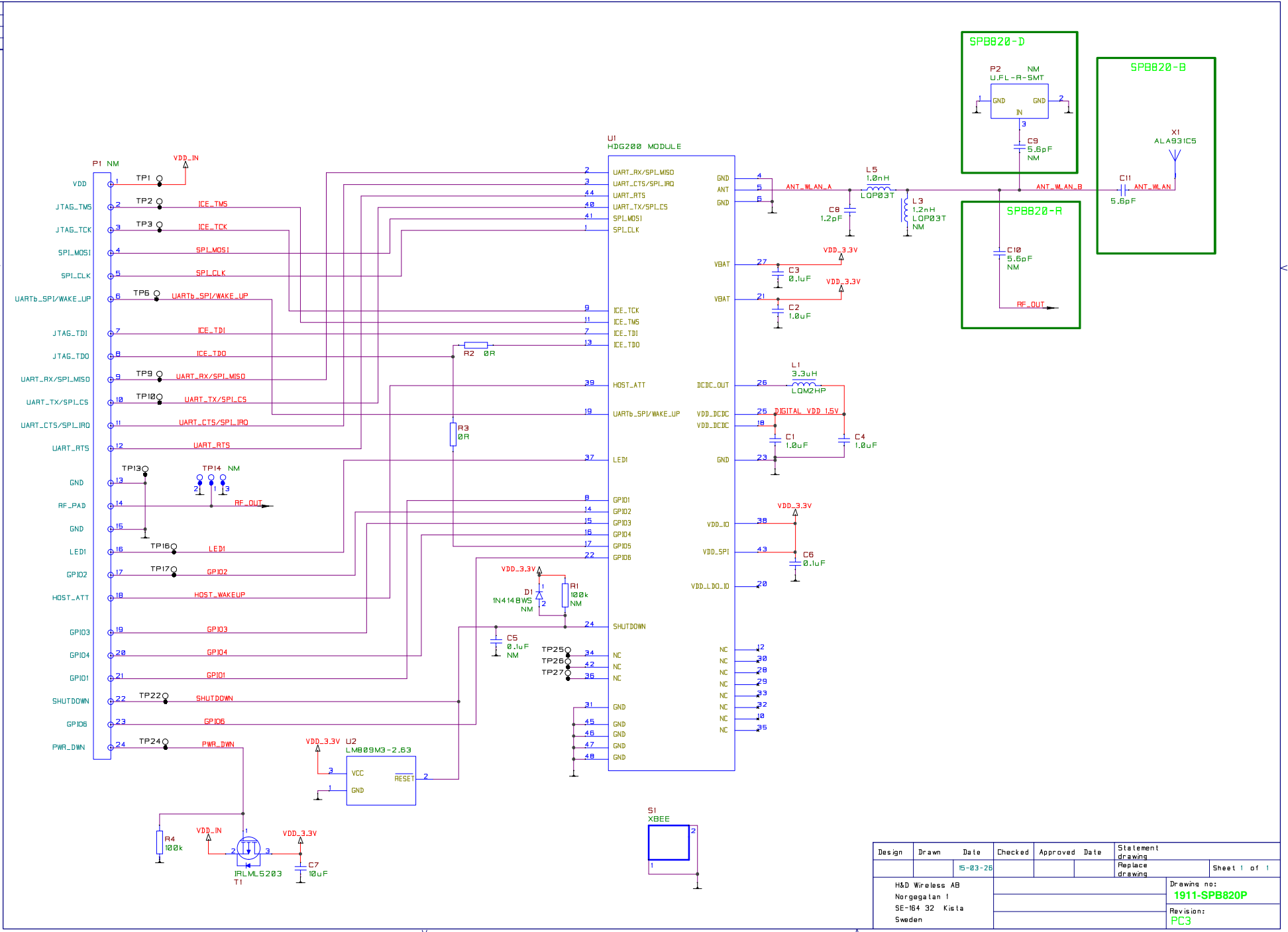


This document must not be copied without our written permission, and the contents thereof must not be imparted to a third party without our written and authorized purpose. Contributions will be appreciated.



Design	Drawn	Date	Checked	Approved	Date	Statement drawing	Replace drawing	Sheet 1 of 1
		15-03-26						
H&D Wireless AB Norgegalan 1 SE-164 32 Kieta Sweden							Drawing no: 1911-SPB820P	
							Revision: PC3	