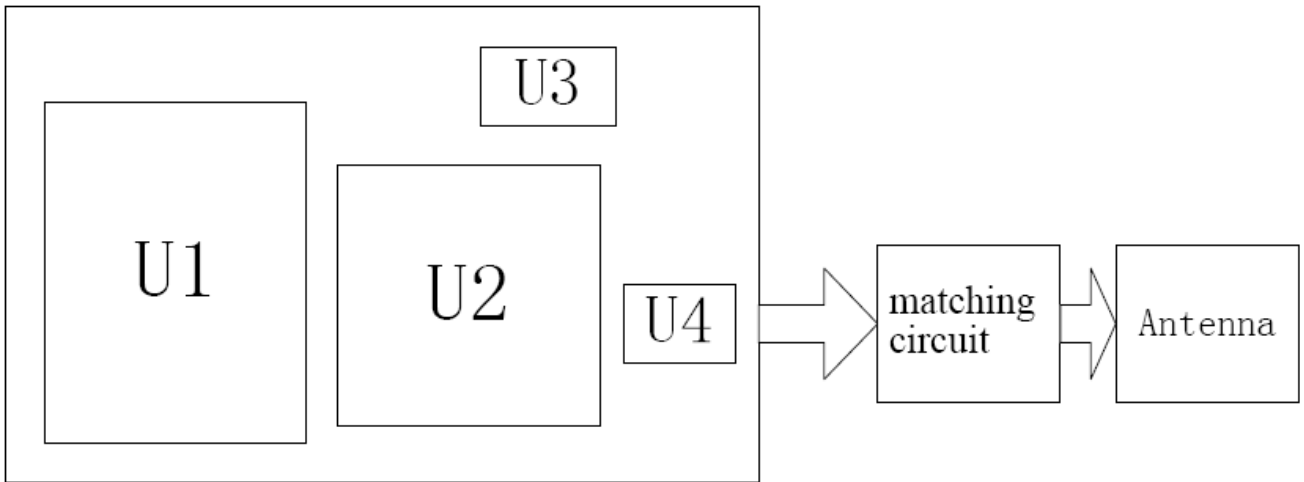


Operation Description

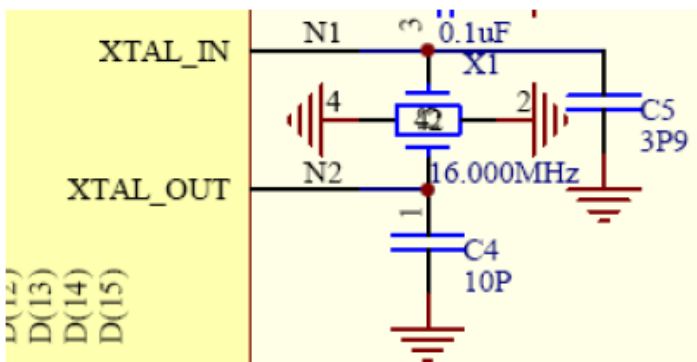
Product Description:

This product integrated a Bluetooth chipset to support the Bluetooth A2DP profiles that allows users to use it as an earphone for their mobile phones or TV while listening to music as the primary usage of this device.

The brief introduction of the Module



1. IC U1 is the 8M NAND flash memory as the media for storage the program of CSR chipset.
2. IC U2 is the main Bluetooth Chipset of CSR BC03. It contains an MCU that control the embedded Codec, DSP, Baseband of RF, GPIO, etc.
3. U3 is a 16MHz crystal that Bluetooth chipset work for. Crystal circuit seen as follow:



4. U4 is a Band pass Filter which makes Bluetooth signal can be transmitted or received to antenna.

The transmitter utilizes SMD chip antenna. Common grounding on PCB is not connected to real external ground. Power supply of the whole circuit comes from a 3.7V lithium battery.