



RADIO TEST REPORT
FCC ID: XN6-SS2521C6
IC: 8819A-SS2521C6

Product : 25"2.1 Sound Stand

Trade Name : VIZIO

Model Name : SS2521-C6

Serial Model : N/A

Report No. : NTEK-2015NT0104125F1-01

Prepared for

Zylux Acoustic Corporation
3F,22,Lane 35,Jihu Road,Taipei Neihu Technology Park,114 Taipei
Taiwan-R.O.C

Prepared by

Shenzhen NTEK Testing Technology Co., Ltd.
1/F, Building E, Fenda Science Park, Sanwei Community, Xixiang Street
Bao'an District, Shenzhen P.R. China
Tel.: +86-0755-61156588 Fax.: +86-0755-61156599
Website: www.ntek.org.cn

TEST RESULT CERTIFICATION

Applicant's name : Zylux Acoustic Corporation
Address : 3F,22,Lane 35,Jihu Road,Taipei Neihu Technology Park,
114 Taipei Taiwan-R.O.C
Manufacture's Name..... : Zhao Yang Electronic(Shenzhen)Co., Ltd.
Address : Sec.A, 4F, Building 1&2, De Yong Jia Ind. Park, GuangQiao Rd.
Yu Lv Com., GongMing St. 518100 Guang Ming New Distr.,
Shenzhen, China

Product description

Product name : 25"2.1 Sound Stand
Model and/or type reference : SS2521-C6
Serial Model : N/A
Standards : FCC Part15.247:01 Oct. 2014
RSS-247,Issue 1, May 2015
Test procedureANSI C63.10-2013 and ANSI C63.4-2014
RSS-Gen Issue 4 NOV 2014

This device described above has been tested by NTEK, and the test results show that the equipment under test (EUT) is in compliance with the FCC requirements/ the Industry Canada requirements. And it is applicable only to the tested sample identified in the report.

This report shall not be reproduced except in full, without the written approval of NTEK, this document may be altered or revised by NTEK, personnel only, and shall be noted in the revision of the document.

Date of Test :
Date (s) of performance of tests : 10 Jul. 2015 ~17 Jul. 2015
Date of Issue..... : 17 Jul. 2015
Test Result..... : **Pass**

Testing Engineer : Eileen Liu.
(Eileen Liu)

Technical Manager : Brown Lu
(Brown Lu)

Authorized Signatory : Sam. Chen
(Sam Chen)

Table of Contents

	Page
1 . SUMMARY OF TEST RESULTS	4
1.1 TEST FACILITY	5
1.2 MEASUREMENT UNCERTAINTY	5
2 . GENERAL INFORMATION	6
2.1 GENERAL DESCRIPTION OF EUT	6
2.2 DESCRIPTION OF TEST MODES	8
2.3 TABLE OF PARAMETERS OF TEXT SOFTWARE SETTING	8
2.4 BLOCK DIGRAM SHOWING THE CONFIGURATION OF SYSTEM TESTED	9
2.5 DESCRIPTION OF SUPPORT UNITS(CONDUCTED MODE)	10
2.6 EQUIPMENTS LIST FOR ALL TEST ITEMS	11
3 . EMC EMISSION TEST	12
3.1 CONDUCTED EMISSION MEASUREMENT	12
3.1.1 POWER LINE CONDUCTED EMISSION LIMITS	12
3.1.2 TEST PROCEDURE	13
3.1.3 DEVIATION FROM TEST STANDARD	13
3.1.4 TEST SETUP	13
3.1.5 EUT OPERATING CONDITIONS	13
3.1.6 TEST RESULTS	14
3.2 RADIATED EMISSION MEASUREMENT	18
3.2.1 RADIATED EMISSION LIMITS	18
3.2.2 TEST PROCEDURE	19
3.2.3 DEVIATION FROM TEST STANDARD	19
3.2.4 TEST SETUP	20
3.2.5 EUT OPERATING CONDITIONS	21
3.2.6 TEST RESULTS (BETWEEN 30MHZ – 1GHZ)	22
3.2.7 TEST RESULTS (ABOVE 1000 MHZ)	24
4 . EUT TEST PHOTO	25
APPENDIX-PHOTOGRAPHS OF EUT CONSTRUCTIONAL DETAILS	

1. SUMMARY OF TEST RESULTS

Test procedures according to the technical standards:

FCC Part15 (15.247) , Subpart C/ RSS-247 & RSS-Gen Rules			
Standard Section	Test Item	Judgment	Remark
15.207/ RSS-Gen §8.8/RSS-247 §6.2	Conducted Emission	PASS	
15.247(c) / RSS.247§5.5	Radiated Spurious Emission	PASS	

Note : This C2PC testing , the changed is: Only change the new switching power supply board, Circuit and RF module are the same.

NOTE:

(1) "N/A" denotes test is not applicable in this Test Report

1.1 TEST FACILITY

NTEK Testing Technology Co., Ltd

Add. : 1/F, Building E, Fenda Science Park, Sanwei Community, Xixiang Street, Bao'an District, Shenzhen P.R. China.

FCC Registration No.:238937; IC Registration No.:9270A-1

CNAS Registration No.:L5516

1.2 MEASUREMENT UNCERTAINTY

The reported uncertainty of measurement $y \pm U$, where expanded uncertainty U is based on a standard uncertainty multiplied by a coverage factor of $k=2$, providing a level of confidence of approximately **95 %**.

No.	Item	Uncertainty
1	Conducted Emission Test	$\pm 1.38\text{dB}$
2	RF power,conducted	$\pm 0.16\text{dB}$
3	Spurious emissions,conducted	$\pm 0.21\text{dB}$
4	All emissions,radiated(<1G)	$\pm 4.68\text{dB}$
5	All emissions,radiated(>1G)	$\pm 4.89\text{dB}$
6	Temperature	$\pm 0.5^{\circ}\text{C}$
7	Humidity	$\pm 2\%$

2. GENERAL INFORMATION

2.1 GENERAL DESCRIPTION OF EUT

Equipment	25"2.1 Sound Stand	
Trade Name	VIZIO	
Model Name	SS2521-C6	
Serial Model	N/A	
Model Difference	N/A	
Product Description	The EUT is a 25"2.1 Sound Stand	
	Operation Frequency:	2402~2480 MHz
	Modulation Type:	BT(1Mbps): GFSK
		BT EDR(2Mbps): $\pi/4$ -DQPSK
		BT EDR(3Mbps): 8-DPSK
	Bit Rate of Transmitter	1Mbps/2Mbps/3Mbps
Number Of Channel	79 CH	
Antenna Designation:	Please see Note 3.	
Channel List	Please refer to the Note 2.	
Adapter	main test	
Battery	N/A	
Connecting I/O Port(s)	Please refer to the User's Manual	

Note:

1. For a more detailed features description, please refer to the manufacturer's specifications or the User's Manual.

2.

Channel List					
Channel	Frequency (MHz)	Channel	Frequency (MHz)	Channel	Frequency (MHz)
00	2402	27	2429	54	2456
01	2403	28	2430	55	2457
02	2404	29	2431	56	2458
03	2405	30	2432	57	2459
04	2406	31	2433	58	2460
05	2407	32	2434	59	2461
06	2408	33	2435	60	2462
07	2409	34	2436	61	2463
08	2410	35	2437	62	2464
09	2411	36	2438	63	2465
10	2412	37	2439	64	2466
11	2413	38	2440	65	2467
12	2414	39	2441	66	2468
13	2415	40	2442	67	2469
14	2416	41	2443	68	2470
15	2417	42	2444	69	2471
16	2418	43	2445	70	2472
17	2419	44	2446	71	2473
18	2420	45	2447	72	2474
19	2421	46	2448	73	2475
20	2422	47	2449	74	2476
21	2423	48	2450	75	2477
22	2424	49	2451	76	2478
23	2425	50	2452	77	2479
24	2426	51	2453	78	2480
25	2427	52	2454		
26	2428	53	2455		

3.

Table for Filed Antenna

Ant	Brand	Model Name	Antenna Type	Connector	Gain (dBi)	NOTE
1	N/A	N/A	PCB Antenna	N/A	1.0	BT Antenna

2.2 DESCRIPTION OF TEST MODES

To investigate the maximum EMI emission characteristics generates from EUT, the test system was pre-scanning tested base on the consideration of following EUT operation mode or test configuration mode which possible have effect on EMI emission level. Each of these EUT operation mode(s) or test configuration mode(s) mentioned above was evaluated respectively.

Pretest Mode	Description
Mode 1	CH00
Mode 2	CH39
Mode 3	CH78
Mode 4	Keeping TX mode

For Conducted Emission	
Final Test Mode	Description
Mode 4	Keeping TX mode

For Radiated Emission	
Final Test Mode	Description
Mode 1	CH00
Mode 2	CH39
Mode 3	CH78

Note:

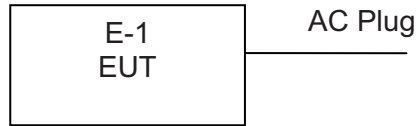
- (1) The measurements are performed at the highest, middle, lowest available channels.
- (2) The EUT use new battery.
- (3)The data rate was set in 1Mbps for radiated emission due to the highest RF output power.

2.3 TABLE OF PARAMETERS OF TEXT SOFTWARE SETTING

During testing channel & power controlling software provided by the customer was used to control the operating channel as well as the output power level. The RF output power selection is for the setting of RF output power expected by the customer and is going to be fixed on the firmware of the final end product power parameters of FHSS

Test software Version	Test program: Broadcom		
Frequency	2402 MHz	2441 MHz	2480 MHz
Parameters(1/2/3Mbps)	DEF	DEF	DEF

2.4 BLOCK DIGRAM SHOWING THE CONFIGURATION OF SYSTEM TESTED



2.5 DESCRIPTION OF SUPPORT UNITS(CONDUCTED MODE)

The EUT has been tested as an independent unit together with other necessary accessories or support units. The following support units or accessories were used to form a representative test configuration during the tests.

Item	Equipment	Mfr/Brand	Model/Type No.	Series No.	Note
E-1	25"2.1 Sound Stand	VIZIO	SS2521-C6	N/A	EUT

Item	Shielded Type	Ferrite Core	Length	Note

Note:

- (1) The support equipment was authorized by Declaration of Confirmation.
- (2) For detachable type I/O cable should be specified the length in cm in 『Length』 column.
- (3) “YES” is means “shielded” “with core”; “NO” is means “unshielded” “without core”.

2.6 EQUIPMENTS LIST FOR ALL TEST ITEMS

Radiation Test equipment

Item	Kind of Equipment	Manufacturer	Type No.	Serial No.	Last calibration	Calibrated until	Calibration period
1	Spectrum Analyzer	Agilent	E4407B	MY45108040	2015.07.06	2016.07.05	1 year
2	Test Receiver	R&S	ESPI	101318	2015.06.07	2016.06.06	1 year
3	Bilog Antenna	TESEQ	CBL6111D	31216	2015.07.06	2016.07.05	1 year
4	50Ω Coaxial Switch	Anritsu	MP59B	6200264416	2015.06.07	2016.06.06	1 year
5	Spectrum Analyzer	ADVANTEST	R3132	150900201	2015.06.07	2016.06.06	1 year
6	Horn Antenna	EM	EM-AH-10180	2011071402	2015.07.06	2016.07.05	1 year
7	Horn Ant	Schwarzbeck	BBHA 9170	9170-181	2015.07.06	2016.07.05	1 year
8	Amplifier	EM	EM-30180	060538	2014.12.22	2015.12.21	1 year
9	Loop Antenna	ARA	PLA-1030/B	1029	2015.06.08	2016.06.07	1 year
10	Power Meter	R&S	NRVS	100696	2015.07.06	2016.07.05	1 year
11	Power Sensor	R&S	URV5-Z4	0395.1619.05	2015.07.06	2016.07.05	1 year

Conduction Test equipment

Item	Kind of Equipment	Manufacturer	Type No.	Serial No.	Last calibration	Calibrated until	Calibration period
1	Test Receiver	R&S	ESCI	101160	2015.06.06	2016.06.05	1 year
2	LISN	R&S	ENV216	101313	2014.08.24	2015.08.23	1 year
3	LISN	EMCO	3816/2	00042990	2014.08.24	2015.08.23	1 year
4	50Ω Coaxial Switch	Anritsu	MP59B	6200264417	2015.06.07	2016.06.06	1 year
5	Passive Voltage Probe	R&S	ESH2-Z3	100196	2015.06.07	2016.06.06	1 year
6	Absorbing clamp	R&S	MOS-21	100423	2015.06.08	2016.06.07	1 year

1	Attenuation	MCE	24-10-34	BN9258	2015.06.08	2016.06.07	1 year
---	-------------	-----	----------	--------	------------	------------	--------

3. EMC EMISSION TEST

3.1 CONDUCTED EMISSION MEASUREMENT

3.1.1 POWER LINE CONDUCTED EMISSION Limits (Frequency Range 150KHz-30MHz)

FREQUENCY (MHz)	Class A (dBuV)		Class B (dBuV)		Standard
	Quasi-peak	Average	Quasi-peak	Average	
0.15 -0.5	79.00	66.00	66 - 56 *	56 - 46 *	CISPR
0.50 -5.0	73.00	60.00	56.00	46.00	CISPR
5.0 -30.0	73.00	60.00	60.00	50.00	CISPR

0.15 -0.5	79.00	66.00	66 - 56 *	56 - 46 *	FCC/ RSS-247
0.50 -5.0	73.00	60.00	56.00	46.00	FCC/ RSS-247
5.0 -30.0	73.00	60.00	60.00	50.00	FCC/ RSS-247

Note:

- (1) The tighter limit applies at the band edges.
- (2) The limit of " * " marked band means the limitation decreases linearly with the logarithm of the frequency in the range.

The following table is the setting of the receiver

Receiver Parameters	Setting
Attenuation	10 dB
Start Frequency	0.15 MHz
Stop Frequency	30 MHz
IF Bandwidth	9 kHz

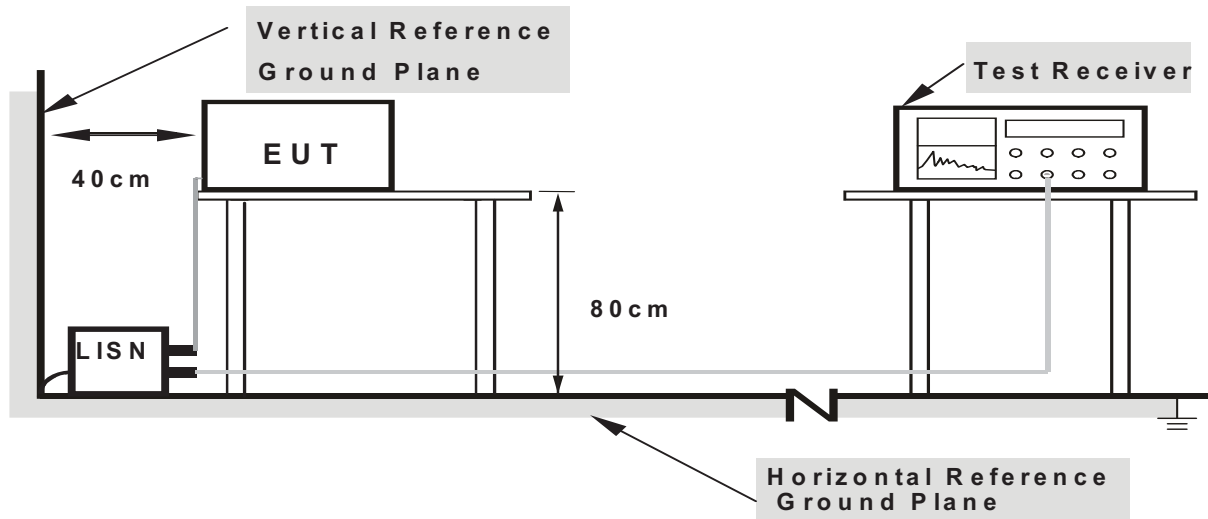
3.1.2 TEST PROCEDURE

- a. The EUT was placed 0.8 meters from the horizontal ground plane with EUT being connected to the power mains through a line impedance stabilization network (LISN). All other support equipments powered from additional LISN(s). The LISN provide 50 Ohm/ 50uH of coupling impedance for the measuring instrument.
- b. Interconnecting cables that hang closer than 40 cm to the ground plane shall be folded back and forth in the center forming a bundle 30 to 40 cm long.
- c. I/O cables that are not connected to a peripheral shall be bundled in the center. The end of the cable may be terminated, if required, using the correct terminating impedance. The overall length shall not exceed 1 m.
- d. LISN at least 80 cm from nearest part of EUT chassis.
- e. For the actual test configuration, please refer to the related Item –EUT Test Photos.

3.1.3 DEVIATION FROM TEST STANDARD

No deviation

3.1.4 TEST SETUP



- Note:**
- 1.Support units were connected to second LISN.
 - 2.Both of LISNs (AMN) are 80 cm from EUT and at least 80 from other units and other metal planes

3.1.5 EUT OPERATING CONDITIONS

The EUT was configured for testing in a typical fashion (as a customer would normally use it). The EUT has been programmed to continuously transmit during test. This operating condition was tested and used to collect the included data.

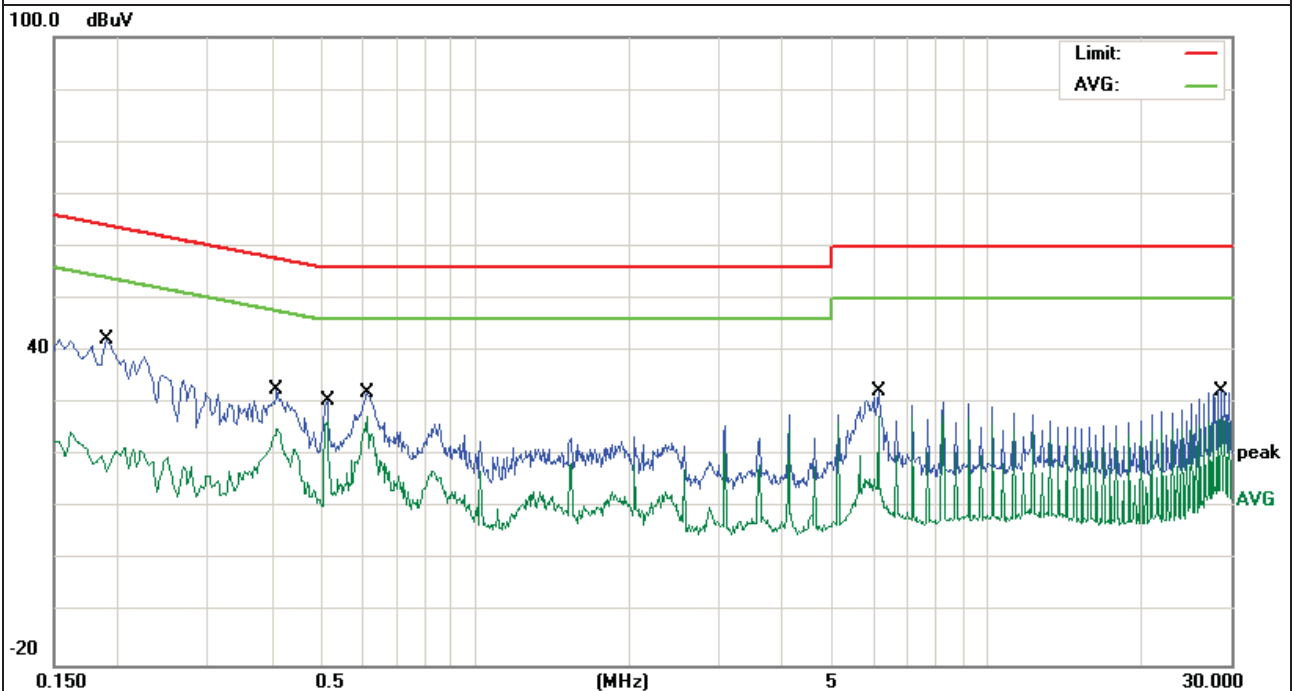
3.1.6 TEST RESULTS

EUT :	25"2.1 Sound Stand	Model Name :	SS2521-C6
Temperature :	26 °C	Relative Humidity :	54%
Pressure :	1010hPa	Phase :	L
Test Voltage :	AC 120V/60Hz	Test Mode :	Mode 4

Frequency (MHz)	Meter Reading (dBμV)	Factor (dB)	Emission Level (dBμV)	Limits (dBμV)	Margin (dB)	Remark
0.1900	32.59	9.61	42.20	64.03	-21.83	QP
0.1900	11.99	9.61	21.60	54.03	-32.43	AVG
0.4099	23.11	9.64	32.75	57.65	-24.90	QP
0.4099	15.41	9.64	25.05	47.65	-22.60	AVG
0.5140	20.73	9.68	30.41	56.00	-25.59	QP
0.5140	16.97	9.68	26.65	46.00	-19.35	AVG
0.6140	22.53	9.65	32.18	56.00	-23.82	QP
0.6140	17.86	9.65	27.51	46.00	-18.49	AVG
6.1460	22.99	9.51	32.50	60.00	-27.50	QP
6.1460	18.03	9.51	27.54	50.00	-22.46	AVG
28.6739	22.28	10.00	32.28	60.00	-27.72	QP
28.6739	17.06	10.00	27.06	50.00	-22.94	AVG

Remark:

1. All readings are Quasi-Peak and Average values.
2. Factor = Insertion Loss + Cable Loss.

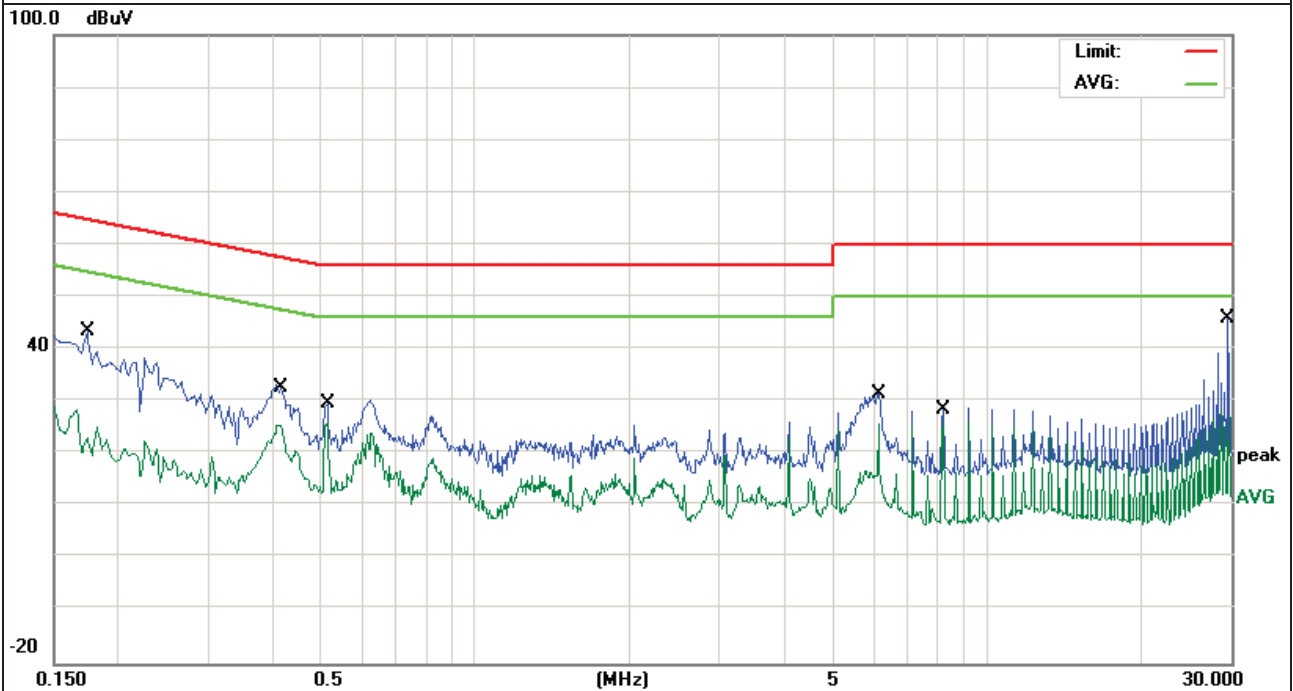


EUT :	25"2.1 Sound Stand	Model Name :	SS2521-C6
Temperature :	26 °C	Relative Humidity :	54%
Pressure :	1010hPa	Phase :	N
Test Voltage :	AC 120V/60Hz	Test Mode :	Mode 4

Frequency (MHz)	Meter Reading (dBμV)	Factor (dB)	Emission Level (dBμV)	Limits (dBμV)	Margin (dB)	Remark
0.1739	33.79	9.61	43.40	64.77	-21.37	QP
0.1739	18.94	9.61	28.55	54.77	-26.22	AVG
0.4179	23.74	9.64	33.38	57.49	-24.11	QP
0.4179	15.94	9.64	25.58	47.49	-21.91	AVG
0.5140	20.12	9.68	29.80	56.00	-26.20	QP
0.5140	16.26	9.68	25.94	46.00	-20.06	AVG
6.1460	22.02	9.51	31.53	60.00	-28.47	QP
6.1460	16.24	9.51	25.75	50.00	-24.25	AVG
8.1940	18.79	9.57	28.36	60.00	-31.64	QP
8.1940	16.43	9.57	26.00	50.00	-24.00	AVG
29.5740	35.96	10.01	45.97	60.00	-14.03	QP
29.5740	18.03	10.01	28.04	50.00	-21.96	AVG

Remark:

1. All readings are Quasi-Peak and Average values.
2. Factor = Insertion Loss + Cable Loss.

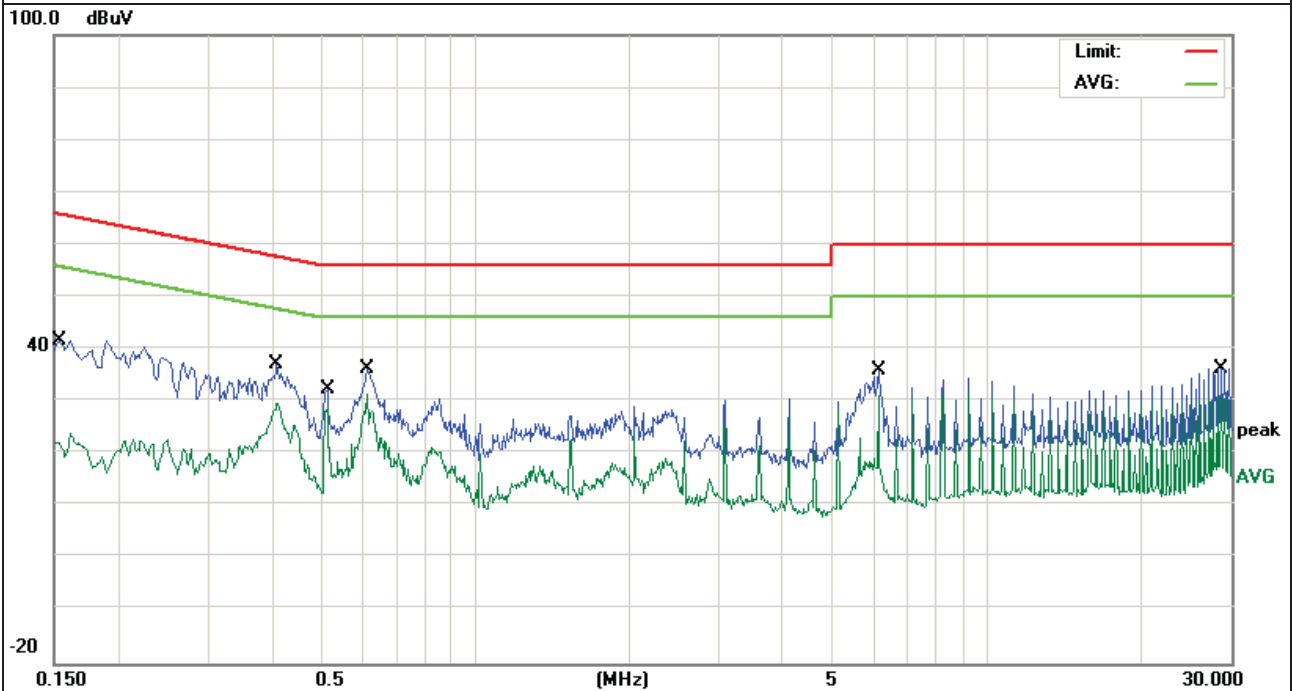


EUT :	25"2.1 Sound Stand	Model Name :	SS2521-C6
Temperature :	26 °C	Relative Humidity :	54%
Pressure :	1010hPa	Phase :	L
Test Voltage :	AC 240V/60Hz	Test Mode :	Mode 4

Frequency (MHz)	Meter Reading (dBμV)	Factor (dB)	Emission Level (dBμV)	Limits (dBμV)	Margin (dB)	Remark
0.1539	32.11	9.60	41.71	65.78	-24.07	QP
0.1539	14.32	9.60	23.92	55.78	-31.86	AVG
0.4097	27.61	9.64	37.25	57.65	-20.40	QP
0.4097	19.91	9.64	29.55	47.65	-18.10	AVG
0.5140	22.73	9.68	32.41	56.00	-23.59	QP
0.5140	18.97	9.68	28.65	46.00	-17.35	AVG
0.6139	26.53	9.65	36.18	56.00	-19.82	QP
0.6139	21.86	9.65	31.51	46.00	-14.49	AVG
6.1459	26.49	9.51	36.00	60.00	-24.00	QP
6.1459	21.53	9.51	31.04	50.00	-18.96	AVG
28.6737	26.28	10.00	36.28	60.00	-23.72	QP
28.6737	21.06	10.00	31.06	50.00	-18.94	AVG

Remark:

1. All readings are Quasi-Peak and Average values.
2. Factor = Insertion Loss + Cable Loss.

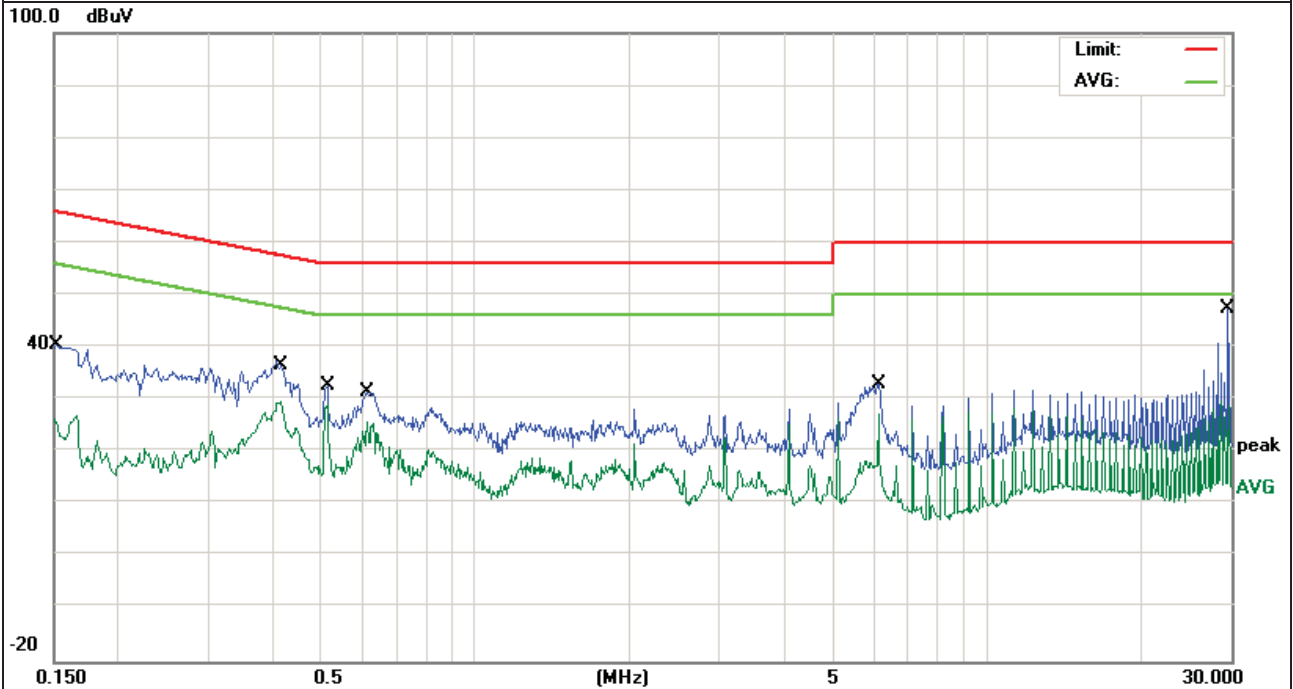


EUT :	25"2.1 Sound Stand	Model Name :	SS2521-C6
Temperature :	26 °C	Relative Humidity :	54%
Pressure :	1010hPa	Phase :	N
Test Voltage :	AC 240V/60Hz	Test Mode :	Mode 4

Frequency (MHz)	Meter Reading (dBμV)	Factor (dB)	Emission Level (dBμV)	Limits (dBμV)	Margin (dB)	Remark
0.1516	30.89	9.60	40.49	65.91	-25.42	QP
0.1516	17.45	9.60	27.05	55.91	-28.86	AVG
0.4178	27.74	9.64	37.38	57.49	-20.11	QP
0.4178	19.94	9.64	29.58	47.49	-17.91	AVG
0.5140	23.12	9.68	32.80	56.00	-23.20	QP
0.5140	19.26	9.68	28.94	46.00	-17.06	AVG
0.6139	21.73	9.65	31.38	56.00	-24.62	QP
0.6139	15.98	9.65	25.63	46.00	-20.37	AVG
6.1459	23.52	9.51	33.03	60.00	-26.97	QP
6.1459	17.74	9.51	27.25	50.00	-22.75	AVG
29.5740	37.46	10.01	47.47	60.00	-12.53	QP
29.5740	19.53	10.01	29.54	50.00	-20.46	AVG

Remark:

1. All readings are Quasi-Peak and Average values.
2. Factor = Insertion Loss + Cable Loss.



3.2 RADIATED EMISSION MEASUREMENT

3.2.1 RADIATED EMISSION LIMITS (Frequency Range 9kHz-1000MHz)

20dBc in any 100 kHz bandwidth outside the operating frequency band. In case the emission fall within the restricted band specified on 15.205(a)/ RSS-247 §5.5, then the 15.209(a) / RSS-Gen limit in the table below has to be followed.

Frequencies (MHz)	Field Strength (micorvolts/meter)	Measurement Distance (meters)
0.009~0.490	2400/F(KHz)	300
0.490~1.705	24000/F(KHz)	30
1.705~30.0	30	30
30~88	100	3
88~216	150	3
216~960	200	3
Above 960	500	3

LIMITS OF RADIATED EMISSION MEASUREMENT (Above 1000MHz)

FREQUENCY (MHz)	(dBuV/m) (at 3M)	
	PEAK	AVERAGE
Above 1000	74	54

Notes:

- (1) The limit for radiated test was performed according to FCC PART 15C/ RSS-Gen.
- (2) The tighter limit applies at the band edges.
- (3) Emission level (dBuV/m)=20log Emission level (uV/m).

FREQUENCY RANGE OF RADIATED MEASUREMENT (For unintentional radiators)

Highest frequency generated or Upper frequency of measurement used in the device or on which the device operates or tunes (MHz)	Range (MHz)
Below 1.705	30
1.705 – 108	1000
108 – 500	2000
500 – 1000	5000
Above 1000	5 th harmonic of the highest frequency or 40 GHz, whichever is lower

Spectrum Parameter	Setting
Attenuation	Auto
Start Frequency	1000 MHz
Stop Frequency	10th carrier harmonic
RB / VB (emission in restricted band)	1 MHz / 1 MHz for Peak, 1 MHz / 10Hz for Average , PEAK DETECTOR IS USED FOR BOTH

Receiver Parameter	Setting
Attenuation	Auto
Start ~ Stop Frequency	9kHz~150kHz / RB 200Hz for QP
Start ~ Stop Frequency	150kHz~30MHz / RB 9kHz for QP
Start ~ Stop Frequency	30MHz~1000MHz / RB 120kHz for QP

3.2.2 TEST PROCEDURE

- a. The measuring distance of at 3 m shall be used for measurements at frequency up to 1GHz. For frequencies above 1GHz, any suitable measuring distance may be used.
- b. The EUT was placed on the top of a rotating table 0.8 m for below 1GHz and 1.5m for above 1GHz the ground at a 3 meter open area test site. The table was rotated 360 degrees to determine the position of the highest radiation.
- c. The height of the equipment or of the substitution antenna shall be 0.8 m for below 1GHz and 1.5m for above 1GHz; the height of the test antenna shall vary between 1 m to 4 m. Both horizontal and vertical polarizations of the antenna are set to make the measurement.
- d. The initial step in collecting conducted emission data is a spectrum analyzer peak detector mode pre-scanning the measurement frequency range. Significant peaks are then marked and then Quasi Peak detector mode re-measured.
- e. If the Peak Mode measured value compliance with and lower than Quasi Peak Mode Limit, the EUT shall be deemed to meet QP Limits and then no additional QP Mode measurement performed.
- f. For the actual test configuration, please refer to the related Item –EUT Test Photos.

Note:

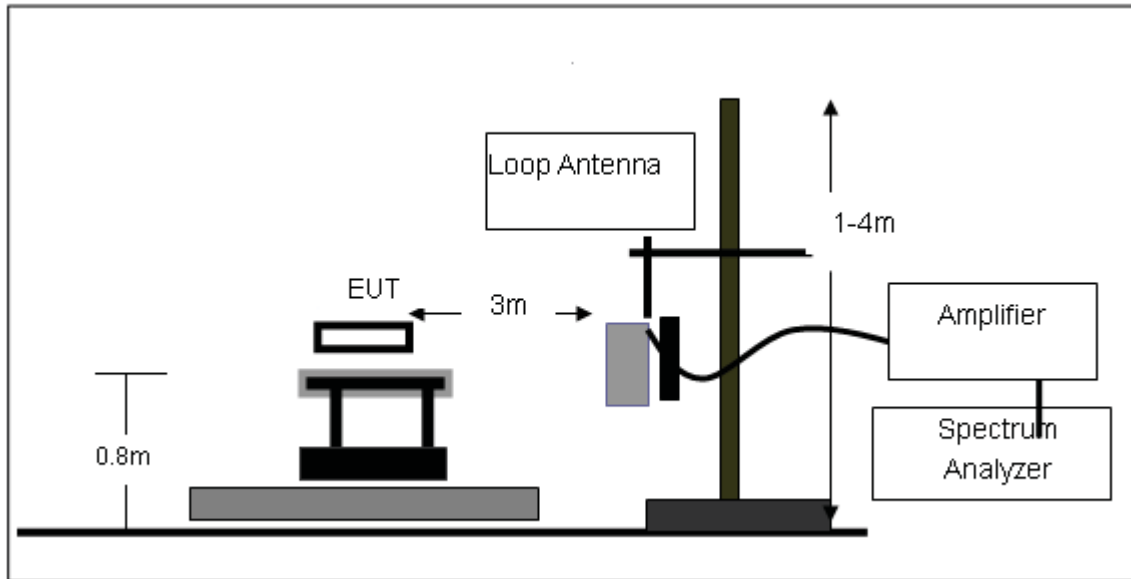
Both horizontal and vertical antenna polarities were tested and performed pretest to three orthogonal axis. The worst case emissions were reported

3.2.3 DEVIATION FROM TEST STANDARD

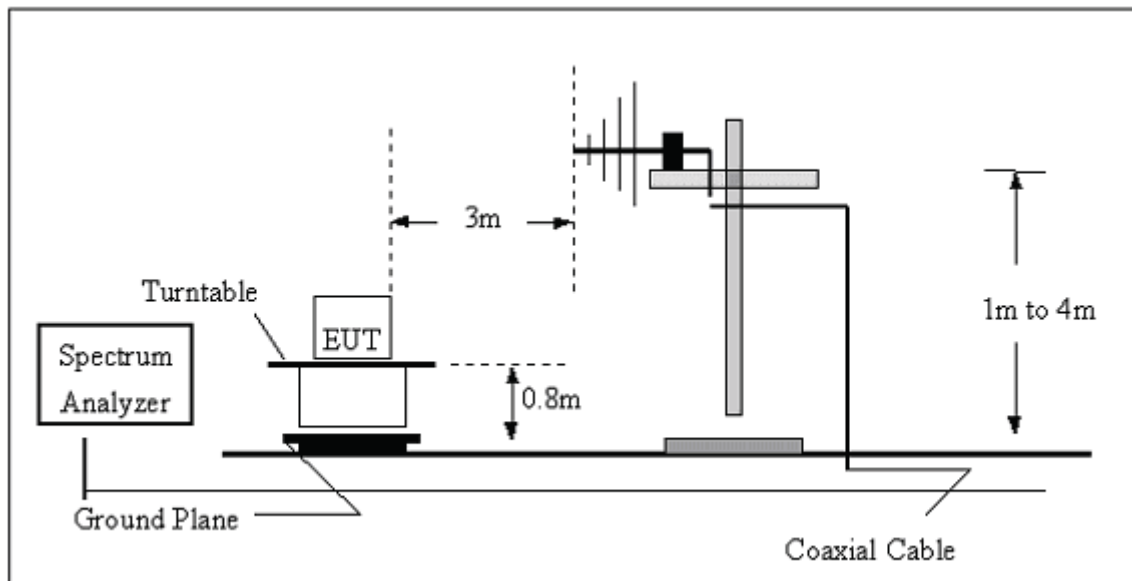
No deviation

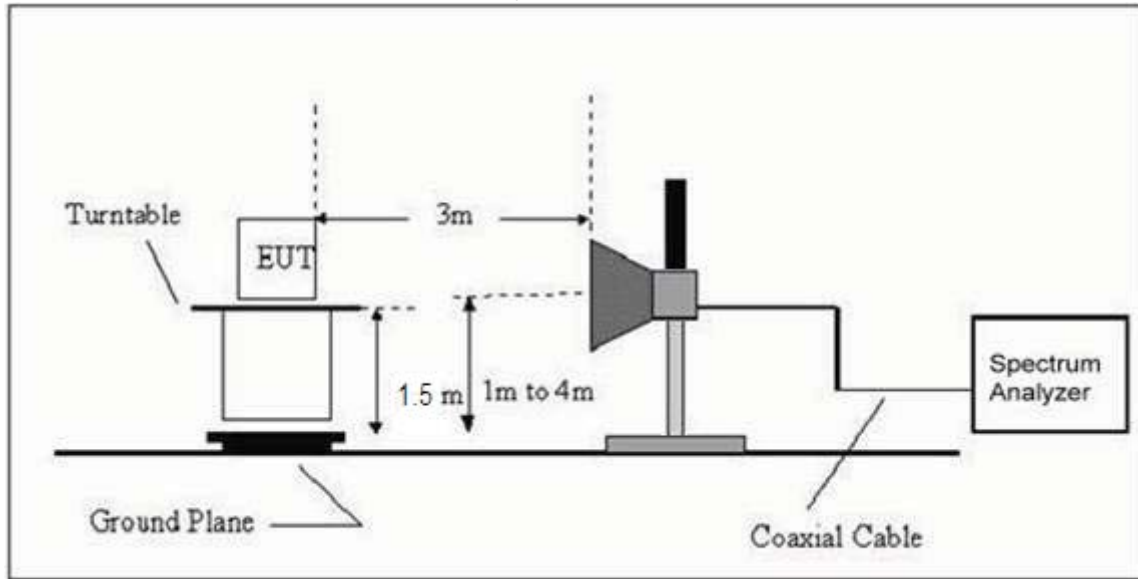
3.2.4 TEST SETUP

(A) Radiated Emission Test-Up Frequency Below 30MHz



(B) Radiated Emission Test-Up Frequency 30MHz~1GHz



(C) Radiated Emission Test-Up Frequency Above 1GHz**3.2.5 EUT OPERATING CONDITIONS**

The EUT tested system was configured as the statements of 2.4 Unless otherwise a special operating condition is specified in the follows during the testing.

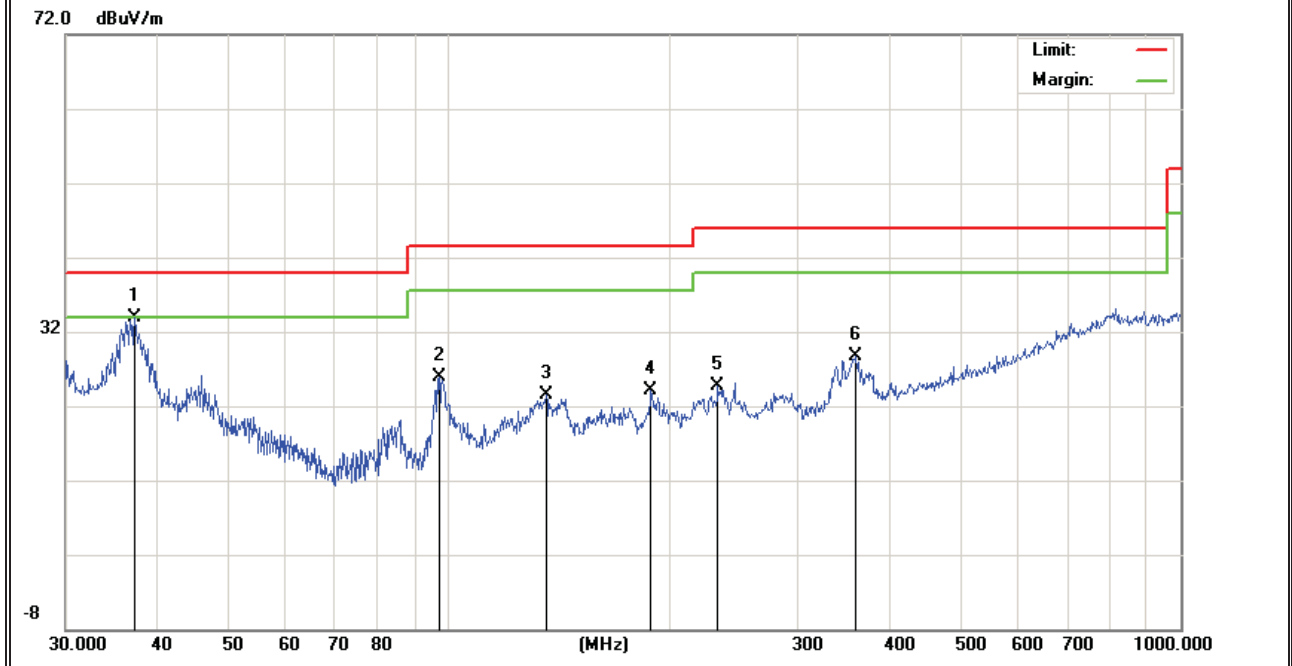
3.2.6 TEST RESULTS (BETWEEN 30MHZ – 1GHZ)

EUT :	25"2.1 Sound Stand	Model Name :	SS2521-C6
Temperature :	20 °C	Relative Humidity :	48%
Pressure:	1010 hPa	Test Voltage :	AC 120V/60Hz
Test Mode :	TX GFSK mode is the worst mode.		

Polar (H/V)	Frequency	Meter Reading	Factor	Emission Level	Limits	Margin	Remark
	(MHz)	(dBuV)	(dB)	(dBuV/m)	(dBuV/m)	(dB)	
V	37.2855	18.75	15.25	34.00	40.00	-6.00	QP
V	97.1148	17.15	8.68	25.83	43.50	-17.67	QP
V	135.9822	11.88	11.60	23.48	43.50	-20.02	QP
V	189.0743	13.45	10.70	24.15	43.50	-19.35	QP
V	233.3487	11.63	13.04	24.67	46.00	-21.33	QP
V	360.4476	12.01	16.67	28.68	46.00	-17.32	QP

Remark:

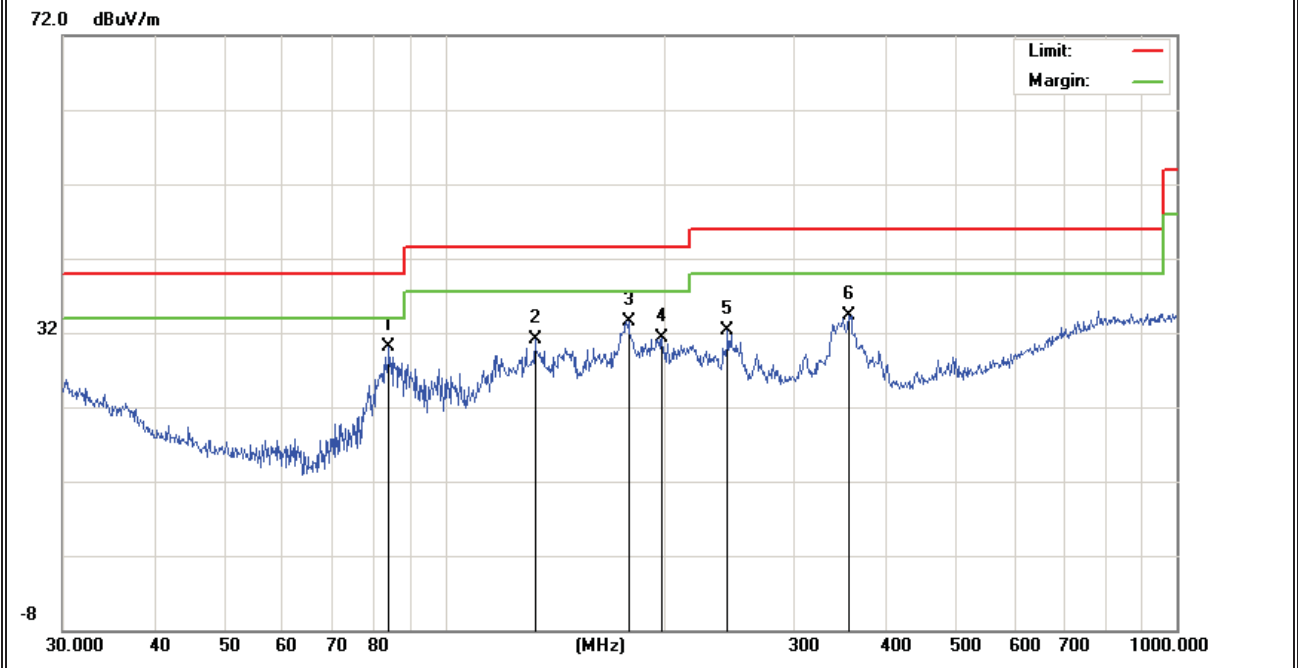
Absolute Level= ReadingLevel+ Factor, Margin= Absolute Level - Limit



Polar (H/V)	Frequency	Meter Reading	Factor	Emission Level	Limits	Margin	Remark
	(MHz)	(dBUV)	(dB)	(dBUV/m)	(dBUV/m)	(dB)	
H	83.8156	23.40	6.63	30.03	40.00	-9.97	QP
H	132.6850	19.29	11.76	31.05	43.50	-12.45	QP
H	178.1327	22.98	10.61	33.59	43.50	-9.91	QP
H	197.8928	20.63	10.77	31.40	43.50	-12.10	QP
H	243.3772	18.69	13.52	32.21	46.00	-13.79	QP
H	356.6758	17.84	16.51	34.35	46.00	-11.65	QP

Remark:

Absolute Level= ReadingLevel+ Factor, Margin= Absolute Level - Limit



3.2.7 TEST RESULTS (ABOVE 1000 MHZ)

EUT :	25"2.1 Sound Stand	Model Name :	SS2521-C6
Temperature :	20 °C	Relative Humidity :	48%
Pressure:	1010 hPa	Test Voltage :	AC 120V/60Hz
Test Mode :	TX-GFSK		

Frequency (MHz)	Reading (dBµV)	Factor (dB)	Emission Level (dBµV/m)	Limit (dBµV/m)	Margin (dB)	Remark	Polar (H/V)
Low Channel (2402 MHz)-Above 1G							
4804.189	60.25	-3.64	56.61	74	-17.39	Pk	Vertical
4804.189	43.15	-3.64	39.51	54	-14.49	AV	Vertical
7206.201	53.09	-0.95	52.14	74	-21.86	Pk	Vertical
7206.201	38.15	-0.95	37.2	54	-16.8	AV	Vertical
4804.245	59.79	-3.64	56.15	74	-17.85	Pk	Horizontal
4804.245	43.11	-3.64	39.47	54	-14.53	AV	Horizontal
7206.104	55.23	-0.95	54.28	74	-19.72	Pk	Horizontal
7206.104	39.1	-0.95	38.15	54	-15.85	AV	Horizontal
Mid Channel (2441 MHz)-Above 1G							
4882.123	59.64	-3.68	55.96	74	-18.04	Pk	Vertical
4882.123	41.27	-3.68	37.59	54	-16.41	AV	Vertical
7323.264	57.06	-0.82	56.24	74	-17.76	Pk	Vertical
7323.264	41.51	-0.82	40.69	54	-13.31	AV	Vertical
4882.109	59.08	-3.68	55.4	74	-18.6	Pk	Horizontal
4882.109	41.13	-3.68	37.45	54	-16.55	AV	Horizontal
7323.326	55.95	-0.82	55.13	74	-18.87	Pk	Horizontal
7323.326	40.63	-0.82	39.81	54	-14.19	AV	Horizontal
High Channel (2480MHz)- Above 1G							
4960.154	60.98	-3.59	57.39	74	-16.61	Pk	Vertical
4960.154	43.08	-3.59	39.49	54	-14.51	AV	Vertical
7440.223	55.88	-0.68	55.2	74	-18.8	Pk	Vertical
7440.223	39.67	-0.68	38.99	54	-15.01	AV	Vertical
4960.199	59.21	-3.59	55.62	74	-18.38	Pk	Horizontal
4960.199	41.79	-3.59	38.2	54	-15.8	AV	Horizontal
7440.268	55.28	-0.68	54.6	74	-19.4	Pk	Horizontal
7440.268	39.64	-0.68	38.96	54	-15.04	AV	Horizontal

Remark: "GFSK" mode is the worst mode.

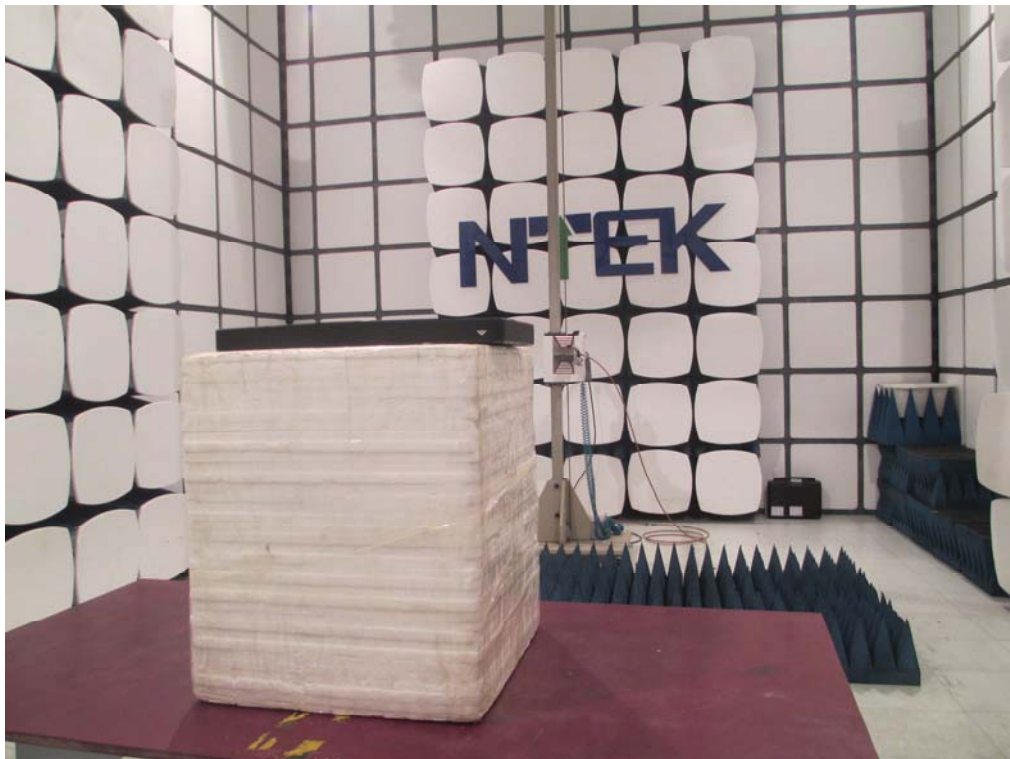
Factor = Antenna Factor + Cable Loss – Pre-amplifier.

Emission Level = Reading + Factor

Margin = Emission Level- Limit

4. EUT TEST PHOTO

Radiated Measurement Photos



CONDUCTED EMISSION Photos

