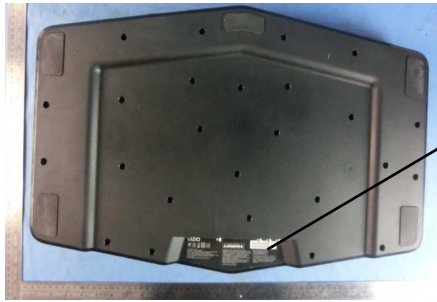
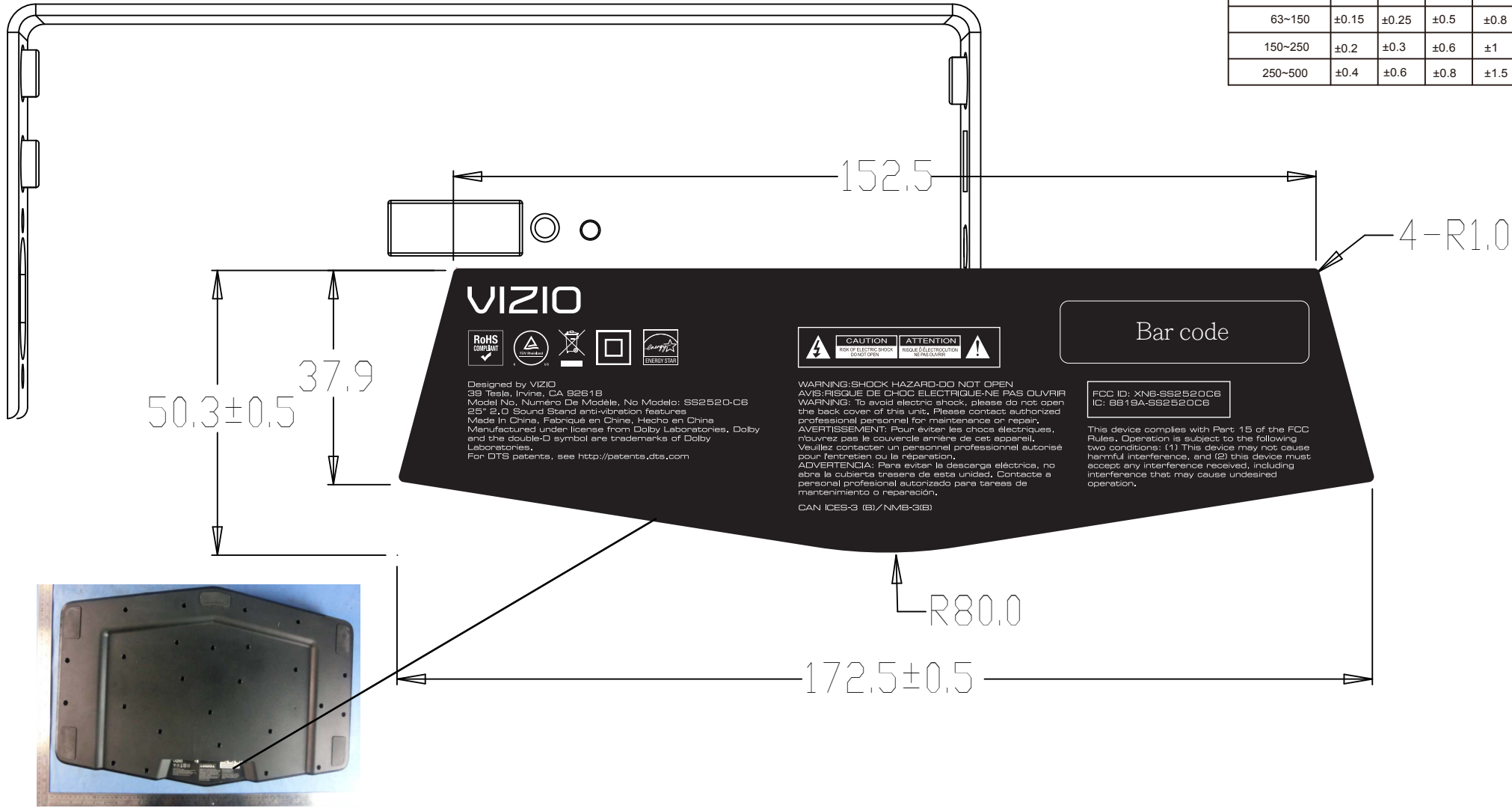


3RD ANGLE PROJECTION 

TOLERANCES	A	B	C	D	ANGLE
~16	±0.05	±0.1	±0.2	±0.4	± 10'
16~63	±0.1	±0.2	±0.4	±0.6	± 15'
63~150	±0.15	±0.25	±0.5	±0.8	± 30'
150~250	±0.2	±0.3	±0.6	±1	± 1°
250~500	±0.4	±0.6	±0.8	±1.5	±



E			
D			
C			
B			
A	PROTOTYPE-A4	12.26.14	PENGCHENGZHU
ISS	CHANGE RECORDS	DATE	REVISER

TITLE. PRODUCT-LABEL	REV	SHEET	MODEL.: VIZIO SS2520-C6	
	A	1/1	MODEL.: TS-0000037AA	DATE: 12.26.2014
MATERIAL. 200#合成紙+过哑膜	NO. K1203-0006009	PART NO.: 10602160241		SCALE: 1:1
COLOR. 黑底白字	DRAWER.: PENGCHENGZHU	APPROVAL.	CHECKED.	DESIGN.
ZYLUX Acoustic Corporation		POBBY	YONG	PENGCHENGZHU

A

B

C

D

E