

SC668S&SC696S Series

Hardware Design

Smart Module Series

Version: 1.0.0

Date: 2023-06-20

Status: Preliminary



At Quectel, our aim is to provide timely and comprehensive services to our customers. If you require any assistance, please contact our headquarters:

Quectel Wireless Solutions Co., Ltd.

Building 5, Shanghai Business Park Phase III (Area B), No.1016 Tianlin Road, Minhang District, Shanghai 200233, China

Tel: +86 21 5108 6236

Email: info@quectel.com

Or our local offices. For more information, please visit:

<http://www.quectel.com/support/sales.htm>.

For technical support, or to report documentation errors, please visit:

<http://www.quectel.com/support/technical.htm>.

Or email us at: support@quectel.com.

Legal Notices

We offer information as a service to you. The provided information is based on your requirements and we make every effort to ensure its quality. You agree that you are responsible for using independent analysis and evaluation in designing intended products, and we provide reference designs for illustrative purposes only. Before using any hardware, software or service guided by this document, please read this notice carefully. Even though we employ commercially reasonable efforts to provide the best possible experience, you hereby acknowledge and agree that this document and related services hereunder are provided to you on an “as available” basis. We may revise or restate this document from time to time at our sole discretion without any prior notice to you.

Use and Disclosure Restrictions

License Agreements

Documents and information provided by us shall be kept confidential, unless specific permission is granted. They shall not be accessed or used for any purpose except as expressly provided herein.

Copyright

Our and third-party products hereunder may contain copyrighted material. Such copyrighted material shall not be copied, reproduced, distributed, merged, published, translated, or modified without prior written consent. We and the third party have exclusive rights over copyrighted material. No license shall be granted or conveyed under any patents, copyrights, trademarks, or service mark rights. To avoid ambiguities, purchasing in any form cannot be deemed as granting a license other than the normal non-exclusive, royalty-free license to use the material. We reserve the right to take legal action for noncompliance with abovementioned requirements, unauthorized use, or other illegal or malicious use of the material.

Trademarks

Except as otherwise set forth herein, nothing in this document shall be construed as conferring any rights to use any trademark, trade name or name, abbreviation, or counterfeit product thereof owned by Quectel or any third party in advertising, publicity, or other aspects.

Third-Party Rights

This document may refer to hardware, software and/or documentation owned by one or more third parties (“third-party materials”). Use of such third-party materials shall be governed by all restrictions and obligations applicable thereto.

We make no warranty or representation, either express or implied, regarding the third-party materials, including but not limited to any implied or statutory, warranties of merchantability or fitness for a particular purpose, quiet enjoyment, system integration, information accuracy, and non-infringement of any third-party intellectual property rights with regard to the licensed technology or use thereof. Nothing herein constitutes a representation or warranty by us to either develop, enhance, modify, distribute, market, sell, offer for sale, or otherwise maintain production of any our products or any other hardware, software, device, tool, information, or product. We moreover disclaim any and all warranties arising from the course of dealing or usage of trade.

Privacy Policy

To implement module functionality, certain device data are uploaded to Quectel’s or third-party’s servers, including carriers, chipset suppliers or customer-designated servers. Quectel, strictly abiding by the relevant laws and regulations, shall retain, use, disclose or otherwise process relevant data for the purpose of performing the service only or as permitted by applicable laws. Before data interaction with third parties, please be informed of their privacy and data security policy.

Disclaimer

- a) We acknowledge no liability for any injury or damage arising from the reliance upon the information.
- b) We shall bear no liability resulting from any inaccuracies or omissions, or from the use of the information contained herein.
- c) While we have made every effort to ensure that the functions and features under development are free from errors, it is possible that they could contain errors, inaccuracies, and omissions. Unless otherwise provided by valid agreement, we make no warranties of any kind, either implied or express, and exclude all liability for any loss or damage suffered in connection with the use of features and functions under development, to the maximum extent permitted by law, regardless of whether such loss or damage may have been foreseeable.
- d) We are not responsible for the accessibility, safety, accuracy, availability, legality, or completeness of information, advertising, commercial offers, products, services, and materials on third-party websites and third-party resources.

Copyright © Quectel Wireless Solutions Co., Ltd. 2023. All rights reserved.

Safety Information

The following safety precautions must be observed during all phases of operation, such as usage, service or repair of any terminal or mobile incorporating the module. Manufacturers of the terminal should notify users and operating personnel of the following safety information by incorporating these guidelines into all manuals of the product. Otherwise, Quectel assumes no liability for customers' failure to comply with these precautions.



Full attention must be paid to driving at all times in order to reduce the risk of an accident. Using a mobile while driving (even with a handsfree kit) causes distraction and can lead to an accident. Please comply with laws and regulations restricting the use of wireless devices while driving.



Switch off the cellular terminal or mobile before boarding an aircraft. The operation of wireless appliances in an aircraft is forbidden to prevent interference with communication systems. If there is an Airplane Mode, it should be enabled prior to boarding an aircraft. Please consult the airline staff for more restrictions on the use of wireless devices on an aircraft.



Wireless devices may cause interference on sensitive medical equipment, so please be aware of the restrictions on the use of wireless devices when in hospitals, clinics or other healthcare facilities.



Cellular terminals or mobiles operating over radio signal and cellular network cannot be guaranteed to connect in certain conditions, such as when the mobile bill is unpaid or the (U)SIM card is invalid. When emergency help is needed in such conditions, use emergency call if the device supports it. In order to make or receive a call, the cellular terminal or mobile must be switched on in a service area with adequate cellular signal strength. In an emergency, the device with emergency call function cannot be used as the only contact method considering network connection cannot be guaranteed under all circumstances.



The cellular terminal or mobile contains a transmitter and receiver. When it is ON, it receives and transmits radio frequency signals. RF interference can occur if it is used close to TV set, radio, computer or other electric equipment.



In locations with potentially explosive atmospheres, obey all posted signs to turn off wireless devices such as mobile phone or other cellular terminals. Areas with potentially explosive atmospheres include fuelling areas, below decks on boats, fuel or chemical transfer or storage facilities, areas where the air contains chemicals or particles such as grain, dust or metal powders.

About the Document

Revision History

Version	Date	Author	Description
-	2023-06-20	Lemon LIU/ Gang HUANG/ Wilde WANG	Creation of the document
1.0.0	2023-06-20	Lemon LIU/ Gang HUANG/ Wilde WANG	Preliminary

Contents

Safety Information..... 3

About the Document..... 5

Contents..... 6

Table Index..... 9

Figure Index..... 11

1 Introduction 13

 1.1. Special Marks..... 13

2 Product Overview 14

 2.1. Frequency Bands and Functions 14

 2.2. Key Features..... 15

 2.3. Pin Assignment 18

 2.4. Pin Description 19

 2.5. EVB Kit..... 33

3 Operating Characteristics 34

 3.1. Power Supply 34

 3.1.1. Power Supply Pins..... 34

 3.1.2. Reference Design for Power Supply..... 34

 3.1.3. Voltage Stability Requirements..... 35

 3.2. Turn On 36

 3.2.1. Turn On with PWRKEY 36

 3.2.2. Turn On the Module Automatically 38

 3.3. Turn Off/Restart 39

 3.4. VRTC..... 39

 3.5. Power Output 41

4 Application Interfaces 42

 4.1. USB Interface..... 42

 4.1.1. USB Type-C Mode 42

 4.1.2. Micro USB Interface..... 45

 4.1.3. Design Principles for USB Interfaces..... 46

 4.2. (U)SIM Interfaces 47

 4.3. SD Card Interface 50

 4.4. GPIO Interfaces 52

 4.5. UART Interfaces..... 53

 4.6. SPI Interfaces..... 55

 4.7. I2C Interfaces..... 56

 4.8. I2S Interfaces 57

 4.9. Multiplexing Relationship of UART/SPI/I2C/I2S 57

4.10.	ADC Interfaces.....	59
4.11.	LCM Interface.....	59
4.12.	Touch Panel Interface.....	62
4.13.	Camera Interfaces.....	63
4.14.	Sensor Interfaces.....	70
4.15.	Audio Interfaces.....	71
4.15.1.	Reference Design for Microphone Interfaces.....	72
4.15.2.	Reference Design for Headset Interface.....	73
4.15.3.	Reference Design for Headphone Interface.....	73
4.15.4.	Reference Design for Loudspeaker Interface.....	74
4.15.5.	Audio Interfaces Design Considerations.....	74
4.16.	Emergency Download Interface.....	75
5	Antenna Interfaces.....	76
5.1.	Cellular Network.....	76
5.1.1.	Antenna Interface & Frequency Bands.....	76
5.1.2.	Tx Power.....	78
5.2.	GNSS.....	79
5.2.1.	Antenna Interface & Frequency Bands.....	79
5.2.2.	GNSS Performance.....	80
5.2.3.	Reference Design.....	80
5.2.3.1.	Reference Design for GNSS Passive Antenna.....	80
5.2.3.2.	Reference Design for GNSS Active Antenna.....	81
5.2.3.3.	GNSS RF Design Guidelines.....	81
5.3.	Wi-Fi and Bluetooth.....	82
5.3.1.	Wi-Fi Overview.....	83
5.3.2.	Bluetooth Overview.....	83
5.3.3.	Reference Design.....	84
5.4.	RF Routing Guidelines.....	84
5.5.	Antenna Design Requirement.....	86
5.6.	RF Connector Recommendation.....	87
6	Electrical Characteristics and Reliability.....	90
6.1.	Absolute Maximum Ratings.....	90
6.2.	Power Supply Ratings.....	90
6.3.	Power consumption.....	91
6.4.	Digital I/O Characteristics.....	94
6.5.	ESD Protection.....	96
6.6.	Operating and Storage Temperatures.....	97
7	Mechanical Information.....	98
7.1.	Mechanical Dimensions.....	98
7.2.	Recommended Footprint.....	100
7.3.	Top and Bottom Views.....	101
8	Storage, Manufacturing & Packaging.....	102

8.1.	Storage Conditions.....	102
8.2.	Manufacturing and Soldering.....	103
8.3.	Packaging Specification.....	105
8.3.1.	Carrier Tape	105
8.3.2.	Plastic Reel	106
8.3.3.	Mounting Direction	106
8.3.4.	Packaging Process	107
9	Appendix References	108
10	Warning statements.....	113
10.1.	FCC	113
10.1.1.	Important Notice to OEM integrators	113
10.1.2.	Important Note	113
10.1.3.	End Product Labeling.....	113
10.1.4.	Antenna Installation.....	114
10.1.5.	Manual Information to the End User	114
10.1.6.	Federal Communication Commission Interference Statement.....	115
10.1.7.	List of applicable FCC rules	115
10.1.8.	This device is intended only for OEM integrators under the following conditions:(For module device use).....	115
10.1.9.	Radiation Exposure Statement	116
10.2.	IC	116
10.2.1.	Industry Canada Statement	116
10.2.2.	Radiation Exposure Statement	116
10.2.3.	Déclaration d'exposition aux radiations:	116
10.2.4.	RSS-247 Section 6.4 (5) (6) (for local area network devices, 5GHz).....	116
10.2.5.	This device is intended only for OEM integrators under the following conditions: (For module device use).....	117
10.2.6.	Cet appareil est conçu uniquement pour les intégrateurs OEM dans les conditions suivantes: (Pour utilisation de dispositif module)	117
10.2.7.	IMPORTANT NOTE:.....	118
10.2.8.	NOTE IMPORTANTE:.....	118
10.2.9.	End Product Labeling.....	118
10.2.10.	Plaque signalétique du produit final.....	118
10.2.11.	Manual Information To the End User	118
10.2.12.	Manuel d'information à l'utilisateur final	118
10.3.	Trace design	119
10.4.	Dielectric constant, and Impedance.....	119

Table Index

Table 1: Special Marks.....	13
Table 2: Brief Introduction of the Module.....	14
Table 3: Wireless Network Type	14
Table 4: Key Features.....	15
Table 5: Definition of I/O Parameters.....	20
Table 6: Pin Description	20
Table 7: Pin Definition of Power Supply.....	34
Table 8: Pin Definition of PWRKEY	36
Table 9: Pin Definition of CBL_PWR_N.....	38
Table 10: Pin Definition of VRTC	39
Table 11: Power Description	41
Table 12: Pin Definition of USB Type-C Interface	42
Table 13: Pin Definition of Micro USB.....	45
Table 14: USB Trace Length Inside the Module.....	46
Table 15: Pin Definition of (U)SIM Interface	47
Table 16: Pin Definition of SD Card Interface.....	50
Table 17: SD Card Signal Trace Length Inside the Module	52
Table 18: Pin Definition of GPIOs	52
Table 19: Pin Definition of UART	54
Table 20: Pin Definition of SPI Interfaces	55
Table 21: Pin Definition of I2C Interfaces	56
Table 22: Pin Definition of I2S Interface	57
Table 23: Multiplexing Relationship of UART/SPI/I2C/I2S	57
Table 24: Pin Definition of ADC Interfaces	59
Table 25: Pin Definition of LCM	59
Table 26: Pin Definition of Touch Panel Interfaces.....	62
Table 27: Pin Definition of Camera Interfaces	63
Table 28: Relationship Between CSI Rate and Trace Length (D-PHY)	67
Table 29: Relationship Between DSI Rate and Trace Length (D-PHY)	68
Table 30: Trace Length of MIPI Differential Pairs Inside the Module	68
Table 31: Pin Definition of Sensor Interfaces	70
Table 32: Pin Definition of Audio Interfaces.....	71
Table 33: Pin Definition of USB_BOOT	75
Table 34: Pin Definition of Cellular Network Interface	76
Table 35: Operating Frequency of SC668S-EM & SC696S-EM*	76
Table 36: Operating Frequency of SC668S-NA & SC696S-NA*.....	77
Table 37: Tx Power of SC668S-EM & SC696S-EM*	78
Table 38: Tx Power of SC668S-NA & SC696S-NA*	78
Table 41: Pin Definition of GNSS Antenna Interface	79
Table 42: Operating Frequency	79
Table 43: GNSS Performance	80

Table 44: Pin Definition of Wi-Fi/Bluetooth Interfaces	82
Table 45: Wi-Fi/Bluetooth Frequency	82
Table 46: Wi-Fi Transmitting Performance	83
Table 47: Wi-Fi Receiving Performance	83
Table 48: Bluetooth Data Rate and Version	83
Table 49: Bluetooth Transmitting and Receiving Performance	84
Table 50: Requirements for Antenna Design.....	86
Table 51: Absolute Maximum Ratings	90
Table 52: The Module's Power Supply Ratings.....	90
Table 53: SC668S-EM & SC696S-EM* Power Consumption	91
Table 54: SC668S-NA & SC696S-NA* Power Consumption	93
Table 55: 1.8 V I/O Requirements	94
Table 56: (U)SIM 1.8 V I/O Requirements	95
Table 57: (U)SIM 2.95 V I/O Requirements	95
Table 58: SD Card 1.8 V I/O Requirements	95
Table 59: SD Card 2.95 V I/O Requirements	96
Table 60: Electrostatic Discharge Characteristics (Temperature: 25–30 °C, Humidity: 40 ±5 %).....	96
Table 61: Operating and Storage Temperatures	97
Table 62: Recommended Thermal Profile Parameters	104
Table 63: Carrier Tape Dimension Table (Unit: mm).....	105
Table 64: Plastic Reel Dimension Table (Unit: mm).....	106
Table 65: Related Documents.....	108
Table 66: Terms and Abbreviations	108

Figure Index

Figure 2: Pin Assignment.....	19
Figure 3: Reference Design of Power Supply.....	34
Figure 4: Voltage Drop Sample.....	35
Figure 5: Structure of Power Supply.....	36
Figure 6: Turn On the Module Using Driving Circuit.....	36
Figure 7: Turn On the Module Using Button.....	37
Figure 8: Turn-on Timing.....	37
Figure 9: Turn On the Module Automatically.....	38
Figure 10: Power-down Timing.....	39
Figure 11: RTC Powered by a Rechargeable Cell Battery.....	40
Figure 12: RTC Powered by Capacitor.....	40
Figure 13: USB Type-C Interface Reference Design.....	44
Figure 14: Micro-USB Interface Reference Design.....	45
Figure 15: Reference Design of (U)SIM Interface with an 8-Pin (U)SIM Card Connector.....	48
Figure 16: Reference Design of (U)SIM Interface with a 6-Pin (U)SIM Card Connector.....	49
Figure 17: Reference Design for SD Card Interface.....	51
Figure 18: Reference Design of UART with Level-shifting Chip (for UART0).....	54
Figure 19: Reference Design of UART with RS-232 Level-shifting Chip (for UART0).....	55
Figure 20: LCM External Backlight Driver Reference Design.....	60
Figure 21: Reference Design for LCM Interface.....	61
Figure 22: Reference Design for TP0 Interface.....	62
Figure 23: Reference Design for Three-Camera Applications.....	66
Figure 24: Reference Design for ECM Microphone Interface.....	72
Figure 25: Reference Design for MEMS Microphone Interface.....	72
Figure 26: Reference Design for Headset Interface.....	73
Figure 27: Reference Design for Headphone Interface.....	73
Figure 28: Reference Design for Loudspeaker Interface.....	74
Figure 29: Reference Design for Emergency Download Interface.....	75
Figure 31: Reference Design for GNSS Passive Antenna.....	81
Figure 32: Reference Design for GNSS Active Antenna.....	81
Figure 33: Reference Design for Wi-Fi/Bluetooth Antenna.....	84
Figure 34: Microstrip Design on a 2-layer PCB.....	85
Figure 35: Coplanar Waveguide Design on a 2-layer PCB.....	85
Figure 36: Coplanar Waveguide Design on a 4-layer PCB (Layer 3 as Reference Ground).....	85
Figure 37: Coplanar Waveguide Design on a 4-layer PCB (Layer 4 as Reference Ground).....	86
Figure 38: Dimensions of the Receptacle (Unit: mm).....	88
Figure 39: Specifications of Mated Plugs (Unit: mm).....	88
Figure 40: Space Factor of Mated Connectors (Unit: mm).....	89
Figure 41: Module Top and Side Dimensions (Unit: mm).....	98
Figure 42: Module Bottom Dimensions (Unit: mm).....	99
Figure 43: Recommended Footprint.....	100

Figure 44: Top and Bottom Views of SC668S Series.....	101
Figure 45: Top and Bottom Views of SC696S Series.....	101
Figure 46: Recommended Reflow Soldering Thermal Profile	103
Figure 47: Carrier Tape Dimension Drawing.....	105
Figure 48: Plastic Reel Dimension Drawing	106
Figure 49: Mounting Direction	106
Figure 50: Packaging Process	107

1 Introduction

This document defines the SC668S and SC696S series modules and describes their air interfaces and hardware interfaces which are connected with your applications.

It can help you quickly understand interface specifications, electrical and mechanical details, as well as other related information of the module. Associated with application notes and user guides, you can use this module to design and to set up mobile applications easily.

NOTE

For conciseness purposes, SC668S and SC696S series modules will hereinafter be referred to collectively as “the module/modules” in parts hereof applicable to both module series, and individually as “SC668S series” and “SC696S series” in parts hereof referring to the differences between them.

1.1. Special Marks

Table 1: Special Marks

Mark	Definition
*	Unless otherwise specified, when an asterisk (*) is used after a function, feature, interface, pin name, AT command, or argument, it indicates that the function, feature, interface, pin, AT command, or argument is under development and currently not supported; and the asterisk (*) after a model indicates that the sample of the model is currently unavailable.
[...]	Brackets ([...]) used after a pin enclosing a range of numbers indicate all pins of the same type. For example, SDIO_DATA [0:3] refers to all four SDIO pins: SDIO_DATA0, SDIO_DATA1, SDIO_DATA2, and SDIO_DATA3.

2 Product Overview

SC668S and SC696S series are smart LTE modules providing industrial-grade performance. SC668S series is based on Android operating system while SC696S series is based on Linux operating system. The module supports multiple audio and video codecs, built-in high performance Adreno™ 610 GPU and multiple audio and video input/output interfaces as well as abundant GPIO interfaces.

With these, the module is engineered to meet the demanding requirements in M2M applications, such as smart cash register, wireless POS, tax printer, security monitor, automotive device, information collection device, smart robot, smart home, smart hardware, industrial PDA, UVAs, alarm panel, vending machine, parcel locker. Related information and details are listed in the table below:

Table 2: Brief Introduction of the Module

Categories	
Packaging and pins number	LCC: 152; LGA: 171
Dimensions	(44.0 ±0.15) mm × (43.0 ±0.15) mm × (2.85 ±0.20) mm
Weight	Approx. 12.0 g
Variants	SC668S-WF/-EM/-NA SC696S-WF* /-EM* /-NA*

2.1. Frequency Bands and Functions

Table 3: Wireless Network Type

Wireless Network Type	SC668S-EM & SC696S-EM*	SC668S-WF & SC696S-WF*	SC668S-NA & SC696S-NA*
LTE-FDD	B1/B2/B3/B4/B5/B7/B8/ B20/B28	-	B2/B4/B5/B7/B12/B13/ B14/B17/B25/B26/B66/ B71
LTE-TDD	B38/B39/B40/ B41 (200 MHz)	-	B41 (200 MHz)

WCDMA	B1/B2/B4/B5/B8	-	-
GSM	GSM850/EGSM900/ DCS1800/PCS1900	-	-
Wi-Fi	2412–2462 MHz	2412–2462 MHz	2412–2462 MHz
802.11a/b/g/n/ac	5180-5825 MHz	5180–5825 MHz	5180–5825 MHz
BLE 5.0	2402–2480 MHz	2402–2480 MHz	2402–2480 MHz
GNSS	GPS/QZSS: 1575.42 ±1.023 MHz	-	GPS/QZSS: 1575.42 ±1.023 MHz
	GLONASS: 1597.5–1605.8 MHz		GLONASS: 1597.5–1605.8 MHz
	BDS: 1561.098 ±2.046 MHz		BDS: 1561.098 ±2.046 MHz
	Galileo: 1575.42 ±2.046 MHz		Galileo: 1575.42 ±2.046 MHz

2.2. Key Features

Table 4: Key Features

Feature	Details
Application Processor	ARM Kryo™ 260 CPU (octa-core 64-bit): <ul style="list-style-type: none"> ● Kryo Gold: One high performance quad-core @ 2.0 GHz with 1 MB L2 cache ● Kryo Silver: One low power consumption quad-core @ 1.8 GHz with 512 KB L2 cache
Modem System	LTE Cat 4 (FDD & TDD)
GPU	Adreno™ 610 GPU with 64-bit addressing @ 950 MHz
DSP	Hexagon™ DSP, supports Dual HVX 512
Memory	SC668S series: <ul style="list-style-type: none"> ● eMCP: 32 GB eMMC + 3 GB LPDDR4X (optional) ● eMCP: 64 GB eMMC + 4 GB LPDDR4X (default) ● uMCP: 128 GB UFS + 8 GB LPDDR4X (optional) SC696S series: <ul style="list-style-type: none"> ● eMCP: 16 GB eMMC + 2 GB LPDDR4X
Operating System	SC668S series: Android 10/11/13* SC696S series: Linux 4.14
Power Supply	<ul style="list-style-type: none"> ● Supply voltage: 3.55–4.4 V ● Typical supply voltage: 3.8 V

SMS	<ul style="list-style-type: none"> ● Text and PDU mode ● Point-to-point MO and MT ● SMS cell broadcast ● SMS storage: Module by default
LCM Interface	<ul style="list-style-type: none"> ● Supports one group of 4-lane MIPI_DSI, up to 1.5 Gbps/lane ● Supports up to 1920 × 1200 @ 60 fps or 1080 × 2520 @ 60 fps
Camera Interfaces	<ul style="list-style-type: none"> ● Supports three groups of 4-lane MIPI_CSI, up to 2.1 Gbps/lane ● Support three cameras (4-lane + 4-lane + 4-lane), each camera (4-lane) can be divided into 2-lane + 1-lane. Supports up to six cameras (up to two cameras at the same time) ● Supports up to 16 MP + 16 MP or 24 MP with dual ISP
Video Codec	<ul style="list-style-type: none"> ● Encoding: 4K @ 30 fps, HEVC/H.264/VP8 ● Decoding: 4K @ 30 fps, HEVC/H.264/VP8/VP9 1080P @ 30 fps, MPEG-2
Audio Interfaces	<p>Audio inputs:</p> <ul style="list-style-type: none"> ● Three analog microphone inputs. MIC1/MIC2 has internal bias, MIC3 has no internal bias <p>Audio outputs:</p> <ul style="list-style-type: none"> ● Class AB stereo headphone output ● Class AB earpiece differential output ● Class K loudspeaker differential output
Audio Codec	<ul style="list-style-type: none"> ● EVRC, EVRC-B, EVRC-WB ● G.711, G.729A/AB, GSM-FR, GSM-EFR, GSM-HR ● AMR-NB, AMR-WB, AMR-eAMR, AMR-BeAMR
USB Interfaces	<ul style="list-style-type: none"> ● Complies with USB 3.1 Gen 1 or 2.0 specifications, with transmission rates up to 5 Gbps on USB 3.1 Gen 1 and 480 Mbps on USB 2.0 ● Supports USB OTG ● Supports USB 3.1 Type-C interface, compatible with USB 2.0 ● Used for data communication with external AP, AT command transmission, data transmission, GNSS NMEA sentence output, software debugging, firmware upgrade and voice over USB
DisplayPort Interface	<ul style="list-style-type: none"> ● Supports DisplayPort 1.4 interface function through USB_SS1 and USB_SS2. Supports DP standard interface only ● Supports up to 1920 × 1200 @ 60 fps ● DisplayPort cannot be used with USB 3.1 simultaneously for now
(U)SIM Interfaces	<ul style="list-style-type: none"> ● Two (U)SIM interfaces ● Supports (U)SIM card: 1.8 V, 2.95 V ● Supports dual SIM dual Standby (supported by default) ¹, Dual Active is not supported
SD Card Interfaces	<ul style="list-style-type: none"> ● Supports SD 3.0 specification ● Supports 1.8/2.95 V SD card

¹ SC668S-WF and SC696S-WF do not support dual SIM dual standby.

	<ul style="list-style-type: none"> ● Supports SD card hot-swap
UART Interfaces ²	<p>Support up to five groups of UART interfaces, three of them are default configurations, two of them are multiplexed from other interfaces:</p> <ul style="list-style-type: none"> ● Three default UART interfaces: DBG_UART, UART03 and UART00 <ul style="list-style-type: none"> – Debug UART: 2-wire UART interface, dedicated for debugging by default – UART03: 2-wire UART interface – UART00: 4-wire UART interface, RTS and CTS hardware flow control are supported, up to 4 Mbps ● Two multiplexed UART interfaces: see Table 23 for details.
SPI Interfaces ²	<p>Supports up to four groups of SPI interfaces, two of them are default configurations, and two of them are multiplexed from other interfaces:</p> <ul style="list-style-type: none"> ● Supports master mode only ● For details about two SPI interfaces that multiplexed from other interfaces, see Table 23
I2C Interfaces ²	<p>Supports up to eight groups of I2C interfaces:</p> <ul style="list-style-type: none"> ● Three dedicated I2C interfaces: used for cameras and sensors. ● Two generic I2C interfaces: used for TPs and other peripherals ● Three multiplexed I2C interfaces: see Table 23 for details
I2S Interfaces ²	<p>Support up to three groups of I2S interfaces:</p> <ul style="list-style-type: none"> ● One default I2S interface ● Two multiplexed I2S interfaces: see Table 23 for details.
ADC Interfaces	<ul style="list-style-type: none"> ● Two general-purpose ADC interfaces ● Supports up to 15-bit resolution
Real Time Clock	Supported
Bluetooth Features	<ul style="list-style-type: none"> ● Supports <i>Bluetooth Core Specification Version 5.0</i> ● Supports Bluetooth Classic & BLE
GNSS Features	GPS/GLONASS/BDS/Galileo/QZSS
Antenna Interface	Main antenna, Rx-diversity antenna, GNSS antenna and Wi-Fi/Bluetooth antenna
Transmitting Power	<ul style="list-style-type: none"> ● GSM850/EGSM900: Class 4 (33 dBm ±2 dB) ● DCS1800/PCS1900: Class 1 (30 dBm ±2 dB) ● GSM850/EGSM900 8-PSK: Class E2 (27 dBm ±3 dB) ● DCS1800/PCS1900 8-PSK: Class E2 (26 dBm ±3 dB) ● WCDMA: Class 3 (23 dBm ±2 dB) ● LTE: Class 3 (23 dBm ±2 dB)
LTE Features	<ul style="list-style-type: none"> ● Support 3GPP Rel-12 Cat 4 FDD and TDD ● Support 1.4/3/5/10/15/20 MHz RF bandwidth ● Support DL 2 × 2 MIMO Support uplink QPSK and 16QAM modulation ● Support downlink QPSK, 16QAM and 64QAM modulation

² For details about the multiplexing and conflict relationships of UART, I2C, SPI and I2S interfaces, see **Table 23**.

	<ul style="list-style-type: none"> ● LTE-FDD: Max. 150 Mbps (DL)/50 Mbps (UL) ● LTE-TDD: Max. 130 Mbps (DL)/30 Mbps (UL)
UMTS Features	<ul style="list-style-type: none"> ● Support 3GPP Rel-9 DC-HSDPA/HSPA+/HSDPA/HSUPA/WCDMA ● Supports QPSK, 16QAM and 64QAM modulation ● DC-HSDPA: Max. 42 Mbps ● HSUPA: Max. 5.76 Mbps ● WCDMA: Max. 384 kbps (DL)/384 kbps (UL)
GSM Features	<p>R99:</p> <ul style="list-style-type: none"> ● CSD transmission speed: 9.6 kbps, 14.4 kbps <p>GPRS:</p> <ul style="list-style-type: none"> ● Support GPRS multi-slot class 33 (33 by default) ● Coding scheme: CS 1–4 ● Max. 107 kbps (DL), 85.6 kbps (UL) <p>EDGE:</p> <ul style="list-style-type: none"> ● Support EDGE multi-slot class 33 (33 by default) ● Support GMSK and 8-PSK for different MCS (Modulation and Coding Scheme) ● Downlink coding schemes: MCS 1–9 ● Uplink coding schemes: MCS 1–9 ● Max. 296 kbps (DL), 236.8 kbps (UL)
WLAN Features	<ul style="list-style-type: none"> ● Support AP and STA modes ● 2.4 GHz; 5 GHz, 802.11a/b/g/n/ac, maximally up to 433 Mbps
Temperature Range	<ul style="list-style-type: none"> ● Operating Temperature Range ³: -35 °C to +75 °C ● Storage temperature range: -40 °C to +90 °C
Firmware Upgrade	Use USB interface or OTA to upgrade
RoHS	All hardware components are fully compliant with EU RoHS directive

2.3. Pin Assignment

The following figure shows the pin assignment of the module.

³ Within the operating temperature range, the module meets 3GPP specifications.

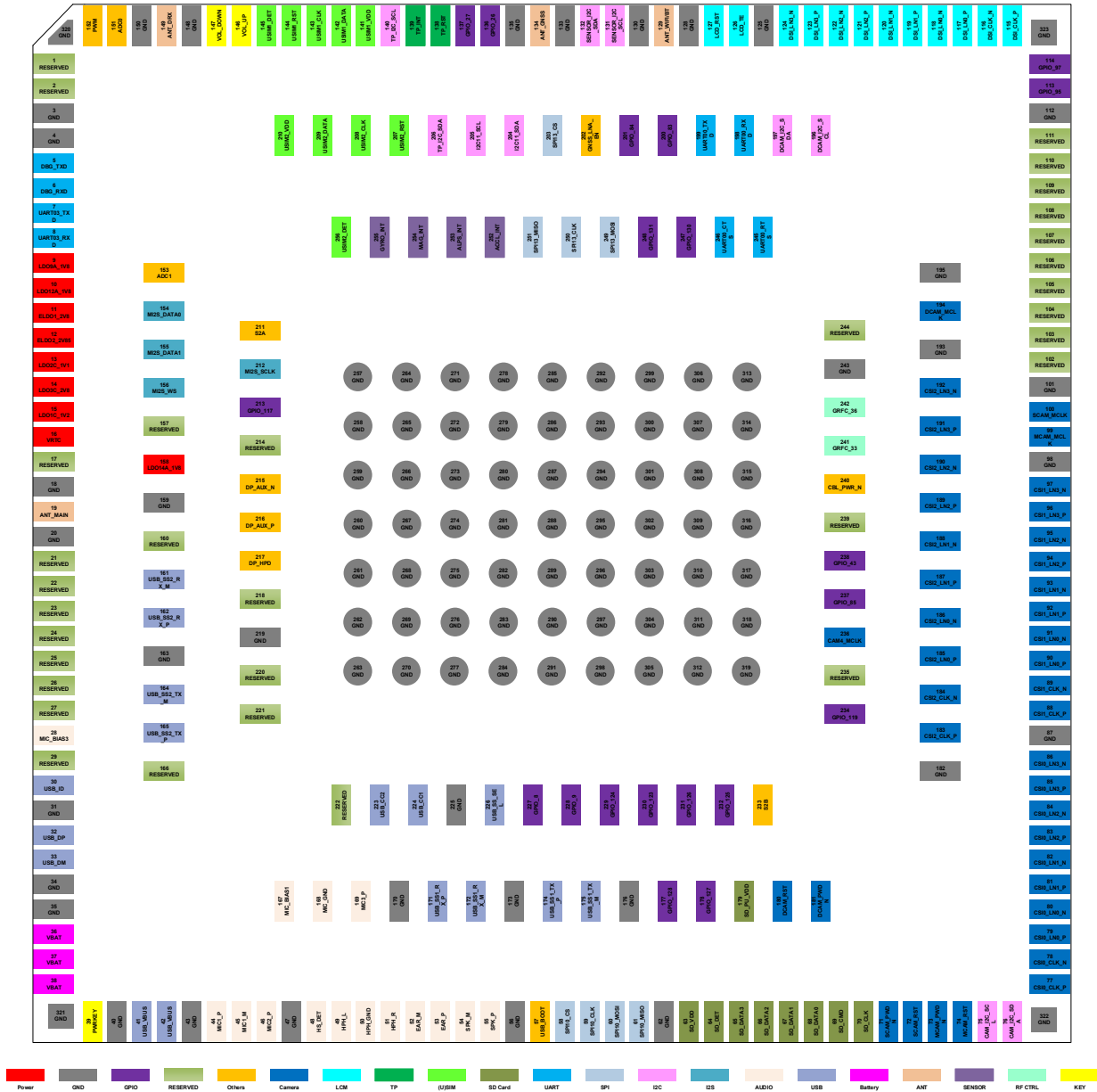


Figure 1: Pin Assignment

NOTE

1. Keep all RESERVED pins and unused pins unconnected.
2. All GND pins should be connected to the ground.

2.4. Pin Description

Table 5: Definition of I/O Parameters

Type	Description
AI	Analog Input
AO	Analog Output
AIO	Analog Input/Output
DI	Digital Input
DO	Digital Output
DIO	Digital Input/Output
OD	Open Drain
PI	Power Input
PO	Power Output
PIO	Power Input/Output

Table 6: Pin Description

Power Supply Pins					
Pin Name	Pin No.	I/O	Description	DC Characteristics	Comment
VBAT	36–38	PI	Power supply for the module	$V_{max} = 4.4\text{ V}$ $V_{min} = 3.55\text{ V}$ $V_{nom} = 3.8\text{ V}$	Provide sufficient current up to 3 A. It is suggested to add a TVS for surge protection.
LDO9A_1V8	9	PO	1.8 V output (Power supply for external I/O pull up circuits and level-shifting circuit)	$V_{nom} = 1.8\text{ V}$ $I_{omax} = 20\text{ mA}$	Cannot be used for peripheral equipment. External capacitor is not required.
LDO12A_1V8	10	PO	1.8 V output (Power supply for I/O of cameras, LCM and sensors)	$V_{nom} = 1.8\text{ V}$ $I_{omax} = 300\text{ mA}$	Add a 1.0–4.7 μF bypass capacitor if used. Total capacitance cannot exceed 9 μF . If not used, keep it open.

LDO14A_1V8	158	PO	1.8 V output (Power supply for external Codec)	V _{nom} = 1.8 V I _o max = 600 mA	Add a 1.0–4.7 μF bypass capacitor if used. Total capacitance cannot exceed 18.8 μF. If not used, keep it open.
ELDO1_2V8	11	PO	2.8 V output (Power supply for external sensor and touch panel)	V _{nom} = 2.8 V I _o max = 300 mA	Add a 1.0–4.7 μF bypass capacitor if used. Total capacitance cannot exceed 9 μF. If not used, keep these pins open.
ELDO2_2V85	12	PO	2.85 V output (Power supply for LCM and camera's AFVDD)	V _{nom} = 2.85 V I _o max = 300 mA	Add a 1.0–4.7 μF bypass capacitor if used. Total capacitance cannot exceed 15.3 μF. If not used, keep these pins open. Power supply only for cameras.
LDO1C_1V2	15	PO	1.2 V output (Power supply for DVDD of front cameras)	V _{nom} = 1.2 V I _o max = 800 mA	Add a 1.0–4.7 μF bypass capacitor if used. Total capacitance cannot exceed 47.8 μF. If not used, keep it open. Power supply only for cameras.
LDO2C_1V1	13	PO	1.1 V output (Power supply for DVDD of rear cameras)	V _{nom} = 1.1 V I _o max = 800 mA	
LDO3C_2V8	14	PO	2.8 V output (Power supply for AVDD of cameras)	V _{nom} = 2.8 V I _o max = 300 mA	
VRTC	16	PIO	Power supply for RTC	V _O max = 3.2 V When there is no VBAT connection: V _{min} = 2.1 V V _{max} = 3.25 V V _{nom} = 3.0 V	

GND	3, 4, 18, 20, 31, 34, 35, 40, 43, 47, 56, 62, 87, 98, 101, 112, 125, 128, 130, 133, 135, 148, 150, 159, 163, 170, 173, 176, 182, 193, 195, 219, 225, 243, 257–323
-----	---

Keypad Interfaces

Pin Name	Pin No.	I/O	Description	DC Characteristics	Comment
PWRKEY	39	DI	Turn on/off the module		
VOL_UP	146	DI	Volume up	1.8 V	
VOL_DOWN	147	DI	Volume down		

USB Interfaces

Pin Name	Pin No.	I/O	Description	DC Characteristics	Comment
USB_VBUS	41, 42	AI	USB insertion interruption detect	Vmax = 6.0 V Vmin = 4.0 V Vnom = 5.0 V	A test point must be reserved.
USB_DP	32	AIO	USB 2.0 differential data (+)		USB 2.0 standard compliant. 90 Ω differential impedance.
USB_DM	33	AIO	USB 2.0 differential data (-)		Test points must be reserved.
USB_SS1_RX_P	171	AI	USB 3.1 channel 1 super-speed receive (+)		USB 3.1 Gen 1 compliant. 90 Ω differential impedance.
USB_SS1_RX_M	172	AI	USB 3.1 channel 1 super-speed receive (-)		USB Type-C (USB 3.1) interface uses USB_SS1 by default.
USB_SS1_TX_P	174	AO	USB 3.1 channel 1 super-speed transmit (+)		Insert front and back sides of USB through external switch.
USB_SS1_TX_M	175	AO	USB 3.1 channel 1 super-speed transmit (-)		Use USB_SS1 and USB_SS2 to achieve functions of DisplayPort 1.4 interface.
USB_SS2_RX_P	162	AI	USB 3.1 channel 2 super-speed receive (+)		USB 3.1 Gen 1 compliant. 90 Ω differential impedance.
USB_SS2_RX_M	161	AI	USB 3.1 channel 2 super-speed receive		Use USB_SS1 and

			(-)			USB_SS2 to achieve functions of DisplayPort 1.4 interface.
USB_SS2_TX_P	165	AO	USB 3.1 channel 2 super-speed transmit (+)			
USB_SS2_TX_M	164	AO	USB 3.1 channel 2 super-speed transmit (-)			
USB_CC1	224	AIO	USB Type-C detect 1			
USB_CC2	223	AIO	USB Type-C detect 2			
USB_SS_SEL	226	DO	USB Type-C switch control			
USB_ID	30	DO	USB 3.1 ID indication signal	1.8 V		USB Type-C interface USB ID status indicates output. High level by default.
GPIO_130	247	DI	USB ID interruption detect			Internal pull up by default.

(U)SIM Interfaces

Pin Name	Pin No.	I/O	Description	DC Characteristics	Comment
USIM1_VDD	141	PO	(U)SIM1 card power supply	I _o max = 150 mA 1.8 V (U)SIM: V _{max} = 1.9 V V _{min} = 1.7 V 2.95 V (U)SIM: V _{max} = 3.03 V V _{min} = 2.7 V	Can recognize 1.8 V or 2.95 V (U) SIM card automatically. External capacitance shall not exceed 4 μF.
USIM1_DATA	142	DIO	(U)SIM1 card data		Pull it up to USIM1_VDD with an external 10 kΩ resistor. Cannot be multiplexed into a generic GPIO.
USIM1_CLK	143	DO	(U)SIM1 card clock	1.8/2.95 V	Cannot be multiplexed into a generic GPIO.
USIM1_RST	144	DO	(U)SIM1 card reset		
USIM1_DET	145	DI	(U)SIM1 card hot-swap detect		Require external pull-up to LDO9A_1V8. Active low. If unused, keep this pin open. This function is

					disabled by default. Cannot be multiplexed into a generic GPIO.
USIM2_VDD	210	PO	(U)SIM2 card power supply	<p>$I_{Omax} = 150 \text{ mA}$</p> <p>1.8 V (U)SIM: $V_{max} = 1.9 \text{ V}$ $V_{min} = 1.7 \text{ V}$</p> <p>2.95 V (U)SIM: $V_{max} = 3.03 \text{ V}$ $V_{min} = 2.7 \text{ V}$</p>	<p>Either 1.8 V or 2.95 V (U)SIM card is supported.</p> <p>External capacitance shall not exceed 4 μF.</p>
USIM2_DATA	209	DIO	(U)SIM2 card data		Pull it up to USIM2_VDD with an external 10 k Ω resistor. Cannot be multiplexed into a generic GPIO.
USIM2_CLK	208	DO	(U)SIM2 card clock		Cannot be multiplexed into a generic GPIO.
USIM2_RST	207	DO	(U)SIM2 card reset	1.8/2.95 V	
USIM2_DET	256	DI	(U)SIM2 card detect		<p>Require external pull-up to LDO9A_1V8. Active low.</p> <p>If unused, keep this pin open. This function is disabled by default. Cannot be multiplexed into a generic GPIO.</p>

SD Card Interfaces

Pin Name	Pin No.	I/O	Description	DC Characteristics	Comment
SD_CLK	70	DO	SD card clock		
SD_CMD	69	DIO	SD card command		
SD_DATA0	68	DIO	SDIO data bit 0	1.8/2.95 V	Control characteristic impedance as 50 Ω .
SD_DATA1	67	DIO	SDIO data bit 1		
SD_DATA2	66	DIO	SDIO data bit 2		
SD_DATA3	65	DIO	SDIO data bit 3		
SD_DET	64	DI	SD card hot-swap detect		Active low. Require external pull-up to LDO9A_1V8.

SD_VDD	63	PO	SD card power supply	Vnom = 1.8/2.95 V Iomax = 600 mA	External capacitance shall not exceed 13.5 μ F.
SD_PU_VDD	179	PO	SD card pull-up power supply: 1.8 V/2.95 V output	Vnom = 1.8/2.95 V Iomax = 50 mA	Only for SD card pull-up circuits. External capacitance shall not exceed 4 μ F.

UART Interfaces

Pin Name	Pin No.	I/O	Description	DC Characteristics	Comment
DBG_TXD	5	DO	Debug UART transmit		If not used, keep these pins open. Test points must be reserved.
DBG_RXD	6	DI	Debug UART receive		
UART03_TXD	7	DO	UART03 transmit		If not used, keep these pins open.
UART03_RXD	8	DI	UART03 receive		
UART00_TXD	199	DO	UART00 transmit	1.8 V	If not used, keep these pins open. When UART00_RTS and UART00_CTS are multiplexed into I2C, UART00_TXD and UART00_RXD can only be used as generic GPIOs.
UART00_RXD	198	DI	UART00 receive		
UART00_RTS	245	DO	Request to send signal from the module		
UART00_CTS	246	DI	Clear to send signal to the module		

I2C Interfaces

Pin Name	Pin No.	I/O	Description	DC Characteristics	Comment
I2C11_SCL	205	OD	I2C serial clock	1.8 V	External pull-up resistor is required.
I2C11_SDA	204	OD	I2C serial data		

SPI Interface

Pin Name	Pin No.	I/O	Description	DC Characteristics	Comment
SPI10_CS	58	DO	SPI10 chip select		Support master mode only.
SPI10_CLK	59	DO	SPI10 clock	1.8 V	
SPI10_MOSI	60	DO	SPI10 master-out slave-in		

SPI10_MISO	61	DI	SPI10 master-in slave-out
SPI13_CS	203	DO	SPI13 chip select
SPI13_CLK	250	DO	SPI13 clock
SPI13_MOSI	249	DO	SPI13 master-out slave-in
SPI13_MISO	251	DI	SPI13 master-in slave-out

I2S Interface

Pin Name	Pin No.	I/O	Description	DC Characteristics	Comment
MI2S_DATA1	155	DIO	I2S data channel 1	1.8 V	
MI2S_DATA0	154	DIO	I2S data channel 0		
MI2S_WS	156	DO	I2S word select		
MI2S_SCLK	212	DO	I2S serial clock		

LCM Interface

Pin Name	Pin No.	I/O	Description	DC Characteristics	Comment
DSI_CLK_P	115	AO	LCD MIPI clock (+)		
DSI_CLK_N	116	AO	LCD MIPI clock (-)		
DSI_LN0_P	117	AO	LCD MIPI lane 0 data (+)		Require differential impedance of 100 Ω.
DSI_LN0_N	118	AO	LCD MIPI lane 0 data (-)		
DSI_LN1_P	119	AO	LCD MIPI lane 1 data (+)		
DSI_LN1_N	120	AO	LCD MIPI lane 1 data (-)		
DSI_LN2_P	121	AO	LCD MIPI lane 2 data (+)		
DSI_LN2_N	122	AO	LCD MIPI lane 2 data (-)		
DSI_LN3_P	123	AO	LCD MIPI lane 3 data (+)		
DSI_LN3_N	124	AO	LCD MIPI lane 3 data (-)		

LCD_TE	126	DI	LCD tearing effect	1.8 V	External pull-up is not required.
LCD_RST	127	DO	LCD reset		
PWM	152	DO	PWM output	Voltage shall be the same as VBAT.	Cannot be multiplexed into a generic GPIO.

Touch Panel Interface

Pin Name	Pin No.	I/O	Description	DC Characteristics	Comment
TP_RST	138	DO	TP reset	1.8 V	Cannot be pulled up during the module's turning-on process.
TP_INT	139	DI	TP interrupt		
TP_I2C_SCL	140	OD	TP I2C clock		Used for touch panel. External pull-up is required.
TP_I2C_SDA	206	OD	TP I2C data		

Camera Interfaces

Pin Name	Pin No.	I/O	Description	DC Characteristics	Comment	
CSI0_CLK_P	77	AI	MIPI CSI0 clock (+)		Require differential impedance of 100 Ω. Used for front camera by default.	
CSI0_CLK_N	78	AI	MIPI CSI0 clock (-)			
CSI0_LN0_P	79	AI	MIPI CSI0 lane 0 data (+)			
CSI0_LN0_N	80	AI	MIPI CSI0 lane 0 data (-)			
CSI0_LN1_P	81	AI	MIPI CSI0 lane 1 data (+)			
CSI0_LN1_N	82	AI	MIPI CSI0 lane 1 data (-)			
CSI0_LN2_P	83	AI	MIPI CSI0 lane 2 data (+)			
CSI0_LN2_N	84	AI	MIPI CSI0 lane 2 data (-)			
CSI0_LN3_P	85	AI	MIPI CSI0 lane 3 data (+)			
CSI0_LN3_N	86	AI	MIPI CSI0 lane 3 data (-)			
CSI1_CLK_P	88	AI	MIPI CSI1 clock (+)			Require differential

CSI1_CLK_N	89	AI	MIPI CSI1 clock (-)	impedance of 100 Ω. Used for rear camera by default.	
CSI1_LN0_P	90	AI	MIPI CSI1 lane 0 data (+)		
CSI1_LN0_N	91	AI	MIPI CSI1 lane 0 data (-)		
CSI1_LN1_P	92	AI	MIPI CSI1 lane 1 data (+)		
CSI1_LN1_N	93	AI	MIPI CSI1 lane 1 data (-)		
CSI1_LN2_P	94	AI	MIPI CSI1 lane 2 data (+)		
CSI1_LN2_N	95	AI	MIPI CSI1 lane 2 data (-)		
CSI1_LN3_P	96	AI	MIPI CSI1 lane 3 data (+)		
CSI1_LN3_N	97	AI	MIPI CSI1 lane 3 data (-)		
CSI2_CLK_P	183	AI	MIPI CSI2 clock (+)		Require differential impedance of 100 Ω. Used for depth camera by default.
CSI2_CLK_N	184	AI	MIPI CSI2 clock (-)		
CSI2_LN0_P	185	AI	MIPI CSI2 lane 0 data (+)		
CSI2_LN0_N	186	AI	MIPI CSI2 lane 0 data (-)		
CSI2_LN1_P	187	AI	MIPI CSI2 lane 1 data (+)		
CSI2_LN1_N	188	AI	MIPI CSI2 lane 1 data (-)		
CSI2_LN2_P	189	AI	MIPI CSI2 lane 2 data (+)	Require differential impedance of 100 Ω. Used for depth camera by default. Can be multiplexed into the 4 th camera's MIPI data (+).	
CSI2_LN2_N	190	AI	MIPI CSI2 lane 2 data (-)	Require differential impedance of 100 Ω. Used for depth camera by default. Can be multiplexed into the 4 th camera's MIPI data (-).	

CSI2_LN3_P	191	AI	MIPI CSI2 lane 3 data (+)	Require differential impedance of 100 Ω. Used for depth camera by default. Can be multiplexed into the 4 th camera's MIPI clock (+).	
CSI2_LN3_N	192	AI	MIPI CSI2 lane 3 data (-)	Require differential impedance of 100 Ω. Used for depth camera by default. Can be multiplexed into the 4 th camera's MIPI clock (-).	
MCAM_MCLK	99	DO	Master clock of rear camera	1.8 V	
SCAM_MCLK	100	DO	Master clock of front camera		
DCAM_MCLK	194	DO	Master clock of depth camera		
CAM4_MCLK	236	DO	Master clock of the 4 th camera		
MCAM_RST	74	DO	Reset of rear camera		
SCAM_RST	72	DO	Reset of front camera		
DCAM_RST	180	DO	Reset of depth camera		
MCAM_PWDN	73	DO	Power down of rear camera		
SCAM_PWDN	71	DO	Power down of front camera		
DCAM_PWDN	181	DO	Power down of depth camera		
CAM_I2C_SCL	75	OD	I2C clock of front and rear camera		External pull-up is required. Dedicated for camera. Cannot be multiplexed into a generic GPIO.
CAM_I2C_SDA	76	OD	I2C data of front and rear camera		
DCAM_I2C_SCL	196	OD	I2C clock of depth camera		
DCAM_I2C_SDA	197	OD	I2C data of depth camera		

Audio Interfaces

Pin Name	Pin No.	I/O	Description	DC Characteristics	Comment
MIC1_P	44	AI	Microphone input for channel 1 (+)		
MIC1_M	45	AI	Microphone input for channel 1 (-)		Integrated with internal bias voltage
MIC2_P	46	AI	Microphone input for headset (+)		
MIC3_P	169	AI	Microphone input for headset (+)		Integrated without internal bias voltage
MIC_GND	168		Microphone reference ground		If not used, connect it to ground.
MIC_BIAS1	167	AO	Bias voltage 1 output for microphone	V _{omin} = 1.0 V V _{omax} = 2.85 V	
MIC_BIAS3	28	AO	Bias voltage 3 output for microphone		
HS_DET	48	AI	Headset hot-swap detect		Cannot be externally pulled up.
HPH_L	49	AO	Headphone left channel output		
HPH_GND	50		Headphone reference ground		If not used, connect it to ground.
HPH_R	51	AO	Headphone right channel output		
EAR_M	52	AO	Earpiece output (-)		
EAR_P	53	AO	Earpiece output (+)		
SPK_M	54	AO	Loudspeaker output (-)		
SPK_P	55	AO	Loudspeaker output (+)		
Sensor Interfaces					
Pin Name	Pin No.	I/O	Description	DC Characteristics	Comment
ALPS_INT	253	DI	Light/Proximity sensor interrupt	1.8 V	1.8 V power domain. Can be multiplexed into a generic GPIO.
ACCL_INT	252	DI	Acceleration sensor interrupt		
GYRO_INT	255	DI	Gyroscope sensor interrupt		

MAG_INT	254	DI	Geomagnetic sensor interrupt		
SENSOR_I2C_SCL	131	OD	I2C clock for external sensor		Dedicated for external sensor. Cannot be used for touch panel, NFC, I2C keyboard, etc.
SENSOR_I2C_SDA	132	OD	I2C data for external sensor		Cannot be multiplexed into a generic GPIO.

GPIO Interfaces

Pin Name	Pin No.	I/O	Description	DC Characteristics	Comment
GPIO_8	227	DIO			
GPIO_9	228	DIO			
GPIO_26	136	DIO			
GPIO_27	137	DIO			Support wakeup interrupt.
GPIO_43	238	DIO			
GPIO_83	200	DIO			
GPIO_84	201	DIO			
GPIO_85	237	DIO			
GPIO_95	113	DIO	General-purpose input/output	1.8 V	Support wakeup interrupt.
GPIO_97	114	DIO			
GPIO_117	213	DIO			
GPIO_119	234	DIO			
GPIO_123	230	DIO			Support wakeup interrupt.
GPIO_124	229	DIO			
GPIO_125	232	DIO			
GPIO_126	231	DIO			Support wakeup interrupt.
GPIO_127	178	DIO			
GPIO_128	177	DIO			Support wakeup

GPIO_130	247	DIO			interrupt.
GPIO_131	248	DIO			

RF Antenna Interface

Pin Name	Pin No.	I/O	Description	DC Characteristics	Comment
ANT_MAIN	19	AIO	Main antenna interface		
ANT_DRX	149	AI	Rx-diversity antenna interface		50 Ω characteristic impedance.
ANT_GNSS	134	AI	GNSS antenna interface		
ANT_WIFI/BT	129	AIO	Wi-Fi/Bluetooth antenna interface		

Antenna Tuner Control Interfaces

Pin Name	Pin No.	I/O	Description	DC Characteristics	Comment
GRFC_36	242	DIO	Generic RF controller	1.8 V	Only used for RF debugging, cannot be multiplexed into a generic GPIO. Cannot be pulled up during module's turning-on process.
GRFC_33	241	DIO			Only used for RF debugging, cannot be multiplexed into a generic GPIO.

ADC Interface

Pin Name	Pin No.	I/O	Description	DC Characteristics	Comment
ADC0	151	AI	General-purpose ADC interface		1.8 V power domain.
ADC1	153	AI			

Other Interfaces

Pin Name	Pin No.	I/O	Description	DC Characteristics	Comment
CBL_PWR_N	240	DI	Initiate turning-on when grounded	1.8 V	The module cannot be turned off when this pin is pulled down.

USB_BOOT	57	DI	Force the module into emergency download mode		Force the module to enter emergency download mode by pulling this pin up to LDO9A_1V8 during turning-on. A test point is recommended to be reserved.
GNSS_LNA_EN	202	DO	GNSS LNA enable control		Only for internal test, cannot be multiplexed into a generic GPIO. If not used, keep this pin open.
S2A	211	-	S2A and S2B are directly connected		
S2B	233	-	inside the module		
DP_AUX_P	216	AIO	DP auxiliary channel (+)		
DP_AUX_N	215	AIO	DP auxiliary channel (-)		
DP_HPDP	217	DI	DP hot-swap detection	1.8 V	Cannot be externally pulled up.
RESERVED					
Pin Name	Pin No.				Comment
RESERVED	1, 2, 17, 21–27, 29, 102–111, 157, 160, 166, 214, 218, 220–222, 235, 239, 244				Keep these pins open.

NOTE

For more details about module's multiplexing functions, see *document [1]*.

3

3 Operating Characteristics

3.1. Power Supply

3.1.1. Power Supply Pins

The module provides three VBAT pins, which are dedicated for connection with external power supply. Power supply range of the module is from 3.55 V to 4.4 V and the recommended value is 3.8 V.

Table 7: Pin Definition of Power Supply

Pin Name	Pin No.	I/O	Description	Comment
VBAT	36–38	PI	Power supply for the module	Provide sufficient current up to 3 A. It is suggested to add a TVS for surge protection.

3.1.2. Reference Design for Power Supply

The power design for the module is very important, as the performance of the module largely depends on the power source. The power supply of the module should be able to provide sufficient current of 3 A at least. If the voltage drops between input and output is not too high, it is suggested to use an LDO in the power system design. If there is a big voltage difference between the input source and the desired output (VBAT), a buck converter is preferred to be used as the power supply.

The following figure illustrates a reference design for +5 V input power source.

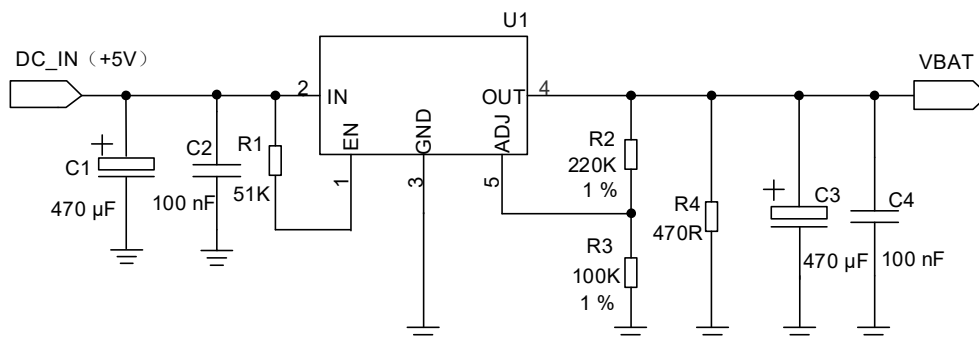


Figure 2: Reference Design of Power Supply

NOTE

It is recommended to switch off the power supply when the module is in abnormal state to turn off the module, and then switch on the power supply to restart the module.

3.1.3. Voltage Stability Requirements

The power supply range of the module is from 3.55 V to 4.4 V, and the recommended value is 3.8 V. The power supply performance, such as load capacity, voltage ripple, directly influences the module's performance and stability. Under ultimate conditions, the module may have a transient peak current of up to 3 A. If the power supply capability is not sufficient, there will be voltage drops, and if the voltage drops below 3.3 V, the module will be turned off automatically. Therefore, make sure the input voltage never drops below 3.3 V.

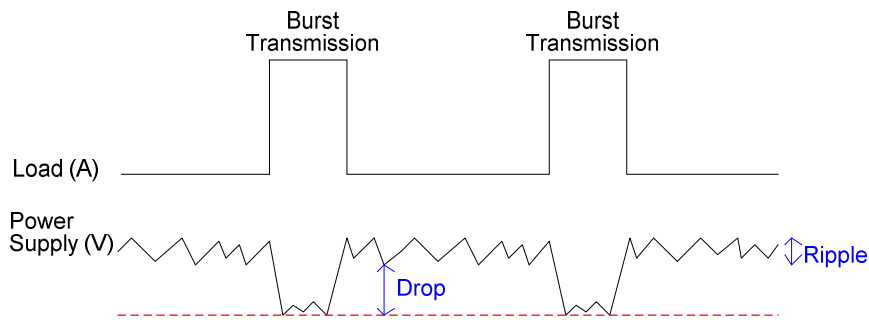


Figure 3: Voltage Drop Sample

To prevent the voltage from dropping below 3.3 V, it is recommended to connect a 100 μ F bypass capacitor with low ESR ($ESR \leq 0.7 \Omega$) as well as 100 nF, 33 pF and 10 pF filter capacitors. Additionally, add a 4.7 μ F capacitor in parallel close to VBAT pins. It is also recommended that the PCB traces of VBAT should be as short as possible and wide enough to reduce the equivalent impedance of the VBAT traces and ensure that there will be no large voltage drop under high current at the maximum transmission power.

The width of VBAT trace should be not less than 3 mm. In principle, the longer the VBAT trace is, the wider it should be.

In addition, to get a stable power supply source, it is suggested to use a TVS and place it as close to the VBAT pins as possible to enhance surge protection. The following figure shows the structure of the power supply.

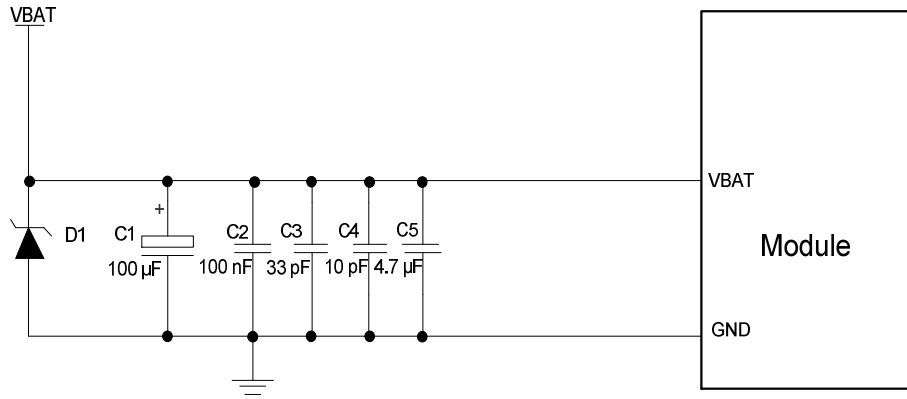


Figure 4: Structure of Power Supply

3.2. Turn On

3.2.1. Turn On with PWRKEY

Table 8: Pin Definition of PWRKEY

Pin Name	Pin No.	I/O	Description	Comment
PWRKEY	39	DI	Turn on/off the module	1.8 V power domain.

The module can be turned on by driving the PWRKEY pin low for at least 1.6 s. PWRKEY is pulled up to 1.8 V internally.

It is recommended to use an open collector driver to control the PWRKEY. A simple reference circuit is illustrated in the following figure.

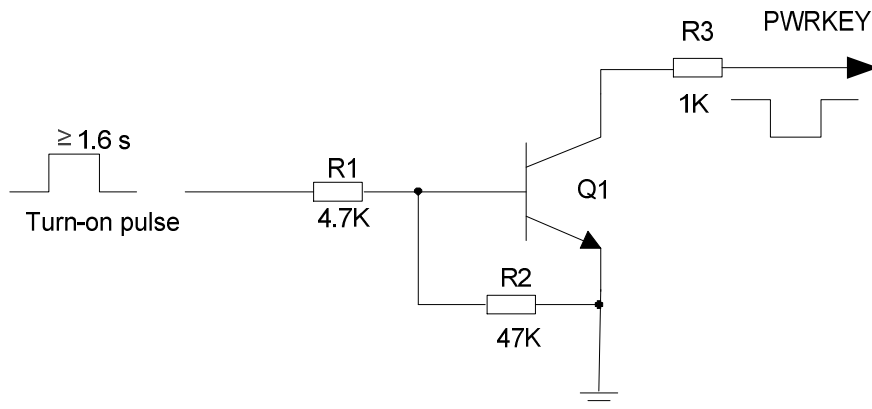


Figure 5: Turn On the Module Using Driving Circuit

Another way to control PWRKEY is by using a button directly. You must place a TVS component nearby the button and add a 1 kΩ resistor in series for ESD protection. A reference circuit is shown in the following figure.

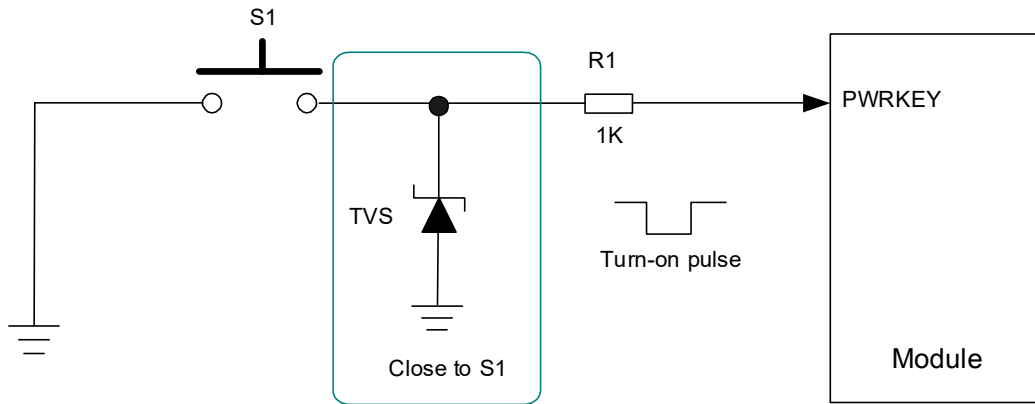


Figure 6: Turn On the Module Using Button

The turn-on scenario is illustrated in the following figure.

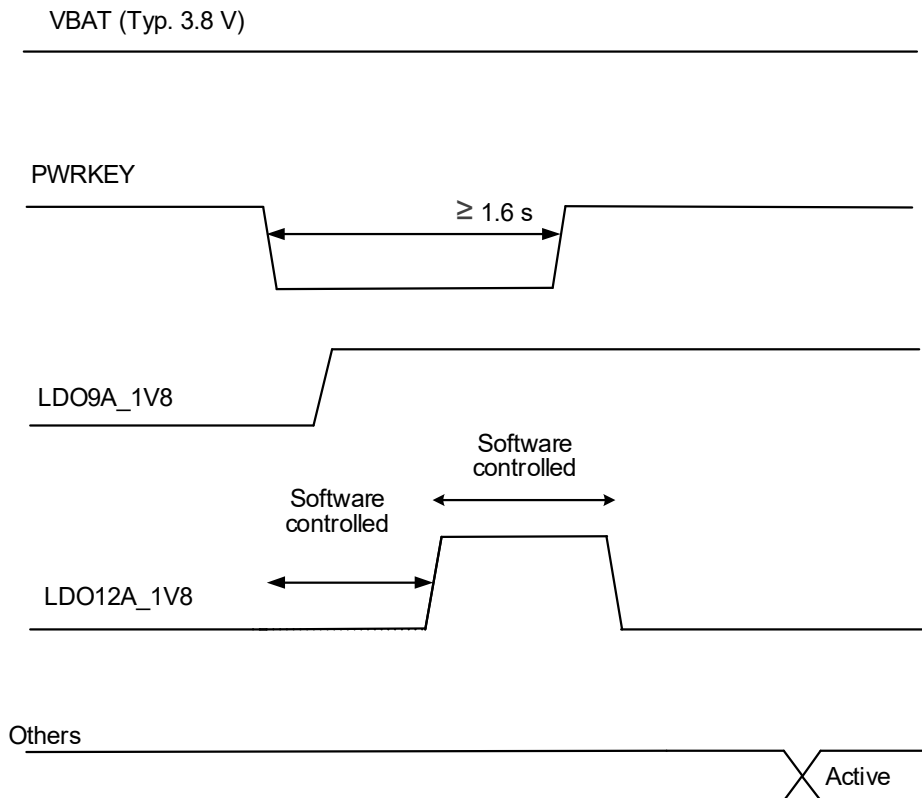


Figure 7: Turn-on Timing

NOTE

1. When the module is turned on for the first time, the timing may be different from that shown above.
2. Ensure the voltage of VBAT is stable before driving the PWRKEY low. It is recommended to drive PWRKEY low after VBAT reaches 3.8 V and remains stable for 30 ms. PWRKEY cannot be driven low all the time.
3. Note that USB_VBUS cannot trigger the module to start.

3.2.2. Turn On the Module Automatically

Table 9: Pin Definition of CBL_PWR_N

Pin Name	Pin No.	I/O	Description	Comment
CBL_PWR_N	240	DI	Initiate turning-on when grounded	1.8 V power domain. The module cannot be turned off when this pin is pulled down.

The module can be turned on automatically through CBL_PWR_N:

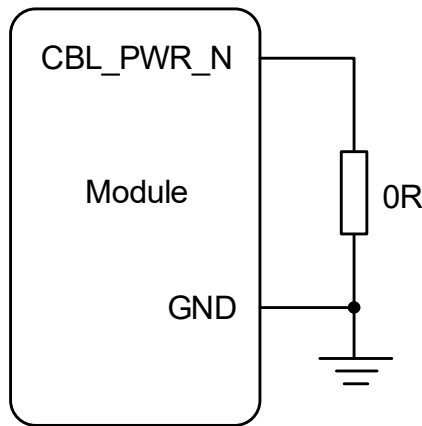


Figure 8: Turn On the Module Automatically

NOTE

If the module turns on automatically through CBL_PWR_N pin, it cannot be turned off manually. In such case, it can be turned off only by cutting off the power supply of system.

3.3. Turn Off/Restart

The module can be turned off by driving the PWRKEY pin low for at least 1 s. Choose whether to turn off the module when the prompt window comes up.

The other way to turn off the module is to drive PWRKEY low for at least 10 s. The module will execute the forced shut-down. The forced power-down scenario is illustrated in the following figure.

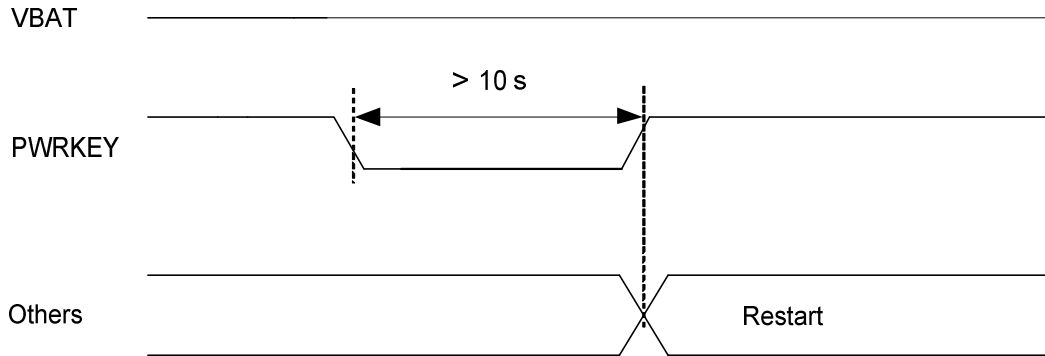


Figure 9: Power-down Timing

3.4. VRTC

Table 10: Pin Definition of VRTC

Pin Name	Pin No.	I/O	Description
VRTC	16	PIO	Power supply for RTC

The RTC of the module can be powered by an external power supply pin VRTC. When VBAT is disconnected and you need to reserve RTC function, then VRTC cannot be kept unconnected. The RTC can be powered by an external power source when the module is powered down and there is no power supply for the VBAT. The power source can be an external battery or capacitor according to application demands. The following are some reference circuit designs when an external battery or capacitor is utilized for powering RTC.

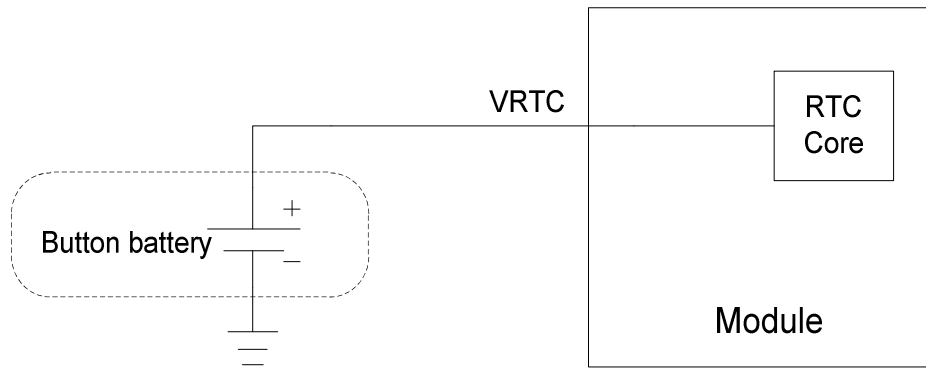


Figure 10: RTC Powered by a Rechargeable Cell Battery

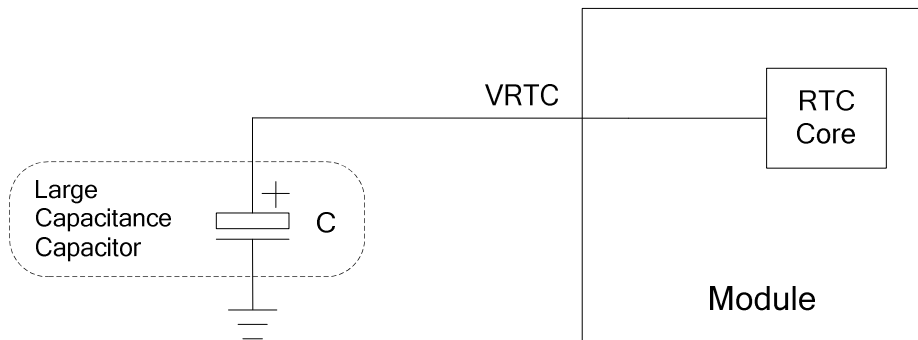


Figure 11: RTC Powered by Capacitor

- If RTC fails, the module can synchronize time over the network after being powered up.
- The recommended input voltage range for VRTC is 2.1–3.25 V and the recommended typical value is 3.0 V.
- When powered by VBAT, the RTC error is 50 ppm. When powered by VRTC, the RTC error is about 200 ppm.
- If a rechargeable battery is used, ESR of the battery should be less than 2 kΩ.
- If you do not need RTC function, a 4.7 μF capacitor need to be connected to VRTC.

3.5. Power Output

The module supports output of regulated voltages for peripheral circuits. During application, it is recommended to connect a 33 pF capacitor and a 10 pF capacitor in parallel in the circuit to suppress high-frequency noise.

Table 11: Power Description

Pin Name	Default Voltage (V)	Driving Current (mA)	@ Idle State
LDO9A_1V8	1.8	20	Keeps ON
LDO12A_1V8	1.8	300	-
LDO14A_1V8	1.8	600	-
ELDO1_2V8	2.8	300	-
ELDO2_2V85	2.85	300	-
LDO2C_1V1	1.1	800	-
LDO3C_2V8	2.8	300	-
LDO1C_1V2	1.2	800	-
USIM1_VDD	1.8/2.95	150	-
USIM2_VDD	1.8/2.95	150	-
SD_VDD	1.8/2.95	600	-
SD_PU_VDD	1.8/2.95	50	-

4 Application Interfaces

4.1. USB Interface

The module provides one USB interface which complies with USB 3.1 Gen 1 and USB 2.0 specifications and supports USB OTG. It supports USB Type-C interface, DisplayPort mode and Micro USB interface. It also supports SuperSpeed mode (5 Gbps) for USB 3.1 Gen 1, high-speed (480 Mbps) and full-speed (12 Mbps) modes for USB 2.0. The USB interface is used for data communication with external AP, AT command transmission, data transmission, GNSS NMEA sentence output, software debugging, firmware upgrade and voice over USB.

4.1.1. USB Type-C Mode

The following table shows the pin definition of USB Type-C interface.

Table 12: Pin Definition of USB Type-C Interface

Pin Name	Pin No.	I/O	Description	Comment
USB_VBUS	41, 42	AI	USB insertion interruption detect	A test point must be reserved.
USB_DP	32	AIO	USB 2.0 differential data (+)	USB 2.0 standard compliant. 90 Ω differential impedance.
USB_DM	33	AIO	USB 2.0 differential data (-)	Test points must be reserved.
USB_SS1_RX_P	171	AI	USB 3.1 channel 1 super-speed receive (+)	USB 3.1 Gen 1 compliant. 90 Ω differential impedance.
USB_SS1_RX_M	172	AI	USB 3.1 channel 1 super-speed receive (-)	USB Type-C (USB 3.1) interface use USB_SS1 by default. Insert front and back sides of USB through external switch.
USB_SS1_TX_P	174	AO	USB 3.1 channel 1 super-speed transmit (+)	Use USB_SS1 and USB_SS2 to achieve functions of DisplayPort 1.4 interface.
USB_SS1_TX_M	175	AO	USB 3.1 channel 1 super-speed transmit (-)	

USB_SS2_RX_P	162	AI	USB 3.1 channel 2 super-speed receive (+)	USB 3.1 Gen 1 compliant. 90 Ω differential impedance. Use USB_SS1 and USB_SS2 to achieve functions of DisplayPort 1.4 interface.
USB_SS2_RX_M	161	AI	USB 3.1 channel 2 super-speed receive (-)	
USB_SS2_TX_P	165	AO	USB 3.1 channel 2 super-speed transmit (+)	
USB_SS2_TX_M	164	AO	USB 3.1 channel 2 super-speed transmit (-)	
USB_CC1	224	AIO	USB Type-C detect 1	
USB_CC2	223	AIO	USB Type-C detect 2	
USB_SS_SEL	226	DO	USB Type-C switch control	
USB_ID	30	DO	USB 3.1 ID indication signal	USB Type-C interface USB ID status indicates output. High level by default.
GPIO_130	247	DI	USB ID interruption detect	Internal pull up by default.

NOTE

1. DisplayPort 1.4 interface is realized by using USB_SS1 and USB_SS2. For details, please see **document [3]**.
2. Master/Slave detection of USB Type-C (USB 3.1 Gen 1) interface is achieved by USB_CC1 or USB_CC2. USB_CC1 or USB_CC2 will control USB_ID and then notice GPIO_130 by USB_ID. When the inserted USB Type-C device is in slave mode, USB_ID will output low voltage level to pull GPIO_130 down and then notice the module to enter master mode. If OTG function is not needed, then USB_ID can be kept open.
3. USB Type-C (USB 3.1 Gen 1) interface uses USB_SS1 by default. Reverse insertion of USB can be achieved through external switch. Meanwhile, USB_SS1 and USB_SS2 can also help to achieve reverse insertion of USB. For details, please contact Quectel Technical Support.

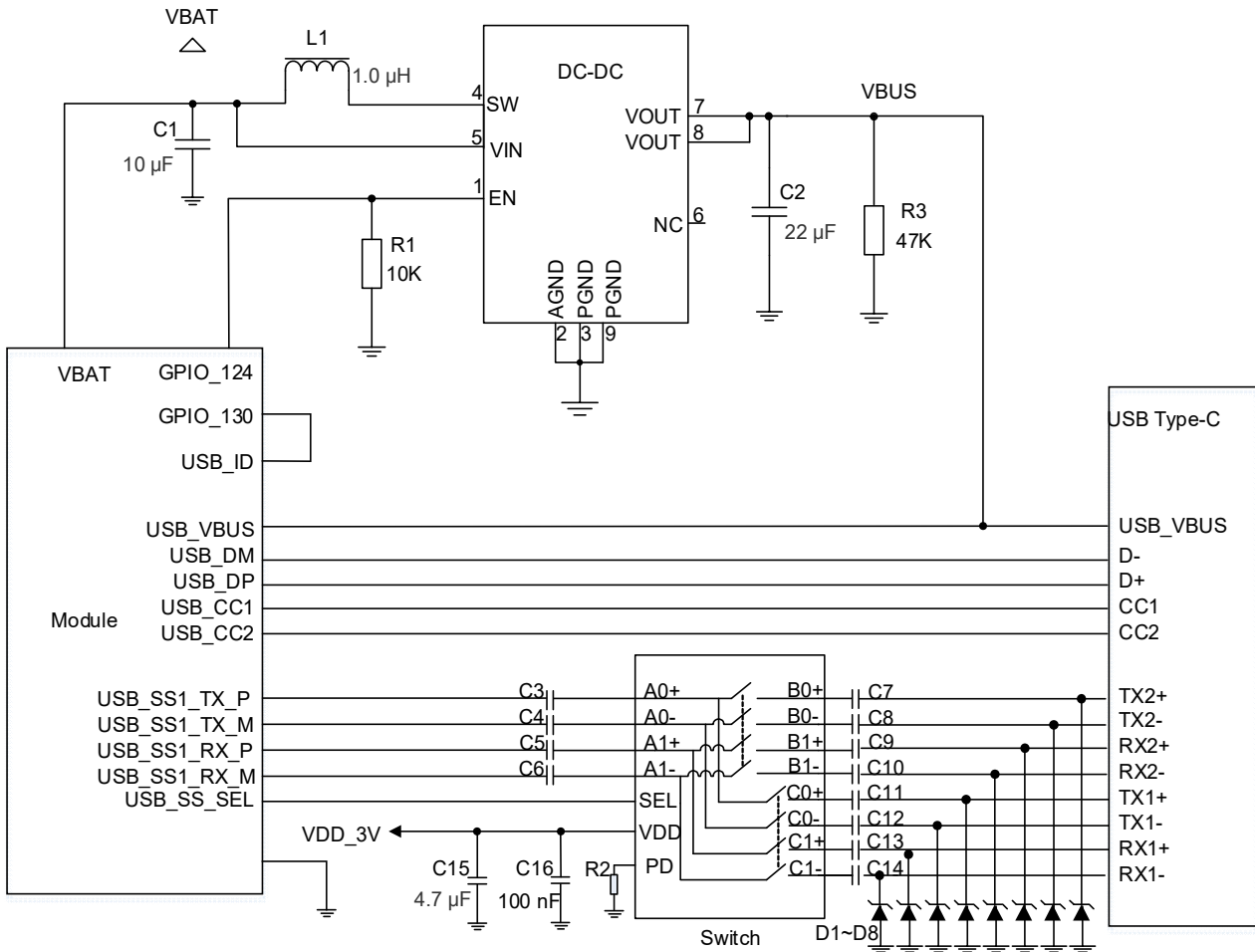


Figure 12: USB Type-C Interface Reference Design

The USB interface of the module supports OTG function. If this function is required, please follow the design above to add an external 5 V power supply.

VDD_3V in the circuit is not the internal power supply of the platform, you can use an external LDO as the power supply.

4.1.2. Micro USB Interface

The following table shows the pin definition of Micro USB interface:

Table 13: Pin Definition of Micro USB

Pin Name	Pin No.	I/O	Description	Comment
USB_VBUS	41, 42	AI	USB insertion interruption detect	A test point must be reserved.
USB_DP	32	AIO	USB 2.0 differential data (+)	USB 2.0 standard compliant. 90 Ω differential impedance.
USB_DM	33	AIO	USB 2.0 differential data (-)	Test points must be reserved.
GPIO_130	247	DI	USB ID interruption detect	Internal pull up by default.

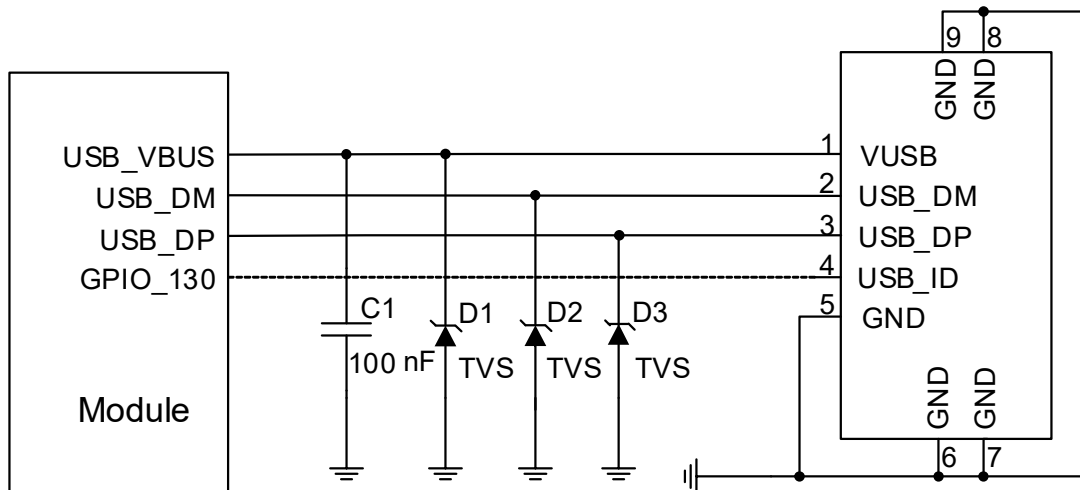


Figure 13: Micro-USB Interface Reference Design

In the design of USB 2.0 interface, it is suggested to connect GPIO_130 directly to USB_ID of the external Micro USB interface to detect USB ID. When inserted device of the external Micro USB interface is in slave mode, USB_ID will output low voltage level to pull GPIO_130 down and then notice the module to enter master mode.

4.1.3. Design Principles for USB Interfaces

To ensure USB performance, comply with the following principles when designing the USB interface.

- Route USB signal traces as differential pairs with surrounded ground. The impedance of USB differential trace is 90 Ω.
- The reference ground plane under the USB signal traces must be continuous without any cuts or vias to ensure impedance continuity.
- Keep the ESD protection components as close as possible to the USB connector. Typically, stray capacitance should be less than 2 pF for USB 2.0 and less than 0.5 pF for USB 3.1 Gen 1.
- Do not route signal traces under crystals, oscillators, magnetic devices and RF signal traces. Route USB differential traces at the inner-layer of the PCB, and surround the traces with ground on that layer and ground planes above and below.
- Do not route USB 3.1 Gen 1 signal traces under RF signal traces. Crossing or being parallel with RF signal traces is forbidden. Isolation between USB 3.1 Gen 1 signals and RF signals should be over 90 dB. Otherwise, the RF signals will be seriously affected.
- Ensure the intra-pair (P/M) trace length difference does not exceed 0.7 mm and that the inter-pair (RX/TX) trace length difference does not exceed 10 mm.
- Make sure the trace length difference between USB 2.0 DP and USB 2.0 DM differential pair does not exceed 2 mm.
- For USB 3.1 Gen 1, the spacing between Rx and Tx signal traces should be four times the signal trace width. The spacing between USB 3.1 signal trace and other signal traces should be four times the signal trace width. For USB 2.0, the spacing between DP and DM signal traces should be three times the signal trace width and the spacing between USB 2.0 signal traces and other signal traces should be four times the signal trace width.

Table 14: USB Trace Length Inside the Module

Pin No.	Signal	Length (mm)	Length Mismatch (DP-DM)
32	USB_DP	38.0	0.1
33	USB_DM	37.9	
171	USB_SS1_RX_P	42.7	-0.1
172	USB_SS1_RX_M	42.8	
174	USB_SS1_TX_P	27.0	0.2
175	USB_SS1_TX_M	26.8	
162	USB_SS2_RX_P	27.1	0.1
161	USB_SS2_RX_M	27.0	

165	USB_SS2_TX_P	34.0	0.1
164	USB_SS2_TX_M	33.9	

4.2. (U)SIM Interfaces

The module provides two (U)SIM interfaces which meet ETSI and IMT-2000 requirements. Dual SIM Dual Standby is supported and either 1.8 V or 2.95 V (U)SIM card is supported. The pin definition of (U)SIM interface is shown below.

Table 15: Pin Definition of (U)SIM Interface

Pin Name	Pin No.	I/O	Description	Comment
USIM1_VDD	141	PO	(U)SIM1 card power supply	Can recognize 1.8 V or 2.95 V (U) SIM card automatically. External capacitance shall not exceed 4 μ F.
USIM1_DATA	142	DIO	(U)SIM1 card data	Pull it up to USIM1_VDD with an external 10 k Ω resistor. Cannot be multiplexed into a generic GPIO.
USIM1_CLK	143	DO	(U)SIM1 card clock	Cannot be multiplexed into a generic GPIO.
USIM1_RST	144	DO	(U)SIM1 card reset	
USIM1_DET	145	DI	(U)SIM1 card hot-swap detect	Require external pull-up to LDO9A_1V8. Active low. If unused, keep this pin open. This function is disabled by default. Cannot be multiplexed into a generic GPIO.
USIM2_VDD	210	PO	(U)SIM2 card power supply	Either 1.8 V or 2.95 V (U)SIM card is supported. External capacitance shall not exceed 4 μ F.
USIM2_DATA	209	DIO	(U)SIM2 card data	Pull it up to USIM2_VDD with an external 10 k Ω resistor. Cannot be multiplexed into a generic GPIO.

USIM2_CLK	208	DO	(U)SIM2 card clock	Cannot be multiplexed into a generic GPIO.
USIM2_RST	207	DO	(U)SIM2 card reset	
USIM2_DET	256	DI	(U)SIM2 card detect	Require external pull-up to LDO9A_1V8. Active low. If unused, keep this pin open. This function is disabled by default. Cannot be multiplexed into a generic GPIO.

The module supports (U)SIM card hot-swap via the USIM_DET. This function is disabled by default via software. To enable it, please contact Quectel Technical Support. A reference circuit for (U)SIM card interface with an 8-pin (U)SIM card connector is illustrated in the following figure.

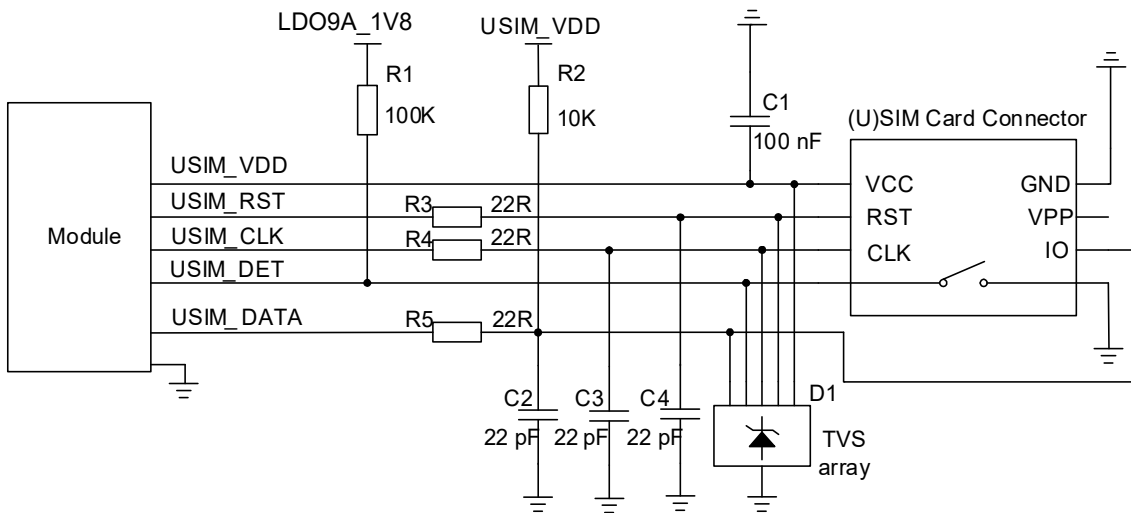


Figure 14: Reference Design of (U)SIM Interface with an 8-Pin (U)SIM Card Connector

If you do not need hot-swap detection, keep USIM1_DET and USIM2_DET pins open.

The following is a reference circuit for (U)SIM interface with a 6-pin (U)SIM card connector.

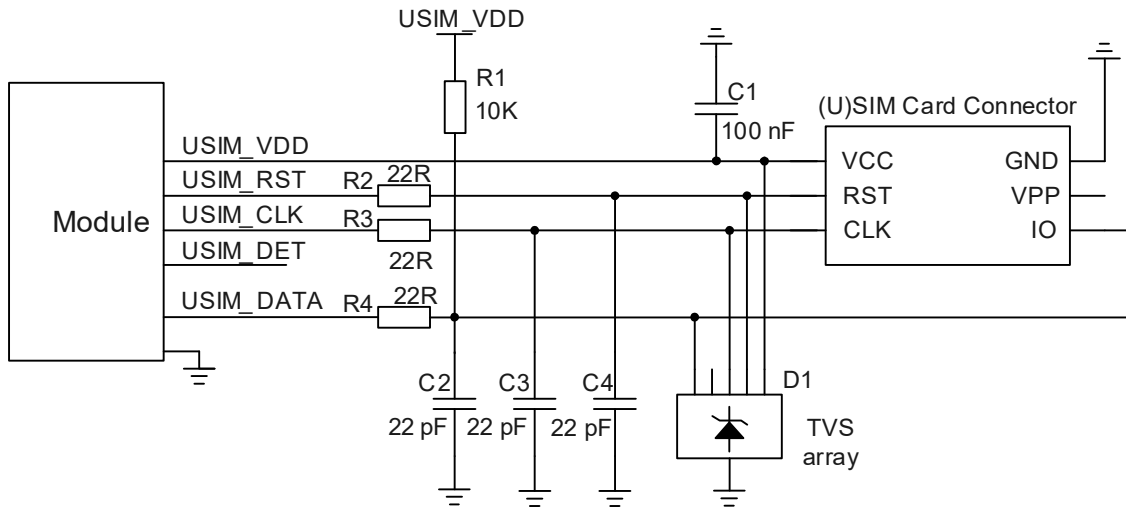


Figure 15: Reference Design of (U)SIM Interface with a 6-Pin (U)SIM Card Connector

To enhance the reliability and availability of the (U)SIM card in applications, please follow the criteria below in (U)SIM circuit design.

- Place the (U)SIM card connector as close to the module as possible. Keep the trace length as short as possible, at most 200 mm.
- Keep (U)SIM card signals away from RF and VBAT traces.
- Reserve a filter capacitor for USIM_VDD, and its maximum capacitance should not exceed 1 μ F. Additionally, place the capacitor near the (U)SIM card connector.
- To avoid cross-talk between USIM_DATA and USIM_CLK, keep them away from each other and shield them with surrounded ground. USIM_RST also needs ground protection.
- To ensure good ESD protection, it is recommended to add a TVS diode array with parasitic capacitance not exceeding 30 pF. Add 22 Ω resistors in series between the module and (U)SIM card to suppress EMI and enhance ESD protection. Add 22 pF capacitors in parallel on USIM_DATA, USIM_CLK and USIM_RST signal traces to filter RF interference, and place them as close to the (U)SIM card connector as possible. Please note that the (U)SIM peripheral circuit should be close to the (U)SIM card connector.
- The pull-up resistor on USIM_DATA can improve anti-jamming capability of the (U)SIM card. If the (U)SIM card traces are too long, or the interference source is relatively close, it is recommended to add a pull-up resistor close to the (U)SIM card connector.

4.3. SD Card Interface

The module supports SD 3.0 specifications and SD card hot-swap. The pin definition of the SD card interface is shown below.

Table 16: Pin Definition of SD Card Interface

Pin Name	Pin No.	I/O	Description	Comment
SD_CLK	70	DO	SD card clock	
SD_CMD	69	DIO	SD card command	
SD_DATA0	68	DIO	SDIO data bit 0	Control characteristic impedance as 50 Ω.
SD_DATA1	67	DIO	SDIO data bit 1	
SD_DATA2	66	DIO	SDIO data bit 2	
SD_DATA3	65	DIO	SDIO data bit 3	
SD_DET	64	DI	SD card hot-swap detect	Active low. Require external pull-up to LDO9A_1V8.
SD_VDD	63	PO	SD card power supply	External capacitance shall not exceed 13.5 μF.
SD_PU_VDD	179	PO	SD card pull-up power; supply 1.8/2.95 V output	Only for SD card pull-up, maximum power supply is 50 mA. External capacitance shall not exceed 4 μF.

A reference circuit for the SD card interface is shown below.

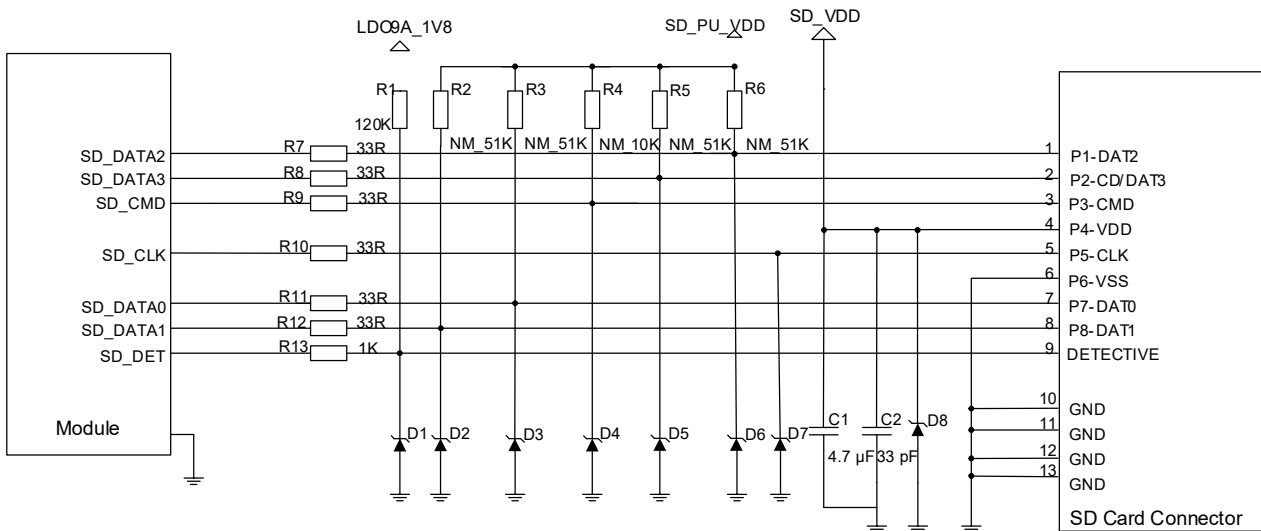


Figure 16: Reference Design for SD Card Interface

SD_VDD is a peripheral driver power supply for SD card. The maximum drive current is 600 mA. Because of the high drive current, it is recommended that the trace width is 0.5 mm or above. To ensure the stability of drive power, add a 4.7 μF and a 33 pF capacitor in parallel near the SD card connector.

SD_CMD, SD_CLK, SD_DATA0, SD_DATA1, SD_DATA2 and SD_DATA3 are all high-speed signal traces. In PCB design, control the characteristic impedance of them as 50 Ω, and do not cross them with other traces. It is recommended to route these traces on the inner layer of PCB. Additionally, SD_CLK needs ground shielding separately.

Layout guidelines:

- Control impedance to 50 Ω ±10 %, and add ground shielding.
- Trace length difference between SD_CLK and SD_CMD/SD_DATA should be less than 2 mm.
- Trace length requirements: less than 150 mm for traces of 50 Mbps; less than 50 mm for traces of 104 Mbps.
- The spacing between signal traces should be 1.5 times the line width.
- The capacitive reactance of SD_DATA[0:3], SD_CLK, SD_CMD traces should be less than 8 pF.
- The capacitive reactance of D1–D7 should be less than 5 pF.

Table 17: SD Card Signal Trace Length Inside the Module

Pin No.	Signal	Length (mm)
70	SD_CLK	63.9
69	SD_CMD	63.9
68	SD_DATA0	64.2
67	SD_DATA1	63.9
66	SD_DATA2	64.4
65	SD_DATA3	64.0

4.4. GPIO Interfaces

The module has abundant GPIO interfaces with a power domain of 1.8 V. The pin definition is listed below.

Table 18: Pin Definition of GPIOs

Pin Name	Pin No.	I/O	Description	Comment
GPIO_8	227	DIO		-
GPIO_9	228	DIO		
GPIO_26	136	DIO		
GPIO_27	137	DIO		Support wakeup interrupt.
GPIO_43	238	DIO	General-purpose input/output	
GPIO_83	200	DIO		
GPIO_84	201	DIO		-
GPIO_85	237	DIO		
GPIO_95	113	DIO		Support wakeup interrupt.
GPIO_97	114	DIO		

GPIO_117	213	DIO	-
GPIO_119	234	DIO	-
GPIO_123	230	DIO	Support wakeup interrupt.
GPIO_124	229	DIO	-
GPIO_125	232	DIO	-
GPIO_126	231	DIO	Support wakeup interrupt.
GPIO_127	178	DIO	-
GPIO_128	177	DIO	-
GPIO_130	247	DIO	Support wakeup interrupt.
GPIO_131	248	DIO	-

NOTE

For more details about GPIO configuration, see *document [1]*.

4.5. UART Interfaces

The module supports up to five groups of UART interfaces. Three of them are default configurations, see *Table 19*. Two of them are multiplexed from other interfaces, see *Table 23*.

Three UART interfaces:

- UART00: 4-wire UART interface, supports RTS and CTS hardware flow control, up to 4 Mbps;
- Debug UART: 2-wire UART interface, dedicated for debugging by default;
- UART03: 2-wire UART interface.

Pin definition of the UART interface is here as follows:

Table 19: Pin Definition of UART

Pin Name	Pin No.	I/O	Description	Comment
DBG_TXD	5	DO	Debug UART transmit.	1.8 V power domain; If not used, keep these pins open.
DBG_RXD	6	DI	Debug UART receive.	Test points must be reserved.
UART03_TXD	7	DO	UART03 transmit	1.8 V power domain; If not used, keep these pins open.
UART03_RXD	8	DI	UART03 receive	
UART00_TXD	199	DO	UART00 transmit	1.8 V power domain; If not used, keep these pins open.
UART00_RXD	198	DI	UART00 receive	When UART00_RTS and UART00_CTS are multiplexed into I2C, UART00_TXD and UART00_RXD can only be used as generic GPIO.
UART00_RTS	245	DO	Request to send signal from the module	
UART00_CTS	246	DI	Clear to send signal to the module	

UART00 is a 4-wire UART interface with 1.8 V power domain. A level-shifting chip should be used if your application is equipped with a 3.3 V UART interface. The following figure shows a reference design.

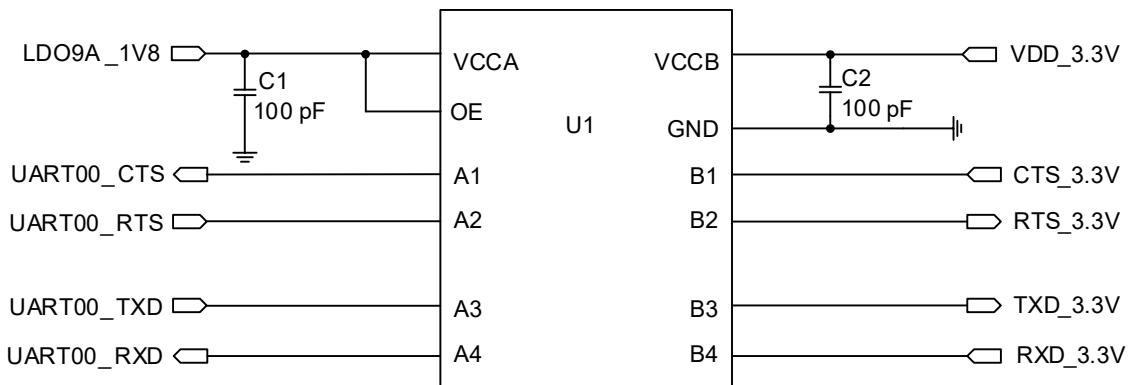


Figure 17: Reference Design of UART with Level-shifting Chip (for UART00)

A voltage-level translator and an RS-232 level-shifting chip are recommended to be added between the module and PC. The following figure shows a reference design.

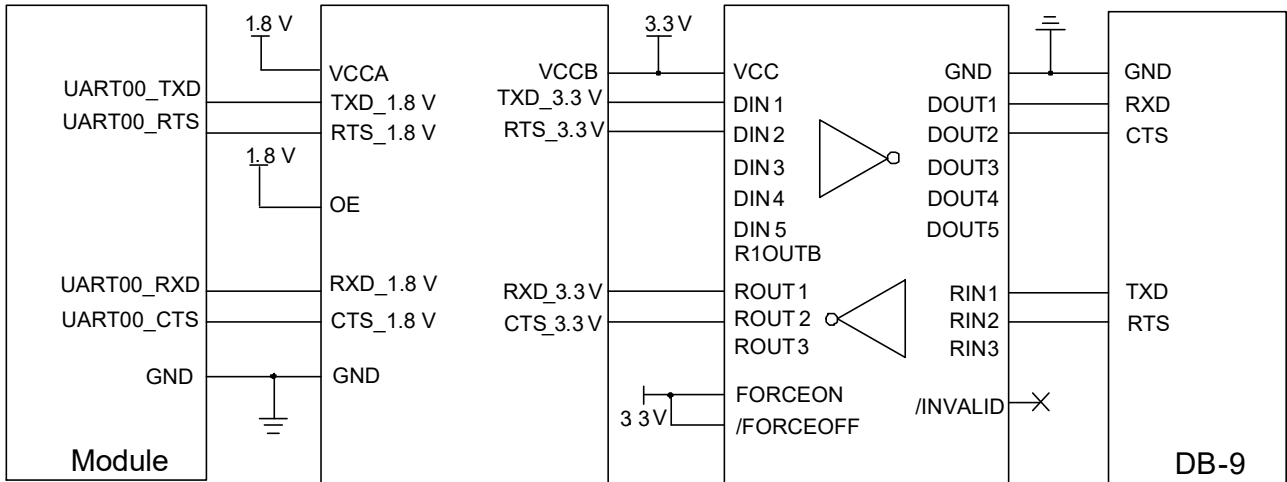


Figure 18: Reference Design of UART with RS-232 Level-shifting Chip (for UART00)

NOTE

The debug UART and UART03 are similar to UART00. For the reference designs, please refer to UART00.

4.6. SPI Interfaces

The module provides four groups of SPI which only support master mode. It can be used for fingerprint recognition. Two of them are default configurations, see **Table 20**; The other two of them are multiplexed from other interfaces, see **Table 23**.

Table 20: Pin Definition of SPI Interfaces

Pin Name	Pin No.	I/O	Description	Comment
SPI10_CS	58	DO	SPI10 chip select	
SPI10_CLK	59	DO	SPI10 clock	
SPI10_MOSI	60	DO	SPI10 master-out slave-in	1.8 V power domain; Support master mode only.
SPI10_MISO	61	DI	SPI10 master-in slave-out	
SPI13_CS	203	DO	SPI13 chip select	
SPI13_CLK	250	DO	SPI13 clock	

SPI13_MOSI	249	DO	SPI13 master-out slave-in
SPI13_MISO	251	DI	SPI13 master-in slave-out

4.7. I2C Interfaces

The module provides eight groups of I2C interfaces. Three of them are dedicated I2C interfaces used for cameras and sensors. Two of them are generic I2C interfaces used for TPs and other peripherals, see **Table 21**; three of them are multiplexed from other interfaces, see **Table 23**.

All I2C interfaces are open drain signals and therefore you must pull them up externally. The reference power domain is 1.8 V. The sensor I2C interface only supports sensors of aDSP architecture. CAM_I2C and DCAM_I2C signals are controlled by Linux Kernel code and support connection to video-output-related devices.

Table 21: Pin Definition of I2C Interfaces

Pin Name	Pin No.	I/O	Description	Comment
CAM_I2C_SCL	75	OD	I2C clock of front and rear camera,	1.8 V power domain. Dedicated for camera only. External pull-up is required.
CAM_I2C_SDA	76	OD	I2C data of front and rear camera	
DCAM_I2C_SCL	196	OD	I2C clock of depth camera	Cannot be multiplexed into a generic GPIO
DCAM_I2C_SDA	197	OD	I2C data of depth camera	
SENSOR_I2C_SCL	131	OD	I2C clock for external sensor	1.8 V power domain. Dedicated for external sensor. Cannot be multiplexed into a generic GPIO External pull-up is required.
SENSOR_I2C_SDA	132	OD	I2C data for external sensor	
I2C11_SCL	205	OD	I2C serial clock	1.8 V power domain. External pull-up is required.
I2C11_SDA	204	OD	I2C serial data	
TP_I2C_SCL	140	OD	TP I2C clock	
TP_I2C_SDA	206	OD	TP I2C data	

4.8. I2S Interfaces

The module supports up to three groups of I2S interfaces. One of them is default configuration, and the power domain is 1.8 V, see **Table 22**. Two of them are multiplexed from other interfaces, see **Table 23**.

Table 22: Pin Definition of I2S Interface

Pin Name	Pin No.	I/O	Description	Comment
MI2S_DATA1	155	DIO	I2S data channel 0	1.8 V power domain.
MI2S_DATA0	154	DIO	I2S data channel 1	
MI2S_WS	156	DO	I2S word select	
MI2S_SCLK	212	DO	I2S serial clock	
GPIO_119	234	DIO	General-purpose input/output	1.8 V power domain. Can be used as I2S master clock

4.9. Multiplexing Relationship of UART/SPI/I2C/I2S

The module supports six groups of configurable functional interfaces, which can be configured into UART, SPI, I2C or I2S interfaces. For details, see the table below (dedicated I2C interfaces, debug UART and interfaces those are already used inside the module are not included):

Table 23: Multiplexing Relationship of UART/SPI/I2C/I2S

Channel	Pin No.	Pin Name	GPIO No.	Multiplexing Functions			
				UART	SPI	I2C	I2S
QUP0-SE0	246	UART00_CTS	GPIO_0	UART00_CTS	SPI00_MISO	I2C00_SDA	-
	245	UART00_RTS	GPIO_1	UART00_RTS	SPI00_MOSI	I2C00_SCL	-
	199	UART00_TXD	GPIO_2	UART00_TXD	SPI00_CLK	-	-
	198	UART00_RXD	GPIO_3	UART00_RXD	SPI00_CS	-	-
QUP0-SE2	206	TP_I2C_SDA	GPIO_6	UART02_CTS	SPI02_MISO	I2C02_SDA	-
	140	TP_I2C_SCL	GPIO_7	UART02_RTS	SPI02_MOSI	I2C02_SCL	-

	227	GPIO_8	GPIO_8	UART02_TXD	SPI02_CLK	-	-
	228	GPIO_9	GPIO_9	UART02_RXD	SPI02_CS	-	-
QUP0-SE3	7	UART03_TXD	GPIO_14	UART03_TXD	-	I2C03_SDA	-
	8	UART03_RXD	GPIO_15	UART03_RXD	-	I2C03_SCL	-
QUP1-SE0	61	SPI10_MISO	GPIO_22	UART10_CTS	SPI10_MISO	I2C10_SDA	-
	60	SPI10_MOSI	GPIO_23	UART10_RTS	SPI10_MOSI	I2C10_SCL	-
	59	SPI10_CLK	GPIO_24	UART10_TXD	SPI10_CLK	-	-
	58	SPI10_CS	GPIO_25	UART10_RXD	SPI10_CS	-	-
QUP1-SE1	204	I2C11_SDA	GPIO_30	-	-	I2C11_SDA	-
	205	I2C11_SCL	GPIO_31	-	-	I2C11_SCL	-
QUP1-SE3	251	SPI13_MISO	GPIO_18	-	SPI13_MISO	-	I2S2_SCLK
	249	SPI13_MOSI	GPIO_19	-	SPI13_MOSI	-	I2S2_WS
	250	SPI13_CLK	GPIO_20	-	SPI13_CLK	-	I2S2_DATA0
	203	SPI13_CS	GPIO_21	-	SPI13_CS	-	I2S2_DATA1
-	232	GPIO_125	GPIO_125	-	-	-	I2S1_SCLK
-	231	GPIO_126	GPIO_126	-	-	-	I2S1_WS
-	178	GPIO_127	GPIO_127	-	-	-	I2S1_DATA0
-	177	GPIO_128	GPIO_128	-	-	-	I2S1_DATA1
-	212	MI2S_SCLK	GPIO_113	-	-	-	-
-	156	MI2S_WS	GPIO_114	-	-	-	-
-	154	MI2S_DATA0	GPIO_115	-	-	-	-
-	155	MI2S_DATA1	GPIO_116	-	-	-	-

NOTE

1. The module supports QUP-SE channel and I2S interface, and QUP-SE channel can be used flexibly, and it supports UART, SPI, and I2C interfaces.
2. Note that QUP SE interfaces in the same group cannot support two protocols. For instance: QUP in the same group cannot support UART and I2C at the same time. If one protocol only occupies parts

of pins in one group of QUP, then other pins in this group can only be used as GPIO.

- MI2S in the table is the default interface. I2S1 interface is configured from default GPIO. To allocate interfaces more conveniently, they are all listed in the table.

4.10. ADC Interfaces

The module provides two analog-to-digital converter (ADC) interfaces and the pin definition is shown below.

Table 24: Pin Definition of ADC Interfaces

Pin Name	Pin No.	I/O	Description	Comment
ADC0	151	AI	General-purpose ADC interface	1.8 V power domain.
ADC1	153	AI		

The ADC interfaces support resolution of up to 15 bits.

4.11. LCM Interface

The module provides one LCM interface, which is MIPI_DSI standard compliant. The interface supports one group of 4-lane high-speed differential data transmission with maximum speed rate of 1.5 Gbps/lane and supports HD+ display (1920 x 1200 @ 60 fps or 1080 x 2520 @ 60 fps). The pin definition of the LCM interface is shown below.

Table 25: Pin Definition of LCM

Pin Name	Pin No.	I/O	Description	Comment
LDO12A_1V8	10	PO	1.8 V output (Power supply for I/O of cameras, LCM and sensors)	Add a 1.0–4.7 μF bypass capacitor if used. Total capacitance cannot exceed 9 μF.
ELDO2_2V85	12	PO	2.85 V output (Power supply for LCM and camera's AFVDD)	If not used, keep these pins open.
DSI_CLK_P	115	AO	LCD MIPI clock (+)	Require differential impedance

DSI_CLK_N	116	AO	LCD MIPI clock (-)	of 100 Ω.
DSI_LN0_P	117	AO	LCD MIPI lane 0 data (+)	
DSI_LN0_N	118	AO	LCD MIPI lane 0 data (-)	
DSI_LN1_P	119	AO	LCD MIPI lane 1 data (+)	
DSI_LN1_N	120	AO	LCD MIPI lane 1 data (-)	
DSI_LN2_P	121	AO	LCD MIPI lane 2 data (+)	
DSI_LN2_N	122	AO	LCD MIPI lane 2 data (-)	
DSI_LN3_P	123	AO	LCD MIPI lane 3 data (+)	
DSI_LN3_N	124	AO	LCD MIPI lane 3 data (-)	
LCD_TE	126	DI	LCD tearing effect	1.8 V power domain.
LCD_RST	127	DO	LCD reset	1.8 V power domain. External pull-up is not required.
PWM	152	DO	PWM output	Voltage shall be the same as VBAT. Cannot be multiplexed into a generic GPIO.

You can design external backlight drive circuit for LCM according to actual requirement. The reference designs are shown in the figures below, in which PWM (pin 152) is used for backlight brightness adjustment.

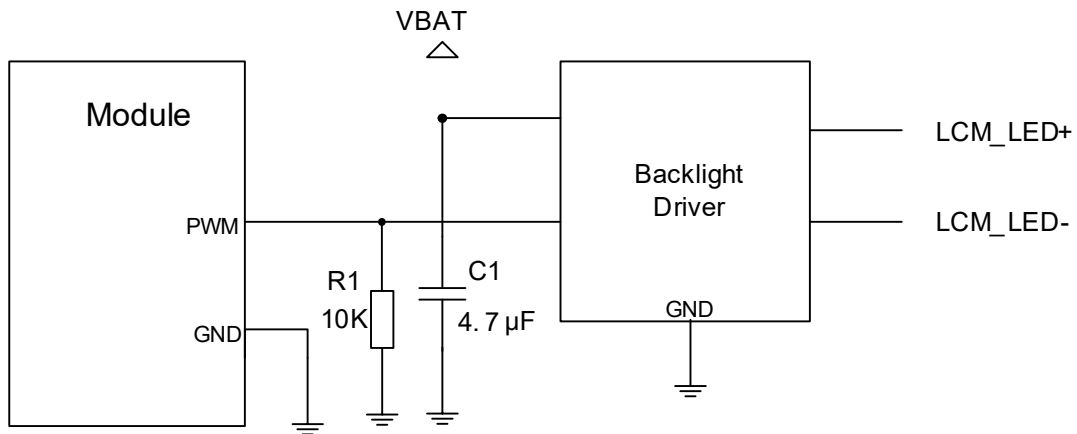


Figure 19: LCM External Backlight Driver Reference Design

A reference circuit for the LCM interface is shown below.

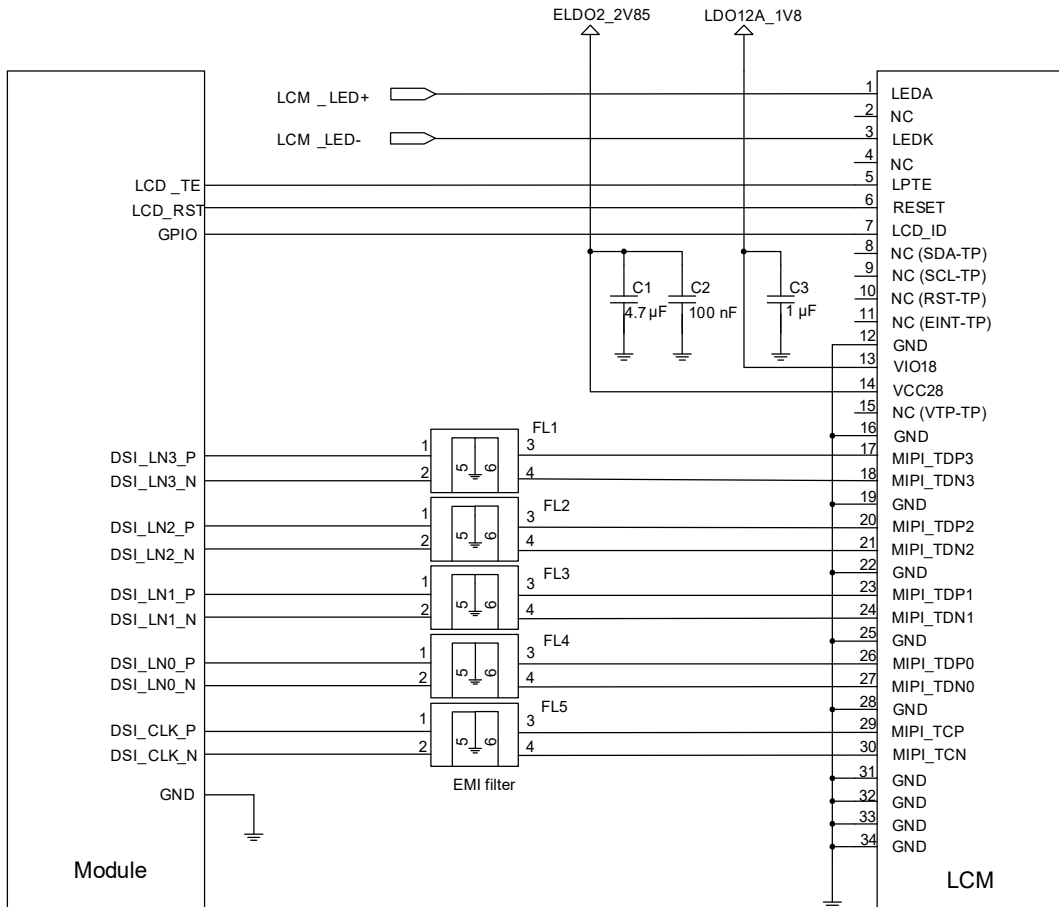


Figure 20: Reference Design for LCM Interface

MIPI are high-speed signal traces. It is recommended to add common-mode chokes in series near the LCM connector to reduce electromagnetic radiation interference.

It is recommended to read the LCM ID register through MIPI when compatible design with other displays is required. If several LCMs share the same IC, it is recommended that the LCM factory should burn an OTP register to distinguish different screens.

4.12. Touch Panel Interface

The module provides one group of I2C interfaces for connection with Touch Panel (TP), and provides the corresponding power supply and interrupt pins. The definitions of TP interface pins are illustrated below.

Table 26: Pin Definition of Touch Panel Interfaces

Pin Name	Pin No.	I/O	Description	Comment
LDO12A_1V8	10	PO	1.8 V output (Power supply for I/O of cameras, LCM and sensors)	Add a 1.0–4.7 μ F bypass capacitor if used.
ELDO1_2V8	11	PO	2.8 V output (Power supply for external cameras and LCM)	Total capacitance cannot exceed 9 μ F. If not used, keep these pins open.
TP_RST	138	DO	TP reset	1.8 V power domain; For TP_RST: it cannot be pulled up during module's turning on process; For TP_I2C: external pull-up is required.
TP_INT	139	DI	TP interrupt	
TP_I2C_SCL	140	OD	TP I2C clock	
TP_I2C_SDA	206	OD	TP I2C data	

A reference design for TP interface is shown below.

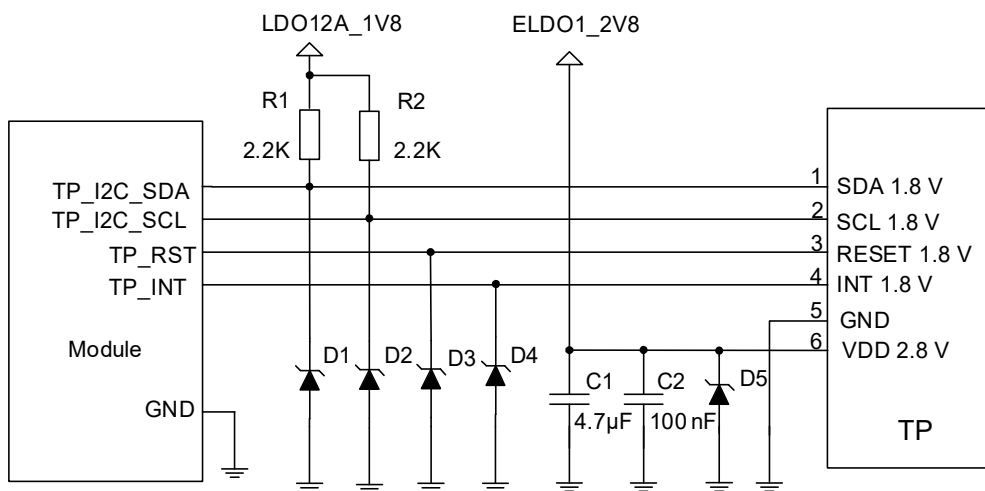


Figure 21: Reference Design for TP0 Interface

4.13. Camera Interfaces

Based on MIPI_CSI, the module supports three cameras (4-lane + 4-lane + 4-lane) with the speed rate of up to 2.1 Gbps/lane. Each camera (4-lane) can be divided into 2-lane + 1-lane. The module supports up to six cameras (up to two cameras at the same time) and up to 16 MP + 16 MP or 24 MP with dual ISP. The video and photo quality are determined by various factors such as the camera sensor, camera lens quality. Pin definition of camera interface is shown in the table below:

Table 27: Pin Definition of Camera Interfaces

Pin Name	Pin No.	I/O	Description	Comment
CSI0_CLK_P	77	AI	MIPI CSI0 clock (+)	
CSI0_CLK_N	78	AI	MIPI CSI0 clock (-)	
CSI0_LN0_P	79	AI	MIPI CSI0 lane 0 data (+)	
CSI0_LN0_N	80	AI	MIPI CSI0 lane 0 data (-)	
CSI0_LN1_P	81	AI	MIPI CSI0 lane 1 data (+)	Require differential impedance of 100 Ω. Used for front camera by default.
CSI0_LN1_N	82	AI	MIPI CSI0 lane 1 data (-)	
CSI0_LN2_P	83	AI	MIPI CSI0 lane 2 data (+)	
CSI0_LN2_N	84	AI	MIPI CSI0 lane 2 data (-)	
CSI0_LN3_P	85	AI	MIPI CSI0 lane 3 data (+)	
CSI0_LN3_N	86	AI	MIPI CSI0 lane 3 data (-)	
CSI1_CLK_P	88	AI	MIPI CSI1 clock (+)	
CSI1_CLK_N	89	AI	MIPI CSI1 clock (-)	
CSI1_LN0_P	90	AI	MIPI CSI1 lane 0 data (+)	
CSI1_LN0_N	91	AI	MIPI CSI1 lane 0 data (-)	Require differential impedance of 100 Ω. Used for rear camera by default.
CSI1_LN1_P	92	AI	MIPI CSI1 lane 1 data (+)	
CSI1_LN1_N	93	AI	MIPI CSI1 lane 1 data (-)	
CSI1_LN2_P	94	AI	MIPI CSI1 lane 2 data (+)	
CSI1_LN2_N	95	AI	MIPI CSI1 lane 2 data (-)	

CSI1_LN3_P	96	AI	MIPI CSI1 lane 3 data (+)	
CSI1_LN3_N	97	AI	MIPI CSI1 lane 3 data (-)	
CSI2_CLK_P	183	AI	MIPI CSI2 clock (+)	
CSI2_CLK_N	184	AI	MIPI CSI2 clock (-)	
CSI2_LN0_P	185	AI	MIPI CSI2 lane 0 data (+)	Require differential impedance of 100 Ω. Used for depth camera by default.
CSI2_LN0_N	186	AI	MIPI CSI2 lane 0 data (-)	
CSI2_LN1_P	187	AI	MIPI CSI2 lane 1 data (+)	
CSI2_LN1_N	188	AI	MIPI CSI2 lane 1 data (-)	
CSI2_LN2_P	189	AI	MIPI CSI2 lane 2 data (+)	Require differential impedance of 100 Ω. Used for depth camera by default. Can be multiplexed into the 4 th camera's MIPI data (+).
CSI2_LN2_N	190	AI	MIPI CSI2 lane 2 data (-)	Require differential impedance of 100 Ω. Used for depth camera by default. Can be multiplexed into the 4 th camera's MIPI data (-).
CSI2_LN3_P	191	AI	MIPI CSI2 lane 3 data (+)	Require differential impedance of 100 Ω. Used for depth camera by default Can be multiplexed into the 4 th camera's MIPI clock (+).
CSI2_LN3_N	192	AI	MIPI CSI2 lane 3 data (-)	Require differential impedance of 100 Ω. Used for depth camera by default Can be multiplexed into the 4 th camera's MIPI clock (-).
MCAM_MCLK	99	DO	Master clock of rear camera	1.8 V power domain.
SCAM_MCLK	100	DO	Master clock of front camera	
DCAM_MCLK	194	DO	Master clock of depth camera	
CAM4_MCLK	236	DO	Master clock of the 4 th camera	

MCAM_RST	74	DO	Reset of rear camera	
SCAM_RST	72	DO	Reset of front camera	
DCAM_RST	180	DO	Reset of depth camera	
MCAM_PWDN	73	DO	Power down of rear camera	
SCAM_PWDN	71	DO	Power down of front camera	
DCAM_PWDN	181	DO	Power down of depth camera	
LDO2C_1V1	13	PO	1.1 V output (Power supply for DVDD of rear cameras)	Add a 1.0–4.7 μ F bypass capacitor if used. Total capacitance cannot exceed 15.3 μ F. If not used, keep it open. Power supply only for cameras.
LDO3C_2V8	14	PO	2.8 V output (Power supply for AVDD of cameras)	Add a 1.0–4.7 μ F bypass capacitor if used. Total capacitance cannot exceed 47.8 μ F. If not used, keep it open. Power supply only for cameras.
LDO1C_1V2	15	PO	1.2 V output (Power supply for DVDD of front cameras)	Add a 1.0–4.7 μ F bypass capacitor if used. Total capacitance cannot exceed 15.3 μ F. If not used, keep it open. Power supply only for cameras.
ELDO2_2V85	12	PO	2.85 V output (Power supply for LCM and camera's AFVDD)	Add a 1.0–4.7 μ F bypass capacitor if used. Total capacitance cannot exceed 9 μ F.
LDO12A_1V8	10	PO	1.8 V output (Power supply for I/O of cameras, LCM and sensors)	If not used, keep these pins open.
CAM_I2C_SCL	75	OD	I2C clock of front and rear camera	1.8 V power domain.
CAM_I2C_SDA	76	OD	I2C data of front and rear camera	External pull-up is required. Dedicated for camera only.
DCAM_I2C_SCL	196	OD	I2C clock of depth camera	Cannot be multiplexed into a generic GPIO.
DCAM_I2C_SDA	197	OD	I2C data of depth camera	

The following is a reference design for three-camera applications.

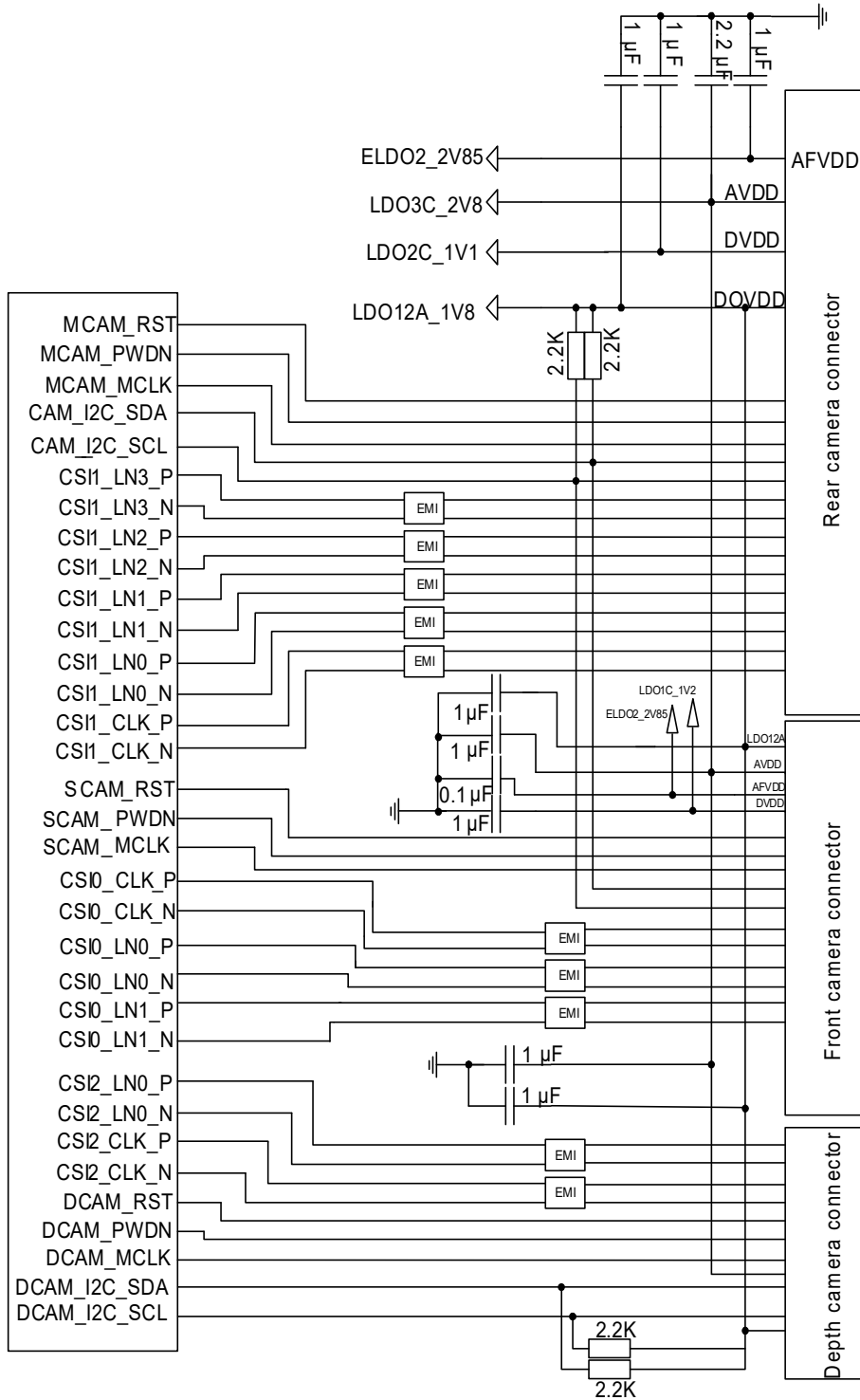


Figure 22: Reference Design for Three-Camera Applications

NOTE

1. The module supports three groups of CSI. CSI0 is used for front camera by default, CSI1 is used for rear camera and CSI2 is used for depth camera by default.
2. CSI2_LN2_P, CSI2_LN2_N, CSI2_LN3_P and CSI2_LN3_N can be multiplexed into the MIPI signal traces of the 4th camera. In this circumstance, the related RST and PWDN signals use generic GPIO configurations.
3. The module supports up to 2-lane simultaneously transmission (up to 16 MP for each lane).

MIPI design considerations:

- Special attention should be paid to the pin description of LCM and camera interfaces. Different video devices will have varied definitions for their corresponding connectors. Ensure that the devices and the connectors are correctly connected.
- MIPI are high-speed signal traces, supporting maximum data rate of up to 2.1 Gbps for CSI and up to 1.5 Gbps for DSI. The differential impedance should be controlled to 100 Ω. Additionally, it is recommended to route the traces on the inner layer of PCB and do not cross it with other traces. For the same group of DSI or CSI signals, keep all the MIPI traces of the same length.
- Make sure the reference ground plane for CSI/DSI is complete and integral, without any cut or void.
- Route the camera CLK signals in the inner layer of the PCB and surround them with ground.
- Route CSI and DSI traces according to the following rules:
 - a) The intra-pair (P/N) spacing should be 1 time the trace width.
 - b) The inter-lane spacing should be 1.5 times the trace width.
 - c) The spacing to other signal traces should be 2.5 times the trace width.
- Route MIPI traces according to the following rules:
 - a) Control the differential impedance to 100 Ω ±10 %.
 - b) Control intra-lane(P/N) length difference within 0.7 mm;
 - c) Control inter-lane length difference within 1.4 mm (For CSI2, trace length between lanes needs to be controlled on your baseboard as a whole).

Table 28: Relationship Between CSI Rate and Trace Length (D-PHY)

Data rate	Cable Length (mm)	Cable Insertion Loss (dB)	Trace Length (mm)
500 Mbps/lane	76.2	-0.5	< 260
	152.4	-1	< 190
750 Mbps/lane	76.2	-0.7	< 210
	152.4	-1.15	< 155
1.0 Gbps/lane	76.2	-0.75	< 200

	152.4	-1.4	< 125
1.5 Gbps/lane	76.2	-0.9	< 145
	152.4	-1.8	< 60
2.1 Gbps/lane	76.2	-1.3	< 170
	152.4	-2.3	< 90

Table 29: Relationship Between DSI Rate and Trace Length (D-PHY)

Data rate	Cable Length (mm)	Cable Insertion Loss (dB)	Trace Length (mm)
500 Mbps/lane	76.2	-0.8	< 280
	152.4	-1.4	< 210
750 Mbps/lane	76.2	-1	< 210
	152.4	-1.5	< 150
1.0 Gbps/lane	76.2	-1.1	< 200
	152.4	-1.7	< 100
1.5 Gbps/lane	76.2	-1.2	< 135
	152.4	-2.2	< 40

NOTE

1. The cable length listed above is an example with specified insertion loss.
2. The cable insertion loss can be obtained from the cable datasheet provided by the related manufacturer. The cable insertion loss on the design should not be worse than what is listed in this table.
3. The length in the above table includes the length of the trace inside the module.

Table 30: Trace Length of MIPI Differential Pairs Inside the Module

Pin No.	Signal	Length (mm)	Length Mismatch (P-N) (mm)
115	DSI_CLK_P	49.2	-0.5
116	DSI_CLK_N	49.7	

117	DSI_LN0_P	49.2	0.2
118	DSI_LN0_N	49.0	
119	DSI_LN1_P	49.3	0
120	DSI_LN1_N	49.3	
121	DSI_LN2_P	49.1	0.1
122	DSI_LN2_N	49.0	
123	DSI_LN3_P	48.8	0.3
124	DSI_LN3_N	48.5	
77	CSI0_CLK_P	25.2	0
78	CSI0_CLK_N	25.2	
79	CSI0_LN0_P	25.2	0
80	CSI0_LN0_N	25.2	
81	CSI0_LN1_P	25.2	0
82	CSI0_LN1_N	25.2	
83	CSI0_LN2_P	25.2	0
84	CSI0_LN2_N	25.2	
85	CSI0_LN3_P	25.3	0.1
86	CSI0_LN3_N	25.2	
88	CSI1_CLK_P	16.2	0
89	CSI1_CLK_N	16.2	
90	CSI1_LN0_P	16.2	0
91	CSI1_LN0_N	16.2	
92	CSI1_LN1_P	16.2	0
93	CSI1_LN1_N	16.2	
94	CSI1_LN2_P	16.2	-0.2

95	CSI1_LN2_N	16.4	
96	CSI1_LN3_P	16.1	0.1
97	CSI1_LN3_N	16.0	
183	CSI2_CLK_P	16.6	-0.1
184	CSI2_CLK_N	16.7	
185	CSI2_LN0_P	15.7	0.2
186	CSI2_LN0_N	15.5	
187	CSI2_LN1_P	11.8	-0.3
188	CSI2_LN1_N	12.1	
189	CSI2_LN2_P	5.6	-0.3
190	CSI2_LN2_N	5.9	
191	CSI2_LN3_P	2.5	-0.3
192	CSI2_LN3_N	2.8	

4.14. Sensor Interfaces

The module supports communication with sensors via I2C interfaces, and it supports ALS/PS, compass, accelerometer, gyroscope, etc. Pin definition of sensor interfaces are shown below:

Table 31: Pin Definition of Sensor Interfaces

Pin Name	Pin No.	I/O	Description	Comment
ALPS_INT	253	DI	Light/proximity sensor interrupt	
ACCL_INT	252	DI	Acceleration sensor interrupt	1.8 V power domain.
GYRO_INT	255	DI	Gyroscope sensor interrupt	
MAG_INT	254	DI	Geomagnetic sensor interrupt	
SENSOR_I2C_SCL	131	OD	I2C clock for external sensor	1.8 V power domain.

SENSOR_I2C_SDA	132	OD	I2C data for external sensor	Dedicate for external sensors, cannot be used for touch panel, NFC, I2C keyboard, etc. Cannot be multiplexed into a generic GPIO.
----------------	-----	----	------------------------------	---

4.15. Audio Interfaces

The module provides three analog input channels and three analog output channels. The following table shows the pin definition.

Table 32: Pin Definition of Audio Interfaces

Pin Name	Pin No.	I/O	Description	Comment
MIC1_P	44	AI	Microphone input for channel 1 (+)	
MIC1_M	45	AI	Microphone input for channel 1 (-)	Integrated with internal bias voltage
MIC2_P	46	AI	Microphone input for headset (+)	
MIC3_P	169	AI	Microphone input for headset (+)	Integrated without internal bias voltage
MIC_GND	168		Microphone reference ground	If not used, connect it to ground.
MIC_BIAS1	167	AO	Bias voltage 1 output for microphone	
MIC_BIAS3	28	AO	Bias voltage 3 output for microphone	
HS_DET	48	AI	Headset hot-swap detect	Cannot be externally pulled up.
HPH_L	49	AO	Headphone left channel output	
HPH_GND	50		Headphone reference ground	If not used, connect it to ground.
HPH_R	51	AO	Headphone right channel output	
EAR_M	52	AO	Earpiece output (-)	
EAR_P	53	AO	Earpiece output (+)	
SPK_M	54	AO	Loudspeaker output (-)	

SPK_P 55 AO Loudspeaker output (+)

- The module offers three audio input channels, including one differential input channel and two single ended input channels. MIC1/MIC2 has internal bias voltage. MIC3 has no internal bias voltage.
- Two MIC_BIAS output. The output voltage range is programmable between 1.0 V to 2.85 V, and the maximum output current is 6 mA. Both MIC_BIAS can supply power to the MEMS microphone.
- The earpiece interface uses differential output.
- The loudspeaker interface uses the differential output as well. The output channel is available with a Class-K amplifier whose output power is 1.2 W when load is 8 Ω.
- The headphone interface features stereo left and right channel output, and supports headphone insertion detect.

4.15.1. Reference Design for Microphone Interfaces

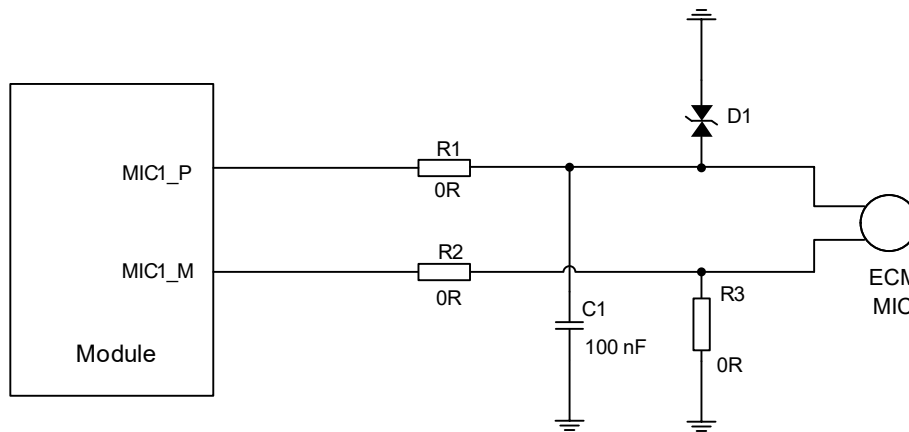


Figure 23: Reference Design for ECM Microphone Interface

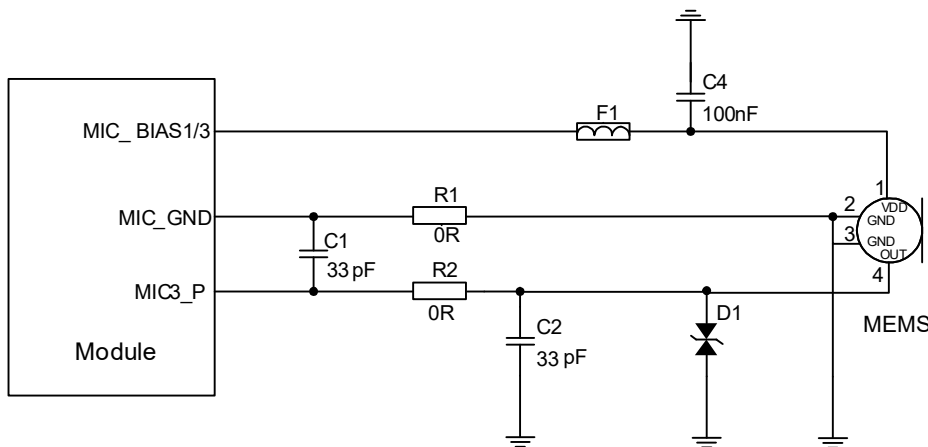


Figure 24: Reference Design for MEMS Microphone Interface

4.15.2. Reference Design for Headset Interface

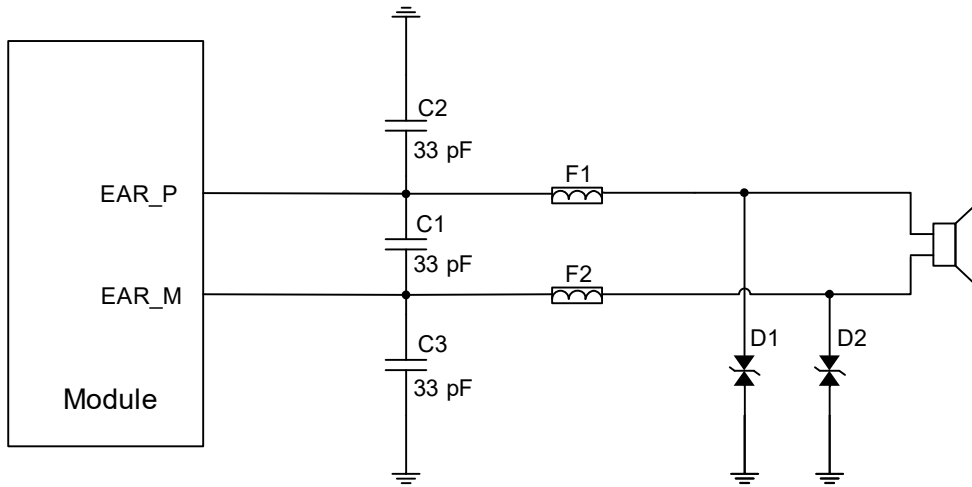


Figure 25: Reference Design for Headset Interface

4.15.3. Reference Design for Headphone Interface

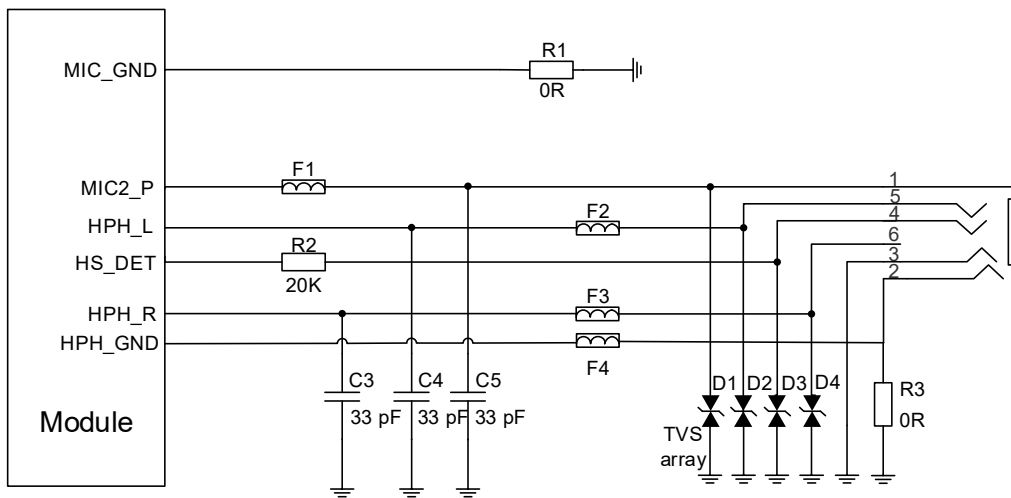


Figure 26: Reference Design for Headphone Interface

4.15.4. Reference Design for Loudspeaker Interface

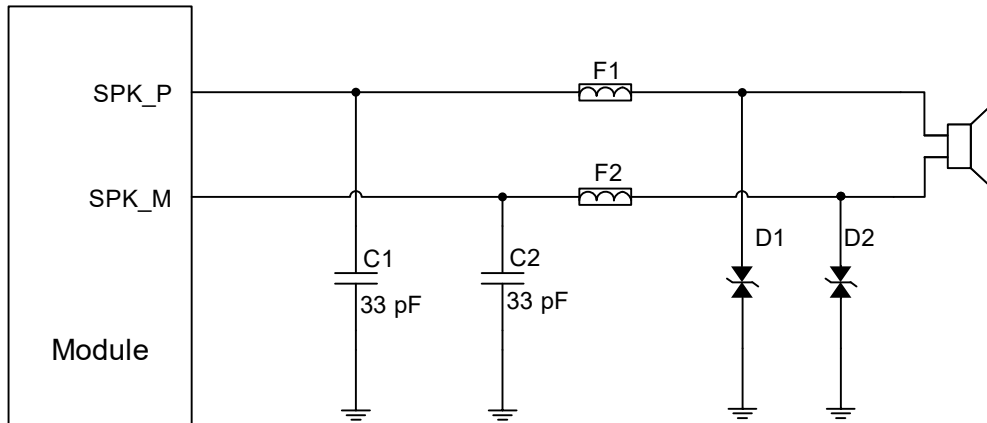


Figure 27: Reference Design for Loudspeaker Interface

4.15.5. Audio Interfaces Design Considerations

It is recommended to use the electret microphone with dual built-in capacitors (e.g., 10 pF and 33 pF) to filter out RF interference, thus reducing TDD noise. Without these capacitors, TDD noise could be heard during the call. Note that the resonant frequency point of a capacitor largely depends on the material and production technique. Therefore, you need to discuss with your capacitor vendors to choose the most suitable capacitor to filter out high-frequency noises.

For modes that support GSM, the severity degree of the RF interference in the voice channel during GSM transmitting largely depends on the application design. Therefore, a suitable capacitor can be selected based on the test results. Sometimes, even no RF filtering capacitor is required. The filter capacitor on the PCB should be placed near the audio device or audio interface as close as possible, and the trace should be as short as possible. The filter capacitor should be passed before reaching other connection points.

To decrease signal interferences, RF antennas should be placed away from audio interfaces and audio traces. Power traces and audio traces should not be parallel, and they should be far away from each other.

The differential audio traces must be routed according to the differential signal layout rule.

4.16. Emergency Download Interface

Table 33: Pin Definition of USB_BOOT

Pin Name	Pin No.	I/O	Description	Comment
USB_BOOT	57	DI	Force the module into emergency download mode	1.8 V power domain. Force the module to enter emergency download mode by pulling this pin up to LDO9A_1V8 during turning-on. A test point is recommended to be reserved.

USB_BOOT is an emergency download interface. Pull it up to LDO9A_1V8 during power-up will force the module into emergency download mode. There is an emergency option when failures such as abnormal start-up or running occur. For firmware upgrade and software debugging in the future, reserve the following reference design.

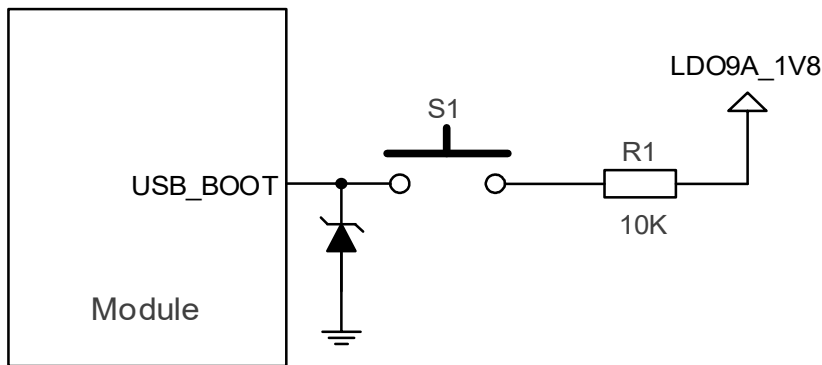


Figure 28: Reference Design for Emergency Download Interface

5 Antenna Interfaces

Appropriate antenna type and design should be used with matched antenna parameters according to specific application. It is required to perform a comprehensive functional test for the RF design before mass production of terminal products. The entire content of this chapter is provided for illustration only. Analysis, evaluation and determination are still necessary when designing target products.

5.1. Cellular Network

5.1.1. Antenna Interface & Frequency Bands

The pin definition is shown below:

Table 34: Pin Definition of Cellular Network Interface

Pin Name	Pin No.	I/O	Description	Comment
ANT_MAIN	19	AIO	Main antenna interface	50 Ω characteristic impedance.
ANT_DRX	149	AI	Rx-diversity antenna interface	

NOTE

Only passive antennas are supported.

Table 35: Operating Frequency of SC668S-EM & SC696S-EM*

Operating Frequencies	Receive (MHz)	Transmit (MHz)
GSM850	869–894	824–849
EGSM900	925–960	880–915
DCS1800	1805–1880	1710–1785
PCS1900	1930–1990	1850–1910

WCDMA B1	2110–2170	1920–1980
WCDMA B2	1930–1990	1850–1910
WCDMA B4	2110–2155	1710–1755
WCDMA B5	869–894	824–849
WCDMA B8	925–960	880–915
LTE-FDD B1	2110–2170	1920–1980
LTE-FDD B2	1930–1990	1850–1910
LTE-FDD B3	1805–1880	1710–1785
LTE-FDD B4	2110–2155	1710–1755
LTE-FDD B5	869–894	824–849
LTE-FDD B7	2620–2690	2500–2570
LTE-FDD B8	925–960	880–915
LTE-FDD B20	791–821	832–862
LTE-FDD B28	758–803	703–748
LTE-TDD B38	2570–2620	2570–2620
LTE-TDD B39	1880–1920	1880–1920
LTE-TDD B40	2300–2400	2300–2400
LTE-TDD B41 ⁴	2496–2690	2496–2690

Table 36: Operating Frequency of SC668S-NA & SC696S-NA*

Operating Frequencies	Receive (MHz)	Transmit (MHz)
LTE-FDD B2	1930–1990	1850–1910
LTE-FDD B4	2110–2155	1710–1755
LTE-FDD B5	869–894	824–849
LTE-FDD B7	2620–2690	2500–2570

⁴ Frequency band of module's LTE-TDD B41 is 200 MHz (2496–2690 MHz), range of channel is 39650–41589.

LTE-FDD B12	729–746	699–716
LTE-FDD B13	746–756	777–787
LTE-FDD B14	758–768	788–798
LTE-FDD B17	734–746	704–716
LTE-FDD B25	1930–1995	1850–1915
LTE-FDD B26	859–894	814–849
LTE-FDD B66	2110–2200	1710–1780
LTE-FDD B71	617–652	663–698
LTE-TDD B41 ⁴	2496–2690	2496–2690

5.1.2. Tx Power

The following table shows the RF output power of the module.

Table 37: Tx Power of SC668S-EM & SC696S-EM*

Frequency	Max. RF output power	Min. RF output power
GSM850	33 dBm \pm 2 dB	5 dBm \pm 5 dB
EGSM900	33 dBm \pm 2 dB	5 dBm \pm 5 dB
DCS1800	30 dBm \pm 2 dB	0 dBm \pm 5 dB
PCS1900	30 dBm \pm 2 dB	0 dBm \pm 5 dB
WCDMA Bands	23 dBm \pm 2 dB	< -49 dBm
LTE Bands	23 dBm \pm 2 dB	< -39 dBm

Table 38: Tx Power of SC668S-NA & SC696S-NA*

Frequency	Max. RF output power	Min. RF output power
LTE Bands	23 dBm \pm 2 dB	< -39 dBm

NOTE

For GPRS transmission on 4 uplink timeslots, the maximum output power reduction is 4.0 dB. The design conforms to 3GPP TS 51.010-1 **subclause 13.16**.

5.2.
5.2.
5.2.

5.2. GNSS

The module integrates the IZat™ GNSS engine (Gen 9) which supports multiple positioning and navigation systems including GPS, GLONASS, BDS, Galileo and QZSS and so on. With an embedded LNA, the positioning accuracy of the module can be greatly improved.

5.2.1. Antenna Interface & Frequency Bands

The following table shows the pin definition, frequency, and performance of GNSS antenna interface.

Table 39: Pin Definition of GNSS Antenna Interface

Pin Name	Pin No.	I/O	Description	Comment
ANT_GNSS	134	AI	GNSS antenna interface	50 Ω characteristic impedance.
GNSS_LNA_EN	202	DO	GNSS LNA enable control	Only for internal test, cannot be multiplexed into a generic GPIO. If it is not used, keep this pin open.

Table 40: Operating Frequency

Type	Frequency	Unit
GPS/QZSS	1575.42 ±1.023	MHz
GLONASS	1597.5–1605.8	
Galileo	1575.42 ±2.046	
BDS	1561.098 ±2.046	

5.2.2. GNSS Performance

Table 41: GNSS Performance

Parameter	Description	Typ.	Unit
Sensitivity	Acquisition	-147	dBm
	Reacquisition	-158	
	Tracking	-159	
TTFF	Cold start	33	s
	Warm start	22	
	Hot start	1.2	
Accuracy	CEP-50	2.49	m

NOTE

1. Tracking sensitivity: the minimum GNSS signal power at which the module can maintain lock (keep positioning for at least 3 minutes continuously).
2. Reacquisition sensitivity: the minimum GNSS signal power required for the module to maintain lock within 3 minutes after loss of lock.
3. Acquisition sensitivity: the minimum GNSS signal power at which the module can fix position successfully within 3 minutes after executing cold start command.

5.2.3. Reference Design

5.2.3.1. Reference Design for GNSS Passive Antenna

GNSS antenna interface supports passive ceramic antennas and other types of passive antennas. A reference design is given below.

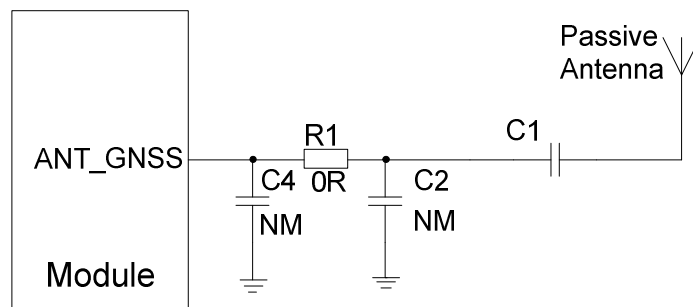


Figure 29: Reference Design for GNSS Passive Antenna

NOTE

It is not recommended to add an external LNA when using a passive GNSS antenna.

5.2.3.2. Reference Design for GNSS Active Antenna

In any case, it is recommended to use a passive antenna. However, if an active antenna is needed in your application, it is recommended to reserve a π -type attenuation circuit and use a high-performance LDO in the power system design. The active antenna is powered by a 56 nH inductor through the antenna's signal path. The common power supply voltage ranges from 3.3 V to 5.0 V. Although featuring low power consumption, the active antenna still requires stable and clean power supplies. A reference design of the GNSS active antenna is shown below.

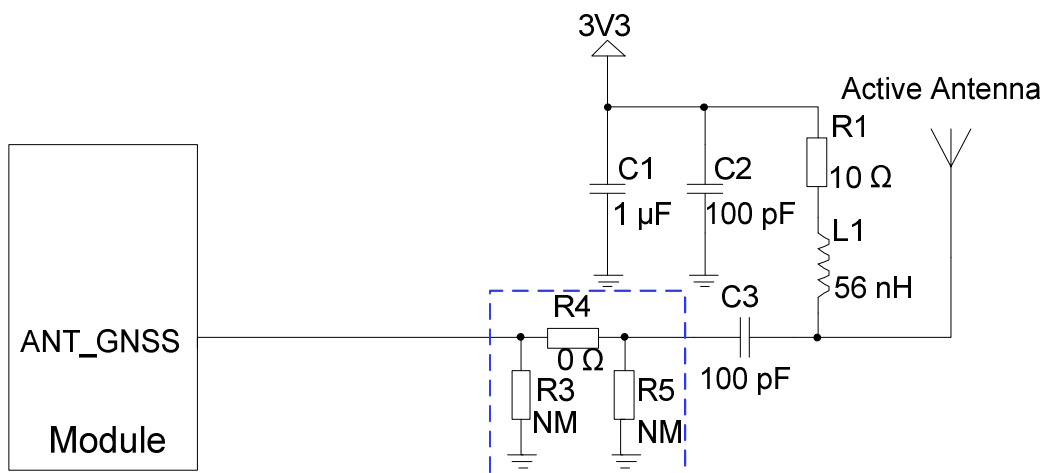


Figure 30: Reference Design for GNSS Active Antenna

NOTE

It is recommended to use a passive GNSS antenna when LTE B13 or B14 is supported, as the use of active antenna may generate harmonics which will affect the GNSS performance.

5.2.3.3. GNSS RF Design Guidelines

Improper design of antenna and layout may cause reduced GNSS receiving sensitivity, longer GNSS

positioning time, or reduced positioning accuracy. To avoid it, follow the reference design rules as below:

- Maximize the distance between the GNSS RF part and the GPRS RF part (including trace routing and antenna layout) to avoid mutual interference.
- In user systems, GNSS RF signal traces and RF components should be placed far away from high-speed circuits, switched-mode power supplies, power inductors, the clock circuit of single-chip microcomputers, etc.
- For harsh electromagnetic environment or a design that requires better ESD protection, diodes with ultra-low junction capacitance such as 0.5 pF can be selected and added in the antenna interface. Otherwise, there will be effects on the impedance characteristic of the RF circuit loop or attenuation of the bypass RF signal may be caused.
- Control the impedance of either feeder line or PCB trace to 50 Ω, and keep the trace length as short as possible.

5.3. Wi-Fi and Bluetooth

The module provides a shared antenna interface ANT_WIFI/BT for Wi-Fi and Bluetooth functions. The interface impedance is 50 Ω. You can connect external antennas such as PCB antenna, sucker antenna and ceramic antenna to the module via these interfaces to achieve Wi-Fi and Bluetooth functions.

The following tables show the pin definition and frequency specification of the Wi-Fi/Bluetooth antenna interface.

Table 42: Pin Definition of Wi-Fi/Bluetooth Interfaces

Pin Name	Pin No.	I/O	Description	Comment
ANT_WIFI/BT	129	AIO	Wi-Fi/Bluetooth antenna interface	50 Ω characteristic impedance.

Table 43: Wi-Fi/Bluetooth Frequency

Type	Frequency	Unit
Wi-Fi 802.11a/b/g/n/ac	2412–2462 5180–5825	MHz
BLE 5.0	2402–2480	MHz

5.3.1. Wi-Fi Overview

The module supports 2.4 GHz and 5 GHz dual-band Wi-Fi wireless communication based on IEEE 802.11a/b/g/n/ac standard protocols. The maximum data rate is up to 433 Mbps. The features are as below:

- Supports Wake-on-WLAN (WoWLAN)
- Supports ad hoc mode
- Supports WAPI SMS4 hardware encryption
- Support AP and STA modes
- Supports Wi-Fi Direct
- Support MCS 0–7 for HT20 and HT40
- Support MCS 0–8 for VHT20
- Support MCS 0–9 for VHT40 and VHT80

The following table lists the Wi-Fi transmitting and receiving performance of the module.

NOTE

The product conforms to the IEEE specifications.

5.3.2. Bluetooth Overview

The module supports Bluetooth 5.0 (BR/EDR + BLE) specification, as well as GFSK, 8-DPSK, $\pi/4$ -DQPSK modulation modes.

- Maximally supports up to 7 lanes of wireless connections.
- Maximally supports up to 3.5 piconets at the same time.
- Support one SCO or eSCO connection.

The BR/EDR channel bandwidth is 1 MHz, and can accommodate 79 channels. The BLE channel bandwidth is 2 MHz, and can accommodate 40 channels.

Table 44: Bluetooth Data Rate and Version

Version	Rate	Maximum Application Throughput
1.2	1 Mbit/s	> 80 kbit/s

2.0 + EDR	3 Mbit/s	> 80 kbit/s
3.0 + HS	24 Mbit/s	Reference 3.0 + HS
4.0	24 Mbit/s	Reference 4.0 LE
5.0	48 Mbit/s	Reference 5.0 LE

Reference specifications are listed below:

- *Bluetooth Radio Frequency TSS and TP Specification 1.2/2.0/2.0 + EDR/2.1/2.1+ EDR/3.0/3.0 + HS, August 6, 2009*
- *Bluetooth Low Energy RF PHY Test Specification, RF-PHY.TS/4.0.0, December 15, 2009*
- *Bluetooth 5.0 RF-PHY Cover Standard: RF-PHY.TS.5.0.0, December 06, 2016*

5.3.3. Reference Design

A reference design for Wi-Fi/Bluetooth antenna interface is shown as below. Capacitors are not mounted by default and the resistor is 0 Ω.

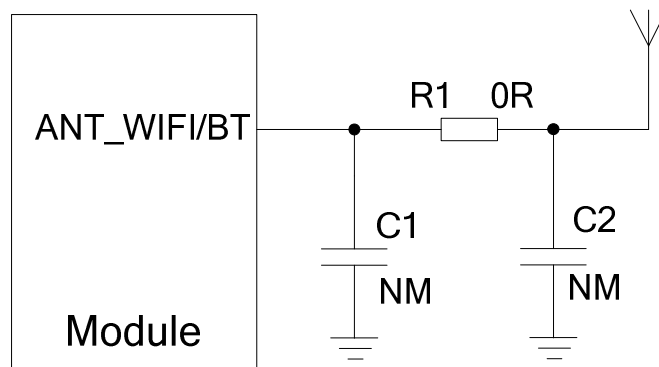


Figure 31: Reference Design for Wi-Fi/Bluetooth Antenna

5.4. RF Routing Guidelines

When designing PCB, characteristic impedance of all RF traces should be controlled to 50 Ω. Generally, the impedance of RF traces is determined by materials’ dielectric constant, trace width (W), spacing between RF traces and grounds (S) and height from the reference ground to the signal layer (H). Microstrip or coplanar waveguide is typically used in RF layout to control characteristic impedance. The following are reference designs of microstrip or coplanar waveguide with different PCB structures when

characteristic impedance of RF traces is controlled to 50 Ω.

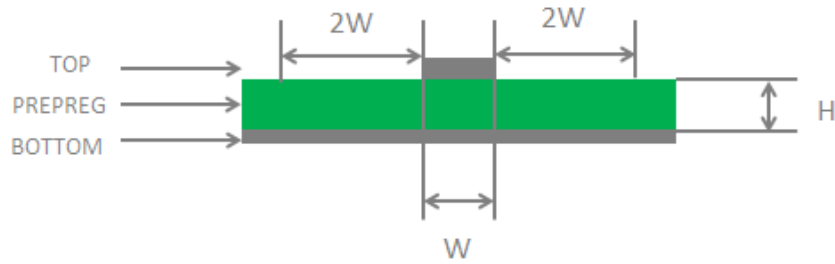


Figure 32: Microstrip Design on a 2-layer PCB

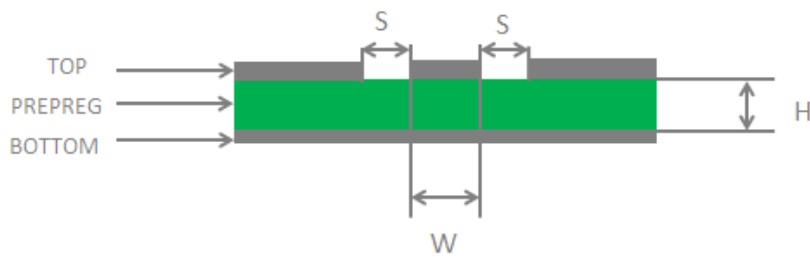


Figure 33: Coplanar Waveguide Design on a 2-layer PCB

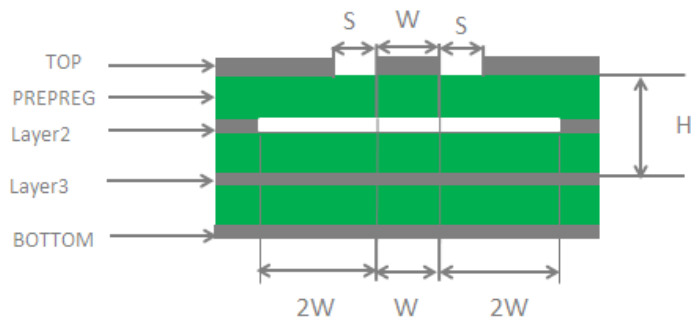


Figure 34: Coplanar Waveguide Design on a 4-layer PCB (Layer 3 as Reference Ground)

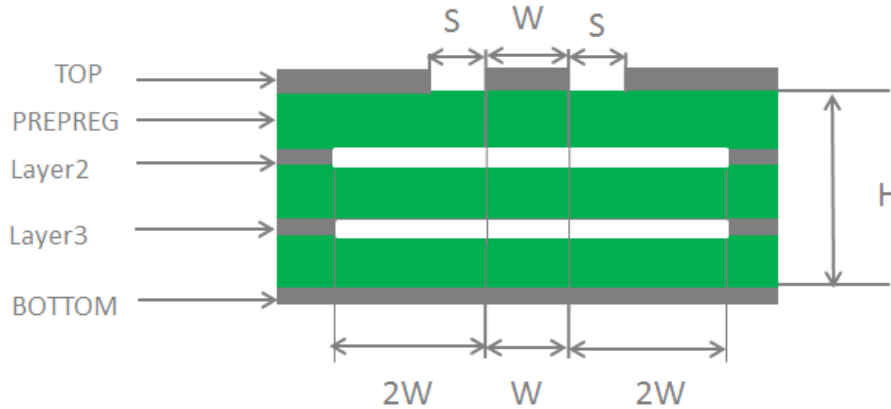


Figure 35: Coplanar Waveguide Design on a 4-layer PCB (Layer 4 as Reference Ground)

To ensure better RF performance and reliability, the following conditions should be complied with in RF layout design:

- Use an impedance simulation tool to accurately control the characteristic impedance of RF traces to 50 Ω.
- GND pins adjacent to RF pins should not be designed as thermal relief pads, and should be fully connected to ground.
- Clearance between RF pins and RF connector should be as short as possible, and all right-angle (90°) traces should be changed to the ones with the angle of 135°.
- There should be clearance under the signal pin of the antenna connector or solder joint.
- The reference ground of RF traces should be complete. Meanwhile, ground vias around RF traces and the reference ground can improve RF performance. The clearance between ground vias and RF traces should be at least twice the width of RF signal traces (2 × W).
- Keep RF traces away from interference sources, and avoid intersection and paralleling between any traces on adjacent layers.

For more details about RF layout, see **document [4]**.

5.5. Antenna Design Requirement

Requirements for antenna design are as follow:

Table 45: Requirements for Antenna Design

Antenna Type	Requirements
GNSS	<ul style="list-style-type: none"> ● Frequency range: 1559–1609 MHz

	<ul style="list-style-type: none"> ● Polarization Type: RHCP or linear ● VSWR: ≤ 2 (Typ.) <p>For passive antenna usage: Passive antenna gain: > 0 dBi</p> <p>For active antenna usage: Passive antenna gain: > 0 dBi Active antenna noise figure: < 1.5 dB Typ. Active antenna gain: > -2 dBi Active antenna embedded LNA gain: < 17 dB Typ. Active Antenna Embedded LNA Gain: < 0 dBi (Typ.)</p>
GSM/UMTS/LTE	<ul style="list-style-type: none"> ● VSWR: ≤ 2 ● Gain: 1 dBi ● Max Input Power: 50 W ● Input Impedance: 50 Ω ● Polarization Type: Vertical ● Cable Insertion Loss: <ul style="list-style-type: none"> < 1 dB: LB (< 1 GHz) < 1.5 dB: MB (1–2.3 GHz) < 2 dB: HB (> 2.3 GHz)
Wi-Fi/Bluetooth	<ul style="list-style-type: none"> ● VSWR: ≤ 2 ● Gain: 1 dBi ● Max Input Power: 50 W ● Input Impedance: 50 Ω ● Polarization Type: Vertical ● Cable Insertion Loss: < 1 dB

5.6. RF Connector Recommendation

If you use an RF connector for antenna connection, it is recommended to use the U.FL-R-SMT connector provided by Hirose.

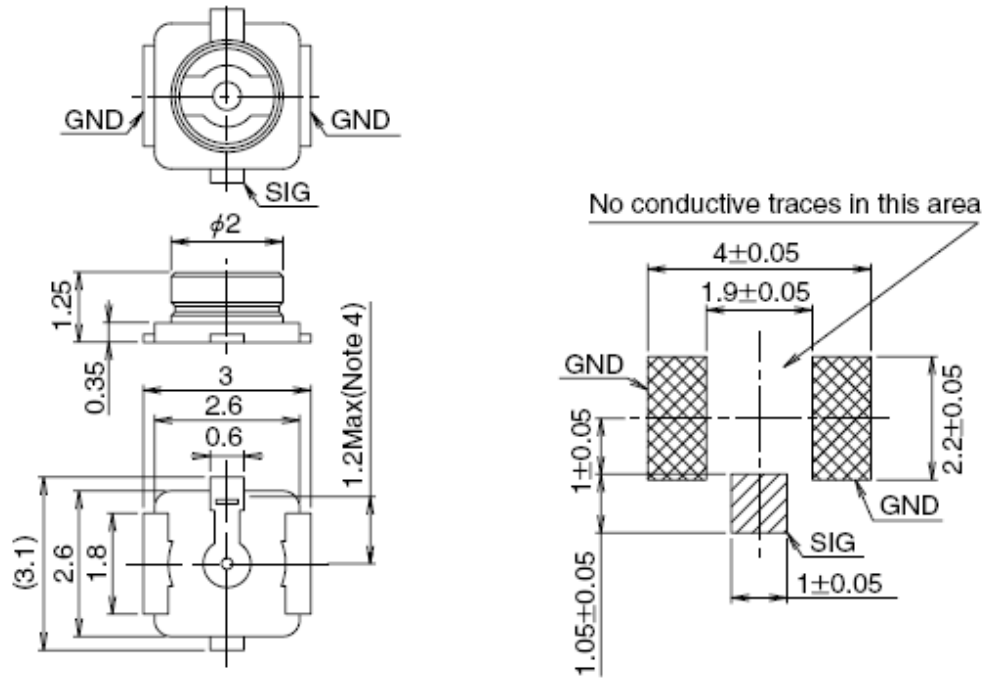


Figure 36: Dimensions of the Receptacle (Unit: mm)

U.FL-LP series connectors listed in the following figure can be used to match the U.FL-R-SMT.

	U.FL-LP-040	U.FL-LP-066	U.FL-LP(V)-040	U.FL-LP-062	U.FL-LP-088
Part No.					
Mated Height	2.5mm Max. (2.4mm Nom.)	2.5mm Max. (2.4mm Nom.)	2.0mm Max. (1.9mm Nom.)	2.4mm Max. (2.3mm Nom.)	2.4mm Max. (2.3mm Nom.)
Applicable cable	Dia. 0.81mm Coaxial cable	Dia. 1.13mm and Dia. 1.32mm Coaxial cable	Dia. 0.81mm Coaxial cable	Dia. 1mm Coaxial cable	Dia. 1.37mm Coaxial cable
Weight (mg)	53.7	59.1	34.8	45.5	71.7
RoHS	YES				

Figure 37: Specifications of Mated Plugs (Unit: mm)

The following figure describes the space factor of mated connectors.

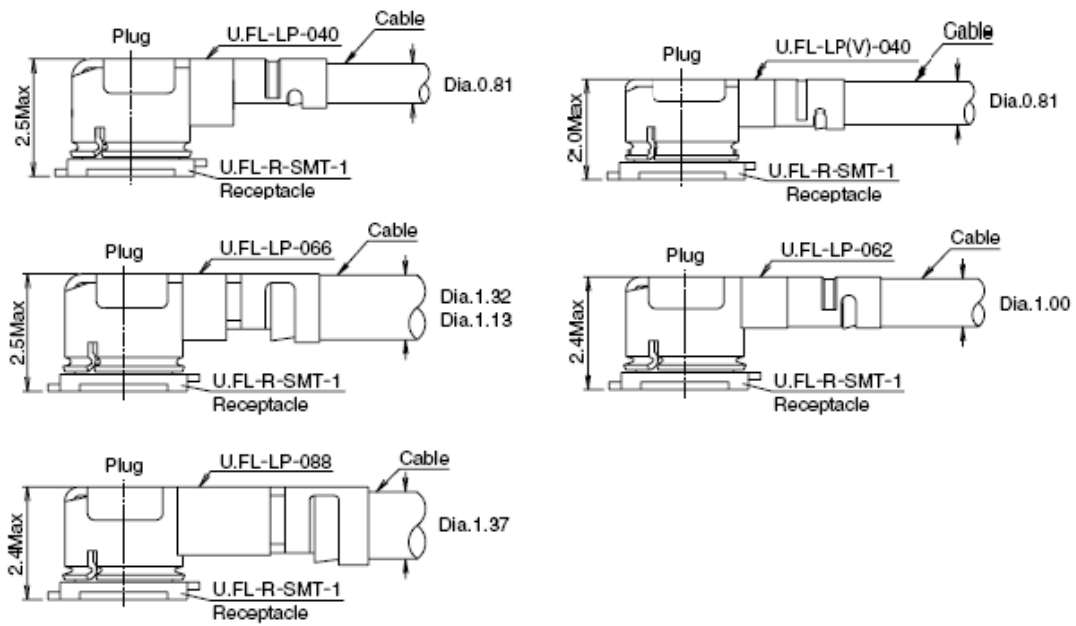


Figure 38: Space Factor of Mated Connectors (Unit: mm)

Please visit <http://www.hirose.com> for more information.

6 Electrical Characteristics and Reliability

6.1. Absolute Maximum Ratings

Absolute maximum ratings for power supply and voltage on digital and analog pins of the module is listed in the following table.

Table 46: Absolute Maximum Ratings

Parameter	Min.	Max.	Unit
VBAT	-0.3	4.75	V
USB_VBUS	-0.3	16	V
Peak Current of VBAT	-	3	A
Voltage on Digital Pins	-0.3	2.04	V

6.2. Power Supply Ratings

Table 47: The Module’s Power Supply Ratings

Parameter	Description	Conditions	Min.	Typ.	Max.	Unit
VBAT	VBAT	The actual input voltages must stay between the minimum and maximum values	3.55	3.8	4.4	V
I _{VBAT}	Peak supply current	Maximum power control level	-	1.8	3.0	A

USB_VBUS	USB connection detect	4.0	5.0	6.0	V
VRTC	Power supply voltage of the backup battery	2.1	3.0	3.25	V

6.3. Power consumption

Table 48: SC668S-EM & SC696S-EM* Power Consumption

Description	Conditions	Typ.	Unit
OFF state	Power down	100	μA
Sleep state	Screen out	5.5	mA
GSM/GPRS supply current Sleep state (USB disconnected)	EGSM900 CH62 @ DRX = 2	5.3	mA
	EGSM900 CH62 @ DRX = 5	4.5	mA
	EGSM900 CH62 @ DRX = 9	4.2	mA
	DCS1800 698 @ DRX = 2	5.4	mA
	DCS1800 698 @ DRX = 5	4.5	mA
	DCS1800 698 @ DRX = 9	4.2	mA
WCDMA supply current Sleep state (USB disconnected)	WCDMA PF = 64	4.3	mA
	WCDMA PF = 128	3.8	mA
	WCDMA PF = 256	3.5	mA
	WCDMA PF = 512	3.4	mA
LTE-FDD supply current Sleep state (USB disconnected)	LTE-FDD PF = 32	5.7	mA
	LTE-FDD PF = 64	4.5	mA
	LTE-FDD PF = 128	3.8	mA
	LTE-FDD PF = 256	3.5	mA
LTE-TDD supply current Sleep state (USB disconnected)	LTE-TDD PF = 32	5.8	mA
	LTE-TDD PF = 64	4.5	mA

	LTE-TDD PF = 128	3.8	mA
	LTE-TDD PF = 256	3.5	mA
WCDMA voice call	B1 @ max power	573	mA
	B2 @ max power	591	mA
	B4 @ max power	534	mA
	B5 @ max power	560	mA
	B8 @ max power	547	mA
GPRS data transfer	GSM850 @ 1DL 4UL	586	mA
	GSM900 @ 1DL 4UL	587	mA
	DCS1800 @ 1DL 4UL	429	mA
	PCS1900 @ 1DL 4UL	421	mA
EDGE data transfer	GSM850 @ 1DL 4UL	543	mA
	GSM900 @ 1DL 4UL	544	mA
	DCS1800 @ 1DL 4UL	469	mA
	PCS1900 @ 1DL 4UL	469	mA
LTE data transfer	LTE-FDD B1 @ max power	613	mA
	LTE-FDD B2 @ max power	624	mA
	LTE-FDD B3 @ max power	610	mA
	LTE-FDD B4 @ max power	585	mA
	LTE-FDD B5 @ max power	594	mA
	LTE-FDD B7 @ max power	675	mA
	LTE-FDD B8 @ max power	592	mA
	LTE-FDD B20 @ max power	636	mA
	LTE-FDD B28 @ max power	624	mA
LTE-TDD B38 @ max power	337	mA	
	LTE-TDD B39 @ max power	316	mA

	LTE-TDD B40 @ max power	335	mA
	LTE-TDD B41 @ max power	344	mA
GSM voice call	GSM850 @ PCL 5	279	mA
	GSM900 @ PCL 5	288	mA
	DCS1800 @ PCL 0	207	mA
	PCS1900 @ PCL 0	205	mA
WCDMA data transfer	B1 (HSDPA) @ max power	563	mA
	B2 (HSDPA) @ max power	588	mA
	B4 (HSDPA) @ max power	526	mA
	B5 (HSDPA) @ max power	546	mA
	B8 (HSDPA) @ max power	534	mA
	B1 (HSUPA) @ max power	558	mA
	B2 (HSUPA) @ max power	606	mA
	B4 (HSUPA) @ max power	547	mA
	B5 (HSUPA) @ max power	563	mA
	B8 (HSUPA) @ max power	550	mA

Table 49: SC668S-NA & SC696S-NA* Power Consumption

Description	Conditions	Typ.	Unit
OFF state	Power down	100	μA
Sleep state	Screen out	5.5	mA
LTE-FDD supply current Sleep state (USB disconnected)	LTE-FDD PF = 32	5.77	mA
	LTE-FDD PF = 64	4.41	mA
	LTE-FDD PF = 128	3.82	mA
	LTE-FDD PF = 256	3.55	mA
LTE-TDD supply current	LTE-TDD PF = 32	5.64	mA

Sleep state (USB disconnected)	LTE-TDD PF = 64	4.62	mA
	LTE-TDD PF = 128	3.83	mA
	LTE-TDD PF = 256	3.45	mA
LTE data transfer	LTE-FDD B2 @ max power	626	mA
	LTE-FDD B4 @ max power	605	mA
	LTE-FDD B5 @ max power	570	mA
	LTE-FDD B7 @ max power	737	mA
	LTE-FDD B12 @ max power	667	mA
	LTE-FDD B13 @ max power	682	mA
	LTE-FDD B14 @ max power	585	mA
	LTE-FDD B17 @ max power	581	mA
	LTE-FDD B25 @ max power	601	mA
	LTE-FDD B26 @ max power	582	mA
	LTE-FDD B66 @ max power	631	mA
	LTE-FDD B71 @ max power	664	mA
	LTE-TDD B41 @ max power	398	mA

NOTE

The power consumption parameters of SC696S series module have not been tested yet, and all the data mentioned above are tested based on SC668S series.

6.4. Digital I/O Characteristics

Table 50: 1.8 V I/O Requirements

Parameter	Description	Min.	Max.	Unit
V _{IH}	High-level input voltage	1.17	2.1	V

V_{IL}	Low-level input voltage	-0.3	0.63	V
V_{OH}	High-level output voltage	1.35	1.8	V
V_{OL}	Low-level output voltage	0	0.45	V

Table 51: (U)SIM 1.8 V I/O Requirements

Parameter	Description	Min.	Max.	Unit
USIM_VDD	Power supply	1.7	1.9	V
V_{IH}	High-level input voltage	1.26	2.1	V
V_{IL}	Low-level input voltage	-0.3	0.36	V
V_{OH}	High-level output voltage	1.44	1.8	V
V_{OL}	Low-level output voltage	0	0.4	V

Table 52: (U)SIM 2.95 V I/O Requirements

Parameter	Description	Min.	Max.	Unit
USIM_VDD	Power supply	2.7	3.03	V
V_{IH}	High-level input voltage	2.07	3.25	V
V_{IL}	Low-level input voltage	-0.3	0.59	V
V_{OH}	High-level output voltage	2.36	2.95	V
V_{OL}	Low-level output voltage	0	0.4	V

Table 53: SD Card 1.8 V I/O Requirements

Parameter	Description	Min.	Max.	Unit
SD_VDD	Power supply	1.7	1.9	V
V_{IH}	High-level input voltage	1.27	2	V
V_{IL}	Low-level input voltage	-0.3	0.58	V

V_{OH}	High-level output voltage	1.4	1.8	V
V_{OL}	Low-level output voltage	0	0.45	V

Table 54: SD Card 2.95 V I/O Requirements

Parameter	Description	Min.	Max.	Unit
SD_VDD	Power supply	2.7	3.1	V
V_{IH}	High-level input voltage	1.84	3.25	V
V_{IL}	Low-level input voltage	-0.3	0.74	V
V_{OH}	High-level output voltage	2.21	2.95	V
V_{OL}	Low-level output voltage	0	0.37	V

6.5. ESD Protection

Static electricity occurs naturally and it may damage the module. Therefore, applying proper ESD countermeasures and handling methods is imperative. For example, wear anti-static gloves during the development, production, assembly and testing of the module; add ESD protection components to the ESD sensitive interfaces and points in the product design.

Table 55: Electrostatic Discharge Characteristics (Temperature: 25–30 °C, Humidity: 40 ±5 %)

Tested Interfaces	Contact Discharge	Air Discharge	Unit
VBAT & GND	±5	±10	kV
Antenna Interfaces	±5	±10	kV
Other Interfaces	±0.5	±1	kV

6.6. Operating and Storage Temperatures

Table 56: Operating and Storage Temperatures

Parameter	Min.	Typ.	Max.	Unit
Operating Temperature Range ⁵	-35	+25	+75	°C
Storage temperature range	-40	-	+90	°C

⁵ Within operating temperature range, the module is 3GPP compliant.

7 Mechanical Information

This chapter describes the mechanical dimensions of the module. All dimensions are measured in millimeter (mm), and the tolerances for dimensions without tolerance values are ± 0.2 mm.

7.1. Mechanical Dimensions

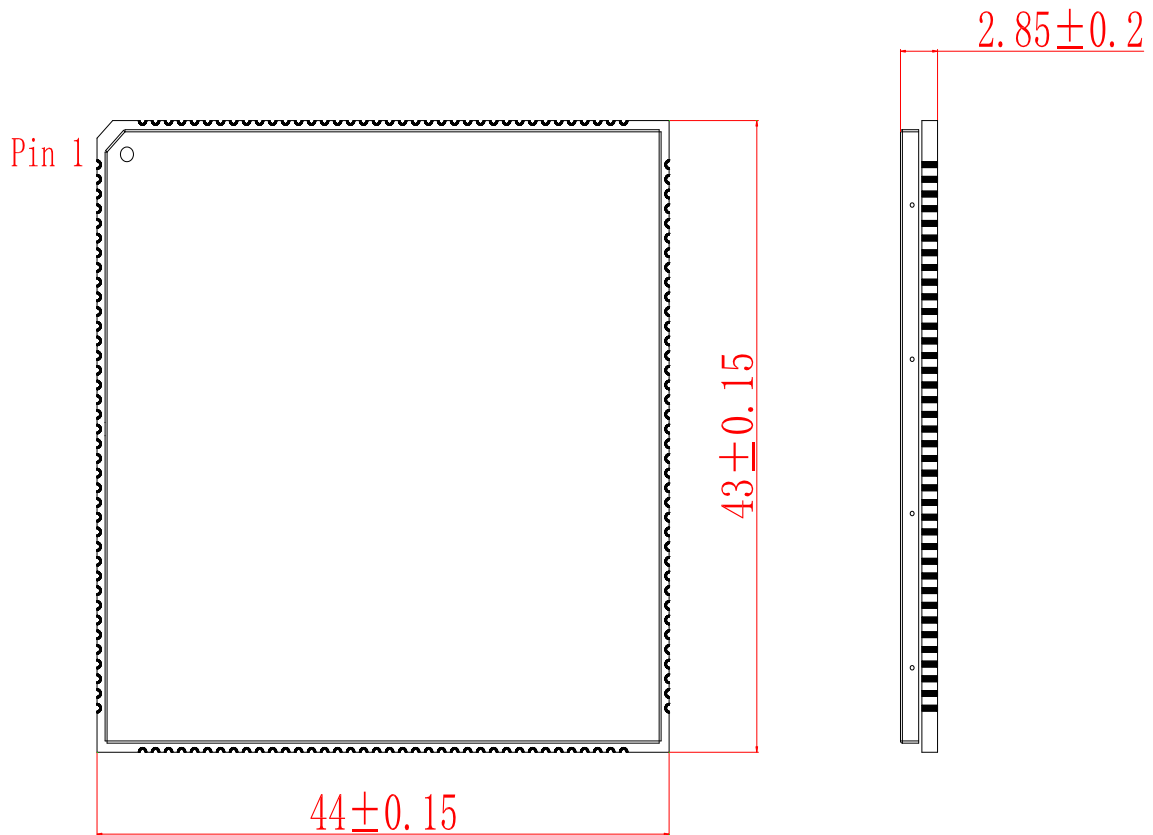


Figure 39: Module Top and Side Dimensions (Unit: mm)

7.2. Recommended Footprint

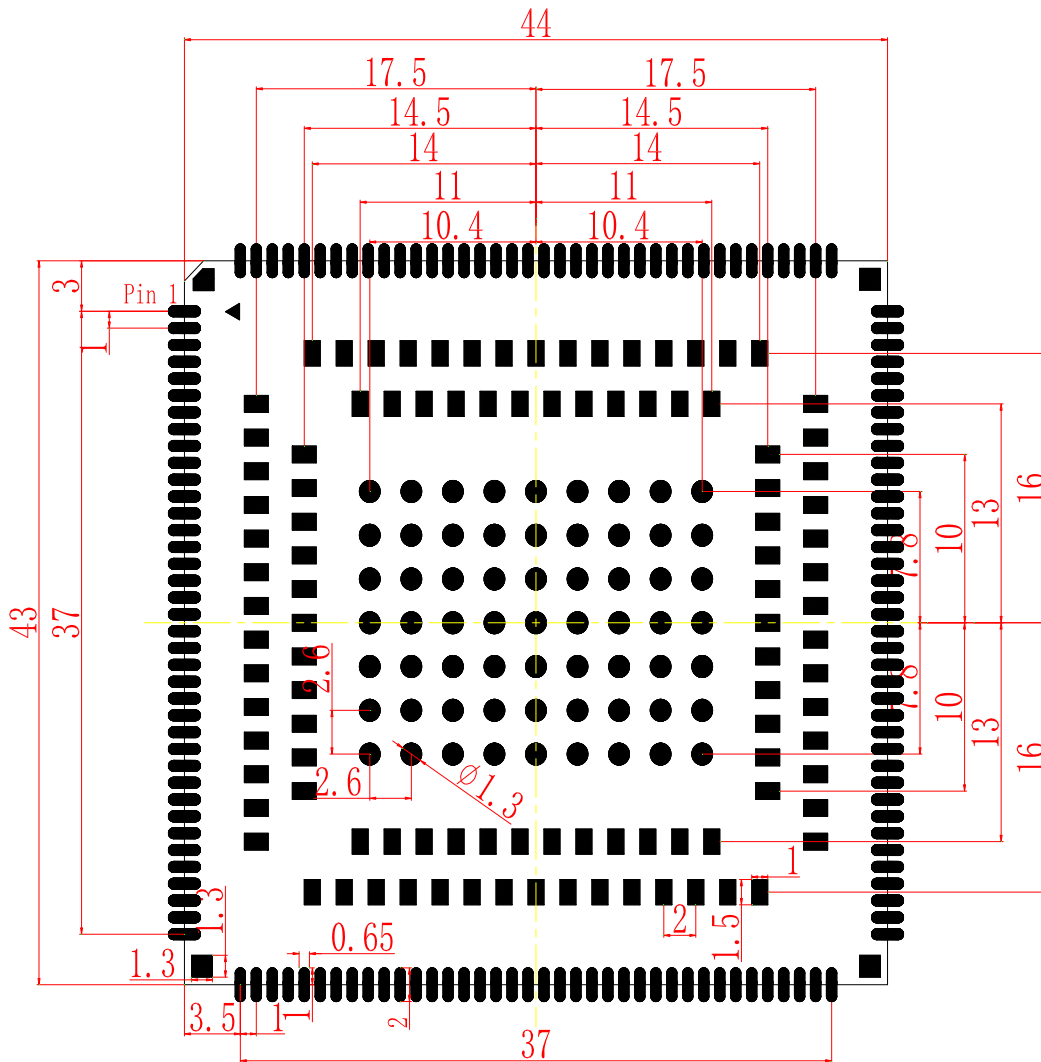


Figure 41: Recommended Footprint

NOTE

1. Keep at least 3 mm between the module and other components on the motherboard to improve soldering quality and maintenance convenience.
2. All RESERVED pins should be kept open and MUST NOT be connected to ground.

7.3. Top and Bottom Views



Figure 42: Top and Bottom Views of SC668S Series



Figure 43: Top and Bottom Views of SC696S Series

NOTE

Images above are for illustration purpose only and may differ from the actual module. For authentic appearance and label, please refer to the module received from Quectel.

8 Storage, Manufacturing & Packaging

8.1. Storage Conditions

The module is provided with vacuum-sealed packaging. MSL of the module is rated as 3. The storage requirements are shown below.

1. Recommended Storage Condition: the temperature should be 23 ± 5 °C and the relative humidity should be 35–60 %.
2. Shelf life (in a vacuum-sealed packaging): 12 months in Recommended Storage Condition.
3. Floor life: 168 hours ⁶ in a factory where the temperature is 23 ± 5 °C and relative humidity is below 60 %. After the vacuum-sealed packaging is removed, the module must be processed in reflow soldering or other high-temperature operations within 168 hours. Otherwise, the module should be stored in an environment where the relative humidity is less than 10 % (e.g., a dry cabinet).
4. The module should be pre-baked to avoid blistering, cracks and inner-layer separation in PCB under the following circumstances:
 - The module is not stored in Recommended Storage Condition;
 - Violation of the third requirement mentioned above;
 - Vacuum-sealed packaging is broken, or the packaging has been removed for over 24 hours;
 - Before module repairing.
5. If needed, the pre-baking should follow the requirements below:
 - The module should be baked for 8 hours at 120 ± 5 °C;
 - The module must be soldered to PCB within 24 hours after the baking, otherwise it should be put in a dry environment such as in a dry cabinet.

⁶ This floor life is only applicable when the environment conforms to *IPC/JEDEC J-STD-033*. It is recommended to start the solder reflow process within 24 hours after the package is removed if the temperature and moisture do not conform to, or are not sure to conform to *IPC/JEDEC J-STD-033*. Do not unpack the modules in large quantities until they are ready for soldering.

NOTE

1. To avoid blistering, layer separation and other soldering issues, extended exposure of the module to the air is forbidden.
2. Take out the module from the package and put it on high-temperature-resistant fixtures before baking. If shorter baking time is desired, see *IPC/JEDEC J-STD-033* for the baking procedure.
3. Pay attention to ESD protection, such as wearing anti-static gloves, when touching the modules.

8.2. Manufacturing and Soldering

Push the squeegee to apply the solder paste on the surface of stencil, thus making the paste fill the stencil openings and then penetrate to the PCB. Apply proper force on the squeegee to produce a clean stencil surface on a single pass. To guarantee module soldering quality, the thickness of stencil for the module is recommended to be 0.18–0.20 mm. For more details, see **document [5]**.

The recommended peak reflow temperature should be 235–246 °C, with 246 °C as the absolute maximum reflow temperature. To avoid damage to the module caused by repeated heating, it is strongly recommended that the module should be mounted only after reflow soldering for the other side of PCB has been completed. The recommended reflow soldering thermal profile (lead-free reflow soldering) and related parameters are shown below.

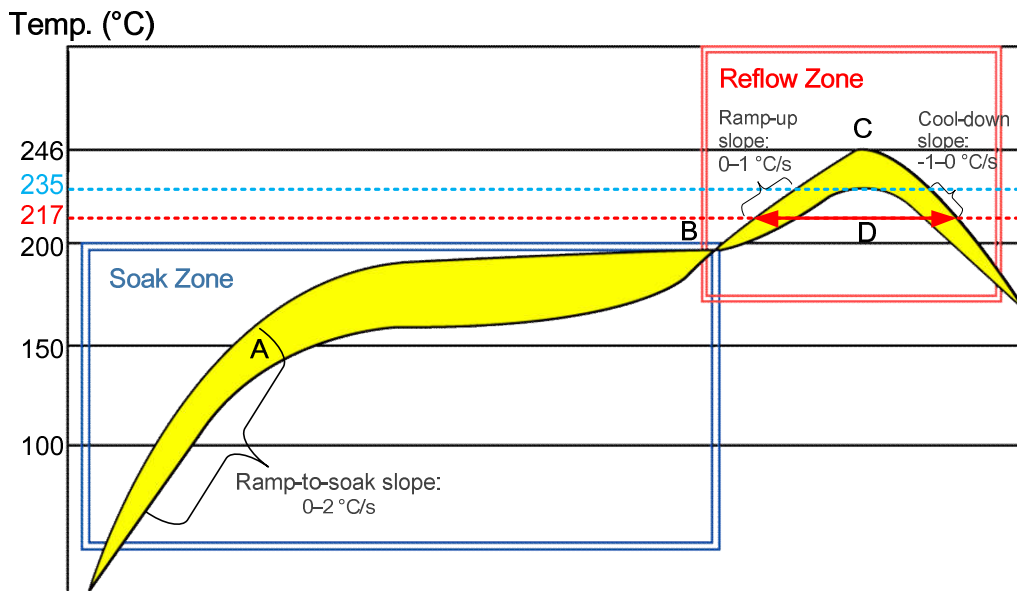


Figure 44: Recommended Reflow Soldering Thermal Profile

Table 57: Recommended Thermal Profile Parameters

Factor	Recommended Value
Soak Zone	
Ramp-to-soak slope	0–2 °C/s
Soak time (between A and B: 150 °C and 200 °C)	70–120 s
Reflow Zone	
217–235 °C ramp-up slope	0–1 °C/s
Reflow time (D: over 217°C)	40–65 s
Max temperature	235–246 °C
235–217 °C cool-down slope	-1–0 °C/s
Reflow Cycle	
Max reflow cycle	1

NOTE

1. The above profile parameter requirements are for the measured temperature of the solder joints. Both the hottest and coldest spots of solder joints on the PCB should meet the above requirements.
2. Due to the large-size form factor, to avoid excessive temperature change, which may cause excessive thermal deformation of the metal shielding frame and cover, it is recommended to reduce the ramp-up and cool-down slopes in the liquid phase of the solder paste. If possible, please choose a reflow oven with more than 10 temperature zones during production so that there are more temperature zones to set up to meet the optimal temperature curve.
3. If a conformal coating is necessary for the module, do NOT use any coating material that may chemically react with the PCB or shielding cover, and prevent the coating material from flowing into the module.
4. Avoid using ultrasonic technology for module cleaning since it can damage crystals inside the module.
5. Due to the complexity of the SMT process, please contact Quectel Technical Supports in advance for any situation that you are not sure about, or any process (e.g., selective soldering, ultrasonic soldering) that is not mentioned in **document [5]**.

8.3. Packaging Specification

This chapter describes only the key parameters and process of packaging. All figures below are for reference only. The appearance and structure of the packaging materials are subject to the actual delivery.

The module adopts carrier tape packaging and details are as follow:

8.3.1. Carrier Tape

Dimension details are as follow:

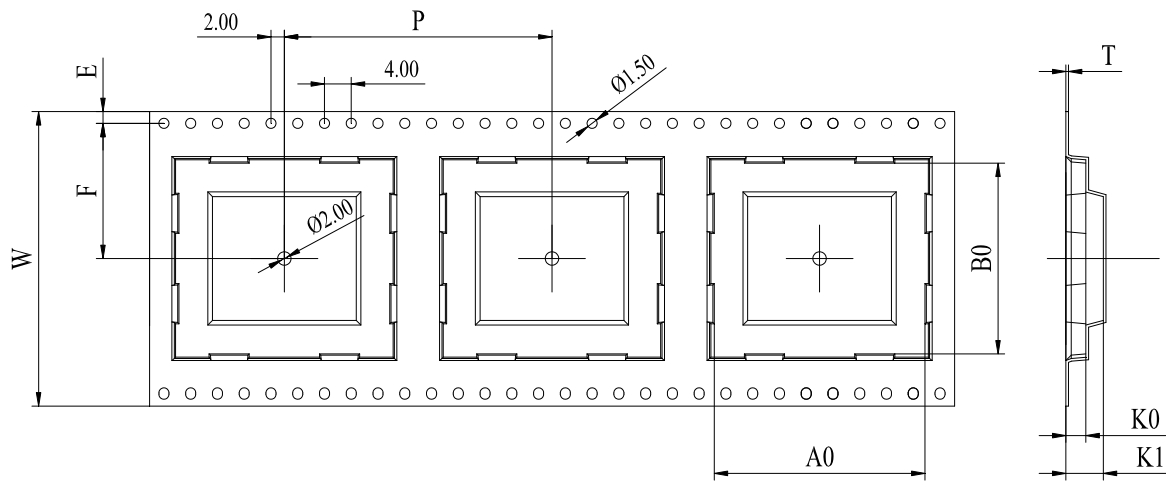


Figure 45: Carrier Tape Dimension Drawing

Table 58: Carrier Tape Dimension Table (Unit: mm)

W	P	T	A0	B0	K0	K1	F	E
72	56	0.35	44.5	43.5	4.1	5.4	34.2	1.75

8.3.2. Plastic Reel

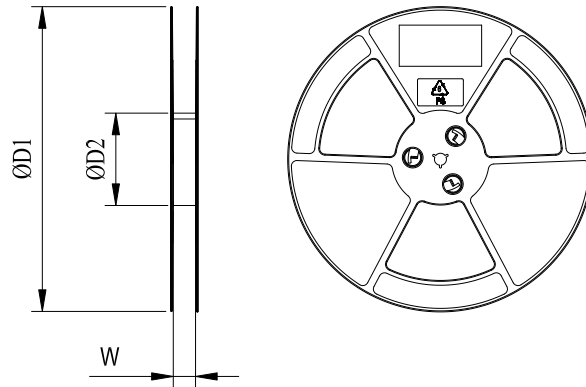


Figure 46: Plastic Reel Dimension Drawing

Table 59: Plastic Reel Dimension Table (Unit: mm)

øD1	øD2	W
380	180	72.5

8.3.3. Mounting Direction

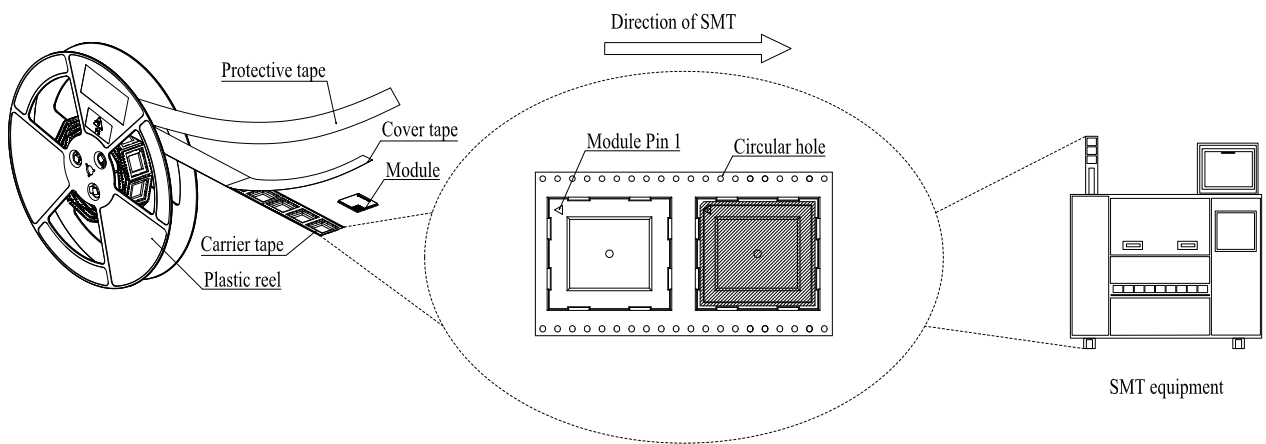
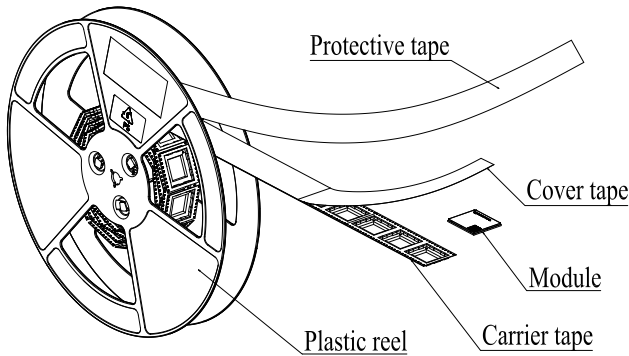


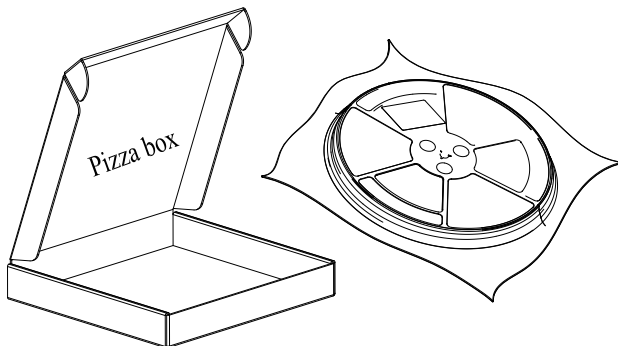
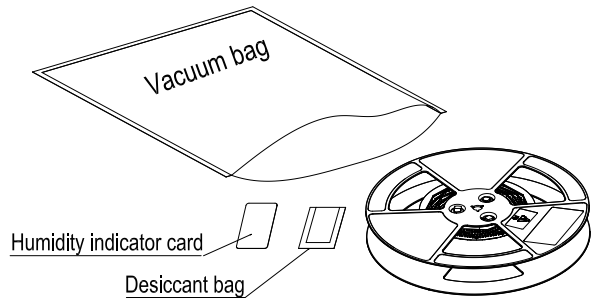
Figure 47: Mounting Direction

8.3.4. Packaging Process



Place the module into the carrier tape and use the cover tape to cover it; then wind the heat-sealed carrier tape to the plastic reel and use the protective tape for protection. 1 plastic reel can load 200 modules.

Place the packaged plastic reel, 1 humidity indicator card and 1 desiccant bag into a vacuum bag, vacuumize it.



Place the vacuum-packed plastic reel into the pizza box.

Put 4 packaged pizza boxes into 1 carton box and seal it. 1 carton box can pack 800 modules.

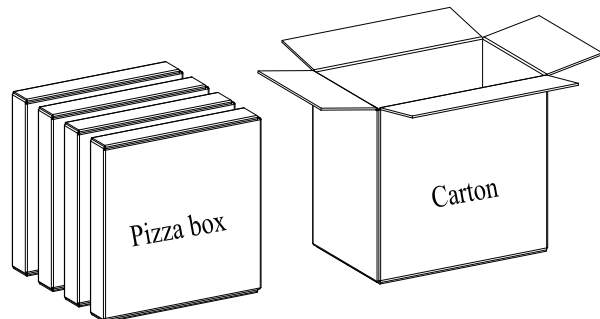


Figure 48: Packaging Process

9 Appendix References

Table 60: Related Documents

Document Name
[1] Quectel_SC668S&SC696S_Series_GPIO_Configuration
[2] Quectel_Smart_EVB_G5_User_Guide
[3] Quectel_SC668S&SC696S_Series_DisplayPort_Application_Note
[4] Quectel_RF_Layout_Application_Note
[5] Quectel_Module_SMT_Application_Note

Table 61: Terms and Abbreviations

Abbreviation	Description
3GPP	3rd Generation Partnership Project
ADC	Analog-to-Digital Converter
aDSP	Audio Digital Signal Processor
AMR	Adaptive Multi-rate
ANT	Antenna
AP	Access Point/Application Processor
BLE	Bluetooth Low Energy
bps	Bits per Second
BR	Basic Rate
CS	Coding Scheme

CSD	Circuit Switched Data
CSI	Camera Serial Interface
CTS	Clear to Send
DL	Downlink
DRX	Discontinuous Reception
DSI	Display Serial Interface
DSP	Digital Signal Processing/Digital Signal Processor
EDGE	Enhanced Data Rate for GSM Evolution
EDR	Enhanced Data Rate
EFR	Enhanced Full Rate
EGSM	Extended GSM900 band (including standard GSM900 band)
EMI	Electromagnetic Interference
eMMC	Embedded Multimedia Card
eSCO	Extended Synchronous Connection Oriented
ESD	Electrostatic Discharge
ESR	Equivalent Series Resistance
ETSI	European Telecommunications Standards Institute
EVB	Evaluation Board
EVRC	Enhanced Variable Rate Codec
FDD	Frequency Division Duplex
FR	Full Rate
GLONASS	Global Navigation Satellite System (Russia)
GMSK	Gaussian Minimum Shift Keying
GPIO	General Purpose Input/Output
GPS	Global Positioning System

GPRS	General packet radio service
GPU	Graphics Processing Unit
GSM	Global System for Mobile Communications
GNSS	Global Navigation Satellite System
GRFC	Generic RF Control
HR	Half Rate
HSDPA	High Speed Down Link Packet Access
HSPA	High Speed Packet Access
HEVC	High Efficiency Video Coding
I2C	Inter-Integrated Circuit
I2S	Inter-IC Sound
IEEE	Institute of Electrical and Electronics Engineers
I/O	Input/Output
I _{max}	Maximum Load Current
I _o max	Maximum Output Load Current
IMT-2000	International Mobile Telecom System-2000
LCC	Leadless Chip Carrier (package)
LCD	Liquid Crystal Display
LCM	LCD Module
LDO	Low Dropout Regulator
LGA	Land Grid Array
LNA	Low Noise Amplifier
LTE	Long-Term Evolution
M2M	Machine to Machine
MCU	Microcontroller Unit/Microprogrammed Control Unit

MIMO	Multi-input Multi-output
MIPI	Mobile Industry Processor Interface
MP	Million Pixel
MSL	Moisture Sensitivity Levels
OTA	Over-the-Air Technology
OTG	On-The-Go
PCB	Printed Circuit Board
PDA	Personal Digital Assistant
PDU	Protocol Data Unit
PHY	Physical
PMU	Power Management Unit
POS	Point of Sale
PSK	Phase Shift Keying
PWDN	Power Down
PWM	Pulse Width Modulation
PWRKEY	Power Key
QAM	Quadrature Amplitude Modulation
QPSK	Quadrature Phase Shift Keying
RF	Radio Frequency
RTC	Real Time Clock
RTS	Request to Send
RX	Receive
SCO	Synchronous Connection Oriented link
SD	Secure Digital
SMS	Short Message Service

SMT	Surface Mount Technology
SPI	Serial Peripheral Interface
STA	Station
TDD	Time Division Distortion
TE	Tearing Effect
TP	Touch Panel
TVS	Transient Voltage Suppressor
TX	Transmit
UART	Universal Asynchronous Receiver & Transmitter
UL	Uplink
UMTS	Universal Mobile Telecommunications System
(U)SIM	(Universal) Subscriber Identity Module
USB	Universal Serial Bus
UVA	Unmanned Aerial Vehicle
V _{max}	Maximum Voltage
V _{min}	Minimum Voltage
V _{nom}	Nominal Voltage
V _{IH}	High-level Input Voltage
V _{IL}	Low-level Input Voltage
V _{OL}	Low-level Output Voltage
V _{OH}	High-level Output Voltage
VSWR	Voltage Standing Wave Ratio
WAPI	Wireless LAN Authentication and Privacy Infrastructure
WCDMA	Wideband Code Division Multiple Access
WLAN	Wireless Local Area Network

10 Warning statements

10.1. FCC

10.1.1. Important Notice to OEM integrators

1. This module is limited to OEM installation ONLY.
2. This module is limited to installation in mobile or fixed applications, according to Part 2.1091(b).
3. The separate approval is required for all other operating configurations, including portable configurations with respect to Part 2.1093 and different antenna configurations
4. For FCC Part 15.31 (h) and (k): The host manufacturer is responsible for additional testing to verify compliance as a composite system. When testing the host device for compliance with Part 15 Subpart B, the host manufacturer is required to show compliance with Part 15 Subpart B while the transmitter module(s) are installed and operating. The modules should be transmitting and the evaluation should confirm that the module's intentional emissions are compliant (i.e. fundamental and out of band emissions). The host manufacturer must verify that there are no additional unintentional emissions other than what is permitted in Part 15 Subpart B or emissions are complaint with the transmitter(s) rule(s). The Grantee will provide guidance to the host manufacturer for Part 15 B requirements if needed.

10.1.2. Important Note

notice that any deviation(s) from the defined parameters of the antenna trace, as described by the instructions, require that the host product manufacturer must notify to XXXX that they wish to change the antenna trace design. In this case, a Class II permissive change application is required to be filed by the USI, or the host manufacturer can take responsibility through the change in FCC ID (new application) procedure followed by a Class II permissive change application.

10.1.3. End Product Labeling

When the module is installed in the host device, the FCC/IC ID label must be visible through a window on the final device or it must be visible when an access panel, door or cover is easily re-moved. If not, a second label must be placed on the outside of the final device that contains the following text: "Contains FCC ID: XMR2023SC696SNA"

"Contains IC: 10224A-023SC696SNA"

The FCC ID/IC ID can be used only when all FCC/IC compliance requirements are met.

10.1.4. Antenna Installation

- (1) The antenna must be installed such that 20 cm is maintained between the antenna and users,
- (2) The transmitter module may not be co-located with any other transmitter or antenna.
- (3) Only antennas of the same type and with equal or less gains as shown below may be used with this module. Other types of antennas and/or higher gain antennas may require additional authorization for operation.

SC696S-NA: Dipole antenna		
Band	Frequency (MHz)	Gain (dBi)
LTE-FDD B2	1850-1910	1.59
LTE-FDD B4	1710-1755	2
LTE-FDD B5	824-849	2.53
LTE-FDD B7	2500-2570	3
LTE-FDD B12	699-716	3.95
LTE-FDD B13	777-787	4.45
LTE-FDD B14	788-798	4.45
LTE-FDD B17	704-716	3.95
LTE-FDD B25	1850-1915	1.59
LTE-FDD B26	814-849	2.53
LTE-FDD B41	2496-2690	3.60
LTE-FDD B66	1710-1780	2
LTE-FDD B71	663-698	1.32
Bluetooth	2402-2480	0.47
2.4G WIFI	2412-2462	0.47
5G WIFI U-NII-1	5150~5250 MHz	-0.67
5G WIFI U-NII-2A	5250~5350 MHz	-0.19
5G WIFI U-NII-2C	5470~5725 MHz	1.28
5G WIFI U-NII-3	5725~5850 MHz	1.1

In the event that these conditions cannot be met (for example certain laptop configurations or co-location with another transmitter), then the FCC/IC authorization is no longer considered valid and the FCC ID/IC ID cannot be used on the final product. In these circumstances, the OEM integrator will be responsible for re-evaluating the end product (including the transmitter) and obtaining a separate FCC/IC authorization.

10.1.5. Manual Information to the End User

The OEM integrator has to be aware not to provide information to the end user regarding how to install or remove this RF module in the user's manual of the end product which integrates this module. The end user manual shall include all required regulatory information/warning as show in this manual.

10.1.6. Federal Communication Commission Interference Statement

This device complies with Part 15 of the FCC Rules. Operation is subject to the following two conditions: (1) This device may not cause harmful interference, and (2) this device must accept any interference received, including interference that may cause undesired operation.

This equipment has been tested and found to comply with the limits for a Class B digital device, pursuant to Part 15 of the FCC Rules. These limits are designed to provide reasonable protection against harmful interference in a residential installation. This equipment generates, uses and can radiate radio frequency energy and, if not installed and used in accordance with the instructions, may cause harmful interference to radio communications. However, there is no guarantee that interference will not occur in a particular installation. If this equipment does cause harmful interference to radio or television reception, which can be determined by turning the equipment off and on, the user is encouraged to try to correct the interference by one of the following measures:

- Reorient or relocate the receiving antenna.
- Increase the separation between the equipment and receiver.
- Connect the equipment into an outlet on a circuit different from that to which the receiver is connected.
- Consult the dealer or an experienced radio/TV technician for help.

Any changes or modifications not expressly approved by the party responsible for compliance could void the user's authority to operate this equipment. This transmitter must not be co-located or operating in conjunction with any other antenna or transmitter.

10.1.7. List of applicable FCC rules

This module has been tested and found to comply with part 22, part 24, part 27, part 90, 15.247 and 15.407 requirements for Modular Approval.

The modular transmitter is only FCC authorized for the specific rule parts (i.e., FCC transmitter rules) listed on the grant, and that the host product manufacturer is responsible for compliance to any other FCC rules that apply to the host not covered by the modular transmitter grant of certification. If the grantee markets their product as being Part 15 Subpart B compliant (when it also contains unintentional-radiator digital circuitry), then the grantee shall provide a notice stating that the final host product still requires Part 15 Subpart B compliance testing with the modular transmitter installed.

10.1.8. This device is intended only for OEM integrators under the following

conditions:(For module device use)

- 1) The antenna must be installed such that 20 cm is maintained between the antenna and users, and
- 2) The transmitter module may not be co-located with any other transmitter or antenna.

As long as 2 conditions above are met, further transmitter test will not be required. However, the OEM integrator is still responsible for testing their end-product for any additional compliance requirements required with this module installed.

10.1.9. Radiation Exposure Statement

This equipment complies with FCC radiation exposure limits set forth for an uncontrolled environment. This equipment should be installed and operated with minimum distance 20 cm between the radiator & your body.

10.2. IC

10.2.1. Industry Canada Statement

This device complies with Industry Canada's licence-exempt RSSs. Operation is subject to the following two conditions:

- (1) This device may not cause interference; and
- (2) This device must accept any interference, including interference that may cause undesired operation of the device.

Le présent appareil est conforme aux CNR d'Industrie Canada applicables aux appareils radio exempts de licence. L'exploitation est autorisée aux deux conditions suivantes:

- (1) l'appareil ne doit pas produire de brouillage, et
- (2) l'utilisateur de l'appareil doit accepter tout brouillage radioélectrique subi, même si le brouillage est susceptible d'en compromettre le fonctionnement."

10.2.2. Radiation Exposure Statement

This equipment complies with IC radiation exposure limits set forth for an uncontrolled environment. This equipment should be installed and operated with minimum distance 20 cm between the radiator & your body.

10.2.3. Déclaration d'exposition aux radiations:

Cet équipement est conforme aux limites d'exposition aux rayonnements ISED établies pour un environnement non contrôlé. Cet équipement doit être installé et utilisé avec un minimum de 20 cm de distance entre la source de rayonnement et votre corps.

10.2.4. RSS-247 Section 6.4 (5) (6) (for local area network devices, 5GHz)

The device could automatically discontinue transmission in case of absence of information to transmit, or operational failure. Note that this is not intended to prohibit transmission of control or signaling information or the use of repetitive codes where required by the technology.

The device for operation in the band 5150–5250 MHz is only for indoor use to reduce the potential for harmful interference to co-channel mobile satellite systems;

The maximum antenna gain permitted for devices in the bands 5250–5350 MHz and 5470–5725 MHz shall comply with the e.i.r.p. limit; and

The maximum antenna gain permitted for devices in the band 5725–5825 MHz shall comply with the e.i.r.p. limits specified for point-to-point and non point-to-point operation as appropriate.

L'appareil peut interrompre automatiquement la transmission en cas d'absence d'informations à transmettre ou de panne opérationnelle. Notez que ceci n'est pas destiné à interdire la transmission d'informations de contrôle ou de signalisation ou l'utilisation de codes répétitifs lorsque cela est requis par la technologie.

Le dispositif utilisé dans la bande 5150-5250 MHz est réservé à une utilisation en intérieur afin de réduire le risque de brouillage préjudiciable aux systèmes mobiles par satellite dans le même canal;

Le gain d'antenne maximal autorisé pour les dispositifs dans les bandes 5250-5350 MHz et 5470-5725 MHz doit être conforme à la norme e.r.p. limite; et

Le gain d'antenne maximal autorisé pour les appareils de la bande 5725-5825 MHz doit être conforme à la norme e.i.r.p. les limites spécifiées pour un fonctionnement point à point et non point à point, selon le cas.

10.2.5. This device is intended only for OEM integrators under the following conditions: (For module device use)

- 1) The antenna must be installed such that 20 cm is maintained between the antenna and users, and
- 2) The transmitter module may not be co-located with any other transmitter or antenna.

As long as 2 conditions above are met, further transmitter test will not be required. However, the OEM integrator is still responsible for testing their end-product for any additional compliance requirements required with this module installed.

10.2.6. Cet appareil est conçu uniquement pour les intégrateurs OEM dans les conditions suivantes: (Pour utilisation de dispositif module)

- 1) L'antenne doit être installée de telle sorte qu'une distance de 20 cm est respectée entre l'antenne et les utilisateurs, et
- 2) Le module émetteur peut ne pas être coïmplanté avec un autre émetteur ou antenne.

Tant que les 2 conditions ci-dessus sont remplies, des essais supplémentaires sur l'émetteur ne seront pas nécessaires. Toutefois, l'intégrateur OEM est toujours responsable des essais sur son produit final pour toutes exigences de conformité supplémentaires requis pour ce module installé.

10.2.7. IMPORTANT NOTE:

In the event that these conditions can not be met (for example certain laptop configurations or colocation with another transmitter), then the Canada authorization is no longer considered valid and the IC ID can not be used on the final product. In these circumstances, the OEM integrator will be responsible for re-evaluating the end product (including the transmitter) and obtaining a separate Canada authorization.

10.2.8. NOTE IMPORTANTE:

Dans le cas où ces conditions ne peuvent être satisfaites (par exemple pour certaines configurations d'ordinateur portable ou de certaines co-localisation avec un autre émetteur), l'autorisation du Canada n'est plus considéré comme valide et l'ID IC ne peut pas être utilisé sur le produit final. Dans ces circonstances, l'intégrateur OEM sera chargé de réévaluer le produit final (y compris l'émetteur) et l'obtention d'une autorisation distincte au Canada.

10.2.9. End Product Labeling

This transmitter module is authorized only for use in device where the antenna may be installed such that 20 cm may be maintained between the antenna and users. The final end product must be labeled in a visible area with the following: "Contains IC: 10224A-023SC696SNA".

10.2.10. Plaque signalétique du produit final

Ce module émetteur est autorisé uniquement pour une utilisation dans un dispositif où l'antenne peut être installée de telle sorte qu'une distance de 20cm peut être maintenue entre l'antenne et les utilisateurs. Le produit final doit être étiqueté dans un endroit visible avec l'inscription suivante: "Contient des IC:10224A-023SC696SNA".

10.2.11. Manual Information To the End User

The OEM integrator has to be aware not to provide information to the end user regarding how to install or remove this RF module in the user's manual of the end product which integrates this module.

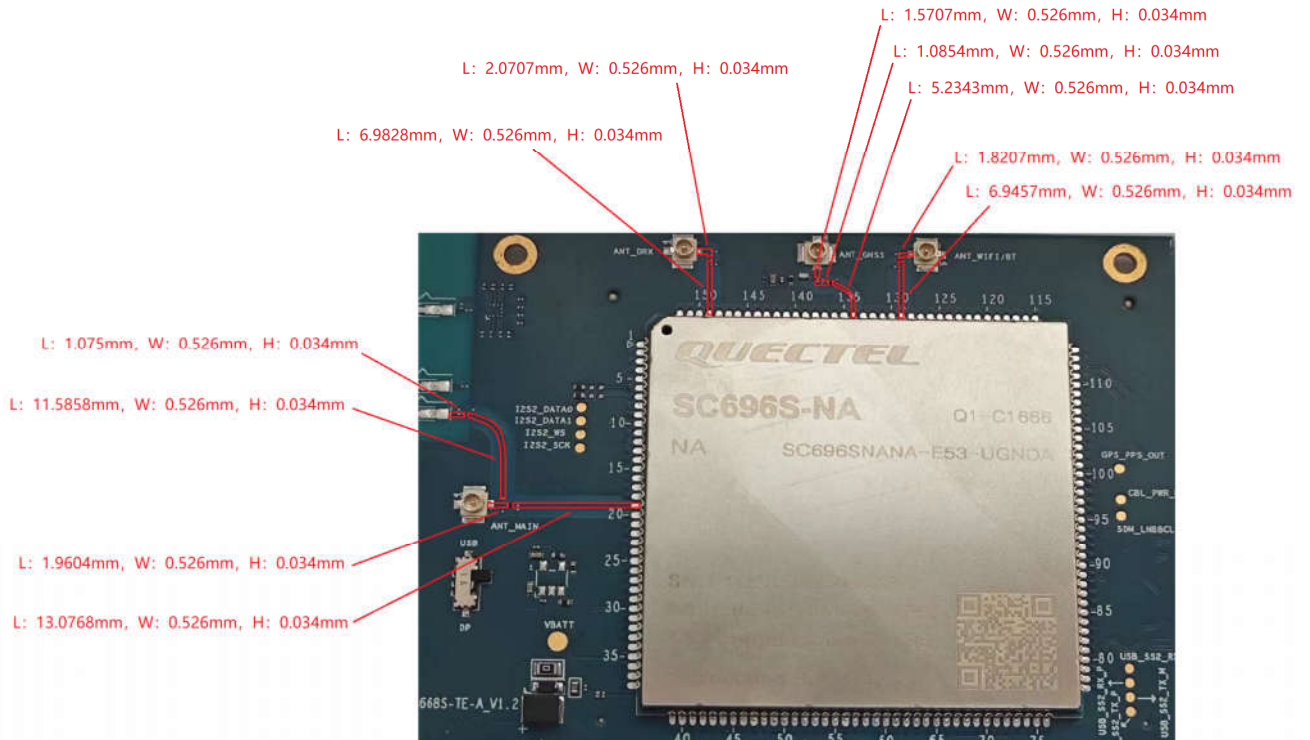
The end user manual shall include all required regulatory information/warning as show in this manual.

10.2.12. Manuel d'information à l'utilisateur final

L'intégrateur OEM doit être conscient de ne pas fournir des informations à l'utilisateur final quant à la façon d'installer ou de supprimer ce module RF dans le manuel de l'utilisateur du produit final qui intègre ce module.

Le manuel de l'utilisateur final doit inclure toutes les informations réglementaires requises et avertissements comme indiqué dans ce manuel.

10.3. Trace design



10.4. Dielectric constant, and Impedance

Layer classification	Simulated thickness (finished product)	Stacking diagram						Standard thickness UM	FP, CORE model	Material name	DK	DF	Residual copper rate of each layer		TG	TD
		Layer	Mother Board	Typical layer thickness (um)	Tolerance(um)	Dielectric Constant	DF						make up	Single PC		
SR	20						20									
L1	32	Solder Mask	25.00			3.5	32						56%	63%		
Prepreg	46	1/2oz(cu)	32.00	+/-6		3.5	44	1037 RC71%	PP	3.5	0.013		67%	86%		
L2	20	Prepreg (1897 71%)	46.00	+/-7.5	3.5	0.013	20	106 RC71%	PP	3.5	0.013		58%	69%		
Prepreg	43	Prepreg (189 71%)	43.00	+/-7.5	3.5	0.013	45	2116 RC52%	PP	4.1	0.011		66%	92%		
L3	25	1/2oz(cu)	25.00	+/-6		4.1	119	0.10mm NO Copper H/HOZ	CORE				60%	79%	175°C	385°C
Prepreg	121	Prepreg (2116 52%)	121.00	+/-13	4.1	0.011	16	2116 RC52%	PP	4.1	0.011		66%	91%		
L4	16	Copper	18.00	+/-5		4.1	100	0.10mm NO Copper H/HOZ	CORE				60%	80%		
Core	100	Core 0.1mm	100.00	+/-13	4.1		16	2116 RC52%	PP	4.1	0.011		66%	92%		
L5	16	Copper	18.00	+/-5		4.1	113	0.10mm NO Copper H/HOZ	CORE				60%	79%		
Prepreg	115	Prepreg (2116 52%)	115.00	+/-13	4.1	0.011	16	2116 RC52%	PP	4.1	0.011		66%	91%		
L6	16	Copper	18.00	+/-5		4.1	100	0.10mm NO Copper H/HOZ	CORE				60%	80%		
Core	100	Core 0.1mm	100.00	+/-13	4.1		16	2116 RC52%	PP	4.1	0.011		66%	92%		
L7	16	Copper	18.00	+/-5		4.1	113	0.10mm NO Copper H/HOZ	CORE				60%	79%		
Prepreg	115	Prepreg (2116 52%)	115.00	+/-13	4.1	0.011	16	2116 RC52%	PP	4.1	0.011		66%	91%		
L8	16	Core 0.1mm	100.00	+/-13	4.1		100	0.10mm NO Copper H/HOZ	CORE				60%	80%		
Core	100	Copper	18.00	+/-5		4.1	16	2116 RC52%	PP	4.1	0.011		66%	92%		
L9	16	Prepreg (2116 52%)	115.00	+/-13	4.1	0.011	119	2116 RC52%	PP	4.1	0.011		67%	87%		
Prepreg	119	1/2oz(cu)	25.00	+/-6		3.5	25	106 RC71%	PP	3.5	0.013		63%	78%		
L10	25	Prepreg (1897 71%)	47.00	+/-7.5	3.5	0.013	45	1037 RC71%	PP	3.5	0.013		63%	79%		
Prepreg	47	1/2oz(cu)	25.00	+/-6		3.5	20									
L11	20	Prepreg (1897 71%)	45.00	+/-7.5	3.5	0.013	44									
Prepreg	45	Solder Mask	25.00	+/-6		3.5	32									
L12	32	Total thickness	1243.00				20									
SR	20						20									
Total	SR-SR	specification thickness	1.2+/-0.12mm	Total plate thickness	1232											
			Pt-Pt	BVH	13	1241										