

# Statement

We **Quectel Wireless Solutions Co., Ltd** declare the following models.

**Product Name: BT&WIFI Module**

**Original Model Number: FC64E**

**Variant Model Number: FC64E-B**

**Hardware version: Refer to below table**

**Original FCC ID:XMR202208FC64E**

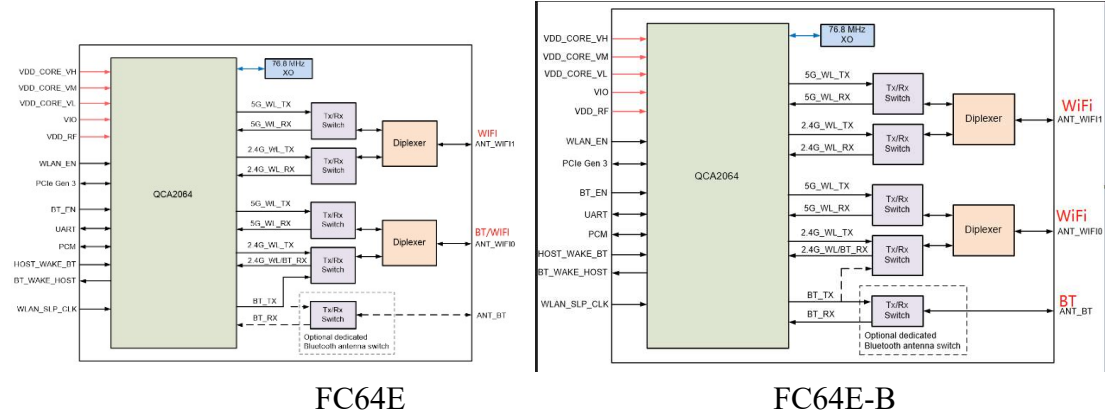
**Variant FCC ID:XMR2023FC64EB**

**The Spot Check Test Plan is as below:**

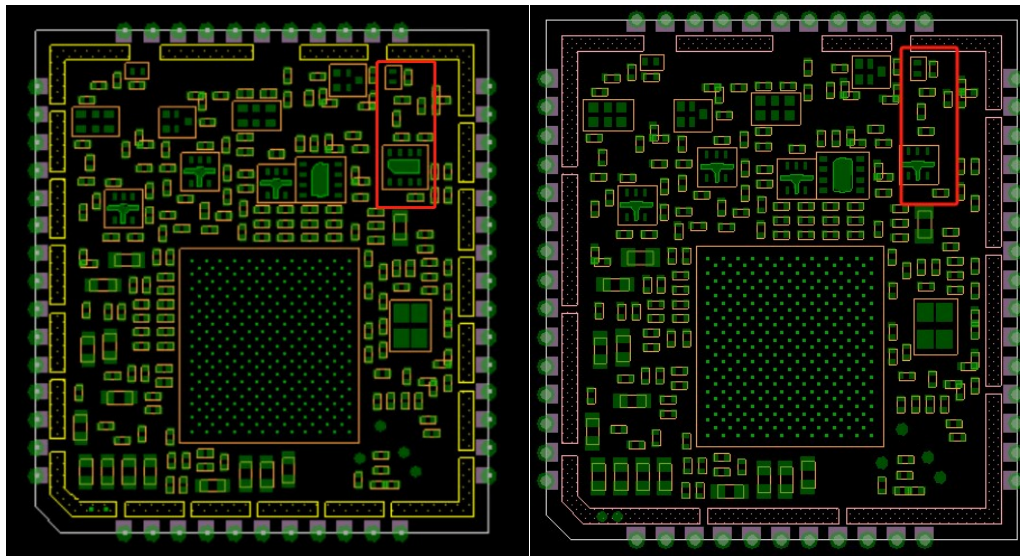
1. Bluetooth, full re-test, and new test reports issued.
2. WIFI 2.4GHz, spot check on RF output power and RSE, others seeking for Data Referencing.
3. WIFI 5GHz, spot check on RF output power and RSE, others seeking for Data Referencing.
4. DFS, spot check and seeking for Data Referencing.

**FC64E and FC64E-B share the similar HW and SW design, the difference is just as follow:**

1. FC64E version is BT/WiFi0 shared antenna, FC64E-B version is BT individual antenna.



2. FC64E-B, the components in the red box will be mounted.



FC64E

FC64E-B

We hereby state that there is no any other internal difference between them and the change are mounted part of Bluetooth individual antenna which won't affect the WiFi RF portions

Your assistance on this matter is highly appreciated.

Sincerely,

Signatory

A handwritten signature in cursive script, appearing to read "Jean Hu".

**Name:** Jean Hu

**Title:** Certification Manager

**Date:**2023/11/13