

SC200R&SC262R Series

Hardware Design

Smart Module Series

Version: 1.2

Date: 2022-05-23

Status: Released



Our aim is to provide customers with timely and comprehensive service. For any assistance, please contact our company headquarters:

Quectel Wireless Solutions Co., Ltd.

Building 5, Shanghai Business Park Phase III (Area B), No.1016 Tianlin Road, Minhang District, Shanghai 200233, China

Tel: +86 21 5108 6236

Email: info@quectel.com

Or our local office. For more information, please visit:

<http://www.quectel.com/support/sales.htm>.

For technical support, or to report documentation errors, please visit:

<http://www.quectel.com/support/technical.htm>

Or email to support@quectel.com.

General Notes

Quectel offers the information as a service to its customers. The information provided is based upon customers' requirements. Quectel makes every effort to ensure the quality of the information it makes available. Quectel does not make any warranty as to the information contained herein, and does not accept any liability for any injury, loss or damage of any kind incurred by use of or reliance upon the information. All information supplied herein is subject to change without prior notice.

Disclaimer

While Quectel has made efforts to ensure that the functions and features under development are free from errors, it is possible that these functions and features could contain errors, inaccuracies and omissions. Unless otherwise provided by valid agreement, Quectel makes no warranties of any kind, implied or express, with respect to the use of features and functions under development. To the maximum extent permitted by law, Quectel excludes all liability for any loss or damage suffered in connection with the use of the functions and features under development, regardless of whether such loss or damage may have been foreseeable.

Copyright

The information contained here is proprietary technical information of Quectel. Transmitting, reproducing, disseminating and editing this document as well as using the content without permission are forbidden. Offenders will be held liable for payment of damages. All rights are reserved in the event of a patent grant or registration of a utility model or design.

Copyright © Quectel Wireless Solutions Co., Ltd. 2021. All rights reserved.

Safety Information

The following safety precautions must be observed during all phases of operation, such as usage, service or repair of any cellular terminal or mobile incorporating the module. Manufacturers of the cellular terminal should send the following safety information to users and operating personnel, and incorporate these guidelines into all manuals supplied with the product. If not so, Quectel assumes no liability for customers' failure to comply with these precautions.



Full attention must be paid to driving at all times in order to reduce the risk of an accident. Using a mobile while driving (even with a handsfree kit) causes distraction and can lead to an accident. Please comply with laws and regulations restricting the use of wireless devices while driving.



Switch off the cellular terminal or mobile before boarding an aircraft. The operation of wireless appliances in an aircraft is forbidden to prevent interference with communication systems. If there is an Airplane Mode, it should be enabled prior to boarding an aircraft. Please consult the airline staff for more restrictions on the use of wireless devices on an aircraft.



Wireless devices may cause interference on sensitive medical equipment, so please be aware of the restrictions on the use of wireless devices when in hospitals, clinics or other healthcare facilities.



Cellular terminals or mobiles operating over radio signal and cellular network cannot be guaranteed to connect in certain conditions, such as when the mobile bill is unpaid or the (U)SIM card is invalid. When emergent help is needed in such conditions, use emergency call if the device supports it. In order to make or receive a call, the cellular terminal or mobile must be switched on in a service area with adequate cellular signal strength. In an emergency, the device with emergency call function cannot be used as the only contact method considering network connection cannot be guaranteed under all circumstances.



The cellular terminal or mobile contains a transmitter and receiver. When it is ON, it receives and transmits radio frequency signals. RF interference can occur if it is used close to TV set, radio, computer or other electric equipment.



In locations with potentially explosive atmospheres, obey all posted signs to turn off wireless devices such as your phone or other cellular terminals. Areas with potentially explosive atmospheres include fuelling areas, below decks on boats, fuel or chemical transfer or storage facilities, areas where the air contains chemicals or particles such as grain, dust or metal powders, etc.

About the Document

Revision History

Version	Date	Author	Description
1.0	2019-12-30	Arsene TONG	Initial
1.1	2020-09-09	Jasper LAI/ Jamie SHI	<ol style="list-style-type: none"> 1. Updated SC200R-EM frequency bands (Chapter 2.1/6.1): Added B4 in LTE-FDD Deleted B39 in LTE-TDD Added B4 in WCDMA 2. Added Galileo in supported GNSS (Chapter 2.1/2.2/5/6.3). 3. Added a note for the wakeup of LDO6_1V8 during sleep mode (Chapter 3.3). 4. Updated Wi-Fi output power and added Wi-Fi receiving sensitivity (Chapter 4.1.1). 5. Added BT transmitting and receiving performance (Chapter 4.2.1). 6. Added GNSS performance data (Chapter 5.1). 7. Added current consumption of SC200R-CE/-NA (Chapter 7.4). 8. Added RF output power of SC200R-NA (Chapter 7.5). 9. Added RF receiving sensitivity of SC200R-CE/-NA (Chapter 7.6). 10. Updated the maintenance clearance between the module and other components to at least 5 mm (Chapter 8.2). 11. Updated general description of storage, manufacturing and soldering (Chapter 9.1/9.2). 12. Added package weight of the module (Chapter 9.3).
1.2	2021-06-02	Kevin ZHOU/ Jamie SHI	<ol style="list-style-type: none"> 1. Chapter 4.1.1: Updated Wi-Fi receiving sensitivity. 2. Chapter 7.4: Updated current consumption of

SC200R-CE/-EM/-NA.

3. Chapter 7.5: Added RF output power of SC200R-EM.
 4. Chapter 7.6: Updated RF receiving sensitivity of SC200R-CE/-EM/-NA.
 5. Chapter 9.1: Updated notes for the storage conditions.
 6. Chapter 9.2: Updated the recommended reflow soldering thermal profile parameters.
-

1.3	2022-5-23	Winston	Add SC262R-WF
-----	-----------	---------	---------------

Contents

Safety Information	2
About the Document	3
Contents	5
Table Index	8
Figure Index	10
1 Introduction	12
1.1. Special Mark.....	16
2 Product Concept	17
2.1. General Description.....	17
2.2. Key Features.....	20
2.3. Functional Diagram.....	23
2.4. Evaluation Board.....	23
3 Application Interfaces	24
3.1. General Description.....	24
3.2. Pin Assignment.....	25
3.3. Pin Description.....	26
3.4. Power Supply.....	40
3.4.1. Power Supply Pins.....	40
3.4.2. Decrease Voltage Drop.....	40
3.4.3. Reference Design for Power Supply.....	41
3.5. Turn on and off Scenarios.....	42
3.5.1. Turn on the Module Using PWRKEY.....	42
3.5.2. Turn off the Module.....	44
3.6. VRTC Interface.....	44
3.7. Power Output.....	45
3.8. Battery Charging and Management.....	46
3.9. USB Interface.....	48
3.10. UART Interfaces.....	50
3.11. (U)SIM Interfaces.....	51
3.12. SD Card Interface.....	54
3.13. GPIO Interfaces.....	56
3.14. I2C Interfaces.....	59
3.15. SPI Interfaces.....	59
3.16. ADC Interface.....	60
3.17. Motor Drive Interface.....	60
3.18. LCM Interface.....	61
3.19. Touch Panel Interface.....	63
3.20. Camera Interfaces.....	65
3.20.1. Design Considerations.....	68
3.21. Sensor Interfaces.....	70

3.22.	Audio Interfaces.....	70
3.22.1.	Reference Circuit Design for Microphone Interfaces.....	71
3.22.2.	Reference Circuit Design for Earpiece Interface	72
3.22.3.	Reference Circuit Design for Headset Interface	73
3.22.4.	Reference Circuit Design for Loudspeaker Interface.....	73
3.22.5.	Design Considerations for Audio Interfaces	73
3.23.	Emergency Download Interface	74
4	Wi-Fi and Bluetooth	75
4.1.	Wi-Fi Overview	75
4.1.1.	Wi-Fi Performance	75
4.2.	Bluetooth Overview	77
4.2.1.	Bluetooth Performance	78
5	GNSS	79
5.1.	GNSS Performance	79
5.2.	GNSS RF Design Guidelines	80
6	Antenna Interfaces.....	81
6.1.	Main/Rx-diversity Antenna Interfaces.....	81
6.1.1.	Operating Frequencies.....	81
6.1.2.	Reference Design for Main and Rx-diversity Antenna Interfaces.....	84
6.2.	Wi-Fi/Bluetooth Antenna Interface.....	85
6.3.	GNSS Antenna Interface	86
6.3.1.	Recommended Circuit for Passive Antenna	87
6.3.2.	Recommended Circuit for Active Antenna	87
6.4.	Reference Design for RF Layout.....	88
6.5.	Antenna Installation	90
6.5.1.	Antenna Requirements	90
6.5.2.	Recommended RF Connector for Antenna Installation	91
7	Electrical, Reliability and Radio Characteristics	93
7.1.	Absolute Maximum Ratings.....	93
7.2.	Power Supply Ratings	93
7.3.	Operating and Storage Temperatures	94
7.4.	Current Consumption	94
7.5.	RF Output Power	103
7.6.	RF Receiving Sensitivity.....	106
7.7.	Electrostatic Discharge.....	110
8	Mechanical Dimensions	111
8.1.	Mechanical Dimensions of the Module.....	111
8.2.	Recommended Footprint	113
8.3.	Top and Bottom Views of the Module.....	114
9	Storage, Manufacturing and Packaging	115
9.1.	Storage	115

9.2.	Manufacturing and Soldering	116
9.3.	Packaging	118
10	Appendix References	120

Table Index

Table 1: Special Mark.....	16
Table 2: SC200R-CE Frequency Bands	17
Table 3: SC200R-EM Frequency Bands.....	18
Table 4: SC200R-NA Frequency Bands.....	18
Table 5: SC200R-JP* Frequency Bands.....	19
Table 6: SC200R-WF Frequency Bands.....	19
Table 7: Key Features	20
Table 8: I/O Parameters Definition	26
Table 9: Pin Description	26
Table 10: Power Description	45
Table 11: Pin Definition of Charging Interface.....	46
Table 12: Pin Definition of USB Interface.....	48
Table 13: USB Trace Length Inside the Module	49
Table 14: Pin Definition of UART Interfaces.....	50
Table 15: Pin Definition of (U)SIM Interfaces.....	51
Table 16: Pin Definition of SD Card Interface	54
Table 17: SD Card Trace Length Inside the Module.....	55
Table 18: Pin Definition of GPIO Interfaces	56
Table 19: Pin Definition of I2C Interfaces.....	59
Table 20: Pin Definition of SPI Interfaces	59
Table 21: Pin Definition of ADC Interface.....	60
Table 22: Pin Definition of Motor Drive Interface	60
Table 23: Pin Definition of LCM Interface	61
Table 24: Pin Definition of Touch Panel Interface	63
Table 25: Pin Definition of Camera Interface	65
Table 26: MIPI Trace Length Inside the Module	68
Table 27: Pin Definition of Sensor Interfaces.....	70
Table 28: Pin Definition of Audio Interfaces	70
Table 29: Wi-Fi Transmitting Performance.....	75
Table 30: Wi-Fi Receiving Performance.....	76
Table 31: Bluetooth Data Rate and Version.....	77
Table 32: Bluetooth Transmitting and Receiving Performance.....	78
Table 33: GNSS Performance.....	79
Table 34: Pin Definition of Main/Rx-diversity Antenna Interfaces	81
Table 35: SC200R-CE Operating Frequencies.....	81
Table 36: SC200R-EM Operating Frequencies	82
Table 37: SC200R-NA Operating Frequencies	83
Table 38: SC200R-JP* Operating Frequencies	84
Table 39: Pin Definition of Wi-Fi/Bluetooth Antenna Interface	85
Table 40: Wi-Fi/Bluetooth Frequency.....	85
Table 41: Pin Definition of GNSS Antenna Interface	86

Table 42: GNSS Frequency	86
Table 43: Antenna Requirements	90
Table 44: Absolute Maximum Ratings	93
Table 45: Power Supply Ratings	93
Table 46: Operating and Storage Temperatures	94
Table 47: SC200R-CE Current Consumption	94
Table 48: SC200R-EM Current Consumption	97
Table 49: SC200R-NA Current Consumption	100
Table 50: SC200R-JP* Current Consumption	102
Table 51: SC200R-CE RF Output Power	103
Table 52: SC200R-EM RF Output Power	104
Table 53: SC200R-NA RF Output Power	105
Table 54: SC200R-JP* RF Output Power	106
Table 55: SC200R-CE RF Receiving Sensitivity	107
Table 56: SC200R-EM RF Receiving Sensitivity	107
Table 57: SC200R-NA RF Receiving Sensitivity	108
Table 58: SC200R-JP* RF Receiving Sensitivity	109
Table 59: ESD Characteristics (Temperature: 25 °C, Humidity: 45 %)	110
Table 60: Recommended Thermal Profile Parameters	117
Table 61: Reel Packaging	119
Table 62: Related Documents	120
Table 63: Terms and Abbreviations	120

Figure Index

Figure 1: Functional Diagram.....	23
Figure 2: Pin Assignment (Top View)	25
Figure 3: Voltage Drop Sample	40
Figure 4: Star Structure of the Power Supply	41
Figure 5: Reference Circuit of Power Supply.....	41
Figure 6: Turn on the Module Using Driving Circuit.....	42
Figure 7: Turn on the Module Using Keystroke	43
Figure 8: Timing of Turning on the Module	43
Figure 9: Timing of Turning off the Module	44
Figure 10: RTC Powered by Coin Cell.....	45
Figure 11: Reference Design for Battery Charging Circuit	47
Figure 12: USB Interface Reference Design (OTG Not Supported).....	48
Figure 13: USB Interface Reference Design (OTG Supported)	49
Figure 14: Reference Circuit with Level Translator Chip (for UART5).....	50
Figure 15: RS-232 Level Match Circuit (for UART5)	51
Figure 16: Reference Circuit for (U)SIM Interface with an 8-pin (U)SIM Card Connector	52
Figure 17: Reference Circuit for (U)SIM Interface with a 6-pin (U)SIM Card Connector	53
Figure 18: Reference Circuit for SD Card Interface.....	54
Figure 19: Reference Circuit for Motor Connection	61
Figure 20: Reference Circuit Design for LCM Interface.....	62
Figure 21: Reference Design for External Backlight Driving Circuit	63
Figure 22: Reference Circuit Design for TP Interface.....	64
Figure 23: Reference Circuit Design for 3-Camera Applications.....	67
Figure 24: Reference Circuit Design for ECM Microphone Interface	71
Figure 25: Reference Circuit Design for MEMS Microphone Interface	72
Figure 26: Reference Circuit Design for Earpiece Interface.....	72
Figure 27: Reference Circuit Design for Headphone Interface	73
Figure 28: Reference Circuit Design for Loudspeaker Interface	73
Figure 29: Reference Circuit Design for Emergency Download Interface.....	74
Figure 30: Reference Circuit Design for Main and Rx-diversity Antenna Interfaces	85
Figure 31: Reference Circuit Design for Wi-Fi/Bluetooth Antenna	86
Figure 32: Reference Circuit Design for GNSS Passive Antenna	87
Figure 33: Reference Circuit Design for GNSS Active Antenna	87
Figure 34: Microstrip Design on a 2-layer PCB	88
Figure 35: Coplanar Waveguide Design on a 2-layer PCB	88
Figure 36: Coplanar Waveguide Design on a 4-layer PCB (Layer 3 as Reference Ground).....	89
Figure 37: Coplanar Waveguide Design on a 4-layer PCB (Layer 4 as Reference Ground).....	89
Figure 38: Dimensions of the U.FL-R-SMT Connector (Unit: mm).....	91
Figure 39: Mechanicals of U.FL-LP Connectors.....	92
Figure 40: Space Factor of Mated Connectors (Unit: mm).....	92
Figure 41: Top and Side Dimensions	111

Figure 42: Bottom Dimensions (Bottom View).....	112
Figure 43: Recommended Footprint (Top View).....	113
Figure 44: Top and Bottom Views of the Module.....	114
Figure 45: Recommended Reflow Soldering Thermal Profile	117
Figure 46: Tape Dimensions (Unit: mm)	118
Figure 47: Reel Dimensions (Unit: mm).....	119

1 Introduction

This document, describing SC200R series module and its air and hardware interfaces connected to your applications, informs you of the interface specifications, electrical and mechanical details, as well as other related information of the module.

With the application notes and user guides provided separately, you can easily use the module to design and set up mobile applications.

This equipment has been tested and found to comply with the limits for a Class B digital device, pursuant to Part 15 of the FCC Rules. These limits are designed to provide reasonable protection against harmful interference in a residential installation. This equipment generates, uses and can radiate radio frequency energy and, if not installed and used in accordance with the instructions, may cause harmful interference to radio communications. However, there is no guarantee that interference will not occur in a particular installation.

If this equipment does cause harmful interference to radio or television reception, which can be determined by turning the equipment off and on, the user is encouraged to try to correct the interference by one or more of the following measures:

- Reorient or relocate the receiving antenna.
- Increase the separation between the equipment and receiver.
- Connect the equipment into an outlet on a circuit different from that to which the receiver is connected.
- Consult the dealer or an experienced radio/TV technician for help.

This device complies with FCC radiation exposure limits set forth for an uncontrolled environment. In order to avoid the possibility of exceeding the FCC radio frequency exposure limits, human proximity to the antenna shall not be less than 20cm (8 inches) during normal operation.

This transmitter must not be co-located or operating in conjunction with any other antenna or transmitter.

Any changes or modifications not expressly approved by the party responsible for compliance could void the user's authority to operate this equipment. This transmitter must not be co-located or operating in conjunction with any other antenna or transmitter.

Important Notice to OEM integrators

1. This module is limited to OEM installation ONLY.
2. This module is limited to installation in fixed applications, according to Part 2.1091(b).
3. The separate approval is required for all other operating configurations, including portable configurations with respect to Part 2.1093 and different antenna configurations

4. For FCC Part 15.31 (h) and (k): The host manufacturer is responsible for additional testing to verify compliance as a composite system. When testing the host device for compliance with Part

15 Subpart B, the host manufacturer is required to show compliance with Part 15 Subpart B while the transmitter module(s) are installed and operating. The modules should be transmitting and the evaluation should confirm that the module's intentional emissions are compliant (i.e. fundamental and out of band emissions). The host manufacturer must verify that there are no additional unintentional emissions other than what is permitted in Part 15 Subpart B or emissions are complaint with the transmitter(s) rule(s).

The Grantee will provide guidance to the host manufacturer for Part 15 B requirements if needed.

Important Note notice that any deviation(s) from the defined parameters of the antenna trace, as described by the instructions, require that the host product manufacturer must notify to Quectel Wireless Solutions Co., Ltd that they wish to change the antenna trace design. In this case, a Class II permissive change application is required to be filed by the USI, or the host manufacturer can take responsibility through the change in FCC ID (new application) procedure followed by a Class II permissive change application.

End Product Labeling

When the module is installed in the host device, the FCC/IC ID label must be visible through a window on the final device or it must be visible when an access panel, door or cover is easily re-moved. If not, a second label must be placed on the outside of the final device that contains the following text: "Contains FCC ID: XMR2022SC262RWF"

The FCC ID can be used only when all FCC compliance requirements are met.

Antenna Installation

(1) The antenna must be installed such that 20 cm is maintained between the antenna and users,

(2) The transmitter module may not be co-located with any other transmitter or antenna.

(3) Only antennas of the same type and with equal or less gains as shown below may be used with this module. Other types of antennas and/or higher gain antennas may require additional authorization for operation.

(4) The max allowed antenna gain for 2.4G Hz is 0.47 dBi with external antenna. The max allowed antenna gain for 5GHz is 1.28 dBi with external antenna.

In the event that these conditions cannot be met (for example certain laptop configurations or co-location with another transmitter), then the FCC authorization is no longer considered valid and the FCC ID/IC ID cannot be used on the final product. In these circumstances, the OEM integrator will be responsible for re-evaluating the end product (including the transmitter) and obtaining a separate FCC/IC authorization.

Manual Information to the End User

The OEM integrator has to be aware not to provide information to the end user regarding how to install or remove this RF module in the user's manual of the end product which integrates this module. The end user manual shall include all required regulatory information/warning as show in this manual.

This device complies with part 15 of the FCC Rules. Operation is subject to the following two conditions: (1) This device may not cause harmful interference, and (2) this device must accept any interference received, including interference that may cause undesired operation.

This device complies with ISED's licence-exempt RSSs. Operation is subject to the following two conditions: (1) This device may not cause harmful interference, and (2) this device must accept any interference received, including interference that may cause undesired operation.

Le présent appareil est conforme aux CNR d'ISED applicables aux appareils radio exempts de licence. L'exploitation est autorisée aux deux conditions suivantes : (1) le dispositif ne doit pas produire de brouillage préjudiciable, et (2) ce dispositif doit accepter tout brouillage reçu, y compris un brouillage susceptible de provoquer un fonctionnement indésirable.

Radiation Exposure Statement:

This equipment complies with ISED radiation exposure limits set forth for an uncontrolled environment. This equipment should be installed and operated with minimum distance 20cm between the radiator & your body.

Déclaration d'exposition aux radiations:

Cet équipement est conforme aux limites d'exposition aux rayonnements ISED établies pour un environnement non contrôlé. Cet équipement doit être installé et utilisé avec un minimum de 20 cm de distance entre la source de rayonnement et votre corps.

This device is intended only for OEM integrators under the following conditions: (For module device use)

- 1) The antenna must be installed such that 20 cm is maintained between the antenna and users, and
- 2) The transmitter module may not be co-located with any other transmitter or antenna.

As long as 2 conditions above are met, further transmitter test will not be required. However, the OEM integrator is still responsible for testing their end-product for any additional compliance requirements required with this module installed.

Cet appareil est conçu uniquement pour les intégrateurs OEM dans les conditions suivantes: (Pour utilisation de dispositif module)

- 1) L'antenne doit être installée de telle sorte qu'une distance de 20 cm est respectée entre l'antenne et les utilisateurs, et
- 2) Le module émetteur peut ne pas être coïmplanté avec un autre émetteur ou antenne.

Tant que les 2 conditions ci-dessus sont remplies, des essais supplémentaires sur l'émetteur ne seront pas nécessaires. Toutefois, l'intégrateur OEM est toujours responsable des essais sur son produit final pour toutes exigences de conformité supplémentaires requis pour ce module installé.

IMPORTANT NOTE:

In the event that these conditions can not be met (for example certain laptop configurations or co- location with another transmitter), then the Canada authorization is no longer considered valid and the IC ID can not be used on the final product. In these circumstances, the OEM integrator will be responsible for re-evaluating the end product (including the transmitter) and obtaining a separate Canada authorization.

NOTE IMPORTANTE:

Dans le cas où ces conditions ne peuvent être satisfaites (par exemple pour certaines configurations d'ordinateur portable ou de certaines co-localisation avec un autre émetteur), l'autorisation du Canada n'est plus considéré comme valide et l'ID IC ne peut pas être utilisé sur le produit final. Dans ces circonstances,

l'intégrateur OEM sera chargé de réévaluer le produit final (y compris l'émetteur) et l'obtention d'une autorisation distincte au Canada.

End Product Labeling

This transmitter module is authorized only for use in device where the antenna may be installed such that 20 cm may be maintained between the antenna and users. The final end product must be labeled in a visible area with the following: "Contains IC: 10224A-2022SC262R".

Plaque signalétique du produit final

Ce module émetteur est autorisé uniquement pour une utilisation dans un dispositif où l'antenne peut être installée de telle sorte qu'une distance de 20cm peut être maintenue entre l'antenne et les utilisateurs. Le produit final doit être étiqueté dans un endroit visible avec l'inscription suivante: "Contient des IC: 10224A-2022SG865W".

Manual Information To the End User

The OEM integrator has to be aware not to provide information to the end user regarding how to install or remove this RF module in the user's manual of the end product which integrates this module. The end user manual shall include all required regulatory information/warning as show in this manual.

Manuel d'information à l'utilisateur final

L'intégrateur OEM doit être conscient de ne pas fournir des informations à l'utilisateur final quant à la façon d'installer ou de supprimer ce module RF dans le manuel de l'utilisateur du produit final qui intègre ce module.

Le manuel de l'utilisateur final doit inclure toutes les informations réglementaires requises et avertissements comme indiqué dans ce manuel.

RSS-247 Section 6.4 (5) (6) (for local area network devices, 5GHz)

The device could automatically discontinue transmission in case of absence of information to transmit, or operational failure. Note that this is not intended to prohibit transmission of control or signaling information or the use of repetitive codes where required by the technology.

Caution:

- i) The device for operation in the band 5150–5250 MHz is only for indoor use to reduce the potential for harmful interference to co-channel mobile satellite systems;
- ii) where applicable, antenna type(s), antenna models(s), and worst-case tilt angle(s) necessary to remain compliant with the e.i.r.p. elevation mask requirement set forth in section 6.2.2.3 shall be clearly indicated.

L'appareil peut interrompre automatiquement la transmission en cas d'absence d'informations à transmettre ou de panne opérationnelle. Notez que ceci n'est pas destiné à interdire la transmission d'informations de contrôle ou de signalisation ou l'utilisation de codes répétitifs lorsque cela est requis par la technologie.

Avertissement:

- i) Le dispositif utilisé dans la bande 5150-5250 MHz est réservé à une utilisation en intérieur afin de réduire le risque de brouillage préjudiciable aux systèmes mobiles par satellite dans le même canal;
- ii) lorsqu'il y a lieu, les types d'antennes (s'il y en a plusieurs), les numéros de modèle de l'antenne et les pires angles

d'inclinaison nécessaires pour rester conforme à l'exigence de la p.i.r.e. applicable au masque d'élévation, énoncée à la section 6.2.2.3, doivent être clairement indiqués.

- i. for devices with detachable antenna(s), the maximum antenna gain permitted for devices in the bands 5250-5350 MHz and 5470-5725 MHz shall be such that the equipment still complies with the e.i.r.p. limit
- ii. for devices with detachable antenna(s), the maximum antenna gain permitted for devices in the band 5725-5850 MHz shall be such that the equipment still complies with the e.i.r.p. limits as appropriate; and
- iii. where applicable, antenna type(s), antenna models(s), and worst-case tilt angle(s) necessary to remain compliant with the e.i.r.p. elevation mask requirement set forth in section 6.2.2.3 shall be clearly indicated.

1.1. Special Mark

Table 1: Special Mark

Mark	Definition
*	Unless otherwise specified, when an asterisk (*) is used after a function, feature, interface, pin name, AT command, or argument, it indicates that the function, feature, interface, pin, AT command, or argument is under development and currently not supported; and the asterisk (*) after a model indicates that the sample of such model is currently unavailable.

2 Product Concept

2.1. General Description

SC200R is a series of 4G Smart LTE module based on Android operating system, and provides industrial grade performance. Its general features are listed below:

- Supports worldwide LTE-FDD, LTE-TDD, DC-HSPA+, HSPA+, HSDPA, HSUPA, WCDMA, EVDO/CDMA, EDGE and GPRS coverage.
- Supports short-range wireless communication via Wi-Fi 802.11a/b/g/n and Bluetooth 4.2 LE.
- Integrates GPS/GLONASS/BeiDou or GPS/Galileo/Beidou satellite positioning systems.
- Supports multiple audio and video codecs.
- Built-in high performance Adreno™ 308 graphics processing unit.
- Provides multiple audio and video input/output interfaces as well as abundant GPIO interfaces.

SC200R series module is available in below variants: SC200R-CE, SC200R-EM, SC200R-NA, SC200R-JP*, SC200R-WF, SC262RWF. The following tables show the supported frequency bands and network standards of SC200R series modules.

Table 2: SC200R-CE Frequency Bands

Mode	Frequency
LTE-FDD	B1/B3/B5/B8
LTE-TDD	B34/B38/B39/B40/B41
WCDMA	B1/B8
EVDO/CDMA	BC0
GSM	900/1800 MHz
Wi-Fi 802.11a/b/g/n	2412–2472 MHz 5180–5825 MHz
Bluetooth 4.2 LE	2402–2480 MHz

GNSS	GPS: 1575.42 ±1.023 MHz GLONASS: 1597.5–1605.8 MHz BeiDou: 1561.098 ±2.046 MHz Galileo: 1575.42 ±1.023 MHz
------	---

Table 3: SC200R-EM Frequency Bands

Mode	Frequency
LTE-FDD	B1/B2/B3/B4/B5/B7/B8/B20/B28
LTE-TDD	B38/B40/B41
WCDMA	B1/B2/B4/B5/B8
GSM	850/900/1800/1900 MHz
Wi-Fi 802.11a/b/g/n	2412–2472 MHz 5180–5825 MHz
Bluetooth 4.2 LE	2402–2480 MHz
GNSS	GPS: 1575.42 ±1.023 MHz GLONASS: 1597.5–1605.8 MHz BeiDou: 1561.098 ±2.046 MHz Galileo: 1575.42 ±1.023 MHz

Table 4: SC200R-NA Frequency Bands

Mode	Frequency
LTE-FDD	B2/B4/B5/B7/B12/B13/B14/B17/B25/B26/B66/B71
LTE-TDD	B41
WCDMA	B2/B4/B5
Wi-Fi 802.11a/b/g/n	2412–2472 MHz 5180–5825 MHz
Bluetooth 4.2 LE	2402–2480 MHz
GNSS	GPS: 1575.42 ±1.023 MHz GLONASS: 1597.5–1605.8 MHz BeiDou: 1561.098 ±2.046 MHz Galileo: 1575.42 ±1.023 MHz

Table 5: SC200R-JP* Frequency Bands

Mode	Frequency
LTE-FDD	B1/B3/B5/B8/B11/B18/B19/B21/B26/B28
LTE-TDD	B41
WCDMA	B1/B6/B8/B19
Wi-Fi 802.11a/b/g/n	2402–2482 MHz 5180–5825 MHz
Bluetooth 4.2 LE	2402–2480 MHz
GNSS	GPS: 1575.42 ±1.023 MHz GLONASS: 1597.5–1605.8 MHz BeiDou: 1561.098 ±2.046 MHz Galileo: 1575.42 ±1.023 MHz

Table 6: SC200R-WF Frequency Bands

Mode	Frequency
Wi-Fi 802.11a/b/g/n	2412–2472 MHz 5180–5825 MHz
Bluetooth 4.2 LE	2402–2480 MHz
GNSS	-

Table 7: SC262R-WF Frequency Bands

Mode	Frequency
Wi-Fi 802.11a/b/g/n/ac	2412–2462 MHz 5180–5825 MHz
Bluetooth 4.2 LE	2402–2480 MHz
GNSS	-

NOTE

SC200R-JP supports 802.11b channel 14.

SC200R is a series of SMD type modules, which can be embedded into applications through its 274 pins, including 146 LCC pins and 128 LGA pins. With a compact profile of 40.5 mm × 40.5 mm × 2.8 mm, the module can meet almost all requirements for M2M applications such as edge device, edge computing, CPE, wireless POS, smart metering, router, data card, automotive, smart phone, digital signage, alarm panel, security and industry PDA, etc.

2.2. Key Features

The following table describes the detailed features of SC200R series module.

Table 7: Key Features

Feature	Details
Application Processor	<ul style="list-style-type: none"> ● 64-bit quad-core ARM Cortex-A53 microprocessor, up to 1.3 GHz ● 512 KB L2 cache
Modem DSP	<ul style="list-style-type: none"> ● Hexagon DSP v56 core, up to 691 MHz ● 768 KB L2 cache
GPU	Adreno™ 308 GPU with 64-bit addressing, up to 485 MHz
Memory	<ul style="list-style-type: none"> ● 8 GB eMMC + 1 GB LPDDR3 (default) ● 16 GB eMMC + 2 GB LPDDR3 (optional)
Operating System	Android 10
Power Supply	<ul style="list-style-type: none"> ● Supply voltage: 3.55–4.2 V ● Typical supply voltage: 3.8 V
Transmitting Power	<ul style="list-style-type: none"> ● Class 4 (33 dBm ±2 dB) for GSM850 ● Class 4 (33 dBm ±2 dB) for EGSM900 ● Class 1 (30 dBm ±2 dB) for DCS1800 ● Class 1 (30 dBm ±2 dB) for PCS1900 ● Class E2 (27 dBm ±3 dB) for GSM850 8-PSK ● Class E2 (27 dBm ±3 dB) for EGSM900 8-PSK ● Class E2 (26 dBm ±3 dB) for DCS1800 8-PSK ● Class E2 (26 dBm ±3 dB) for PCS1900 8-PSK ● Class 3 (24 dBm +1/-3 dB) for WCDMA bands ● Class 3 (24 dBm +3/-1 dB) for EVDO/CDMA BC0 ● Class 3 (23 dBm ±2 dB) for LTE-FDD bands ● Class 3 (23 dBm ±2 dB) for LTE-TDD bands

LTE Features	<p>Supports 3GPP R10 Cat 4 FDD and TDD</p> <p>Supports 1.4/3/5/10/15/20 MHz RF bandwidth</p> <ul style="list-style-type: none"> ● FDD: Max. 150 Mbps (DL)/Max. 50 Mbps (UL) ● TDD: Max. 130 Mbps (DL)/Max. 30 Mbps (UL)
UMTS Features	<p>Supports 3GPP R9 DC-HSDPA/DC-HSUPA/HSPA+/HSDPA/HSUPA/WCDMA</p> <p>Supports 16-QAM, 64-QAM and QPSK modulations</p> <ul style="list-style-type: none"> ● DC-HSDPA: Max. 42 Mbps ● DC-HSUPA: Max. 11.2 Mbps ● WCDMA: Max. 384 kbps (DL)/Max. 384 kbps (UL)
CDMA2000 Features	<p>Supports 3GPP2 CDMA2000 1X Advanced, CDMA2000 1xEV-DO Rev.A</p> <ul style="list-style-type: none"> ● EVDO: Max. 3.1 Mbps (DL)/Max. 1.8 Mbps (UL) ● 1X Advanced: Max. 307.2 kbps (DL)/Max. 307.2 kbps (UL)
GSM Features	<p>R99:</p> <ul style="list-style-type: none"> ● CSD: 9.6 kbps, 14.4 kbps <p>GPRS:</p> <ul style="list-style-type: none"> ● Supports GPRS multi-slot class 33 (33 by default) ● Coding scheme: CS-1, CS-2, CS-3 and CS-4 ● Max. 107 kbps (DL)/Max. 85.6 kbps (UL) <p>EDGE:</p> <ul style="list-style-type: none"> ● Supports EDGE multi-slot class 33 (33 by default) ● Supports GMSK and 8-PSK for different MCS ● Downlink coding schemes: MCS 1–9 ● Uplink coding schemes: MCS 1–9 ● Max. 296 kbps (DL)/Max. 236.8 kbps (UL)
WLAN Features	<ul style="list-style-type: none"> ● Supports AP and STA mode ● 2.4 GHz, 5 GHz, 802.11a/b/g/n, up to 150 Mbps
Bluetooth Feature	Bluetooth 4.2 LE
GNSS Features ¹⁾	GPS/GLONASS/BeiDou or GPS/Galileo/BeiDou
SMS	<ul style="list-style-type: none"> ● Text and PDU mode ● Point-to-point MO and MT ● SMS cell broadcast
LCM Interface	<ul style="list-style-type: none"> ● Supports one 4-lane MIPI_DSI ● Supports HD+ (1440 × 720) @ 60 fps
Camera Interfaces	<ul style="list-style-type: none"> ● Supports two 4-lane MIPI_CSI, up to 2.1 Gbps/lane ● Supports two cameras (4-lane + 4-lane) or three cameras (4-lane + 2-lane + 1-lane) ● Up to 13 MP
Video Codec	<ul style="list-style-type: none"> ● Video encoding + decoding: 720P @ 30 fps + 1080P @ 30 fps ● Encoding: up to 1080P @ 30 fps; Decoding: up to 1080P @ 30 fps

Audio Interfaces	<p>Audio inputs:</p> <ul style="list-style-type: none"> ● Three single-ended microphone inputs <p>Audio outputs:</p> <ul style="list-style-type: none"> ● Class AB stereo headphone output ● Class AB earpiece differential output ● Class D speaker differential amplifier output
Audio Codec	<ul style="list-style-type: none"> ● EVRC, EVRC-B, EVRC-WB; ● G.711, G.729A, and G.729AB; ● GSM-FR, GSM-EFR, GSM-HR; ● AMR-NB, AMR-WB, eAMR, BeAMR
USB Interface	<ul style="list-style-type: none"> ● Compliant with USB 2.0 specification ● Supports up to 480 Mbps ● Supports USB OTG ● Used for AT command communication, data transmission, software debugging and firmware upgrade
UART Interfaces	<p>Three UART interfaces: UART5, UART2 (debug UART) and UART1, baud rate up to 4 Mbps</p> <ul style="list-style-type: none"> ● UART5: 4-wire UART interface, and hardware flow control is supported ● UART2 (debug UART): 2-wire UART interface, used for debugging by default ● UART1: 2-wire UART interface
SD Card Interface	<ul style="list-style-type: none"> ● Supports SD 3.0 ● Supports SD card hot-plug
(U)SIM Interfaces	<ul style="list-style-type: none"> ● Two (U)SIM interfaces ● Supports USIM/SIM card: 1.8 V or 2.95 V ● Supports Dual SIM Dual Standby (supported by default)
I2C Interfaces	<ul style="list-style-type: none"> ● Four I2C interfaces ● Used for peripherals such as camera, sensor, touch panel, etc.
ADC Interface	One generic ADC interface, up to 15-bit resolution
Real Time Clock	Supported
Antenna Interfaces	Main antenna, Rx-diversity antenna, GNSS antenna ¹⁾ and Wi-Fi/Bluetooth antenna
Physical Characteristics	<ul style="list-style-type: none"> ● Size: (40.5 ±0.15) mm × (40.5 ±0.15) mm × (2.8 ±0.2) mm ● Package: LCC + LGA ● Weight: Approx. 10.2 g
Temperature Range	<ul style="list-style-type: none"> ● Operating temperature range: -35 °C to +75 °C ²⁾ ● Storage temperature range: -40 °C to +90 °C
Firmware Upgrade	Over USB interface or OTA
RoHS	All hardware components are fully compliant with EU RoHS directive.

NOTES

1. ¹⁾ SC200R-WF/SC262R-WF does not support GNSS.
2. ²⁾ Within the operating temperature range, the module is 3GPP compliant.

2.3. Functional Diagram

The following figure shows a block diagram of SC200R series module and illustrates the major functional parts.

- Power management
- Radio frequency
- Baseband
- LPDDR3 + eMMC flash
- Peripheral interfaces
 - USB interface
 - UART interfaces
 - (U)SIM interfaces
 - SD card interface
 - GPIO interfaces
 - I2C interfaces
 - SPI interfaces
 - ADC interface
 - Motor drive interface
 - LCM interface
 - Touch panel interface
 - Camera interfaces
 - Audio interfaces

2.4. Evaluation Board

To help you design and test applications with the module, Quectel supplies an evaluation kit, which includes an evaluation board, a USB to RS-232 converter cable, a USB data cable, a power adapter, an earphone and antennas. For details, see **document [1]**.

3 Application Interfaces

3.1. General Description

SC200R is a series of SMD type modules with 146 LCC pins and 128 LGA pins. The following chapters provide the detailed description of pins/interfaces listed below.

- Power supply
- VRTC interface
- USB interface
- Power output
- Battery charging and management
- UART interfaces
- (U)SIM interfaces
- SD card interface
- GPIO interfaces
- I2C interfaces
- SPI interfaces
- ADC interface
- Motor drive interface
- LCM interface
- Touch panel interface
- Camera interfaces
- Sensor interfaces
- Audio interfaces
- Emergency download interface

3.3. Pin Description

Table 8: I/O Parameters Definition

Type	Description
AI	Analog input
AO	Analog output
AIO	Analog input/output
DI	Digital input
DO	Digital output
DIO	Digital input/output
OD	Open drain
PI	Power input
PO	Power output
PIO	Power input/output

The following table shows the pin definition and electrical characteristics of the module.

Table 9: Pin Description

Power Supply					
Pin Name	Pin No.	I/O	Description	DC Characteristics	Comment
VBAT_BB	1, 2	PIO	Power supply for the module's baseband part	Vmax = 4.2 V Vmin = 3.55 V Vnom = 3.8 V	You must provide them with sufficient current of up to 3 A.
VBAT_RF	145, 146	PI	Power supply for the module's RF part	Vmax = 4.2 V Vmin = 3.55 V Vnom = 3.8 V	It is suggested to add a TVS for surge protection.
VRTC	126	PIO	Power supply for RTC	Vomax = 3.2 V Vl = 2.0–3.25 V	If it is not used, keep this pin open.

LDO5_1V8	111	PO	1.8 V output power supply	Vnom = 1.8 V Iomax = 20 mA	Power supply for external GPIO's pull-up and level shift circuits.
LDO6_1V8 ¹⁾	125	PO	1.8 V output power supply	Vnom = 1.8 V Iomax = 150 mA	Power supply for sensors, cameras, and I2C pull-up circuit. If it is used, connect an external 1.0–4.7 μF capacitor to this pin in parallel. If it is not used, keep it open.
LDO10_2V85	156	PO	2.85 V output power supply	Vnom = 2.85 V Iomax = 150 mA	Reserved power supply. If it is used, add a 1.0–2.2 μF bypass capacitor. If it is not used, keep it open.
LDO17_2V85	129	PO	2.85 V output power supply	Vnom = 2.85 V Iomax = 450 mA	Power supply for AVDD of LCM, TP, sensors and cameras. If it is used, connect an external 2.2–4.7 μF capacitor to this pin in parallel. If it is not used, keep it open.
LDO16_2V8	193	PO	2.8 V output power supply	Vnom = 2.8 V Iomax = 55 mA	Reserved power supply. If it is used, add a 1.0–2.2 μF bypass capacitor. If it is not used, keep it open.

GND

Pin Name Pin No.

GND	3, 7, 12, 15, 27, 51, 62, 69, 76, 78, 85, 86, 88, 89, 120, 122, 130, 132, 135, 140, 143, 144, 149, 162, 171, 172, 176, 187–191, 202–204, 206–224, 226–231, 233–238, 240, 241, 243–245, 247, 248, 250, 251, 255, 256, 258, 259, 261, 266, 268, 269, 271–274
-----	--

Audio Interfaces

Pin Name	Pin No.	I/O	Description	DC Characteristics	Comment
MIC1_P	4	AI	Microphone input for channel 1 (+)		
MIC_GND	5	AI	Microphone reference ground		If it is not used, connect it to the ground.
MIC2_P	6	AI	Microphone input for headset (+)		
EAR_P	8	AO	Earpiece output (+)		
EAR_N	9	AO	Earpiece output (-)		
SPK_P	10	AO	Speaker output (+)		
SPK_N	11	AO	Speaker output (-)		
HPH_R	136	AO	Headphone right channel output		
HPH_REF	137	AO	Headphone reference ground		
HPH_L	138	AO	Headphone left channel output		
HS_DET	139	AI	Headset hot-plug detect		High level by default.
MIC_BIAS1	147	AO	Microphone bias voltage 1	$V_O = 1.6\text{--}2.85\text{ V}$	
MIC3_P	148	AI	Microphone input for channel 2 (+)		
MIC_BIAS2	155	AO	Microphone bias voltage 2	$V_O = 1.6\text{--}2.85\text{ V}$	

USB Interface

Pin Name	Pin No.	I/O	Description	DC Characteristics	Comment
----------	---------	-----	-------------	--------------------	---------

USB_VBUS	141, 142	PI	Charging power input; USB 5 V power input; USB/adaptor insertion detection	$V_{max} = 6.2\text{ V}$ $V_{min} = 4.35\text{ V}$ $V_{nom} = 5.0\text{ V}$	
USB_DM	13	AIO	USB 2.0 differential data (-)		USB 2.0 standard compliant.
USB_DP	14	AIO	USB 2.0 differential data (+)		90 Ω differential impedance.
USB_ID	16	DI	USB ID detect		High level by default.

(U)SIM Interfaces

Pin Name	Pin No.	I/O	Description	DC Characteristics	Comment
USIM2_DET	17	DI	(U)SIM2 card hot-plug detect	$V_{ILmax} = 0.63\text{ V}$ $V_{IHmin} = 1.17\text{ V}$	Active low. Externally pull it up to 1.8 V. If it is not used, keep it open. This function is disabled by default via software. Cannot be multiplexed into a generic GPIO.
USIM2_RST	18	DO	(U)SIM2 card reset	$V_{OLmax} = 0.4\text{ V}$ $V_{OHmin} =$	
USIM2_CLK	19	DO	(U)SIM2 card clock	$0.8 \times USIM2_VDD$	
USIM2_DATA	20	DIO	(U)SIM2 card data	$V_{ILmax} =$ $0.2 \times USIM2_VDD$ $V_{IHmin} =$ $0.7 \times USIM2_VDD$ $V_{OLmax} = 0.4\text{ V}$ $V_{OHmin} =$ $0.8 \times USIM2_VDD$	Cannot be multiplexed into generic GPIOs.

				$I_{Omax} = 55 \text{ mA}$	
USIM2_VDD	21	PO	(U)SIM2 card power supply	<p>For 1.8 V (U)SIM: $V_{max} = 1.85 \text{ V}$ $V_{min} = 1.75 \text{ V}$</p> <p>For 2.95 V (U)SIM: $V_{max} = 3.1 \text{ V}$ $V_{min} = 2.8 \text{ V}$</p>	Either 1.8 V or 2.95 V (U)SIM card is supported.
USIM1_DET	22	DI	(U)SIM1 card hot-plug detect	$V_{ILmax} = 0.63 \text{ V}$ $V_{IHmin} = 1.17 \text{ V}$	<p>Active low. Externally pull it up to 1.8 V. If it is not used, keep it open. This function is disabled by default via software. Cannot be multiplexed into a generic GPIO.</p>
USIM1_RST	23	DO	(U)SIM1 card reset	$V_{OLmax} = 0.4 \text{ V}$	
USIM1_CLK	24	DO	(U)SIM1 card clock	$V_{OHmin} = 0.8 \times \text{USIM1_VDD}$	
USIM1_DATA	25	DIO	(U)SIM1 card data	$V_{ILmax} = 0.2 \times \text{USIM1_VDD}$ $V_{IHmin} = 0.7 \times \text{USIM1_VDD}$ $V_{OLmax} = 0.4 \text{ V}$ $V_{OHmin} = 0.8 \times \text{USIM1_VDD}$	Cannot be multiplexed into generic GPIOs.
				$I_{Omax} = 55 \text{ mA}$	
USIM1_VDD	26	PO	(U)SIM1 card power supply	<p>For 1.8 V (U)SIM: $V_{max} = 1.85 \text{ V}$ $V_{min} = 1.75 \text{ V}$</p> <p>For 2.95 V (U)SIM: $V_{max} = 3.1 \text{ V}$ $V_{min} = 2.8 \text{ V}$</p>	Either 1.8 V or 2.95 V (U)SIM card is supported.

UART Interfaces

Pin Name	Pin No.	I/O	Description	DC Characteristics	Comment
----------	---------	-----	-------------	--------------------	---------

UART5_TXD	34	DO	UART5 transmit	$V_{OLmax} = 0.45\text{ V}$ $V_{OHmin} = 1.35\text{ V}$	1.8 V power domain. If not used, keep these pins open.
UART5_RXD	35	DI	UART5 receive	$V_{ILmax} = 0.63\text{ V}$ $V_{IHmin} = 1.17\text{ V}$	
UART5_CTS	36	DI	UART5 clear to send	$V_{ILmax} = 0.63\text{ V}$ $V_{IHmin} = 1.17\text{ V}$	
UART5_RTS	37	DO	UART5 request to send	$V_{OLmax} = 0.45\text{ V}$ $V_{OHmin} = 1.35\text{ V}$	
DBG_RXD	93	DI	UART2 receive (debug UART by default)	$V_{ILmax} = 0.63\text{ V}$ $V_{IHmin} = 1.17\text{ V}$	
DBG_TXD	94	DO	UART2 transmit (debug UART by default)	$V_{OLmax} = 0.45\text{ V}$ $V_{OHmin} = 1.35\text{ V}$	
UART1_RXD	153	DI	UART1 receive	$V_{ILmax} = 0.63\text{ V}$ $V_{IHmin} = 1.17\text{ V}$	
UART1_TXD	154	DO	UART1 transmit	$V_{OLmax} = 0.45\text{ V}$ $V_{OHmin} = 1.35\text{ V}$	

SD Card Interface

Pin Name	Pin No.	I/O	Description	DC Characteristics	Comment
SD_LDO11	38	PO	2.95 V output power supply for SD card	$V_{nom} = 2.95\text{ V}$ $I_{Omax} = 800\text{ mA}$	
SD_LDO12	32	PO	1.8/2.95 V output power supply for SD card pull-up circuits.	$V_{nom} = 1.8/2.95\text{ V}$ $I_{Omax} = 50\text{ mA}$	
SD_CLK	39	DO	SD card clock	1.8 V SD card: $V_{OLmax} = 0.45\text{ V}$ $V_{OHmin} = 1.4\text{ V}$ 2.95 V SD card: $V_{OLmax} = 0.37\text{ V}$ $V_{OHmin} = 2.2\text{ V}$	50 Ω characteristic impedance.
SD_CMD	40	DIO	SD card command	1.8 V SD card: $V_{ILmax} = 0.58\text{ V}$ $V_{IHmin} = 1.27\text{ V}$	
SD_DATA0	41	DIO	SDIO data bit 0	$V_{OLmax} = 0.45\text{ V}$ $V_{OHmin} = 1.4\text{ V}$	
SD_DATA1	42	DIO	SDIO data bit 1		
SD_DATA2	43	DIO	SDIO data bit 2		

SD_DATA3	44	DIO	SDIO data bit 3	2.95 V SD card: $V_{ILmax} = 0.73\text{ V}$ $V_{IHmin} = 1.84\text{ V}$ $V_{OLmax} = 0.37\text{ V}$ $V_{OHmin} = 2.2\text{ V}$	
SD_DET	45	DI	SD card hot-plug detect	$V_{ILmax} = 0.63\text{ V}$ $V_{IHmin} = 1.17\text{ V}$	Active low.

Touch Panel Interface

Pin Name	Pin No.	I/O	Description	DC Characteristics	Comment
TP_INT	30	DI	TP interrupt	$V_{ILmax} = 0.63\text{ V}$ $V_{IHmin} = 1.17\text{ V}$	1.8 V power domain.
TP_RST	31	DO	TP reset	$V_{OLmax} = 0.45\text{ V}$ $V_{OHmin} = 1.35\text{ V}$	1.8 V power domain. Active low.
TP_I2C_SCL	47	OD	TP I2C clock		Externally pull them up to 1.8 V.
TP_I2C_SDA	48	OD	TP I2C data		Can be used for other I2C devices.

LCM Interface

Pin Name	Pin No.	I/O	Description	DC Characteristics	Comment
PWM	29	DO	PWM output	$V_{OLmax} = 0.45\text{ V}$ $V_{OHmax} = V_{BAT_BB}$	Adjusts backlight brightness.
LCD_RST	49	DO	LCD reset	$V_{OLmax} = 0.45\text{ V}$ $V_{OHmin} = 1.35\text{ V}$	1.8 V power domain.
LCD_TE	50	DI	LCD tearing effect	$V_{ILmax} = 0.63\text{ V}$ $V_{IHmin} = 1.17\text{ V}$	
DSI_CLK_N	52	AO	LCD MIPI clock (-)		
DSI_CLK_P	53	AO	LCD MIPI clock (+)		
DSI_LN0_N	54	AO	LCD MIPI data 0 (-)		
DSI_LN0_P	55	AO	LCD MIPI data 0 (+)		
DSI_LN1_N	56	AO	LCD MIPI data 1 (-)		
DSI_LN1_P	57	AO	LCD MIPI data 1 (+)		
DSI_LN2_N	58	AO	LCD MIPI data 2 (-)		

DSI_LN2_P	59	AO	LCD MIPI data 2 (+)		
DSI_LN3_N	60	AO	LCD MIPI data 3 (-)		
DSI_LN3_P	61	AO	LCD MIPI data 3 (+)		
Camera Interfaces					
Pin Name	Pin No.	I/O	Description	DC Characteristics	Comment
CSI1_CLK_N	63	AI	Camera MIPI clock (-)		
CSI1_CLK_P	64	AI	Camera MIPI clock (+)		
CSI1_LN0_N	65	AI	Camera MIPI data 0 (-)		
CSI1_LN0_P	66	AI	Camera MIPI data 0 (+)		
CSI1_LN1_N	67	AI	Camera MIPI data 1 (-)		
CSI1_LN1_P	68	AI	Camera MIPI data 1 (+)		
CSI1_LN3_N	70	AI	Camera MIPI data 3 (-)		
CSI1_LN3_P	71	AI	Camera MIPI data 3 (+)		
CSI1_LN2_N	72	AI	Camera MIPI data 2 (-)		
CSI1_LN2_P	73	AI	Camera MIPI data 2 (+)		
CSI0_CLK_N	157	AI	Camera MIPI clock (-)		
CSI0_CLK_P	196	AI	Camera MIPI clock (+)		
CSI0_LN0_N	158	AI	Camera MIPI data 0 (-)		
CSI0_LN0_P	197	AI	Camera MIPI data 0 (+)		
CSI0_LN1_N	159	AI	Camera MIPI data 1 (-)		
CSI0_LN1_P	198	AI	Camera MIPI data 1 (+)		

CSI0_LN2_N	160	AI	Camera MIPI data 2 (-)		
CSI0_LN2_P	199	AI	Camera MIPI data 2 (+)		
CSI0_LN3_N	161	AI	Camera MIPI data 3 (-)		
CSI0_LN3_P	200	AI	Camera MIPI data 3 (+)		
CAM0_MCLK	74	DO	Clock of camera		
CAM1_MCLK	75	DO	Clock of camera		
CAM0_RST	79	DO	Reset of camera	$V_{OLmax} = 0.45\text{ V}$ $V_{OHmin} = 1.35\text{ V}$	1.8 V power domain.
CAM0_PWDN	80	DO	Power down of camera		
CAM1_RST	81	DO	Reset of camera		
CAM1_PWDN	82	DO	Power down of camera		
CAM_I2C_SCL	83	OD	I2C clock of camera		Externally pull them up to 1.8 V.
CAM_I2C_SDA	84	OD	I2C data of camera		
CAM2_MCLK	165	DO	Clock of camera		
CAM2_RST	164	DO	Reset of camera	$V_{OLmax} = 0.45\text{ V}$ $V_{OHmin} = 1.35\text{ V}$	1.8 V power domain.
CAM2_PWDN	163	DO	Power down of camera		
DCAM_I2C_SCL	166	OD	I2C clock of camera		Externally pull them up to 1.8 V.
DCAM_I2C_SDA	205	OD	I2C data of camera		

Keypad Interfaces

Pin Name	Pin No.	I/O	Description	DC Characteristics	Comment
PWRKEY	114	DI	Turns on/off the module	$V_{ILmax} = 0.63\text{ V}$ $V_{IHmin} = 1.17\text{ V}$	Pulled up to 1.8 V internally. Active low.
RESET_N	225	DI	Resets the module		Disabled by default and can be enabled via software configuration.

VOL_UP	95	DI	Volume up	$V_{ILmax} = 0.63\text{ V}$ $V_{IHmin} = 1.17\text{ V}$	If it is not used, keep it open. Cannot be externally pulled up. 1.8 V power domain.
VOL_DOWN	96	DI	Volume down	$V_{ILmax} = 0.63\text{ V}$ $V_{IHmin} = 1.17\text{ V}$	If it is not used, keep it open. Cannot be externally pulled up. 1.8 V power domain.

SENSOR_I2C Interface

Pin Name	Pin No.	I/O	Description	DC Characteristics	Comment
SENSOR_I2C_SCL	91	OD	I2C clock of external sensor		Dedicated for external sensors. Cannot be used for touch panel, NFC, I2C keyboard, etc. Externally pull them up to 1.8 V.
SENSOR_I2C_SDA	92	OD	I2C data of external sensor		

Charging Interface

Pin Name	Pin No.	I/O	Description	DC Characteristics	Comment
BAT_SNS	133	AI	Battery voltage detect		The maximum input voltage is 4.2 V.
BAT_THERM	134	AI	Battery temperature detect		Internally pulled up. Supports 47 kΩ NTC thermistor by default - externally connect it to the 47 kΩ NTC thermistor. If it is not used, connect it to GND with a 47 kΩ resistor.
BAT_ID	185	AI	Battery type detect	$V_I = 0.1\text{--}1.7\text{ V}$	Internally pulled down with a 100 kΩ resistor. If it is not used, keep it open.

CHG_SEL	127	DI	Charging select		If you use an internal charging chip, keep this pin open. If you use an external charging chip, connect it to GND.
---------	-----	----	-----------------	--	---

ADC Interface

Pin Name	Pin No.	I/O	Description	DC Characteristics	Comment
ADC	128	AI	General-purpose ADC interface		The maximum input voltage is 1.7 V.

Antenna Interfaces

Pin Name	Pin No.	I/O	Description	DC Characteristics	Comment
ANT_MAIN	87	AIO	Main antenna interface		
ANT_DRX	131	AI	Rx-diversity antenna interface		50 Ω impedance.
ANT_GNSS ²⁾	121	AI	GNSS antenna interface		
ANT_WIFI/BT	77	AIO	Wi-Fi/Bluetooth antenna interface		

GPIO Interfaces

Pin Name	Pin No.	I/O	Description	DC Characteristics	Comment
GPIO_33	33	DIO	General-purpose input/output		
GPIO_25	90	DIO	General-purpose input/output		
GPIO_130	97	DIO	General-purpose input/output	$V_{ILmax} = 0.63\text{ V}$ $V_{IHmin} = 1.17\text{ V}$ $V_{OLmax} = 0.45\text{ V}$ $V_{OHmin} = 1.4\text{ V}$	1.8 V power domain.
GPIO_45	98	DIO	General-purpose input/output		
GPIO_48	99	DIO	General-purpose input/output		
GPIO_59	100	DIO	General-purpose input/output		
GPIO_12	101	DIO	General-purpose input/output		

GPIO_13	102	DIO	General-purpose input/output
GPIO_95	103	DIO	General-purpose input/output
GPIO_94	104	DIO	General-purpose input/output
GPIO_87	105	DIO	General-purpose input/output
GPIO_66	106	DIO	General-purpose input/output
GPIO_43	107	DIO	General-purpose input/output
GPIO_63	108	DIO	General-purpose input/output
GPIO_44	109	DIO	General-purpose input/output
GPIO_42	110	DIO	General-purpose input/output
GPIO_93	112	DIO	General-purpose input/output
GPIO_46	113	DIO	General-purpose input/output
GPIO_89	115	DIO	General-purpose input/output
GPIO_23	116	DIO	General-purpose input/output
GPIO_22	117	DIO	General-purpose input/output
GPIO_21	118	DIO	General-purpose input/output
GPIO_20	119	DIO	General-purpose input/output
GPIO_62	123	DIO	General-purpose input/output
GPIO_47	124	DIO	General-purpose input/output
GPIO_6	167	DIO	General-purpose input/output
GPIO_7	168	DIO	General-purpose input/output
GPIO_127	169	DIO	General-purpose input/output

GPIO_34	170	DIO	General-purpose input/output		
GPIO_90	177	DIO	General-purpose input/output		
GPIO_39	201	DIO	General-purpose input/output		
GPIO_86	239	DIO	General-purpose input/output		
GPIO_88	264	DIO	General-purpose input/output		Cannot be pulled up during power-on. 1.8 V power domain.
GPIO_85	265	DIO	General-purpose input/output		1.8 V power domain.
GPIO_61	267	DIO	General-purpose input/output		1.8 V power domain.

GNSS LNA Enable Interface

Pin Name	Pin No.	I/O	Description	DC Characteristics	Comment
GNSS_LNA_EN	194	DIO	External GNSS LNA enable		Cannot be multiplexed into a generic GPIO.

GRFC Interfaces

Pin Name	Pin No.	I/O	Description	DC Characteristics	Comment
RFFE3_CLK	260	DIO	GRFC used for RF tuner control		Cannot be multiplexed into generic GPIOs.
RFFE3_DATA	262	DIO	GRFC used for RF tuner control		

Emergency Download Interface

Pin Name	Pin No.	I/O	Description	DC Characteristics	Comment
USB_BOOT	46	DI	Forces the module into emergency download mode		You can force the module to enter emergency download mode by pulling this pin up to LDO5_1V8 during power-on.

Motor Drive Interface

Pin Name	Pin No.	I/O	Description	DC Characteristics	Comment
VIB_DRV_N	28	PO	Vibration motor driver output control	$V_O = 1.2\text{--}3.1\text{ V}$ $I_{Omax} = 175\text{ mA}$	Connect it to the negative pole of the motor.

Indication Interface

Pin Name	Pin No.	I/O	Description	DC Characteristics	Comment
CHG_LED	195	AO	Indicates the module's charging status	$I_{Omax} = 5\text{ mA}$	

Other Interfaces

Pin Name	Pin No.	I/O	Description	DC Characteristics	Comment
NFC_CLK	181	DO	NFC clock		
NFC_CLK_REQ	182	DI	NFC clock request		
CBL_PWR_N	186	DI	Initiates power-on when grounded		The module cannot be turned off when this pin is pulled down. If it is not used, keep it open.

Reserved Pins

Pin Name	Pin No.	Comment
RESERVED	150–152, 173–175, 178–180, 183, 184, 192, 232, 242, 246, 249, 252–254, 257, 263, 270	Keep these pins open.

NOTE

- ¹⁾ When the module is in sleep mode, LDO6_1V8 wakes up periodically or randomly. Considering the actual requirement for power consumption during sleep mode, you can use either LDO6_1V8 or an external LDO for power supply. For lower power consumption, use an external LDO instead.
- ²⁾ SC200R-WF/SC262R-WF does not support GNSS.

3.4. Power Supply

3.4.1. Power Supply Pins

SC200R series module provides two VBAT_RF pins and two VBAT_BB pins for connection with the external power supply. The VBAT_RF pins are used for the RF part of the module and the VBAT_BB pins are used for the baseband part of the module.

3.4.2. Decrease Voltage Drop

The power supply range of the module is 3.55–4.2 V, and the recommended value is 3.8 V. The power supply performance, such as load capacity, voltage ripple, etc. directly influences the module’s performance and stability. Under ultimate conditions, the transient peak current of the module may surge up to 3 A. If the power supply capacity is not sufficient, there will be the risk that the voltage drops below 3.1 V and as a result the module powers off automatically. Therefore, make sure the input voltage never drops below 3.1 V.

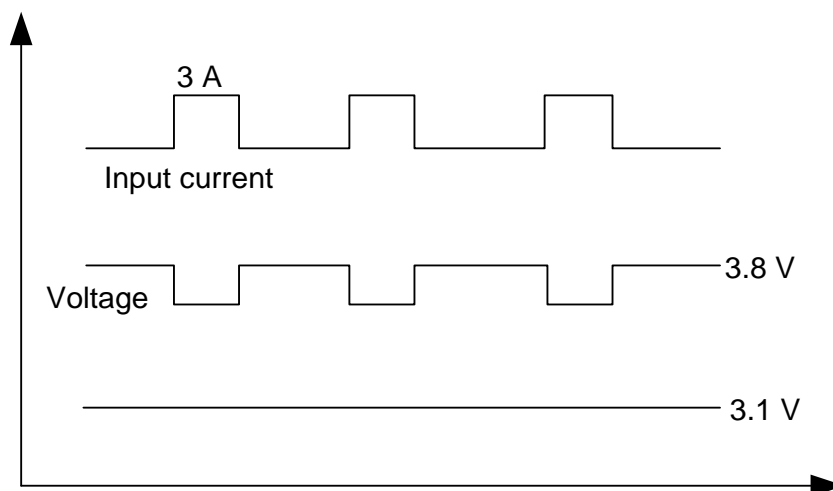


Figure 2: Voltage Drop Sample

To decrease voltage drop, use a bypass capacitor of about 100 μF with low ESR (ESR = 0.7 Ω), and reserve a multi-layer ceramic chip capacitor (MLCC) array due to its ultra-low ESR. It is recommended to use three ceramic capacitors (100 nF, 33 pF, 10 pF) to compose the MLCC array and place these capacitors close to VBAT_BB/VBAT_RF pins. Additionally, add a 4.7 μF capacitor in parallel. The main power supply from an external application has to be a single voltage source and can be expanded to two sub paths with star structure. The width of VBAT trace should be no less than 3 mm. In principle, the longer the VBAT trace is, the wider it should be.

In addition, in order to get a stable power source, it is suggested to use a TVS and place it as close to the VBAT_BB/VBAT_RF pins as possible to enhance surge protection. The following figure shows the star structure of the power supply.

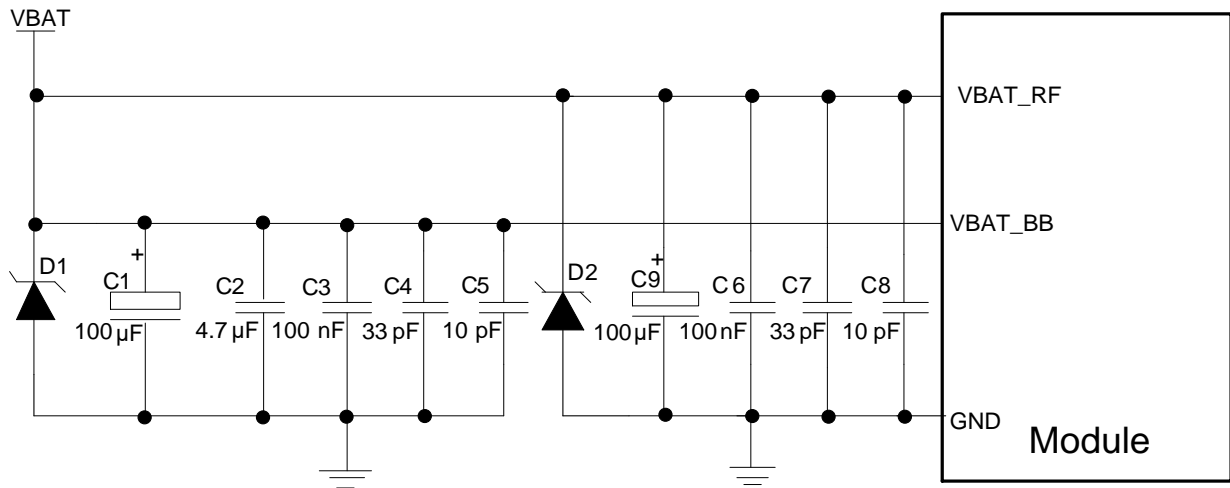


Figure 3: Star Structure of the Power Supply

3.4.3. Reference Design for Power Supply

The power design for the module is very important, as the performance of the module largely depends on the power source. The power supply of SC200R series module should be able to provide sufficient current of at least 3 A. If the voltage drop between the input and output is not too high, it is suggested to use an LDO to supply power for the module. If there is a big voltage difference between the input source and the desired output (VBAT), a buck converter is recommended.

The following figure shows a reference design for +5 V input power source. The typical output voltage is 3.8 V and the maximum load current is 5.0 A.

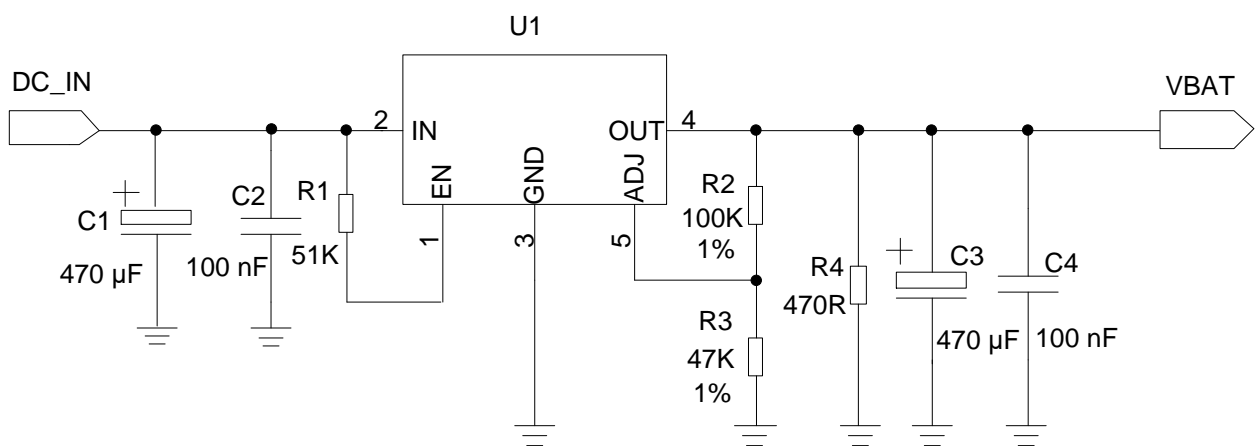


Figure 4: Reference Circuit of Power Supply

NOTES

1. It is recommended to switch off the power supply when the module is in abnormal state, and then switch on the power to restart the module.
2. The module supports battery charging by default. If the above power supply design is adopted, make sure the charging function is disabled by software, or connect VBAT to a Schottky diode in series to avoid the reverse current to the power supply chip.

3.5. Turn on and off Scenarios

3.5.1. Turn on the Module Using PWRKEY

The module can be turned on by driving the PWRKEY pin low for at least 1.6 s. The PWRKEY pin is pulled up to 1.8 V internally. It is recommended to use an open drain/collector driver to control PWRKEY. A simple reference circuit is illustrated in the following figure.

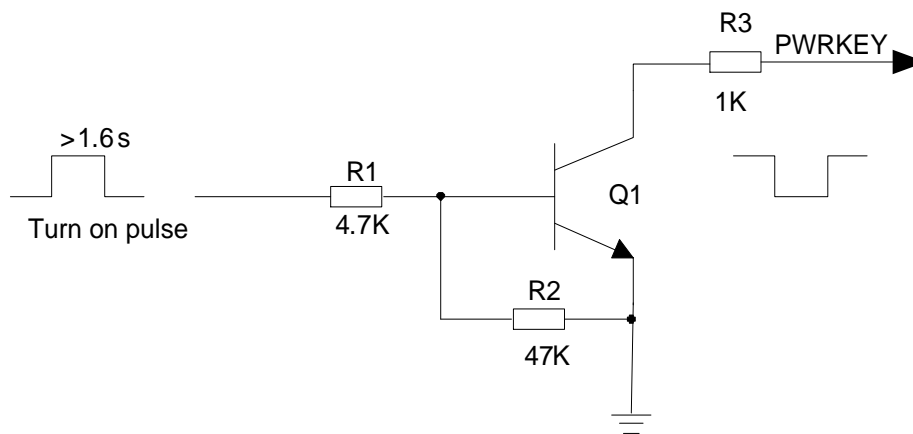


Figure 5: Turn on the Module Using Driving Circuit

The other way to control PWRKEY is by using a button directly. You must place a TVS component nearby the button for ESD protection. A reference circuit is shown in the following figure.

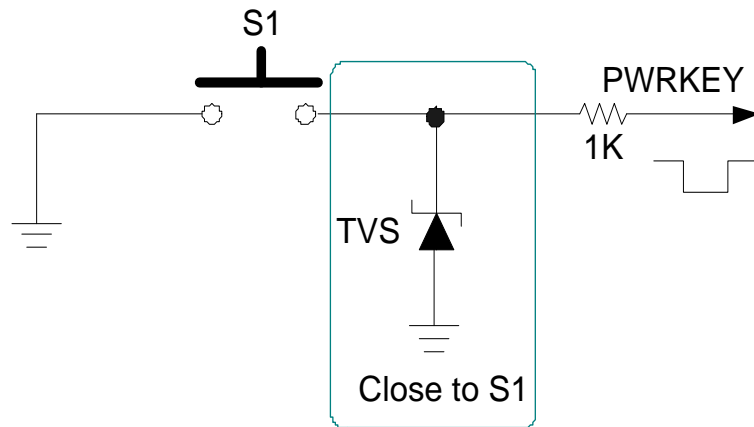


Figure 6: Turn on the Module Using Keystroke

The turning-on scenario is illustrated in the following figure.

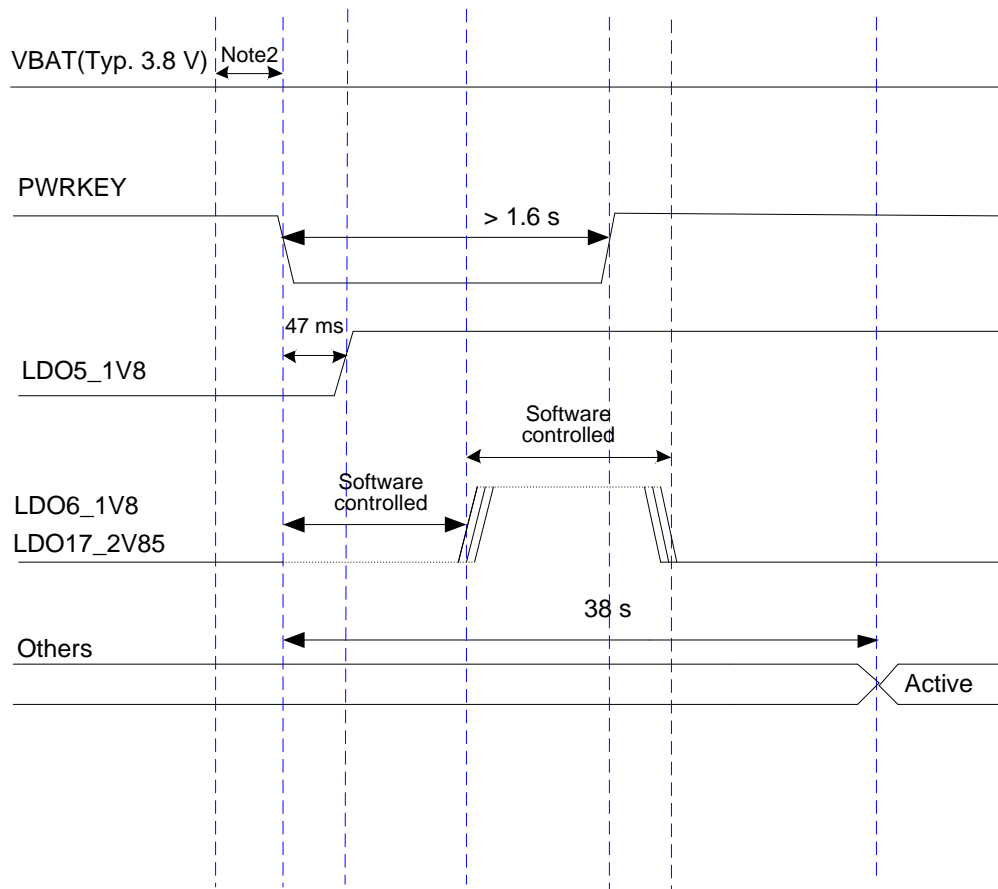


Figure 7: Timing of Turning on the Module

NOTES

1. When the module is powered on for the first time, its timing of turning on may be different from that shown above.
2. Make sure that VBAT is stable before pulling down PWRKEY. It is recommended to wait until VBAT to be stable at 3.8 V for at least 30 ms before pulling down PWRKEY. Additionally, PWRKEY cannot be kept pulled down all the time.

3.5.2. Turn off the Module

Drive the PWRKEY pin low for at least 1 s, and then choose to turn off the module when the prompt window comes up.

You can also force the module to power off by driving PWRKEY low for at least 8 s. The forced power-down scenario is illustrated in the following figure.

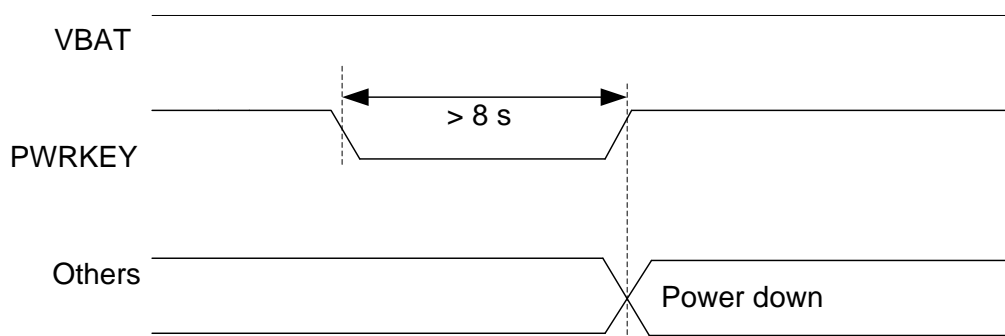


Figure 8: Timing of Turning off the Module

3.6. VRTC Interface

The RTC (Real Time Clock) can be powered by an external power source through VRTC when the module is powered down and there is no power supply for VBAT. The external power source can be a rechargeable battery (such as a coin cell) according to application demands. A reference circuit design is shown below.

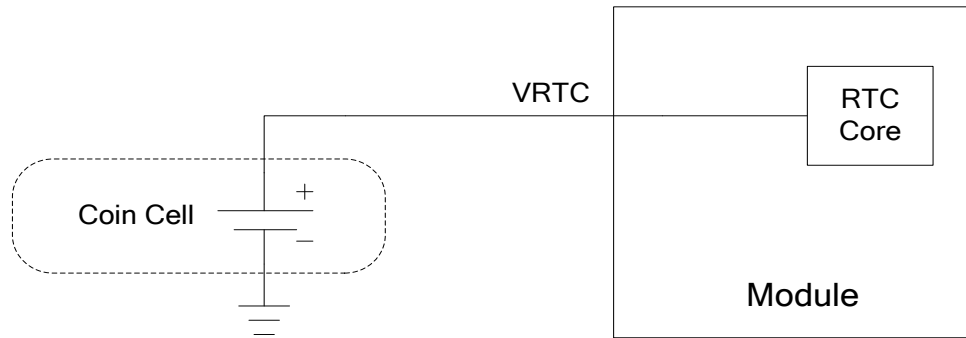


Figure 9: RTC Powered by Coin Cell

If RTC is ineffective, it can be synchronized through the network after the module is powered on. The recommended input voltage range for VRTC is 2.0–3.25 V and the recommended typical value is 3.0 V.

3.7. Power Output

SC200R series module supports output of regulated voltages for peripheral circuits. During application, it is recommended to connect a 33 pF and a 10 pF capacitor in parallel in the circuit to suppress high-frequency noise.

Table 10: Power Description

Pin Name	Default Voltage (V)	Driving Current (mA)	@ Idle State
LDO5_1V8	1.8	20	Keeps ON
LDO6_1V8 ¹⁾	1.8	150	-
LDO10_2V85	2.85	150	-
LDO17_2V85	2.85	450	-
LDO16_2V8	2.8	55	-
SD_LDO12	1.8/2.95	50	-
SD_LDO11	2.95	800	-
USIM1_VDD	1.8/2.95	55	-
USIM2_VDD	1.8/2.95	55	-

NOTE

1) When the module is in sleep mode, LDO6_1V8 wakes up periodically or randomly. Considering the actual requirement for power consumption during sleep mode, you can use either LDO6_1V8 or an external LDO for power supply. If you require lower power consumption during sleep mode, use an external LDO for power supply.

3.8. Battery Charging and Management

SC200R series module supports battery charging. The battery charger IC in the module supports trickle charging, constant current charging and constant voltage charging modes, which optimize the charging procedure for Li-ion batteries.

- **Trickle charging:** There are two steps in this mode. When the battery voltage is below 2.8 V, a 90 mA trickle charging current is applied to the battery. When the battery voltage is charged up and is between 2.8 V and 3.2 V, the charging current can be set to 450 mA maximally.
- **Constant current mode (CC mode):** When the battery is increased to 3.2–4.2 V, the system will switch to CC mode. The maximum charging current is 1.44 A when an adapter is used for battery charging, and the maximum charging current is 450 mA for USB charging.
- **Constant voltage mode (CV mode):** When the battery voltage reaches the final value 4.2 V, the system will switch to CV mode and the charging current will decrease gradually. When the battery level reaches 100 %, charging is completed.

Table 11: Pin Definition of Charging Interface

Pin Name	Pin No.	I/O	Description	Comment
BAT_SNS	133	AI	Battery voltage detect	The maximum input voltage is 4.2 V.
BAT_THERM	134	AI	Battery temperature detect	Internally pulled up. Supports 47 kΩ NTC thermistor by default - externally connect it to the 47 kΩ NTC thermistor. If it is not used, connect it to GND with a 47 kΩ resistor.
BAT_ID	185	AI	Battery type detect	Internally pulled down with a 100 kΩ resistor. If it is not used, keep it open.

CHG_SEL 127 DI Charging select

If you use an internal charging chip, keep this pin open.
If you use an external charging chip, connect it to GND.

SC200R series module supports battery temperature detection in the condition that the battery integrates a thermistor (47 kΩ 1 % NTC thermistor with a B-constant of 4050 K by default) and the thermistor is connected to BAT_THERM pin. If the BAT_THERM pin is not connected, there will be malfunctions such as battery charging failure, battery level display error, etc. The default battery temperature range is -3.0 °C to 48.5 °C.

A reference design for the battery charging circuit is shown below.

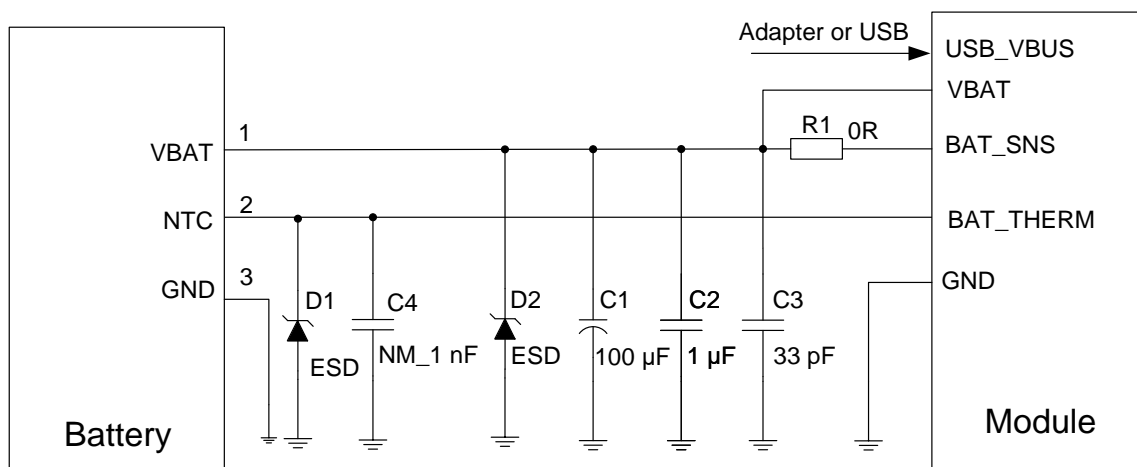


Figure 10: Reference Design for Battery Charging Circuit

Mobile devices such as mobile phones or handheld POS systems are powered by batteries. For different batteries, you should modify the charging and discharging curve correspondingly to achieve the best performance.

If the thermistor is not available in the battery, or an adapter is utilized to power the module, you must connect BAT_THERM to GND via a 47 kΩ resistor. Otherwise, the system may mistakenly judge that the battery temperature is abnormal, and therefore cause battery charging failure.

BAT_SNS must be connected. Otherwise, the module will have abnormalities in voltage detection, as well as associated problems with power-on/off and battery charging/discharging.

3.9. USB Interface

SC200R series module provides one integrated Universal Serial Bus (USB) interface which complies with USB 2.0 specification and supports high-speed (480 Mbps) and full-speed (12 Mbps) modes. The USB interface supports USB OTG and is used for AT command communication, data transmission, software debugging and firmware upgrade.

The following table shows the pin definition of USB interface.

Table 12: Pin Definition of USB Interface

Pin Name	Pin No.	I/O	Description	Comment
USB_VBUS	141, 142	PI	Charging power input; USB 5 V power input; USB/adaptor insertion detection	Vmax = 6.2 V Vmin = 4.35 V Vnom = 5.0 V
USB_DM	13	AIO	USB 2.0 differential data (-)	USB 2.0 standard compliant.
USB_DP	14	AIO	USB 2.0 differential data (+)	90 Ω differential impedance.
USB_ID	16	AI	USB ID detect	High level by default.

For the design of USB 2.0 interface, it is recommended to connect USB_ID directly to the USB_ID pin of the external USB port for USB ID detection. When you insert a device into the external USB port, the USB_ID pin of the module will be pulled down to make the module enter host mode.

You can choose either to support USB OTG or not. The following figures show the reference designs.

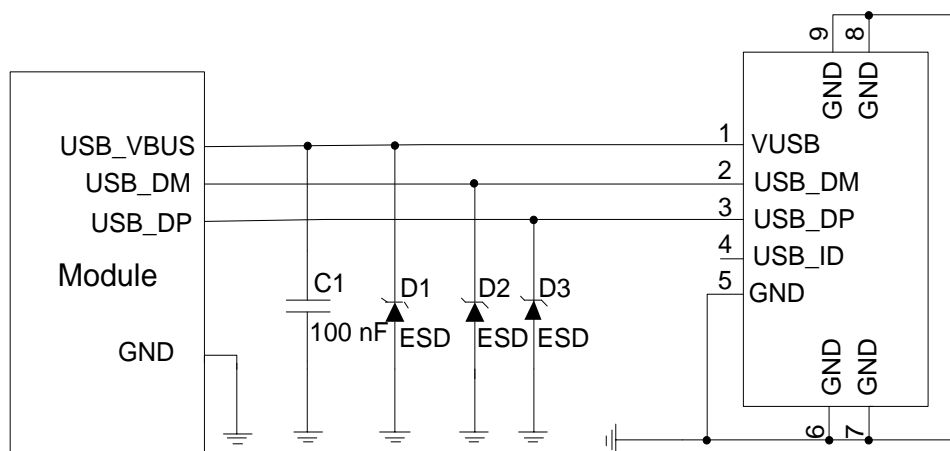


Figure 11: USB Interface Reference Design (OTG Not Supported)

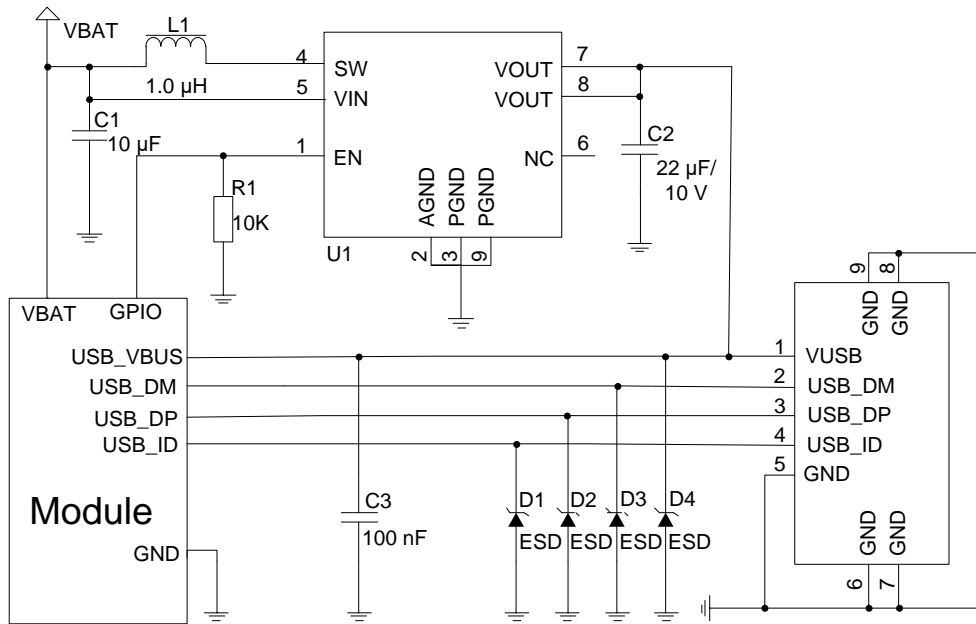


Figure 12: USB Interface Reference Design (OTG Supported)

In order to ensure USB performance, comply with the following principles when designing the USB interface.

- Route the USB signal traces as a differential pair with total grounding. The impedance of USB differential trace should be controlled to 90 Ω.
- Keep the ESD protection devices as close as possible to the USB connector. Pay attention to the influence of junction capacitance of ESD protection devices on USB data lines. Typically, the capacitance value should be less than 2 pF.
- Do not route signal traces under crystals, oscillators, magnetic devices or RF signal traces. Route the USB differential traces in inner-layer with ground shielding on not only the upper and lower layers but also the right and left sides.
- Make sure the trace length difference between USB 2.0 differential data signals is less than 0.7 mm.

Table 13: USB Trace Length Inside the Module

Pin No.	Signal	Length (mm)	Length Difference (DP - DM)
13	USB_DM	32.25	-0.10
14	USB_DP	32.15	

3.10. UART Interfaces

SC200R series module provides three UART interfaces and supports up to 4 Mbps:

- **UART5:** 4-wire UART interface, and hardware flow control is supported
- **UART2 (debug UART):** 2-wire UART interface, used for debugging by default
- **UART1:** 2-wire UART interface

Table 14: Pin Definition of UART Interfaces

Pin Name	Pin No.	I/O	Description	Comment
UART5_TXD	34	DO	UART5 transmit	
UART5_RXD	35	DI	UART5 receive	
UART5_CTS	36	DI	UART5 clear to send	
UART5_RTS	37	DO	UART5 request to send	1.8 V power domain.
DBG_RXD	93	DI	UART2 receive (debug UART by default)	If not used, keep these pins open.
DBG_TXD	94	DO	UART2 transmit (debug UART by default)	
UART1_RXD	153	DI	UART1 receive	
UART1_TXD	154	DO	UART1 transmit	

UART5 is a 4-wire UART interface with 1.8 V power domain. You should use a level translator if your application is equipped with a 3.3 V UART interface. The following figure shows the reference design.

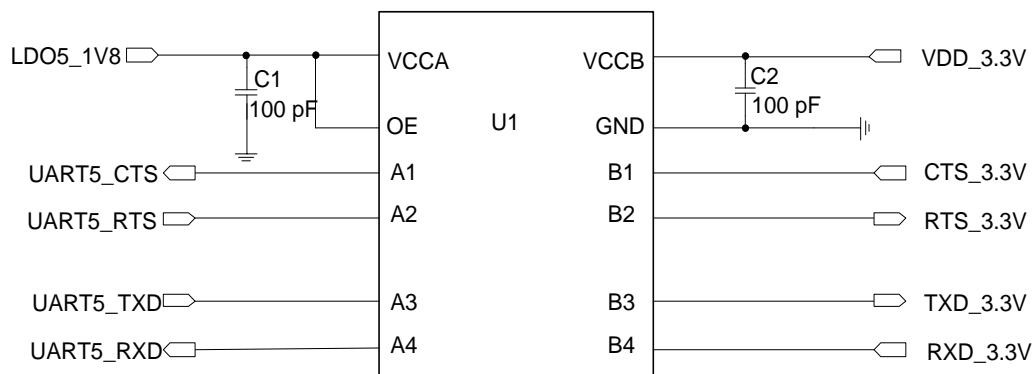


Figure 13: Reference Circuit with Level Translator Chip (for UART5)

The following figure is an example of connection between the module and PC. It is recommended to add a level translator and an RS-232 level translator chip between the module and PC. The following figure shows the reference design.

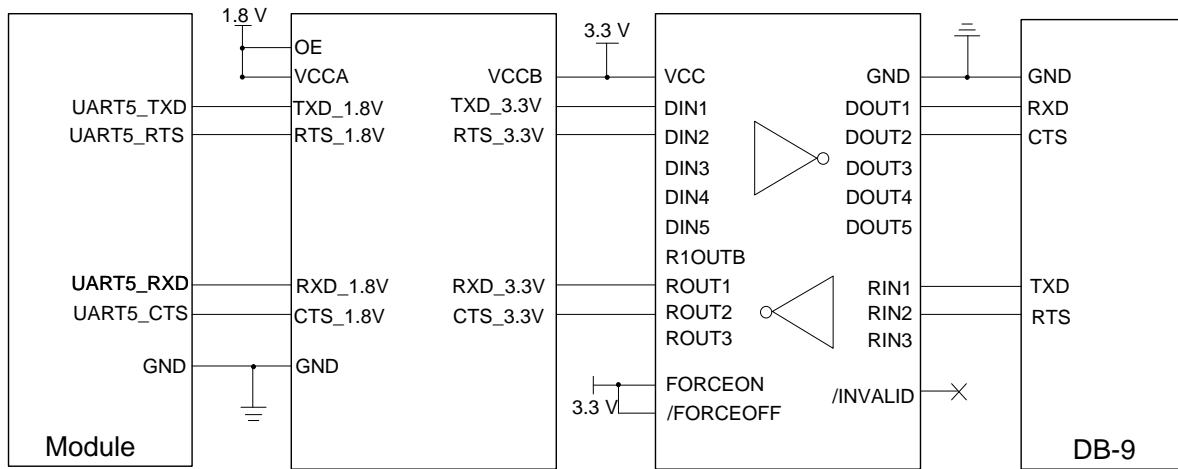


Figure 14: RS-232 Level Match Circuit (for UART5)

NOTE

UART2 and UART1 are similar to UART5. For the reference design, refer to that of UART5.

3.11. (U)SIM Interfaces

SC200R series module provides two (U)SIM interfaces that meet ETSI and IMT-2000 requirements. Dual SIM Dual Standby is supported by default. Either 1.8 V or 2.95 V (U)SIM card is supported, and the (U)SIM card is powered by the internal power supply of the module.

Table 15: Pin Definition of (U)SIM Interfaces

Pin Name	Pin No.	I/O	Description	Comment
USIM2_DET	17	DI	(U)SIM2 card hot-plug detect	Active low. Externally pull it up to 1.8 V. If it is not used, keep it open. This function is disabled by default via software. Cannot be multiplexed into a generic GPIO.

USIM2_RST	18	DO	(U)SIM2 card reset	
USIM2_CLK	19	DO	(U)SIM2 card clock	Cannot be multiplexed into generic GPIOs.
USIM2_DATA	20	DIO	(U)SIM2 card data	
USIM2_VDD	21	PO	(U)SIM2 card power supply	Either 1.8 V or 2.95 V (U)SIM card is supported. Active low. Externally pull it up to 1.8 V. If it is not used, keep it open.
USIM1_DET	22	DI	(U)SIM1 card hot-plug detect	This function is disabled by default via software. Cannot be multiplexed into a generic GPIO.
USIM1_RST	23	DO	(U)SIM1 card reset	
USIM1_CLK	24	DO	(U)SIM1 card clock	Cannot be multiplexed into generic GPIOs.
USIM1_DATA	25	DIO	(U)SIM1 card data	
USIM1_VDD	26	PO	(U)SIM1 card power supply	Either 1.8 V or 2.95 V (U)SIM card is supported.

SC200R series module supports (U)SIM card hot-plug via the USIM_DET pin. (This function is disabled by default via software. To enable it, contact Quectel Technical Supports to change the software configuration.) A reference circuit for (U)SIM interface with an 8-pin (U)SIM card connector is shown below.

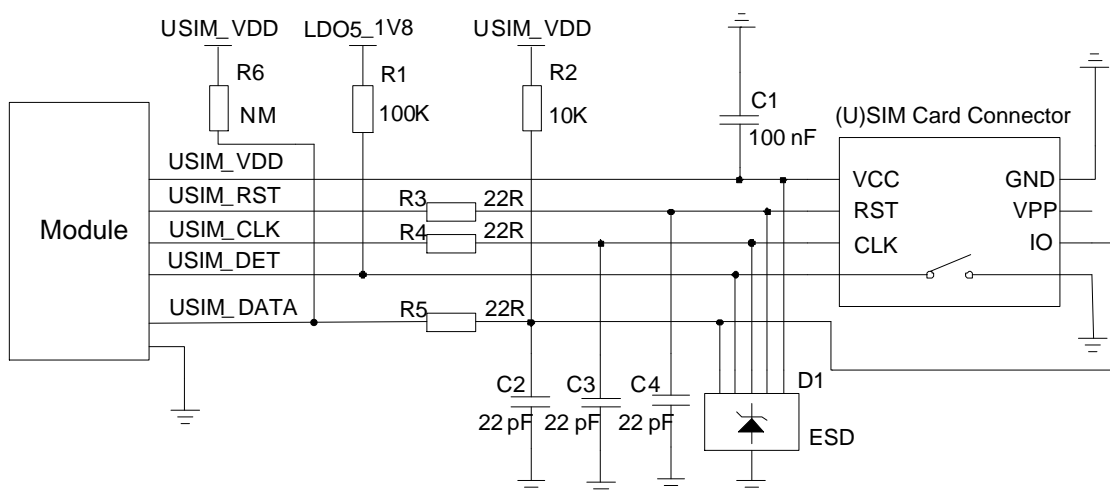


Figure 15: Reference Circuit for (U)SIM Interface with an 8-pin (U)SIM Card Connector

If you do not need to use USIM_DET, keep this pin open. The following is a reference circuit for (U)SIM interface with a 6-pin (U)SIM card connector.

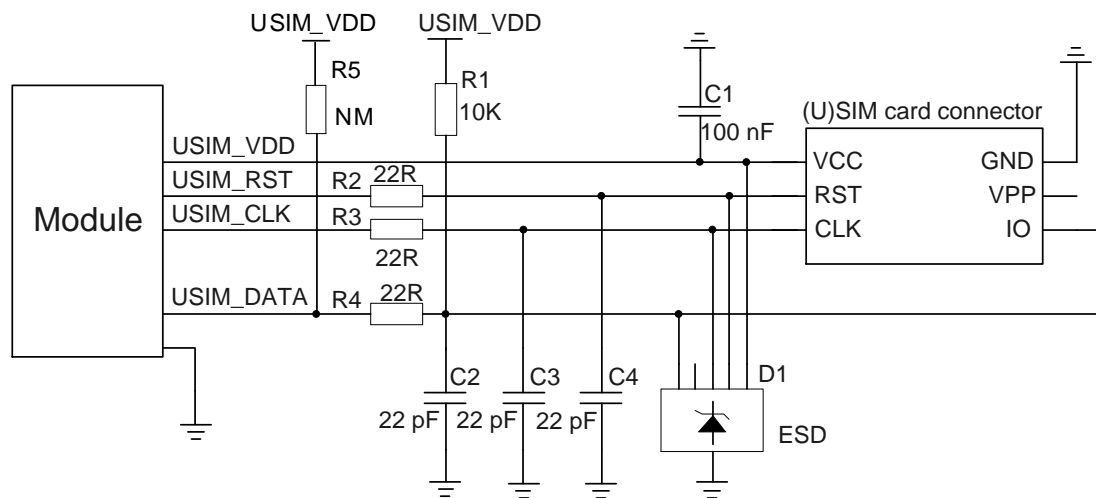


Figure 16: Reference Circuit for (U)SIM Interface with a 6-pin (U)SIM Card Connector

In order to ensure good performance and avoid damage of (U)SIM cards, follow the criteria listed below during (U)SIM circuit design:

- Place the (U)SIM card connector as close to the module as possible. Keep the trace length of (U)SIM card signals as less than 200 mm as possible.
- Keep (U)SIM card signals away from RF and VBAT traces.
- Reserve a filter capacitor for USIM_VDD, and its maximum capacitance should not exceed 1 μF. Additionally, place the capacitor near the (U)SIM card connector.
- To avoid cross-talk between USIM_DATA and USIM_CLK, keep them away from each other and shield them with ground. USIM_RST also needs ground protection.
- In order to ensure good ESD protection, it is recommended to add a TVS diode array with parasitic capacitance not exceeding 50 pF. Add 22 Ω resistors in series between the module and (U)SIM card to suppress EMI spurious transmission and enhance ESD protection. Please note that the (U)SIM peripheral circuit should be close to the (U)SIM card connector.
- Add 22 pF capacitors in parallel on USIM_DATA, USIM_CLK and USIM_RST signal lines to filter RF interference, and place them as close to the (U)SIM card connector as possible.
- Place the reserved pull-up resistors R6 and R5 in **Figure 16** and **17** close to the module.

3.12. SD Card Interface

SD Card interface of SC200R series module supports SD 3.0 protocol. The pin definition of SD card interface is shown below.

Table 16: Pin Definition of SD Card Interface

Pin Name	Pin No.	I/O	Description	Comment
SD_CLK	39	DO	SD card clock	
SD_CMD	40	DIO	SD card command	
SD_DATA0	41	DIO	SDIO data bit 0	50 Ω characteristic impedance.
SD_DATA1	42	DIO	SDIO data bit 1	
SD_DATA2	43	DIO	SDIO data bit 2	
SD_DATA3	44	DIO	SDIO data bit 3	
SD_DET	45	DI	SD card hot-plug detect	Active low.
SD_LDO11	38	PO	2.95 V output power supply for SD card	Vnom = 2.95 V Iomax = 800 mA
SD_LDO12	32	PO	1.8/2.95 V output power supply for SD card pull-up circuits.	Vnom = 1.8/2.95 V Iomax = 50 mA

A reference circuit for the SD card interface is shown below.

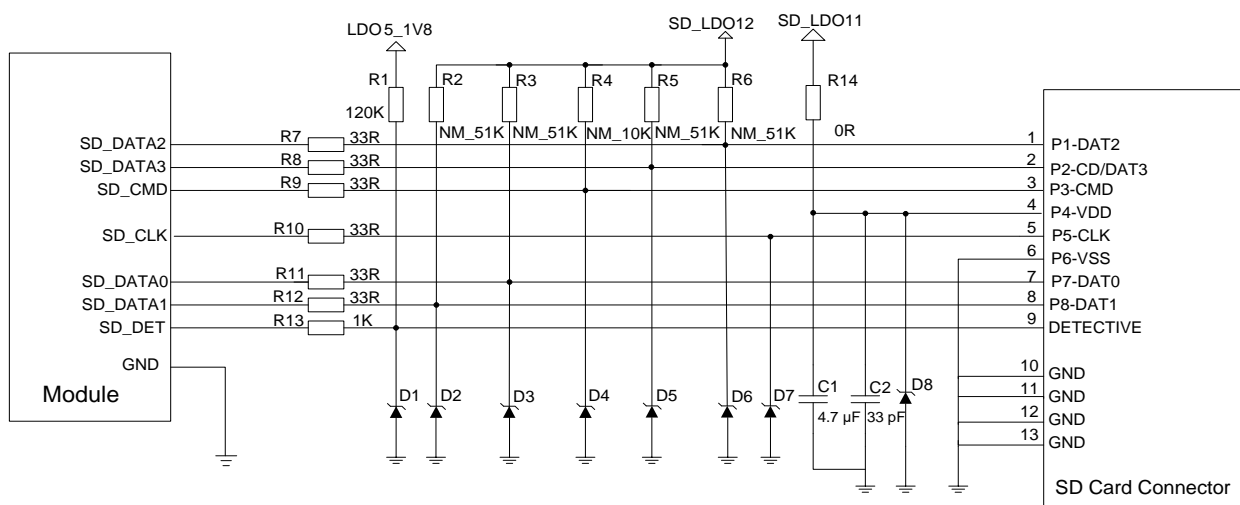


Figure 17: Reference Circuit for SD Card Interface

SD_LDO11 is the power supply for the SD card and can provide up to 800 mA output current. Due to the high output current, it is recommended that the trace width should be at least 0.8 mm. In order to ensure stability of output current, add a 4.7 μ F and a 33 pF capacitor in parallel near the SD card connector.

SD_CMD, SD_CLK, SD_DATA0, SD_DATA1, SD_DATA2, and SD_DATA3 are all high-speed signal lines. In PCB design, control the characteristic impedance of them to 50 Ω , and do not cross them with other traces. It is recommended to route the traces on the inner layer of PCB and keep them of the same length. Additionally, SD_CLK needs ground shielding separately.

Layout guidelines:

- Control the impedance to 50 $\Omega \pm 10\%$ and add ground shielding.
- The trace length difference between SD_CLK and other signal traces like SD_CMD and SD_DATA should not exceed 1 mm.

Table 17: SD Card Trace Length Inside the Module

Pin No.	Signal	Length (mm)
39	SD_CLK	21.50
40	SD_CMD	21.40
41	SD_DATA0	21.45
42	SD_DATA1	21.60
43	SD_DATA2	21.40
44	SD_DATA3	21.35

3.13. GPIO Interfaces

SC200R series module has abundant GPIO interfaces with a power domain of 1.8 V. The pin definition is listed below.

Table 18: Pin Definition of GPIO Interfaces

Pin Name	Pin No.	GPIO No.	Default State	Comment
GPIO_6	167	GPIO_6	B-PD:nppukp ¹⁾	
GPIO_7	168	GPIO_7	B-PD:nppukp	
GPIO_12	101	GPIO_12	B-PD:nppukp	Wakeup ²⁾
GPIO_13	102	GPIO_13	B-PD:nppukp	Wakeup
GPIO_20	119	GPIO_20	B-PD:nppukp	
GPIO_21	118	GPIO_21	B-PD:nppukp	Wakeup
GPIO_22	117	GPIO_22	B-PD:nppukp	
GPIO_23	116	GPIO_23	B-PD:nppukp	
GPIO_25	90	GPIO_25	B-PD:nppukp	Wakeup
GPIO_33	33	GPIO_33	B-PD:nppukp	
GPIO_34	170	GPIO_34	B-PD:nppukp	Wakeup
GPIO_39	201	GPIO_39	B-PD:nppukp	
GPIO_42	110	GPIO_42	B-PD:nppukp	Wakeup
GPIO_43	107	GPIO_43	B-PD:nppukp	Wakeup
GPIO_44	109	GPIO_44	B-PD:nppukp	Wakeup
GPIO_45	98	GPIO_45	B-PD:nppukp	Wakeup
GPIO_46	113	GPIO_46	B-PD:nppukp	Wakeup
GPIO_47	124	GPIO_47	B-PD:nppukp	
GPIO_48	99	GPIO_48	B-PD:nppukp	Wakeup

GPIO_59	100	GPIO_59	B-PD:nppukp	Wakeup
GPIO_61	267	GPIO_61	B-PD:nppukp	Wakeup
GPIO_62	123	GPIO_62	B-PD:nppukp	Wakeup
GPIO_63	108	GPIO_63	B-PD:nppukp	Wakeup
GPIO_66	106	GPIO_66	B-PD:nppukp	
GPIO_85	265	GPIO_85	B-PD:nppukp	
GPIO_86	239	GPIO_86	B-PD:nppukp	Wakeup
GPIO_87	105	GPIO_87	B-PD:nppukp	
GPIO_88	264	GPIO_88	B-PD:nppukp	
GPIO_89	115	GPIO_89	B-PD:nppukp	
GPIO_90	177	GPIO_90	B-PD:nppukp	Wakeup
GPIO_93	112	GPIO_93	B-PD:nppukp	Wakeup
GPIO_94	104	GPIO_94	B-PD:nppukp	
GPIO_95	103	GPIO_95	B-PD:nppukp	
GPIO_127	169	GPIO_127	B-PD:nppukp	Wakeup
GPIO_130	97	GPIO_130	B-PD:nppukp	Wakeup
SD_DET	45	GPIO_67	B-PD:nppukp	Wakeup
TP_INT	30	GPIO_65	B-PD:nppukp	Wakeup
TP_RST	31	GPIO_64	B-PD:nppukp	
TP_I2C_SCL	47	GPIO_11	B-PD:nppukp	
TP_I2C_SDA	48	GPIO_10	B-PD:nppukp	
LCD_RST	49	GPIO_60	B-PD:nppukp	
LCD_TE	50	GPIO_24	B-PD:nppukp	
CAM0_MCLK	74	GPIO_26	B-PD:nppukp	
CAM1_MCLK	75	GPIO_28	B-PD:nppukp	Wakeup

CAM0_RST	79	GPIO_128	B-PD:nppukp	Wakeup
CAM0_PWDN	80	GPIO_126	B-PD:nppukp	Wakeup
CAM1_RST	81	GPIO_129	B-PD:nppukp	
CAM1_PWDN	82	GPIO_125	B-PD:nppukp	
CAM2_MCLK	165	GPIO_27	B-PD:nppukp	
CAM2_RST	164	GPIO_38	B-PD:nppukp	Wakeup
CAM2_PWDN	163	GPIO_41	B-PD:nppukp	Wakeup
VOL_UP	95	GPIO_91	B-PD:nppukp	Wakeup
VOL_DOWN	96	GPIO_50	B-PD:nppukp	Wakeup
UART5_TXD	34	GPIO_16	B-PD:nppukp	
UART5_RXD	35	GPIO_17	B-PD:nppukp	Wakeup
UART5_CTS	36	GPIO_18	B-PD:nppukp	
UART5_RTS	37	GPIO_19	B-PD:nppukp	
UART1_TXD	154	GPIO_0	B-PD:nppukp	
UART1_RXD	153	GPIO_1	B-PD:nppukp	Wakeup

NOTES

- ¹⁾ B: Bidirectional digital with CMOS input; PD:nppukp = default pull-down with programmable options following the colon (:).
- ²⁾ Wakeup: Interrupt pins that can wake up the system.
- For more details about GPIO configuration, see **document [2]**.

3.14. I2C Interfaces

SC200R series module provides four I2C interfaces. All I2C interfaces are open drain signals and therefore you must pull them up externally. The reference power domain is 1.8 V. The SENSOR_I2C interface only supports sensors of ADSP architecture. CAM_I2C and DCAM_I2C signals are controlled by Linux Kernel code and support connection with devices related to video output.

Table 19: Pin Definition of I2C Interfaces

Pin Name	Pin No.	I/O	Description	Comment
TP_I2C_SCL	47	OD	TP I2C clock	Used for touch panel
TP_I2C_SDA	48	OD	TP I2C data	
CAM_I2C_SCL	83	OD	I2C clock of camera	Used for camera
CAM_I2C_SDA	84	OD	I2C data of camera	
DCAM_I2C_SCL	166	OD	I2C clock of camera	Used for camera
DCAM_I2C_SDA	205	OD	I2C data of camera	
SENSOR_I2C_SCL	91	OD	I2C clock of external sensor	Used for external sensor
SENSOR_I2C_SDA	92	OD	I2C data of external sensor	

3.15. SPI Interfaces

SC200R series module provides three SPI interfaces, which are multiplexed from UART and GPIO interfaces. These interfaces can only support master mode and can be used for fingerprint recognition.

Table 20: Pin Definition of SPI Interfaces

Pin Name	Pin No.	I/O	Description	Comment
UART5_RXD	35	DI	SPI5 data input	Can be multiplexed into SPI5_MISO
UART5_TXD	34	DO	SPI5 data output	Can be multiplexed into SPI5_MOSI
UART5_RTS	37	DO	SPI5 clock	Can be multiplexed into SPI5_CLK

UART5_CTS	36	DO	SPI5 chip select	Can be multiplexed into SPI5_CS
GPIO_22	117	DO	SPI6 chip select	Can be multiplexed into SPI6_CS
GPIO_23	116	DO	SPI6 clock	Can be multiplexed into SPI6_CLK
GPIO_20	119	DO	SPI6 data output	Can be multiplexed into SPI6_MOSI
GPIO_21	118	DI	SPI6 data input	Can be multiplexed into SPI6_MISO
GPIO_87	105	DO	SPI7 chip select	Can be multiplexed into SPI7_CS
GPIO_85	265	DO	SPI7 data output	Can be multiplexed into SPI7_MOSI
GPIO_88	264	DO	SPI7 clock	Can be multiplexed into SPI7_CLK
GPIO_86	239	DI	SPI7 data input	Can be multiplexed into SPI7_MISO

3.16. ADC Interface

SC200R series module supports one analog-to-digital converter (ADC) interface. The ADC interface supports resolution of up to 15 bits. The pin definition is shown below.

Table 21: Pin Definition of ADC Interface

Pin Name	Pin No.	I/O	Description	Comment
ADC	128	AI	General-purpose ADC interface	The maximum input voltage is 1.7 V.

3.17. Motor Drive Interface

The pin definition of the motor drive interface is listed below.

Table 22: Pin Definition of Motor Drive Interface

Pin Name	Pin No.	I/O	Description	Comment
VIB_DRV_N	28	PO	Vibration motor driver output control	Connect it to the negative pole of the motor.

The motor is driven by an exclusive circuit, and a reference circuit is shown below.

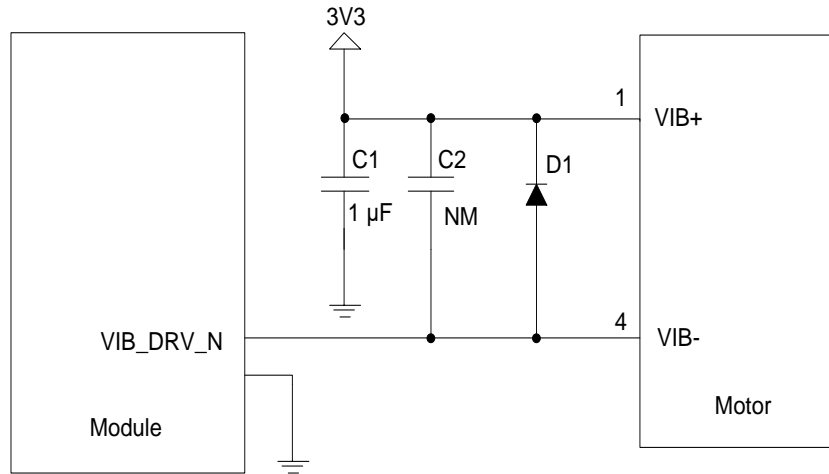


Figure 18: Reference Circuit for Motor Connection

When the motor stops working and the VIB_DRV_N is disconnected, the redundant electricity on the motor can be discharged from the circuit loop formed by diodes, thus avoiding damage to components.

3.18. LCM Interface

SC200R series module provides one LCM interface, which is MIPI_DSI standard compliant. The interface supports high-speed differential data transmission and supports HD+ display (1440 × 720 @ 60 fps). The pin definition of the LCM interface is shown below.

Table 23: Pin Definition of LCM Interface

Pin Name	Pin No.	I/O	Description	Comment
LDO17_2V85	129	PO	2.85 V output power supply for LCM VCC	Vnom = 2.85 V Iomax = 450 mA
PWM	29	DO	PWM output	Adjusts backlight brightness
LCD_RST	49	DO	LCD reset	1.8 V power domain
LCD_TE	50	DI	LCD tearing effect	
DSI_CLK_N	52	AO	LCD MIPI clock (-)	
DSI_CLK_P	53	AO	LCD MIPI clock (+)	

DSI_LN0_N	54	AO	LCD MIPI data 0 (-)
DSI_LN0_P	55	AO	LCD MIPI data 0 (+)
DSI_LN1_N	56	AO	LCD MIPI data 1 (-)
DSI_LN1_P	57	AO	LCD MIPI data 1 (+)
DSI_LN2_N	58	AO	LCD MIPI data 2 (-)
DSI_LN2_P	59	AO	LCD MIPI data 2 (+)
DSI_LN3_N	60	AO	LCD MIPI data 3 (-)
DSI_LN3_P	61	AO	LCD MIPI data 3 (+)

A reference circuit for the LCM interface is shown below.

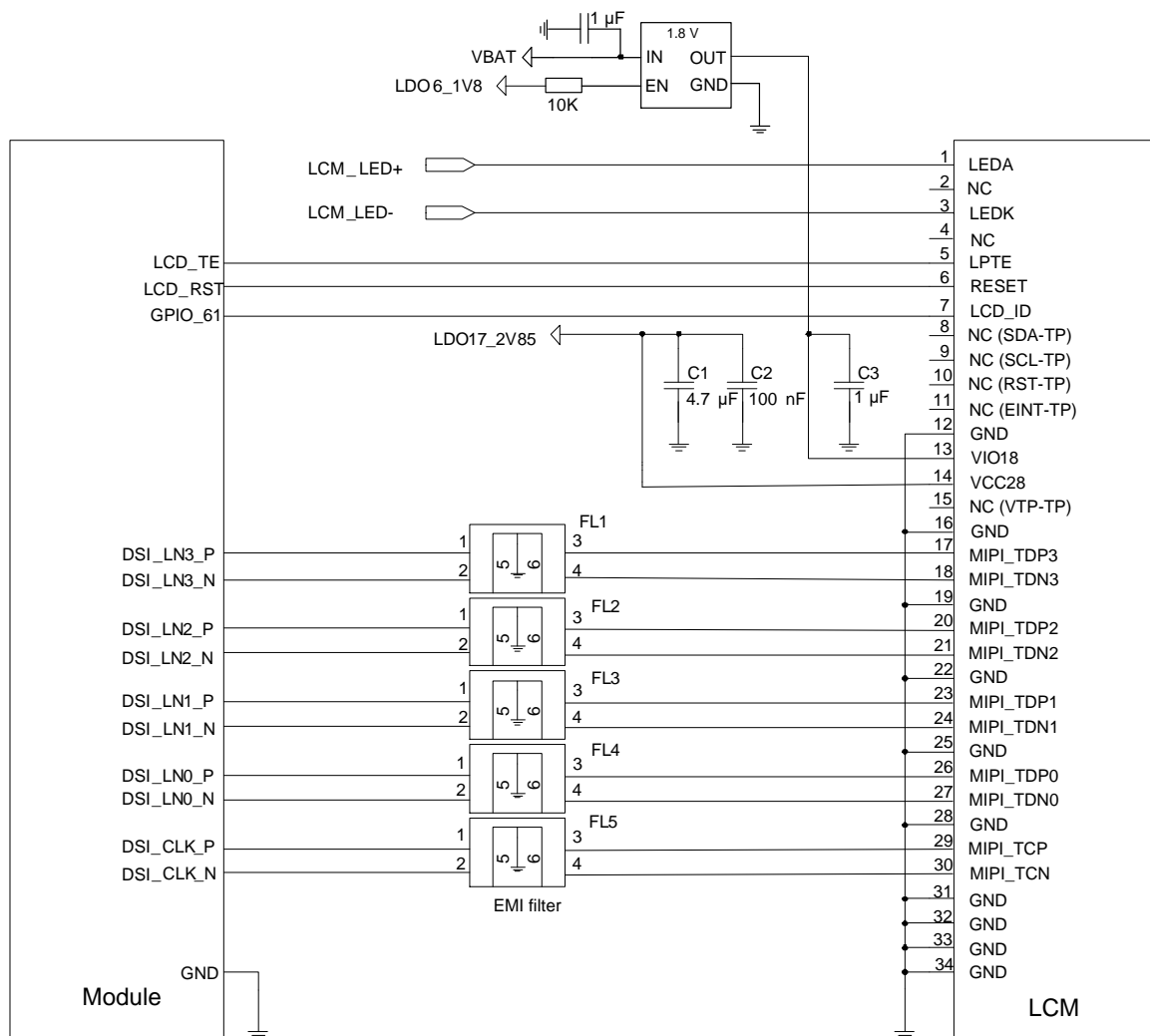


Figure 19: Reference Circuit Design for LCM Interface

MIPI are high-speed signal lines. It is recommended to add common-mode filters in series near the LCM connector, to improve protection against electromagnetic radiation interference.

It is recommended to read the LCM ID register through MIPI when compatible design with other displays is required. If several LCMs share the same IC, it is recommended that the LCM factory should burn an OTP register to distinguish different screens. You can also connect the LCD_ID pin of LCM to the ADC pin of the module, but you need to make sure that the output voltage of LCD_ID should not exceed the voltage range of the ADC pin.

You can design the external backlight driving circuit for LCM according to actual requirements. A reference circuit design is shown in the following figure, in which the PWM pin is used to adjust the backlight brightness.

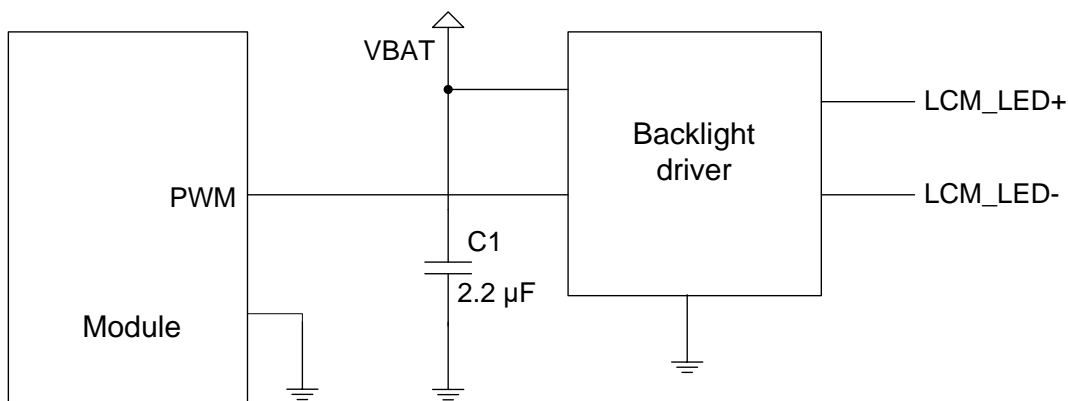


Figure 20: Reference Design for External Backlight Driving Circuit

3.19. Touch Panel Interface

SC200R series module provides one I2C interface for connection with Touch Panel (TP), and also provides the corresponding power supply and interrupt pins. The definitions of TP interface pins are illustrated below.

Table 24: Pin Definition of Touch Panel Interface

Pin Name	Pin No.	I/O	Description	Comment
LDO17_2V85	129	PO	2.85 V output power supply for TP VDD	Vnom = 2.85 V Iomax = 450 mA
LDO6_1V8	125	PO	1.8 V output power supply for TP I/O power domain and I2C pull-up circuit	Vnom = 1.8 V Iomax = 150 mA

TP_INT	30	DI	TP interrupt	1.8 V voltage domain.
TP_RST	31	DO	TP reset	1.8 V voltage domain. Active low.
TP_I2C_SCL	47	OD	TP I2C clock	Externally pull them up to 1.8 V.
TP_I2C_SDA	48	OD	TP I2C data	Can be used for other I2C devices.

A reference circuit for the TP interface is shown below.

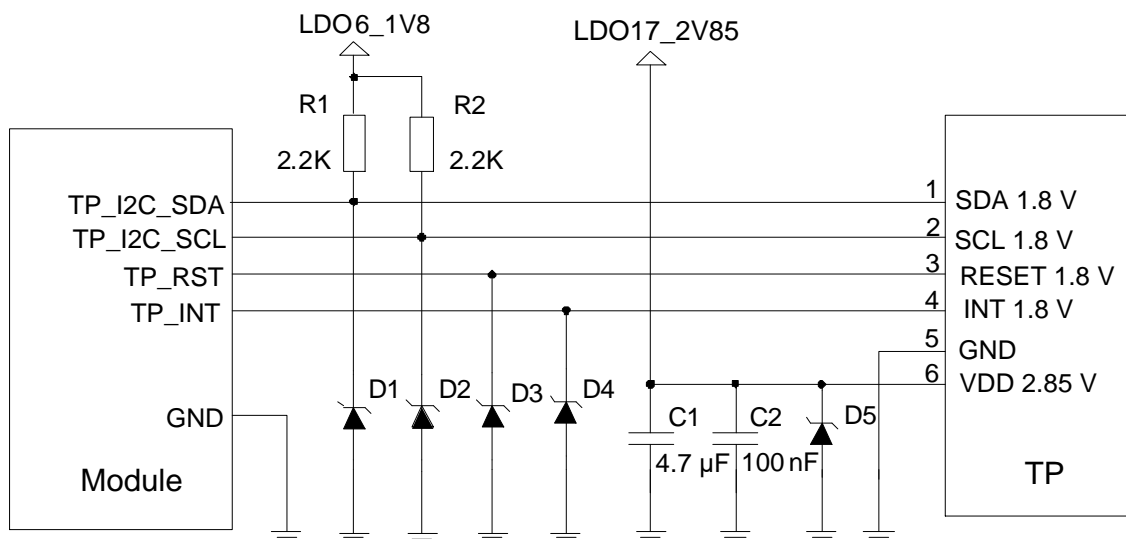


Figure 21: Reference Circuit Design for TP Interface

3.20. Camera Interfaces

Based on MIPI_CSI standard, SC200R series module supports two cameras (4-lane + 4-lane) or three cameras (4-lane + 2-lane + 1-lane), and the maximum pixel of the camera can be up to 13 MP. The video and photo quality is determined by various factors such as the camera sensor, camera lens quality, etc.

Table 25: Pin Definition of Camera Interface

Pin Name	Pin No.	I/O	Description	Comment
LDO6_1V8	125	PO	1.8 V output power supply for DOVDD of camera	Vnom = 1.8 V Iomax = 150 mA
LDO17_2V85	129	PO	2.85 V output power supply for AVDD of camera	Vnom = 2.85 V Iomax = 450 mA
CSI1_CLK_N	63	AI	Camera MIPI clock (-)	
CSI1_CLK_P	64	AI	Camera MIPI clock (+)	
CSI1_LN0_N	65	AI	Camera MIPI data 0 (-)	
CSI1_LN0_P	66	AI	Camera MIPI data 0 (+)	
CSI1_LN1_N	67	AI	Camera MIPI data 1 (-)	
CSI1_LN1_P	68	AI	Camera MIPI data 1 (+)	
CSI1_LN3_N	70	AI	Camera MIPI data 3 (-)	
CSI1_LN3_P	71	AI	Camera MIPI data 3 (+)	
CSI1_LN2_N	72	AI	Camera MIPI data 2 (-)	
CSI1_LN2_P	73	AI	Camera MIPI data 2 (+)	
CSI0_CLK_N	157	AI	Camera MIPI clock (-)	
CSI0_CLK_P	196	AI	Camera MIPI clock (+)	
CSI0_LN0_N	158	AI	Camera MIPI data 0 (-)	
CSI0_LN0_P	197	AI	Camera MIPI data 0 (+)	
CSI0_LN1_N	159	AI	Camera MIPI data 1 (-)	
CSI0_LN1_P	198	AI	Camera MIPI data 1 (+)	

CSI0_LN2_N	160	AI	Camera MIPI data 2 (-)	
CSI0_LN2_P	199	AI	Camera MIPI data 2 (+)	
CSI0_LN3_N	161	AI	Camera MIPI data 3 (-)	
CSI0_LN3_P	200	AI	Camera MIPI data 3 (+)	
CAM0_MCLK	74	DO	Clock of camera	
CAM1_MCLK	75	DO	Clock of camera	
CAM0_RST	79	DO	Reset of camera	1.8 V power domain.
CAM0_PWDN	80	DO	Power down of camera	
CAM1_RST	81	DO	Reset of camera	
CAM1_PWDN	82	DO	Power down of camera	
CAM_I2C_SCL	83	OD	I2C clock of camera	Externally pull them up to 1.8 V.
CAM_I2C_SDA	84	OD	I2C data of camera	
CAM2_MCLK	165	DO	Clock of camera	
CAM2_RST	164	DO	Reset of camera	1.8 V power domain.
CAM2_PWDN	163	DO	Power down of camera	
DCAM_I2C_SDA	205	OD	I2C data of camera	Externally pull them up to 1.8 V.
DCAM_I2C_SCL	166	OD	I2C clock of camera	

The following is a reference circuit design for 3-camera applications.

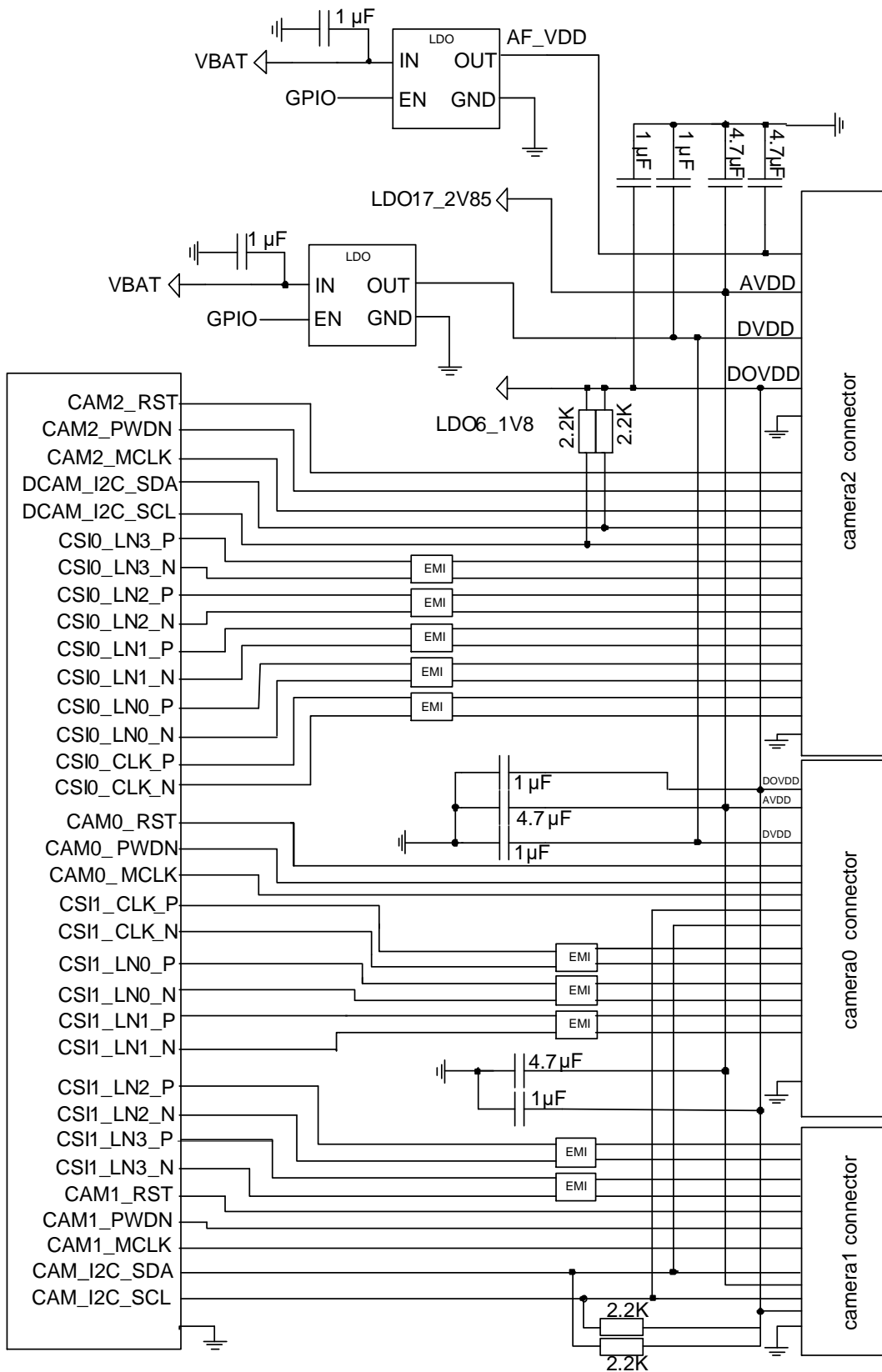


Figure 22: Reference Circuit Design for 3-Camera Applications

NOTE

In 3-camera applications, CSI1_LN3_P and CSI1_LN3_N are used as CLK_P and CLK_N of camera1, CSI1_LN2_P and CSI1_LN2_N are used as the LN_P and LN_N of camera1.

3.20.1. Design Considerations

- Special attention should be paid to the pin definition of LCM/camera connectors. Make sure the module and the connectors are correctly connected.
- MIPI are high speed signal lines, supporting maximum data rate of up to 2.1 Gbps. The differential impedance should be controlled to 100 Ω. Additionally, it is recommended to route the trace on the inner layer of PCB, and do not cross it with other traces. For the same group of DSI or CSI signals, keep all the MIPI traces of the same length. In order to avoid crosstalk, keep a distance of 1.5 times the trace width among MIPI signal lines. During impedance matching, do not connect GND on different planes to ensure impedance consistency.
- It is recommended to select a low-capacitance TVS for ESD protection and the recommended parasitic capacitance should be below 1 pF.
- Route MIPI traces according to the following rules:
 - a) The total trace length should not exceed 305 mm;
 - b) Control the differential impedance to 100 Ω ±10 %;
 - c) Control intra-lane length difference within 0.67 mm;
 - d) Control inter-lane length difference within 1.3 mm.

Table 26: MIPI Trace Length Inside the Module

Pin Name	Pin No.	Length (mm)	Length Difference (P - N)
52	DSI_CLK_N	12.40	0.00
53	DSI_CLK_P	12.40	
54	DSI_LN0_N	11.75	-0.10
55	DSI_LN0_P	11.65	
56	DSI_LN1_N	9.40	-0.10
57	DSI_LN1_P	9.30	
58	DSI_LN2_N	9.60	0.00
59	DSI_LN2_P	9.60	
60	DSI_LN3_N	12.35	0.00

61	DSI_LN3_P	12.35	
63	CSI1_CLK_N	18.10	
64	CSI1_CLK_P	18.05	-0.05
65	CSI1_LN0_N	18.05	
66	CSI1_LN0_P	18.10	0.05
67	CSI1_LN1_N	18.15	
68	CSI1_LN1_P	18.20	0.05
70	CSI1_LN3_N	18.10	
71	CSI1_LN3_P	18.20	0.10
72	CSI1_LN2_N	18.05	
73	CSI1_LN2_P	18.10	0.05
157	CSI0_CLK_N	22.60	
196	CSI0_CLK_P	22.55	-0.05
158	CSI0_LN0_N	22.55	
197	CSI0_LN0_P	22.50	-0.05
159	CSI0_LN1_N	20.25	
198	CSI0_LN1_P	20.30	0.05
160	CSI0_LN2_N	20.50	
199	CSI0_LN2_P	20.50	0.00
161	CSI0_LN3_N	12.95	
200	CSI0_LN3_P	12.95	0.00

3.21. Sensor Interfaces

SC200R series module supports communication with sensors via I2C interfaces, and it supports ALS/PS, compass, accelerometer, gyroscope, etc.

Table 27: Pin Definition of Sensor Interfaces

Pin Name	Pin No.	I/O	Description	Comment
SENSOR_I2C_SCL	91	OD	I2C clock of external sensor	Dedicated for external sensors. Cannot be used for touch panel, NFC, I2C keyboard, etc.
SENSOR_I2C_SDA	92	OD	I2C data of external sensor	Externally pull them up to 1.8 V.
GPIO_43	107	DI	Light sensor interrupt	
GPIO_44	109	DI	Compass sensor interrupt	
GPIO_42	110	DI	Accelerometer sensor interrupt	
GPIO_63	108	DI	Gyroscope sensor interrupt	

3.22. Audio Interfaces

SC200R series module provides three analog input channels and three analog output channels. The following table shows the pin definition.

Table 28: Pin Definition of Audio Interfaces

Pin Name	Pin No.	I/O	Description	Comment
MIC1_P	4	AI	Microphone input for channel 1 (+)	
MIC_GND	5	AI	Microphone reference ground	If it is not used, connect it to the ground.
MIC2_P	6	AI	Microphone input for headset (+)	
MIC_BIAS2	155	AO	Microphone bias voltage 2	$V_O = 1.6\text{--}2.85\text{ V}$

MIC3_P	148	AI	Microphone input for channel 2 (+)	
MIC_BIAS1	147	AO	Microphone bias voltage 1	$V_O = 1.6\text{--}2.85\text{ V}$
EAR_P	8	AO	Earpiece output (+)	
EAR_N	9	AO	Earpiece output (-)	
SPK_P	10	AO	Speaker output (+)	
SPK_N	11	AO	Speaker output (-)	
HPH_R	136	AO	Headphone right channel output	
HPH_REF	137	AO	Headphone reference ground	
HPH_L	138	AO	Headphone left channel output	
HS_DET	139	AI	Headset hot-plug detect	High level by default.

- The module offers three audio input channels, including three single-ended channels.
- The output voltage range of the two MIC_BIAS is programmable between 1.6 V and 2.85 V, and the maximum output current is 3 mA.
- The earpiece interface uses differential output.
- The loudspeaker interface uses differential output as well. The output channel is available with a Class-D amplifier whose output power is 1362 mW when the load is 8 Ω.
- The headphone interface features stereo left and right channel output, and supports headphone insertion detect.

3.2.2.1. Reference Circuit Design for Microphone Interfaces

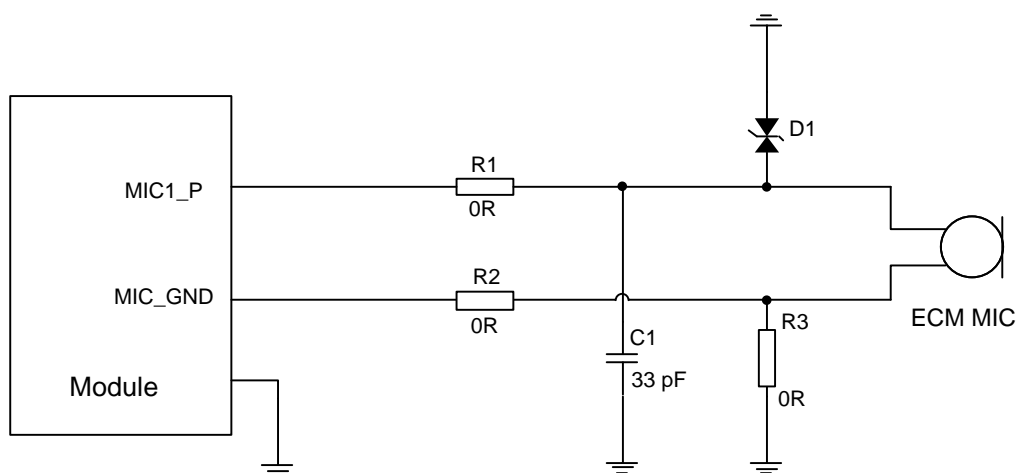


Figure 23: Reference Circuit Design for ECM Microphone Interface

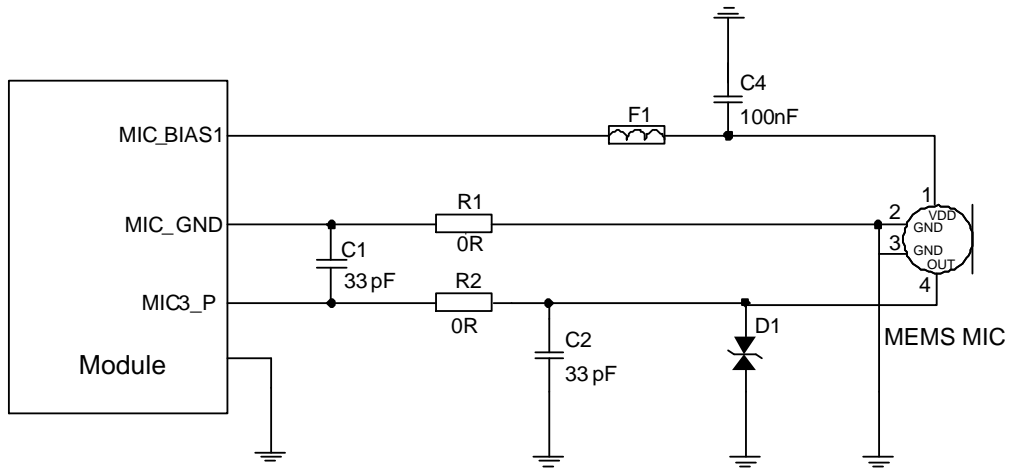


Figure 24: Reference Circuit Design for MEMS Microphone Interface

3.22.2. Reference Circuit Design for Earpiece Interface

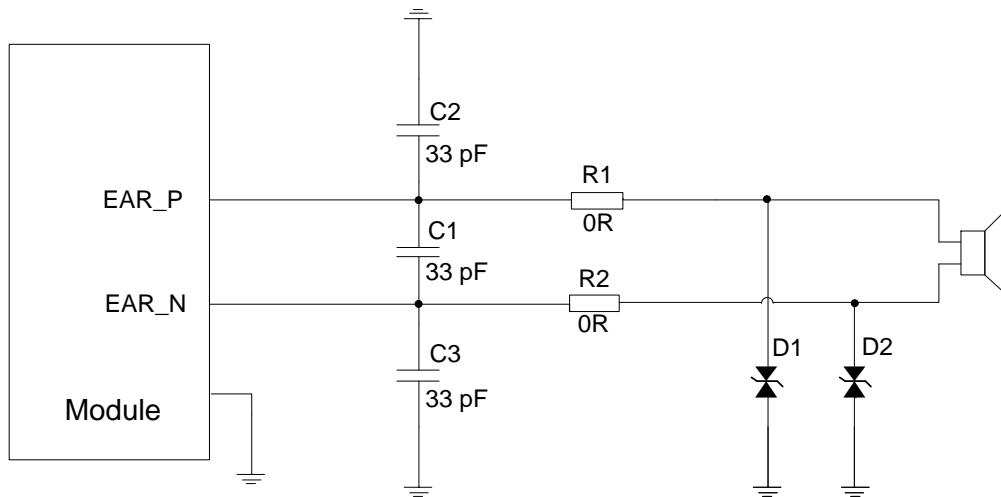


Figure 25: Reference Circuit Design for Earpiece Interface

3.22.3. Reference Circuit Design for Headset Interface

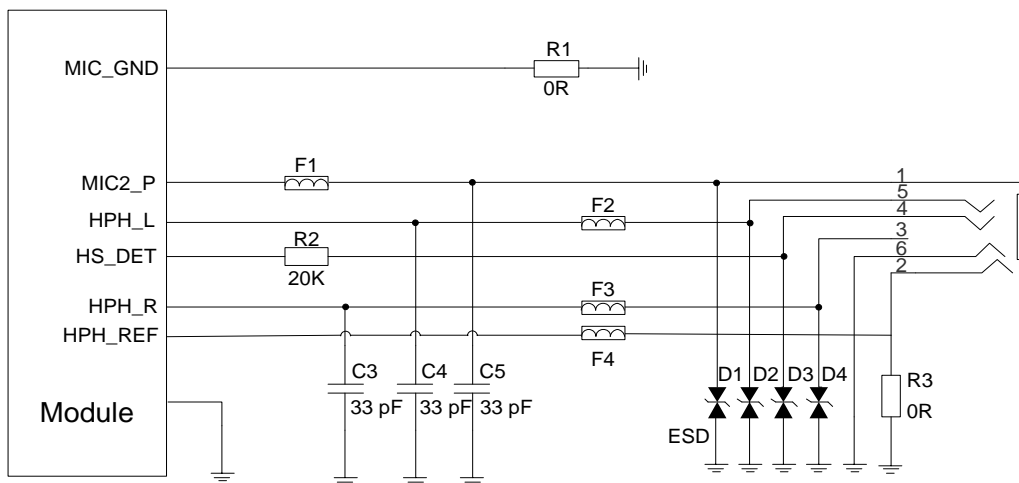


Figure 26: Reference Circuit Design for Headphone Interface

3.22.4. Reference Circuit Design for Loudspeaker Interface

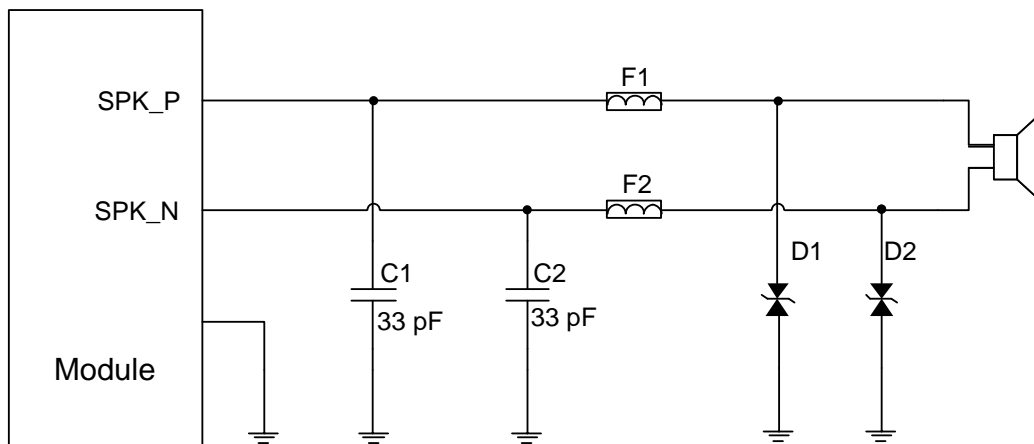


Figure 27: Reference Circuit Design for Loudspeaker Interface

3.22.5. Design Considerations for Audio Interfaces

It is recommended to use the electret microphone with dual built-in capacitors (e.g. 10 pF and 33 pF) to filter out RF interference, thus reducing TDD noise. The 33 pF capacitor is applied to filter out RF interference when the module is transmitting at EGSM900. Without this capacitor, TDD noise could be heard during voice calls. The 10 pF capacitor is used to filter out RF interference at DCS1800. Please note that the resonant frequency point of a capacitor largely depends on its material and manufacturing

technique. Therefore, you should consult the capacitor vendors to choose the most suitable capacitor to filter out the high-frequency noises.

The severity of RF interference in the voice channel during GSM transmitting largely depends on the application design. In some cases, EGSM900 TDD noise is more severe; while in other cases, DCS1800 TDD noise is more obvious. Therefore, you should select a suitable capacitor according to the test results. Sometimes, even no RF filtering capacitor is required.

In order to decrease radio or other signal interference, place RF antennas away from audio interfaces and audio traces. Additionally, keep power traces far away from the audio traces and do not route them in parallel.

Route the differential audio traces according to the differential signal layout rule.

3.23. Emergency Download Interface

USB_BOOT is an emergency download interface. You can force the module to enter emergency download mode by pulling it up to LDO5_1V8 during power-on. This is an emergency option when failures such as abnormal start-up or running occur. For firmware upgrade and debugging in the future, reserve the following reference design.

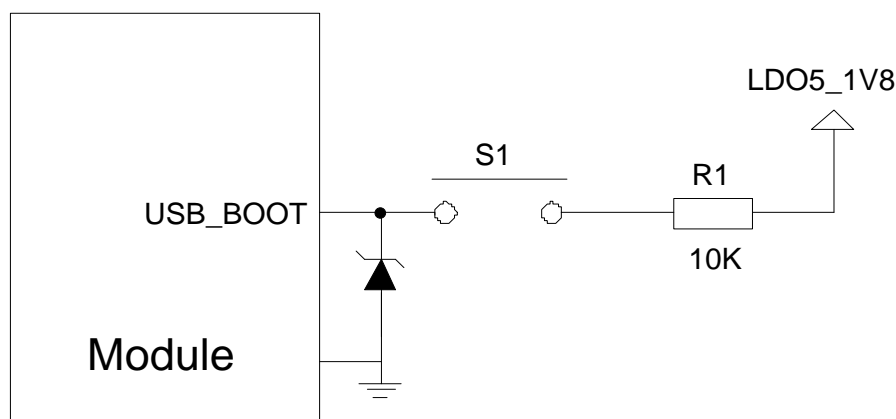


Figure 28: Reference Circuit Design for Emergency Download Interface

4 Wi-Fi and Bluetooth

SC200R series module provides a shared antenna interface ANT_WIFI/BT for Wi-Fi and Bluetooth functions. The interface impedance should be controlled to 50 Ω. You can connect external antennas such as PCB antenna, sucker antenna, and ceramic antenna to the module via the interface to achieve Wi-Fi and Bluetooth functions.

4.1. Wi-Fi Overview

SC200R series module supports 2.4 GHz and 5 GHz dual-band WLAN based on IEEE 802.11a/b/g/n standard protocols. The maximum data rate is up to 150 Mbps. The features are as below:

- Supports Wake-on-WLAN (WoWLAN)
- Supports ad hoc mode
- Supports WAPI SMS4 hardware encryption
- Supports AP mode
- Supports Wi-Fi Direct
- Supports MCS 0–7 for HT20 and HT40

4.1.1. Wi-Fi Performance

The following table lists the Wi-Fi transmitting and receiving performance of the module.

Table 29: Wi-Fi Transmitting Performance

	Standard	Rate	Output Power
2.4 GHz	802.11b	1 Mbps	16 dBm ±2.5 dB
	802.11b	11 Mbps	16 dBm ±2.5 dB
	802.11g	6 Mbps	16 dBm ±2.5 dB
	802.11g	54 Mbps	14 dBm ±2.5 dB
	802.11n HT20	MCS0	15 dBm ±2.5 dB

	802.11n HT20	MCS7	13 dBm \pm 2.5 dB
	802.11n HT40	MCS0	14 dBm \pm 2.5 dB
	802.11n HT40	MCS7	13 dBm \pm 2.5 dB
5 GHz	802.11a	6 Mbps	15 dBm \pm 2.5 dB
	802.11a	54 Mbps	13 dBm \pm 2.5 dB
	802.11n HT20	MCS0	14 dBm \pm 2.5 dB
	802.11n HT20	MCS7	13 dBm \pm 2.5 dB
	802.11n HT40	MCS0	14 dBm \pm 2.5 dB
	802.11n HT40	MCS7	13 dBm \pm 2.5 dB

Table 30: Wi-Fi Receiving Performance

	Standard	Rate	Sensitivity
2.4 GHz	802.11b	1 Mbps	-96
	802.11b	11 Mbps	-87
	802.11g	6 Mbps	-90
	802.11g	54 Mbps	-73
	802.11n HT20	MCS0	-89
	802.11n HT20	MCS7	-71
	802.11n HT40	MCS0	-89
	802.11n HT40	MCS7	-69
5 GHz	802.11a	6 Mbps	-92
	802.11a	54 Mbps	-74
	802.11n HT20	MCS0	-91
	802.11n HT20	MCS7	-73
	802.11n HT40	MCS0	-88

802.11n HT40

MCS7

-70

Reference specifications are listed below:

- IEEE 802.11n WLAN MAC and PHY, October 2009 + IEEE 802.11-2007 WLAN MAC and PHY, June 2007
- IEEE Std 802.11a, IEEE Std 802.11b, IEEE Std 802.11g: IEEE 802.11-2007 WLAN MAC and PHY, June 2007

4.2. Bluetooth Overview

SC200R series module supports Bluetooth 4.2 (BR/EDR + BLE) specification, as well as GFSK, 8-DPSK, $\pi/4$ -DQPSK modulation modes.

- Maximally supports up to 7 wireless connections.
- Maximally supports up to 3.5 piconets at the same time.
- Support one SCO or eSCO connection.

The BR/EDR channel bandwidth is 1 MHz, and can accommodate 79 channels. The BLE channel bandwidth is 2 MHz, and can accommodate 40 channels.

Table 31: Bluetooth Data Rate and Version

Version	Data Rate	Maximum Application Throughput
1.2	1 Mbit/s	> 80 kbit/s
2.0 + EDR	3 Mbit/s	> 80 kbit/s
3.0 + HS	24 Mbit/s	Reference 3.0 + HS
4.2	24 Mbit/s	Reference 4.2 LE

Reference specifications are listed below:

- Bluetooth Radio Frequency TSS and TP Specification 1.2/2.0/2.0 + EDR/2.1/2.1 + EDR/3.0/3.0 + HS, August 6, 2009
- Bluetooth Low Energy RF PHY Test Specification, RF-PHY.TS/4.0.0, December 15, 2009

4.2.1. Bluetooth Performance

The following table lists the Bluetooth transmitting and receiving performance of SC200R series module.

Table 32: Bluetooth Transmitting and Receiving Performance

Transmitter Performance			
Packet Types	DH5	2-DH5	3-DH5
Transmitting Power	10.0	10.0	9.9
Receiver Performance			
Packet Types	DH5	2-DH5	3-DH5
Receiving Sensitivity	-91	-90	-90

5 GNSS

SC200R series module integrates a IZat™ GNSS engine (GEN 8C) which supports multiple positioning and navigation systems including GPS, GLONASS, Galileo and BeiDou. With an embedded LNA, the module provides greatly improved positioning accuracy.

5.1. GNSS Performance

The following table lists the GNSS performance of the module in conduction mode.

Table 33: GNSS Performance

Parameter	Description	Typ.	Unit
Sensitivity	Cold start	-146	dBm
	Reacquisition	-158	dBm
	Tracking	-158	dBm
TTFF	Cold start	30.8	s
	Warm start	21	s
	Hot start	3.3	s
Static Drift	CEP-50	< 2.5	m

NOTE

SC200R-WF/SC262R-WF does not support GNSS.

5.2. GNSS RF Design Guidelines

Bad design of antenna and layout may cause reduced GNSS receiving sensitivity, longer GNSS positioning time, or reduced positioning accuracy. In order to avoid this, follow the reference design rules as below:

- Maximize the distance between the GNSS RF part and the GPRS RF part (including trace routing and antenna layout) to avoid mutual interference.
- In user systems, place GNSS RF signal lines and RF components far away from high-speed circuits, switch-mode power supplies, power inductors, the clock circuit of single-chip microcomputers, etc.
- For applications with harsh electromagnetic environment or high ESD-protection requirements, it is recommended to add ESD protective diodes for the antenna interface. The junction capacitance of the diodes should be less than 0.5 pF. Otherwise, it will influence the impedance characteristic of RF circuit loop, or cause attenuation of bypass RF signals.
- Control the impedance of feeder lines and PCB traces to 50 Ω , and keep the trace as short as possible.
- See **Chapter 6.3** for reference circuit designs of GNSS antenna.

6 Antenna Interfaces

SC200R series module provides four antenna interfaces for the main antenna, Rx-diversity antenna, Wi-Fi/Bluetooth antenna and GNSS antenna respectively. The impedance of the antenna ports should be controlled to 50 Ω.

6.1. Main/Rx-diversity Antenna Interfaces

The pin definition of main/Rx-diversity antenna interfaces is shown below.

Table 34: Pin Definition of Main/Rx-diversity Antenna Interfaces

Pin Name	Pin No.	I/O	Description	Comment
ANT_MAIN	87	AIO	Main antenna interface	50 Ω impedance
ANT_DRX	131	AI	Rx-diversity antenna interface	

The operating frequencies of SC200R series modules are listed in the following tables.

6.1.1. Operating Frequencies

Table 35: SC200R-CE Operating Frequencies

3GPP Band	Receive	Transmit	Unit
EGSM900	925–960	880–915	MHz
DCS1800	1805–1880	1710–1785	MHz
WCDMA B1	2110–2170	1920–1980	MHz
WCDMA B8	925–960	880–915	MHz
EVDO/CDMA BC0	869–894	824–849	MHz

LTE-FDD B1	2110–2170	1920–1980	MHz
LTE-FDD B3	1805–1880	1710–1785	MHz
LTE-FDD B5	869–894	824–849	MHz
LTE-FDD B8	925–960	880–915	MHz
LTE-TDD B34	2010 - 2025	2010 - 2025	MHz
LTE-TDD B38	2570–2620	2570–2620	MHz
LTE-TDD B39	1880–1920	1880–1920	MHz
LTE-TDD B40	2300–2400	2300–2400	MHz
LTE-TDD B41	2535–2675	2535–2675	MHz

Table 36: SC200R-EM Operating Frequencies

3GPP Band	Receive	Transmit	Unit
GSM850	869–894	824–849	MHz
EGSM900	925–960	880–915	MHz
DCS1800	1805–1880	1710–1785	MHz
PCS1900	1930–1990	1850–1910	MHz
WCDMA B1	2110–2170	1920–1980	MHz
WCDMA B2	1930–1990	1850–1910	MHz
WCDMA B4	2110 - 2155	1710 - 1755	MHz
WCDMA B5	869–894	824–849	MHz
WCDMA B8	925–960	880–915	MHz
LTE-FDD B1	2110–2170	1920–1980	MHz
LTE-FDD B2	1930–1990	1850–1910	MHz
LTE-FDD B3	1805–1880	1710–1785	MHz
LTE-FDD B4	2110 - 2155	1710 - 1755	MHz

LTE-FDD B5	869–894	824–849	MHz
LTE-FDD B7	2620–2690	2500–2570	MHz
LTE-FDD B8	925–960	880–915	MHz
LTE-FDD B20	791–821	832–862	MHz
LTE-FDD B28 (A + B)	758–803	703–748	MHz
LTE-TDD B38	2570–2620	2570–2620	MHz
LTE-TDD B40	2300–2400	2300–2400	MHz
LTE-TDD B41	2496–2690	2496–2690	MHz

Table 37: SC200R-NA Operating Frequencies

3GPP Band	Receive	Transmit	Unit
WCDMA B2	1930–1990	1850–1910	MHz
WCDMA B4	2110–2155	1710–1755	MHz
WCDMA B5	869–894	824–849	MHz
LTE-FDD B2	1930–1990	1850–1910	MHz
LTE-FDD B4	2110–2155	1710–1755	MHz
LTE-FDD B5	869–894	824–849	MHz
LTE-FDD B7	2620–2690	2500–2570	MHz
LTE-FDD B12	729–746	699–716	MHz
LTE-FDD B13	746–756	777–787	MHz
LTE-FDD B14	758–768	788–798	MHz
LTE-FDD B17	734–746	704–716	MHz
LTE-FDD B25	1930–1995	1850–1915	MHz
LTE-FDD B26	859–894	814–849	MHz
LTE-FDD B66	2100–2200	1710–1780	MHz

LTE-FDD B71	663–698	617–652	MHz
LTE-TDD B41	2496–2690	2496–2690	MHz

Table 38: SC200R-JP* Operating Frequencies

3GPP Band	Receive	Transmit	Unit
WCDMA B1	2110–2170	1920–1980	MHz
WCDMA B6	875–885	830–840	MHz
WCDMA B8	925–960	880–915	MHz
WCDMA B19	875–890	830–845	MHz
LTE-FDD B1	2110–2170	1920–1980	MHz
LTE-FDD B3	1805–1880	1710–1785	MHz
LTE-FDD B5	869 – 894	824 – 849	MHz
LTE-FDD B8	925–960	880–915	MHz
LTE-FDD B11	1428–1447	1475–1495	MHz
LTE-FDD B18	860–875	815–830	MHz
LTE-FDD B19	875–890	830–845	MHz
LTE-FDD B21	1496–1511	1448–1463	MHz
LTE-FDD B26	859–894	814–849	MHz
LTE-FDD B28	758–803	703–748	MHz
LTE-TDD B41	2496–2690	2496–2690	MHz

6.1.2. Reference Design for Main and Rx-diversity Antenna Interfaces

A reference circuit design for main and Rx-diversity antenna interfaces is shown below. Reserve a π -type matching circuit for each antenna to achieve better RF performance, and place the π -type matching components (R1/C1/C2, R2/C3/C4) as close to the antennas as possible. The capacitors are not mounted by default and the resistors are 0 Ω .

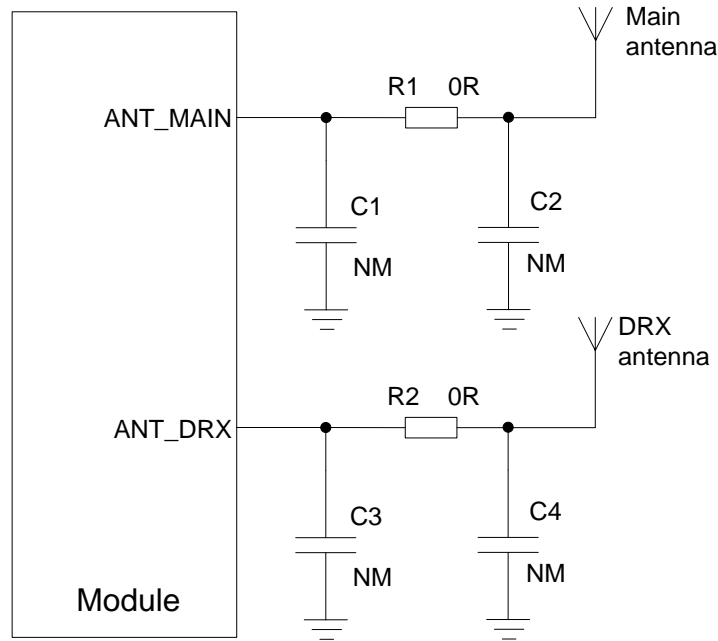


Figure 29: Reference Circuit Design for Main and Rx-diversity Antenna Interfaces

6.2. Wi-Fi/Bluetooth Antenna Interface

The following tables show the pin definition and frequency specification of the Wi-Fi/Bluetooth antenna interface.

Table 39: Pin Definition of Wi-Fi/Bluetooth Antenna Interface

Pin Name	Pin No.	I/O	Description	Comment
ANT_WIFI/BT	77	AIO	Wi-Fi/Bluetooth antenna interface	50 Ω impedance

Table 40: Wi-Fi/Bluetooth Frequency

Type	Frequency	Unit
Wi-Fi (2.4 GHz)	2402–2482	MHz
Wi-Fi (5 GHz)	5180–5825	MHz
Bluetooth 4.2 LE	2402–2480	MHz

A reference circuit design for Wi-Fi/Bluetooth antenna interface is shown as below. C1 and C2 are not mounted by default and the resistor is 0 Ω.

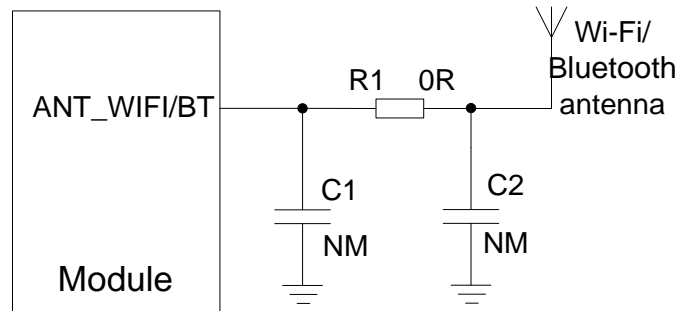


Figure 30: Reference Circuit Design for Wi-Fi/Bluetooth Antenna

6.3. GNSS Antenna Interface

The following tables show the pin definition and frequency specification of GNSS antenna interface.

Table 41: Pin Definition of GNSS Antenna Interface

Pin Name	Pin No.	I/O	Description	Comment
ANT_GNSS	121	AI	GNSS antenna interface	50 Ω impedance

Table 42: GNSS Frequency

Type	Frequency	Unit
GPS	1575.42 ±1.023	MHz
GLONASS	1597.5–1605.8	MHz
BeiDou	1561.098 ±2.046	MHz
Galileo	1575.42 ±1.023	MHz

NOTE

SC200R-WF/SC262R-WF does not support GNSS.

6.3.1. Recommended Circuit for Passive Antenna

GNSS antenna interface supports passive ceramic antennas and other types of passive antennas. A reference circuit design is given below.

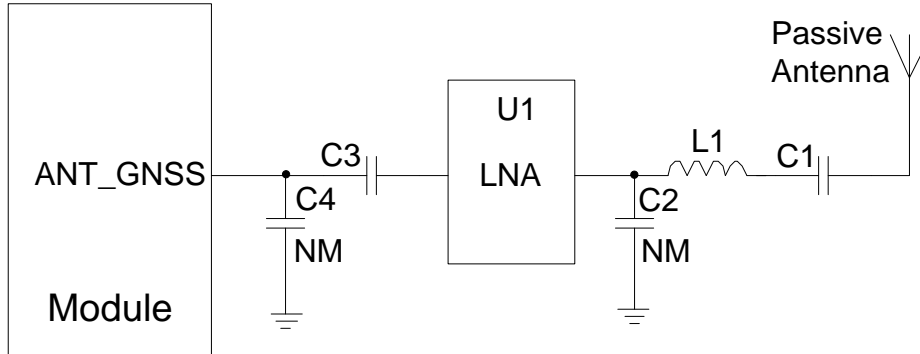


Figure 31: Reference Circuit Design for GNSS Passive Antenna

NOTE

When the passive antenna is placed far away from the module (that is, the antenna trace is long) and the external loss is more than 2 dB, it is recommended to add an external LNA circuit for better GNSS receiving performance, and place the LNA close to the antenna.

6.3.2. Recommended Circuit for Active Antenna

The active antenna is powered by a 56 nH inductor through the antenna's signal path. The common power supply voltage ranges from 3.3 V to 5.0 V. Despite its low power consumption, the active antenna still requires stable and clean power supplies. Therefore, it is recommended to use high-performance LDO as the power supply. A reference design for GNSS active antenna is shown below.

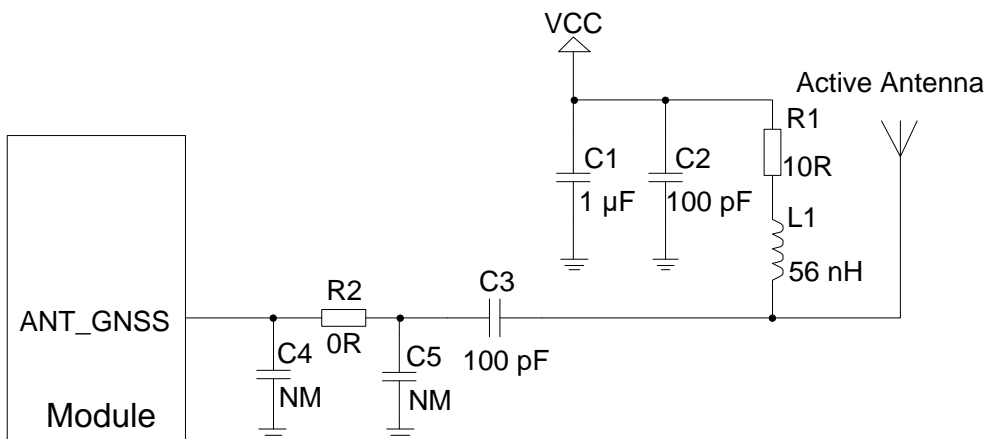


Figure 32: Reference Circuit Design for GNSS Active Antenna

6.4. Reference Design for RF Layout

For user's PCB, the characteristic impedance of all RF traces should be controlled to 50 Ω. The impedance of the RF traces is usually determined by the trace width (W), the materials' dielectric constant, the height from the reference ground to the signal layer (H), and the spacing between RF traces and grounds (S). Microstrip or coplanar waveguide is typically used in RF layout to control characteristic impedance. The following are reference designs of microstrip or coplanar waveguide with different PCB structures.

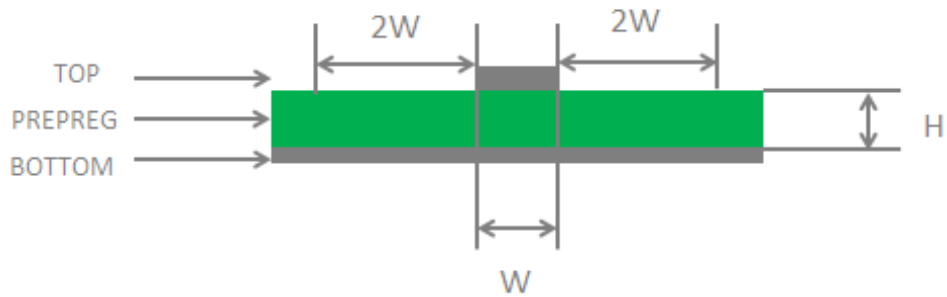


Figure 33: Microstrip Design on a 2-layer PCB

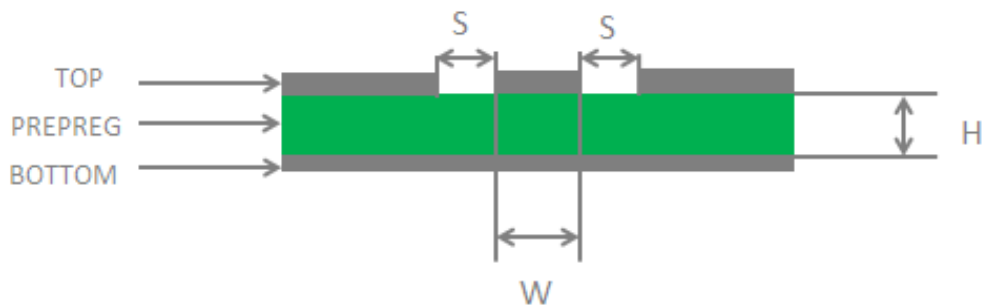


Figure 34: Coplanar Waveguide Design on a 2-layer PCB

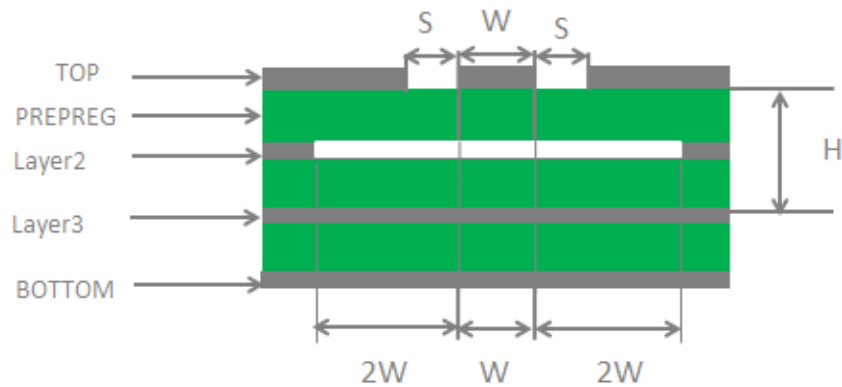


Figure 35: Coplanar Waveguide Design on a 4-layer PCB (Layer 3 as Reference Ground)

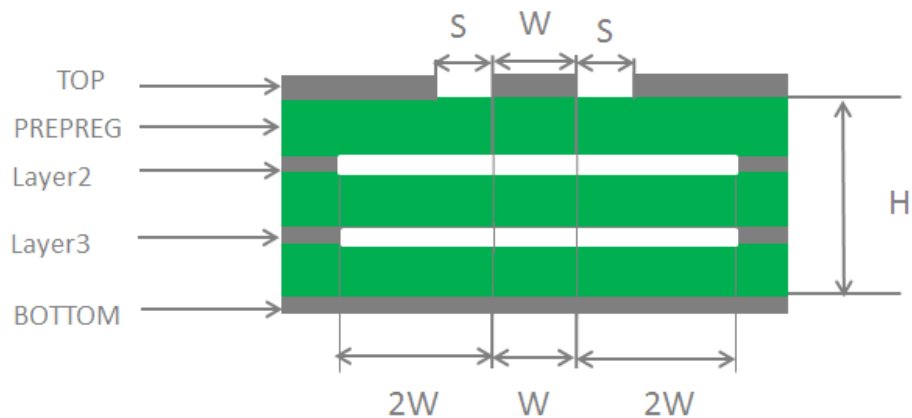


Figure 36: Coplanar Waveguide Design on a 4-layer PCB (Layer 4 as Reference Ground)

In order to ensure RF performance and reliability, follow the principles below in RF layout design:

- Use an impedance simulation tool to accurately control the characteristic impedance of RF traces to 50 Ω.
- Design the GND pins adjacent to RF pins as thermal relief pads, and fully connect them to ground.
- Keep the distance between the RF pins and the RF connector as short as possible. Change all the right-angle traces to curved ones and the recommended trace angle is 135°.
- Reserve clearance under the signal pin of the antenna connector or solder joint.
- Keep the reference ground of RF traces complete. Meanwhile, add some ground vias around RF traces and the reference ground to improve RF performance. The distance between the ground vias and RF traces should be no less than two times the width of RF signal traces ($2 \times W$).
- Keep RF traces away from interference sources, and avoid intersection and paralleling between traces on adjacent layers.

For more details about RF layout, see **document [3]**.

6.5. Antenna Installation

6.5.1. Antenna Requirements

The following table shows the requirement on the main antenna, Rx-diversity antenna, Wi-Fi/Bluetooth antenna and GNSS antenna.

Table 43: Antenna Requirements

Type	Requirements
GSM/WCDMA/LTE	VSWR: ≤ 2 Gain: 1 dBi Max Input Power: 50 W Input Impedance: 50 Ω Polarization Type: Vertical Cable Insertion Loss: < 1 dB (GSM850, EGSM900, WCDMA B5/B6/B8/B19, EVDO/CDMA BC0, LTE-FDD B5/B8/B12/B13/B14/B17/B18/B19/B20/B26/B28A/B28B/B71) Cable Insertion Loss: < 1.5 dB (DCS1800, PCS1900, WCDMA B1/B2/B4, LTE B1/B2/B3/B4/B11/B21/B25/B34/B39/B66) Cable Insertion Loss: < 2 dB (LTE-FDD B7, LTE-TDD B38/B40/B41)
Wi-Fi/Bluetooth	VSWR: ≤ 2 2.4G HZ Gain: ≤ 0.47 dBi; 5G Hz Gain: ≤ 1.28 dBi Max Input Power: 50 W Input Impedance: 50 Ω Polarization Type: Vertical Cable Insertion Loss: < 1 dB
GNSS ¹⁾	Frequency range: 1559–1609 MHz Polarization: RHCP or linear VSWR: < 2 (Typ.) Passive Antenna Gain: > 0 dBi Active Antenna Noise Figure: < 1.5 dB (Typ.) Active Antenna Gain: > -2 dBi Active Antenna Embedded LNA Gain: < 17 dB (Typ.) Active Antenna Total Gain: < 17 dBi (Typ.)

NOTE

It is recommended to use a passive GNSS antenna when LTE B13 or B14 is supported, as the use of active antenna may generate harmonics which will affect the GNSS performance.

6.5.2. Recommended RF Connector for Antenna Installation

If you use an RF connector for antenna connection, it is recommended to use the U.FL-R-SMT connector provided by HIROSE.

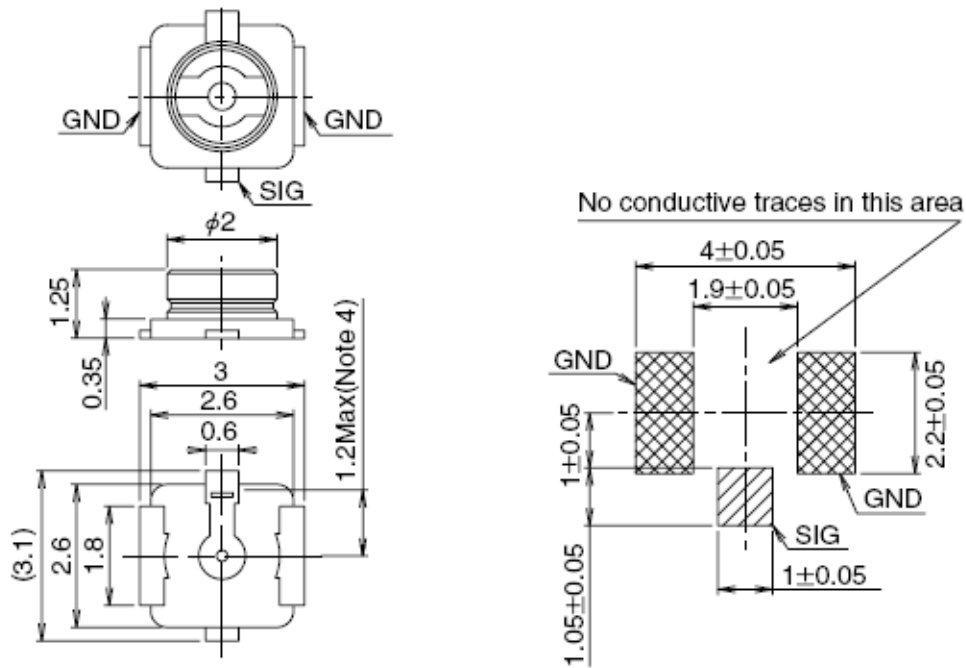


Figure 37: Dimensions of the U.FL-R-SMT Connector (Unit: mm)

U.FL-LP serial connectors listed in the following figure can be used to match the U.FL-R-SMT.

Part No.	U.FL-LP-040	U.FL-LP-066	U.FL-LP(V)-040	U.FL-LP-062	U.FL-LP-088
Mated Height	2.5mm Max. (2.4mm Nom.)	2.5mm Max. (2.4mm Nom.)	2.0mm Max. (1.9mm Nom.)	2.4mm Max. (2.3mm Nom.)	2.4mm Max. (2.3mm Nom.)
Applicable cable	Dia. 0.81mm Coaxial cable	Dia. 1.13mm and Dia. 1.32mm Coaxial cable	Dia. 0.81mm Coaxial cable	Dia. 1mm Coaxial cable	Dia. 1.37mm Coaxial cable
Weight (mg)	53.7	59.1	34.8	45.5	71.7
RoHS	YES				

Figure 38: Mechanicals of U.FL-LP Connectors

The following figure describes the space factor of mated connectors.

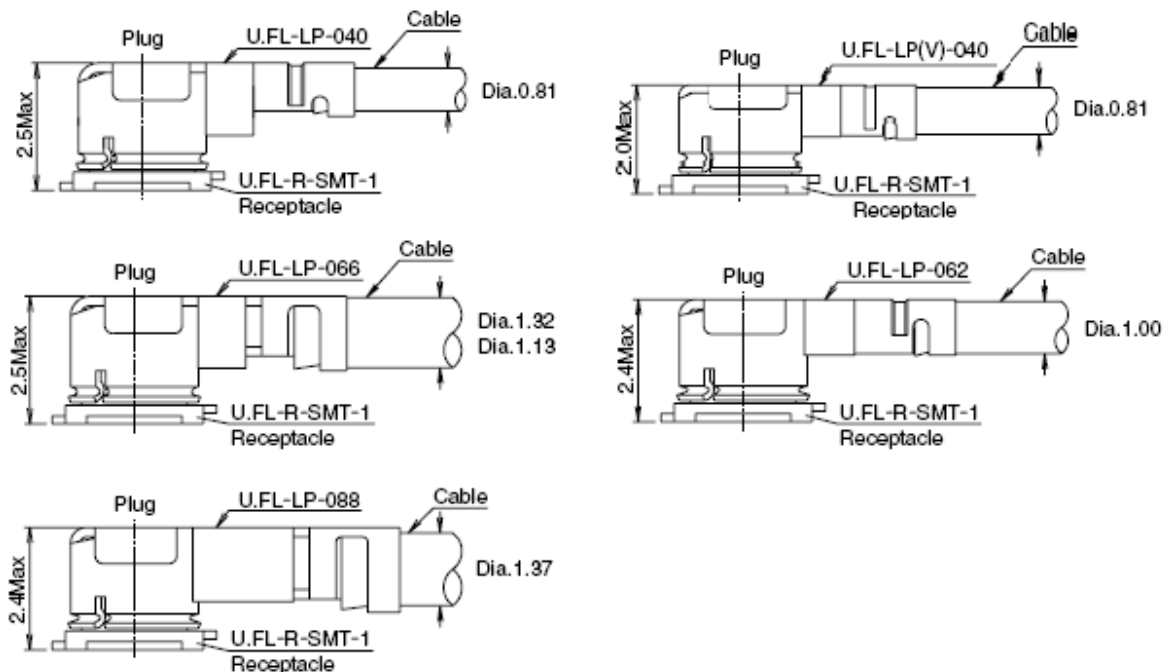


Figure 39: Space Factor of Mated Connectors (Unit: mm)

For more details, visit <http://www.hirose.com>.

7 Electrical, Reliability and Radio Characteristics

7.1. Absolute Maximum Ratings

Absolute maximum ratings for power supply and voltage on digital and analog pins of the module are listed in the following table.

Table 44: Absolute Maximum Ratings

Parameter	Min.	Max.	Unit
VBAT	-0.5	6	V
USB_VBUS	-0.5	16	V
Peak Current of VBAT	0	3	A
Voltage on Digital Pins	-0.3	2.16	V

7.2. Power Supply Ratings

Table 45: Power Supply Ratings

Parameter	Description	Conditions	Min.	Typ.	Max.	Unit
VBAT	VBAT	The actual input voltages must stay between the minimum and maximum values	3.55	3.8	4.2	V
	Voltage drop during transmitting burst	Maximum power control level at EGSM900			400	mV

I _V BAT	Peak supply current (during transmission slot)	Maximum power control level at EGSM900	1.8	3.0	A
USB_VBUS	USB power supply		4.35	5.0	6.2 V
VRTC	Power supply voltage of the backup battery		2.0	3.0	3.25 V

7.3. Operating and Storage Temperatures

The operating and storage temperatures are listed in the following table.

Table 46: Operating and Storage Temperatures

Parameter	Min.	Typ.	Max.	Unit
Operating temperature range ¹⁾	-35	+25	+75	°C
Storage Temperature Range	-40	-	+90	°C

NOTE

¹⁾ Within the operating temperature range, the module is 3GPP compliant.

7.4. Current Consumption

The values of current consumption are shown below.

Table 47: SC200R-CE Current Consumption

Description	Conditions	Typ.	Unit
OFF state	Power down	13	µA
GSM/GPRS	Sleep (USB disconnected) @ DRX = 2	5.26	mA

supply current	Sleep (USB disconnected) @ DRX = 5	4.82	mA
	Sleep (USB disconnected) @ DRX = 9	4.55	mA
	Sleep (USB disconnected) @ DRX = 6	4.60	mA
WCDMA supply current	Sleep (USB disconnected) @ DRX = 7	4.55	mA
	Sleep (USB disconnected) @ DRX = 8	3.70	mA
	Sleep (USB disconnected) @ DRX = 9	3.60	mA
CDMA supply current	BC0 CH283 @ Slot Cycle Index = 1	4.80	mA
	BC0 CH283 @ Slot Cycle Index = 7	5.80	mA
LTE-FDD supply current	Sleep (USB disconnected) @ DRX = 5	7.03	mA
	Sleep (USB disconnected) @ DRX = 6	4.95	mA
	Sleep (USB disconnected) @ DRX = 7	4.20	mA
	Sleep (USB disconnected) @ DRX = 9	3.90	mA
LTE-TDD supply current	Sleep (USB disconnected) @ DRX = 5	6.78	mA
	Sleep (USB disconnected) @ DRX = 6	5.11	mA
	Sleep (USB disconnected) @ DRX = 7	4.34	mA
	Sleep (USB disconnected) @ DRX = 9	3.93	mA
GSM voice call	EGSM900 @ PCL 5	255.7	mA
	EGSM900 @ PCL 12	145.9	mA
	EGSM900 @ PCL 19	98.68	mA
	DCS1800 @ PCL 0	185.8	mA
	DCS1800 @ PCL 7	143.2	mA
	DCS1800 @ PCL 15	97.06	mA
WCDMA voice call	B1 @ max. power	611.1	mA
	B8 @ max. power	536.6	mA
GPRS data transfer	EGSM900 (1UL/4DL) @ PCL 5	246.2	mA

	EGSM900 (2UL/3DL) @ PCL 5	380.1	mA
	EGSM900 (3UL/2DL) @ PCL 5	455	mA
	EGSM900 (4UL/1DL) @ PCL 5	555.6	mA
	DCS1800 (1UL/4DL) @ PCL 0	175.1	mA
	DCS1800 (2UL/3DL) @ PCL 0	266.2	mA
	DCS1800 (3UL/2DL) @ PCL 0	338.4	mA
	DCS1800 (4UL/1DL) @ PCL 0	427.5	mA
EDGE data transfer	EGSM900 (1UL/4DL) @ PCL 8	181.9	mA
	EGSM900 (2UL/3DL) @ PCL 8	305.6	mA
	EGSM900 (3UL/2DL) @ PCL 8	421.4	mA
	EGSM900 (4UL/1DL) @ PCL 8	562.5	mA
	DCS1800 (1UL/4DL) @ PCL 2	163.2	mA
	DCS1800 (2UL/3DL) @ PCL 2	274.4	mA
	DCS1800 (3UL/2DL) @ PCL 2	386.4	mA
	DCS1800 (4UL/1DL) @ PCL 2	465.5	mA
WCDMA data transfer	B1 (HSDPA) @ max. power	551.4	mA
	B8 (HSDPA) @ max. power	482.5	mA
	B1 (HSUPA) @ max. power	583.4	mA
	B8 (HSUPA) @ max. power	493.5	mA
EVDO/CDMA data transfer	BC0 @ max. power	526.0	mA
LTE data transfer	LTE-FDD B1 @ max. power	717.5	mA
	LTE-FDD B3 @ max. power	679.4	mA
	LTE-FDD B5 @ max. power	633.5	mA
	LTE-FDD B8 @ max. power	621.7	mA
	LTE-TDD B34 @ max. power	369.1	mA

LTE-TDD B38 @ max. power	380.3	mA
LTE-TDD B39 @ max. power	382.1	mA
LTE-TDD B40 @ max. power	439.3	mA
LTE-TDD B41 @ max. power	436.5	mA

Table 48: SC200R-EM Current Consumption

Description	Conditions	Typ.	Unit
OFF state	Power down	20	μA
GSM/GPRS supply current	Sleep (USB disconnected) @ DRX = 2	3.9	mA
	Sleep (USB disconnected) @ DRX = 5	2.9	mA
	Sleep (USB disconnected) @ DRX = 9	2.6	mA
WCDMA supply current	Sleep (USB disconnected) @ DRX = 6	4.1	mA
	Sleep (USB disconnected) @ DRX = 8	3.1	mA
	Sleep (USB disconnected) @ DRX = 9	2.8	mA
LTE-FDD supply current	Sleep (USB disconnected) @ DRX = 6	4.6	mA
	Sleep (USB disconnected) @ DRX = 8	3.5	mA
	Sleep (USB disconnected) @ DRX = 9	3.0	mA
LTE-TDD supply current	Sleep (USB disconnected) @ DRX = 6	4.7	mA
	Sleep (USB disconnected) @ DRX = 8	3.6	mA
	Sleep (USB disconnected) @ DRX = 9	3.0	mA
GSM voice call	GSM850 @ PCL 5	282.9	mA
	GSM850 @ PCL 12	116.4	mA
	GSM850 @ PCL 19	96.7	mA
	EGSM900 @ PCL 5	268.6	mA
	EGSM900 @ PCL 12	155.9	mA

	EGSM900 @ PCL 19	94.6	mA
	DCS1800 @ PCL 0	201.7	mA
	DCS1800 @ PCL 7	155.4	mA
	DCS1800 @ PCL 15	150.3	mA
	PCS1900 @ PCL 0	200.3	mA
	PCS1900 @ PCL 7	155.4	mA
	PCS1900 @ PCL 15	151.1	mA
WCDMA voice call	B1 @ max. power	559.4	mA
	B2 @ max. power	583	mA
	B4 @ max. power	587.6	mA
	B5 @ max. power	511.9	mA
	B8 @ max. power	558.7	mA
GPRS data transfer	GSM850 (1UL/4DL) @ PCL 5	278.8	mA
	GSM850 (2UL/3DL) @ PCL 5	414.2	mA
	GSM850 (3UL/2DL) @ PCL 5	495.3	mA
	GSM850 (4UL/1DL) @ PCL 5	598.1	mA
	EGSM900 (1UL/4DL) @ PCL 5	262.4	mA
	EGSM900 (2UL/3DL) @ PCL 5	397	mA
	EGSM900 (3UL/2DL) @ PCL 5	469.3	mA
	EGSM900 (4UL/1DL) @ PCL 5	566	mA
	DCS1800 (1UL/4DL) @ PCL 0	195.5	mA
	DCS1800 (2UL/3DL) @ PCL 0	289	mA
	DCS1800 (3UL/2DL) @ PCL 0	366.5	mA
	DCS1800 (4UL/1DL) @ PCL 0	456.7	mA
	PCS1900 (1UL/4DL) @ PCL 0	186.8	mA

	PCS1900 (2UL/3DL) @ PCL 0	279.2	mA
	PCS1900 (3UL/2DL) @ PCL 0	361.2	mA
	PCS1900 (4UL/1DL) @ PCL 0	453.3	mA
	GSM850 (1UL/4DL) @ PCL 8	210.64	mA
	GSM850 (2UL/3DL) @ PCL 8	337.6	mA
	GSM850 (3UL/2DL) @ PCL 8	454.4	mA
	GSM850 (4UL/1DL) @ PCL 8	579.1	mA
	EGSM900 (1UL/4DL) @ PCL 8	209.1	mA
	EGSM900 (2UL/3DL) @ PCL 8	333.5	mA
	EGSM900 (3UL/2DL) @ PCL 8	454.2	mA
	EGSM900 (4UL/1DL) @ PCL 8	578.9	mA
EDGE data transfer	DCS1800 (1UL/4DL) @ PCL 2	197.3	mA
	DCS1800 (2UL/3DL) @ PCL 2	304.5	mA
	DCS1800 (3UL/2DL) @ PCL 2	393.4	mA
	DCS1800 (4UL/1DL) @ PCL 2	495.1	mA
	PCS1900 (1UL/4DL) @ PCL 2	184.7	mA
	PCS1900 (2UL/3DL) @ PCL 2	292.2	mA
	PCS1900 (3UL/2DL) @ PCL 2	393.4	mA
	PCS1900 (4UL/1DL) @ PCL 2	496.2	mA
	B1 (HSDPA) @ max. power	511.3	mA
	B2 (HSDPA) @ max. power	511.1	mA
	B4 (HSDPA) @ max. power	550.2	mA
WCDMA data transfer	B5 (HSDPA) @ max. power	458.4	mA
	B8 (HSDPA) @ max. power	484.5	mA
	B1 (HSUPA) @ max. power	524.9	mA

	B2 (HSUPA) @ max. power	566.8	mA
	B4 (HSUPA) @ max. power	566.2	mA
	B5 (HSUPA) @ max. power	493.1	mA
	B8 (HSUPA) @ max. power	522.3	mA
LTE data transfer	LTE-FDD B1 @ max. power	728.1	mA
	LTE-FDD B2 @ max. power	723	mA
	LTE-FDD B3 @ max. power	732.4	mA
	LTE-FDD B4 @ max. power	758.7	mA
	LTE-FDD B5 @ max. power	615.5	mA
	LTE-FDD B7 @ max. power	826.9	mA
	LTE-FDD B8 @ max. power	642.7	mA
	LTE-FDD B20 @ max. power	677.9	mA
	LTE-FDD B28 @ max. power	764.5	mA
	LTE-TDD B38 @ max. power	448.4	mA
	LTE-TDD B40 @ max. power	432.7	mA
	LTE-TDD B41 @ max. power	444.2	mA

Table 49: SC200R-NA Current Consumption

Description	Conditions	Typ.	Unit
OFF state	Power down	8	μA
WCDMA supply current	Sleep (USB disconnected) @ DRX = 6	3.698	mA
	Sleep (USB disconnected) @ DRX = 8	2.711	mA
	Sleep (USB disconnected) @ DRX = 9	2.566	mA
LTE-FDD supply current	Sleep (USB disconnected) @ DRX = 6	6.698	mA
	Sleep (USB disconnected) @ DRX = 8	3.509	mA

	Sleep (USB disconnected) @ DRX = 9	3.011	mA
LTE-TDD supply current	Sleep (USB disconnected) @ DRX = 6	6.954	mA
	Sleep (USB disconnected) @ DRX = 8	3.611	mA
	Sleep (USB disconnected) @ DRX = 9	2.897	mA
WCDMA voice call	B2 @ max. power	603.0	mA
	B4 @ max. power	659.3	mA
	B5 @ max. power	586.1	mA
WCDMA data transfer	B2 (HSDPA) @ max. power	617.1	mA
	B4 (HSDPA) @ max. power	608.5	mA
	B5 (HSDPA) @ max. power	541.7	mA
	B2 (HSUPA) @ max. power	631.8	mA
	B4 (HSUPA) @ max. power	608.8	mA
	B5 (HSUPA) @ max. power	553.3	mA
LTE data transfer	LTE-FDD B2 @ max. power	729.9	mA
	LTE-FDD B4 @ max. power	727.8	mA
	LTE-FDD B5 @ max. power	581.1	mA
	LTE-FDD B7 @ max. power	850.7	mA
	LTE-FDD B12 @ max. power	734.9	mA
	LTE-FDD B13 @ max. power	721.7	mA
	LTE-FDD B14 @ max. power	700	mA
	LTE-FDD B17 @ max. power	763.5	mA
	LTE-FDD B25 @ max. power	771.9	mA
	LTE-FDD B26 @ max. power	659.5	mA
	LTE-FDD B66 @ max. power	718.6	mA
	LTE-FDD B71 @ max. power	688.1	mA

LTE-TDD B41 @ max. power	469.1	mA
--------------------------	-------	----

Table 50: SC200R-JP* Current Consumption

Description	Conditions	Typ.	Unit
OFF state	Power down	TBD	μA
WCDMA supply current	Sleep (USB disconnected) @ DRX = 6	TBD	mA
	Sleep (USB disconnected) @ DRX = 8	TBD	mA
	Sleep (USB disconnected) @ DRX = 9	TBD	mA
LTE-FDD supply current	Sleep (USB disconnected) @ DRX = 6	TBD	mA
	Sleep (USB disconnected) @ DRX = 8	TBD	mA
	Sleep (USB disconnected) @ DRX = 9	TBD	mA
LTE-TDD supply current	Sleep (USB disconnected) @ DRX = 6	TBD	mA
	Sleep (USB disconnected) @ DRX = 8	TBD	mA
	Sleep (USB disconnected) @ DRX = 9	TBD	mA
WCDMA voice call	B1 @ max. power	TBD	mA
	B6 @ max. power	TBD	mA
	B8 @ max. power	TBD	mA
	B19 @ max. power	TBD	mA
WCDMA data transfer	B1 (HSDPA) @ max. power	TBD	mA
	B6 (HSDPA) @ max. power	TBD	mA
	B8 (HSDPA) @ max. power	TBD	mA
	B19 (HSDPA) @ max. power	TBD	mA
	B1 (HSUPA) @ max. power	TBD	mA
	B6 (HSUPA) @ max. power	TBD	mA
	B8 (HSUPA) @ max. power	TBD	mA
	B19 (HSUPA) @ max. power	TBD	mA

	B19 (HSUPA) @ max. power	TBD	mA
	LTE-FDD B1 @ max. power	TBD	mA
	LTE-FDD B3 @ max. power	TBD	mA
	LTE-FDD B5 @ max. power	TBD	mA
	LTE-FDD B8 @ max. power	TBD	mA
	LTE-FDD B11 @ max. power	TBD	mA
LTE data transfer	LTE-FDD B18 @ max. power	TBD	mA
	LTE-FDD B19 @ max. power	TBD	mA
	LTE-FDD B21 @ max. power	TBD	mA
	LTE-FDD B26 @ max. power	TBD	mA
	LTE-FDD B28 @ max. power	TBD	mA
	LTE-TDD B41 @ max. power	TBD	mA

7.5. RF Output Power

The following tables show the RF output power of SC200R series modules.

Table 51: SC200R-CE RF Output Power

Frequency	Max.	Min.
EGSM900	33 dBm ±2 dB	5 dBm ±5 dB
DCS1800	30 dBm ±2 dB	0 dBm ±5 dB
WCDMA B1	24 dBm +1/-3 dB	< -49 dBm
WCDMA B8	24 dBm +1/-3 dB	< -49 dBm
EVDO/CDMA BC0	24 dBm +3/-1 dB	< -49 dBm
LTE-FDD B1	23 dBm ±2 dB	< -39 dBm
LTE-FDD B3	23 dBm ±2 dB	< -39 dBm

LTE-FDD B5	23 dBm \pm 2 dB	< -39 dBm
LTE-FDD B8	23 dBm \pm 2 dB	< -39 dBm
LTE-TDD B34	23 dBm \pm 2 dB	< -39 dBm
LTE-TDD B38	23 dBm \pm 2 dB	< -39 dBm
LTE-TDD B39	23 dBm \pm 2 dB	< -39 dBm
LTE-TDD B40	23 dBm \pm 2 dB	< -39 dBm
LTE-TDD B41	23 dBm \pm 2 dB	< -39 dBm

Table 52: SC200R-EM RF Output Power

Frequency	Max.	Min.
GSM850	33 dBm \pm 2 dB	5 dBm \pm 5 dB
EGSM900	33 dBm \pm 2 dB	5 dBm \pm 5 dB
DCS1800	30 dBm \pm 2 dB	0 dBm \pm 5 dB
PCS1900	30 dBm \pm 2 dB	0 dBm \pm 5 dB
WCDMA B1	24 dBm +1/-3 dB	< -49 dBm
WCDMA B2	24 dBm +1/-3 dB	< -49 dBm
WCDMA B4	24 dBm +1/-3 dB	< -49 dBm
WCDMA B5	24 dBm +1/-3 dB	< -49 dBm
WCDMA B8	24 dBm +1/-3 dB	< -49 dBm
LTE-FDD B1	23 dBm \pm 2 dB	< -39 dBm
LTE-FDD B2	23 dBm \pm 2 dB	< -39 dBm
LTE-FDD B3	23 dBm \pm 2 dB	< -39 dBm
LTE-FDD B4	23 dBm \pm 2 dB	< -39 dBm
LTE-FDD B5	23 dBm \pm 2 dB	< -39 dBm
LTE-FDD B7	23 dBm \pm 2 dB	< -39 dBm

LTE-FDD B8	23 dBm \pm 2 dB	< -39 dBm
LTE-FDD B20	23 dBm \pm 2 dB	< -39 dBm
LTE-FDD B28	23 dBm \pm 2 dB	< -39 dBm
LTE-TDD B38	23 dBm \pm 2 dB	< -39 dBm
LTE-TDD B40	23 dBm \pm 2 dB	< -39 dBm
LTE-TDD B41	23 dBm \pm 2 dB	< -39 dBm

Table 53: SC200R-NA RF Output Power

Frequency	Max.	Min.
WCDMA B2	24 dBm +1/-3 dB	< -49 dBm
WCDMA B4	24 dBm +1/-3 dB	< -49 dBm
WCDMA B5	24 dBm +1/-3 dB	< -49 dBm
LTE-FDD B2	23 dBm \pm 2 dB	< -39 dBm
LTE-FDD B4	23 dBm \pm 2 dB	< -39 dBm
LTE-FDD B5	23 dBm \pm 2 dB	< -39 dBm
LTE-FDD B7	23 dBm \pm 2 dB	< -39 dBm
LTE-FDD B12	23 dBm \pm 2 dB	< -39 dBm
LTE-FDD B13	23 dBm \pm 2 dB	< -39 dBm
LTE-FDD B14	23 dBm \pm 2 dB	< -39 dBm
LTE-FDD B17	23 dBm \pm 2 dB	< -39 dBm
LTE-FDD B25	23 dBm \pm 2 dB	< -39 dBm
LTE-FDD B26	23 dBm \pm 2 dB	< -39 dBm
LTE-FDD B66	23 dBm \pm 2 dB	< -39 dBm
LTE-FDD B71	23 dBm \pm 2 dB	< -39 dBm
LTE-TDD B41	23 dBm \pm 2 dB	< -39 dBm

Table 54: SC200R-JP* RF Output Power

Frequency	Max.	Min.
WCDMA B1	TBD	TBD
WCDMA B6	TBD	TBD
WCDMA B8	TBD	TBD
WCDMA B19	TBD	TBD
LTE-FDD B1	TBD	TBD
LTE-FDD B3	TBD	TBD
LTE-FDD B5	TBD	TBD
LTE-FDD B8	TBD	TBD
LTE-FDD B11	TBD	TBD
LTE-FDD B18	TBD	TBD
LTE-FDD B19	TBD	TBD
LTE-FDD B21	TBD	TBD
LTE-FDD B26	TBD	TBD
LTE-FDD B28	TBD	TBD
LTE-TDD B41	TBD	TBD

NOTE

In GPRS 4-slot Tx mode, the maximum output power is reduced by 3 dB. This design conforms to the GSM specification as described in **Chapter 13.16** of *3GPP TS 51.010-1*.

7.6. RF Receiving Sensitivity

The following table shows the RF receiving sensitivity of SC200R series modules.

Table 55: SC200R-CE RF Receiving Sensitivity

Frequency	Receiving Sensitivity (Typ.)			3GPP (SIMO)
	Primary	Diversity	SIMO	
EGSM900	-109	-	-	-102.4 dBm
DCS1800	-109	-	-	-102.4 dBm
WCDMA B1	-109	-109.5	TBD	-106.7 dBm
WCDMA B8	-110	-110	TBD	-103.7 dBm
EVDO/CDMA BC0	-109.5	-	-	-104 dBm
LTE-FDD B1 (10 MHz)	-97.6	-99	-101.2	-96.3 dBm
LTE-FDD B3 (10 MHz)	-97.2	-96	-99.2	-93.3 dBm
LTE-FDD B5 (10 MHz)	-99.2	-100	-102.8	-94.3 dBm
LTE-FDD B8 (10 MHz)	-97.9	-100.3	-102.2	-93.3 dBm
LTE-TDD B34 (10 MHz)	-98.2	-98.3	-100.5	-96.3 dBm
LTE-TDD B38 (10 MHz)	-98.0	-98.0	-100.5	-96.3 dBm
LTE-TDD B39 (10 MHz)	-98.3	-99	-101.2	-96.3 dBm
LTE-TDD B40 (10 MHz)	-98.7	-98	-101.3	-96.3 dBm
LTE-TDD B41 (10 MHz)	-97.2	-97.9	-99.2	-94.3 dBm

Table 56: SC200R-EM RF Receiving Sensitivity

Frequency	Receiving Sensitivity (Typ.)			3GPP (SIMO)
	Primary	Diversity	SIMO	
GSM850	-110.6	-	-	-102.4 dBm
EGSM900	-110.2	-	-	-102.4 dBm
DCS1800	-108.9	-	-	-102.4 dBm
PCS1900	-109	-	-	-102.4 dBm

WCDMA B1	-109.5	-111	TBD	-106.7 dBm
WCDMA B2	-110	109.5	TBD	-104.7 dBm
WCDMA B4	-110	-109.5	TBD	-106.7 dBm
WCDMA B5	-111.5	-111	TBD	-104.7 dBm
WCDMA B8	-111	-111.5	TBD	-103.7 dBm
LTE-FDD B1 (10 MHz)	-98.2	-99.5	-100.5	-96.3 dBm
LTE-FDD B2 (10 MHz)	-98.2	-98.2	-100.5	-94.3 dBm
LTE-FDD B3 (10 MHz)	-97.8	-97.8	-100	-93.3 dBm
LTE-FDD B4 (10 MHz)	-98.2	-99.5	-101.5	-96.3 dBm
LTE-FDD B5 (10 MHz)	-100	-100.5	-101.5	-94.3 dBm
LTE-FDD B7 (10 MHz)	-97.3	-97.5	-100	-94.3 dBm
LTE-FDD B8 (10 MHz)	-99.5	-100	-102.5	-93.3 dBm
LTE-FDD B20 (10 MHz)	-99.5	-100.2	-102.5	-93.3 dBm
LTE-FDD B28 (10 MHz)	-98.3	-99.5	-101.5	-94.8 dBm
LTE-TDD B38 (10 MHz)	-98	-98	-100.5	-96.3 dBm
LTE-TDD B40 (10 MHz)	-99	-99	-101.5	-96.3 dBm
LTE-TDD B41 (10 MHz)	-97.3	-97.2	-99.5	-94.3 dBm

Table 57: SC200R-NA RF Receiving Sensitivity

Frequency	Receiving Sensitivity (Typ.)			3GPP (SIMO)
	Primary	Diversity	SIMO	
WCDMA B2	-109.5	-110	TBD	-104.7 dBm
WCDMA B4	-110	-110	TBD	-106.7 dBm
WCDMA B5	-111	-111.5	TBD	-104.7 dBm
LTE-FDD B2 (10 MHz)	-98.6	-99.3	-99	-94.3 dBm

LTE-FDD B4 (10 MHz)	-98.4	-98.9	-101.4	-96.3 dBm
LTE-FDD B5 (10 MHz)	-99.8	-100.9	-103.8	-94.3 dBm
LTE-FDD B7 (10 MHz)	-97.6	-98.9	-101.3	-93.3 dBm
LTE-FDD B12 (10 MHz)	-98.8	-98.8	-102.2	-93.3 dBm
LTE-FDD B13 (10 MHz)	-99.8	-99.3	-102.6	-93.3 dBm
LTE-FDD B14 (10 MHz)	-98.9	-98.8	-101.9	-93.3 dBm
LTE-FDD B17 (10 MHz)	-97.6	-99	-101.7	-93.3 dBm
LTE-FDD B25 (10 MHz)	-98.4	-99.3	-101.6	-92.8 dBm
LTE-FDD B26 (10 MHz)	-99.8	-100.8	-103.6	-93.8 dBm
LTE-FDD B66 (10 MHz)	-98.5	-99	-101.5	-96.3 dBm
LTE-FDD B71 (10 MHz)	-97.8	-97.6	-100.8	-93.5 dBm
LTE-TDD B41 (10 MHz)	-98.1	-97.8	-100.8	-94.3 dBm

Table 58: SC200R-JP* RF Receiving Sensitivity

Frequency	Receiving Sensitivity (Typ.)			3GPP (SIMO)
	Primary	Diversity	SIMO	
WCDMA B1	TBD	TBD	TBD	-102.4 dBm
WCDMA B6	TBD	TBD	TBD	-102.4 dBm
WCDMA B8	TBD	TBD	TBD	-106.7 dBm
WCDMA B19	TBD	TBD	TBD	-103.7 dBm
LTE-FDD B1 (10 MHz)	TBD	TBD	TBD	-96.3 dBm
LTE-FDD B3 (10 MHz)	TBD	TBD	TBD	-93.3 dBm
LTE-FDD B5 (10 MHz)	TBD	TBD	TBD	-94.3 dBm
LTE-FDD B8 (10 MHz)	TBD	TBD	TBD	-93.3 dBm
LTE-FDD B11 (10 MHz)	TBD	TBD	TBD	-96.3 dBm

LTE-FDD B18 (10 MHz)	TBD	TBD	TBD	-96.3 dBm
LTE-FDD B19 (10 MHz)	TBD	TBD	TBD	-96.3 dBm
LTE-FDD B21 (10 MHz)	TBD	TBD	TBD	-96.3 dBm
LTE-FDD B26 (10 MHz)	TBD	TBD	TBD	-93.8 dBm
LTE-FDD B28 (10 MHz)	TBD	TBD	TBD	-94.8 dBm
LTE-TDD B41 (10 MHz)	TBD	TBD	TBD	-94.3 dBm

7.7. Electrostatic Discharge

The module is not protected against electrostatic discharge (ESD) in general. Consequently, it should be subject to ESD handling precautions that are typically applied to ESD sensitive components. Proper ESD handling and packaging procedures must be applied throughout the processing, handling and operation of any application that incorporates the module.

The following table shows the electrostatic discharge characteristics of SC200R series module.

Table 59: ESD Characteristics (Temperature: 25 °C, Humidity: 45 %)

Tested Points	Contact Discharge	Air Discharge	Unit
VBAT, GND	+/-5	+/-10	kV
All Antenna Interfaces	+/-5	+/-10	kV
Other Interfaces	+/-0.5	+/-1	kV

8 Mechanical Dimensions

This chapter describes the mechanical dimensions of the module. All dimensions are measured in millimeter (mm), and the tolerances for dimensions without tolerance values are ± 0.2 mm.

8.1. Mechanical Dimensions of the Module

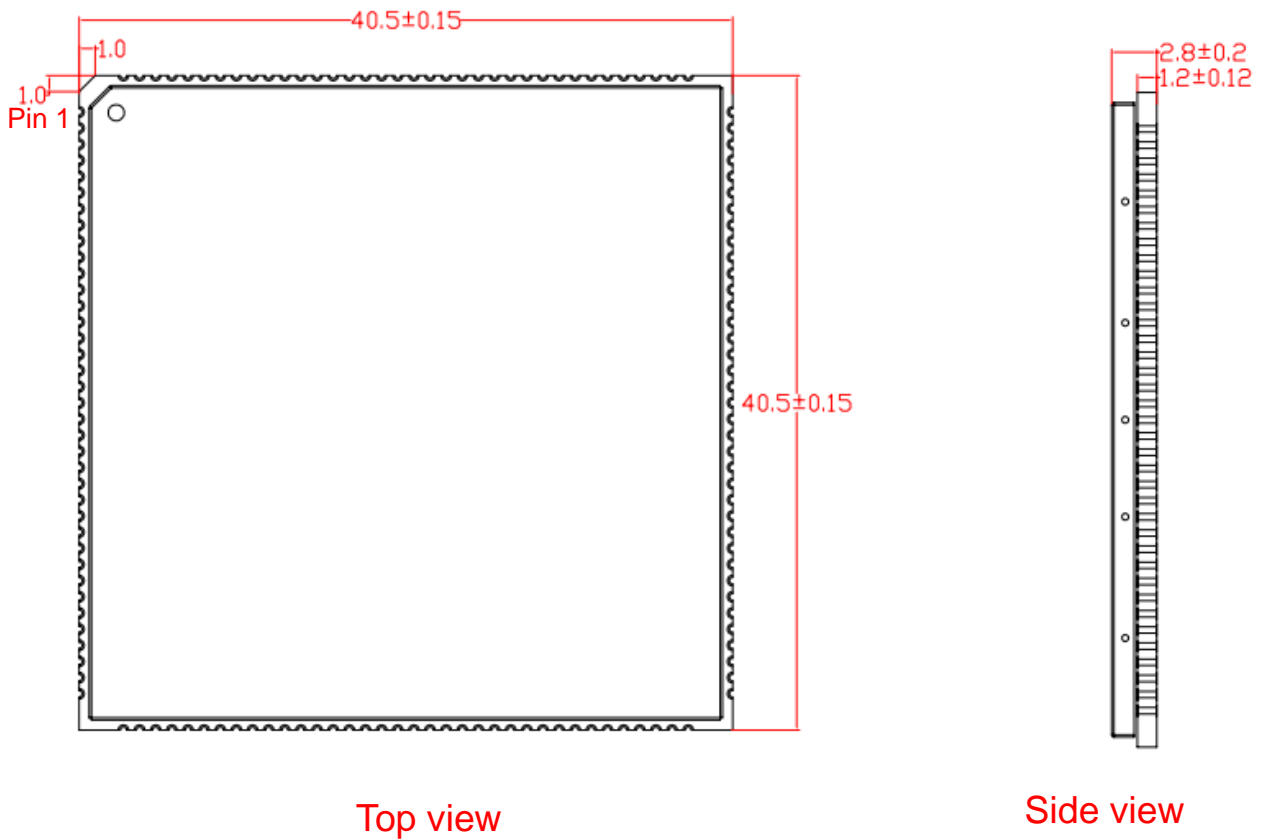


Figure 40: Top and Side Dimensions

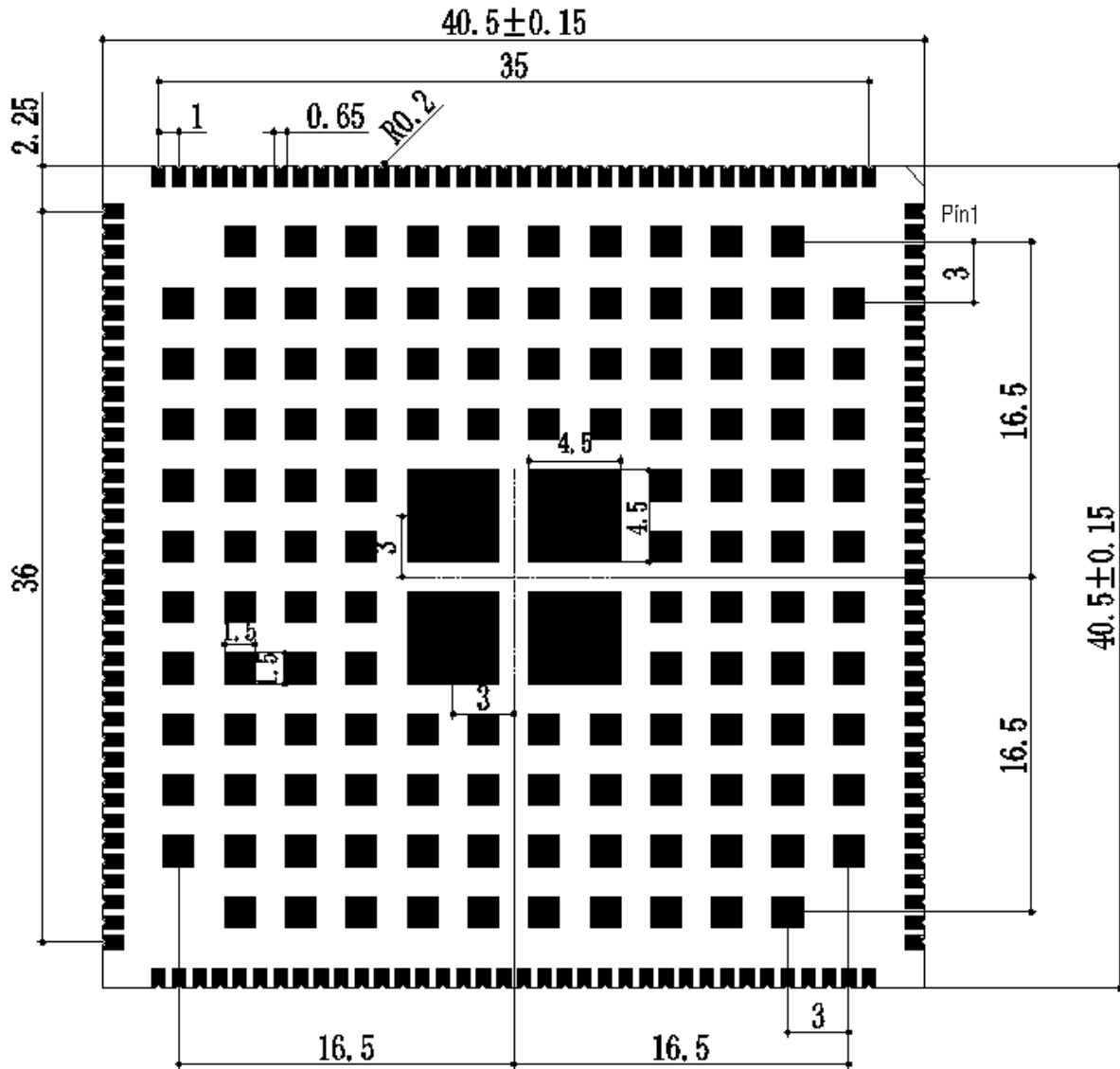


Figure 41: Bottom Dimensions (Bottom View)

NOTE

The package warpage level of the module conforms to JEITA ED-7306 standard.

8.3. Top and Bottom Views of the Module

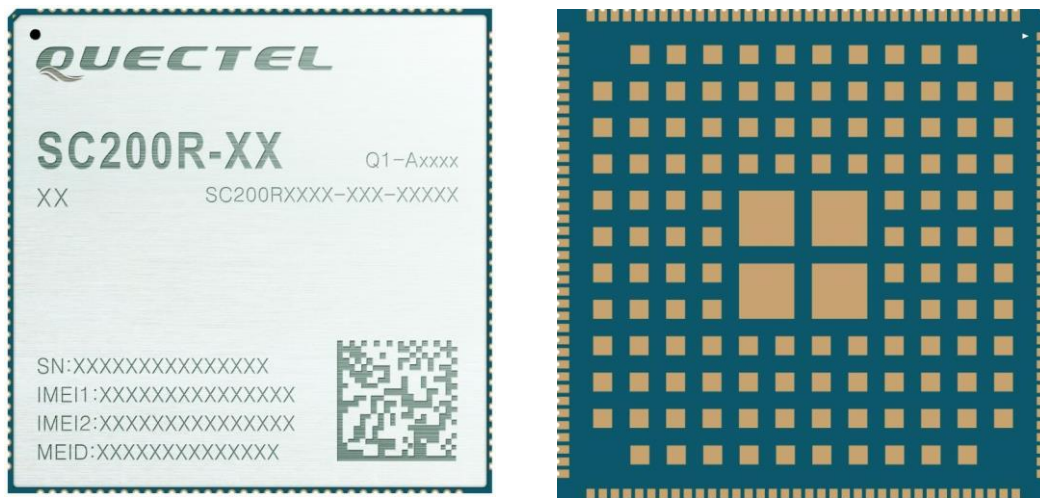


Figure 43: Top and Bottom Views of the Module

NOTE

Images above are for illustration purpose only and may differ from the actual module. For authentic appearance and label, please refer to the module received from Quectel.

9 Storage, Manufacturing and Packaging

9.1. Storage

The module is provided with vacuum-sealed packaging. MSL of the module is rated as 3. The storage requirements are shown below.

1. Recommended Storage Condition: The temperature should be 23 ± 5 °C and the relative humidity should be 35–60 %.
2. The storage life (in vacuum-sealed packaging) is 12 months in Recommended Storage Condition.
3. The floor life of the module is 168 hours ¹⁾ in a plant where the temperature is 23 ± 5 °C and relative humidity is below 60 %. After the vacuum-sealed packaging is removed, the module must be processed in reflow soldering or other high-temperature operations within 168 hours. Otherwise, the module should be stored in an environment where the relative humidity is less than 10 % (e.g. a drying cabinet).
4. The module should be pre-baked to avoid blistering, cracks and inner-layer separation in PCB under the following circumstances:
 - The module is not stored in Recommended Storage Condition;
 - Violation of the third requirement above occurs;
 - Vacuum-sealed packaging is broken, or the packaging has been removed for over 24 hours;
 - Before module repairing.
5. If needed, the pre-baking should follow the requirements below:
 - The module should be baked for 8 hours at 120 ± 5 °C;
 - All modules must be soldered to PCB within 24 hours after the baking, otherwise they should be put in a dry environment such as in a drying oven.

NOTES

1. ¹⁾ This floor life is only applicable when the environment conforms to *IPC/JEDEC J-STD-033*. It is recommended to start the solder reflow process within 24 hours after the package is removed if the temperature and moisture do not conform to, or are not sure to conform to *IPC/JEDEC J-STD-033*. And do not remove the packages of tremendous modules if they are not ready for soldering.
2. To avoid blistering, layer separation and other soldering issues, extended exposure of the module to the air is forbidden.
3. Take out the module from the package and put it on high-temperature-resistant fixtures before baking. All modules must be soldered to PCB within 24 hours after the baking, otherwise put them in the drying oven. If shorter baking time is desired, see *IPC/JEDEC J-STD-033* for the baking procedure.
4. Pay attention to ESD protection, such as wearing anti-static gloves, when touching the modules.

9.2. Manufacturing and Soldering

Push the squeegee to apply the solder paste on the surface of stencil, thus making the paste fill the stencil openings and then penetrate to the PCB. The force on the squeegee should be adjusted properly so as to produce a clean stencil surface on a single pass. To ensure the module soldering quality, the thickness of stencil for the module is recommended to be 0.18–0.20 mm. For more details, see **document [4]**.

The peak reflow temperature should be 235–246 °C, with 246 °C as the absolute maximum reflow temperature. To avoid damage to the module caused by repeated heating, it is strongly recommended that the module should be mounted only after reflow soldering for the other side of PCB has been completed. The recommended reflow soldering thermal profile (lead-free reflow soldering) and related parameters are shown below.

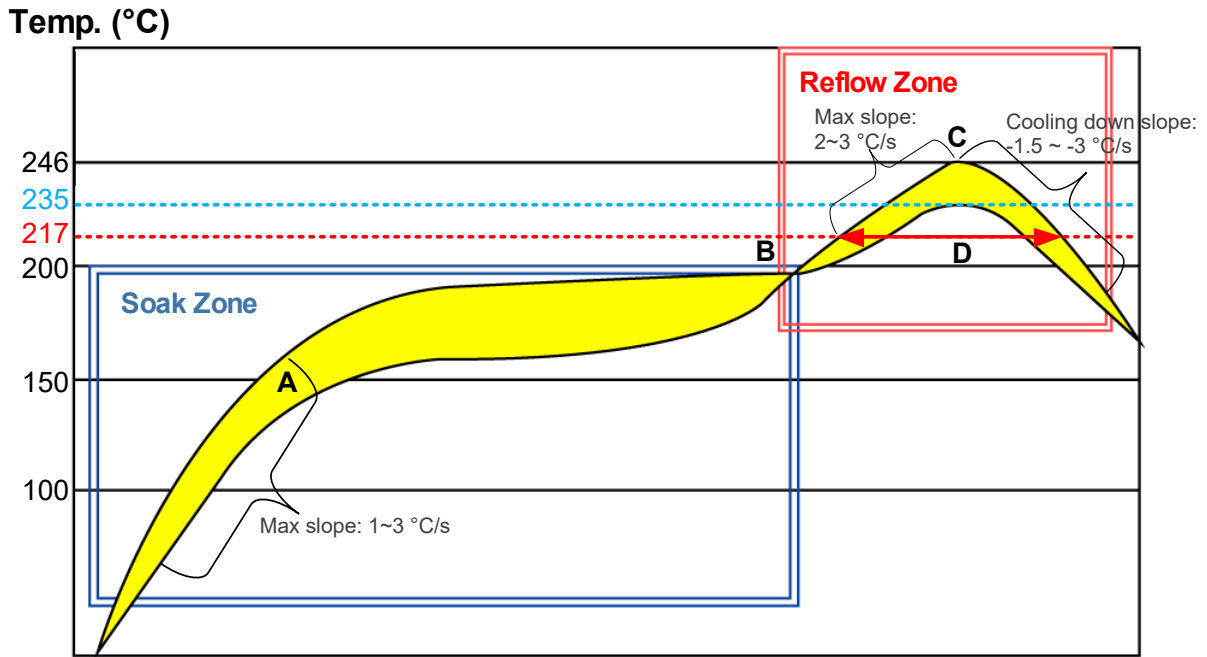


Figure 44: Recommended Reflow Soldering Thermal Profile

Table 60: Recommended Thermal Profile Parameters

Factor	Recommendation
Soak Zone	
Max slope	1–3 °C/s
Soak time (between A and B: 150 °C and 200 °C)	70–120 s
Reflow Zone	
Max slope	2–3 °C/s
Reflow time (D: over 217 °C)	40–70 s
Max temperature	235 °C to 246 °C
Cooling down slope	-1.5 to -3 °C/s
Reflow Cycle	
Max reflow cycle	1

NOTE

If a conformal coating is necessary for the module, do NOT use any coating material that may chemically react with the PCB or shielding cover, and prevent the coating material from flowing into the module.

9.3. Packaging

SC200R series module is packaged in tape and reel carriers, and sealed in the vacuum-sealed bag. It is not recommended to open the vacuum package before using the module for actual production. Each reel is 380 mm in diameter and contains 200 modules. The following figures show the package details, measured in mm.

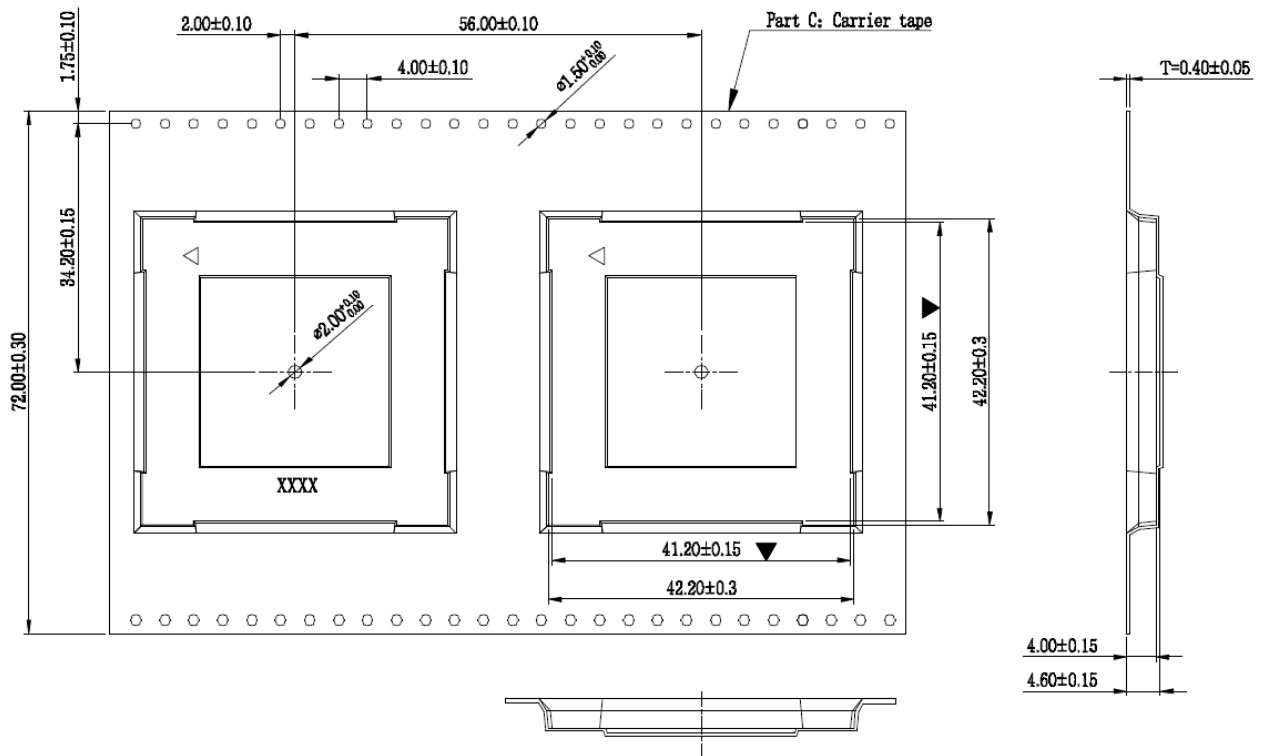


Figure 45: Tape Dimensions (Unit: mm)

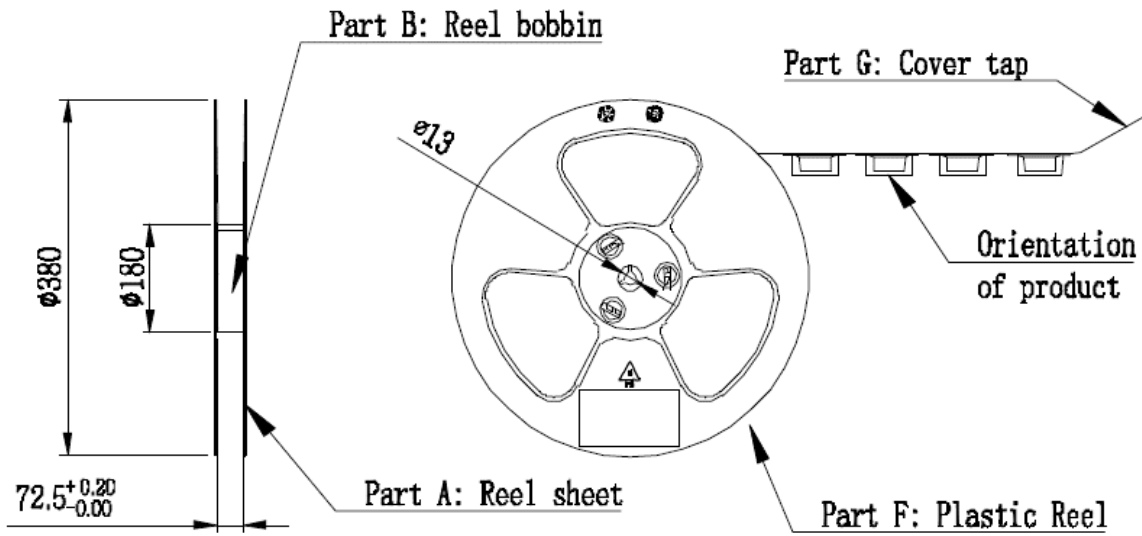


Figure 46: Reel Dimensions (Unit: mm)

Table 61: Reel Packaging

Model Name	MOQ for MP	Minimum Package: 200 pcs	Minimum Package × 4 = 800 pcs
SC200R series	200 pcs	Size: 405 mm × 390 mm × 83 mm N.W.: 1.9 kg G.W.: 3.7 kg	Size: 425 mm × 358 mm × 410 mm N.W.: 7.6 kg G.W.: 15.2 kg

10 Appendix References

Table 62: Related Documents

SN	Document Name	Description
[1]	Quectel_Smart_EVB_G2_User_Guide	Smart EVB G2 User Guide
[2]	Quectel_SC200R_Series_Pin_Description_and_GPIO_Configuration	SC200R Series Pin Description and GPIO Configuration
[3]	Quectel_RF_Layout_Application_Note	RF Layout Application Note
[4]	Quectel_Module_Secondary_SMT_Application_Note	Module Secondary SMT Application Note
[5]	Quectel_SC200R_Series_Reference_Design	SC200R Series Reference Design

Table 63: Terms and Abbreviations

Abbreviation	Description
ADC	Analog-to-Digital Converter
ADSP	Audio Digital Signal Processor
ALS	Ambient Light Sensor
AMR	Adaptive Multi-rate
AP	Access Point
ARM	Advanced RISC Machine
BB	Baseband
BLE	Bluetooth Low Energy
bps	Bits per Second
BR	Basic Rate

CDMA	Code Division Multiple Access
CEP	Circular Error Probable
CMOS	Complementary Metal-Oxide-Semiconductor
CPE	Customer-Premise Equipment
CS	Coding Scheme
CSD	Circuit Switched Data
CSI	Camera Serial Interface
CTS	Clear to Send
DC	Dual Carrier
DCS	Digital Cellular System
DL	Downlink
DPSK	Differential Phase Shift Keying
DQPSK	Differential Quadrature Reference Phase Shift Keying
DRX	Discontinuous Reception
DSI	Display Serial Interface
DSP	Digital Signal Processor
ECM	Electret Condenser Microphone
EDGE	Enhanced Data Rate for GSM Evolution
EDR	Enhanced Data Rate
EFR	Enhanced Full Rate
EGSM	Extended GSM
eMMC	Embedded Multimedia Card
eSCO	Extended Synchronous Connection Oriented
ESD	Electrostatic Discharge
ESR	Equivalent Series Resistance

ETSI	European Telecommunications Standards Institute
EVB	Evaluation Board
EV-DO/EVDO	Evolution-Data Optimized
EVRC	Enhanced Variable Rate Codec
FDD	Frequency Division Duplex
FEM	Front End Module
fps	Frame per Second
FR	Full Rate
GFSK	Gaussian Frequency Shift Keying
GLONASS	Global Navigation Satellite System (Russia)
GMSK	Gaussian Minimum Shift Keying
GNSS	Global Navigation Satellite System
GPIO	General Purpose Input/Output
GPRS	General Packet Radio Service
GPS	Global Positioning System
GPU	Graphics Processing Unit
GRFC	Generic RF control
GSM	Global System for Mobile Communications
G.W.	Gross Weight
HD+	High Definition Plus
HR	Half Rate
HS	High Speed
HSDPA	High Speed Downlink Packet Access
HSPA	High Speed Packet Access
HSPA+	High-Speed Packet Access+

HSUPA	High Speed Uplink Packet Access
HT	High Throughput
IC	Integrated Circuit
IEEE	Institute of Electrical and Electronics Engineers
I/O	Input/Output
I2C	Inter-Integrated Circuit
IMT-2000	International Mobile Telecommunications for the year 2000
I _o max	Maximum Output Load Current
LCC	Leadless Chip Carrier
LCD	Liquid Crystal Display
LCM	LCD Module
LDO	Low Dropout Regulator
LE	Low Energy
LED	Light Emitting Diode
LGA	Land Grid Array
LNA	Low Noise Amplifier
LPDDR	Low-Power Double Data Rate
LTE	Long-Term Evolution
M2M	Machine to Machine
MAC	Media Access Control
MCS	Modulation and Coding Scheme
MEMS	Micro-Electro-Mechanical System
MIPI	Mobile Industry Processor Interface
MOQ	Minimum Order Quantity
MP	Megapixel

MPP	Multi Purpose Pin
MSL	Moisture Sensitivity Levels
N.W.	Net Weight
NFC	Near Field Communication
NTC	Negative Temperature Coefficient
OTA	Over-the-Air Upgrade
OTG	On-The-Go
OTP	One Time Programable
PA	Power Amplifier
PC	Personal Computer
PCB	Printed Circuit Board
PCL	Power Control Level
PCS	Personal Communication Service
PDA	Personal Digital Assistant
PDU	Protocol Data Unit
PHY	Physical Layer
PMU	Power Management Unit
POS	Point of Sale
PS	Proximity Sensor
PWM	Pulse Width Modulation
PSK	Phase Shift Keying
QAM	Quadrature Amplitude Modulation
QPSK	Quadrature Phase Shift Keying
RF	Radio Frequency
RFFE	RF Front End

RoHS	Restriction of Hazardous Substances
RTC	Real Time Clock
RTS	Request to Send
SAW	Surface Acoustic Wave
SCO	Synchronous Connection Oriented
SD	Secure Digital
SIMO	Single Input Multiple Output
SMD	Surface Mounting Device
SMS	Short Message Service
SMT	Surface Mount Technology
SPI	Serial Peripheral Interface
STA	Station
TDD	Time-Division Duplex
TP	Touch Panel
TTF	Time to First Fix
TVS	Transient Voltage Suppressor
UART	Universal Asynchronous Receiver & Transmitter
UL	Uplink
UMTS	Universal Mobile Telecommunications System
USB	Universal Serial Bus
(U)SIM	(Universal) Subscriber Identity Module
VBAT	Voltage at Battery (Pin)
Vmax	Maximum Voltage Value
Vnom	Normal Voltage Value
Vmin	Minimum Voltage Value

V_I	Voltage Input
V_{IHmin}	Minimum Input High Level Voltage Value
V_{ILmax}	Maximum Input Low Level Voltage Value
V_O	Voltage Output
V_{Omax}	Maximum Output Voltage Value
V_{OHmax}	Maximum Output High Level Voltage Value
V_{OHmin}	Minimum Output High Level Voltage Value
V_{OLmax}	Maximum Output Low Level Voltage Value
WAPI	WLAN Authentication and Privacy Infrastructure
WCDMA	Wideband Code Division Multiple Access
WLAN	Wireless Local Area Network
XO	Crystal Oscillator
