

RG520F&RG520N Series

Hardware Design

5G Module Series

Version: 1.0.1

Date: 2022-01-21

Status: Preliminary



At Quectel, our aim is to provide timely and comprehensive services to our customers. If you require any assistance, please contact our headquarters:

Quectel Wireless Solutions Co., Ltd.

Building 5, Shanghai Business Park Phase III (Area B), No.1016 Tianlin Road, Minhang District, Shanghai 200233, China

Tel: +86 21 5108 6236

Email: info@quectel.com

Or our local offices. For more information, please visit:

<http://www.quectel.com/support/sales.htm>.

For technical support, or to report documentation errors, please visit:

<http://www.quectel.com/support/technical.htm>.

Or email us at: support@quectel.com.

Legal Notices

We offer information as a service to you. The provided information is based on your requirements and we make every effort to ensure its quality. You agree that you are responsible for using independent analysis and evaluation in designing intended products, and we provide reference designs for illustrative purposes only. Before using any hardware, software or service guided by this document, please read this notice carefully. Even though we employ commercially reasonable efforts to provide the best possible experience, you hereby acknowledge and agree that this document and related services hereunder are provided to you on an “as available” basis. We may revise or restate this document from time to time at our sole discretion without any prior notice to you.

Use and Disclosure Restrictions

License Agreements

Documents and information provided by us shall be kept confidential, unless specific permission is granted. They shall not be accessed or used for any purpose except as expressly provided herein.

Copyright

Our and third-party products hereunder may contain copyrighted material. Such copyrighted material shall not be copied, reproduced, distributed, merged, published, translated, or modified without prior written consent. We and the third party have exclusive rights over copyrighted material. No license shall be granted or conveyed under any patents, copyrights, trademarks, or service mark rights. To avoid ambiguities, purchasing in any form cannot be deemed as granting a license other than the normal non-exclusive, royalty-free license to use the material. We reserve the right to take legal action for noncompliance with abovementioned requirements, unauthorized use, or other illegal or malicious use of the material.

Trademarks

Except as otherwise set forth herein, nothing in this document shall be construed as conferring any rights to use any trademark, trade name or name, abbreviation, or counterfeit product thereof owned by Quectel or any third party in advertising, publicity, or other aspects.

Third-Party Rights

This document may refer to hardware, software and/or documentation owned by one or more third parties (“third-party materials”). Use of such third-party materials shall be governed by all restrictions and obligations applicable thereto.

We make no warranty or representation, either express or implied, regarding the third-party materials, including but not limited to any implied or statutory, warranties of merchantability or fitness for a particular purpose, quiet enjoyment, system integration, information accuracy, and non-infringement of any third-party intellectual property rights with regard to the licensed technology or use thereof. Nothing herein constitutes a representation or warranty by us to either develop, enhance, modify, distribute, market, sell, offer for sale, or otherwise maintain production of any our products or any other hardware, software, device, tool, information, or product. We moreover disclaim any and all warranties arising from the course of dealing or usage of trade.

Privacy Policy

To implement module functionality, certain device data are uploaded to Quectel’s or third-party’s servers, including carriers, chipset suppliers or customer-designated servers. Quectel, strictly abiding by the relevant laws and regulations, shall retain, use, disclose or otherwise process relevant data for the purpose of performing the service only or as permitted by applicable laws. Before data interaction with third parties, please be informed of their privacy and data security policy.

Disclaimer

- a) We acknowledge no liability for any injury or damage arising from the reliance upon the information.
- b) We shall bear no liability resulting from any inaccuracies or omissions, or from the use of the information contained herein.
- c) While we have made every effort to ensure that the functions and features under development are free from errors, it is possible that they could contain errors, inaccuracies, and omissions. Unless otherwise provided by valid agreement, we make no warranties of any kind, either implied or express, and exclude all liability for any loss or damage suffered in connection with the use of features and functions under development, to the maximum extent permitted by law, regardless of whether such loss or damage may have been foreseeable.
- d) We are not responsible for the accessibility, safety, accuracy, availability, legality, or completeness of information, advertising, commercial offers, products, services, and materials on third-party websites and third-party resources.

Copyright © Quectel Wireless Solutions Co., Ltd. 2022. All rights reserved.

Safety Information

The following safety precautions must be observed during all phases of operation, such as usage, service or repair of any cellular terminal or mobile incorporating the module. Manufacturers of the cellular terminal should notify users and operating personnel of the following safety information by incorporating these guidelines into all manuals of the product. Otherwise, Quectel assumes no liability for customers' failure to comply with these precautions.



Full attention must be paid to driving at all times in order to reduce the risk of an accident. Using a mobile while driving (even with a handsfree kit) causes distraction and can lead to an accident. Please comply with laws and regulations restricting the use of wireless devices while driving.



Switch off the cellular terminal or mobile before boarding an aircraft. The operation of wireless appliances in an aircraft is forbidden to prevent interference with communication systems. If there is an Airplane Mode, it should be enabled prior to boarding an aircraft. Please consult the airline staff for more restrictions on the use of wireless devices on an aircraft.



Wireless devices may cause interference on sensitive medical equipment, so please be aware of the restrictions on the use of wireless devices when in hospitals, clinics or other healthcare facilities.



Cellular terminals or mobiles operating over radio signal and cellular network cannot be guaranteed to connect in certain conditions, such as when the mobile bill is unpaid or the (U)SIM card is invalid. When emergency help is needed in such conditions, use emergency call if the device supports it. In order to make or receive a call, the cellular terminal or mobile must be switched on in a service area with adequate cellular signal strength. In an emergency, the device with emergency call function cannot be used as the only contact method considering network connection cannot be guaranteed under all circumstances.



The cellular terminal or mobile contains a transceiver. When it is ON, it receives and transmits radio frequency signals. RF interference can occur if it is used close to TV sets, radios, computers or other electric equipment.



In locations with explosive or potentially explosive atmospheres, obey all posted signs and turn off wireless devices such as mobile phone or other cellular terminals. Areas with explosive or potentially explosive atmospheres include fuelling areas, below decks on boats, fuel or chemical transfer or storage facilities, and areas where the air contains chemicals or particles such as grain, dust or metal powders.

About the Document

Revision History

Revision	Date	Author	Description
-	2021-12-22	Frank PENG/ Six ZHANG	Creation of the document
1.0.0	2021-12-22	Frank PENG/ Six ZHANG	Preliminary
1.0.1	2022-01-21	Frank PENG/ Six ZHANG	Preliminary: <ol style="list-style-type: none"> Updated the dimensions (Table 2). Added n38 HPUE for Class 2 transmitting power; Changed the Max. transmission data rates of NSA and SA TDD in 5G NR features (Table 4). Updated the functional diagram (Figure 2). Added the note about optional ANT4 and ANT5 for pin assignment (Chapter 2.4). Changed pin 135 from RESERVED to HST_LAA_TX_EN (Figure 2 & Table 6). Simplified DC characteristics and added Digital I/O Characteristic chapter (Table 6 & Chapter 6.4). Updated Power-up, Power-down and Reset Timing (Figure 13 & 14 & 17). Updated the pull-up resistor value of USB_BOOT interface from 4.7 kΩ to 10 kΩ (Figure 19). Added UART interfaces description (Chapter 4.7).

Contents

Safety Information	3
About the Document	4
Contents	5
Table Index	8
Figure Index	10
1 Introduction	12
1.1. Special Marks.....	12
2 Product Overview	13
2.1. Frequency Bands and Functions.....	14
2.2. Key Features.....	14
2.3. Functional Diagram.....	18
2.4. Pin Assignment.....	19
2.5. Pin Description.....	20
2.6. EVB.....	31
3 Operating Characteristics	32
3.1. Operating Modes.....	32
3.2. Sleep Mode.....	33
3.2.1. UART Application Scenario.....	33
3.2.2. USB Application Scenario.....	34
3.2.2.1. USB Application with USB Remote Wakeup Function.....	34
3.2.2.2. USB Application with USB Suspend/Resume and MAIN_RI Function.....	34
3.2.2.3. USB Application without USB Suspend Function.....	35
3.3. Airplane Mode.....	36
3.3.1. Hardware.....	36
3.3.2. Software.....	36
3.4. Power Supply.....	37
3.4.1. Power Supply Pins.....	37
3.4.2. Reference Design for Power Supply.....	38
3.4.3. Power Supply.....	38
3.4.4. Voltage Stability Requirements.....	39
3.5. Turn On.....	41
3.5.1. Turn on the Module with PWRKEY.....	41
3.6. Turn Off.....	43
3.6.1. Turn off the Module with PWRKEY.....	43
3.6.2. Turn off the Module with AT Command.....	43
3.7. Reset.....	44
4 Application Interfaces	46
4.1. USB Interface.....	46
4.2. USB_BOOT Interface.....	48

4.3.	(U)SIM Interfaces	49
4.4.	I2C Interface*	51
4.5.	I2S Interface*	52
4.6.	PCM Interface*	53
4.7.	UART Interfaces	55
4.8.	SDIO Interface	58
4.9.	ADC Interface	60
4.10.	SPI Interface	61
4.11.	PCIe Interface	62
4.12.	Control Signal	65
4.12.1.	W_DISABLE#	65
4.13.	Indication Signal	66
4.13.1.	Network Status Indication	66
4.13.2.	STATUS	67
4.14.	IPQ Status and Err Fatal Interface*	68
4.15.	MAIN_RI*	69
4.16.	Time Service and Repeater Interface*	70
4.17.	GRFC Interfaces*	70
5	RF Specifications	72
5.1.	Cellular Network	72
5.1.1.	Antenna Interface & Frequency Bands	72
5.1.2.	Tx Power	76
5.1.3.	Rx Sensitivity	76
5.1.4.	Reference Design	80
5.2.	GNSS	81
5.2.1.	Antenna Interface & Frequency Bands	81
5.2.2.	GNSS Performance	82
5.2.3.	Reference Design	83
5.3.	Reference Design of RF Routing	83
5.4.	Antenna Requirements	86
5.5.	RF Connector Recommendation	87
5.5.1.	Recommended RF Connector for Installation	88
5.5.1.1.	Assemble Coaxial Cable Plug Manually	88
5.5.1.2.	Assemble Coaxial Cable Plug with Fixture	89
5.5.2.	Recommended Manufacturers of RF Connector and Cable	90
6	Electrical Characteristics & Reliability	91
6.1.	Absolute Maximum Ratings	91
6.2.	Power Supply Ratings	92
6.3.	Power Consumption	92
6.4.	Digital I/O Characteristic	93
6.5.	ESD Protection	94
6.6.	Operating and Storage Temperatures	95
6.7.	Thermal Consideration	95

7	Mechanical Information	97
7.1.	Mechanical Dimensions	97
7.2.	Recommended Footprint.....	99
7.3.	Top and Bottom Views.....	100
8	Storage, Manufacturing & Packaging	101
8.1.	Storage Conditions	101
8.2.	Manufacturing and Soldering	102
8.3.	Packaging Specifications	103
8.3.1.	Carrier Tape.....	103
8.3.2.	Plastic Reel	104
8.3.3.	Packaging Process	105
9	Appendix A References	106
10	Appendix B Operating Frequency	111

Table Index

Table 1: Special Marks	12
Table 2: Brief Introduction of the Module	13
Table 3: Wireless Network Type	14
Table 4: Key Features	14
Table 5: I/O Parameters Definition	20
Table 6: Pin Description	20
Table 7: Overview of Operating Modes	32
Table 8: Pin Definition of Power Supply	37
Table 9: Pin Definition of PWRKEY	41
Table 10: Pin Definition of RESET	44
Table 11: Functions of the USB Interface	46
Table 12: Pin Definition of USB Interface	46
Table 13: USB Trace Length in the Module	48
Table 14: Pin Definition of (U)SIM Interfaces	49
Table 15: Pin Definition of I2C Interface	52
Table 16: Pin Definition of I2S Interface	52
Table 17: Pin Definition of PCM Interface	53
Table 18: Pin Definition of UART Interfaces	56
Table 19: Pin Definition of SD Card Interface	58
Table 20: SDC Trace Length in the Module	60
Table 21: Pin Definition of ADC Interface	61
Table 22: Characteristics of ADC Interface	61
Table 23: Pin Definition of SPI Interface	61
Table 24: Pin Definition of PCIe Interface	62
Table 25: PCIe Trace Length in the Module	65
Table 26: Pin Definition of Control Signal	65
Table 27: RF Function Status	66
Table 28: Pin Definition of Indication Signal	66
Table 29: Working State of the Network Connection Status/Activity Indication	67
Table 30: Pin Definition of IPQ Status and Err Fatal Interface	68
Table 31: Behaviors of the RI	69
Table 32: Pin Definition of Time Service and Repeater Function	70
Table 33: Pin Definition of GRFC Interfaces	71
Table 34: Logic Levels of GRFC Interfaces	71
Table 35: Truth Table of GRFC Interfaces	71
Table 36: Pin Definition of Cellular Network Interface for RG520F-NA*/RG520N-NA	72
Table 37: Pin Definition of Cellular Network Interface for RG520F-EU*/RG520N-EU	73
Table 38: Cellular Network Antenna Mapping for RG520F-NA*/RG520N-NA	74
Table 39: Cellular Network Antenna Mapping for RG520F-EU*/RG520N-EU	75
Table 40: Tx Power	76
Table 41: Conducted RF Receiving Sensitivity of RG520F-NA*/RG520N-NA	76

Table 42: Conducted RF Receiving Sensitivity of RG520F-EU*/RG520N-EU	78
Table 43: Pin Definition of GNSS Antenna Interface	81
Table 44: GNSS Frequency	81
Table 45: GNSS Performance.....	82
Table 46: Antenna Requirements.....	86
Table 47: Absolute Maximum Ratings.....	91
Table 48: Module Power Supply Ratings	92
Table 49: Averaged Power Consumption for the Module	92
Table 50: 1.8 V I/O Requirements.....	93
Table 51: (U)SIM 1.8 V I/O Requirements	94
Table 52: (U)SIM 2.95 V I/O Requirements	94
Table 53: Electrostatics Discharge Characteristics (25 °C, 45 % Relative Humidity)	94
Table 54: Operating and Storage Temperatures.....	95
Table 55: Recommended Thermal Profile Parameters.....	103
Table 56: Carrier Tape Dimension Table (Unit: mm).....	104
Table 57: Plastic Reel Dimension Table (Unit: mm).....	104
Table 58: Related Documents	106
Table 59: Terms and Abbreviations	106
Table 60: Operating Frequencies (5G).....	111
Table 61: Operating Frequencies (2G + 3G + 4G).....	113

Figure Index

Figure 1: Functional Diagram.....	18
Figure 2: Pin Assignment (Top View).....	19
Figure 3: DRX Run Time and Current Consumption in Sleep Mode.....	33
Figure 4: Sleep Mode Application via UART.....	33
Figure 5: Sleep Mode Application with USB Remote Wakeup.....	34
Figure 6: Sleep Mode Application with RI.....	35
Figure 7: Sleep Mode Application without Suspend Function.....	36
Figure 8: Reference Design of Power Supply.....	38
Figure 9: Power Supply Limits during Burst Transmission.....	39
Figure 10: Star Structure of the Power Supply.....	40
Figure 11: Reference Circuit of Turning on the Module with Driving Circuit.....	41
Figure 12: Reference Circuit of Turning on the Module with a Button.....	42
Figure 13: Power-up Timing.....	42
Figure 14: Power-down Timing.....	43
Figure 15: Reference Circuit of RESET_N with Driving Circuit.....	44
Figure 16: Reference Circuit of RESET_N with Button.....	45
Figure 17: Reset Timing.....	45
Figure 18: Reference Circuit of USB Application.....	47
Figure 19: Reference Circuit of USB_BOOT Interface.....	49
Figure 20: Reference Circuit of (U)SIM Interface with an 8-Pin (U)SIM Card Connector.....	50
Figure 21: Reference Circuit of a 6-Pin (U)SIM Card Connector.....	51
Figure 22: Reference Circuit of I2S Application with Audio Codec.....	53
Figure 23: Primary Mode Timing.....	54
Figure 24: Auxiliary Mode Timing.....	54
Figure 25: Reference Circuit of PCM Interface.....	55
Figure 26: UART Interface Connection.....	57
Figure 27: Reference Circuit with Translator Chip.....	57
Figure 28: Reference Circuit with Transistor Circuit.....	58
Figure 29: Reference Circuit of SD Card Interface.....	59
Figure 30: Reference Circuit of SPI Interface with a Level Translator.....	62
Figure 31: PCIe Interface Connection.....	64
Figure 32: Reference Circuit of the Network Status Indication.....	67
Figure 33: Reference Circuits of STATUS.....	68
Figure 34: Module with IPQ GPIO Application.....	69
Figure 35: Reference Circuit for RF Antenna Interfaces.....	80
Figure 36: Reference Circuit of GNSS Antenna.....	83
Figure 37: Microstrip Design on a 2-layer PCB.....	84
Figure 38: Coplanar Waveguide Design on a 2-layer PCB.....	84
Figure 39: Coplanar Waveguide Design on a 4-layer PCB (Layer 3 as Reference Ground).....	84
Figure 40: Coplanar Waveguide Design on a 4-layer PCB (Layer 4 as Reference Ground).....	85
Figure 41: Dimensions of the Receptacles (Unit: mm).....	87

Figure 42: Specifications of Mating Plugs Using Ø0.81 mm Coaxial Cables (Unit: mm).....	88
Figure 43: Plug in a Coaxial Cable Plug	89
Figure 44: Pull out a Coaxial Cable Plug	89
Figure 45: Install the Coaxial Cable Plug with Fixture	90
Figure 46: Heatsink Placement.....	96
Figure 47: Heatsink Fixing	96
Figure 48: Module Top and Side Dimensions (Unit: mm).....	97
Figure 49: Module Bottom Dimensions (Bottom View, Unit: mm)	98
Figure 50: Recommended Footprint	99
Figure 51: Top & Bottom Views of RG520N Series	100
Figure 52: Top & Bottom Views of RG520F Series.....	100
Figure 53: Recommended Reflow Soldering Thermal Profile	102
Figure 54: Carrier Tape Dimension Drawing.....	104
Figure 55: Plastic Reel Dimension Drawing	104
Figure 56: Packaging Process	105

1 Introduction

This document defines RG520F and RG520N series modules and describes their air interfaces and hardware interfaces which relate to customers' applications.

It can help customers quickly understand interface specifications, electrical and mechanical details, as well as other related information of the module. Associated with application notes and user guides, customers can use this module to design and to set up mobile applications easily.

1.1. Special Marks

Table 1: Special Marks

Mark	Definition
*	Unless otherwise specified, when an asterisk (*) is used after a function, feature, interface, pin name, AT command, or argument, it indicates that the function, feature, interface, pin, AT command, or argument is under development and currently not supported; and the asterisk (*) after a model indicates that the sample of such model is currently unavailable.
[...]	Brackets ([...]) used after a pin enclosing a range of numbers indicate all pins of the same type. For example, SDIO_DATA[0:3] refers to all four SDIO pins: SDIO_DATA0, SDIO_DATA1, SDIO_DATA2, and SDIO_DATA3.

2 Product Overview

RG520F and RG520N series are 5G NR/LTE-FDD/LTE-TDD/WCDMA ¹ wireless communication modules, which provides data connectivity on 5G NR SA and NSA, LTE-FDD, LTE-TDD, DC-HSDPA, HSPA+, HSDPA, HSUPA, and WCDMA networks. It also provides GNSS to meet your specific application demands.

RG520F and RG520N series are industrial-grade modules for industrial and commercial applications only.

The following tables show the brief introduction and supported frequency bands of the module. For CA and EN-DC configurations, refer to **document [1], [2], [3] and [4]**.

Table 2: Brief Introduction of the Module

Categories	
Packaging and pin counts	LGA: 392
Dimensions	(44.0 ±0.2) mm × (41.0 ±0.2) mm × (2.75 ±0.2) mm
Weight	Approx. 11 g
Wireless network functions	5G NR/LTE/WCDMA ¹
Variants	RG520F-NA*, RG520F-EU*, RG520N-NA, RG520N-EU

¹ WCDMA is only supported by RG520F-EU* and RG520N-EU.

2.1. Frequency Bands and Functions

Table 3: Wireless Network Type

Wireless Network Type	RG520F-NA* RG520N-NA	RG520F-EU* RG520N-EU
5G NR	n2/n5/n7/n12/n13/n14/n25/n26/n29/n30/ n38/n41/n48/n66/n70/n71/n77/n78	n1/n3/n5/n7/n8/n20/n28/n38/n40/n41/ n75/n76/n77/n78
LTE-FDD	B2/B4/B5/B7/B12/B13/B14/B17/B25/B26/ B29/B30/B66/B71	B1/B3/B5/B7/B8/B20/B28/B32
LTE-TDD	B38/B41/B42/B43/B46 (LAA) /B48	B38/B40/B41/B42/B43
WCDMA	-	B1/B5/B8
GNSS	GPS/GLONASS/BDS/Galileo/QZSS	GPS/GLONASS/BDS/Galileo/QZSS

2.2. Key Features

Table 4: Key Features

Features	Details
Power Supply	<ul style="list-style-type: none"> ● Supply voltage: 3.3–4.4 V ● Typical supply voltage: 3.8 V
SMS	<ul style="list-style-type: none"> ● Text and PDU mode ● Point-to-point MO and MT ● SMS cell broadcast ● SMS storage: ME by default
(U)SIM Interfaces	Supports USIM/SIM card: 1.8 V, 2.95 V
Audio Features*	<ul style="list-style-type: none"> ● Supports two digital audio interfaces: PCM and I2S ● WCDMA: AMR/AMR-WB ● LTE: AMR/AMR-WB ● Supports echo cancellation and noise suppression
PCM Interface*	<ul style="list-style-type: none"> ● Supports 16-bit linear data format ● Supports long frame synchronization and short frame synchronization ● Supports master and slave modes, but must be in master mode for long frame synchronization
SPI Interface	<ul style="list-style-type: none"> ● Provides a duplex, synchronous and serial communication link with the peripheral devices

	<ul style="list-style-type: none"> ● One SPI interface, only supports master mode ● 1.8 V operation voltage with clock rates up to 50 MHz
I2C Interface*	<ul style="list-style-type: none"> ● One I2C interface ● Comply with <i>I2C Specification, Version 3.0</i> ● Multi-master mode is not supported
I2S Interface*	<ul style="list-style-type: none"> ● Supports 16-bit linear data format ● I2S is a common 4-wire DAI (MCLK is not used in the design normally) used in Hi-Fi, STB and portable devices ● The Tx and Rx lines are used for audio transmission, whilst the bit clock and left/right clock synchronize the link ● I2S in either controller or codec state is able to drive (master) the bit clock and left/right clock lines ● Can be multiplexed into PCM function
USB Interface	<ul style="list-style-type: none"> ● Compliant with USB 3.1 and 2.0 specifications, with transmission rates up to 10 Gbps on USB 3.1 and 480 Mbps on USB 2.0 ● Used for AT command communication, data transmission, GNSS NMEA sentence output, software debugging and firmware upgrade ● USB Serial Driver: supports USB serial driver for Windows 7/8/8.1/10, Linux 2.6–5.14, Android 4.x–11.x systems
SDIO Interface	Supports <i>SD 3.0 protocol</i>
UART Interfaces	<p>Main UART:</p> <ul style="list-style-type: none"> ● Used for AT command communication ● Baud rate: 115200 bps by default <p>Debug UART:</p> <ul style="list-style-type: none"> ● Used for Linux console and log output ● Baud rate: 115200 bps <p>Bluetooth UART*:</p> <ul style="list-style-type: none"> ● Used for Bluetooth communication ● Baud rate: 115200 bps ● Supports RTS and CTS hardware flow control <p>COEX UART*:</p> <ul style="list-style-type: none"> ● Used for WWAN/WLAN coexistence mechanism only for Qualcomm platform
PCIe Interface	<ul style="list-style-type: none"> ● Compliant with PCIe Gen 3, supports two lanes, 8 Gbps per lane ● Compliant with PCIe Gen 4, supports one lane, 16 Gbps per lane ● Supports RC (Root Complex) mode and EP (End Point) mode ● Can be used to connect an external Wi-Fi IC and used for Wi-Fi communication by default
eSIM*	A space was reserved for eSIM inside the module
Network Indication	NET_MODE and NET_STATUS to indicate network connectivity status
AT Commands	Compliant with <i>3GPP TS 27.007, 27.005</i> and Quectel enhanced AT commands

Rx-diversity	5G NR/LTE/WCDMA ¹
Antenna Interfaces	<ul style="list-style-type: none"> ● Cellular antenna interfaces: <ul style="list-style-type: none"> - RG520F-NA*/RG520N-NA: 4 cellular antenna interfaces - RG520F-EU*/RG520N-EU: 4 + 2 (optional) cellular antenna interfaces ● One GNSS antenna interface ● 50 Ω impedance
Transmitting Power	<ul style="list-style-type: none"> ● WCDMA ¹: Class 3 (24 dBm + 1/-3 dB) ● LTE-FDD: Class 3 (23 dBm ±2 dB) ● LTE-TDD: Class 3 (23 dBm ±2 dB) ● LTE B38/B41/B42 HPUE: Class 2 (26 dBm ±2 dB) ² ● 5G NR: Class 3 (23 dBm ±2 dB) ● 5G NR n38/n41/n77/n78 HPUE: Class 2 (26 dBm +2/-3 dB) ²
5G NR Features	<ul style="list-style-type: none"> ● Supports 3GPP Rel-16 ● Supports UL 256QAM and DL 256QAM modulations ● Supports DL 4 × 4 MIMO ³ <ul style="list-style-type: none"> - RG520F-NA*/RG520N-NA: n2/n5/n7/n12/n13/n14/n25/n26/n29/n30/n38/n41/n48/n66/n70/n71/n77/n78 - RG520F-EU*/RG520N-EU: n1/n3/n5/n7/n8/n20/n28/n38/n40/n41/n75/n76/n77/n78 ● Supports UL 2 × 2 MIMO ⁴ <ul style="list-style-type: none"> - RG520F-NA*/RG520N-NA: n38/n41/n77/n78 - RG520F-EU*/RG520N-EU: n38/n41/n77/n78 ● Supports SCS 15 kHz ⁵ and 30 kHz ⁵ ● Supports SA and NSA operation modes ⁶ ● Supports Option 3x, 3a, 3 and Option 2 ● Max. transmission data rates ⁷: NSA TDD: <ul style="list-style-type: none"> - RG520N-NA/RG520N-EU: Max. 3.2 Gbps (DL)/550 Mbps (UL) - RG520F-NA*/RG520F-EU*: Max. 4.0 Gbps (DL)/550 Mbps (UL) SA TDD: <ul style="list-style-type: none"> - RG520N-NA/RG520N-EU: Max. 2.4 Gbps (DL)/900 Mbps (UL) - RG520F-NA*/RG520F-EU*:

² HPUE only supports single carrier.

³ LB 4 × 4 MIMO is optional. Even if it is not required, to support LB + LB CA or EN-DC combinations, ANT0–ANT3 must support low bands.

⁴ UL 2 × 2 MIMO is only supported in 5G SA mode.

⁵ 5G NR FDD bands only support 15 kHz SCS, and NR TDD bands only support 30 kHz SCS.

⁶ See **document [1], [2], [3] and [4]** for bandwidth supported by each frequency band in the NSA and SA modes.

⁷ The maximum rates are theoretical and the actual values refer to the network configuration.

	Max. 4.0 Gbps (DL)/900 Mbps (UL)
LTE Features	<ul style="list-style-type: none"> ● Supports FDD and TDD ● Supports 1.4/3/5/10/15/20 MHz RF bandwidth ● Supports UL QPSK, 16QAM, 64QAM and 256QAM* modulations ● Supports DL QPSK, 16QAM, 64QAM and 256QAM modulations ● Supports DL 4 × 4 MIMO³ <ul style="list-style-type: none"> - RG520F-NA*/RG520N-NA: B2/B4/B5/B7/B12/B13/B14/B17/B25/B26/B29/B30/B38/B41/B42/B43/B48/B66/B71 - RG520F-EU*/RG520N-EU: B1/B3/B5/B7/B8/B20/B28/B32/B38/B40/B41/B42/B43 ● Max. transmission data rates⁷: <ul style="list-style-type: none"> - RG520N-NA: LTE: 1.6 Gbps (DL)/200 Mbps (UL) - RG520F-NA*: LTE: 2.0 Gbps (DL)/200 Mbps (UL) - RG520N-EU: LTE: 1.6 Gbps (DL)/200 Mbps (UL) - RG520F-EU*: LTE: 2.0 Gbps (DL)/200 Mbps (UL)
UMTS Features	<ul style="list-style-type: none"> ● Supports 3GPP R9 DC-HSDPA, HSPA+, HSDPA, HSUPA and WCDMA ● Supports QPSK, 16QAM, 64QAM modulations ● Max. transmission data rates⁷: <ul style="list-style-type: none"> - DC-HSDPA: 42 Mbps (DL) - DC-HSUPA: 5.76 Mbps (UL) - WCDMA: 384 kbps (DL)/384 kbps (UL)
Internet Protocol Features	<ul style="list-style-type: none"> ● Supports NITZ, PING, QMI protocols ● Support PAP and CHAP for PPP connections
GNSS Features	<ul style="list-style-type: none"> ● Support Dual-band GNSS: L1 and L5 ● Supports GPS, GLONASS, BDS, Galileo, QZSS ● Protocol: <i>NMEA-0183</i> ● Data update rate: 1 Hz
Temperature Range	<ul style="list-style-type: none"> ● Operating temperature range⁸: -30 to +75 °C ● Extended temperature range⁹: -40 to +85 °C ● Storage temperature range: -40 to +90 °C
Firmware Upgrade	Use USB interface or FOTA to upgrade

⁸ To meet this operating temperature range, you need to ensure effective thermal dissipation, for example, by adding passive or active heatsinks, heat pipes, vapor chambers, etc. Within this range, the module can meet 3GPP specifications.

⁹ To meet this extended temperature range, you need to ensure effective thermal dissipation, for example, by adding passive or active heatsinks, heat pipes, vapor chambers, etc. Within this range, the module remains the ability to establish and maintain functions such as voice, SMS, etc., without any unrecoverable malfunction. Radio spectrum and radio network are not influenced, while one or more specifications, such as P_{out}, may undergo a reduction in value, exceeding the specified tolerances of 3GPP. When the temperature returns to the normal operating temperature level, the module will meet 3GPP specifications again.

2.3. Functional Diagram

The following figure shows a block diagram of the module and illustrates the major functional parts.

- Power management
- Baseband
- DDR + NAND flash
- Radio frequency
- Peripheral interface

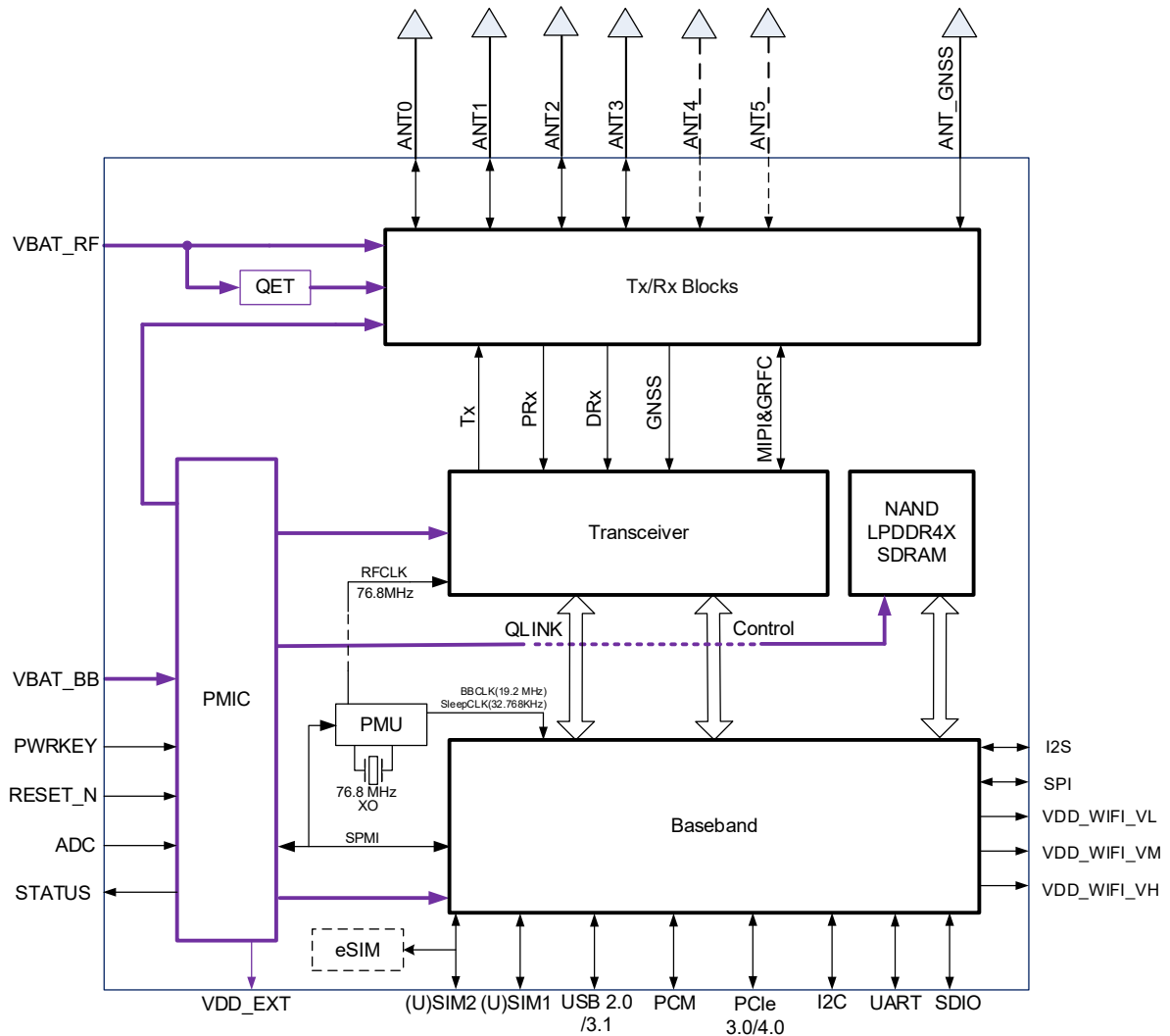


Figure 1: Functional Diagram

NOTE

1. RG520F-NA* and RG520N-NA have 5 antenna interfaces.
2. RG520F-EU* and RG520N-EU have 7 antenna interfaces. ANT4 and ANT5 are used for CA combinations related to 1A-32A or 3A-32A. If there is no need for these CA combinations, ANT4 and ANT5 can be removed.

2.4. Pin Assignment

The following figure illustrates the pin assignment of the module.

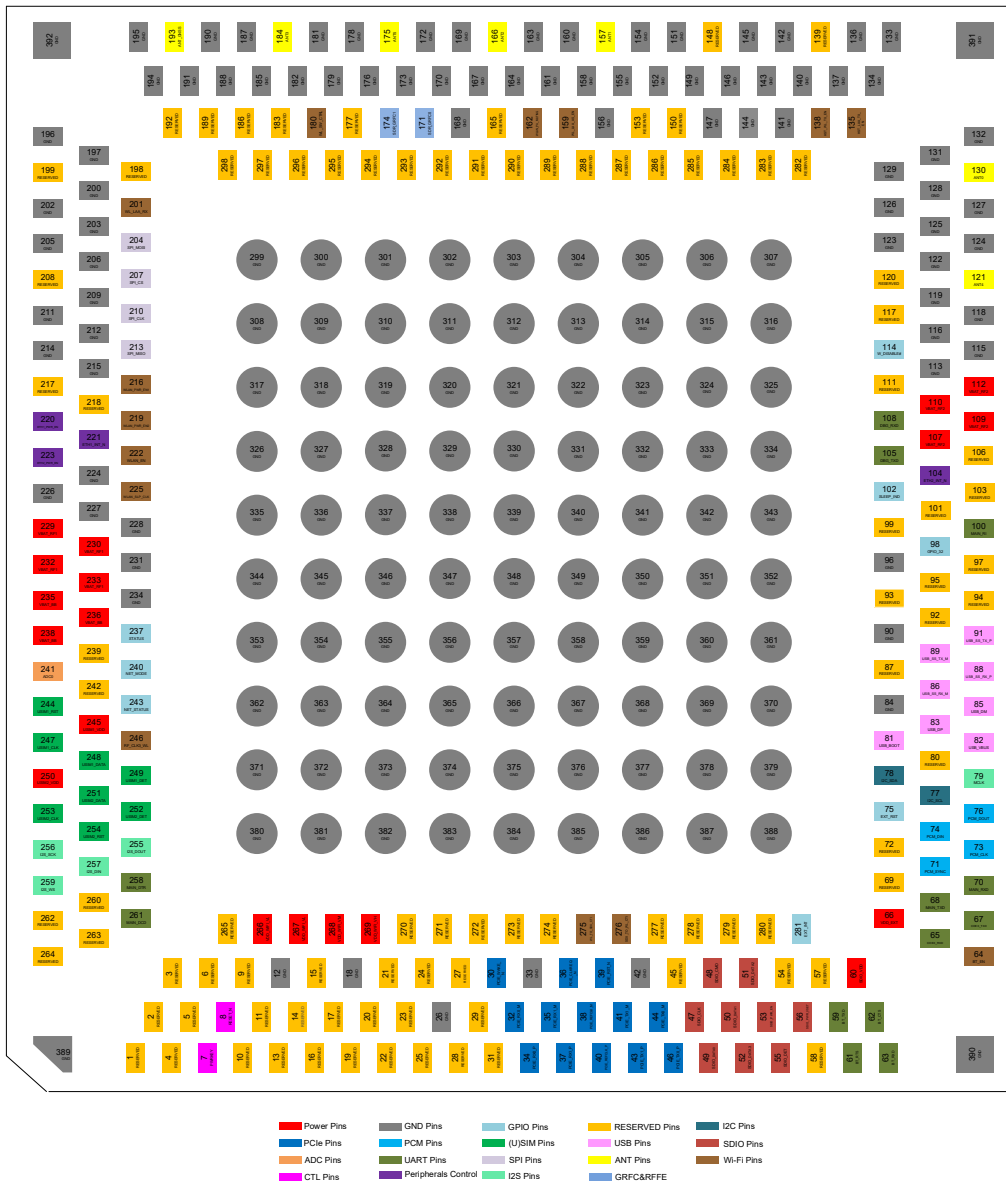


Figure 2: Pin Assignment (Top View)

NOTE

1. Keep all RESERVED or unused pins unconnected.
2. All GND pins should be connected to ground.
3. For RG520F-NA* and RG520N-NA, pins 121 and 175 are RESERVED. For RG520F-EU* and RG520N-EU, pins 121 and 175 are optional for ANT4 and ANT5 separately, which is related to CA configuration.

2.5. Pin Description

The following table shows the DC characteristics and pin descriptions.

Table 5: I/O Parameters Definition

Type	Description
AI	Analog Input
AO	Analog Output
AIO	Analog Input/Output
DI	Digital Input
DO	Digital Output
DIO	Digital Input/Output
OD	Open Drain
PI	Power Input
PO	Power Output

Table 6: Pin Description

Power Supply					
Pin Name	Pin No.	I/O	Description	DC Characteristics	Comment
VBAT_BB	235, 236, 238	PI	Power supply for the module's baseband part	Vmax = 4.4 V Vmin = 3.3 V Vnom = 3.8 V	

VBAT_RF1	229, 230, 232, 233	PI	Power supply for the module's RF part	Vmax = 4.4 V Vmin = 3.3 V Vnom = 3.8 V	
VBAT_RF2 ¹⁰	107, 109, 110, 112	PI	Power supply for the module's RF part	Vmax = 4.4 V Vmin = 3.3 V Vnom = 3.8 V	
VDD_WIFI_VL	266, 267	PO	Provides 0.95 V for Wi-Fi/Bluetooth modules	Vnom = 0.95 V I _o max = 1.7 A	
VDD_WIFI_VM	268	PO	Provides 1.28 V for Wi-Fi/Bluetooth modules	Vmax = 1.35 V Vnom = 1.28 V I _o max = 400 mA	Power supply for Wi-Fi/Bluetooth modules.
VDD_WIFI_VH	269	PO	Provides 1.88 V for Wi-Fi/Bluetooth modules	Vnom = 1.88 V I _o max = 400 mA	
VDD_EXT	66	PO	Provides 1.8 V for external circuits	Vnom = 1.8 V I _o max = 50 mA	Power supply for external GPIO's pull-up circuits.
GND	12, 18, 26, 33, 42, 84, 90, 96, 113, 115, 116, 118, 119, 122–129, 131–134, 136, 137, 140–147, 149, 151, 152, 154–156, 158, 160, 161, 163, 164, 167–170, 172, 173, 176, 178, 179, 181, 182, 185, 187, 188, 190, 191, 194–197, 200, 202, 203, 205, 206, 209, 211, 212, 214, 215, 224, 226, 227, 228, 231, 234, 299–392				

Turn on/off

Pin Name	Pin No.	I/O	Description	DC Characteristics	Comment
PWRKEY	7	DI	Turns on/off the module	1.8 V high level	Internally pulled up to 1.8 V.
RESET_N	8	DI	Resets the module	1.8 V	Internally pulled up to 1.8 V with a 40 kΩ resistor.

Status Indication

Pin Name	Pin No.	I/O	Description	DC Characteristics	Comment
STATUS	237	DO	Indicates the module's operation status	1.8 V	
NET_MODE	240	DO	Indicates whether the module has registered on 5G		

¹⁰ VBAT_RF2 should be connected to an external VBAT power supply while PC 1.5 (which is optional for customers) is designed; otherwise, it is only used to connect decoupling capacitors.

			network
NET_STATUS	243	DO	Indicates the module's network activity status
SLEEP_IND	102	DO	Indicates the module's sleep mode

USB Interface

Pin Name	Pin No.	I/O	Description	DC Characteristics	Comment
USB_VBUS	82	AI	USB connection detect	V _{max} = 5.25 V V _{min} = 3.3 V V _{nom} = 5.0 V	For USB connection detection only, not power supply.
USB_DP	83	AIO	USB differential data (+)		Requires differential impedance of 90 Ω. USB 2.0 compliant.
USB_DM	85	AIO	USB differential data (-)		
USB_SS_TX_P	91	AO	USB 3.1 super-speed transmit (+)		
USB_SS_TX_M	89	AO	USB 3.1 super-speed transmit (-)		
USB_SS_RX_P	88	AI	USB 3.1 super-speed receive (+)		Requires differential impedance of 85 Ω. USB 3.1 Gen2 compliant.
USB_SS_RX_M	86	AI	USB 3.1 super-speed receive (-)		

(U)SIM Interfaces

Pin Name	Pin No.	I/O	Description	DC Characteristics	Comment
USIM1_VDD	245	PO	(U)SIM1 card power supply	1.8/2.95 V	
USIM1_DATA	248	DIO	(U)SIM1 card data		
USIM1_CLK	247	DO	(U)SIM1 card clock	USIM1_VDD 1.8/2.95 V	
USIM1_RST	244	DO	(U)SIM1 card reset		

USIM1_DET	249	DI	(U)SIM1 card hot-plug detect	1.8 V	If unused, keep it open.
USIM2_VDD	250	PO	(U)SIM2 card power supply	1.8/2.95 V	
USIM2_DATA	251	DIO	(U)SIM2 card data		
USIM2_CLK	253	DO	(U)SIM2 card clock	USIM2_VDD 1.8/2.95 V	
USIM2_RST	254	DO	(U)SIM2 card reset		
USIM2_DET	252	DI	(U)SIM2 card hot-plug detect	1.8 V	If unused, keep it open.

Main UART Interface

Pin Name	Pin No.	I/O	Description	DC Characteristics	Comment
MAIN_TXD	68	DO	Main UART transmit		
MAIN_RXD	70	DI	Main UART receive		
MAIN_RI*	100	DO	Main UART ring indication	1.8 V	
MAIN_DTR	258	DI	Main UART data terminal ready		
MAIN_DCD*	261	DO	Main UART data carrier detect		

Bluetooth UART Interface*

Pin Name	Pin No.	I/O	Description	DC Characteristics	Comment
BT_TXD	59	DO	Bluetooth UART transmit		
BT_RXD	63	DI	Bluetooth UART receive		
BT_RTS	61	DI	DTE request to send signal to DCE	1.8 V	Connect to DTE's RTS.
BT_CTS	62	DO	DTE clear to send signal from DCE		Connect to DTE's CTS.

Debug UART Interface

Pin Name	Pin No.	I/O	Description	DC Characteristics	Comment
----------	---------	-----	-------------	--------------------	---------

DBG_RXD	108	DI	Debug UART receive	1.8 V	
DBG_TXD	105	DO	Debug UART transmit		
I2C Interface*					
Pin Name	Pin No.	I/O	Description	DC Characteristics	Comment
I2C_SCL	77	OD	I2C serial clock	1.8 V	Pull each of them up to VDD_EXT with an external 4.7 kΩ resistor. If unused, keep them open.
I2C_SDA	78	OD	I2C serial data		
I2S Interface*					
Pin Name	Pin No.	I/O	Description	DC Characteristics	Comment
I2S_WS	259	DIO	I2S word select	1.8 V	In master mode, it is an output signal. In slave mode, it is an input signal. Can be multiplexed into PCM_SYNC.
I2S_SCK	256	DIO	I2S clock		In master mode, it is an output signal. In slave mode, it is an input signal. Can be multiplexed into PCM_CLK.
I2S_DIN	257	DI	I2S data in		Can be multiplexed into PCM_DIN.
I2S_DOUT	255	DO	I2S data out		Can be multiplexed into PCM_DOUT.
MCLK	79	DO	Clock output for codec		If unused, keep it open.
PCM Interface*					
Pin Name	Pin No.	I/O	Description	DC Characteristics	Comment
PCM_SYNC	71	DIO	PCM data frame sync	1.8 V	In master mode, it is an output signal.
PCM_CLK	73	DIO	PCM clock		In slave mode, it is an input signal.

PCM_DIN	74	DI	PCM data input		If unused, keep it open.
PCM_DOUT	76	DO	PCM data output		

PCIe Interface

Pin Name	Pin No.	I/O	Description	DC Characteristics	Comment	
PCIE_REFCLK_P	40	AIO	PCIe reference clock (+)			
PCIE_REFCLK_M	38	AIO	PCIe reference clock (-)			
PCIE_TX0_M	44	AO	PCIe transmit 0 (-)		Requires differential impedance of 85 Ω. One PCIe port is supported. It can be either Gen 3 2-lane or Gen 4 1-lane.	
PCIE_TX0_P	46	AO	PCIe transmit 0 (+)			
PCIE_TX1_M	41	AO	PCIe transmit 1 (-)			
PCIE_TX1_P	43	AO	PCIe transmit 1 (+)			
PCIE_RX0_M	32	AI	PCIe receive 0 (-)			
PCIE_RX0_P	34	AI	PCIe receive 0 (+)			
PCIE_RX1_M	35	AI	PCIe receive 1 (-)			
PCIE_RX1_P	37	AI	PCIe receive 1 (+)			
PCIE_CLKREQ_N	36	OD	PCIe clock request			In root complex mode, it is an input signal. In endpoint mode, it is an output signal.
PCIE_RST_N	39	DIO	PCIe reset	1.8 V		In root complex mode, it is an output signal. In endpoint mode, it is an input signal.
PCIE_WAKE_N	30	OD	PCIe wake up		In root complex mode, it is an input signal. In endpoint mode, it is an output signal.	

WWAN/WLAN Application Interface*

Pin Name	Pin No.	I/O	Description	DC	Comment
----------	---------	-----	-------------	----	---------

				Characteristics
COEX_RXD	65	DI	Coexistence UART receive	<p>Only for Qualcomm platform. Signal interface used for WWAN/WLAN coexistence mechanism. Pin 65 can be multiplexed into SDX2AP_E911 function. Pin 67 can be multiplexed into SDX2AP_STATUS function. For details, please contact Quectel Technical Supports.</p>
COEX_TXD	67	DO	Coexistence UART transmit	
				1.8 V
HST_LAA_TX_EN	135	DO	Notifies LAA/n79 transmission from SDR transceiver to WLAN	<p>This pin is used for the coexistence of n79 and Wi-Fi 5G. If n79 is needed in customer future project with Quectel modules, then this pin shall be pulled out and reserved; otherwise, the pin can be NC.</p>
HST_WL_TX_EN	138	DI	Notifies WLAN transmission from WLAN to SDR transceiver	
WLAN_PWR_EN1	216	DO	Controls WLAN PA power	
WLAN_PWR_EN2	219	DO	Controls WLAN other power	
BT_EN	64	DO	Bluetooth enable	
WLAN_EN	222	DO	WLAN enable	

WL_SW_CTRL	180	DI	76.8 MHz system clock request		
WLAN_SLP_CLK	225	AO	32.768 kHz sleep clock output		
RF_CLK3_WL	246	AO	76.8 MHz system clock output	Vmax = 1.08 V Vnom = 1.05 V Vmin = 1.02 V	
SDX_TO_WL_CTI	276	DO	-		Not used by default. Keep it open.
WLAN_PA_MUTING	162	DO	GPIO from SDX to disable WLAN PA		
WL_LAA_AS_EN	159	DO	GPIO to allow WWAN to power on WLAN 0.8 V AON domain, when WLAN is sleeping or disabled. Additionally, the control logic in WLAN AON domain allows SDR to control 5G WLAN xLNA (LNA in FEMs)	1.8 V	
WL_LAA_RX	201	DO	SoC signal to set 5G xLNA to high gains or high isolation when both chains (LAA and 5G WLAN) are active simultaneously. No individual control for each chain		
WL_TO_SDX_CTI	275	DI	-		Not used by default. Keep it open.

SDIO Interface

Pin Name	Pin No.	I/O	Description	DC Characteristics	Comment
----------	---------	-----	-------------	--------------------	---------

SDIO_VDD	60	PI	SDIO power supply		1.8/2.85 V configurable input. If unused, connect it to VDD_EXT.
SDIO_DATA0	49	DIO	SDIO data bit 0		
SDIO_DATA1	50	DIO	SDIO data bit 1		
SDIO_DATA2	51	DIO	SDIO data bit 2	The power domain of SD I/O pins depends on SDIO_VDD.	If unused, keep them open.
SDIO_DATA3	52	DIO	SDIO data bit 3		
SDIO_CMD	48	DIO	SDIO command		
SDIO_CLK	47	DO	SDIO clock		
SDIO_PWR_EN	53	DO	SDIO power supply enable		
SDIO_PWR_VSET	56	DO	SDIO power domain set		
				1.8 V	
SDIO_DET	55	DI	SD hot-plug detect		Pull it up to VDD_EXT with a 470 kΩ resistor. If unused, keep it open.

Antenna Interfaces for RG520F-NA*/RG520N-NA

Pin Name	Pin No.	I/O	Description	Comment
ANT0	130	AIO	Antenna 0 interface: - 5G NR: n41 TRX1 & n77/n78 TRX0 - LTE: LMB_TRX0 & HB_TRX1 & UHB_TRX0	
ANT1	157	AIO	Antenna 1 interface: - 5G NR: n41 DRX MIMO & n77/n78 DRX MIMO - LTE: LMB_PRX MIMO & HB_DRX MIMO & UHB_DRX MIMO & LAA_PRX	50 Ω impedance.
ANT2	166	AIO	Antenna 2 interface: - 5G NR: n41 PRX MIMO & n77/n78 PRX MIMO - LTE: LMB_DRX MIMO & HB_PRX MIMO & UHB_PRX MIMO & LAA_DRX	

ANT3	184	AIO	Antenna 3 interface: <ul style="list-style-type: none"> - 5G NR: n41 TRX0 & n77/n78 TRX1 - LTE: LMB_TRX1 & HB_TRX0 & UHB_TRX1 		
ANT_GNSS	193	AI	GNSS antenna interface: <ul style="list-style-type: none"> - L1/L5 		
Antenna Interfaces for RG520F-EU*/RG520N-EU					
Pin Name	Pin No.	I/O	Description		Comment
ANT0	130	AIO	Antenna 0 interface: <ul style="list-style-type: none"> - 5G NR: n41 TRX1 & n77/n78 TRX0 - LTE: LMB_TRX0 & HB_TRX1 & UHB_TRX0 - WCDMA: LMB_TRX 		
ANT1	157	AIO	Antenna 1 interface: <ul style="list-style-type: none"> - 5G NR: n41 DRX MIMO & n77/n78 DRX MIMO - LTE: LMB_PRX MIMO & HB_DRX MIMO & UHB_DRX MIMO 		
ANT2	166	AIO	Antenna 2 interface: <ul style="list-style-type: none"> - 5G NR: n41 PRX MIMO & n77/n78 PRX MIMO - LTE: LMB_DRX MIMO & HB_PRX MIMO & UHB_PRX MIMO 		50 Ω impedance.
ANT3	184	AIO	Antenna 3 interface: <ul style="list-style-type: none"> - 5G NR: n41 TRX0 & n77/n78 TRX1 - LTE: LMB_TRX1 & HB_TRX0 & UHB_TRX1 - WCDMA: LMB_DRX 		
ANT4	121	AI	Antenna 4 interface: <ul style="list-style-type: none"> - LTE: B32_PRX (optional) 		
ANT5	175	AI	Antenna 5 interface: <ul style="list-style-type: none"> - LTE: B32_DRX (optional) 		
ANT_GNSS	193	AI	GNSS antenna interface: <ul style="list-style-type: none"> - L1/L5 		
Antenna Tuner Control Interface*					
Pin Name	Pin No.	I/O	Description	DC Characteristics	Comment
SDR_GRFC0	171	DO	GRFC interface dedicated for external antenna tuner control	1.8 V	If unused, keep them open.
SDR_GRFC1	174	DO			

SPI Interface					
Pin Name	Pin No.	I/O	Description	DC Characteristics	Comment
SPI_CLK	210	DO	SPI clock	1.8 V	Only master mode is supported.
SPI_CS	207	DO	SPI chip select		
SPI_MISO	213	DI	SPI master-in slave-out		
SPI_MOSI	204	DO	SPI master-out slave-in		
ADC Interface					
Pin Name	Pin No.	I/O	Description	DC Characteristics	Comment
ADC0	241	AI	General-purpose ADC interface	Voltage range: 0–1.875 V	
Time Service and Repeater Interface*					
Pin Name	Pin No.	I/O	Description	DC Characteristics	Comment
GPIO_32	98	DO	Supports time service and repeater functions; supports 1PPS pulse output and frame synchronization	1.8 V	Can be multiplexed into AP2SDX_STATUS function. For details, please contact Quectel Technical Supports.
Other Interface Pins					
Pin Name	Pin No.	I/O	Description	DC Characteristics	Comment
USB_BOOT	81	DI	Forces the module to enter emergency download mode	1.8 V	These pins are the
EXT_RST	75	DO	External audio reset		
EXT_INT	281	DI	External audio interrupt		
W_DISABLE#	114	DI	Airplane mode control		
ETH1_PWR_EN*	220	DO	Ethernet PHY 1		

			power enable	control pins of PHY chip recommended by the platform.
ETH2_PWR_EN*	223	DO	Ethernet PHY 2 power enable	
ETH1_INT_N*	221	DI	Interrupts input from Ethernet PHY 1	
ETH2_INT_N*	104	DI	Interrupts input from Ethernet PHY 2	

RESERVED Pins

Pin Name	Pin No.	Comment
RESERVED	1–6, 9, 10, 11, 13, 14, 15, 16, 17, 19, 20, 21, 22, 23, 24, 25, 27, 28, 29, 31, 45, 54, 57, 58, 69, 72, 80, 87, 92–95, 97, 99, 101, 103, 106, 111, 117, 120, 139, 148, 150, 153, 165, 177, 183, 186, 189, 192, 198, 199, 208, 217, 218, 239, 242, 260, 262–265, 270, 271–273, 274, 277–280, 282–298	Keep these pins unconnected.

NOTE

1. RG520F-NA* and RG520N-NA: 4 antenna interfaces + 1 GNSS antenna interface (ANT0/1/2/3 + ANT_GNSS).
2. RG520F-EU* and RG520N-EU: 4 + 2 (optional) cellular antenna interfaces + 1 GNSS antenna interface (ANT0/1/2/3 + ANT4/5 (optional) + ANT_GNSS).

2.6. EVB

In order to help customers to develop applications with the module conveniently, Quectel supplies an evaluation board (5G EVB), USB data cable, earphone, antenna, and other peripherals to control or to test the module. For more details, please refer to **document [5]**.

3 Operating Characteristics

3.1. Operating Modes

The table below outlines operating modes of the module.

Table 7: Overview of Operating Modes

Mode	Details	
Normal Operation	Idle	Software is active. The module is registered on the network and ready to send and receive data.
	Talk/Data	Network connection is ongoing. In this mode, the power consumption is decided by network setting and data transfer rate.
Minimum Functionality Mode	AT+CFUN=0 command can set the module to a minimum functionality mode. In this case, both RF function and (U)SIM card will be invalid.	
Airplane Mode	AT+CFUN=4 command or driving W_DISABLE# LOW will set the module to airplane mode. In this case, RF function will be invalid.	
Sleep Mode	In this mode, current consumption of the module will be reduced to the minimal level. In this mode, the module can still receive paging, SMS, voice call and TCP/UDP data from network.	
Power Down Mode	In this mode, the VBAT power supply is constantly turned on and the software stops working.	

NOTE

For more details about AT command, see *document [6]*.

3.2. Sleep Mode

DRX of the module is able to reduce the current consumption to a minimum value during sleep mode. The diagram below illustrates the relationship between the DRX run time and the current consumption of the module in this mode.

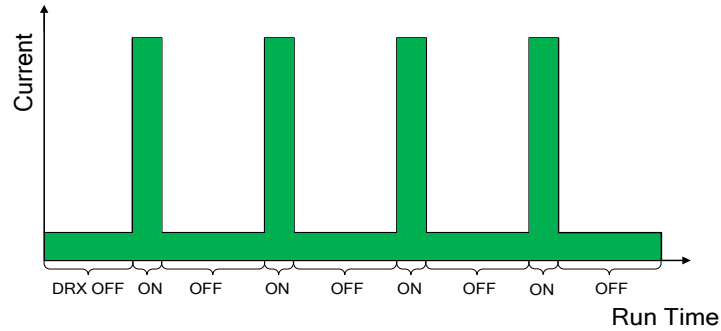


Figure 3: DRX Run Time and Current Consumption in Sleep Mode

3.2.1. UART Application Scenario

If the host communicates with the module via UART interface, the following two preconditions should be met to set the module enter sleep mode:

- Execute **AT+QSCLK=1** command to enable sleep mode.
- Drive MAIN_DTR high.

The figure illustrates the connection between the module and the host.

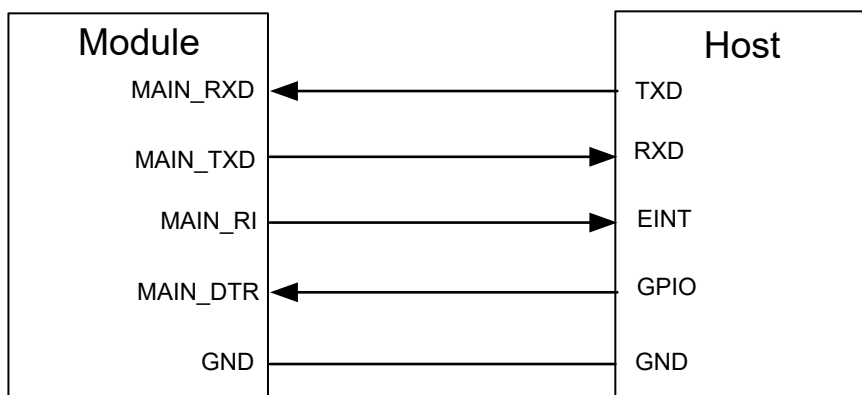


Figure 4: Sleep Mode Application via UART

- Driving MAIN_DTR low with the host will wake up the module.
- When the module has a URC to report, MAIN_RI signal will wake up the host. Please refer to **Chapter 4.15** for details about RI behavior.

3.2.2. USB Application Scenario

3.2.2.1.USB Application with USB Remote Wakeup Function

If the host supports USB suspend/resume and remote wakeup function, the following three preconditions can make the module enter the sleep mode.

- Execute **AT+QSCLK=1** to enable sleep mode.
- Ensure the MAIN_DTR is held at high level or keep it open.
- Ensure the host’s USB bus, which is connected with the module’s USB interface, enters suspend state.

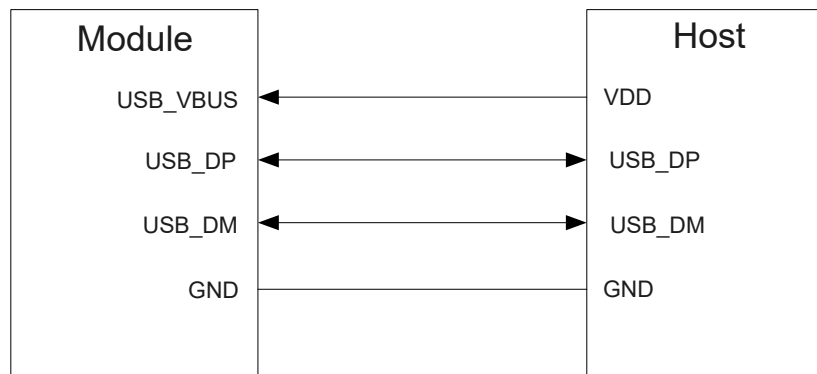


Figure 5: Sleep Mode Application with USB Remote Wakeup

- Sending data to the module through USB will wake up the module.
- When the module has a URC to report, the module will send remote wake-up signals to USB Bus to wake up the host.

3.2.2.2.USB Application with USB Suspend/Resume and MAIN_RI Function

If the host supports USB Suspend/Resume, but does not support remote wakeup function, the MAIN_RI signal is needed to wake up the host.

In this case, the following three preconditions can make the module enter the sleep mode.

- Execute **AT+QSCLK=1** command to enable sleep mode.
- Ensure MAIN_DTR is held at a high level or keep it open.
- The host's USB Bus, which is connected with the module's USB interface, enters suspend state.

The following figure illustrates the connection between the module and the host.

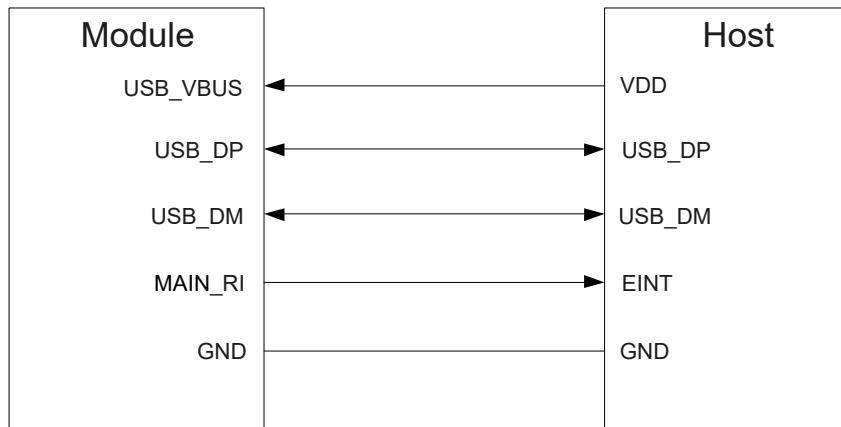


Figure 6: Sleep Mode Application with RI

- Sending data to the module through USB will wake up the module.
- When the module has a URC to report, the MAIN_RI signal will wake up the host.

3.2.2.3.USB Application without USB Suspend Function

If the host does not support USB suspend function, disconnect USB_VBUS with an external control circuit to make the module enter sleep mode.

- Execute **AT+QSCLK=1** command to enable sleep mode.
- Ensure the MAIN_DTR is held at a high level or keep it open.
- Disconnect USB_VBUS.

The figure illustrates the connection between the module and the host.

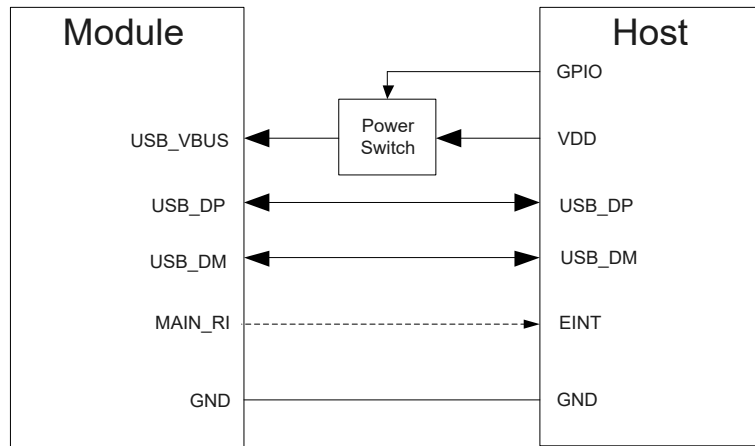


Figure 7: Sleep Mode Application without Suspend Function

Turn on the power switch and supply power to USB_VBUS will wake up the module.

NOTE

Please pay attention to the level match shown in dotted line between the module and the host.

3.3. Airplane Mode

When the module enters airplane mode, the RF function will be disabled, and all AT commands related to it will be inaccessible. This mode can be set via the following ways.

3.3.1. Hardware

The W_DISABLE# pin is pulled up by default. Its control function for airplane mode is disabled by default and **AT+QCFG= "airplanecontrol", 1** can be used to enable the function. Driving it low will set the module enter airplane mode.

3.3.2. Software

AT+CFUN=<fun> command provides choices of the functionality level through setting **<fun>** into **0, 1** or **4**.

- **AT+CFUN=0:** Minimum functionality (disable RF function and (U)SIM function).

- **AT+CFUN=1**: Full functionality (default).
- **AT+CFUN=4**: Airplane mode (disable RF function).

NOTE

The execution of **AT+CFUN** command will not affect GNSS function.

3.4. Power Supply

3.4.1. Power Supply Pins

The module provides 11 VBAT pins dedicated to the connection with the external power supply. There are three separate voltage domains for VBAT.

- Four VBAT_RF1 pins and four VBAT_RF2 pins for RF part.
- Three VBAT_BB pins for baseband part.

Table 8: Pin Definition of Power Supply

Pin Name	Pin No.	I/O	Description	Min.	Typ.	Max.	Unit
VBAT_BB	235, 236, 238	PI	Power supply for the module's baseband part	3.3	3.8	4.4	V
VBAT_RF1	229, 230, 232, 233	PI	Power supply for the module's RF part	3.3	3.8	4.4	V
VBAT_RF2 ¹¹	107, 109, 110, 112	PI	Power supply for the module's RF part	3.3	3.8	4.4	V
GND	12, 18, 26, 33, 42, 84, 90, 96, 113, 115, 116, 118, 119, 122–129, 131–134, 136, 137, 140–147, 149, 151, 152, 154–156, 158, 160, 161, 163, 164, 167–170, 172, 173, 176, 178, 179, 181, 182, 185, 187, 188, 190, 191, 194–197, 200, 202, 203, 205, 206, 209, 211, 212, 214, 215, 224, 226, 227, 228, 231, 234, 299–392			-	0	-	V

¹¹ VBAT_RF2 should be connected to an external VBAT power supply while PC 1.5 (which is optional for customers) is designed; otherwise, it is only used to connect decoupling capacitors.

3.4.2. Reference Design for Power Supply

The performance of the module largely depends on the power source. The power supply of the module should be able to provide sufficient current of 3 A at least. If the voltage drops between input and output is not too high, it is suggested that an LDO should be used to supply power to the module. If there is a big voltage difference between input and the desired output VBAT, a buck converter is preferred as the power supply.

The following figure shows a reference design for +5 V input power source. The designed output of the power supply is about 3.8 V and the maximum rated current is 3 A.

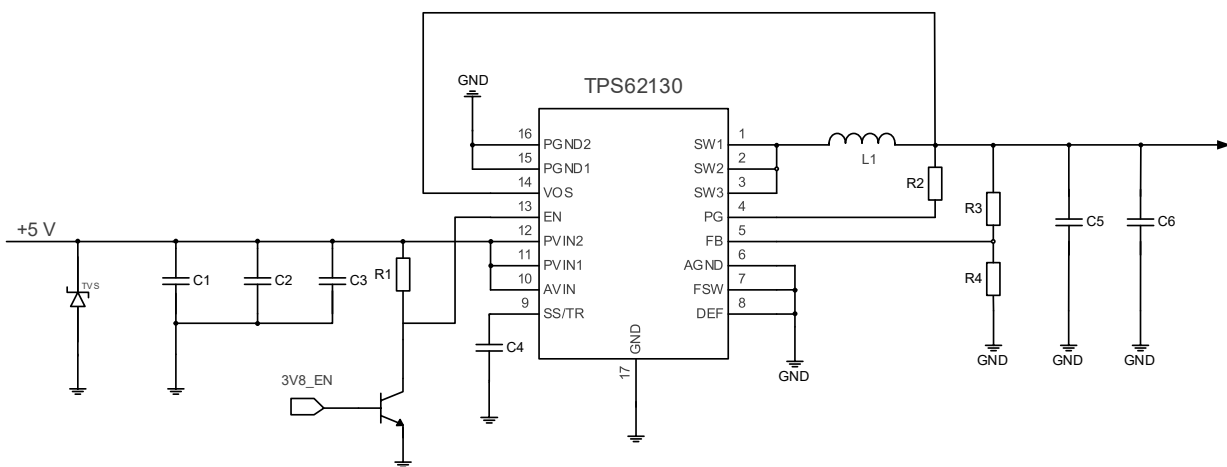


Figure 8: Reference Design of Power Supply

NOTE

To avoid damaging internal flash, do not switch off the power supply when the module works normally. Only after shutting down the module with PWRKEY or AT command can you cut off the power supply.

3.4.3. Power Supply

AT+CBC command can monitor the VBAT_BB voltage value. For more details, please refer to **document [6]**.

3.4.4. Voltage Stability Requirements

The power supply range of the module is from 3.3 V to 4.4 V. Please make sure the input voltage will never drop below 3.3 V.

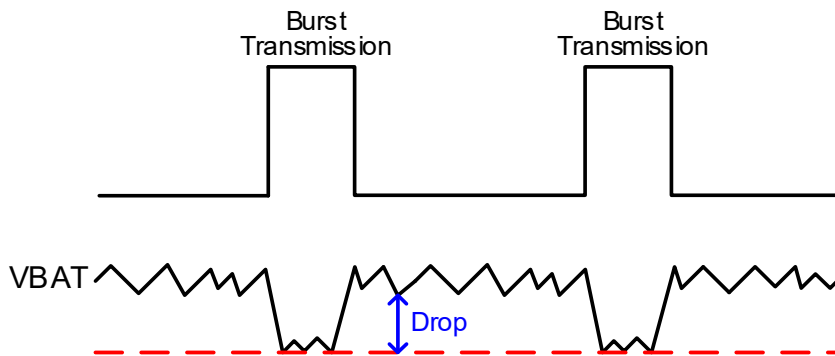


Figure 9: Power Supply Limits during Burst Transmission

To decrease voltage 's drop, a bypass capacitor of about 100 μF with low ESR should be used, and a same bypass capacitor of about 100 μF need to be reserved. On the other hand, a multi-layer ceramic chip (MLCC) capacitor array should also be reserved due to its ultra-low ESR. It is recommended to use 22 ceramic capacitors for composing the MLCC array, and place these capacitors close to VBAT pins. The main power supply from an external application must be a single voltage source and can be expanded to two sub paths with the star structure. The width of VBAT_BB trace should be no less than 1.2 mm. The width of VBAT_RF1 and VBAT_RF2 trace should be no less than 2 mm. In principle, the longer the VBAT trace is, the wider it will be.

In addition, in order to ensure the stability of the power supply, it is necessary to add a high-power TVS at the front end of the power supply. Reference circuit is shown as below:

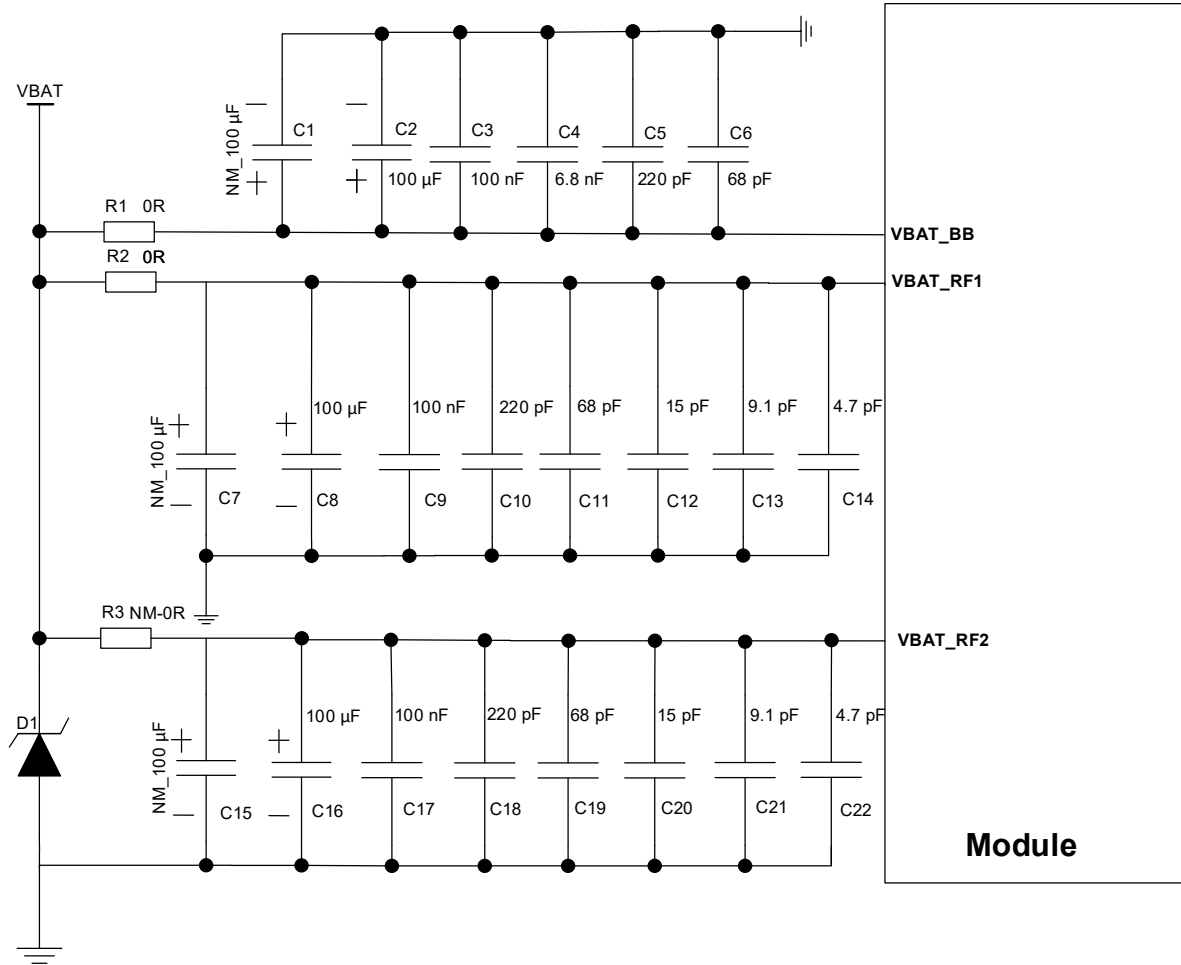


Figure 10: Star Structure of the Power Supply

NOTE

1. MLCC array for VBAT_BB includes 100 μF, 100 nF, 6.8 nF, 220 pF, 68 pF and a 100 μF is reserved.
2. MLCC array for VBAT_RF1 and VBAT_RF2 includes 100 μF, 100 nF, 220 pF, 68 pF, 15 pF, 9.1 pF, 4.7 pF and a 100 μF is reserved.
3. R3 needs to be reserved since VBAT_RF2 should be connected to an external VBAT power supply while PC 1.5 (which is optional for customers) is designed.

3.5. Turn On

3.5.1. Turn on the Module with PWRKEY

Table 9: Pin Definition of PWRKEY

Pin Name	Pin No.	I/O	Description	Comment
PWRKEY	7	DI	Turns on/off the module	Internally pulled up.

When the module is in power off mode, it can be turned on and enter normal operation mode by driving PWRKEY low for at least 500 ms. It is recommended to use an open drain/collector driver to control PWRKEY. After STATUS pin outputs a high level, PWRKEY can be released.

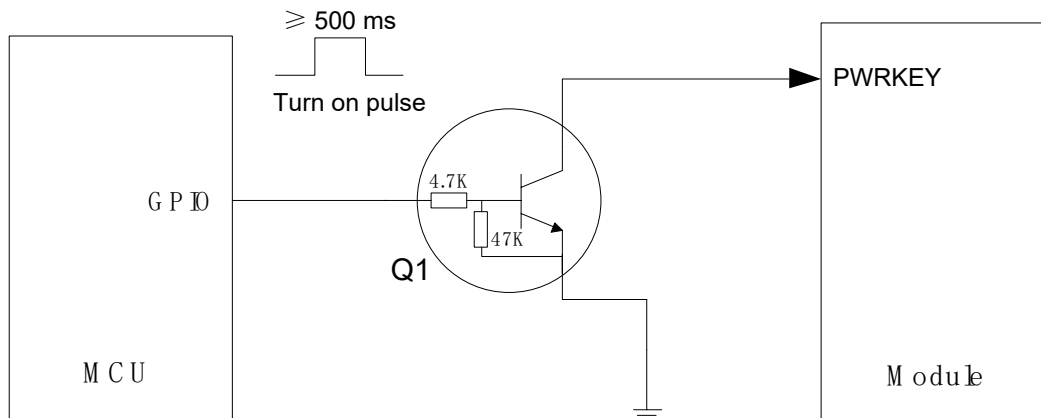


Figure 11: Reference Circuit of Turning on the Module with Driving Circuit

Another way to control the PWRKEY is by using a button directly. When pressing the button, an electrostatic strike may generate from finger. Therefore, a TVS component shall be placed near the button for ESD protection.

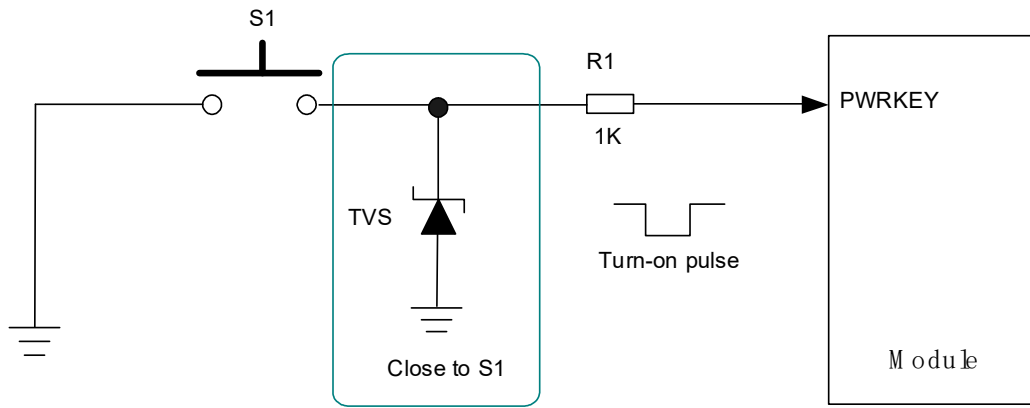


Figure 12: Reference Circuit of Turning on the Module with a Button

The turn on scenario is illustrated in the following figure.

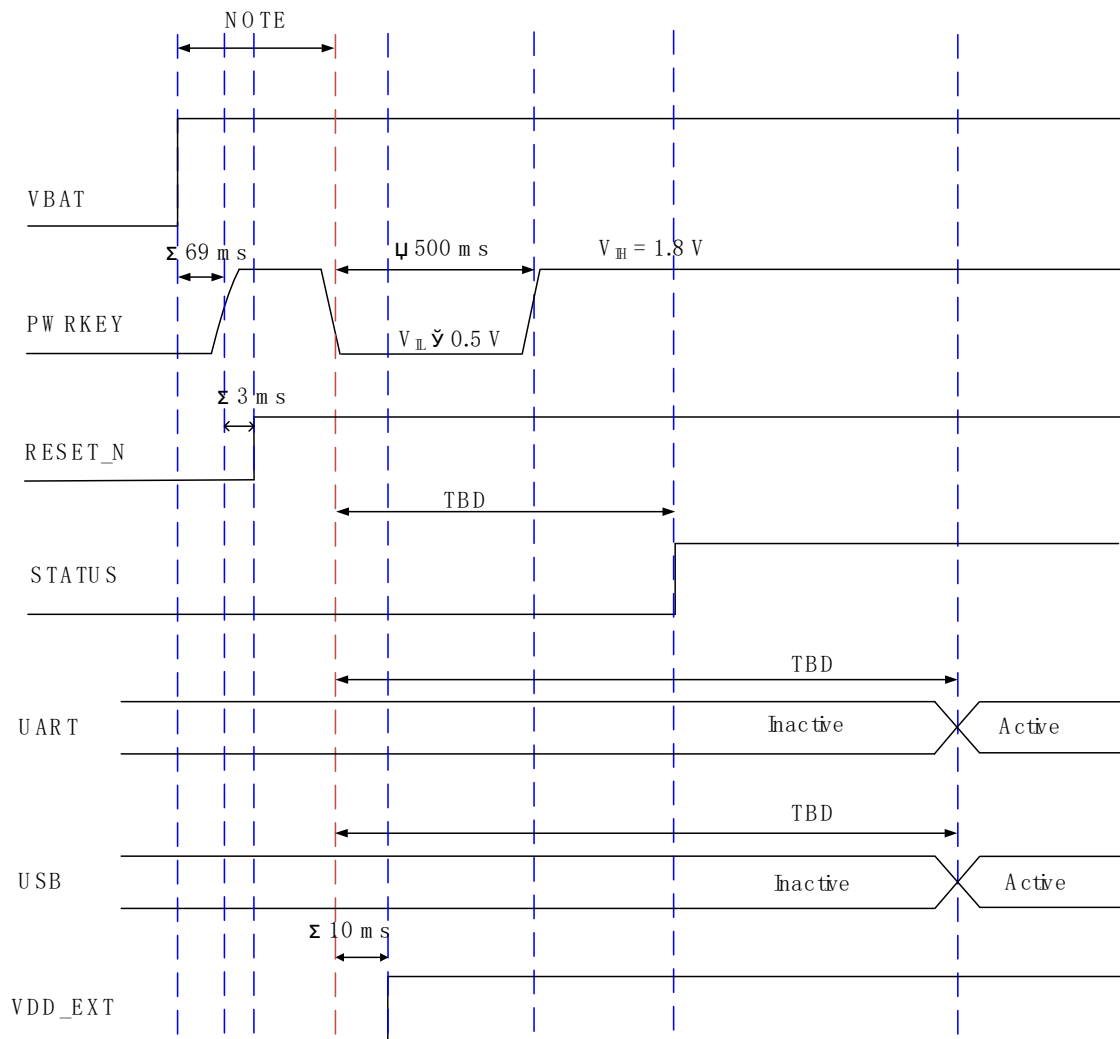


Figure 13: Power-up Timing

NOTE

Please ensure that VBAT is stable for at least 30 ms before pulling down the PWRKEY.

3.6. Turn Off

3.6.1. Turn off the Module with PWRKEY

Driving PWRKEY low for at least 800 ms, then the module will execute power-down procedure after the PWRKEY is released.

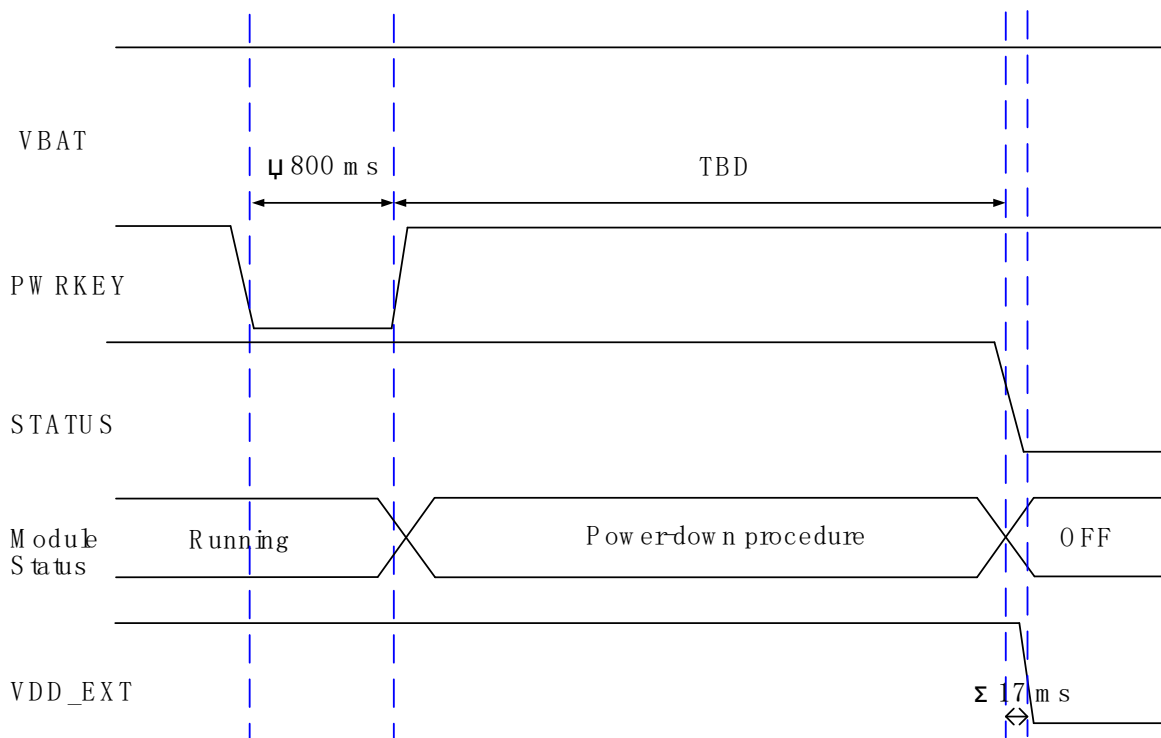


Figure 14: Power-down Timing

3.6.2. Turn off the Module with AT Command

It is safe to use **AT+QPOWD** command to turn off the module, which is similar to turn off the module via PWRKEY pin.

Please refer to **document [6]** for details about **AT+QPOWD** command.

NOTE

1. In order to avoid damaging the internal flash, please do not switch off the power supply when the module works normally. Only after the module is power off by PWRKEY or AT command, the power supply can be cut off.
2. When turning off module with AT command, please keep PWRKEY at a high level after the execution of power-off command. Otherwise, the module will be turned on again after turned off.

3.7. Reset

The module can be reset by driving RESET_N low for at least 500 ms and then releasing it. The RESET_N signal is sensitive to interference, so it is recommended to route the trace as short as possible and surround it with ground.

Table 10: Pin Definition of RESET

Pin Name	Pin No.	I/O	Description	Comment
RESET_N	8	DI	Resets the module	Internally pulled up to 1.8 V.

The recommended circuit is the same as the PWRKEY control circuit. An open drain/collector driver or button can be used to control the RESET_N.

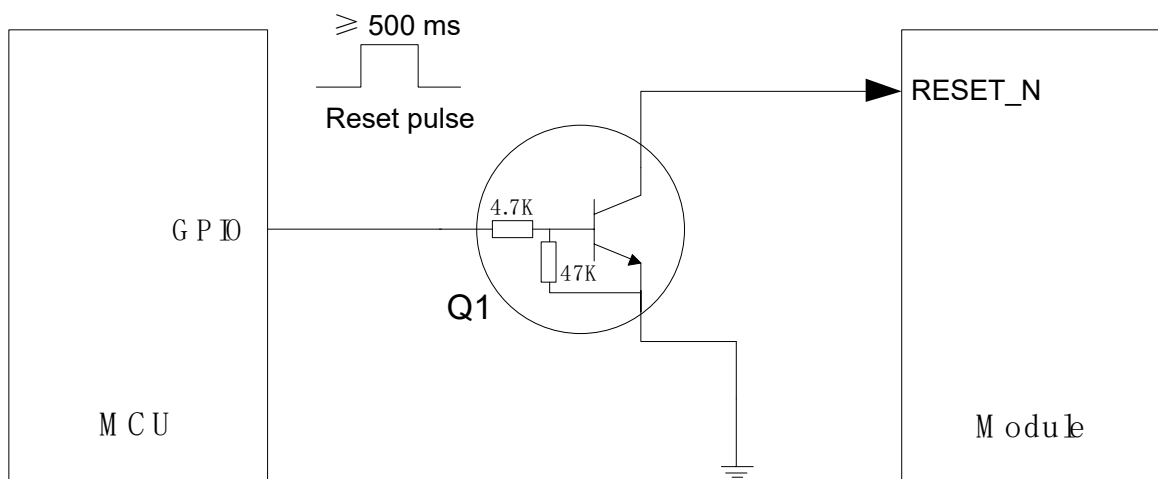


Figure 15: Reference Circuit of RESET_N with Driving Circuit

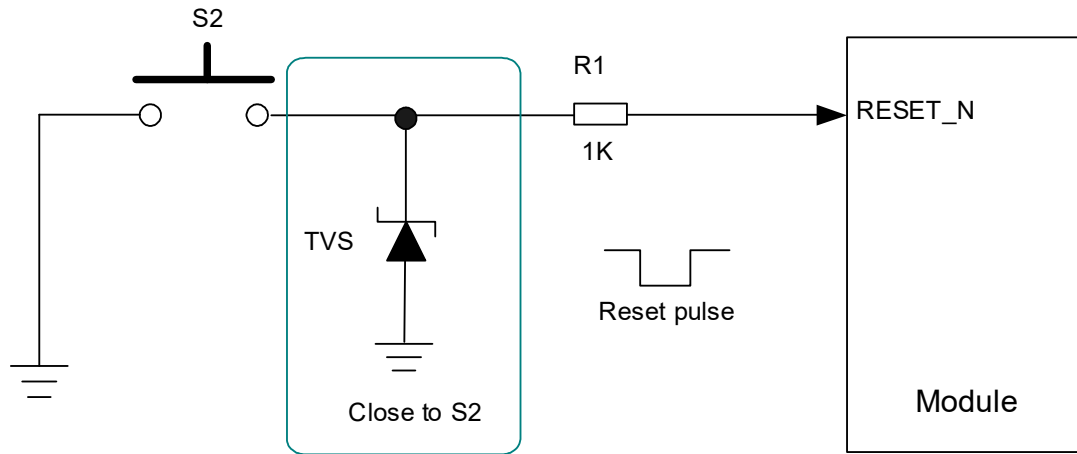


Figure 16: Reference Circuit of RESET_N with Button

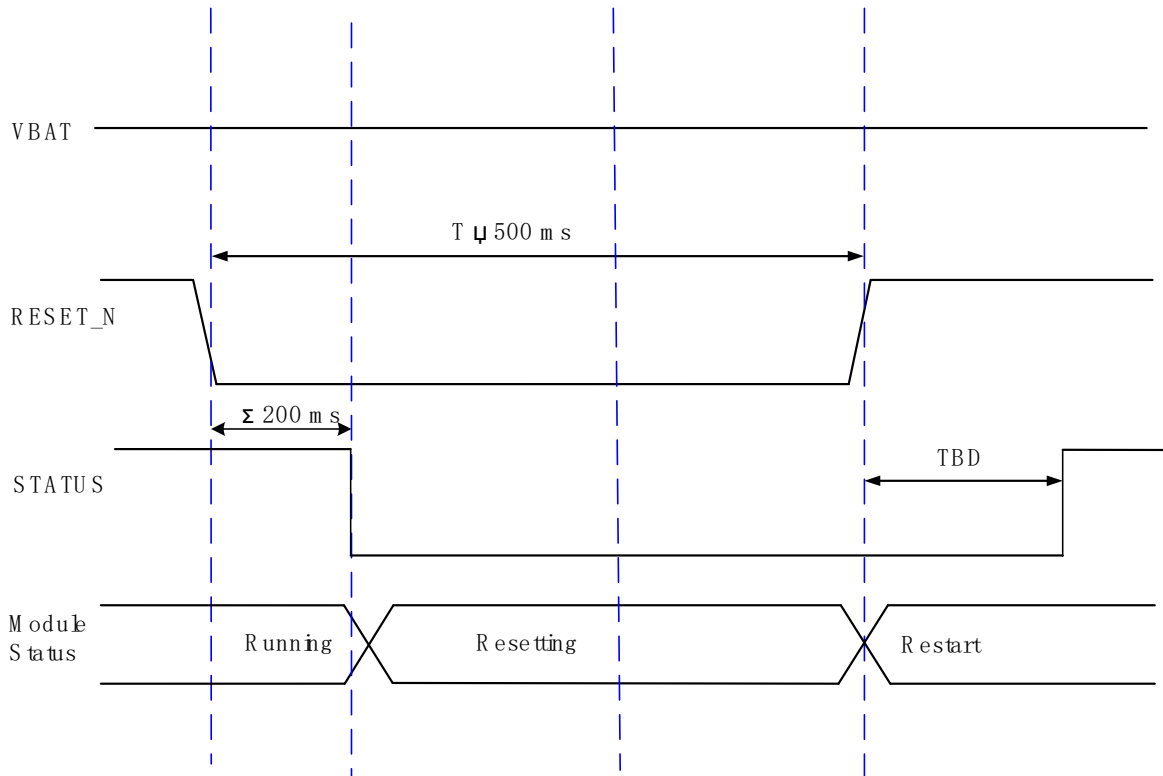


Figure 17: Reset Timing

NOTE

1. Use RESET_N only when you fail to turn off the module with the **AT+QPOWD** and PWRKEY.
2. Ensure that there is no large capacitance on PWRKEY and RESET_N pins.

4 Application Interfaces

4.1. USB Interface

The module provides one USB interface. The USB interface complies with the USB 3.1 and USB 2.0 specifications, and supports Super-Speed (10 Gbps) for USB 3.1, High-Speed (480 Mbps) and Full-Speed (12 Mbps) for USB 2.0.

Table 11: Functions of the USB Interface

Functions	
AT command communication	√
Data transmission	√
GNSS NMEA sentence output	√
Software debugging	√
Firmware upgrade	√
Voice over USB*	√

Pin definition of the USB interface is here as follows:

Table 12: Pin Definition of USB Interface

Pin Name	Pin No.	I/O	Description	Comment
USB_VBUS	82	AI	USB connection detect	For USB connection detection only, not power supply.
USB_DP	83	AIO	USB differential data (+)	Requires differential impedance of 90 Ω. USB 2.0 compliant.
USB_DM	85	AIO	USB differential data (-)	

USB_SS_TX_P	91	AO	USB 3.1 super-speed transmit (+)	
USB_SS_TX_M	89	AO	USB 3.1 super-speed transmit (-)	Requires differential impedance of 85 Ω. USB 3.1 Gen2 compliant.
USB_SS_RX_P	88	AI	USB 3.1 super-speed receive (+)	
USB_SS_RX_M	86	AI	USB 3.1 super-speed receive (-)	

It is recommended to reserve test points for debugging and firmware upgrading in your designs.

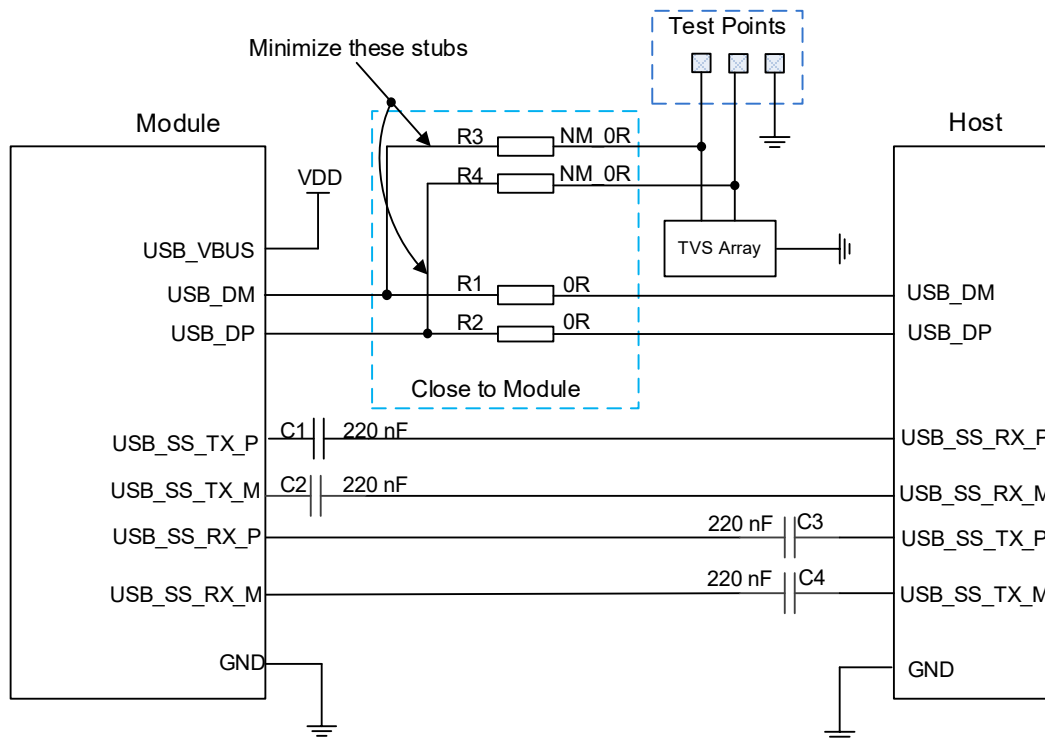


Figure 18: Reference Circuit of USB Application

To ensure the signal integrity of USB data lines, you must place R1, R2, R3, R4, C1 and C2 close to the module, C3 and C4 close to the host, and keep these resistors close to each other. Keep the extra stubs of trace as short as possible.

The following principles should be complied with when designing the USB interface, to meet USB specifications.

- It is important to route the USB signal traces as differential pairs with ground surrounded. The impedance of USB 2.0 differential trace is 90 Ω. The impedance of USB 3.1 differential trace is 85 Ω.
- For USB 2.0 signal traces, the trace as length should be less than 250 mm, length matching of each differential data pair (DP/DM) should be less than 2 mm (14 ps). For USB 3.1 signal traces, length

matching of each differential data pair (Tx/Rx) should be less than 0.7 mm (5 ps), while the matching between Tx and Rx should be less than 10 mm.

- Do not route signal traces under crystals, oscillators, magnetic devices, PCIe and RF signal traces. It is important to route the USB differential traces in inner-layer of the PCB, and surround the traces with ground on that layer and ground planes above and below.
- Junction capacitance of the ESD protection components might cause influences on USB data lines, so please pay attention to the selection of the components. Typically, the stray capacitance should be less than 1.0 pF for USB 2.0, and less than 0.15 pF for USB 3.1.
- Keep the ESD protection components as close to the USB connector as possible
- If possible, reserve a 0 Ω resistor on USB_DP and USB_DM lines respectively.

For more details about the USB specifications, please visit <http://www.usb.org/home>.

Table 13: USB Trace Length in the Module

Pin No.	Pin Name	Length (mm)	Length difference (P-M) (mm)
83	USB_DP	31.10	-0.05
85	USB_DM	31.15	
91	USB_SS_TX_P	32.90	-0.12
89	USB_SS_TX_M	33.02	
88	USB_SS_RX_P	30.90	-0.17
86	USB_SS_RX_M	30.73	

NOTE

1. Only USB 2.0 interface supports firmware upgrade.
2. Both USB 3.1 interface and PCIe Gen 3 interface support data transmission, and USB 3.1 interface is used by default. If you want to use PCIe interface for data communication, set it with **AT+QCFG** via USB 2.0. For more details about AT command, see **document [6]**.

4.2. USB_BOOT Interface

The module provides a USB_BOOT pin. You can pull up USB_BOOT to VDD_EXT before powering on the module, thus the module will enter emergency download mode when powered on. In this mode, the module supports firmware upgrade over USB 2.0 interface.

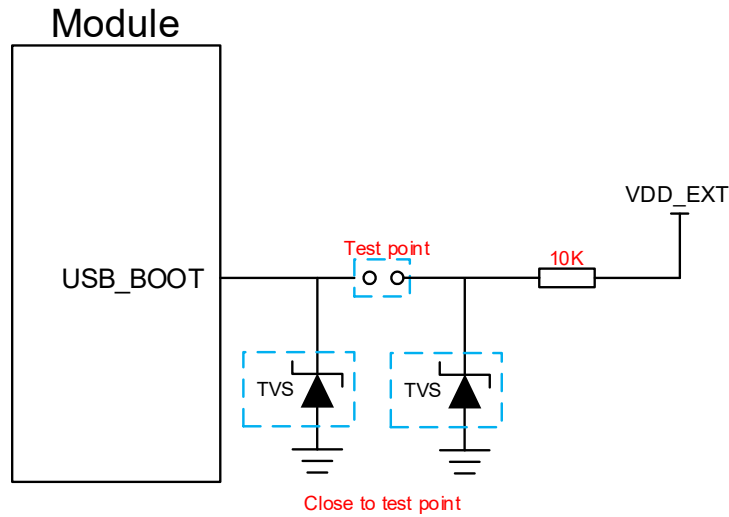


Figure 19: Reference Circuit of USB_BOOT Interface

4.3. (U)SIM Interfaces

(U)SIM interfaces circuitry meet *ETSI* and *IMT-2000* requirements. Both Class B (2.95 V) and Class C (1.8 V) (U)SIM cards are supported, and Dual SIM Single Standby* function is supported.

Table 14: Pin Definition of (U)SIM Interfaces

Pin Name	Pin No.	I/O	Description	Comment
USIM1_VDD	245	PO	(U)SIM1 card power supply	Either 1.8 V or 2.95 V is supported by the module automatically.
USIM1_DATA	248	DIO	(U)SIM1 card data	
USIM1_CLK	247	DO	(U)SIM1 card clock	
USIM1_RST	244	DO	(U)SIM1 card reset	
USIM1_DET	249	DI	(U)SIM1 card hot-plug detect	1.8 V power domain. If unused, keep it open.
USIM2_VDD	250	PO	(U)SIM2 card power supply	Either 1.8 V or 2.95 V is supported by the module automatically.
USIM2_DATA	251	DIO	(U)SIM2 card data	
USIM2_CLK	253	DO	(U)SIM2 card clock	

USIM2_RST	254	DO	(U)SIM2 card reset	
USIM2_DET	252	DI	(U)SIM2 card hot-plug detect	1.8 V power domain. If unused, keep it open.

The module supports (U)SIM card hot-plug via the USIM_DET pin. The function supports low level and high level detections. It is disabled by default and you can configure it via **AT+QSIMDET**. See **document [6]** for more details about the command.

The following figure illustrates a reference design for (U)SIM card interface with an 8-pin (U)SIM card connector.

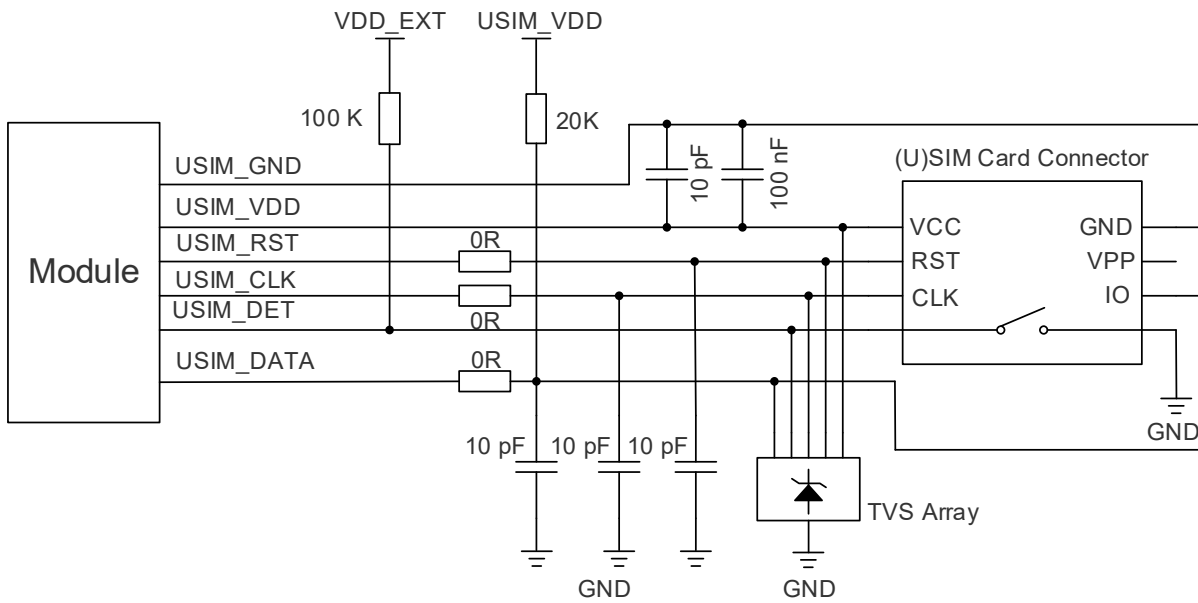


Figure 20: Reference Circuit of (U)SIM Interface with an 8-Pin (U)SIM Card Connector

If (U)SIM card detection function is not needed, please keep USIM_DET unconnected. A reference circuit for (U)SIM card interface with a 6-pin (U)SIM card connector is illustrated in the following figure.

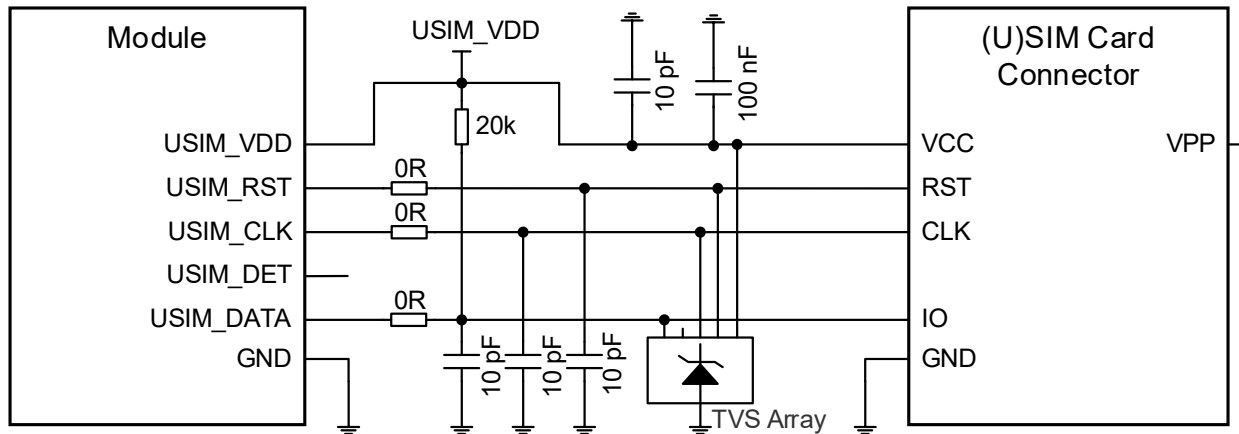


Figure 21: Reference Circuit of a 6-Pin (U)SIM Card Connector

In order to enhance the reliability and availability of the (U)SIM card in applications, please follow the criteria below in (U)SIM circuit design.

- Keep (U)SIM card connector as close as possible to the module. Keep the trace length as less than 200 mm as possible.
- Keep (U)SIM card signal traces away from RF and VBAT traces.
- To avoid cross-talk between USIM_DATA and USIM_CLK, keep them away from each other and shield them with ground surrounded.
- In order to offer better ESD protection, it is recommended to add a TVS array with a parasitic capacitance not exceeding 10 pF. The 0 Ω resistors should be added in series between the module and the (U)SIM card connector so as to suppress EMI spurious transmission and enhance ESD protection. The 10 pF capacitors are used to filter out RF interference.
- The 20 kΩ pull-up resistor on USIM_DATA trace improves anti-jamming capability and should be placed close to the (U)SIM card connector.
- (U)SIM card hot plug function is not supported by default.
- A space was reserved for eSIM inside the module on the (U)SIM2 interface.
- All these resistors, capacitors and TVS should be close to (U)SIM card connector in PCB layout.

4.4. I2C Interface*

The module provides one I2C interface. As an open drain output, it should be pulled up to 1.8 V.

Pin definition is here as follows:

Table 15: Pin Definition of I2C Interface

Pin Name	Pin No.	I/O	Description	Comment
I2C_SCL	77	OD	I2C serial clock	Pull each of them up to VDD_EXT with an external 4.7 kΩ resistor. If unused, keep them open.
I2C_SDA	78	OD	I2C serial data	

4.5. I2S Interface*

The module provides one I2S interface.

Pin definition is here as follows:

Table 16: Pin Definition of I2S Interface

Pin Name	Pin No.	I/O	Description	Comment
I2S_WS	259	DIO	I2S word select	In master mode, it is an output signal. In slave mode, it is an input signal. Can be multiplexed into PCM_SYNC.
I2S_SCK	256	DIO	I2S clock	In master mode, it is an output signal. In slave mode, it is an input signal. Can be multiplexed into PCM_CLK.
I2S_DIN	257	DI	I2S data in	Can be multiplexed into PCM_DIN.
I2S_DOUT	255	DO	I2S data out	Can be multiplexed into PCM_DOUT.
MCLK	79	DO	Clock output for codec	If unused, keep it open.

The following figure shows a reference design of I2S interface with an external codec IC.

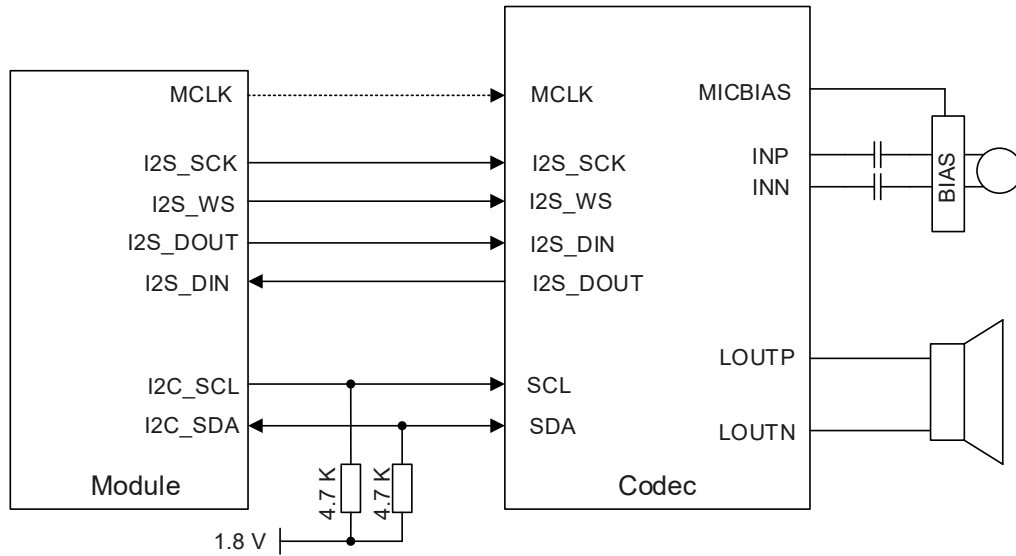


Figure 22: Reference Circuit of I2S Application with Audio Codec

4.6. PCM Interface*

The module provides one Pulse Code Modulation (PCM) digital interface and one I2S interface. The PCM interface supports the following modes:

- Primary mode (short frame synchronization, works as both master and slave)
- Auxiliary mode (long frame synchronization, works as master only)

In primary mode, the data is sampled on the falling edge of the PCM_CLK and transmitted on the rising edge. The PCM_SYNC falling edge represents the MSB. In this mode, the PCM interface supports 256 kHz, 512 kHz, 1024 kHz or 2048 kHz PCM_CLK at 8 kHz PCM_SYNC, and also supports 4096 kHz PCM_CLK at 16 kHz PCM_SYNC.

In auxiliary mode, the data is sampled on the falling edge of the PCM_CLK and transmitted on the rising edge. The PCM_SYNC rising edge represents the MSB. In this mode, PCM interface operates with a 256 kHz, 512 kHz, 1024 kHz or 2048 kHz PCM_CLK and an 8 kHz, 50 % duty cycle PCM_SYNC only.

Table 17: Pin Definition of PCM Interface

Pin Name	Pin No.	I/O	Description	Comment
PCM_SYNC	71	DIO	PCM data frame sync	In master mode, it is an output signal.
PCM_CLK	73	DIO	PCM clock	In slave mode, it is an

				input signal.
PCM_DIN	74	DI	PCM data input	If unused, keep it open.
PCM_DOUT	76	DO	PCM data output	

The module supports 16-bit linear data format. The following figures show the primary mode's timing relationship with 8 kHz PCM_SYNC and 2048 kHz PCM_CLK, as well as the auxiliary mode's timing relationship with 8 kHz PCM_SYNC and 256 kHz PCM_CLK.

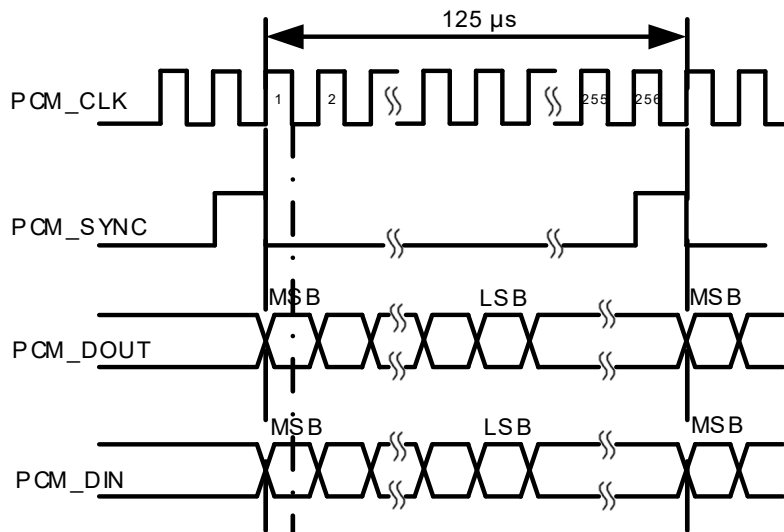


Figure 23: Primary Mode Timing

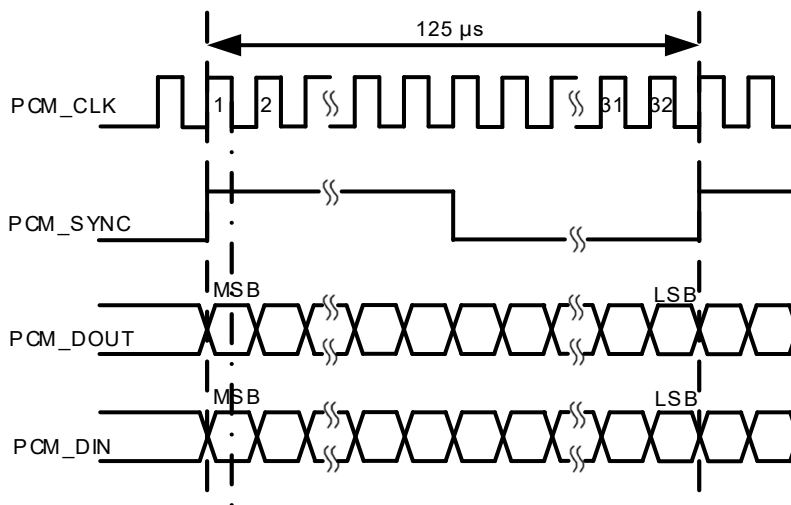


Figure 24: Auxiliary Mode Timing

Clock and mode can be configured by AT command, and the default configuration is master mode using short frame sync format with 2048 kHz PCM_CLK and 8 kHz PCM_SYNC. Please refer to **document [6]** about **AT+QDAI** command for details.

The reference design is illustrated as follows:

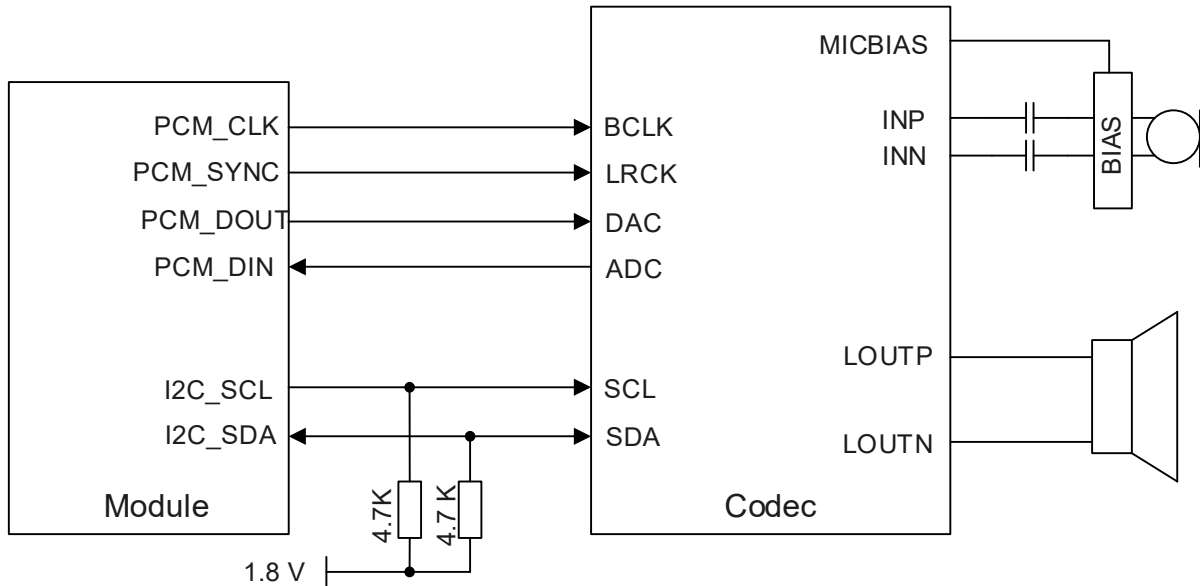


Figure 25: Reference Circuit of PCM Interface

4.7. UART Interfaces

The module provides four UART interfaces: one main UART interface, one debug UART interface, one Bluetooth UART interface*, and one COEX UART interface*. The following shows their features:

- Main UART interface supports 115200 bps baud rate by default. This interface is used for AT command communication.
- Debug UART interface supports 115200 bps baud rate. It is used for Linux console and log output.
- Bluetooth UART interface supports 115200 bps baud rate. It is used for Bluetooth communication. It supports RTS and CTS hardware flow control.
- COEX UART interface is used for WWAN/WLAN coexistence mechanism only for Qualcomm platform.

Pin definition of the UART interfaces is here as follows:

Table 18: Pin Definition of UART Interfaces

Pin Name	Pin No.	I/O	Description	Comment
MAIN_TXD	68	DO	Main UART transmit	
MAIN_RXD	70	DI	Main UART receive	
MAIN_RI*	100	DO	Main UART ring indication	
MAIN_DTR	258	DI	Main UART data terminal ready	1.8 V power domain.
MAIN_DCD*	261	DO	Main UART data carrier detect	
BT_TXD*	59	DO	Bluetooth UART transmit	
BT_RXD*	63	DI	Bluetooth UART receive	
BT_RTS*	61	DI	DTE request to send signal to DCE	Connect to DTE's RTS. 1.8 V power domain.
BT_CTS*	62	DO	DTE clear to send signal from DCE	Connect to DTE's CTS. 1.8 V power domain.
DBG_RXD	108	DI	Debug UART receive	1.8 V power domain.
DBG_TXD	105	DO	Debug UART transmit	
COEX_RXD*	65	DI	Coexistence UART receive	Only for Qualcommn platform. Signal interface used for WWAN/WLAN coexistence mechanism. Pin 65 can be multiplexed into SDX2AP_E911 function.
COEX_TXD*	67	DO	Coexistence UART transmit	Pin 67 can be multiplexed into SDX2AP_STATUS function. For details, please contact Quectel Technical Supports.

The following figure illustrates the reference design for UART interface connection between different modules.

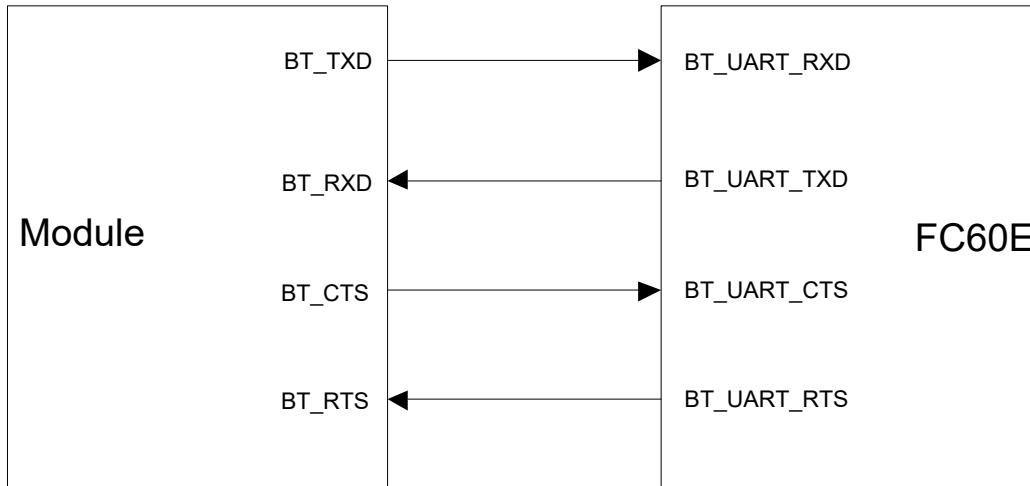


Figure 26: UART Interface Connection

The module provides 1.8 V UART interfaces. A level translator should be used if the application is equipped with a 3.3 V UART interface. A level translator is recommended.

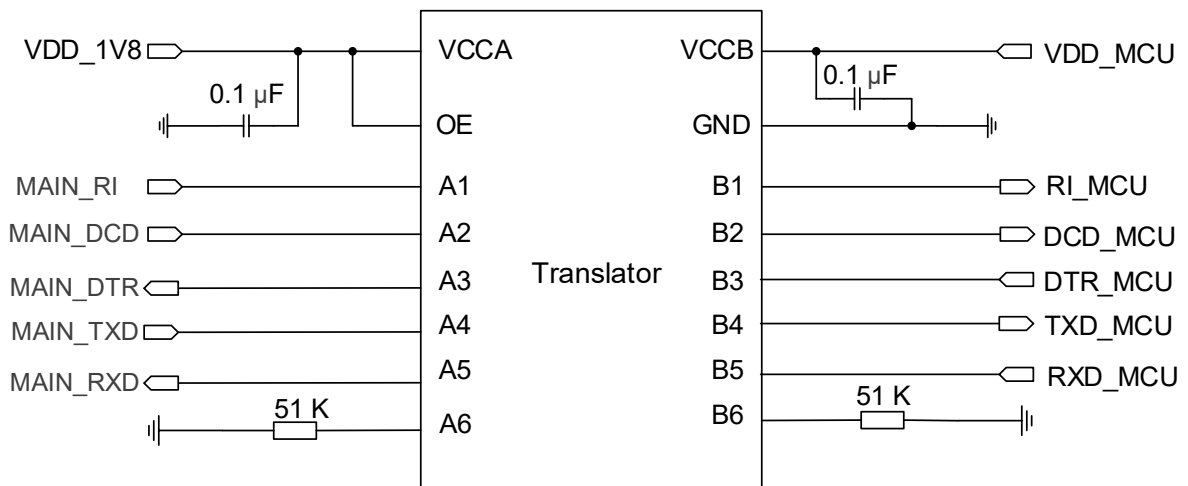


Figure 27: Reference Circuit with Translator Chip

Another example with transistor circuit is shown as below. For the design of circuits shown in dotted lines, please refer to that shown in solid lines, but pay attention to the direction of connection.

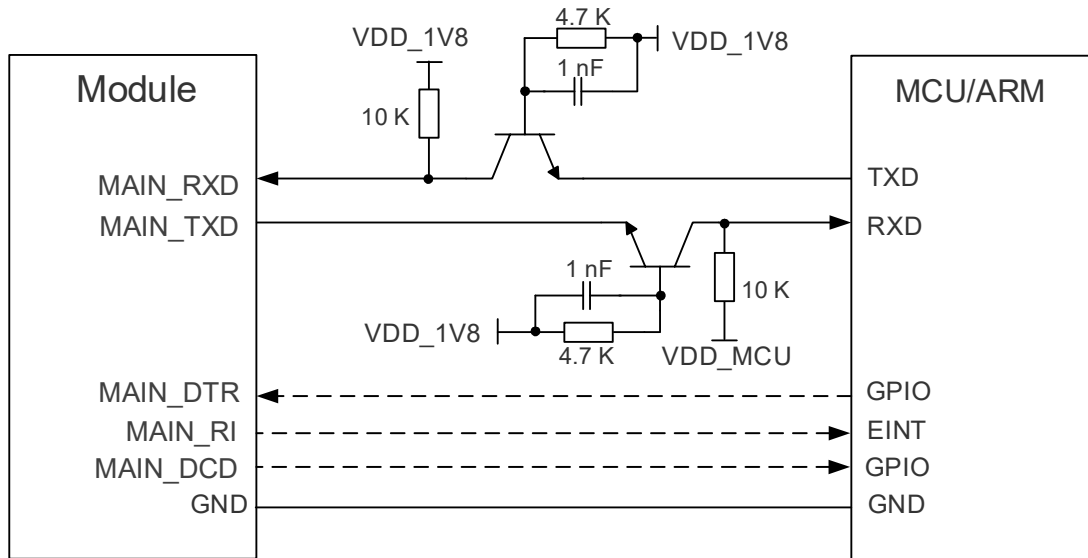


Figure 28: Reference Circuit with Transistor Circuit

NOTE

1. Transistor circuit solution is not suitable for applications with high baud rates exceeding 460 kbps.
2. Other baud rates of the main UART are under development.
3. Please note that the module BT_CTS is connected to the host CTS, and the module BT_RTS is connected to the host RTS.

4.8. SDIO Interface

The module provides one SDIO interface which support *SD 3.0 protocol*.

SDIO interface is used for SD card interface.

Table 19: Pin Definition of SD Card Interface

Pin Name	Pin No.	I/O	Description	Comment
SDIO_VDD	60	PI	SDIO power supply	1.8/2.85 V configurable input. If unused, connect it to VDD_EXT.
SDIO_DATA0	49	DIO	SDIO data bit 0	If unused, keep them

SDIO_DATA1	50	DIO	SDIO data bit 1	open.
SDIO_DATA2	51	DIO	SDIO data bit 2	
SDIO_DATA3	52	DIO	SDIO data bit 3	
SDIO_CMD	48	DIO	SDIO command	
SDIO_CLK	47	DO	SDIO clock	
SDIO_PWR_EN	53	DO	SDIO power supply enable	
SDIO_PWR_VSET	56	DO	SDIO power domain set	
SDIO_DET	55	DI	SD hot-plug detect	Pull it up to VDD_EXT with a 470 kΩ resistor. If unused, keep it open.

The following figure illustrates a reference design of SD card interface with the module.

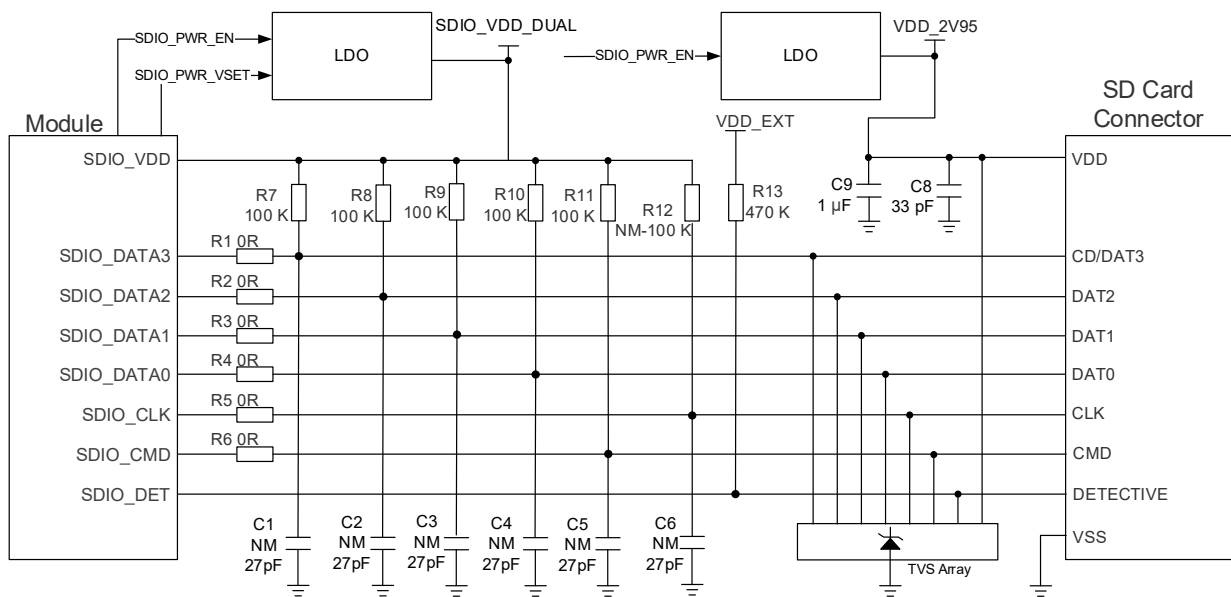


Figure 29: Reference Circuit of SD Card Interface

In SD card interface design, in order to ensure good communication performance with SD card, the following design principles should be complied with:

- The voltage range of SD power supply VDD_2V95 is 2.7–3.6 V and a sufficient current of up to 0.8 A should be provided. SDIO_VDD_DUAL is an SDIO Bus power domain, which can be used for SD card IO signal pull-up. Note that SDIO_VDD is an input pin for the module.
- To avoid jitter of Bus, resistors from R7 to R11 are needed to be pulled up to SDIO_VDD_DUAL. Value of these resistors are from 10 to 100 kΩ and the recommended value is 100 kΩ.

- In order to improve signal quality, it is recommended to add 0 Ω resistors R1 to R6 in series between the module and the SD card connector. The bypass capacitors C1 to C6 are reserved and not mounted by default. All resistors and bypass capacitors should be placed close to the SD card connector.
- For good ESD protection, it is recommended to add a ESD protection components with capacitance value less than 1.2 pF on each SD card pin.
- It is important to route the SDIO signal traces with ground surrounded. The impedance of SDIO data trace is 50 Ω (± 10 %).
- Keep SDIO signals far away from other sensitive circuits/signals such as RF circuits, analog signals, etc., as well as noisy signals such as clock signals, DC-DC signals, etc.
- Keep the trace length difference between SDIO_CLK and SDIO_DATA[0:3]/SDIO_CMD less than 2 mm and the total routing length less than 50 mm for SDR104 mode. For other speed modes, the trace length difference between SDIO_CLK and SDIO_DATA[0:3]/SDIO_CMD should be less than 6 mm and the total trace routing length less than 150 mm.
- Make sure the adjacent trace spacing is two times of the trace width and the load capacitance of SDIO Bus should be less than 5.0 pF.
- The DETECT pin of SD card connector must be connected to the module when the SD card function is being used.

Table 20: SDC Trace Length in the Module

Pin No.	Pin Name	Length (mm)
49	SDIO_DATA0	33.46
50	SDIO_DATA1	33.50
51	SDIO_DATA2	33.15
52	SDIO_DATA3	33.51
48	SDIO_CMD	34.38
47	SDIO_CLK	33.57

4.9. ADC Interface

The module provides one Analog-to-Digital Converter (ADC) interface. In order to improve the accuracy of ADC, the trace of ADC interface should be surrounded by ground.

Table 21: Pin Definition of ADC Interface

Pin Name	Pin No.	I/O	Description
ADC0	241	AI	General-purpose ADC interface

The voltage value on ADC pin can be read via **AT+QADC=<port>** command:

- **AT+QADC=0**: read the voltage value on ADC0

For more details about the AT command, please refer to *document [6]*.

Table 22: Characteristics of ADC Interface

Name	Min.	Typ.	Max.	Unit
ADC0 Voltage Range	0	-	1.875	V
ADC Input Resistance	398	400	402	kΩ
ADC Resolution	-	64.879	-	μV
ADC Sample Rate	-	4.8	-	MHz

NOTE

1. The input voltage of ADC should not exceed its corresponding voltage range.
2. It is prohibited to supply any voltage to ADC pin when VBAT is removed.
3. It is recommended to use resistor divider circuit for ADC application.

4.10. SPI Interface

The module provides one SPI interface which only supports master mode with a maximum clock frequency of up to 50 MHz.

Table 23: Pin Definition of SPI Interface

Pin Name	Pin No.	I/O	Description	Comment
SPI_CLK	210	DO	SPI clock	1.8 V power domain.

SPI_CS	207	DO	SPI chip select	Only master mode is supported.
SPI_MISO	213	DI	SPI master-in slave-out	
SPI_MOSI	204	DO	SPI master-out slave-in	

The module provides a 1.8 V SPI interface. Use a level shifter between the module and the host if the application is equipped with a 3.3 V processor or device interface. The following figure shows a reference design.

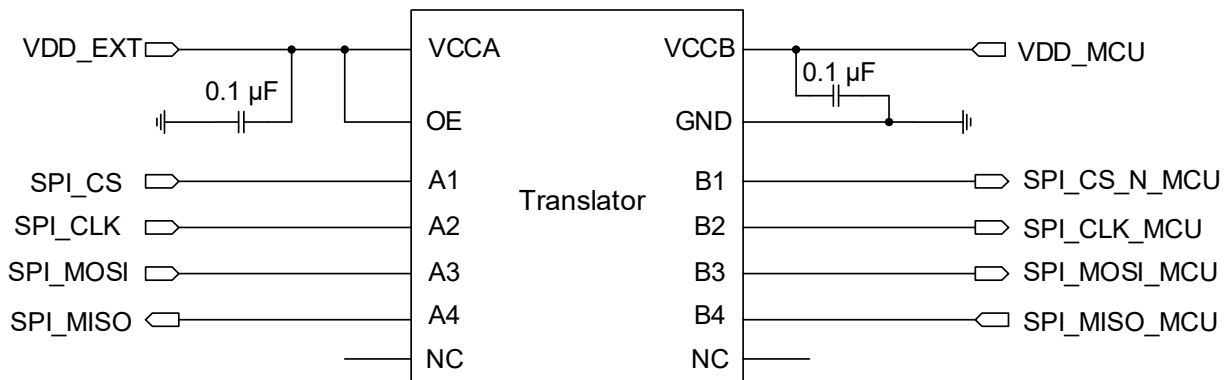


Figure 30: Reference Circuit of SPI Interface with a Level Translator

4.11. PCIe Interface

The module provides one integrated PCIe (Peripheral Component Interconnect Express) interface, which follows *PCI Express Specification Revision 3.0/4.0*. The key features of the PCIe interface are mentioned below:

- *PCI Express Specification Revision 3.0/4.0* Compliance.
- Data rate at 8 Gbps per lane for PCIe 3.0 and only lane 0 can be 16 Gbps for PCIe 4.0.
- Can be used to connect to an external Ethernet IC (MAC and PHY) or Wi-Fi IC.

Table 24: Pin Definition of PCIe Interface

Pin Name	Pin No.	I/O	Description	Comment
PCIE_REFCLK_P	40	AIO	PCIe reference clock (+)	Requires differential impedance of 85 Ω. One PCIe port is
PCIE_REFCLK_M	38	AIO	PCIe reference clock (-)	

PCIE_TX0_M	44	AO	PCIe transmit 0 (-)	supported. It can be either Gen 3 2-lane or Gen 4 1-lane.
PCIE_TX0_P	46	AO	PCIe transmit 0 (+)	
PCIE_TX1_M	41	AO	PCIe transmit 1 (-)	
PCIE_TX1_P	43	AO	PCIe transmit 1 (+)	
PCIE_RX0_M	32	AI	PCIe receive 0 (-)	
PCIE_RX0_P	34	AI	PCIe receive 0 (+)	
PCIE_RX1_M	35	AI	PCIe receive 1 (-)	
PCIE_RX1_P	37	AI	PCIe receive 1 (+)	
PCIE_CLKREQ_N	36	OD	PCIe clock request	1.8 V power domain. In root complex mode, it is an input signal. In endpoint mode, it is an output signal.
PCIE_RST_N	39	DIO	PCIe reset	1.8 V power domain. In root complex mode, it is an output signal. In endpoint mode, it is an input signal.
PCIE_WAKE_N	30	OD	PCIe wake up	1.8 V power domain. In root complex mode, it is an input signal. In endpoint mode, it is an output signal.

The following figure illustrates the PCIe interface connection.

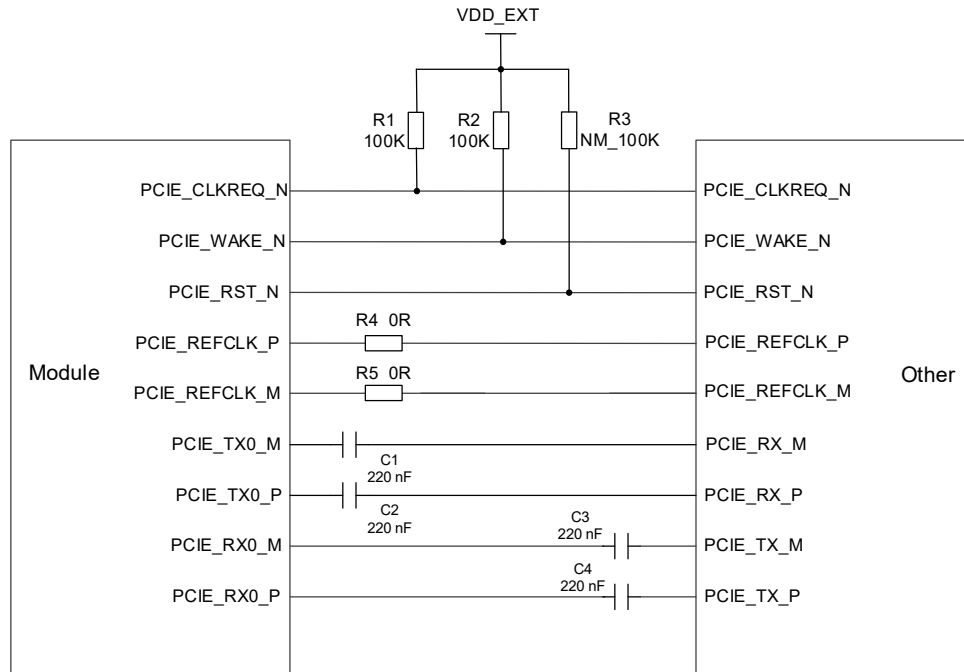


Figure 31: PCIe Interface Connection

The following principles of PCIe interface design should be complied with to meet PCIe specifications.

- It is important to route the PCIe signal traces as differential pairs with ground surrounded. The differential impedance is 72.5–97.5 Ω and 85 Ω is recommended.
- PCIe signals must be protected from noisy signals (clocks, DC-DC, RF and so forth). All other sensitive/high-speed signals and circuits must be routed far away from PCIe traces.
- For each differential pair, intra-lane length match should be less than 0.7 mm.
- Inter-lane length match, that is, the trace length matching between the reference clock, Tx, and Rx pairs) is not required.
- The space between Tx and Rx, and the spacing between PCIe lanes and all other signals, should be larger than 4 times of the trace width.
- PCIe Tx AC coupling capacitors can be anywhere along the line, but better to be placed close to source or connector side to keep good signal integrity of main route on PCB.
- Ensure not to stagger the capacitors. This can affect the differential integrity of the design and can create EMI.
- PCIe Tx AC coupling capacitors should be 220 nF for Gen 3/Gen 4, and 100 nF is recommended for Gen 2/Gen 1 application.
- In the case of trace serpentes, one line of a differential pair must be routed to make up a length delta, then it must be routed at the source (breakout) – this ensures that lines stay differential thereafter.
- To reduce the probability for layer-to-layer manufacturing variation, minimize layer transitions on the main route (in other words, apply layer transitions only at module breakouts and connectors to ensure minimum layer transitions on the main route).

Table 25: PCIe Trace Length in the Module

Pin No.	Pin Name	Length (mm)	Length Difference (P-M) (mm)
40	PCIE_REFCLK_P	7.52	-0.06
38	PCIE_REFCLK_M	7.58	
46	PCIE_TX0_P	12.87	-0.03
44	PCIE_TX0_M	12.90	
43	PCIE_TX1_P	10.36	-0.01
41	PCIE_TX1_M	10.37	
34	PCIE_RX0_P	3.92	-0.17
32	PCIE_RX0_M	4.09	
37	PCIE_RX1_P	4.88	0.03
35	PCIE_RX1_M	4.85	

4.12. Control Signal

Relative interfaces' pin descriptions are here as follows:

Table 26: Pin Definition of Control Signal

Pin Name	Pin No.	I/O	Description
W_DISABLE#	114	DI	Airplane mode control
WL_SW_CTRL	180	DI	76.8 MHz system clock request

4.12.1. W_DISABLE#

The module provides a W_DISABLE# pin to enable or disable airplane mode through hardware operation. W_DISABLE# is pulled up by default, and driving it low will set the module to airplane mode.

The RF function can also be enabled or disabled through software AT commands.

Table 27: RF Function Status

W_DISABLE# Level	AT Commands	RF Function Status
High Level	AT+CFUN=1	Enabled
High Level	AT+CFUN=0 AT+CFUN=4	Disabled
Low Level	AT+CFUN=0 AT+CFUN=1 AT+CFUN=4	Disabled

4.13. Indication Signal

Relative interfaces' pin descriptions are here as follows:

Table 28: Pin Definition of Indication Signal

Pin Name	Pin No.	I/O	Description	Comment
NET_MODE	240	DO	Indicates whether the module has registered on 5G network	
STATUS	237	DO	Indicates the module's operation status	1.8 V power domain.
NET_STATUS	243	DO	Indicates the module's network activity status	
SLEEP_IND	102	DO	Indicates the module's sleep mode	

4.13.1. Network Status Indication

The network indication pins can be used to drive network status indication LEDs. The module provides two network indication pins: NET_MODE and NET_STATUS. The following tables describe pin definition and logic level changes in different network status.

Table 29: Working State of the Network Connection Status/Activity Indication

Pin Name	Status	Description
NET_MODE	Always High	Registered on 5G network
	Always Low	Others
NET_STATUS	Flicker slowly (200 ms High/1800 ms Low)	Network searching
	Flicker slowly (1800 ms High/200 ms Low)	Idle
	Flicker quickly (125 ms High/125 ms Low)	Data transfer is ongoing
	Always High	Voice calling

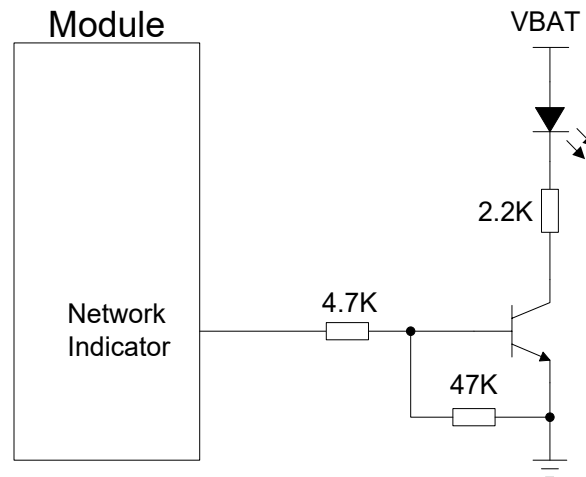


Figure 32: Reference Circuit of the Network Status Indication

4.13.2. STATUS

The STATUS pin is an open drain output for indicating the module’s operation status. It will output high level when module is powered ON successfully.

A reference circuit is shown as below.

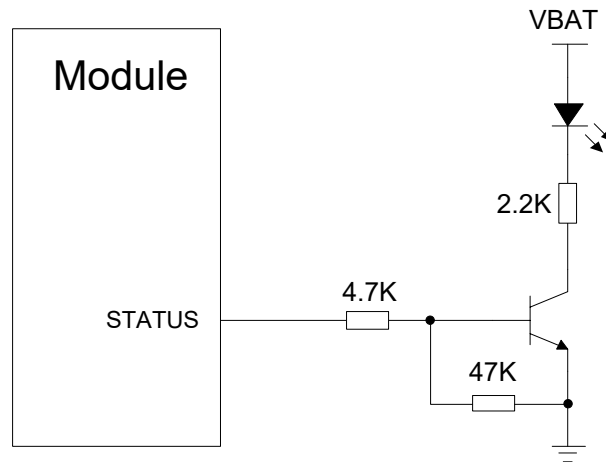


Figure 33: Reference Circuits of STATUS

4.14. IPQ Status and Err Fatal Interface*

The module provides one IPQ status interface and one Err Fatal interface for connection between the module and IPQ. The following tables show the pin definition.

Table 30: Pin Definition of IPQ Status and Err Fatal Interface

Pin Name	Pin No.	I/O	Description	Comment
COEX_RXD	65	DI	Coexistence UART receive	Only for Qualcomm platform. Signal interface used for WWAN/WLAN coexistence mechanism.
COEX_TXD	67	DO	Coexistence UART transmit	Pin 65 can be multiplexed into SDX2AP_E911 function. Pin 67 can be multiplexed into SDX2AP_STATUS function. For details, please contact Quectel Technical Supports.
GPIO_32	98	DO	Supports time service and repeater functions; supports 1PPS pulse output and frame synchronization	Can be multiplexed into AP2SDX_STATUS function. For details, please contact Quectel Technical Supports.

The following figure shows a reference design of the module with IPQ GPIOs.

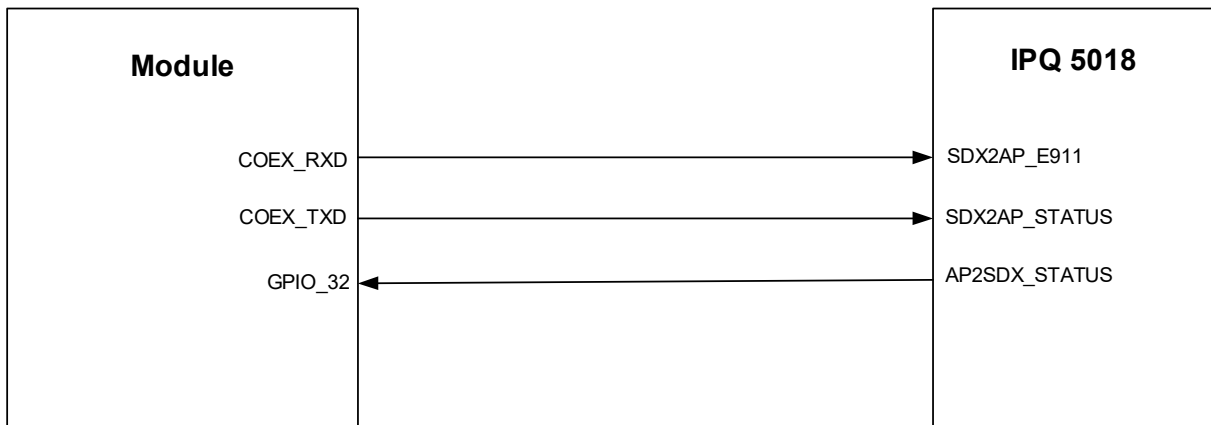


Figure 34: Module with IPQ GPIO Application

NOTE

IPQ5018 is used by default here.

4.15. MAIN_RI*

AT+QCFG= “risignaltype”, “physical” command can be used to configure MAIN_RI behavior. No matter on which port a URC is presented, the URC will trigger the behavior of MAIN_RI pin.

NOTE

The URC can be outputted via UART port, USB AT port and USB modem port, which can be set by **AT+QURCCFG** command. The default port is USB AT port.

In addition, MAIN_RI behaviors can be configured flexibly. The default behavior of the MAIN_RI is shown as below.

Table 31: Behaviors of the RI

State	Response
Idle	MAIN_RI keeps at high level.

URC MAIN_RI outputs 120 ms low pulse when a new URC return.

The MAIN_RI behavior can be changed via **AT+QCFG="urc/ri/ring"***. Please refer to **document [6]** for details.

4.16. Time Service and Repeater Interface*

Time service provides time information for other devices or systems through standard or customized interfaces and protocols. Its basic channels are shortwave, TV signals, cables, networks, satellites, base stations, etc. Repeater is a kind of wireless signal relay device, which amplifies the base station signal and then transmits it to areas with weak signal coverage, expanding the network coverage.

Repeater is a kind of wireless signal relay device, which amplifies the base station signal and then transmits it to areas with weak signal coverage, expanding the network coverage.

With GNSS time service and repeater functions, the module can provide 1PPS pulse output, and can execute time service through AT commands based on baseline SIB9 system messages.

Table 32: Pin Definition of Time Service and Repeater Function

Pin Name	Pin No.	I/O	Description	Comment
GPIO_32	98	DO	Supports time service and repeater functions; supports 1PPS pulse output and frame synchronization	1.8 V power domain. Can be multiplexed into AP2SDX_STATUS function. For details, please contact Quectel Technical Supports.

NOTE

If GPIO_32 is needed for other purposes, its default function should be disabled in the relevant software configuration.

4.17. GRFC Interfaces*

The module provides two generic RF control interfaces for the control of external antenna tuners.

Table 33: Pin Definition of GRFC Interfaces

Pin Name	Pin No.	I/O	Default Status	Description	Comment
SDR_GRFC0	171	DO	PD	GRFC interface dedicated for external antenna tuner control	If unused, keep them open.
SDR_GRFC1	174	DO	PD		

Table 34: Logic Levels of GRFC Interfaces

Parameter	Min.	Max.	Unit
V _{OL}	0	0.45	V
V _{OH}	1.35	1.8	V

Table 35: Truth Table of GRFC Interfaces

GRFC1 Level	GRFC2 Level	Frequency Range (MHz)	Band
Low	Low	TBD	TBD
Low	High	TBD	TBD
High	Low	TBD	TBD
High	High	TBD	TBD

5 RF Specifications

5.1. Cellular Network

5.1.1. Antenna Interface & Frequency Bands

The pin definition is shown below:

Table 36: Pin Definition of Cellular Network Interface for RG520F-NA*/RG520N-NA

Pin Name	Pin No.	I/O	Description	Comment
ANT0	130	AIO	Antenna 0 interface: - 5G NR: n41 TRX1 & n77/n78 TRX0 - LTE: LMB_TRX0 & HB_TRX1 & UHB_TRX0	
ANT1	157	AIO	Antenna 1 interface: - 5G NR: n41 DRX MIMO & n77/n78 DRX MIMO - LTE: LMB_PRX MIMO & HB_DRX MIMO & UHB_DRX MIMO & LAA_PRX	
ANT2	166	AIO	Antenna 2 interface: - 5G NR: n41 PRX MIMO & n77/n78 PRX MIMO - LTE: LMB_DRX MIMO & HB_PRX MIMO & UHB_PRX MIMO & LAA_DRX	50 Ω impedance
ANT3	184	AIO	Antenna 3 interface: - 5G NR: n41 TRX0 & n77/n78 TRX1 - LTE: LMB_TRX1 & HB_TRX0 & UHB_TRX1	

Table 37: Pin Definition of Cellular Network Interface for RG520F-EU*/RG520N-EU

Pin Name	Pin No.	I/O	Description	Comment
ANT0	130	AIO	Antenna 0 interface:	
			- 5G NR: n41 TRX1 & n77/n78 TRX0	
			- LTE: LMB_TRX0 & HB_TRX1 & UHB_TRX0	
			- WCDMA: LMB_TRX	
ANT1	157	AIO	Antenna 1 interface:	
			- 5G NR: n41 DRX MIMO & n77/n78 DRX MIMO	
			- LTE: LMB_PRX MIMO & HB_DRX MIMO & UHB_DRX MIMO	
ANT2	166	AIO	Antenna 2 interface:	
			- 5G NR: n41 PRX MIMO & n77/n78 PRX MIMO	50 Ω impedance
			- LTE: LMB_DRX MIMO & HB_PRX MIMO & UHB_PRX MIMO	
ANT3	184	AIO	Antenna 3 interface:	
			- 5G NR: n41 TRX0 & n77/n78 TRX1	
			- LTE: LMB_TRX1 & HB_TRX0 & UHB_TRX1	
			- WCDMA: LMB_DRX	
ANT4	121	AI	Antenna 4 interface:	
			- LTE: B32_PRX (optional)	
ANT5	175	AI	Antenna 5 interface:	
			- LTE: B32_DRX (optional)	

Table 38: Cellular Network Antenna Mapping for RG520F-NA*/RG520N-NA

Antenna	WCDMA	LTE	5G NR			LB (MHz)	MHB (MHz)	n77/n78 (MHz)	Pin No.
			Refarmed	n41	n77/n78				
ANT0	-	LMB_TRX0, HB_TRX1, UHB_TRX0	LMB_TRX0, HB_TRX1	TRX1	TRX0	617–960	1710–2690	3300–4200	130
ANT1	-	LMB_PRX MIMO, HB_DRX MIMO, UHB_DRX MIMO, LAA_PRX	LMB_PRX MIMO, HB_DRX MIMO	DRX MIMO	DRX MIMO	617–960	1710–2690	3300–4200	157
ANT2	-	LMB_DRX MIMO, HB_PRX MIMO, UHB_PRX MIMO, LAA_DRX	LMB_DRX MIMO, HB_PRX MIMO	PRX MIMO	PRX MIMO	617–960	1710–2690	3300–4200	166
ANT3	-	LMB_TRX1, HB_TRX0, UHB_TRX1	LMB_TRX1, HB_TRX0	TRX0	TRX1	617–960	1710–2690	3300–4200	184

Table 39: Cellular Network Antenna Mapping for RG520F-EU*/RG520N-EU

Antenna	WCDMA	LTE	5G NR			LB (MHz)	MHB (MHz)	n77/n78 (MHz)	Pin No.
			Reformed	n41	n77/n78				
ANT0	LMB_TRX	LMB_TRX0, HB_TRX1, UHB_TRX0	LMB_TRX0, HB_TRX1	TRX1	TRX0	617–960	1427–2690	3300–4200	130
ANT1	-	LMB_PRX MIMO, HB_DRX MIMO, UHB_DRX MIMO	LMB_PRX MIMO, HB_DRX MIMO	DRX MIMO	DRX MIMO	617–960	1427–2690	3300–4200	157
ANT2	-	LMB_DRX MIMO, HB_PRX MIMO, UHB_PRX MIMO	LMB_DRX MIMO, HB_PRX MIMO	PRX MIMO	PRX MIMO	617–960	1427–2690	3300–4200	166
ANT3	LMB_DRX	LMB_TRX1, HB_TRX0, UHB_TRX1	LMB_TRX1, HB_TRX0	TRX0	TRX1	617–960	1427–2690	3300–4200	184
ANT4	-	B32_PRX (Optional)	-	-	-	-	1427–1496	-	121
ANT5	-	B32_DRX (Optional)	-	-	-	-	1427–1496	-	175

NOTE

1. LTE L/M/H/UHB_TRX1 is activated when 5G NR FDD L/M/H/UHB bands are supported in NSA mode.
2. LTE UHB frequency range: 3400–3800 MHz.
3. TRX0/1 = TX0/1 + PRX/DRX.
4. LTE LB 4 × 4 MIMO is optional. Even if it is not required, to support LB + LB CA or EN-DC combinations, ANT0–ANT3 must support low bands.

5.1.2. Tx Power

The following table shows the RF output power of the module.

Table 40: Tx Power

Mode	Frequency	Max.	Min.
WCDMA	WCDMA bands	24 dBm +1/-3 dB (Class 3)	<-50 dBm
LTE	LTE bands	23 dBm ±2 dB (Class 3)	<-40 dBm
	LTE HPUE bands (B38/B41/B42)	26 dBm ±2 dB (Class 2)	<-40 dBm
5G NR	5G NR bands	23 dBm ±2 dB (Class 3)	<-40 dBm
	5G NR HPUE bands (n38/n41/n77/n78)	26 dBm +2/-3 dB (Class 2)	<-40 dBm

NOTE

For 5G NR bands, they have different standards for different channel bandwidth, please refer to the specifications as described in **Clause 6.3.1** of *TS 38.101-1 [2]*.

5.1.3. Rx Sensitivity

The following table shows conducted RF receiving sensitivity of the module.

Table 41: Conducted RF Receiving Sensitivity of RG520F-NA*/RG520N-NA

Frequency	Receiving Sensitivity (Typ.)			3GPP Requirement (SIMO)
	Primary	Diversity	SIMO	
LTE-FDD B2 (10 MHz)	TBD	TBD	TBD	-95.0 dBm
LTE-FDD B4 (10 MHz)	TBD	TBD	TBD	-97.0 dBm
LTE-FDD B5 (10 MHz)	TBD	TBD	TBD	-95.0 dBm

LTE-FDD B7 (10 MHz)	TBD	TBD	TBD	-95.0 dBm
LTE-FDD B12 (10 MHz)	TBD	TBD	TBD	-94.0 dBm
LTE-FDD B13 (10 MHz)	TBD	TBD	TBD	-94.0 dBm
LTE-FDD B14 (10 MHz)	TBD	TBD	TBD	-94.0 dBm
LTE-FDD B17 (10 MHz)	TBD	TBD	TBD	-94.0 dBm
LTE-FDD B25 (10 MHz)	TBD	TBD	TBD	-93.5 dBm
LTE-FDD B26 (10 MHz)	TBD	TBD	TBD	-94.5 dBm
LTE-FDD B29 (10 MHz)	TBD	TBD	TBD	TBD
LTE-FDD B30 (10 MHz)	TBD	TBD	TBD	-96.0 dBm
LTE-TDD B38 (10 MHz)	TBD	TBD	TBD	-97.0 dBm
LTE-TDD B41 (10 MHz)	TBD	TBD	TBD	-95.0 dBm
LTE-TDD B42 (10 MHz)	TBD	TBD	TBD	-96.0 dBm
LTE-TDD B43 (10 MHz)	TBD	TBD	TBD	-96.0 dBm
LTE-TDD B46 (10 MHz)	TBD	TBD	TBD	TBD
LTE-TDD B48 (10 MHz)	TBD	TBD	TBD	-96.0 dBm
LTE-FDD B66 (10 MHz)	TBD	TBD	TBD	-96.5 dBm
LTE-FDD B71 (10 MHz)	TBD	TBD	TBD	-94.2 dBm
5G NR FDD n2 (20 MHz)	TBD	TBD	TBD	-91.8 dBm
5G NR FDD n5 (20 MHz)	TBD	TBD	TBD	-90.8 dBm
5G NR FDD n7 (20 MHz)	TBD	TBD	TBD	-91.8 dBm
5G NR FDD n12 (10 MHz)	TBD	TBD	TBD	-93.8 dBm
5G NR FDD n13 (10 MHz)	TBD	TBD	TBD	TBD

5G NR FDD n14 (10 MHz)	TBD	TBD	TBD	-93.8 dBm
5G NR FDD n25 (20 MHz)	TBD	TBD	TBD	-90.3 dBm
5G NR TDD n26 (20 MHz)	TBD	TBD	TBD	-87.6 dBm
5G NR FDD n29 (10 MHz)	TBD	TBD	TBD	TBD
5G NR FDD n30 (10 MHz)	TBD	TBD	TBD	-95.8 dBm
5G NR TDD n38 (20 MHz)	TBD	TBD	TBD	-93.8 dBm
5G NR TDD n41 (100 MHz)	TBD	TBD	TBD	-84.7 dBm
5G NR TDD n48 (20 MHz)	TBD	TBD	TBD	-92.9 dBm
5G NR FDD n66 (20 MHz)	TBD	TBD	TBD	-93.3 dBm
5G NR FDD n70 (20 MHz)	TBD	TBD	TBD	-93.8 dBm
5G NR FDD n71 (20 MHz)	TBD	TBD	TBD	-86.0 dBm
5G NR TDD n77 (100 MHz)	TBD	TBD	TBD	-85.1 dBm
5G NR TDD n78 (100 MHz)	TBD	TBD	TBD	-85.6 dBm

Table 42: Conducted RF Receiving Sensitivity of RG520F-EU*/RG520N-EU

Frequency	Receiving Sensitivity (Typ.)			3GPP Requirement (SIMO)
	Primary	Diversity	SIMO	
WCDMA B1	TBD	TBD	TBD	-106.7 dBm
WCDMA B5	TBD	TBD	TBD	-104.7 dBm
WCDMA B8	TBD	TBD	TBD	-103.7 dBm
LTE-FDD B1 (10 MHz)	TBD	TBD	TBD	-97.0 dBm
LTE-FDD B3 (10 MHz)	TBD	TBD	TBD	-94.0 dBm
LTE-FDD B5 (10 MHz)	TBD	TBD	TBD	-95.0 dBm

LTE-FDD B7 (10 MHz)	TBD	TBD	TBD	-95.0 dBm
LTE-FDD B8 (10 MHz)	TBD	TBD	TBD	-94.0 dBm
LTE-FDD B20 (10 MHz)	TBD	TBD	TBD	-94.0 dBm
LTE-FDD B28 (10 MHz)	TBD	TBD	TBD	-95.5 dBm
LTE-TDD B32 (10 MHz)	TBD	TBD	TBD	TBD
LTE-TDD B38 (10 MHz)	TBD	TBD	TBD	-97.0 dBm
LTE-TDD B40 (10 MHz)	TBD	TBD	TBD	-97.0 dBm
LTE-TDD B41 (10 MHz)	TBD	TBD	TBD	-95.0 dBm
LTE-TDD B42 (10 MHz)	TBD	TBD	TBD	-96.0 dBm
LTE-TDD B43 (10 MHz)	TBD	TBD	TBD	-96.0 dBm
5G NR FDD n1 (20 MHz)	TBD	TBD	TBD	-93.8 dBm
5G NR FDD n3 (20 MHz)	TBD	TBD	TBD	-90.8 dBm
5G NR FDD n5 (20 MHz)	TBD	TBD	TBD	-90.8 dBm
5G NR FDD n7 (20 MHz)	TBD	TBD	TBD	-91.8 dBm
5G NR FDD n8 (20 MHz)	TBD	TBD	TBD	-90.0 dBm
5G NR FDD n20 (20 MHz)	TBD	TBD	TBD	-89.8 dBm
5G NR FDD n28 (20 MHz)	TBD	TBD	TBD	-90.8 dBm
5G NR TDD n38 (20 MHz)	TBD	TBD	TBD	-94.0 dBm
5G NR TDD n40 (20 MHz)	TBD	TBD	TBD	-94.0 dBm
5G NR TDD n41 (100 MHz)	TBD	TBD	TBD	-84.7 dBm
5G NR TDD n75 (20 MHz)	TBD	TBD	TBD	-93.8 dBm
5G NR TDD n76 (5 MHz)	TBD	TBD	TBD	-100 dBm

5G NR TDD n77 (100 MHz)	TBD	TBD	TBD	-85.1 dBm
5G NR TDD n78 (100 MHz)	TBD	TBD	TBD	-85.6 dBm

5.1.4. Reference Design

RG520F-NA* and RG520N-NA modules provide 4 RF cellular antenna interfaces for antenna connection.

RG520F-EU* and RG520N-EU modules provide 6 RF cellular antenna interfaces for antenna connection.

It is recommended to reserve a π -type matching circuit for better RF performance, and the π -type matching components (C1, R1, and C2) should be placed as close to the antenna as possible. The capacitors are not mounted by default.

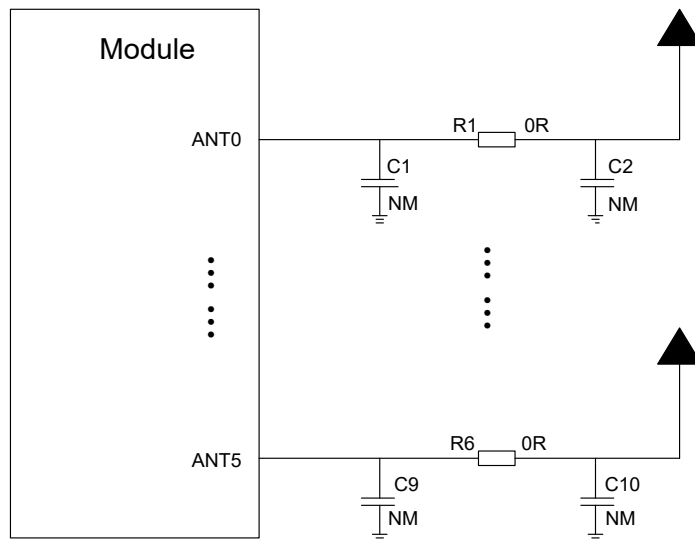


Figure 35: Reference Circuit for RF Antenna Interfaces

NOTE

1. Use a π -type circuit for all the antenna circuits to facilitate future debugging.
2. Keep the impedance of the cellular antennas (ANT0–ANT5) traces as 50 Ω when routing.
3. Keep at least 15 dB isolation between RF antennas to improve the receiving sensitivity, and at least 20 dB isolation between 5G NR UL MIMO antennas.
4. Keep 75 dB isolation between each two antenna traces.
5. Keep digital circuits such as switch mode power supply, (U)SIM card, USB interface, camera module, display connector and SD card away from the antenna traces.

5.2. GNSS

The module includes a fully integrated global navigation satellite system solution that supports GPS, GLONASS, BDS, Galileo and QZSS.

The module supports standard *NMEA-0183 protocol*, and outputs NMEA sentences via USB interface (data update rate: 1–10 Hz, 1 Hz by default).

By default, the module’s GNSS function is switched off. It must be switched on via AT command. For more details about GNSS function’s technology and configurations, please refer to **document [7]**.

5.2.1. Antenna Interface & Frequency Bands

The following table shows the pin definition, frequency, and performance of GNSS antenna interface.

Table 43: Pin Definition of GNSS Antenna Interface

Pin Name	Pin No.	I/O	Description	Comment
ANT_GNSS	193	AI	GNSS antenna interface	50 Ω impedance

Table 44: GNSS Frequency

Type	Frequency	Unit
GPS	1575.42 ±1.023 (GPS L1) 1176.45 ±10.23 (GPS L5)	MHz
GLONASS	1597.5–1605.8	
Galileo	1575.42 ±2.046	
BDS	1561.098 ±2.046	
QZSS	1575.42 (L1) 1176.45 (L5)	

5.2.2. GNSS Performance

Table 45: GNSS Performance

Parameter	Description	Conditions	Typ.	Unit
Sensitivity (GNSS)	Cold start	Autonomous	TBD	dBm
	Reacquisition		TBD	
	Tracking		TBD	
TTFF (GNSS)	Cold start		TBD	s
	@ open sky	XTRA enabled	TBD	
	Warm start	Autonomous	TBD	
	@ open sky	XTRA enabled	TBD	
	Hot start	Autonomous	TBD	
Accuracy (GNSS)	CEP-50	Autonomous	TBD	m
		@ open sky		

NOTE

1. Tracking sensitivity: the lowest GNSS signal value at the antenna port on which the module can keep on positioning for 3 minutes.
2. Re-acquisition sensitivity: the lowest GNSS signal value at the antenna port on which the module can fix position again within 3 minutes after loss of lock.
3. Cold start sensitivity: the lowest GNSS signal value at the antenna port on which the module fixes position within 3 minutes after executing cold start commands.

5.2.3. Reference Design

The following is the reference circuit of GNSS antenna.

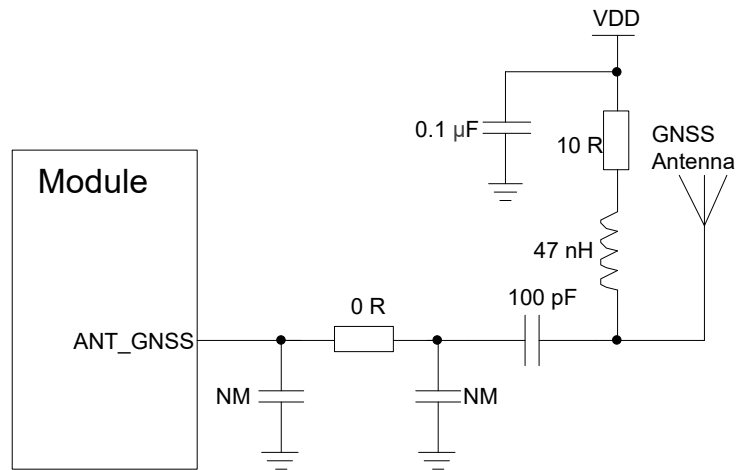


Figure 36: Reference Circuit of GNSS Antenna

NOTE

1. An external LDO can be selected to supply power according to the active antenna requirement.
2. If the module is designed with a passive antenna, then the VDD circuit is not needed.
3. Keep the characteristic impedance for ANT_GNSS trace as 50 Ω.
4. Place the π-type matching components as close to the antenna as possible.
5. Keep Digital circuits such as (U)SIM card, USB interface, camera module, display connector and SD card away from the antenna traces.
6. Keep 75 dB isolation between GNSS and cellular antenna traces.
7. Keep 15 dB isolation between GNSS and cellular antennas to improve the receiving sensitivity.

5.3. Reference Design of RF Routing

For user’s PCB, the characteristic impedance of all RF traces should be controlled to 50 Ω. The impedance of the RF traces is usually determined by the trace width (W), the materials’ dielectric constant, height from the reference ground to the signal layer (H), and the space between RF traces and grounds (S). Microstrip or coplanar waveguide is typically used in RF layout to control characteristic impedance. The following are reference designs of microstrip or coplanar waveguide with different PCB structures.

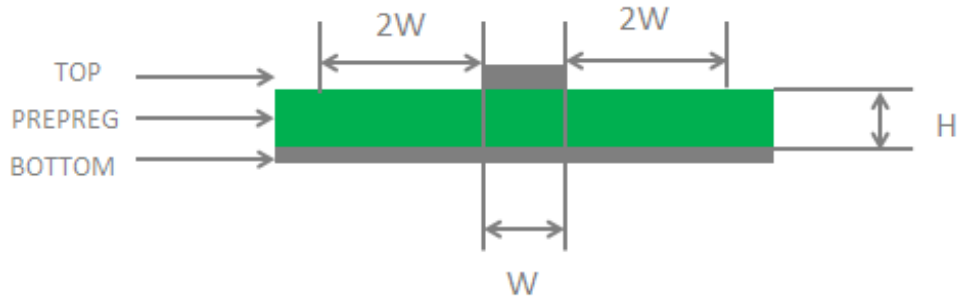


Figure 37: Microstrip Design on a 2-layer PCB

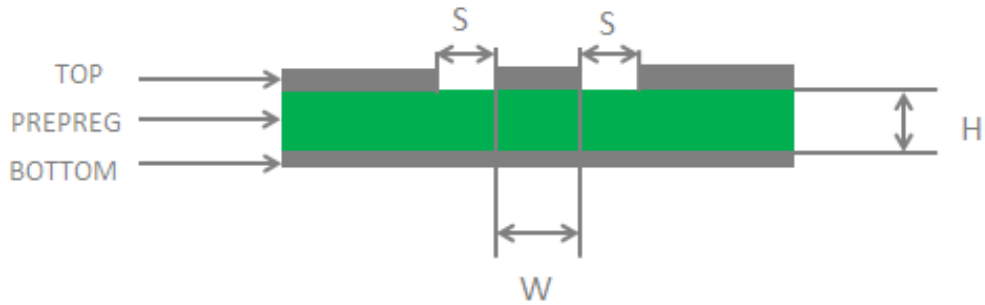


Figure 38: Coplanar Waveguide Design on a 2-layer PCB

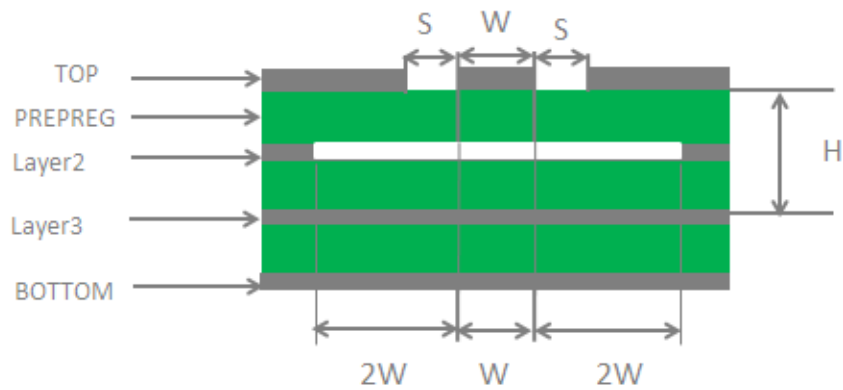


Figure 39: Coplanar Waveguide Design on a 4-layer PCB (Layer 3 as Reference Ground)

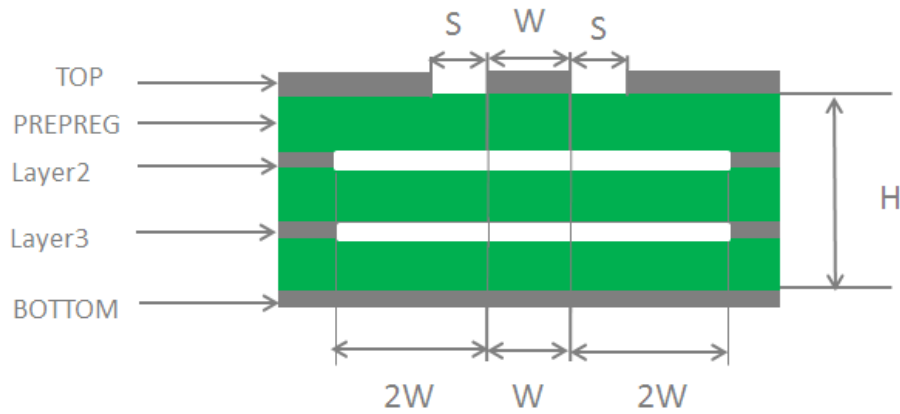


Figure 40: Coplanar Waveguide Design on a 4-layer PCB (Layer 4 as Reference Ground)

In order to ensure RF performance and reliability, the following principles should be complied with in RF layout design:

- Use an impedance simulation tool to accurately control the characteristic impedance of RF traces to 50 Ω.
- The GND pins adjacent to RF pins should not be designed as thermal relief pads, and should be fully connected to ground.
- The distance between the RF pins and the RF connector should be as short as possible, and all the right-angle traces should be changed to curved ones.
- There should be clearance under the signal pin of the antenna connector or solder joint.
- The reference ground of RF traces should be complete. Meanwhile, ground vias around RF traces and the reference ground improves RF performance. The distance between the ground vias and RF traces should be more than two times the width of RF signal traces ($2 \times W$).

For more details about RF layout, please refer to **document [8]**.

5.4. Antenna Requirements

Table 46: Antenna Requirements

Antenna Type	Requirements
GNSS	<ul style="list-style-type: none"> ● Frequency range 1: 1559–1606 MHz ● Frequency range 2: 1166–1187 MHz ● Polarization: RHCP or linear ● VSWR: < 2 (Typ.) ● Passive antenna gain: > 0 dBi ● Active antenna noise figure: < 1.5 dB ● Active antenna gain: > -2 dBi ● Active antenna embedded LNA gain: 17 dB
5G NR/LTE/WCDMA	<ul style="list-style-type: none"> ● VSWR: ≤ 2 ● Efficiency: > 30 % ● Gain: 1 dBi ● Max input power: 50 W ● Input impedance: 50 Ω ● Polarization: Vertical ● Cable insertion loss: <ul style="list-style-type: none"> - < 1 dB: LB (<1 GHz) - < 1.5 dB: MB (1–2.3 GHz) - < 2 dB: HB (> 2.3 GHz)

5.5. RF Connector Recommendation

The receptacle dimensions are illustrated as below.

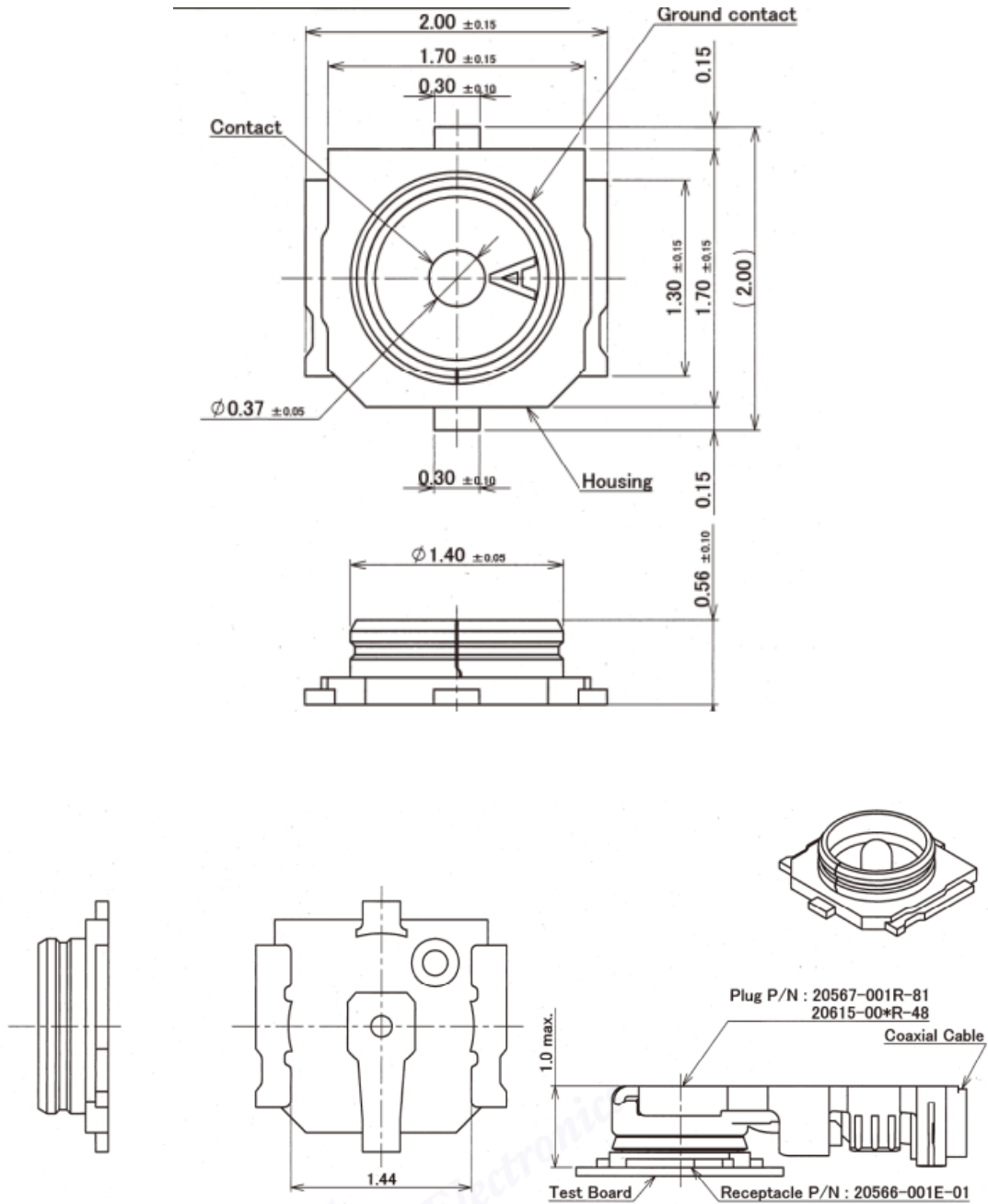


Figure 41: Dimensions of the Receptacles (Unit: mm)

The following figure shows the specifications of mating plugs using Ø0.81 mm coaxial cables.

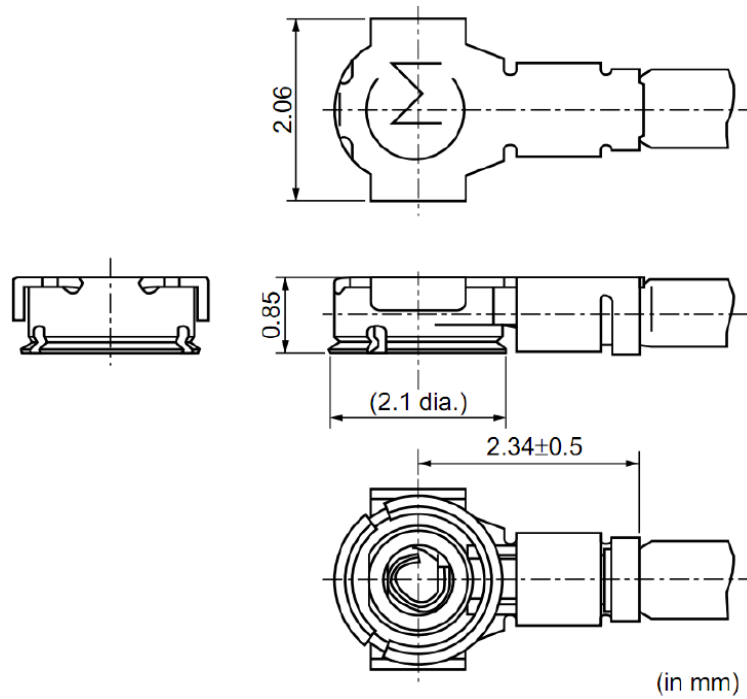


Figure 42: Specifications of Mating Plugs Using Ø0.81 mm Coaxial Cables (Unit: mm)

5.5.1. Recommended RF Connector for Installation

5.5.1.1. Assemble Coaxial Cable Plug Manually

The illustration for plugging in a coaxial cable plug is shown below, $\theta = 90^\circ$ is acceptable, while $\theta \neq 90^\circ$ is not.

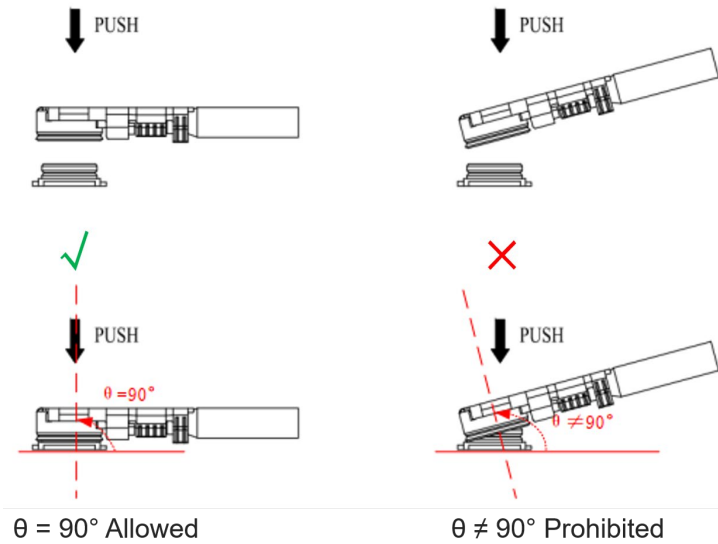


Figure 43: Plug in a Coaxial Cable Plug

The illustration of pulling out the coaxial cable plug is shown below, $\theta = 90^\circ$ is acceptable, while $\theta \neq 90^\circ$ is not.

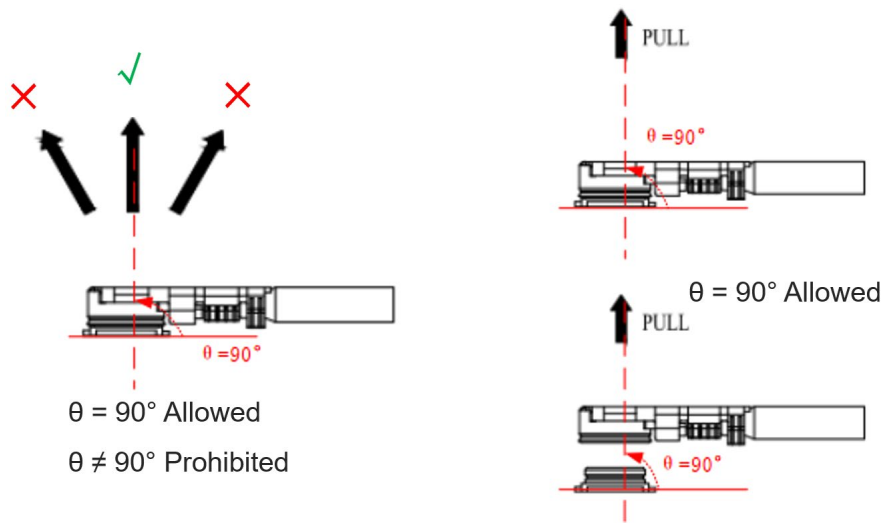


Figure 44: Pull out a Coaxial Cable Plug

5.5.1.2. Assemble Coaxial Cable Plug with Fixture

The pictures of installing the coaxial cable plug with a fixture is shown below, $\theta = 90^\circ$ is acceptable, while $\theta \neq 90^\circ$ is not.

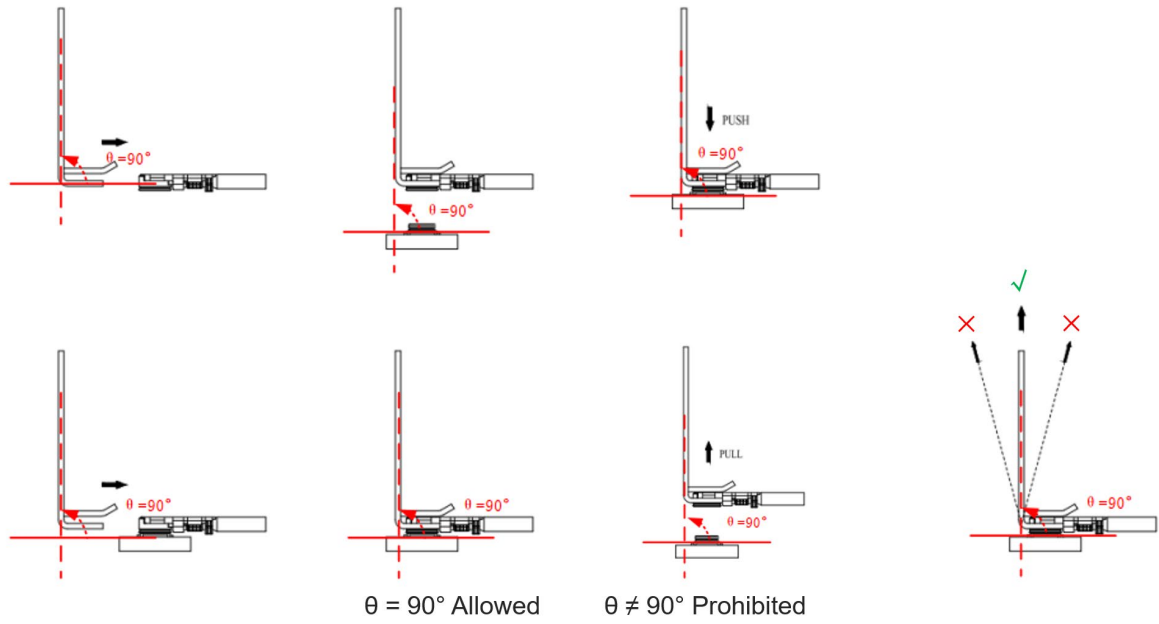


Figure 45: Install the Coaxial Cable Plug with Fixture

5.5.2. Recommended Manufacturers of RF Connector and Cable

For more details, visit <https://www.i-pex.com>.

6 Electrical Characteristics & Reliability

6.1. Absolute Maximum Ratings

Absolute maximum ratings for power supply and voltage on digital and analog pins of the module are listed in the following table.

Table 47: Absolute Maximum Ratings

Parameter	Min.	Max.	Unit
VBAT_RF/VBAT_BB	-0.5	6.0	V
USB_VBUS	-0.3	5.5	V
Peak Current of VBAT_BB	-	TBD	A
Peak Current of VBAT_RF	-	TBD	A
Voltage on Digital Pins	-0.5	2.2	V
Voltage at ADC0	-0.5	2.2	V

6.2. Power Supply Ratings

Table 48: Module Power Supply Ratings

Parameter	Description	Conditions	Min.	Typ.	Max.	Unit
VBAT	VBAT_BB and VBAT_RF	The actual input voltages must stay between the minimum and maximum values	3.3	3.8	4.4	V
USB_VBUS	USB connection detection		3.3	5.0	5.25	V

6.3. Power Consumption

Table 49: Averaged Power Consumption for the Module

Mode	Conditions	Band/Combinations	Current	Unit
Power-off	Power off	-	TBD	μA
RF Disabled	AT+CFUN=0 (USB 3.0 suspend)	-	TBD	mA
	AT+CFUN=4 (USB 3.0 suspend)	-	TBD	mA
Sleep State	SA FDD PF = 64 (USB 3.0 suspend)	-	TBD	mA
	SA TDD PF = 64 (USB 3.0 suspend)	-	TBD	mA
Idle State	SA PF = 64 (USB 2.0 active)	-	TBD	mA
	SA PF = 64 (USB 3.0 active)	-	TBD	mA
LTE	LTE LB @ 23 dBm	TBD	TBD	mA
	LTE MB @ 23 dBm	TBD	TBD	mA
	LTE HB @ 23 dBm	TBD	TBD	mA
LTE CA	DL 3CA, 256QAM	TBD	TBD	mA
	UL 1CA, 256QAM			

	Tx power @ 23 dBm				
5G SA (1 Tx)	5G NR LB @ 23 dBm	TBD	TBD		mA
	5G NR MB @ 23 dBm	TBD	TBD		mA
	5G NR HB @ 23 dBm	TBD	TBD		mA
	5G NR UHB @ 26 dBm	TBD	TBD		mA
5G SA (2 Tx)	5G NR UL 2 × 2 MIMO @ 26 dBm	TBD	TBD		mA
5G SA CA	DL 2CA, 256QAM				
	UL 1CA, 256QAM	TBD	TBD		mA
	Tx power @ 26 dBm				
LTE + 5G EN-DC	LTE DL, 256QAM				
	LTE UL QPSK				
	NR DL, 256QAM	TBD	TBD		mA
	NR UL QPSK				
	LTE Tx Power @ 23 dBm				
	NR Tx Power @ 23 dBm				

6.4. Digital I/O Characteristic

Table 50: 1.8 V I/O Requirements

Parameter	Description	Min.	Max.	Unit
V _{IH}	Input high voltage	1.26	2.1	V
V _{IL}	Input low voltage	-0.3	0.54	V
V _{OH}	Output high voltage	1.35	1.8	V
V _{OL}	Output low voltage	0	0.45	V

Table 51: (U)SIM 1.8 V I/O Requirements

Parameter	Description	Min.	Max.	Unit
USIM_VDD	Power supply	1.65	1.95	V
V _{IH}	Input high voltage	1.26	2.1	V
V _{IL}	Input low voltage	-0.3	0.36	V
V _{OH}	Output high voltage	1.44	1.8	V
V _{OL}	Output low voltage	0.0	0.4	V

Table 52: (U)SIM 2.95 V I/O Requirements

Parameter	Description	Min.	Max.	Unit
USIM_VDD	Power supply	2.7	3.05	V
V _{IH}	Input high voltage	2.06	3.25	V
V _{IL}	Input low voltage	-0.3	0.59	V
V _{OH}	Output high voltage	2.36	2.95	V
V _{OL}	Output low voltage	0.0	0.4	V

6.5. ESD Protection

If the static electricity generated by various ways discharges to the module, the module maybe damaged to a certain extent. Thus, please take proper ESD countermeasures and handling methods. For example, wearing anti-static gloves during the development, production, assembly and testing of the module; adding ESD protective components to the ESD sensitive interfaces and points in the product design.

Table 53: Electrostatics Discharge Characteristics (25 °C, 45 % Relative Humidity)

Tested Interfaces	Contact Discharge	Air Discharge	Unit
VBAT, GND	±5	±10	kV
All Antenna Interfaces	±4	±8	kV

Other Interfaces	±0.5	±1	kV
------------------	------	----	----

6.6. Operating and Storage Temperatures

Table 54: Operating and Storage Temperatures

Parameter	Min.	Typ.	Max.	Unit
Operating Temperature Range ¹²	-30	+25	+75	°C
Extended Operating Temperature Range ¹³	-40	-	+85	°C
Storage temperature range	-40	-	+90	°C

6.7. Thermal Consideration

In order to achieve better performance of the module, it is recommended to comply with the following principles for thermal consideration:

- On customer’s PCB design, keep the module away from heat sources, especially high-power components such as processor, power amplifier, and power supply.
- Do not place large size components in the area where the module is located on the PCB, in order to facilitate the installation of heatsink.
- Maintain the integrity of the PCB copper layer and place as many thermal vias as possible.
- Considering the heat dissipation characteristics of the module, the heatsink should be attached on the top of the module.
- The heatsink should be designed with adequate fins to dissipate heat, and TIM (Thermal Interface Material) in contact between the heat sink and the module should have high thermal conductivity, good softness and good wettability.
- The heatsink should be fastened with four screws to ensure that it is in close contact with the module, so as to prevent the heatsink from falling off during the drop, vibration test, and transportation.

The following figures show the placement and fixing of the heat sink for reference.

¹² To meet this operating temperature range, you need to ensure effective thermal dissipation, for example, by adding passive or active heatsinks, heat pipes, vapor chambers, etc. Within this range, the module can meet 3GPP specifications.

¹³ To meet this extended temperature range, you need to ensure effective thermal dissipation, for example, by adding passive or active heatsinks, heat pipes, vapor chambers, etc. Within this range, the module remains the ability to establish and maintain functions such as voice, SMS, etc., without any unrecoverable malfunction. Radio spectrum and radio network are not influenced, while one or more specifications, such as P_{out}, may undergo a reduction in value, exceeding the specified tolerances of 3GPP. When the temperature returns to the normal operating temperature level, the module will meet 3GPP specifications again.

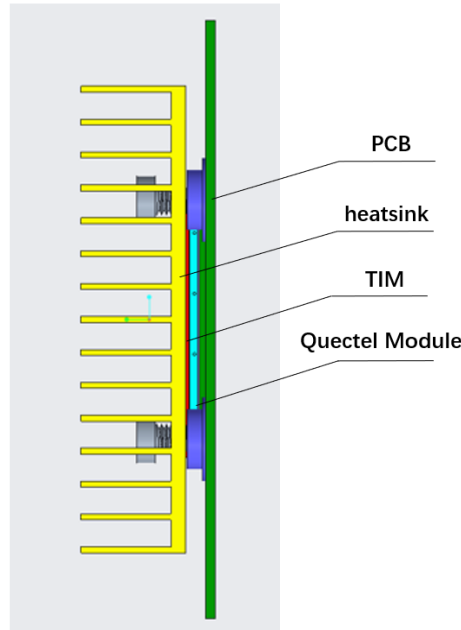


Figure 46: Heatsink Placement

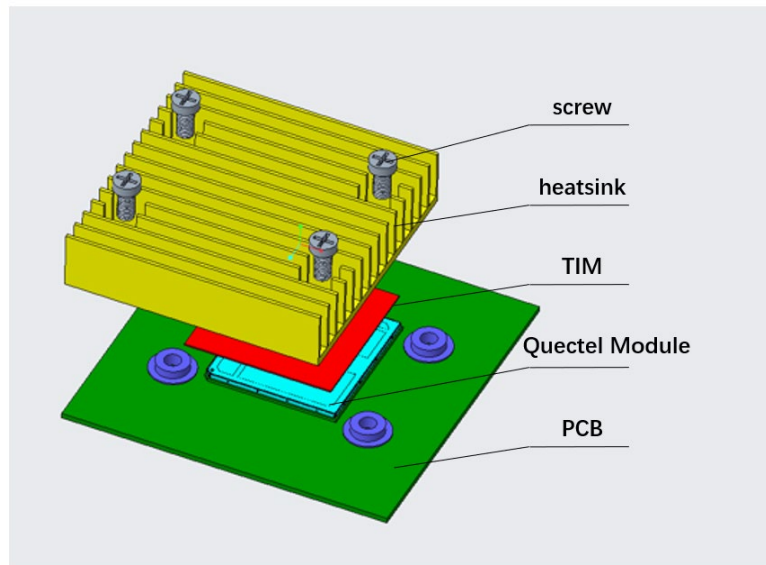


Figure 47: Heatsink Fixing

The module offers the best performance when the internal IC chips stay below its maximum junction temperature, When IC reaches or exceeds this temperature, the module may still work but the performance and function (such as RF output power, data rate, etc.) will be affected to a certain extent. Therefore, the thermal design should be maximally optimized to make sure all internal ICs temperature always maintains below the maximum junction temperature with enough margin.

7 Mechanical Information

This chapter describes the mechanical dimensions of the module. All dimensions are measured in millimeter (mm), and the dimensional tolerances are ± 0.2 mm unless otherwise specified.

7.1. Mechanical Dimensions

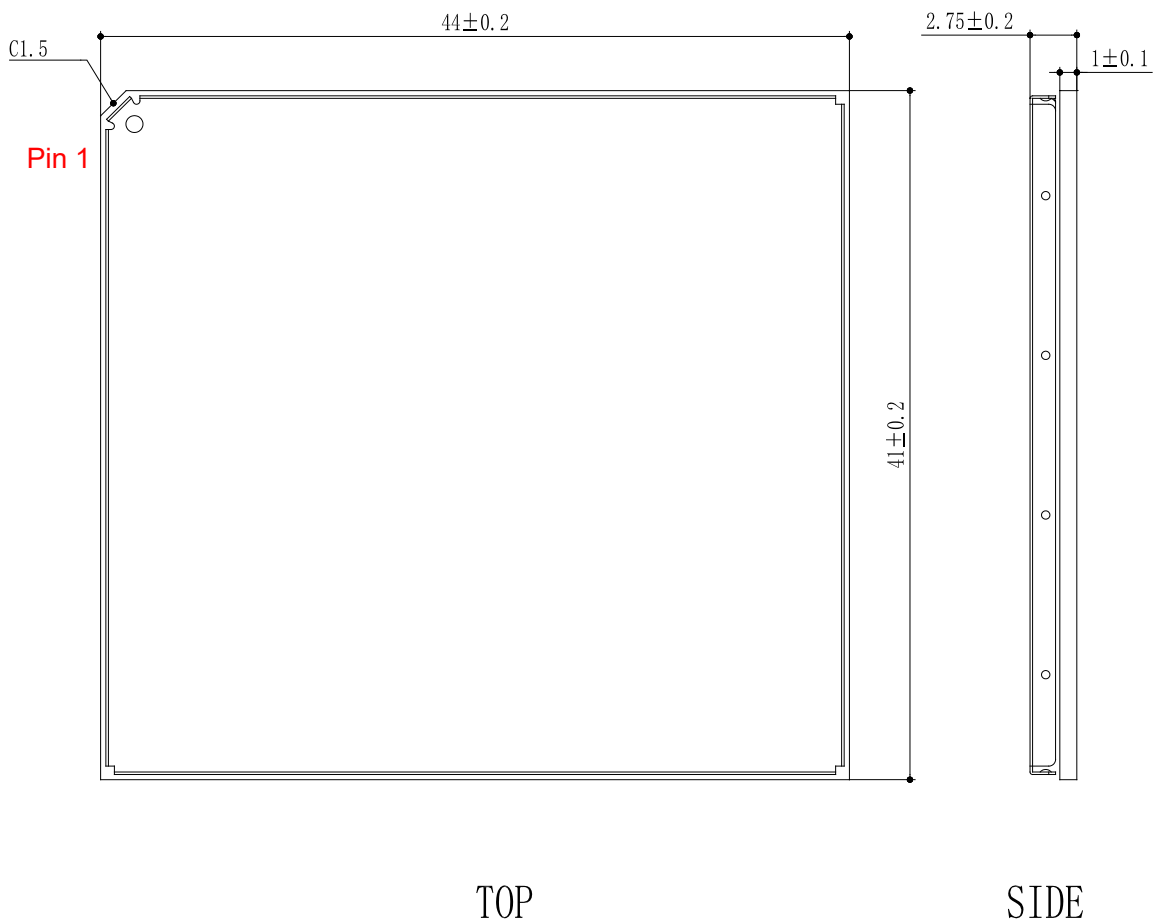


Figure 48: Module Top and Side Dimensions (Unit: mm)

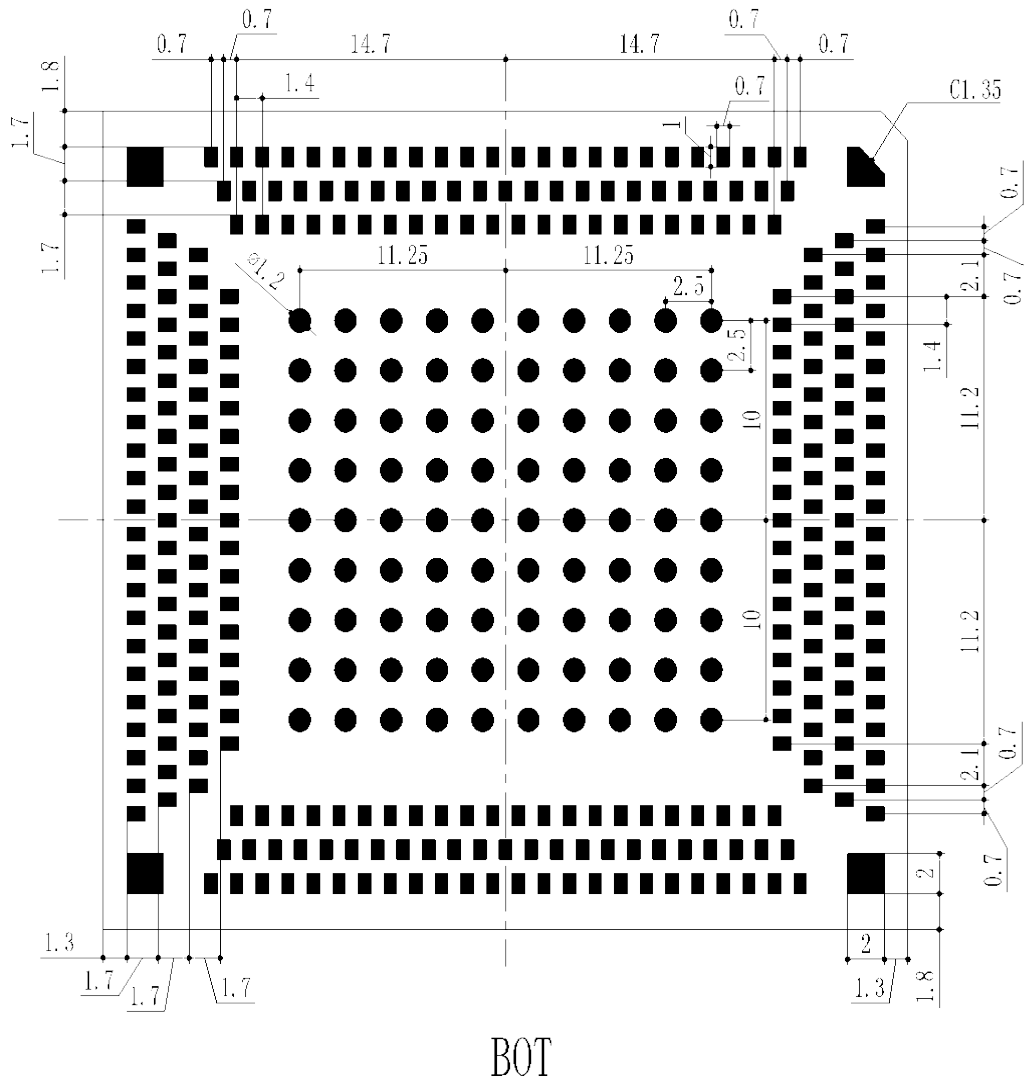


Figure 49: Module Bottom Dimensions (Bottom View, Unit: mm)

NOTE

The package warpage level of the module conforms to the *JEITA ED-7306* standard.

7.2. Recommended Footprint

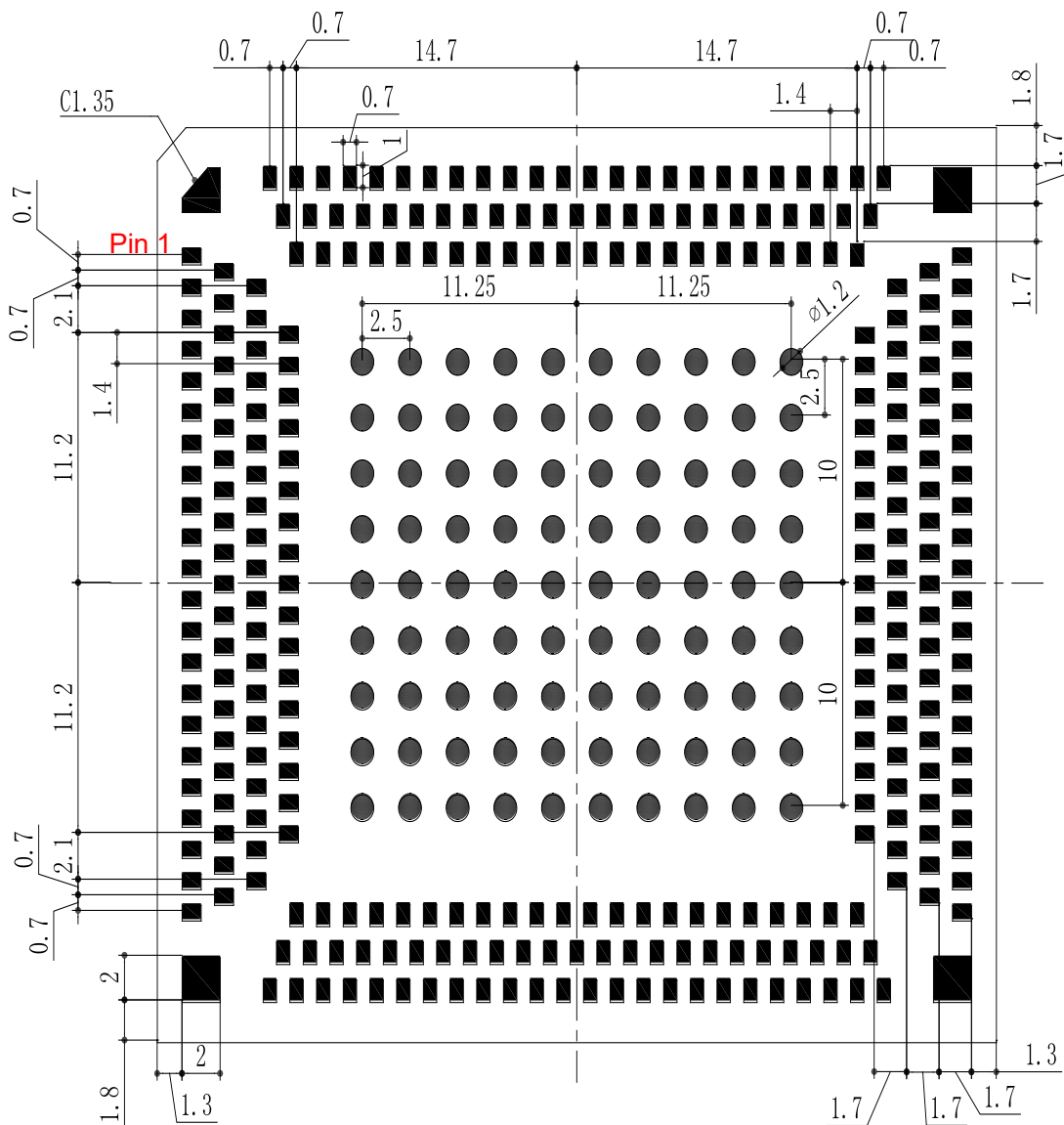


Figure 50: Recommended Footprint

NOTE

1. Keep at least 3 mm between the module and other components on the motherboard to improve soldering quality and maintenance convenience.
2. To keep the reliability of the mounting and soldering, keep the motherboard thickness as at least 1.2 mm.

7.3. Top and Bottom Views

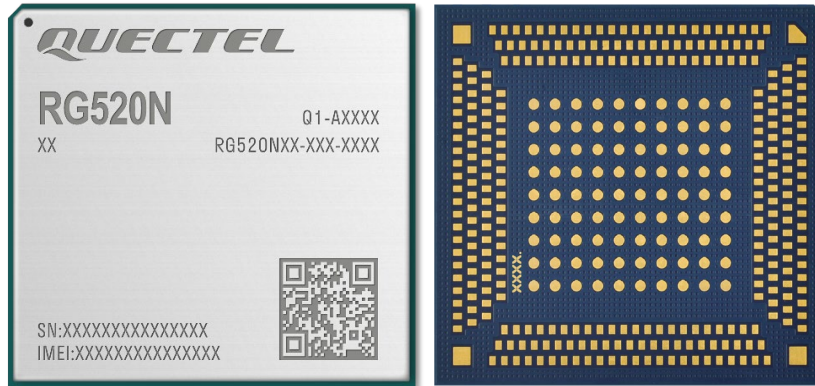


Figure 51: Top & Bottom Views of RG520N Series



Figure 52: Top & Bottom Views of RG520F Series

NOTE

Images above are for illustration purpose only and may differ from the actual module. For authentic appearance and label, please refer to the module received from Quectel.

8 Storage, Manufacturing & Packaging

8.1. Storage Conditions

The module is provided with vacuum-sealed packaging. MSL of the module is rated as 3. The storage requirements are shown below.

1. Recommended Storage Condition: The temperature should be 23 ± 5 °C and the relative humidity should be 35–60 %.
2. The storage life (in vacuum-sealed packaging) is 12 months in recommended storage condition.
3. The floor life of the module is 168 hours ¹⁴ in a plant where the temperature is 23 ± 5 °C and relative humidity is below 60 %. After the vacuum-sealed packaging is removed, the module must be processed in reflow soldering or other high-temperature operations within 168 hours. Otherwise, the module should be stored in an environment where the relative humidity is less than 10 % (e.g. a drying cabinet).
4. The module should be pre-baked to avoid blistering, cracks and inner-layer separation in PCB under the following circumstances:
 - The module is not stored in recommended storage condition;
 - Violation of the third requirement above occurs;
 - Vacuum-sealed packaging is broken, or the packaging has been removed for over 24 hours;
 - Before module repairing.
5. If needed, the pre-baking should follow the requirements below:
 - The module should be baked for 8 hours at 120 ± 5 °C;
 - All modules must be soldered to PCB within 24 hours after the baking, otherwise they should be put in a dry environment such as in a drying oven.

¹⁴ This floor life is only applicable when the environment conforms to *IPC/JEDEC J-STD-033*. It is recommended to start the solder reflow process within 24 hours after the package is removed if the temperature and moisture do not conform to, or are not sure to conform to *IPC/JEDEC J-STD-033*. And do not remove the packages of tremendous modules if they are not ready for soldering.

NOTE

1. To avoid blistering, layer separation and other soldering issues, extended exposure of the module to the air is forbidden.
2. Take out the module from the package and put it on high-temperature-resistant fixtures before baking. All modules must be soldered to PCB within 24 hours after the baking, otherwise put them in the drying oven. If shorter baking time is desired, see *IPC/JEDEC J-STD-033* for the baking procedure.
3. Pay attention to ESD protection, such as wearing anti-static gloves, when touching the modules.

8.2. Manufacturing and Soldering

Push the squeegee to apply the solder paste on the surface of stencil, thus making the paste fill the stencil openings and then penetrate to the PCB. Apply proper force on the squeegee to produce a clean stencil surface on a single pass. To guarantee module soldering quality, the thickness of stencil for the module is recommended to be 0.15–0.18 mm. For more details, please refer to **document [9]**.

The peak reflow temperature should be 235–246 °C, with 246 °C as the absolute maximum reflow temperature. To avoid damage to the module caused by repeated heating, it is strongly recommended that the module should be mounted only after reflow soldering for the other side of PCB has been completed. The recommended reflow soldering thermal profile (lead-free reflow soldering) and related parameters are shown below.

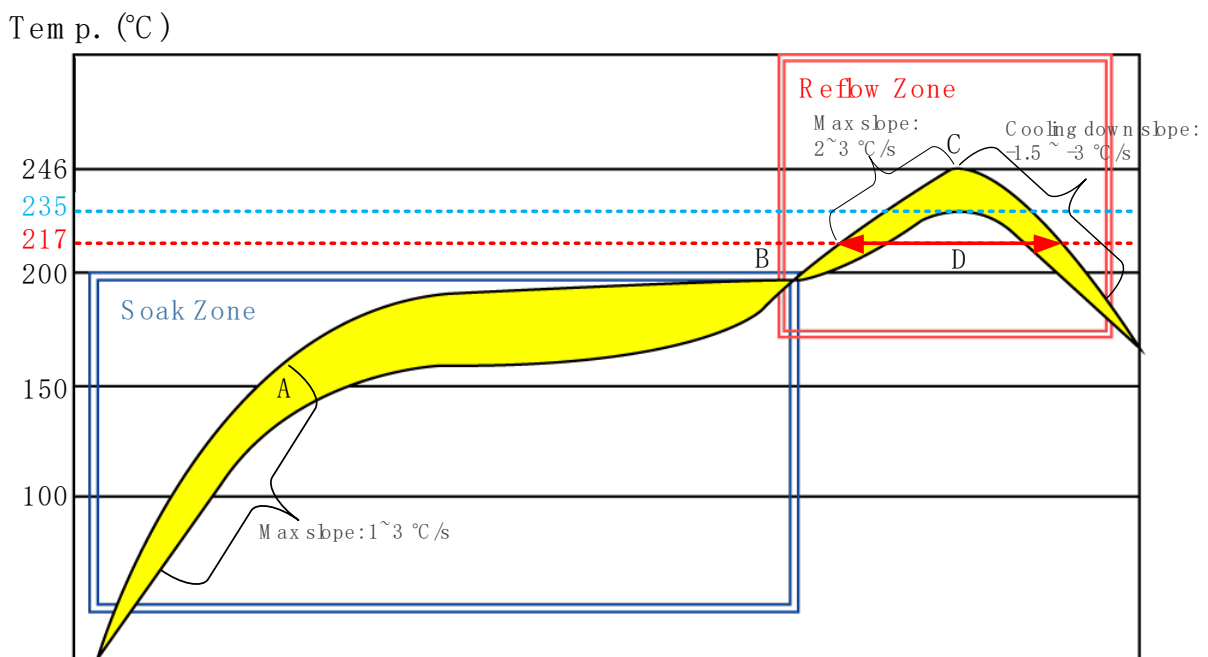


Figure 53: Recommended Reflow Soldering Thermal Profile

Table 55: Recommended Thermal Profile Parameters

Factor	Recommendation
Soak Zone	
Max slope	1 to 3 °C/s
Soak time (between A and B: 150 °C and 200 °C)	70 to 120 s
Reflow Zone	
Max slope	2 to 3 °C/s
Reflow time (D: over 217° C)	40 to 70 s
Max temperature	235 to 246 °C
Cooling down slope	-1.5 to -3 °C/s
Reflow Cycle	
Max reflow cycle	1

NOTE

1. If a conformal coating is necessary for the module, do NOT use any coating material that may chemically react with the PCB or shielding cover, and prevent the coating material from flowing into the module.
2. Avoid using ultrasonic technology for module cleaning since it can damage crystals inside the module.
3. Due to the complexity of the SMT process, please contact Quectel Technical Supports in advance for any situation that you are not sure about, or any process (e.g. selective soldering, ultrasonic soldering) that is not mentioned in **document [9]**.

8.3. Packaging Specifications

The module adopts carrier tape packaging and details are as follow:

8.3.1. Carrier Tape

Dimension details are as follow:

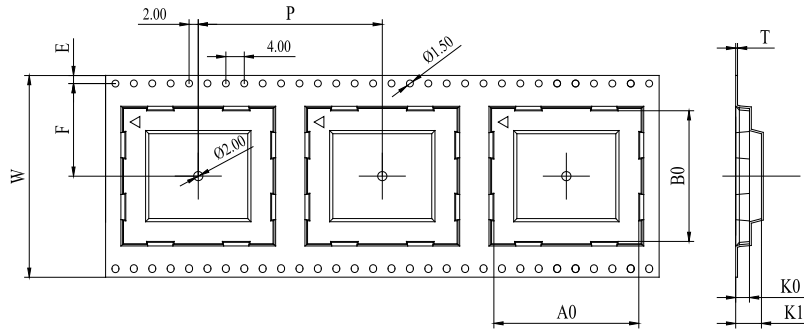


Figure 54: Carrier Tape Dimension Drawing

Table 56: Carrier Tape Dimension Table (Unit: mm)

W	P	T	A0	B0	K0	K1	F	E
72	56	0.4	44.7	41.7	4.2	5.2	34.2	1.75

8.3.2. Plastic Reel

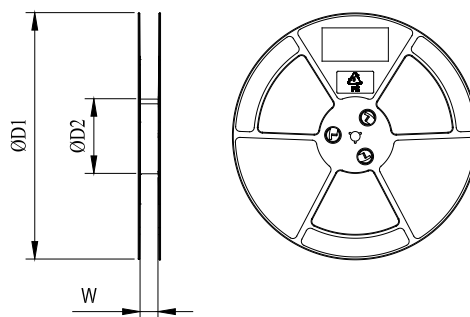
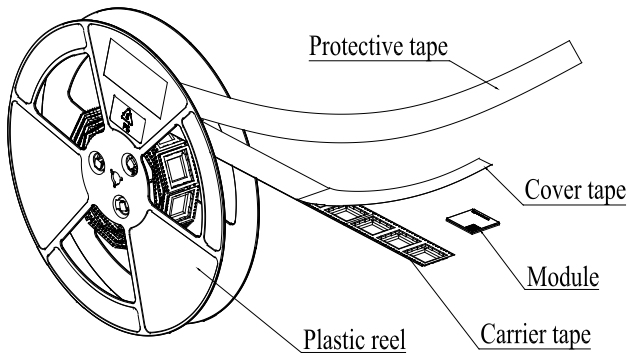


Figure 55: Plastic Reel Dimension Drawing

Table 57: Plastic Reel Dimension Table (Unit: mm)

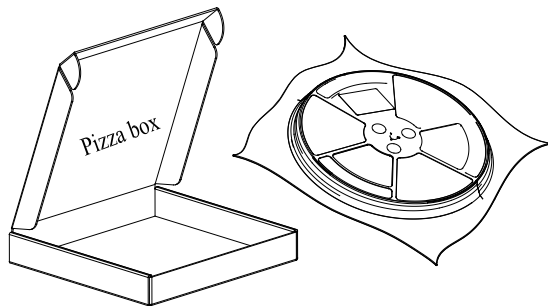
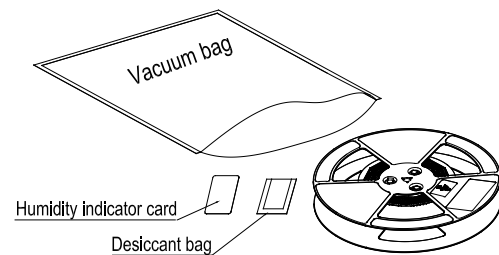
øD1	øD2	W
380	180	72.5

8.3.3. Packaging Process



Place the module into the carrier tape and use the cover tape to cover them; then wind the heat-sealed carrier tape to the plastic reel and use the protective tape for protection. One plastic reel can load 200 modules.

Place the packaged plastic reel, humidity indicator card and desiccant bag into a vacuum bag, then vacuumize it.



Place the vacuum-packed plastic reel into a pizza box.

Put 4 pizza boxes into 1 carton and seal it. One carton can pack 800 modules.

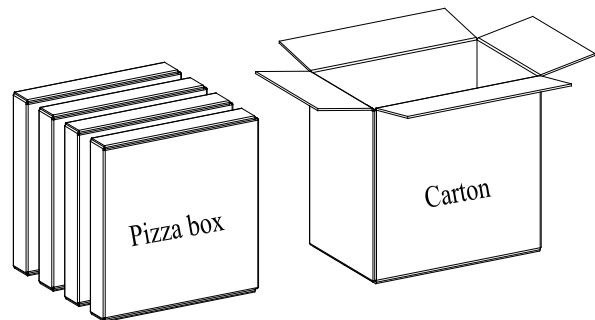


Figure 56: Packaging Process

9 Appendix A References

Table 58: Related Documents

Document Name
[1] Quectel_RG520N-EU_CA&EN-DC_Features
[2] Quectel_RG520N-NA_CA&EN-DC_Features
[3] Quectel_RG520F-EU_CA&EN-DC_Features
[4] Quectel_RG520F-NA_CA&EN-DC_Features
[5] Quectel_5G_EVB_User_Guide
[6] Quectel_RG520N&RG5x0F&RM5x0N&RM5x0F_Series_AT_Commands_Manual
[7] Quectel_RG520N&RG5x0F&RM5x0N&RM5x0F_Series_GNSS_Application_Note
[8] Quectel_RF_Layout_Application_Note
[9] Quectel_Module_Secondary_SMT_Application_Note
[10] Quectel_RG520F&RG520N_Series_Reference_Design

Table 59: Terms and Abbreviations

Abbreviation	Description
1PPS	1 Pulse Per Second
ADC	Analog-to-Digital Converter
AMR-WB	Adaptive Multi-Rate Wideband
AON	Active Optical Network
AP	Application Processor
bps	Bits Per Second

BPSK	Binary Phase Shift Keying
CA	Carrier Aggregation
CTS	Clear To Send
DAI	Digital Audio Interface
DCE	Data Communications Equipment
DC-HSDPA	Dual-carrier High Speed Downlink Packet Access
DDR	Double Data Rate
DFOTA	Delta Firmware Upgrade Over The Air
DL	Downlink
DRX	Discontinuous Reception
DRX	Diversity Receive
DTE	Data Terminal Equipment
DTR	Data Terminal Ready
ESD	Electrostatic Discharge
FDD	Frequency Division Duplex
FEM	Front-End Module
GLONASS	Global Navigation Satellite System (Russia)
GNSS	Global Navigation Satellite System
GPS	Global Positioning System
GRFC	General RF Control
HB	High Band
HPUE	High Power User Equipment
HSDPA	High Speed Downlink Packet Access
HSPA	High Speed Packet Access
HSUPA	High Speed Uplink Packet Access

IC	Integrated Circuit
I2C	Inter-Integrated Circuit
I2S	Inter-IC Sound
I/O	Input/Output
LAA	License Assisted Access
LB	Low Band
LED	Light Emitting Diode
LGA	Land Grid Array
LMHB	Low/Middle/High Band
LNA	Low Noise Amplifier
LTE	Long Term Evolution
MAC	Media Access Control
MB	Middle Band
MHB	Middle/High Band
MIMO	Multiple Input Multiple Output
MO	Mobile Originated
MT	Mobile Terminated
NR	New Radio
NSA	Non-Stand Alone
PA	Power Amplifier
PAP	Password Authentication Protocol
PC	Personal Computer
PCB	Printed Circuit Board
PCIe	Peripheral Component Interconnect Express
PCM	Pulse Code Modulation

PDA	Personal Digital Assistant
PDU	Protocol Data Unit
PHY	Physical Layer
PRX	Primary Receive
QAM	Quadrature Amplitude Modulation
QPSK	Quadrature Phase Shift Keying
QZSS	Quasi-Zenith Satellite System
RF	Radio Frequency
RGMII	Reduced Gigabit Media Independent Interface
RHCP	Right Hand Circularly Polarized
Rx	Receive
SA	Stand Alone
SCS	Sub-Carrier Space
SD	Secure Digital
SIB	System Information Block
SIMO	Single Input Multiple Output
SMD	Surface Mount Device
SMS	Short Message Service
SoC	System on a Chip
SPI	Serial Peripheral Interface
STB	Set Top Box
TDD	Time Division Duplexing
TRX	Transmit & Receive
Tx	Transmit
UART	Universal Asynchronous Receiver/Transmitter

UHB	Ultra High Band
UL	Uplink
UMTS	Universal Mobile Telecommunications System
URC	Unsolicited Result Code
USB	Universal Serial Bus
(U)SIM	Universal Subscriber Identity Module
VBAT	Voltage at Battery (Pin)
V_{IHmax}	Maximum High-level Input Voltage
V_{IHmin}	Minimum High-level Input Voltage
V_{ILmax}	Maximum Low-level Input Voltage
V_{ILmin}	Minimum Low-level Input Voltage
V_{max}	Maximum Voltage
V_{min}	Minimum Voltage
V_{nom}	Nominal Voltage
V_{OHmax}	Maximum High-level Output Voltage
V_{OHmin}	Minimum High-level Output Voltage
V_{OLmax}	Maximum Low-level Output Voltage
VSWR	Voltage Standing Wave Ratio
WCDMA	Wideband Code Division Multiple Access
WLAN	Wireless Local Area Network
WWAN	Wireless Wide Area Network

10 Appendix B Operating Frequency

Table 60: Operating Frequencies (5G)

5G	Duplex Mode	Uplink Operating Band	Downlink Operating Band	Unit
n1	FDD	1920–1980	2110–2170	MHz
n2	FDD	1850–1910	1930–1990	MHz
n3	FDD	1710–1785	1805–1880	MHz
n5	FDD	824–849	869–894	MHz
n7	FDD	2500–2570	2620–2690	MHz
n8	FDD	880–915	925–960	MHz
n12	FDD	699–716	729–746	MHz
n13	FDD	777–787	746–756	MHz
n14	FDD	788–798	758–768	MHz
n18	FDD	815–830	860–875	MHz
n20	FDD	832–862	791–821	MHz
n24	FDD	1626.5–1660.5	1525–1559	MHz
n25	FDD	1850–1915	1930–1995	MHz
n26	FDD	814–849	859–894	MHz
n28	FDD	703–748	758–803	MHz
n29	SDL	-	717–728	MHz
n30	FDD	2305–2315	2350–2360	MHz
n34	TDD	2010–2025	2010–2025	MHz
n38	TDD	2570–2620	2570–2620	MHz

5G	Duplex Mode	Uplink Operating Band	Downlink Operating Band	Unit
n39	TDD	1880–1920	1880–1920	MHz
n40	TDD	2300–2400	2300–2400	MHz
n41	TDD	2496–2690	2496–2690	MHz
n46	TDD	5150–5925	5150–5925	MHz
n47	TDD	5855–5925	5855–5925	MHz
n48	TDD	3550–3700	3550–3700	MHz
n50	TDD	1432–1517	1432–1517	MHz
n51	TDD	1427–1432	1427–1432	MHz
n53	TDD	2483.5–2495	2483.5–2495	MHz
n65	FDD	1920–2010	2110–2200	MHz
n66	FDD	1710–1780	2110–2200	MHz
n67	SDL	-	738–758	MHz
n70	FDD	1695–1710	1995–2020	MHz
n71	FDD	663–698	617–652	MHz
n74	FDD	1427–1470	1475–1518	MHz
n75	SDL	-	1432–1517	MHz
n76	SDL	-	1427–1432	MHz
n77	TDD	3300–4200	3300–4200	MHz
n78	TDD	3300–3800	3300–3800	MHz
n79	TDD	4400–5000	4400–5000	MHz
n80	SUL	1710–1785	-	MHz
n81	SUL	880–915	-	MHz
n82	SUL	832–862	-	MHz
n83	SUL	703–748	-	MHz
n84	SUL	1920–1980	-	MHz

5G	Duplex Mode	Uplink Operating Band	Downlink Operating Band	Unit
n85	FDD	698–716	728–746	MHz
n86	SUL	1710–1780	-	MHz
n89	SUL	824–849	-	MHz
n90	TDD	2496–2690	2496–2690	MHz
n91	FDD	832–862	1427–1432	MHz
n92	FDD	832–862	1432–1517	MHz
n93	FDD	880–915	1427–1432	MHz
n94	FDD	880–915	1432–1517	MHz
n95	SUL	2010–2025	-	MHz
n96	TDD	5925–7125	5925–7125	MHz
n97	SUL	2300–2400	-	MHz
n98	SUL	1880–1920	-	MHz
n99	SUL	1626.5–1660.5	-	MHz
n257	-	26.50–29.50	26.50–29.50	GHz
n258	-	24.25–27.50	24.25–27.50	GHz
n260	-	37.00–40.00	37.00–40.00	GHz
n261	-	27.50–28.35	27.50–28.35	GHz

Table 61: Operating Frequencies (2G + 3G + 4G)

2G	3G	4G	Duplex Mode	Uplink	Downlink	Unit
-	B1	B1	FDD	1920–1980	2110–2170	MHz
PCS1900	B2/BC1	B2	FDD	1850–1910	1930–1990	MHz
DCS1800	B3	B3	FDD	1710–1785	1805–1880	MHz
-	B4	B4	FDD	1710–1755	2110–2155	MHz
GSM850	B5/BC0	B5	FDD	824–849	869–894	MHz

-	B6	-	FDD	830–840	875–885	MHz
-	B7	B7	FDD	2500–2570	2620–2690	MHz
EGSM900	B8	B8	FDD	880–915	925–960	MHz
-	B9	B9	FDD	1749.9–1784.9	1844.9–1879.9	MHz
-	B10	B10	FDD	1710–1770	2110–2170	MHz
-	B11	B11	FDD	1427.9–1447.9	1475.9–1495.9	MHz
-	B12	B12	FDD	699–716	729–746	MHz
-	B13	B13	FDD	777–787	746–756	MHz
-	B14	B14	FDD	788–798	758–768	MHz
-	-	B17	FDD	704–716	734–746	MHz
-	-	B18	FDD	815–830	860–875	MHz
-	B19	B19	FDD	830–845	875–890	MHz
-	B20	B20	FDD	832–862	791–821	MHz
-	B21	B21	FDD	1447.9–1462.9	1495.9–1510.9	MHz
-	B22	B22	FDD	3410–3490	3510–3590	MHz
-	-	B24	FDD	1626.5–1660.5	1525–1559	MHz
-	B25	B25	FDD	1850–1915	1930–1995	MHz
-	B26	B26	FDD	814–849	859–894	MHz
-	-	B27	FDD	807–824	852–869	MHz
-	-	B28	FDD	703–748	758–803	MHz
-	-	B29	FDD ¹⁵	-	717–728	MHz
-	-	B30	FDD	2305–2315	2350–2360	MHz
-	-	B31	FDD	452.5–457.5	462.5–467.5	MHz
-	-	B32	FDD ¹⁵	-	1452–1496	MHz
-	B33	B33	TDD	1900–1920	1900–1920	MHz

¹⁵ Restricted to E-UTRA operation when carrier aggregation is configured. The downlink operating band is paired with the uplink operating band (external) of the carrier aggregation configuration that is supporting the configured Pcell.

-	B34	B34	TDD	2010–2025	2010–2025	MHz
-	B35	B35	TDD	1850–1910	1850–1910	MHz
-	B36	B36	TDD	1930–1990	1930–1990	MHz
	B37	B37	TDD	1910–1930	1910–1930	MHz
-	B38	B38	TDD	2570–2620	2570–2620	MHz
-	B39	B39	TDD	1880–1920	1880–1920	MHz
-	B40	B40	TDD	2300–2400	2300–2400	MHz
-	-	B41	TDD	2496–2690	2496–2690	MHz
-	-	B42	TDD	3400–3600	3400–3600	MHz
-	-	B43	TDD	3600–3800	3600–3800	MHz
-	-	B44	TDD	703–803	703–803	MHz
-	-	B45	TDD	1447–1467	1447–1467	MHz
-	-	B46	TDD	5150–5925	5150–5925	MHz
-	-	B47	TDD	5855–5925	5855–5925	MHz
-	-	B48	TDD	3550–3700	3550–3700	MHz
-	-	B50	TDD	1432–1517	1432–1517	MHz
-	-	B51	TDD	1427–1432	1427–1432	MHz
-	-	B52	TDD	3300–3400	3300–3400	MHz
-	-	B65	FDD	1920–2010	2110–2200	MHz
-	-	B66	FDD	1710–1780	2110–2200 ¹⁶	MHz
-	-	B67	FDD ¹⁵	-	738–758	MHz
-	-	B68	FDD	698–728	753–783	MHz
-	-	B69	FDD ¹⁵	-	2570–2620	MHz
-	-	B70	FDD ¹⁷	1695–1710	1995–2020	MHz

¹⁶ The range 2180–2200 MHz of the DL operating band is restricted to E-UTRA operation when carrier aggregation is configured.

¹⁷ The range 2010–2020 MHz of the DL operating band is restricted to E-UTRA operation when carrier aggregation is configured and TX-RX separation is 300 MHz. The range 2005–2020 MHz of the DL operating band is restricted to E-UTRA operation when carrier aggregation is configured and TX-RX separation is 295 MHz.

-	-	B71	FDD	663–698	617–652	MHz
-	-	B72	FDD	451–456	461–466	MHz
-	-	B73	FDD	450–455	460–465	MHz
-	-	B74	FDD	1427–1470	1475–1518	MHz
-	-	B75	FDD ¹⁵	-	1432–1517	MHz
-	-	B76	FDD ¹⁵	-	1427–1432	MHz
-	-	B85	FDD	698–716	728–746	MHz
-	-	B87	FDD	410–415	420–425	MHz
-	-	B88	FDD	412–417	422–427	MHz

OEM/Integrators Installation Manual

Important Notice to OEM integrators 1. This module is limited to OEM installation ONLY. 2. This module is limited to installation in mobile or fixed applications, according to Part 2.1091(b). 3. The separate approval is required for all other operating configurations, including portable configurations with respect to Part 2.1093 and different antenna configurations 4. For FCC Part 15.31 (h) and (k): The host manufacturer is responsible for additional testing to verify compliance as a composite system. When testing the host device for compliance with Part 15 Subpart B, the host manufacturer is required to show compliance with Part 15 Subpart B while the transmitter module(s) are installed and operating. The modules should be transmitting and the evaluation should confirm that the module's intentional emissions are compliant (i.e. fundamental and out of band emissions). The host manufacturer must verify that there are no additional unintentional emissions other than what is permitted in Part 15 Subpart B or emissions are complaint with the transmitter(s) rule(s). The Grantee will provide guidance to the host manufacturer for Part 15 B requirements if needed.

Important Note

notice that any deviation(s) from the defined parameters of the antenna trace, as described by the instructions, require that the host product manufacturer must notify to Quectel that they wish to change the antenna trace design. In this case, a Class II permissive change application is required to be filed by the USI, or the host manufacturer can take responsibility through the change in FCC ID (new application) procedure followed by a Class II permissive change application

End Product Labeling

When the module is installed in the host device, the FCC/IC ID label must be visible through a window on the final device or it must be visible when an access panel, door or cover is easily re-moved. If not, a second label must be placed on the outside of the final device that contains the following text: "Contains FCC ID: XMR2022RG520NNA" "Contains IC: 10224A-2022RG520NA". The FCC ID/IC ID can be used only when all FCC/IC compliance requirements are met.

Antenna

- (1) The antenna must be installed such that 20 cm is maintained between the antenna and users,
- (2) The transmitter module may not be co-located with any other transmitter or antenna.

In the event that these conditions cannot be met (for example certain laptop configurations or co-location with another transmitter), then the FCC/IC authorization is no longer considered valid and the FCC ID/IC ID cannot be used on the final product. In these circumstances, the OEM integrator will be responsible for re-evaluating the end product (including the transmitter) and obtaining a separate FCC/IC authorization.

To comply with FCC regulations limiting both maximum RF output power and human exposure to RF radiation, maximum antenna gain (including cable loss) must not exceed

Manual Information to the End User

The OEM integrator has to be aware not to provide information to the end user regarding how to install or remove this RF module in the user's manual of the end product which integrates this module. The end user manual shall include all required regulatory information/warning as show in this manual

Federal Communication Commission Interference Statement

This device complies with Part 15 of the FCC Rules. Operation is subject to the following two conditions:

(1) This device may not cause harmful interference, and (2) this device must accept any interference received, including interference that may cause undesired operation.

This equipment has been tested and found to comply with the limits for a Class B digital device, pursuant to Part 15 of the FCC Rules. These limits are designed to provide reasonable protection against harmful interference in a residential installation. This equipment generates, uses and can radiate radio frequency energy and, if not installed and used in accordance with the instructions, may cause harmful interference to radio communications. However, there is no guarantee that interference will not occur in a particular installation. If this equipment does cause harmful interference to radio or television reception, which can be determined by turning the equipment off and on, the user is encouraged to try to correct the interference by one of the following measures:

- Reorient or relocate the receiving antenna.
- Increase the separation between the equipment and receiver
- Connect the equipment into an outlet on a circuit different from that to which the receiver is connected.
- Consult the dealer or an experienced radio/TV technician for help.

Any changes or modifications not expressly approved by the party responsible for compliance could void the user's authority to operate this equipment. This transmitter must not be co-located or operating in conjunction with any other antenna or transmitter.

List of applicable FCC rules

This module has been tested and found to comply with part 22, part 24, part 27, part 90, part 96 requirements for Modular Approval.

The modular transmitter is only FCC authorized for the specific rule parts (i.e., FCC transmitter rules) listed on the grant, and that the host product manufacturer is responsible for compliance to any other FCC rules that apply to the host not covered by the modular transmitter grant of certification. If the grantee markets their product as being Part 15 Subpart B compliant (when it also contains unintentional-radiator digital circuitry), then the grantee shall provide a notice stating that the final host product still requires Part 15 Subpart B compliance testing with the modular transmitter installed.

This device is intended only for OEM integrators under the following

conditions: (For module device use)

- 1) The antenna must be installed such that 20 cm is maintained between the antenna and users, and
- 2) The transmitter module may not be co-located with any other transmitter or antenna.

As long as 2 conditions above are met, further transmitter test will not be required. However, the OEM integrator is still responsible for testing their end-product for any additional compliance requirements required with this module installed.

Radiation Exposure Statement

This equipment complies with FCC radiation exposure limits set forth for an uncontrolled environment.

This equipment should be installed and operated with minimum distance 20 cm between the radiator & your body.

Industry Canada Statement

This device complies with Industry Canada's licence-exempt RSSs. Operation is subject to the following two conditions:

- (1) This device may not cause interference; and
- (2) This device must accept any interference, including interference that may cause undesired operation of the device.

Le présent appareil est conforme aux CNR d'Industrie Canada applicables aux appareils radio exempts de licence. L'exploitation est autorisée aux deux conditions suivantes:

- (1) l'appareil ne doit pas produire de brouillage, et
- (2) l'utilisateur de l'appareil doit accepter tout brouillage radioélectrique subi, même si le brouillage est susceptible d'en compromettre le fonctionnement."

Radiation Exposure Statement

This equipment complies with IC radiation exposure limits set forth for an uncontrolled environment. This equipment should be installed and operated with minimum distance 20 cm between the radiator & your body

Déclaration d'exposition aux radiations:

Cet équipement est conforme aux limites d'exposition aux rayonnements ISED établies pour un environnement non contrôlé. Cet équipement doit être installé et utilisé avec un minimum de 20 cm de distance entre la source de rayonnement et votre corps.

This device is intended only for OEM integrators under the following conditions: (For module device use)

- 1) The antenna must be installed such that 20 cm is maintained between the antenna and users, and
- 2) The transmitter module may not be co-located with any other transmitter or antenna. As long as 2 conditions above are met, further transmitter test will not be required. However, the OEM integrator is still responsible for testing their end-product for any additional compliance requirements required with this module installed.

Cet appareil est conçu uniquement pour les intégrateurs OEM dans les conditions suivantes: (Pour utilisation de dispositif module)

- 1) L'antenne doit être installée de telle sorte qu'une distance de 20 cm est respectée entre l'antenne et les utilisateurs, et
- 2) Le module émetteur peut ne pas être coïmplanté avec un autre émetteur ou antenne.

Tant que les 2 conditions ci-dessus sont remplies, des essais supplémentaires sur l'émetteur ne seront pas nécessaires. Toutefois, l'intégrateur OEM est toujours responsable des essais sur son produit final pour toutes exigences de conformité supplémentaires requis pour ce module installé.

IMPORTANT NOTE:

In the event that these conditions cannot be met (for example certain laptop configurations or colocation with another transmitter), then the Canada authorization is no longer considered valid and the IC ID cannot be used on the final product. In these circumstances, the OEM integrator will be responsible for re-evaluating the end product (including the transmitter) and obtaining a separate Canada authorization.

NOTE IMPORTANTE:

Dans le cas où ces conditions ne peuvent être satisfaites (par exemple pour certaines configurations d'ordinateur portable ou de certaines co-localisation avec un autre émetteur), l'autorisation du Canada n'est plus considéré comme valide et l'ID IC ne peut pas être utilisé sur le produit final. Dans ces circonstances, l'intégrateur OEM sera chargé de réévaluer le produit final (y compris l'émetteur) et l'obtention d'une autorisation distincte au Canada.

End Product Labeling

This transmitter module is authorized only for use in device where the antenna may be installed such that 20 cm may be maintained between the antenna and users. The final end product must be labeled in a visible area with the following: "Contains IC: 10224A-2020RM502Q".

Plaque signalétique du produit final

Ce module émetteur est autorisé uniquement pour une utilisation dans un dispositif où l'antenne peut être installée de telle sorte qu'une distance de 20cm peut être maintenue entre l'antenne et les utilisateurs. Le produit final doit être étiqueté dans un endroit visible avec l'inscription suivante: "Contient des IC: 10224A-2020RM502Q".

Manual Information to the End User

The OEM integrator has to be aware not to provide information to the end user regarding how to install or remove this RF module in the user's manual of the end product which integrates this module.

The end user manual shall include all required regulatory information/warning as show in this manual.

Manuel d'information à l'utilisateur final

L'intégrateur OEM doit être conscient de ne pas fournir des informations à l'utilisateur final quant à la façon d'installer ou de supprimer ce module RF dans le manuel de l'utilisateur du produit final qui intègre ce module.

Le manuel de l'utilisateur final doit inclure toutes les informations réglementaires requises et avertissements comme indiqué dans ce manuel.