



# Internal Antenna Product Specification

**Customer Name:** Quectel Wireless Solutions Co., Ltd.

**Project Name:** 4G-LTE External Antenna

**Part Number:** SAA30968A

**VENDOR NAME:** Shanghai Saintenna Electronic  
Technology Co., Ltd.

**Tel: 021- 36307272**      **Fax: 021- 36307757**

Approval Sheet	
Customer	Saintenna

Rev	Change Summary	Date	Author
1.0	Preliminary Release	2014-07-26	Kevin Cui

PREPARED BY

上海圣丹纳电子科技股份有限公司

Shanghai Saintenna Electronic Technology Co., Ltd.

**2005 © COPYRIGHT SAINTENNA CO. LTD.**

This document is issued by Saintenna Electronic Technology Co. Ltd. (hereinafter called Saintenna) in confidence, and is not to be reproduced in whole or in part without the prior written permission of Saintenna. The information contained herein is the property of Saintenna and is to be used only for the purpose for which it is submitted and is not to be released in whole or in part without the prior written permission of Saintenna.

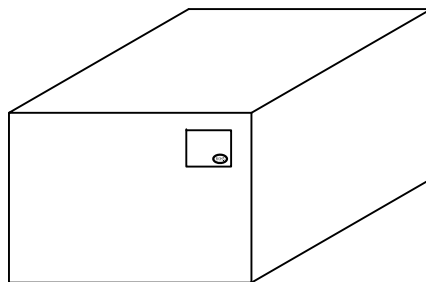
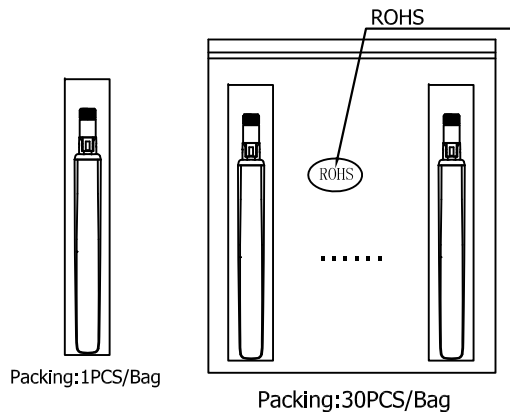
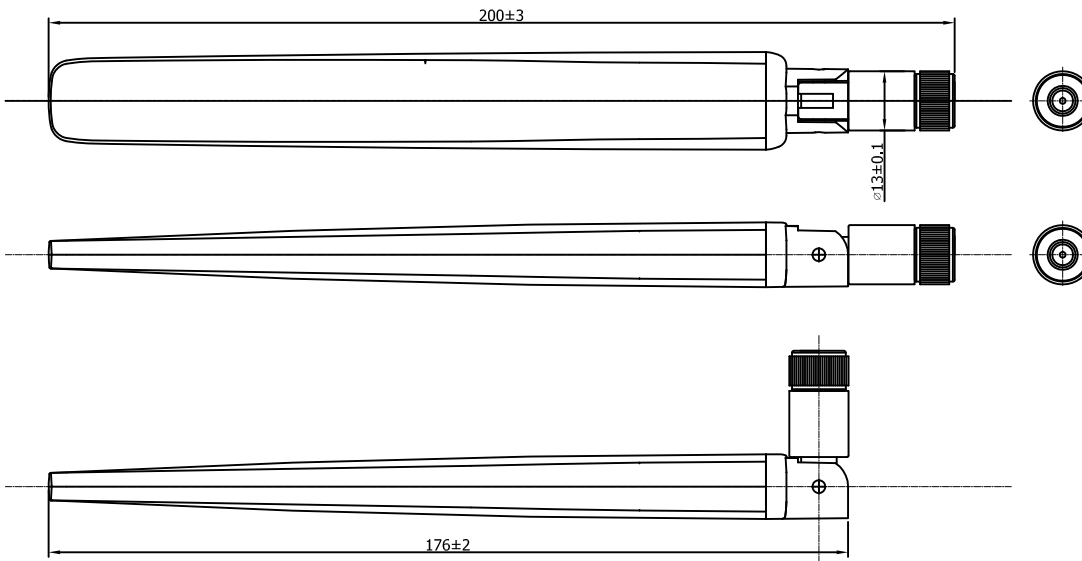
*Saintenna Co. Ltd.*

Building 8, No. 611 BaoQI Road, Baoshan District Shanghai 200444, P.R. China



黑色

SAA30968A



6	Connector	SMA Straight Plug Standard for RG-178	1	
5	Cable	RG-178 Cable,Transparency Brown,50Ω	1	
4	Rivet	PBT+PC,Color:Black	2	
3	Bottom Base	PBT+PC,Color:Black	1	
2	Upper Base	ABS,Color:Black	1	
1	Antenna Cap(L)	ABS,Color:Black	1	
NO.	DESCRIPTION		Q'TY	REMARK

DWG: SAA30968A		SDN-4G-EXT-D01		S1	2016.06.22
PG: 1/1		MATERIAL: SEE NOTES		REV	DATE
UNIT: mm		DR :mayuxue		2016.06.22	
SCALE:1,000		TOL:UNLESS NOTED		.X: ±0.20 .XX: ±0.10 ANGULAR ±30'	
THIRD PROJECTION 		CH:		CONFIDENTIAL ALL INFORMATION CONTAINED IN THIS DOCUMENT IS PROPRIETARY.IT MAY NOT BE REPRODUCED OR USED WITHOUT EXPRESS WRITTEN PERMISSION OF SAINTENNA CO.,LTD.	
SAINTENNA		P H:66136101 FAX:66136102			

# Standard parameter

## 一、Specifications

Frequency range	699~960MHz/1710~2700MHz
S. W. R	≤3
Gain	4.0dBi
Connector	SMA Plug
Impedance	50 Ohm

## 二、Reliability test

Project	Test condition	Result
Storage environment	Temperature, humidity, air pressure test are as follows: 1. Temperature: -30℃~+80℃ 2. Humidity: 45%-85% 3. Pressure: 86kpa-106kpa	Normal electrical and mechanical properties
Appearance quality	The 5 cycle is between 70℃ and 40℃. Then check the appearance quality	Meet the mechanical and electrical properties
Dimensional accuracy	Check the dimensional accuracy according to the drawing	Meet the mechanical and electrical properties
Vibration test	Vibration frequency 10-55HZ, displacement: 0.35MM, acceleration: 50.0M/S, Frequency sweep frequency: 30 times	Normal electrical and mechanical properties
Drop test	1m height drop	Normal electrical and mechanical properties
Drawing force test	Push pull tester to test the strength of the instrument: ≥10N	Normal electrical and mechanical properties
Voltage resistance	1. Insulation spark voltage 1.5KV 2. Sheath spark voltage 1.5KV 3. Insulation resistance to sheath voltage 0.5KV	Normal electrical and mechanical properties



Shanghai Saintenna Electronic Technology Co., Ltd.

Company / project	External antenna	Working frequency band	All
Test date	2016/6/22	Test person	Victor Peng
Version number	V1.0	Test sample description	Mould

**Free space test data of whole machine passive efficiency:**

Freq	Gain	Efficiency
700	1.66	41.00%
710	3.26	49.30%
720	3.95	58.30%
730	3.6	58.10%
740	3.85	55.50%
750	4.04	54.40%
760	3.44	53.30%
770	3.98	57.30%
780	4.45	63.50%
790	3.63	66.00%
800	3.47	67.30%
810	3.19	62.40%
820	2.53	59.20%
830	2.13	57.60%
840	1.89	56.30%
850	2.29	57.10%
860	2.64	60.50%
870	3.01	61.20%
880	2.98	60.60%
890	2.46	57.00%
900	2.38	54.80%
910	2.06	52.30%
920	1.91	51.50%
930	2.06	51.30%
940	2.27	55.40%
950	2.04	54.10%

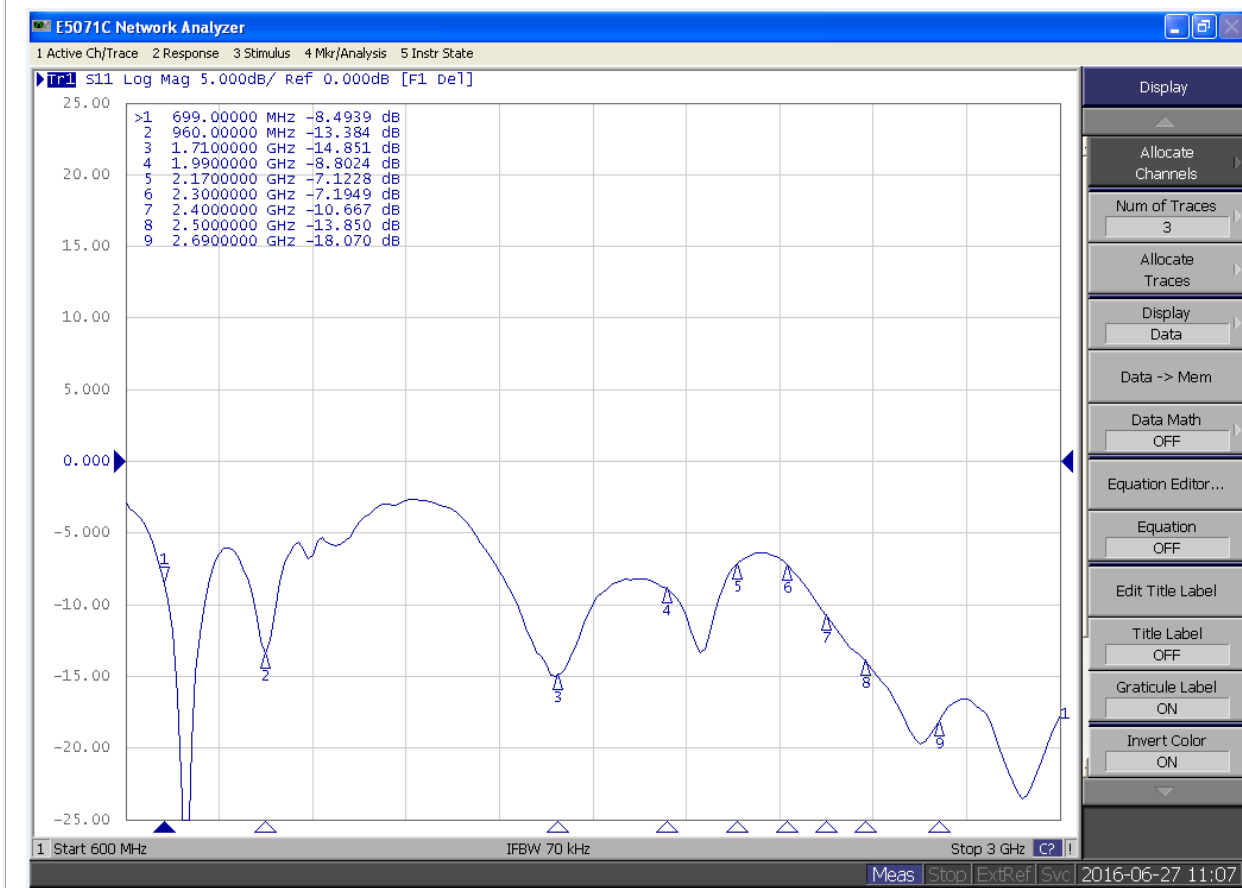
Freq	Gain	Efficiency
960	1.7	51.90%
970	1.23	47.10%
980	1	44.80%
990	0.82	41.90%
1000	1.17	40.70%
1700	1.67	63.40%
1720	1.94	62.90%
1740	2	64.80%
1760	1.57	60.40%
1780	0.97	56.80%
1800	1.33	55.90%
1820	1.17	56.20%
1840	1.36	55.70%
1860	1.25	51.40%
1880	1.38	49.90%
1900	1.59	51.70%
1920	1.36	52.00%
1940	1.01	49.40%
1960	1.41	51.60%
1980	1.53	53.20%
2000	1.84	52.70%
2020	2.1	50.40%
2040	2.65	54.50%
2060	3.22	56.90%
2080	3.69	56.60%
2100	4.01	59.20%

The information contained in this product is of a proprietary nature. It may not be reproduced without expressed written permission of Shanghai Saintenna Electronic Technology Co., Ltd.

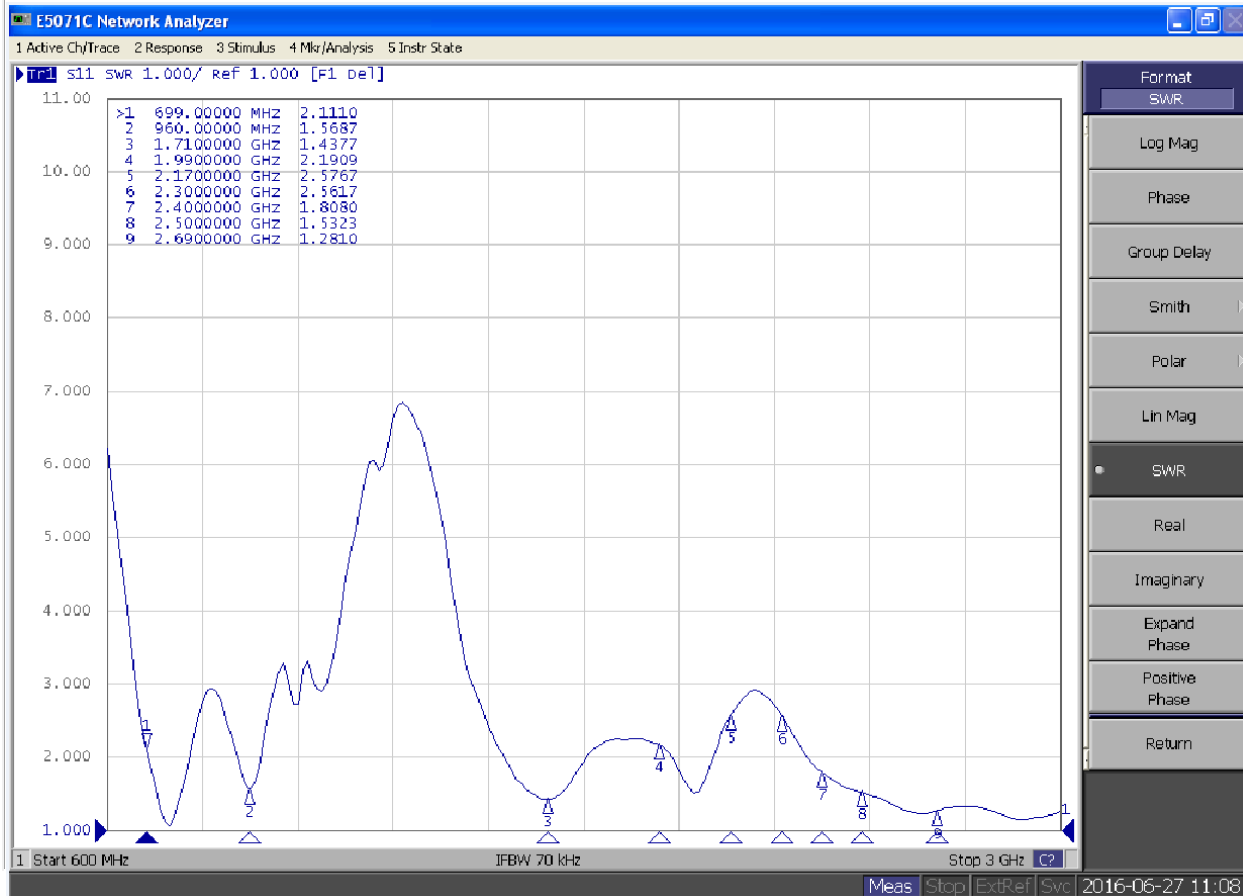
Freq	Gain	Efficiency
2120	3.69	59.60%
2140	3.22	56.00%
2160	2.46	52.20%
2180	1.45	47.30%
2300	1.25	46.90%
2320	1.49	50.10%
2340	1.49	50.60%
2360	1.49	49.90%
2380	1.57	51.90%
2400	1.88	54.40%
2420	2.15	57.80%
2440	2.85	60.80%
2460	3.35	64.80%
2480	3.6	69.50%

Freq	Gain	Efficiency
2500	3	67.00%
2520	2.68	68.00%
2540	2.44	68.80%
2560	2.3	66.30%
2580	2	59.90%
2600	2.04	60.30%
2620	2.06	61.10%
2640	2	60.70%
2660	1.71	59.90%
2680	1.71	58.60%
2700	1.78	59.00%

LOG MAG:



# VSWR



# ROHS

Product :RF Antenna Assembly												
Supplier Part No. (供應商料號)	ITEM (品名)	RAW MATERIAL (部件/原材料/輔助材料 名稱)	RAW MATERIAL SUPPLIER (供應商名稱)	Cd(鎘)含 量 (ppm)	Pb(鉛)含 量 (ppm)	Cr6+(六價 鉻) 含量(ppm)	Hg(汞) 含量 (ppm)	PBBS(聚 溴聯苯) 含量 (ppm)	PBDES(溴 聯苯 醚)含量 (ppm)	Test organization  测试机构	Test report No.  測試報告號碼	SGS Report date
1	RG-178	Silver plated copper wire	JIANGSU YUANDA	N.D	N.D	Negative	N.D	N.D	N.D	CTI	ECL01H051755017	2015.10.23
		FEP		N.D	N.D	N.D	N.D	N.D				
		Tin plated copper wire		N.D	N.D	Negative	N.D	N.D	N.D			
		Brown color		N.D	N.D	N.D	N.D	N.D	N.D			
2	Rod sleeve	ABS	Chemical fiber	N.D	N.D	N.D	N.D	N.D	N.D	SGS	CE/2016/13616	2016.01.25
3	Fixed	PBT+PC	长春人造	N.D	N.D	N.D	N.D	N.D	N.D	SGS	CE/2015/C5211	2015.12.30
4	Solid	PBT+PC		N.D	N.D	N.D	N.D	N.D	N.D	SGS		
5	Connector	POM	Formosa	N.D	N.D	N.D	N.D	N.D	N.D	SGS	KE/2015/C2285A-01	2015.12.28
		NI-Plated	LIANFENG	N.D	N.D	Negative	N.D	/	/	SGS	CANEC1517911004	2015.10.26
		Gold-Plated	LIANFENG	N.D	N.D	Negative	N.D	/	/	SGS	CANEC1517911006	2015.10.26
		PTFE	求真	N.D	N.D	N.D	N.D	N.D	N.D	CTI	SCL01I013440001C	2016.03.07
		Brass	SHIYANG	14	31782	Negative	N.D	/	/	SGS	CANEC1603095201	2016.03.09
6	Toner	Black masterbatch	HEN-CHEN	N.D	N.D	N.D	N.D	N.D	N.D	SGS	CANEC1601390003	2016.01.28
7	PCB	FR4	Huake	N.D	N.D	N.D	N.D	N.D	N.D	SGS	SCL01H099132001C	2015.11.23
								/	/			
								/	/			
								/	/			
								/	/			