

# RF MEASUREMENT REPORT

---

**FCC ID:** XMR202205EC200UAU  
**Applicant:** Quectel Wireless Solutions Co., Ltd  
**Product:** LTE Module  
**Model No.:** EC200U-AU  
**Brand Name:** Quectel  
**FCC Classification:** FCC Part 15 Spread Spectrum Transmitter (DSS)  
**FCC Rule Part(s):** Part15 Subpart C (Section 15.247)  
**Test Date:** March 21 ~ 25, 2022

**Reviewed By:**

\_\_\_\_\_  
Sunny Sun

**Approved By:**

\_\_\_\_\_  
Robin Wu



The test results relate only to the samples tested.

The test results shown in the test report are traceable to the national/international standards through the calibration of the equipment and evaluated measurement uncertainty herein.

The test report shall not be reproduced except in full without the written approval of MRT Technology (Suzhou) Co., Ltd.

---

### Revision History

Report No.	Version	Description	Issue Date	Note
2203RSU034-U3	Rev. 01	Initial Report	04-13-2022	Valid

---

## CONTENTS

Description	Page
<b>1. General Information .....</b>	<b>6</b>
1.1. Applicant .....	6
1.2. Manufacturer .....	6
1.3. Testing Facility .....	6
1.4. Product Information .....	7
1.5. Radio Specification .....	7
1.6. Working Frequencies .....	8
1.7. Pseudorandom Frequency Hopping Sequence .....	9
1.8. Test Mode .....	9
1.9. Test System Connection Diagram .....	10
1.10. Test Software .....	10
1.11. Applied Standards .....	10
1.12. Test Environment Condition .....	11
1.13. Antenna Requirement .....	11
<b>2. Measuring Instrument .....</b>	<b>12</b>
<b>3. Measurement Uncertainty .....</b>	<b>13</b>
<b>4. Test Result .....</b>	<b>14</b>
4.1. Summary .....	14
4.2. Occupied Bandwidth Measurement .....	15
4.2.1. Test Limit .....	15
4.2.2. Test Procedure .....	15
4.2.3. Test Setting .....	15
4.2.4. Test Setup .....	15
4.2.5. Test Result .....	15
4.3. Output Power Measurement .....	16
4.3.1. Test Limit .....	16
4.3.2. Test Procedure .....	16
4.3.3. Test Setting .....	16
4.3.4. Test Setup .....	16
4.3.5. Test Result .....	16
4.4. Carrier Frequency Separation Measurement .....	17
4.4.1. Test Limit .....	17
4.4.2. Test Procedure .....	17
4.4.3. Test Setting .....	17
4.4.4. Test Setup .....	17
4.4.5. Test Result .....	17
4.5. Number of Hopping Channels Measurement .....	18

---

4.5.1.	Test Limit .....	18
4.5.2.	Test Procedure .....	18
4.5.3.	Test Settintg .....	18
4.5.4.	Test Setup .....	18
4.5.5.	Test Result .....	18
4.6.	Time of Occupancy Measurement .....	19
4.6.1.	Test Limit .....	19
4.6.2.	Test Procedure .....	19
4.6.3.	Test Settintg .....	19
4.6.4.	Test Setup .....	19
4.6.5.	Test Result .....	20
4.7.	Band-edge Compliance Measurement .....	21
4.7.1.	Test Limit .....	21
4.7.2.	Test Procedure .....	21
4.7.3.	Test Setting .....	21
4.7.4.	Test Setup .....	22
4.7.5.	Test Result .....	22
4.8.	Conducted Spurious Emissions Measurement .....	23
4.8.1.	Test Limit .....	23
4.8.2.	Test Procedure .....	23
4.8.3.	Test Setting .....	23
4.8.4.	Test Setup .....	24
4.8.5.	Test Result .....	24
4.9.	Radiated Spurious Emission Measurement .....	25
4.9.1.	Test Limit .....	25
4.9.2.	Test Procedure .....	25
4.9.3.	Test Setting .....	25
4.9.4.	Test Setup .....	27
4.9.5.	Test Result .....	27
4.10.	Radiated Restricted Band Edge Measurement .....	28
4.10.1.	Test Limit .....	28
4.10.2.	Test Procedure .....	29
4.10.3.	Test Setting .....	29
4.10.4.	Test Setup .....	30
4.10.5.	Test Result .....	30
4.11.	AC Conducted Emissions Measurement .....	31
4.11.1.	Test Limit .....	31
4.11.2.	Test Setup .....	31
4.11.3.	Test Result .....	31

---

---

<b>Appendix A - Test Result</b> .....	<b>32</b>
A.1 Duty Cycle Test Result.....	32
A.2 20dB Bandwidth Test Result.....	33
A.3 Output Power Test Result.....	37
A.4 Carrier Frequency Separation Test Result.....	41
A.5 Number of Hopping Channels Test Result.....	45
A.6 Time of Occupancy Test Result.....	48
A.7 Band-edge Compliance Test Result.....	51
A.8 Conducted Spurious Emissions Test Result.....	54
A.9 Radiated Spurious Emission Test Result.....	58
A.10 Radiated Restricted Band Edge Test Result.....	63
A.11 AC Conducted Emissions Test Result.....	87
<b>Appendix B - Test Setup Photograph</b> .....	<b>89</b>
<b>Appendix C - EUT Photograph</b> .....	<b>90</b>

## 1. General Information

### 1.1. Applicant

Quectel Wireless Solutions Co., Ltd

Building 5, Shanghai Business Park Phase III (Area B), No.1016 Tianlin Road, Minhang District, Shanghai, China 200233

### 1.2. Manufacturer

Quectel Wireless Solutions Co., Ltd

Building 5, Shanghai Business Park Phase III (Area B), No.1016 Tianlin Road, Minhang District, Shanghai, China 200233

### 1.3. Testing Facility

<input checked="" type="checkbox"/>	<p><b>Test Site – MRT Suzhou Laboratory</b></p> <p><b>Laboratory Location (Suzhou - Wuzhong)</b> D8 Building, No.2 Tian'edang Rd., Wuzhong Economic Development Zone, Suzhou, China</p> <p><b>Laboratory Location (Suzhou - SIP)</b> 4b Building, Liando U Valley, No.200 Xingpu Rd., Shengpu Town, Suzhou Industrial Park, China</p> <p><b>Laboratory Accreditations</b></p> <table style="width: 100%; border: none;"> <tr> <td style="width: 50%;">A2LA: 3628.01</td> <td style="width: 50%;">CNAS: L10551</td> </tr> <tr> <td>FCC: CN1166</td> <td>ISED: CN0001</td> </tr> <tr> <td>VCCI:</td> <td> <input type="checkbox"/>R-20025      <input type="checkbox"/>G-20034      <input type="checkbox"/>C-20020      <input type="checkbox"/>T-20020  <input type="checkbox"/>R-20141      <input type="checkbox"/>G-20134      <input type="checkbox"/>C-20103      <input type="checkbox"/>T-20104         </td> </tr> </table>	A2LA: 3628.01	CNAS: L10551	FCC: CN1166	ISED: CN0001	VCCI:	<input type="checkbox"/> R-20025 <input type="checkbox"/> G-20034 <input type="checkbox"/> C-20020 <input type="checkbox"/> T-20020 <input type="checkbox"/> R-20141 <input type="checkbox"/> G-20134 <input type="checkbox"/> C-20103 <input type="checkbox"/> T-20104
A2LA: 3628.01	CNAS: L10551						
FCC: CN1166	ISED: CN0001						
VCCI:	<input type="checkbox"/> R-20025 <input type="checkbox"/> G-20034 <input type="checkbox"/> C-20020 <input type="checkbox"/> T-20020 <input type="checkbox"/> R-20141 <input type="checkbox"/> G-20134 <input type="checkbox"/> C-20103 <input type="checkbox"/> T-20104						
<input type="checkbox"/>	<p><b>Test Site – MRT Shenzhen Laboratory</b></p> <p><b>Laboratory Location (Shenzhen)</b> 1G, Building A, Junxiangda Building, Zhongshanyuan Road West, Nanshan District, Shenzhen, China</p> <p><b>Laboratory Accreditations</b></p> <table style="width: 100%; border: none;"> <tr> <td style="width: 50%;">A2LA: 3628.02</td> <td style="width: 50%;">CNAS: L10551</td> </tr> <tr> <td>FCC: CN1284</td> <td>ISED: CN0105</td> </tr> </table>	A2LA: 3628.02	CNAS: L10551	FCC: CN1284	ISED: CN0105		
A2LA: 3628.02	CNAS: L10551						
FCC: CN1284	ISED: CN0105						
<input type="checkbox"/>	<p><b>Test Site – MRT Taiwan Laboratory</b></p> <p><b>Laboratory Location (Taiwan)</b> No. 38, Fuxing 2nd Rd., Guishan Dist., Taoyuan City 333, Taiwan (R.O.C.)</p> <p><b>Laboratory Accreditations</b></p> <table style="width: 100%; border: none;"> <tr> <td style="width: 50%;">TAF: L3261-190725</td> <td style="width: 50%;"></td> </tr> <tr> <td>FCC: 291082, TW3261</td> <td>ISED: TW3261</td> </tr> </table>	TAF: L3261-190725		FCC: 291082, TW3261	ISED: TW3261		
TAF: L3261-190725							
FCC: 291082, TW3261	ISED: TW3261						

#### 1.4. Product Information

Product Name	LTE Module
Model No.	EC200U-AU
IMEI	Conducted Measurement: 867869060001682 Radiated Measurement: 867869060001626
Wi-Fi Specification	802.11b Rx Scan
Bluetooth Specification	V4.2 BR/EDR
GSM Specification	GSM 850/1900
LTE Specification	LTE Band 2/4/5/7/38/41/66
Working Voltage	3.3 ~ 4.3Vdc, 3.8Vdc Typ.
Remark: The information of EUT was provided by the manufacturer, and the accuracy of the information shall be the responsibility of the manufacturer.	

#### 1.5. Radio Specification

Operating Frequency	2402~2480MHz
Channel Number	79
Type of modulation	GFSK, Pi/4 DQPSK, 8DPSK
Data Rate	1Mbps, 2Mbps, 3Mbps
Antenna Information	Dipole Antenna, 0.5dBi

Note:

1. For other features of this EUT, test report will be issued separately.
  2. The test data contained in this report pertains only to the emissions due to the EUT's Bluetooth transmitter.
- 15.247(g): In accordance with the Bluetooth Industry Standard, the system is designed to comply with all of the regulations in Section 15.247 when the transmitter is presented with a continuous data (or information) system.
  - 15.247(h): In accordance with the Bluetooth Industry Standard, the system does not coordinate its channels selection/ hopping sequence with other frequency hopping systems for the express purpose of avoiding the simultaneous occupancy of individual hopping frequencies by multiple transmitters.
  - 15.247(h): The EUT employs Adaptive Frequency Hopping (AFH) which identifies sources of interference namely devices operating in 802.11 WLAN and excludes them from the list of available channels. The process of re-mapping reduces the number of test channels from 79 channels to a minimum number of 20 channels.

**1.6. Working Frequencies**

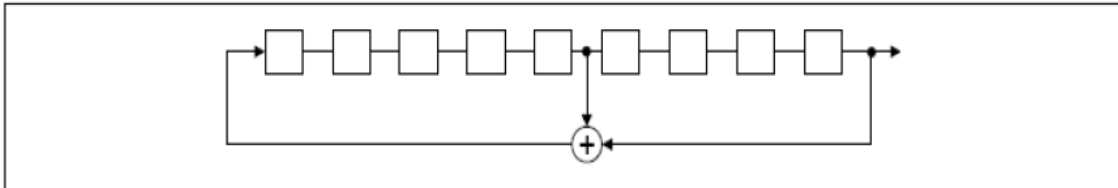
Channel	Frequency	Channel	Frequency	Channel	Frequency
00	2402 MHz	01	2403 MHz	02	2404 MHz
03	2405 MHz	04	2406 MHz	05	2407 MHz
06	2408 MHz	07	2409 MHz	08	2410 MHz
09	2411 MHz	10	2412 MHz	11	2413 MHz
12	2414 MHz	13	2415 MHz	14	2416 MHz
15	2417 MHz	16	2418 MHz	17	2419 MHz
18	2420 MHz	19	2421 MHz	20	2422 MHz
21	2423 MHz	22	2424 MHz	23	2425 MHz
24	2426 MHz	25	2427 MHz	26	2428 MHz
27	2429 MHz	28	2430 MHz	29	2431 MHz
30	2432 MHz	31	2433 MHz	32	2434 MHz
33	2435 MHz	34	2436 MHz	35	2437 MHz
36	2438 MHz	37	2439 MHz	38	2440 MHz
39	2441 MHz	40	2442 MHz	41	2443 MHz
42	2444 MHz	43	2445 MHz	44	2446 MHz
45	2447 MHz	46	2448 MHz	47	2449 MHz
48	2450 MHz	49	2451 MHz	50	2452 MHz
51	2453 MHz	52	2454 MHz	53	2455 MHz
54	2456 MHz	55	2457 MHz	56	2458 MHz
57	2459 MHz	58	2460 MHz	59	2461 MHz
60	2462 MHz	61	2463 MHz	62	2464 MHz
63	2465 MHz	64	2466 MHz	65	2467 MHz
66	2468 MHz	67	2469 MHz	68	2470 MHz
69	2471 MHz	70	2472 MHz	71	2473 MHz
72	2474 MHz	73	2475 MHz	74	2476 MHz
75	2477 MHz	76	2478 MHz	77	2479 MHz
78	2480 MHz	-	-	-	-



### 1.7. Pseudorandom Frequency Hopping Sequence

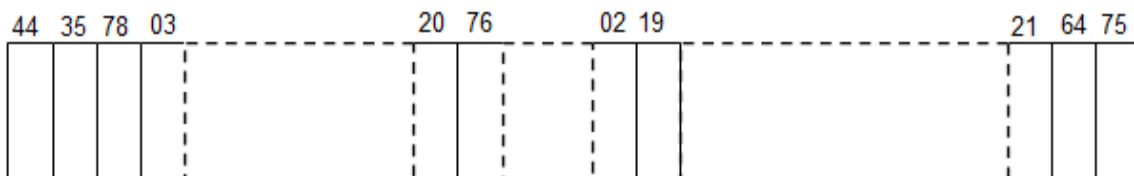
The pseudorandom sequence may be generated in a nine-stage shift register whose 5<sup>th</sup> and 9<sup>th</sup> stage outputs are added in a modulo-two addition stage. And the result is fed back to the input of the first stage. The sequence begins with the first ONE of 9 consecutive ONES; i.e. the shift register is initialized with nine ones.

- Number of shift register stages: 9
- Length of pseudo-random sequence:  $2^9 - 1 = 511$  bits
- Longest sequence of zeros: 8 (non-inverted signal)



Linear Feedback Shift Register for Generation of the PRBS sequence

An example of Pseudorandom Frequency Hopping Sequence as follow:



Each frequency used equally on the average by each transmitter.

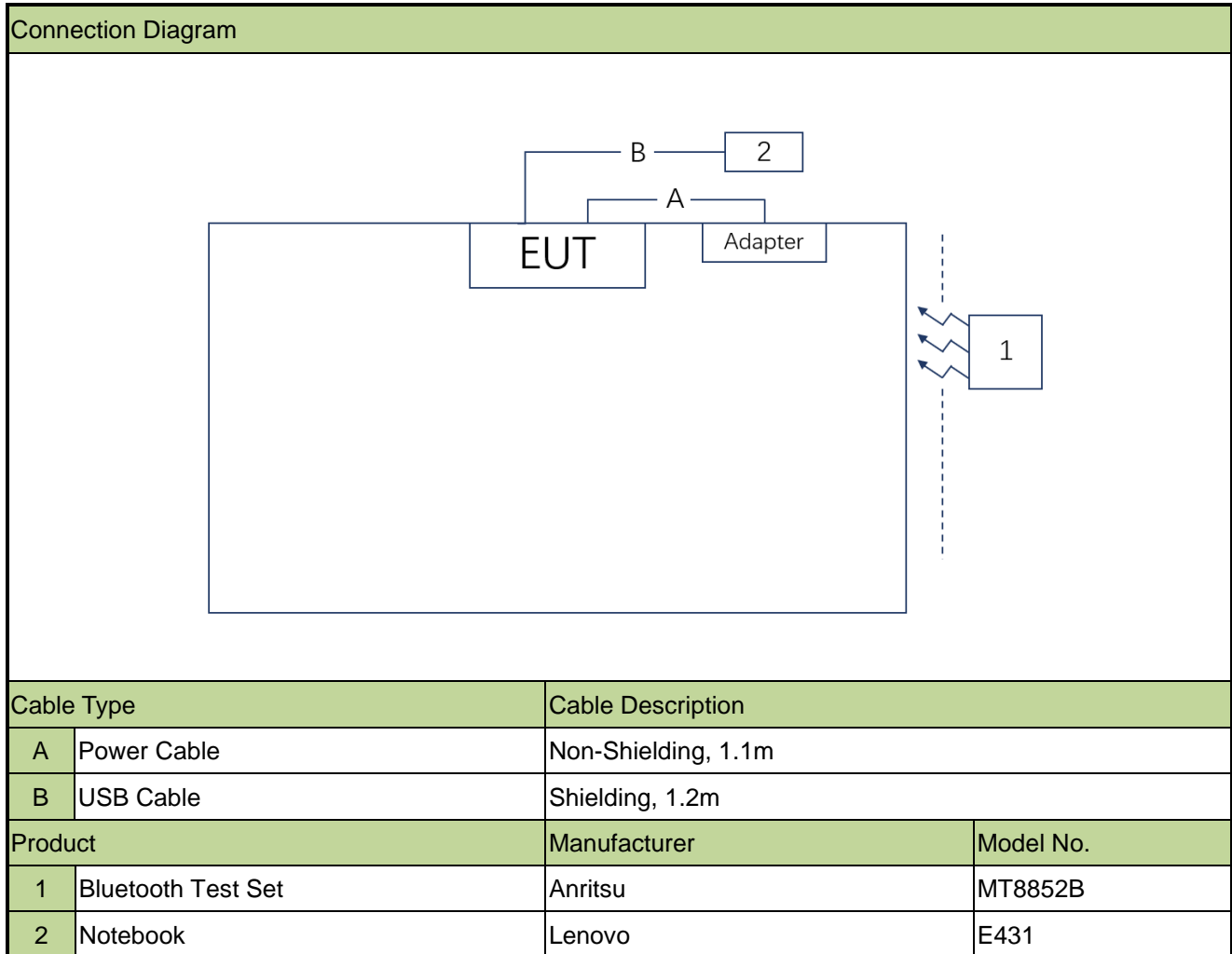
The system receivers have input bandwidths that match the hopping channel bandwidths of their Corresponding transmitters and shift frequencies in synchronization with the transmitted signals.

### 1.8. Test Mode

Mode 1: Transmit by DH5
Mode 2: Transmit by 2DH5
Mode 3: Transmit by 3DH5

### 1.9. Test System Connection Diagram

The device was tested per the guidance ANSI C63.10-2013 was used to reference the appropriate EUT setup for radiated emissions testing and AC line conducted testing.



### 1.10. Test Software

After entering command, the product is in DUT mode, then connected with the Bluetooth Test Set, the device can be transmitted and received continuously.

### 1.11. Applied Standards

According to the specifications of the manufacturer, the EUT must comply with the requirements of the following standards:

- FCC Part 15.247
- KDB 558074 D01v05r02
- ANSI C63.10-2013

**1.12. Test Environment Condition**

Ambient Temperature	15 ~ 35 °C
Relative Humidity	20 ~ 75 %RH

**1.13. Antenna Requirement****Excerpt from §15.203 of the FCC Rules/Regulations:**

“An intentional radiator antenna shall be designed to ensure that no antenna other than that furnished by the responsible party can be used with the device. The use of a permanently attached antenna or of an antenna that uses a unique coupling to the intentional radiator shall be considered sufficient to comply with the provisions of this section.”

**Conclusion:**

The unit complies with the requirement of §15.203.

## 2. Measuring Instrument

Instrument	Manufacturer	Model No.	Asset No.	Cali. Interval	Cali. Due Date	Test Site
EMI Test Receiver	R&S	ESR7	MRTSUE06001	1 year	2022/12/29	WZ-AC1
Horn Antenna	Schwarzbeck	BBHA 9120D	MRTSUE06023	1 year	2022/9/16	WZ-AC1
Preamplifier	Agilent	83017A	MRTSUE06076	1 year	2022/11/12	WZ-AC1
TRILOG Antenna	Schwarzbeck	VULB 9168	MRTSUE06172	1 year	2022/8/5	WZ-AC1
Anechoic Chamber	TDK	WZ-AC1	MRTSUE06212	1 year	2022/4/29	WZ-AC1
Thermohygrometer	testo	608-H1	MRTSUE06403	1 year	2022/6/28	WZ-AC1
Signal Analyzer	Keysight	N9010B	MRTSUE06607	1 year	2022/12/29	WZ-AC1
Thermohygrometer	testo	Testo 608-H1	MRTSUE11039	1 year	2022/11/11	WZ-AC1
Loop Antenna	Schwarzbeck	FMZB 1519	MRTSUE06025	1 year	2022/10/28	WZ-AC1/WZ-AC2
Horn Antenna	ETS	3117	MRTSUE06257	1 year	2022/9/25	WZ-AC1/WZ-AC2
Horn Antenna	Schwarzbeck	BBHA 9170	MRTSUE06597	1 year	2022/12/1	WZ-AC1/WZ-AC2
TRILOG Antenna	Schwarzbeck	VULB 9162	MRTSUE06022	1 year	2022/5/24	WZ-AC2
EMI Test Receiver	Agilent	N9038A	MRTSUE06125	1 year	2022/6/24	WZ-AC2
Thermohygrometer	Mingle	ETH529	MRTSUE06170	1 year	2022/12/1	WZ-AC2
Horn Antenna	Schwarzbeck	BBHA 9120D	MRTSUE06171	1 year	2022/10/21	WZ-AC2
Preamplifier	Schwarzbeck	BBV 9718	MRTSUE06176	1 year	2022/11/12	WZ-AC2
Anechoic Chamber	RIKEN	WZ-AC2	MRTSUE06213	1 year	2022/4/29	WZ-AC2
Thermohygrometer	testo	Testo 608-H1	MRTSUE11038	1 year	2022/11/11	WZ-AC2
Two-Line V-Network	R&S	ENV216	MRTSUE06002	1 year	2022/6/8	WZ-SR2
Shielding Room	MIX-BEP	WZ-SR2	MRTSUE06215	5 years	2026/12/20	WZ-SR2
Thermohygrometer	testo	608-H1	MRTSUE06404	1 year	2022/6/28	WZ-SR2
Four-Line V-Network	R&S	ENV432	MRTSUE06615	1 year	2022/10/13	WZ-SR2
EMI Test Receiver	R&S	ESR3	MRTSUE06909	1 year	2022/11/1	WZ-SR2
Thermohygrometer	testo	608-H1	MRTSUE06222	1 year	2022/10/10	WZ-SR4
Shielding Room	HUAMING	WZ-SR4	MRTSUE06441	/	/	WZ-SR4
Signal Analyzer	Keysight	N9010B	MRTSUE06558	1 year	2022/6/24	WZ-SR4
Signal Analyzer	Agilent	N9020A	MRTSUE06106	1 year	2022/4/13	WZ-SR4
Bluetooth Test Set	Anritsu	MT8852B	MRTSUE06389	1 year	2022/6/8	WZ-SR4

Software	Version	Function
EMI Software	V3.0.0	EMI Test Software

### 3. Measurement Uncertainty

Where relevant, the following test uncertainty levels have been estimated for tests performed on the EUT as specified in CISPR 16-4-2. This uncertainty represents an expanded uncertainty expressed at approximately the 95% confidence level using a coverage factor of  $k = 2$ .

<b>AC Conducted Emission Measurement</b>
Measurement Uncertainty for a Level of Confidence of 95% ( $U=2Uc(y)$ ): 9kHz~150kHz: 3.74dB 150kHz~30MHz: 3.44dB
<b>Radiated Disturbance</b>
Measurement Uncertainty for a Level of Confidence of 95% ( $U=2Uc(y)$ ): Horizontal: 30MHz~300MHz: 5.04dB 300MHz~1GHz: 4.95dB 1GHz~40GHz: 6.40dB Vertical: 30MHz~300MHz: 5.24dB 300MHz~1GHz: 6.03dB 1GHz~40GHz: 6.40dB
<b>Spurious Emissions, Conducted</b>
Measuring Uncertainty for a Level of Confidence of 95% ( $U=2Uc(y)$ ): 0.78dB
<b>Output Power</b>
Measuring Uncertainty for a Level of Confidence of 95% ( $U=2Uc(y)$ ): 1.13dB
<b>Occupied Bandwidth</b>
Measuring Uncertainty for a Level of Confidence of 95% ( $U=2Uc(y)$ ): 0.28%

## 4. Test Result

### 4.1. Summary

FCC Section(s)	Test Description	Test Condition	Verdict
15.247(a)(1)	20dB Bandwidth	Conducted	Pass
15.247(b)(1)	Peak Transmitter Output Power		Pass
15.247(a)(1)	Channel Separation		Pass
15.247(a)(1)(iii)	Number of Channels		Pass
15.247(a)(1)(iii)	Time of Occupancy		Pass
15.247(d)	Band Edge / Out- of-Band Emissions		Pass
15.205, 15.209	General Field Strength (Restricted Bands and Radiated Emission)	Radiated	Pass
15.207	AC Conducted Emissions 150kHz - 30MHz	Line Conducted	Pass

**Remark:**

The analyzer plots shown in this section were all taken with a correction table loaded into the analyzer. The correction table was used to account for the losses of the cables and attenuators used as part of the system to connect the EUT to the analyzer at all frequencies of interest.

## 4.2. Occupied Bandwidth Measurement

### 4.2.1. Test Limit

N/A

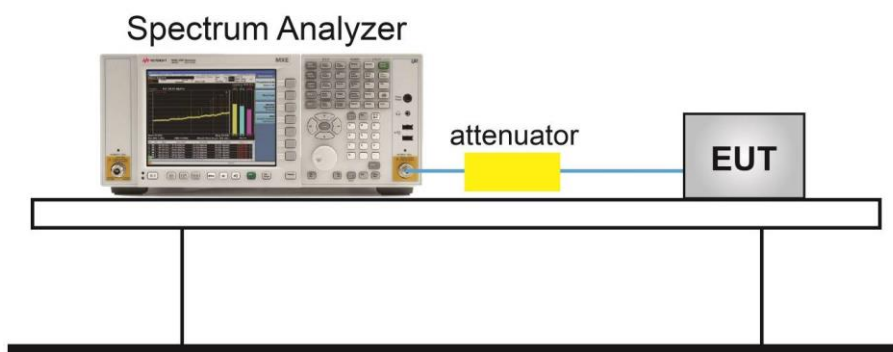
### 4.2.2. Test Procedure

ANSI C63.10-2013 - Section 6.9.2 (20dB Bandwidth)

### 4.2.3. Test Setting

1. Set RBW  $\geq$  1% to 5% of the 20dB bandwidth
2. VBW = approximately three times RBW
3. Span = approximately 2 to 5 times the 20dB bandwidth, centered on a hopping channel
4. Detector = Peak
5. Trace mode = max hold
6. Sweep = auto couple
7. Allow the trace to stabilize
8. Measure the maximum width of the emission that is constrained by the frequencies associated with the two outermost amplitude points (upper and lower frequencies) that are attenuated by 20 dB relative to the maximum level measured in the fundamental emission.

### 4.2.4. Test Setup



### 4.2.5. Test Result

Refer to Appendix A.2.

### 4.3. Output Power Measurement

#### 4.3.1. Test Limit

For frequency hopping systems operating in the 2400-2483.5MHz band employing at least 75 non-overlapping hopping channels: 1 watt (30dBm). For all other frequency hopping systems in the 2400 - 2483.5MHz band: 0.125 watt (21dBm).

#### 4.3.2. Test Procedure

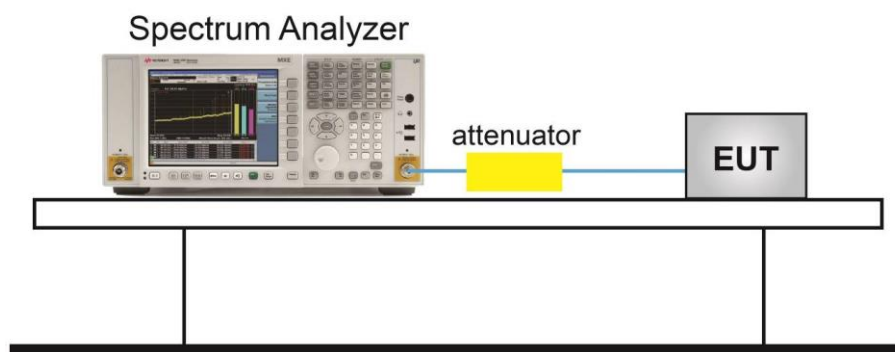
ANSI C63.10-2013 - Section 7.8.5

#### 4.3.3. Test Setting

1. Set RBW  $\geq$  the 20 dB bandwidth of the emission being measured.
2. VBW  $\geq$  RBW
3. Span = approximately five times the 20dB bandwidth, centered on a hopping channel
4. Detector = Peak
5. Trace mode = max hold
6. Sweep = auto couple
7. Allow the trace to stabilize, Use the marker-to-peak function to set the marker to the peak of the emission.

The indicated level is the peak output power (don't forget added the external attenuation and cable loss)

#### 4.3.4. Test Setup



#### 4.3.5. Test Result

Refer to Appendix A.3.



#### 4.4. Carrier Frequency Separation Measurement

##### 4.4.1. Test Limit

The minimum permissible channel separation for this system is  $\frac{2}{3}$  the value of the 20dB BW.

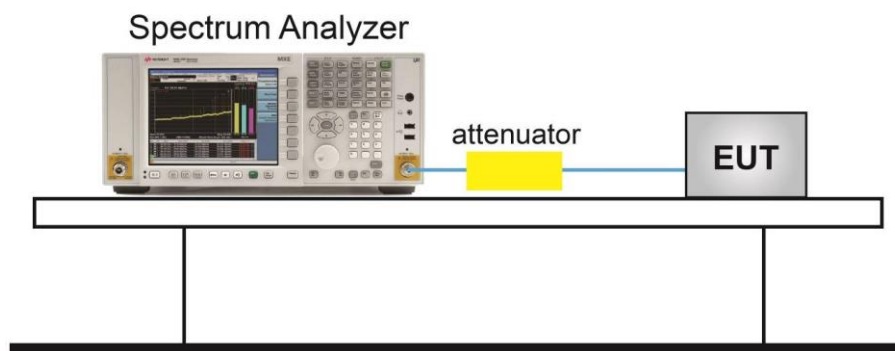
##### 4.4.2. Test Procedure

ANSI C63.10-2013 - Section 7.8.2.

##### 4.4.3. Test Setting

1. Span = wide enough to capture the peaks of two adjacent channels.
2. Start with the RBW set to approximately 30% of the channel spacing; adjust as necessary to best identify the center of each individual channel.
3. VBW  $\geq$  RBW
4. Sweep time = Auto couple
5. Detector = Peak
6. Trace mode = Max hold
7. Allowed the trace to stabilize
8. Use the marker-delta function to determine the separation between the peaks of the adjacent channels.

##### 4.4.4. Test Setup



##### 4.4.5. Test Result

Refer to Appendix A.4.

## 4.5. Number of Hopping Channels Measurement

### 4.5.1. Test Limit

This frequency hopping system must employ a minimum of 15 hopping channels.

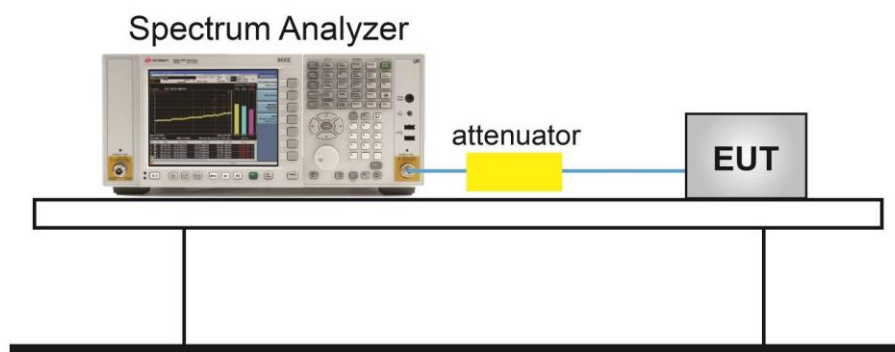
### 4.5.2. Test Procedure

ANSI C63.10-2013 - Section 7.8.3.

### 4.5.3. Test Setting

1. Span = the frequency band of operation. Depending on the number of channels the device supports, it may be necessary to divide the frequency range of operation across multiple spans, to allow the individual channels to be clearly seen.
2. To identify clearly the individual channels, set the RBW to less than 30% of the channel spacing or the 20 dB bandwidth, whichever is smaller.
3. VBW  $\geq$  RBW
4. Sweep time = Auto couple
5. Detector = Peak
6. Trace mode = Max hold
7. Allow the trace to stabilize

### 4.5.4. Test Setup



### 4.5.5. Test Result

Refer to Appendix A.5.

## 4.6. Time of Occupancy Measurement

### 4.6.1. Test Limit

The maximum permissible time of occupancy is 400ms within a period of 400ms multiplied by the number of hopping channels employed.

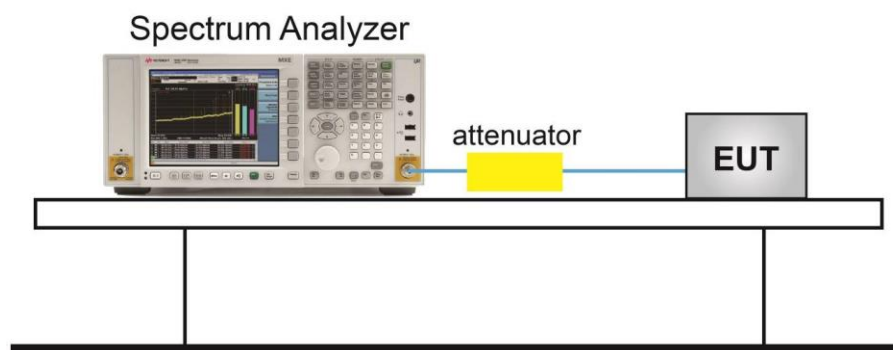
### 4.6.2. Test Procedure

ANSI C63.10-2013 - Section 7.8.4.

### 4.6.3. Test Setting

1. Span = zero span, centered on a hopping channel.
2. RBW shall be  $\leq$  channel spacing and where possible RBW should be set  $\gg 1 / T$ , where T is the expected dwell time per channel.
3. VBW  $\geq$  RBW
4. Sweep time = as necessary to capture the entire dwell time per hopping channel
5. Detector = Peak
6. Trace mode = max hold
7. Use the marker-delta function to determine the transmit time per hop. If this value varies with different modes of operation (data rate, modulation format, number of hopping channels, etc.), then repeat this test for each variation in transmit time. An oscilloscope may be used instead of a spectrum analyzer. The EUT shall show compliance with the appropriate regulatory limit for the number of hopping channels. A plot of the data shall be included in the test report.

### 4.6.4. Test Setup



#### **4.6.5. Test Result**

Refer to Appendix A.6.

## **4.7. Band-edge Compliance Measurement**

### **4.7.1. Test Limit**

The maximum permissible emission level is 20dBc. Any emissions were lying outside of the emission bandwidth and in authorized band edges to a field strength limit specified in Section 15.209 of the Title 47 CFR.

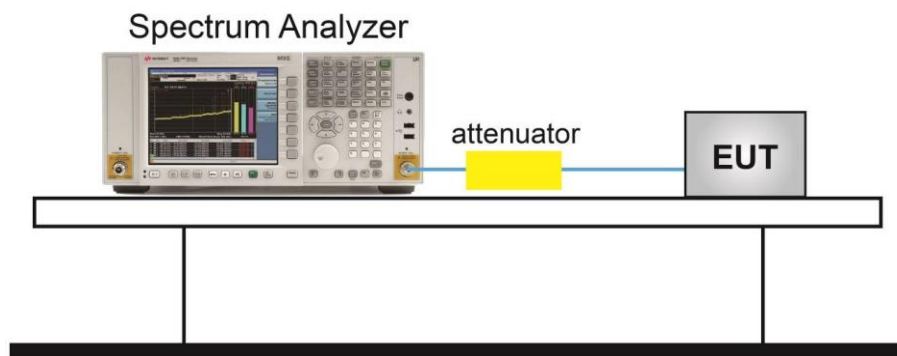
### **4.7.2. Test Procedure**

ANSI C63.10-2013 - Section 6.10.4.

### **4.7.3. Test Setting**

1. Span = wide enough to capture the peak level of the emission operating on the channel closest to the band edge, as well as any modulation products which fall outside of the authorized band of operation.
2. RBW = 100kHz
3. VBW = 300kHz
4. Detector = peak
5. Sweep time = auto couple
6. Trace mode = max hold
7. Trace was allowed to stabilize
8. Allow the trace to stabilize. Set the marker on the emission at the band edge, or on the highest modulation product outside of the band, if this level is greater than that at the band edge. Enable the marker-delta function, then use the marker-to-peak function to move the marker to the peak of the in-band emission.

#### 4.7.4. Test Setup



#### 4.7.5. Test Result

Refer to Appendix A.7.

## **4.8. Conducted Spurious Emissions Measurement**

### **4.8.1. Test Limit**

In any 100 kHz bandwidth outside the frequency band in which the spread spectrum or digitally modulated intentional radiator is operating, the radio frequency power that is produced by the intentional radiator shall be at least 20 dB below that in the 100 kHz bandwidth within the band that contains the highest level of the desired power, based on either an RF conducted or a radiated measurement, provided the transmitter demonstrates compliance with the peak conducted or a radiated measurement, provided the transmitter demonstrates compliance with the peak conducted power limits. If the transmitter complies with the conducted power limits based on the use of RMS averaging over a time interval, the attenuation required under this paragraph shall be 30 dB instead of 20 dB.

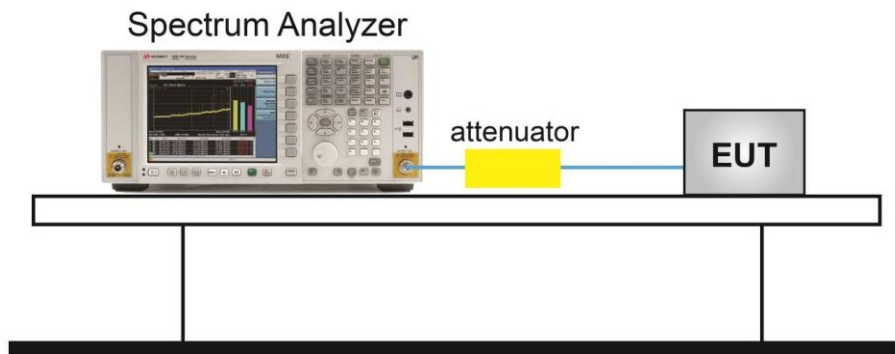
### **4.8.2. Test Procedure**

ANSI C63.10-2013 - Section 7.8.8.

### **4.8.3. Test Setting**

1. Span = wide enough to capture the peak level of the in-band emission and all spurious emissions (e.g., harmonics) from the lowest frequency generated in the EUT up through the 10th harmonic. Typically, several plots are required to cover this entire span.
2. RBW = 100KHz
3. VBW = 300KHz
4. Detector = peak
5. Sweep time = auto couple
6. Trace mode = max hold
7. Trace was allowed to stabilize
8. Set the marker on the peak of any spurious emission recorded. The level displayed must comply with the limit specified in this section.

#### 4.8.4. Test Setup



#### 4.8.5. Test Result

Refer to Appendix A.8.



#### 4.9. Radiated Spurious Emission Measurement

##### 4.9.1. Test Limit

All out of band emissions appearing in a restricted band as specified in Section 15.205 of the Title 47 CFR must not exceed the limits shown in Table per Section 15.209.

FCC Part 15 Subpart C Paragraph 15.209		
Frequency [MHz]	Field Strength [uV/m]	Measured Distance [Meters]
0.009 - 0.490	2400/F (kHz)	300
0.490 - 1.705	24000/F (kHz)	30
1.705 - 30	30	30
30 - 88	100	3
88 - 216	150	3
216 - 960	200	3
Above 960	500	3

##### 4.9.2. Test Procedure

ANSI C63.10-2013 Section 6.3 (General Requirements)

ANSI C63.10-2013 Section 6.4 (Standard test method below 30MHz)

ANSI C63.10-2013 Section 6.5 (Standard test method above 30MHz to 1GHz)

ANSI C63.10-2013 Section 6.6 (Standard test method above 1GHz)

##### 4.9.3. Test Setting

**Table 1 - RBW as a function of frequency**

Frequency	RBW
9 ~ 150 kHz	200 ~ 300 Hz
0.15 ~ 30 MHz	9 ~ 10 kHz
30 ~ 1000 MHz	100 ~ 120 kHz
> 1000 MHz	1 MHz

**Quasi-Peak Measurements below 1GHz**

1. Analyzer center frequency was set to the frequency of the radiated spurious emission of interest
2. Span was set greater than 1MHz
3. RBW = as specified in Table 1
4. Detector = CISPR quasi-peak
5. Sweep time = auto couple
6. Trace was allowed to stabilize

**Peak Measurements above 1GHz**

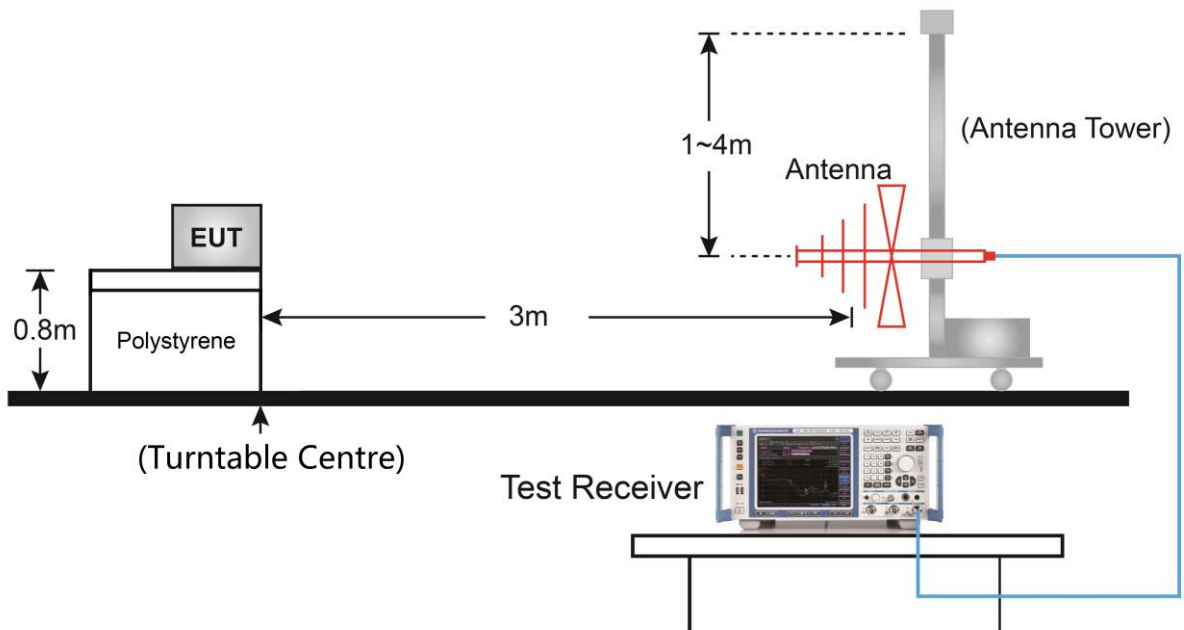
1. Analyzer center frequency was set to the frequency of the radiated spurious emission of interest
2. RBW = 1MHz
3. VBW = 3MHz
4. Detector = peak
5. Sweep time = auto couple
6. Trace mode = max hold
7. Trace was allowed to stabilize

**Average Measurements above 1GHz (Method VB)**

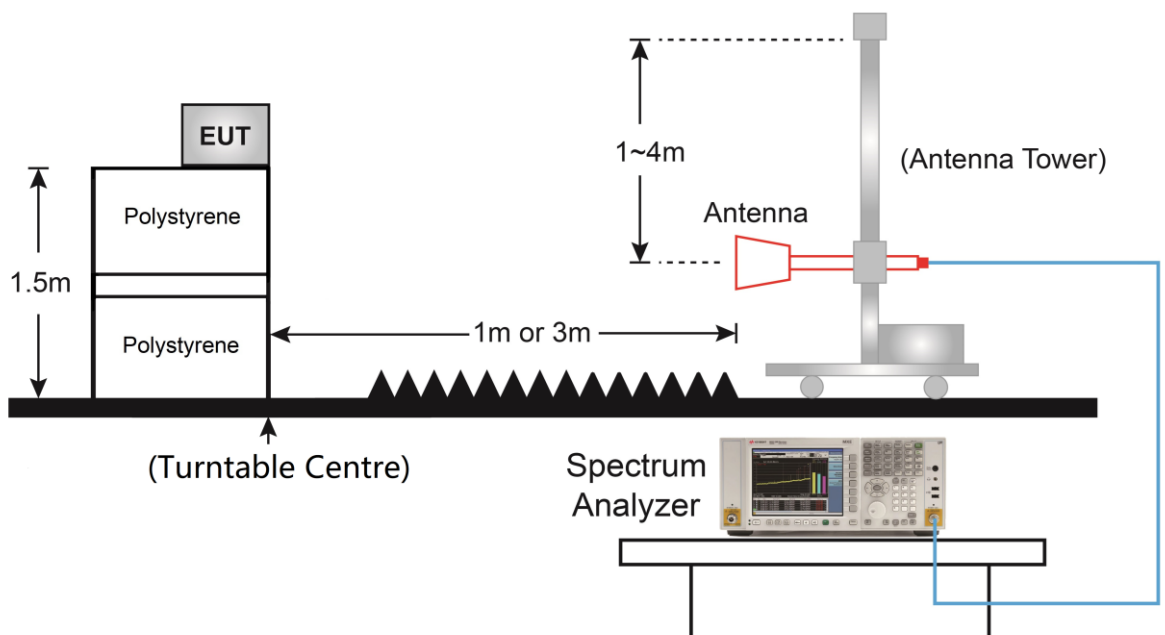
1. Analyzer center frequency was set to the frequency of the radiated spurious emission of interest
2. RBW = 1MHz
3. VBW; If the EUT is configured to transmit with duty cycle  $\geq 98\%$ , set VBW = 10 Hz.  
If the EUT duty cycle is  $< 98\%$ , set VBW  $\geq 1/T$ . T is the minimum transmission duration.
4. Detector = Peak
5. Sweep time = auto
6. Trace mode = max hold
7. Trace was allowed to stabilize

#### 4.9.4. Test Setup

##### Below 1GHz Test Setup:



##### Above 1GHz Test Setup:



#### 4.9.5. Test Result

Refer to Appendix A.9.

#### 4.10. Radiated Restricted Band Edge Measurement

##### 4.10.1. Test Limit

**For 15.205 requirement:**

Radiated emissions which fall in the restricted bands, as defined in Section 15.205(a) of FCC part 15, must also comply with the radiated emission limits specified in Section 15.209(a).

Frequency (MHz)	Frequency (MHz)	Frequency (MHz)	Frequency (GHz)
0.090 - 0.110	16.42 - 16.423	399.9 - 410	4.5 - 5.15
<sup>1</sup> 0.495 - 0.505	16.69475 - 16.69525	608 - 614	5.35 - 5.46
2.1735 - 2.1905	16.80425 - 16.80475	960 - 1240	7.25 - 7.75
4.125 - 4.128	25.5 - 25.67	1300 - 1427	8.025 - 8.5
4.17725 - 4.17775	37.5 - 38.25	1435 - 1626.5	9.0 - 9.2
4.20725 - 4.20775	73 - 74.6	1645.5 - 1646.5	9.3 - 9.5
6.215 - 6.218	74.8 - 75.2	1660 - 1710	10.6 - 12.7
6.26775 - 6.26825	108 - 121.94	1718.8 - 1722.2	13.25 - 13.4
6.31175 - 6.31225	123 - 138	2200 - 2300	14.47 - 14.5
8.291 - 8.294	149.9 - 150.05	2310 - 2390	15.35 - 16.2
8.362 - 8.366	156.52475 - 156.525	2483.5 - 2500	17.7 - 21.4
8.37625 - 8.38675	156.7 - 156.9	2690 - 2900	22.01 - 23.12
8.41425 - 8.41475	162.0125 - 167.17	3260 - 3267	23.6 - 24.0
12.29 - 12.293	167.72 - 173.2	3332 - 3339	31.2 - 31.8
12.51975 - 12.52025	240 - 285	3345.8 - 3358	36.43 - 36.5
12.57675 - 12.57725	322 - 335.4	3600 - 4400	( <sup>2</sup> )
13.36 - 13.41	--	--	--

All out of band emissions appearing in a restricted band as specified in Section 15.205 of the Title 47CFR must not exceed the limits shown in Table per Section 15.209.

FCC Part 15 Subpart C Paragraph 15.209		
Frequency [MHz]	Field Strength [uV/m]	Measured Distance [Meters]
0.009 - 0.490	2400/F (kHz)	300
0.490 - 1.705	24000/F (kHz)	30
1.705 - 30	30	30
30 - 88	100	3
88 - 216	150	3
216 - 960	200	3
Above 960	500	3

#### 4.10.2. Test Procedure

ANSI C63.10-2013 Section 6.3 (General Requirements)

ANSI C63.10-2013 Section 6.6 (Standard test method above 1GHz)

#### 4.10.3. Test Setting

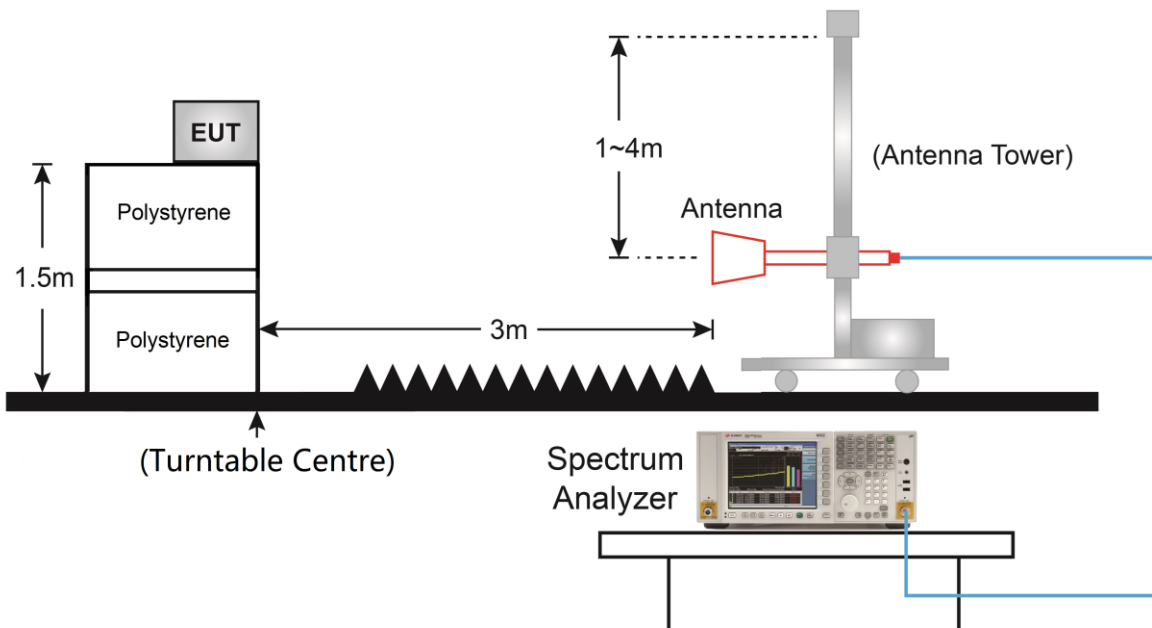
##### Peak Field Strength Measurements

1. Analyzer center frequency was set to the frequency of the radiated spurious emission of interest
2. RBW = 1MHz
3. VBW = 3MHz
4. Detector = peak
5. Sweep time = auto couple
6. Trace mode = max hold
7. Trace was allowed to stabilize

### Average Measurements above 1GHz (Method VB)

1. Analyzer center frequency was set to the frequency of the radiated spurious emission of interest
2. RBW = 1MHz
3. VBW; If the EUT is configured to transmit with duty cycle  $\geq 98\%$ , set VBW = 10 Hz.  
If the EUT duty cycle is  $< 98\%$ , set VBW  $\geq 1/T$ . T is the minimum transmission duration.
4. Detector = Peak
5. Sweep time = auto
6. Trace mode = max hold
7. Trace was allowed to stabilize

#### 4.10.4. Test Setup



#### 4.10.5. Test Result

Refer to Appendix A.10.

## 4.11. AC Conducted Emissions Measurement

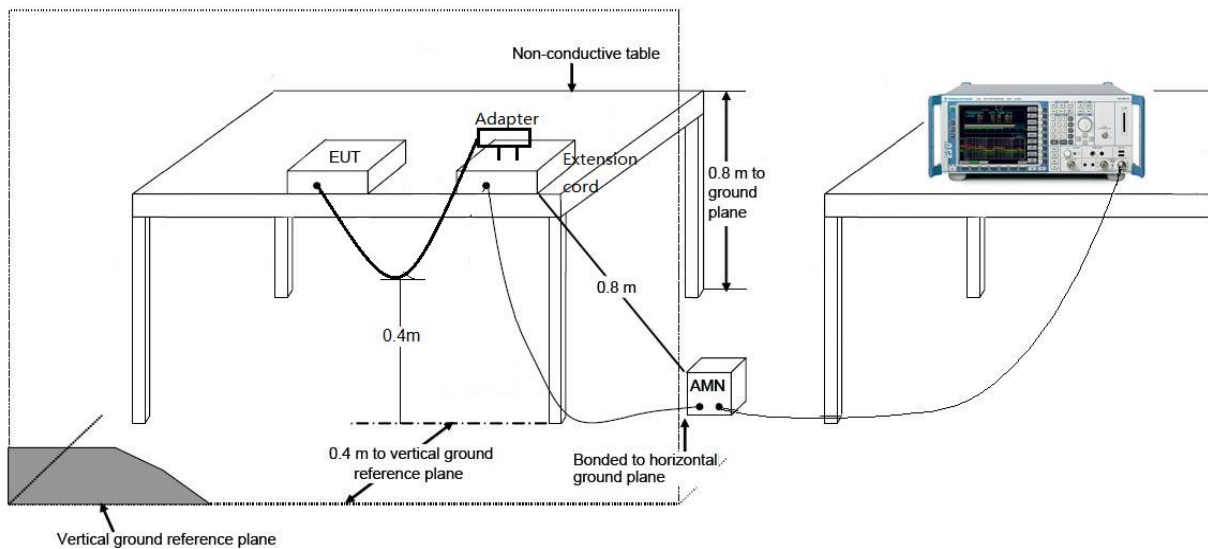
### 4.11.1. Test Limit

FCC Part 15 Subpart C Paragraph 15.207 Limits		
Frequency (MHz)	QP (dB $\mu$ V)	Average (dB $\mu$ V)
0.15 - 0.50	66 - 56	56 - 46
0.50 - 5.0	56	46
5.0 - 30	60	50

Note 1: The lower limit shall apply at the transition frequencies.

Note 2: The limit decreases linearly with the logarithm of the frequency in the range 0.15MHz to 0.5MHz.

### 4.11.2. Test Setup



### 4.11.3. Test Result

Refer to Appendix A.11.

## Appendix A - Test Result

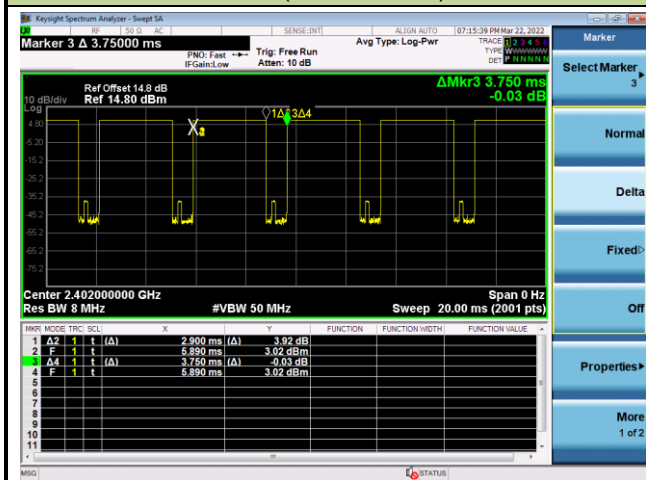
### A.1 Duty Cycle Test Result

Test Site	WZ-SR4	Test Engineer	Jake Lan
Test Date	2022/03/22		

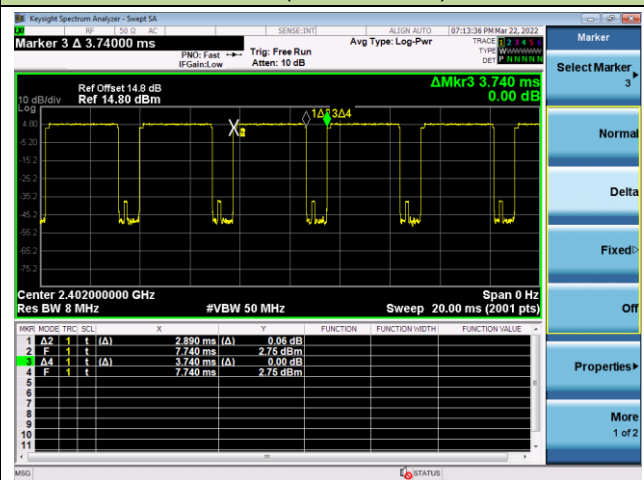
Test Mode	Duty Cycle
DH5	77.33%
2DH5	77.27%
3DH5	77.27%

#### Duty Cycle

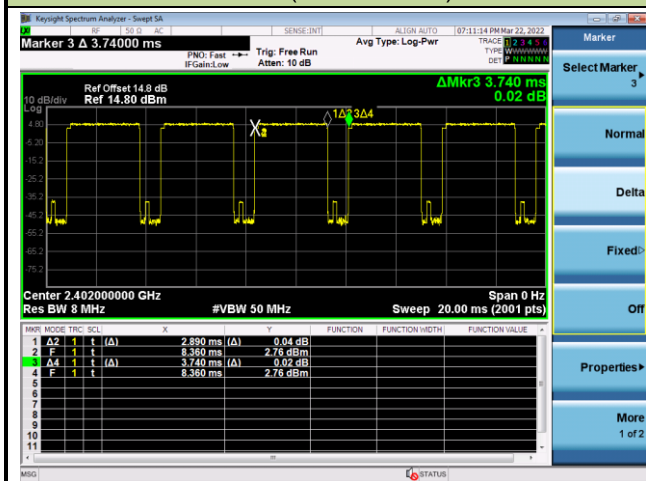
DH5 (T = 2.900ms)



2DH5 (T = 2.890ms)



3DH5 (T = 2.890ms)





**A.2 20dB Bandwidth Test Result**

Test Site	WZ-SR4	Test Engineer	Jake Lan
Test Date	2022/03/21		

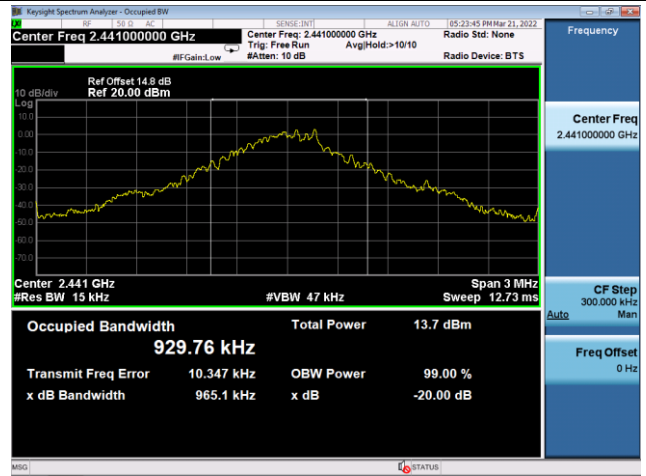
Test Mode	Channel No.	Frequency (MHz)	20dB Bandwidth (kHz)	Result
DH5	00	2402	932.55	Pass
DH5	39	2441	929.76	Pass
DH5	78	2480	946.62	Pass
2DH5	00	2402	1178.2	Pass
2DH5	39	2441	1182.6	Pass
2DH5	78	2480	1183.4	Pass
3DH5	00	2402	1190.2	Pass
3DH5	39	2441	1189.9	Pass
3DH5	78	2480	1190.0	Pass

## DH5 20dB Bandwidth

## Channel 00 (2402MHz)



## Channel 39 (2441MHz)

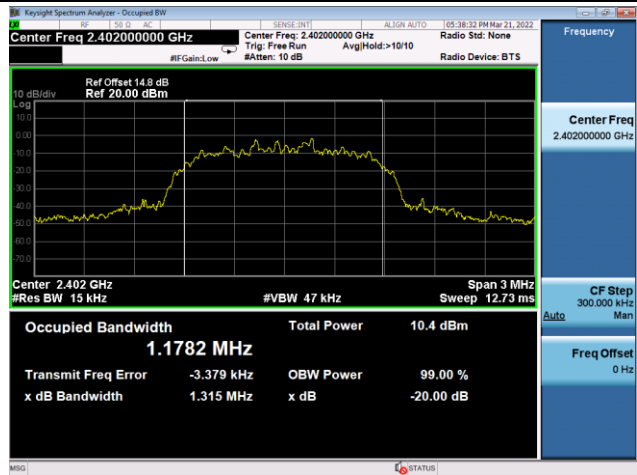


## Channel 78 (2480MHz)



2DH5 20dB Bandwidth

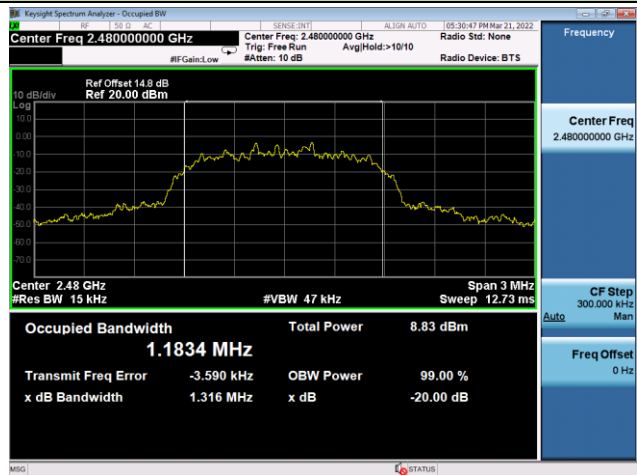
Channel 00 (2402MHz)



Channel 39 (2441MHz)

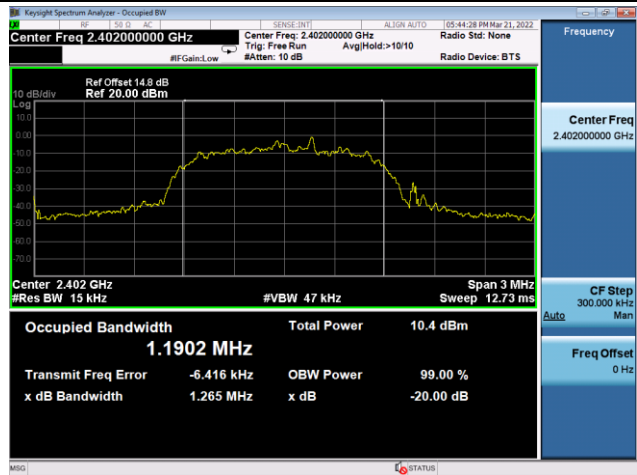


Channel 78 (2480MHz)

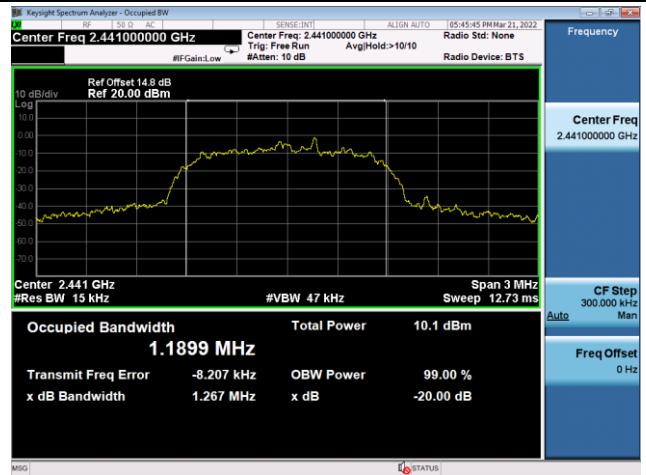


3DH5 20dB Bandwidth

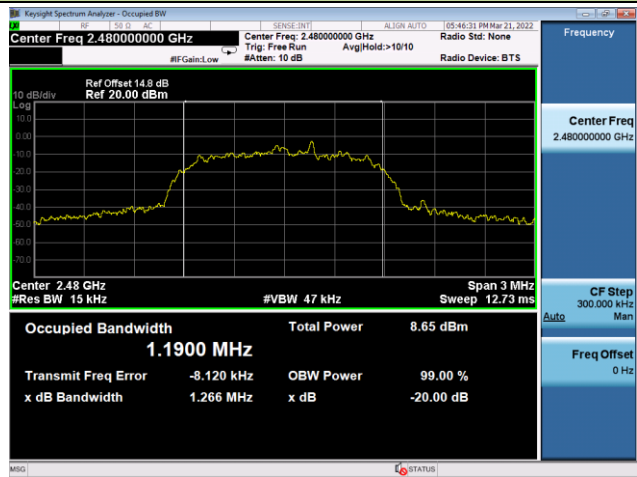
Channel 00 (2402MHz)



Channel 39 (2441MHz)



Channel 78 (2480MHz)



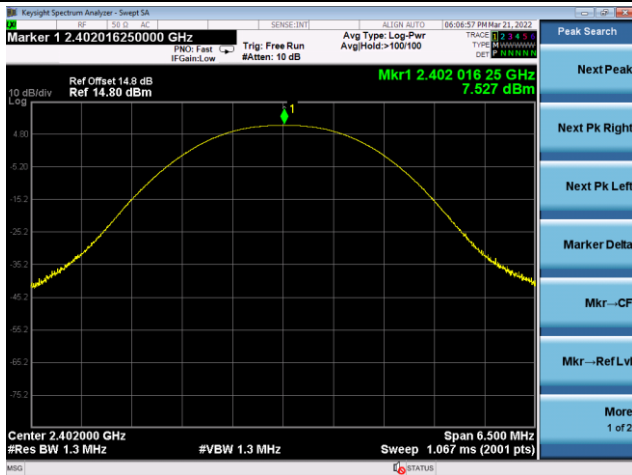
**A.3 Output Power Test Result**

Test Site	WZ-SR4	Test Engineer	Jake Lan
Test Date	2022/03/21		

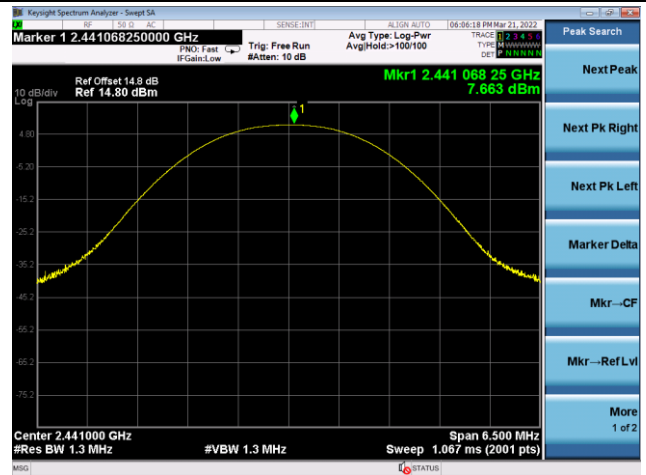
Test Mode	Channel No.	Frequency (MHz)	Output Power (dBm)	Power Limit (dBm)
DH5	00	2402	7.53	≤ 30
DH5	39	2441	7.66	≤ 30
DH5	78	2480	5.95	≤ 30
2DH5	00	2402	5.53	≤ 30
2DH5	39	2441	5.33	≤ 30
2DH5	78	2480	3.86	≤ 30
3DH5	00	2402	5.85	≤ 30
3DH5	39	2441	5.65	≤ 30
3DH5	78	2480	4.20	≤ 30

DH5 Output Power

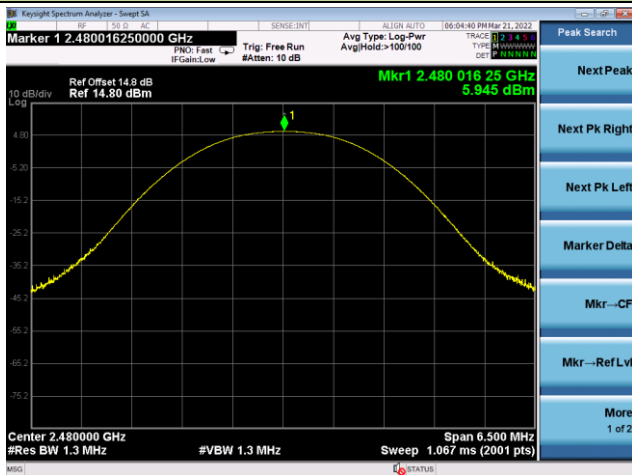
Channel 00 (2402MHz)



Channel 39 (2441MHz)

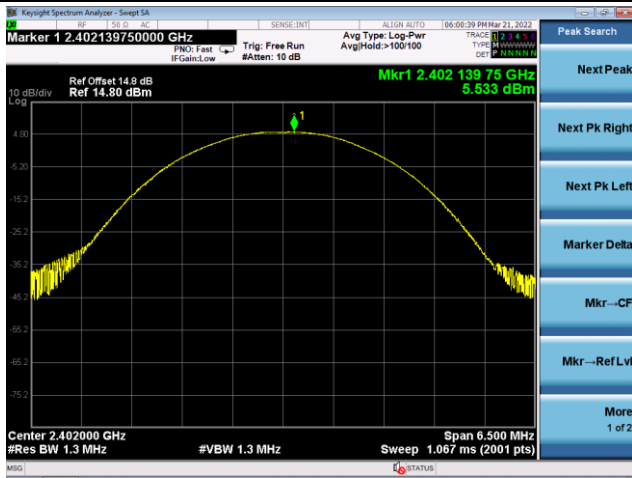


Channel 78 (2480MHz)

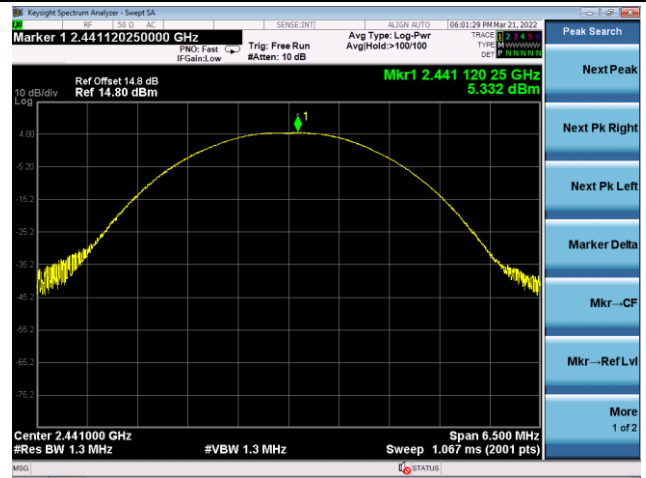


2DH5 Output Power

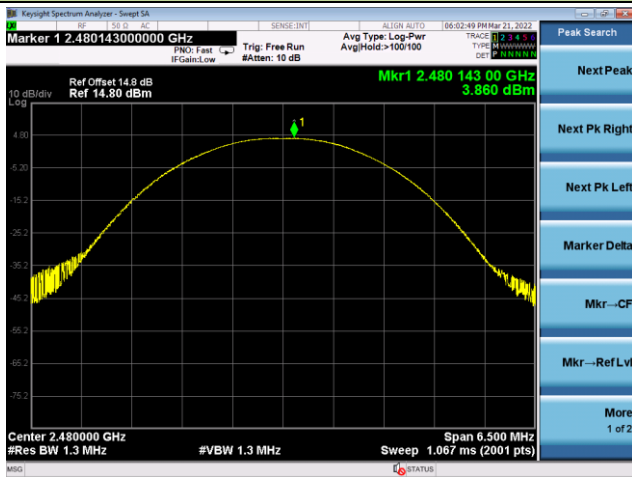
Channel 00 (2402MHz)



Channel 39 (2441MHz)

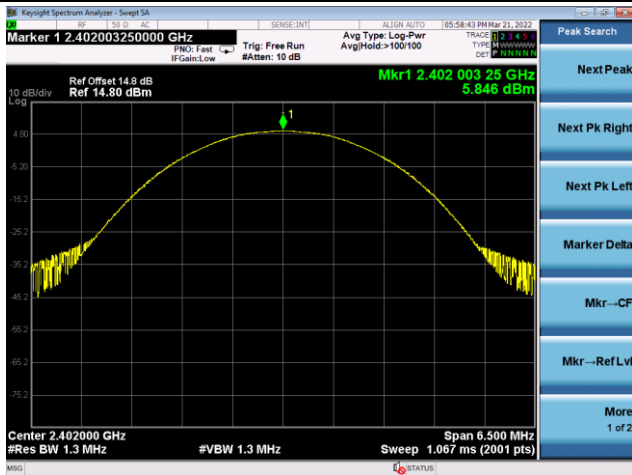


Channel 78 (2480MHz)

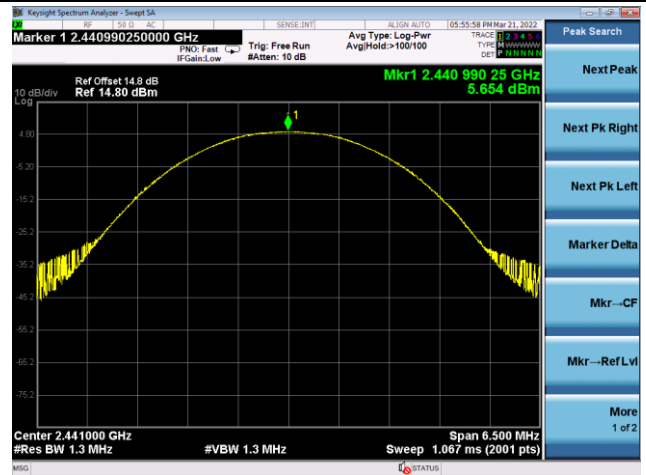


### 3DH5 Output Power

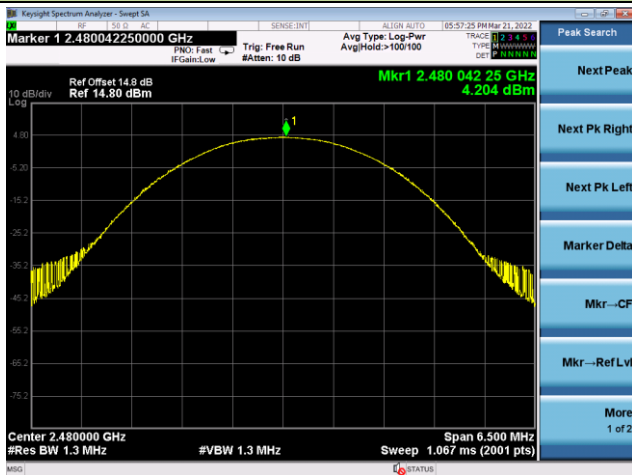
#### Channel 00 (2402MHz)



#### Channel 39 (2441MHz)



#### Channel 78 (2480MHz)



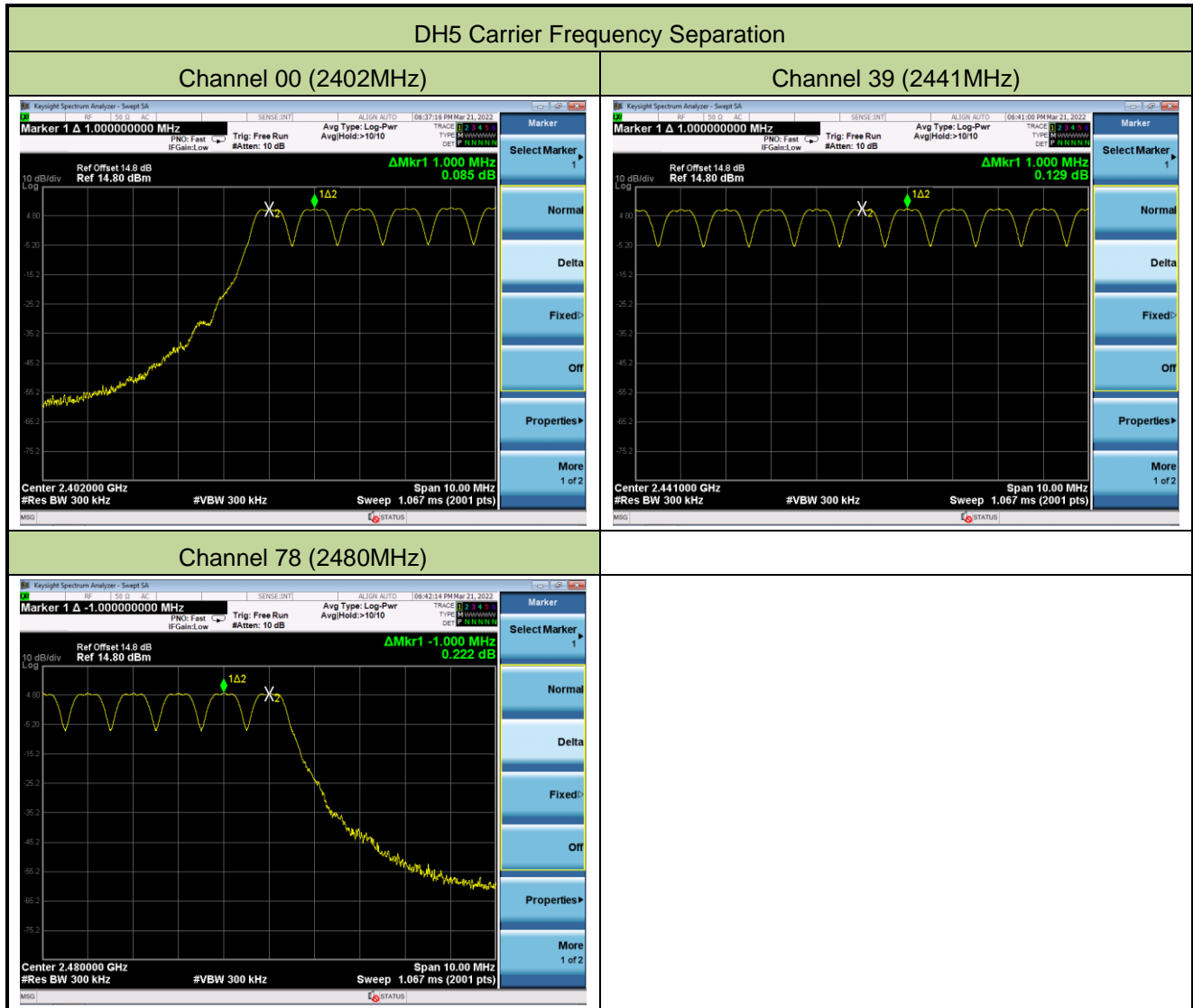


**A.4 Carrier Frequency Separation Test Result**

Test Site	WZ-SR4	Test Engineer	Jake Lan
Test Date	2022/03/21		

Test Mode	Channel No.	Frequency (MHz)	Limit (kHz)	Result
DH5	00	2402	≥ 621.70	Pass
DH5	39	2441	≥ 619.84	Pass
DH5	78	2480	≥ 631.08	Pass
2DH5	00	2402	≥ 785.47	Pass
2DH5	39	2441	≥ 788.40	Pass
2DH5	78	2480	≥ 788.93	Pass
3DH5	00	2402	≥ 793.47	Pass
3DH5	39	2441	≥ 793.27	Pass
3DH5	78	2480	≥ 793.33	Pass

Note: The Limit is 2/3 the value of the 20dB BW.

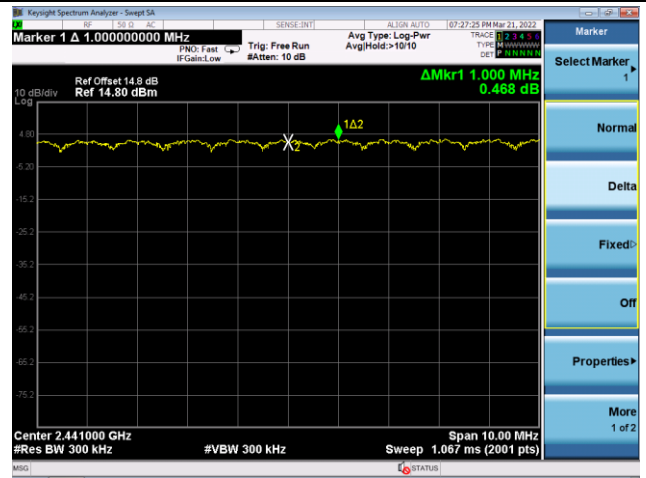


### 2DH5 Carrier Frequency Separation

Channel 00 (2402MHz)



Channel 39 (2441MHz)

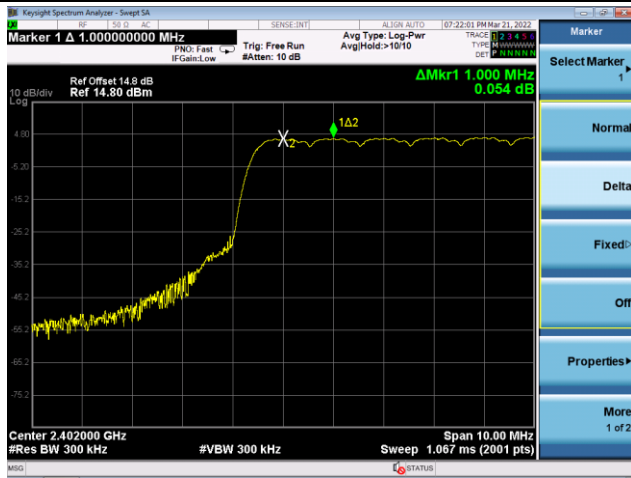


Channel 78 (2480MHz)

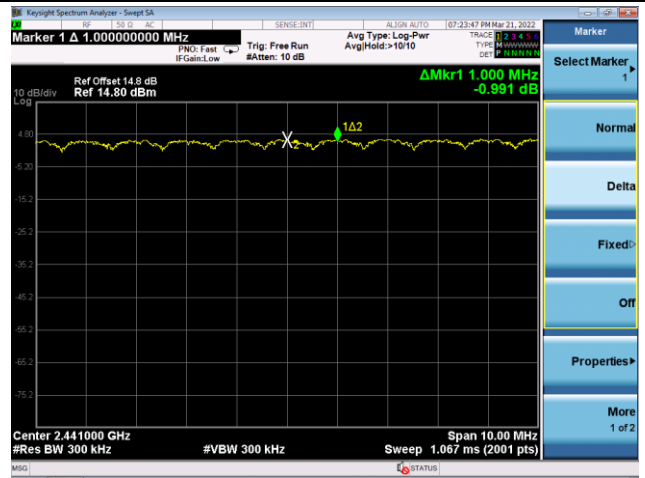


### 3DH5 Carrier Frequency Separation

Channel 00 (2402MHz)



Channel 39 (2441MHz)



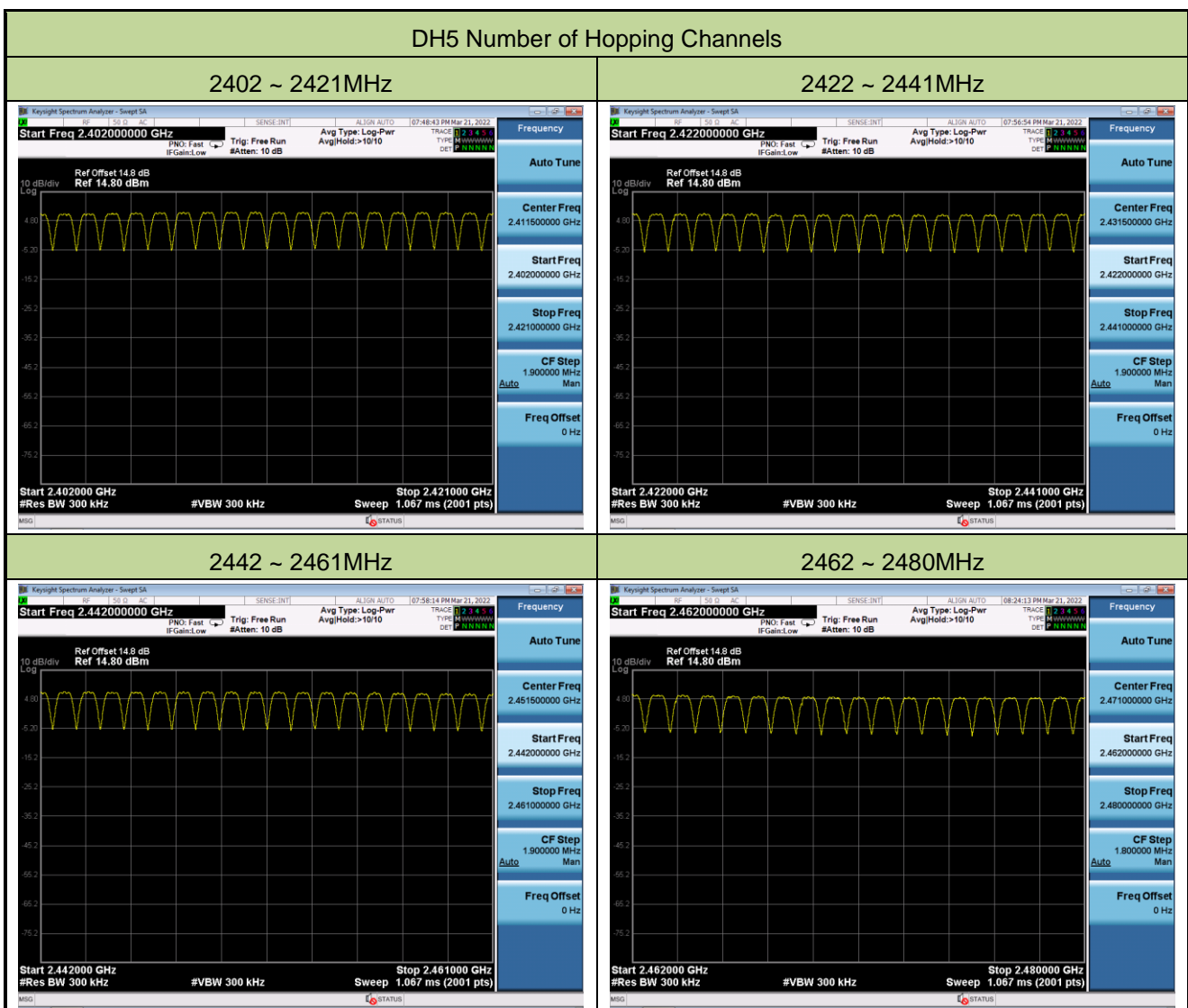
Channel 78 (2480MHz)



### A.5 Number of Hopping Channels Test Result

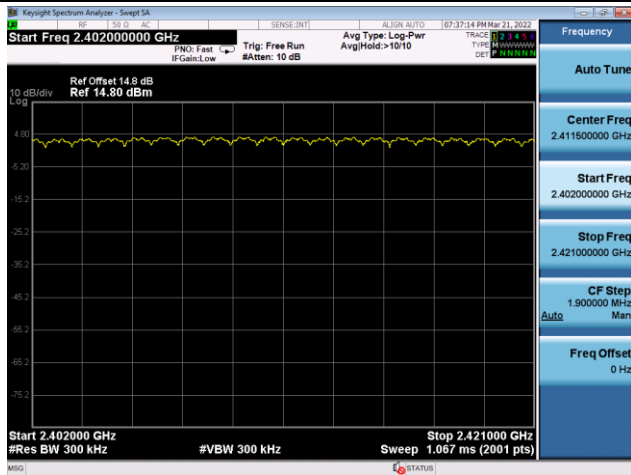
Test Site	WZ-SR4	Test Engineer	Jake Lan
Test Date	2022/03/21		

Test Mode (Hopping)	Channel Numbers	Frequency (MHz)	Limit (Hopping Channels)	Result
DH5	79	2402~2480	≥ 15	Pass
2DH5	79	2402~2480	≥ 15	Pass
3DH5	79	2402~2480	≥ 15	Pass

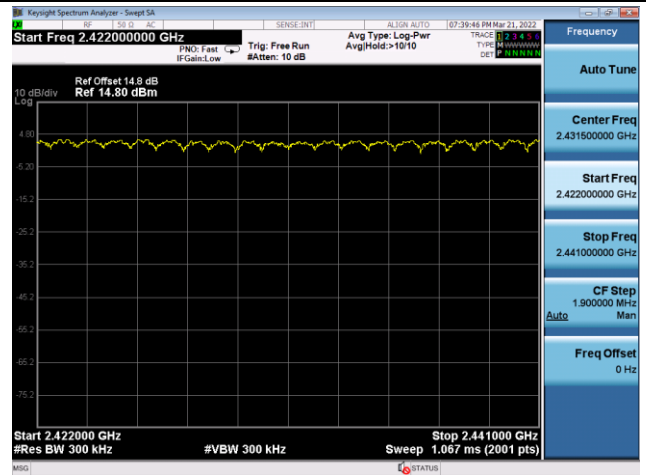


2DH5 Number of Hopping Channels

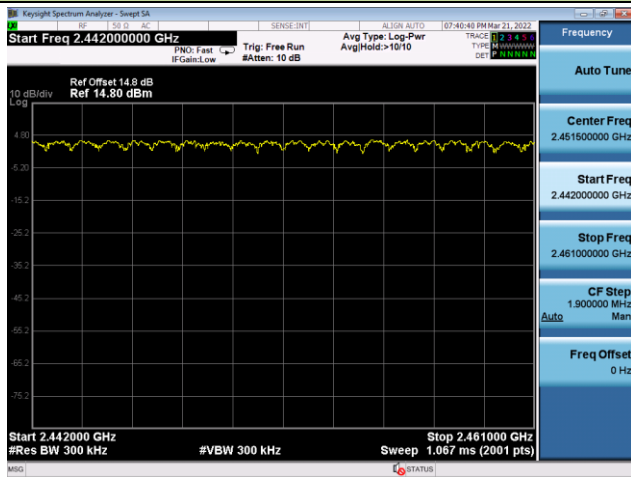
2402 ~ 2421MHz



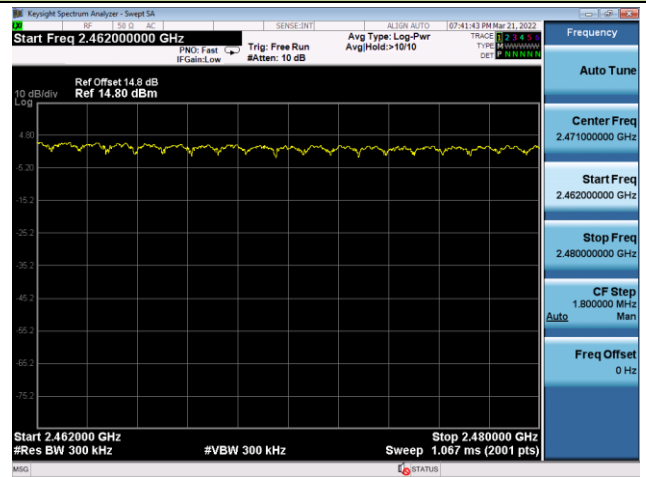
2422 ~ 2441MHz



2442 ~ 2461MHz

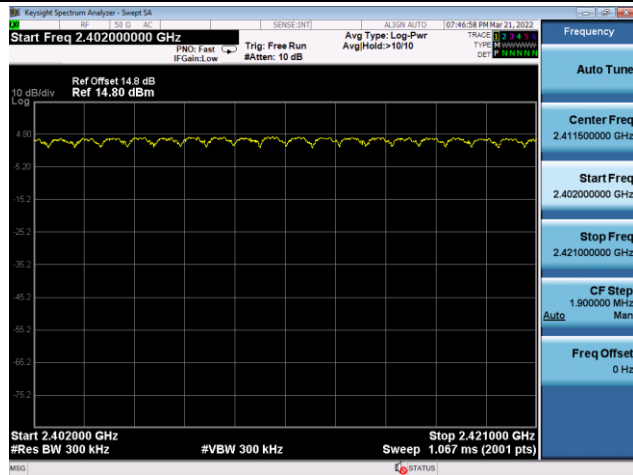


2462 ~ 2480MHz

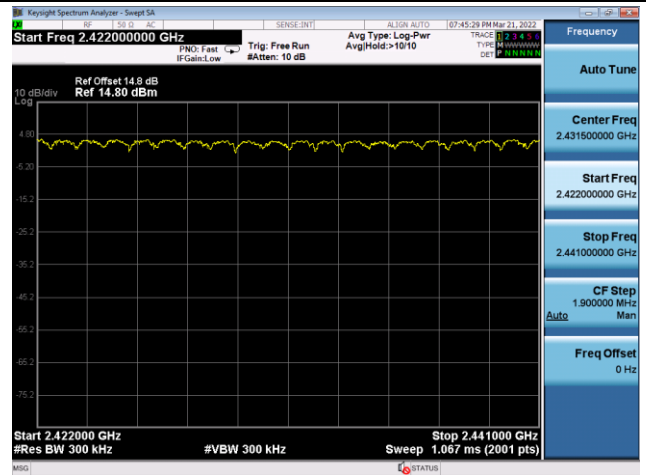


## 3DH5 Number of Hopping Channels

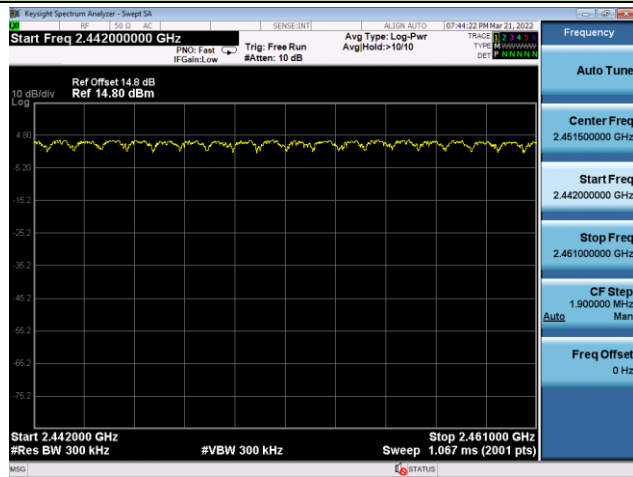
2402 ~ 2421MHz



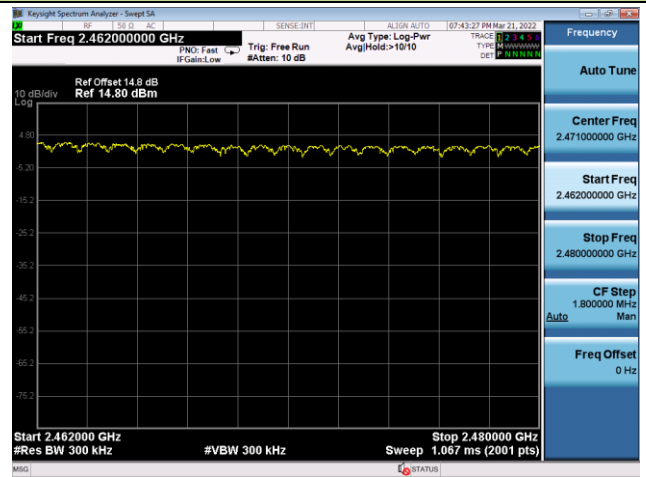
2422 ~ 2441MHz



2442 ~ 2461MHz



2462 ~ 2480MHz



**A.6 Time of Occupancy Test Result**

Test Site	WZ-SR4	Test Engineer	Jake Lan
Test Date	2022/03/21 ~ 2022/03/22		

Test Mode	Channel No.	Frequency (MHz)	Transmit Time Per Hop (ms)	Observation Period (s)	Number of Hops in Sweep Time	Number of Hops in Observation Period	Time of Occupancy (ms)	Limit (ms)	Result
3DH1	00~78	2402~2480	0.4019	31.6	59	311	124.99	≤ 400	Pass
3DH3	00~78	2402~2480	1.649	31.6	33	174	286.93	≤ 400	Pass
3DH5	00~78	2402~2480	2.896	31.6	19	100	289.60	≤ 400	Pass

Note:

1. Number of Hops in Observation Period = Number of Hops in Sweep Time \* (Observation Period / Sweep Time), Sweep Time = 6s.
2. Time of Occupancy (ms) = Number of Hops in Sweep Time (ms) \* Number of Hops in Observation Period