
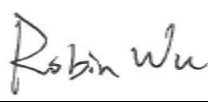


SPOT CHECK REPORT

FCC PART 27

FCC ID: XMR2020RM510QGL
Application: Quectel Wireless Solutions Company Limited
Application Type: Certification
Product: 5G Sub-6 GHz & mmWave M.2 Module
Model No.: RM510Q-GL
Brand Name: Quectel
FCC Rule Part(s): Part 27 Subpart D
Test Procedure(s): ANSI C63.26: 2015
Test Date: December 09, 2020 ~ January 04, 2021

Reviewed By: 
Sunny Sun
Approved By: 
Robin Wu



The test results relate only to the samples tested.

This equipment has been shown to be capable of compliance with the applicable technical standards as indicated in the measurement report and was tested in accordance with the measurement procedures specified in ANSI C63.26-2015. Test results reported herein relate only to the item(s) tested.

The test report shall not be reproduced except in full without the written approval of MRT Technology (Suzhou) Co., Ltd.

Revision History

Report No.	Version	Description	Issue Date	Note
2012RSU045-U5	Rev. 01	Initial Report	03-03-2021	Valid

Note: This application for certification is leveraging the data reuse procedures from KDB 484596 based on reference FCC ID: XMR2020RM502QAE to cover variant FCC ID: XMR2020RM510QGL.

CONTENTS

Description	Page
1. GENERAL INFORMATION	4
1.1. Applicant	4
1.2. Manufacturer	4
1.3. Testing Facility.....	4
2. PRODUCT INFORMATION	5
2.1. Equipment Description	5
2.2. Product Specification Subjective to this Report	6
2.3. Description of Available Antennas.....	6
2.4. Test Methodology	6
2.5. EMI Suppression Device(s)/Modifications.....	7
2.6. Configuration of Tested System	7
2.7. Test Environment Condition.....	7
3. TEST EQUIPMENT CALIBRATION DATE.....	8
4. MEASUREMENT UNCERTAINTY	9
5. TEST RESULT	10
5.1. Summary.....	10
5.2. Equivalent Isotropically Radiated Power Measurement	11
5.2.1. Test Limit	11
5.2.2. Test Procedures Used	11
5.2.3. Test Setting.....	11
5.2.4. Test Setup	12
5.2.5. Test Result.....	13
5.3. Conducted Spurious Emissions.....	14
5.3.1. Test Limit	14
5.3.2. Test Procedure Used	14
5.3.3. Test Setting.....	14
5.3.4. Test Setup	15
5.3.5. Test Result.....	16
6. CONCLUSION	17
Appendix A - Test Setup Photograph	18
Appendix B - EUT Photograph.....	19
Appendix C - Reference Test Report	20

1. GENERAL INFORMATION

1.1. Applicant

Quectel Wireless Solutions Company Limited
 Building 5, Shanghai Business Park Phase III (Area B), No.1016 Tianlin Road, Minhang District,
 Shanghai, China 200233

1.2. Manufacturer

Quectel Wireless Solutions Company Limited
 Building 5, Shanghai Business Park Phase III (Area B), No.1016 Tianlin Road, Minhang District,
 Shanghai, China 200233

1.3. Testing Facility

<input checked="" type="checkbox"/>	Test Site - MRT Suzhou Laboratory
	Laboratory Location (Suzhou - Wuzhong)
	D8 Building, No.2 Tian'edang Rd., Wuzhong Economic Development Zone, Suzhou, China
	Laboratory Location (Suzhou - SIP)
	4b Building, Liando U Valley, No.200 Xingpu Rd., Shengpu Town, Suzhou Industrial Park, China
	Laboratory Accreditations
	A2LA: 3628.01 CNAS: L10551
	FCC: CN1166 ISED: CN0001
	VCCI: R-20025, G-20034, C-20020, T-20020
<input type="checkbox"/>	Test Site - MRT Shenzhen Laboratory
	Laboratory Location (Shenzhen)
	1G, Building A, Junxiangda Building, Zhongshanyuan Road West, Nanshan District, Shenzhen, China
	Laboratory Accreditations
	A2LA: 3628.02 CNAS: L10551
	FCC: CN1284 ISED: CN0105
<input type="checkbox"/>	Test Site - MRT Taiwan Laboratory
	Laboratory Location (Taiwan)
	No. 38, Fuxing 2 nd Rd., Guishan Dist., Taoyuan City 333, Taiwan (R.O.C.)
	Laboratory Accreditations
	TAF: L3261-190725
	FCC: 291082, TW3261 ISED: TW3261

2. PRODUCT INFORMATION

2.1. Equipment Description

Product Name:	5G Sub-6 GHz & mmWave M.2 Module
Model No.:	RM510Q-GL
Brand Name:	Quectel
IMEI:	867034040010481, 867034040011117
Operating Temperature:	-20 ~ 60 °C
Power Type:	3.135 ~ 4.4Vdc, typical 3.7Vdc
UMTS Specification	
Single Band:	Band 2, 4, 5
Modulation:	Uplink up to 16QAM, Downlink up to 64QAM
E-UTRA Specification	
Single Band:	Band 2, 4, 5, 7, 12, 13, 14, 17, 25, 26, 30, 38, 41, 48, 66, 71
Intra-Band:	CA_2C, CA_5B, CA_7C, CA_38C, CA_41C, CA_66C
Modulation:	UL & DL up to 256QAM
5G NR FR1 Specification	
SA Band:	n2, n5, n7, n12, n25, n41, n66, n71, n77
SA UL MIMO Band:	n41
EN-DC Band:	DC_5A_n2A, DC_12A_n2, DC_13A_n2A, DC_2A_n5A DC_30A_n5A, DC_66A_n5A, DC_5A_n7A, DC_12A_n7A DC_2A_n12A, DC_12A_n25A, DC_2A_n41A, DC_25A_n41A DC_26A_n41A, DC_66A_n41A, DC_5A_n66A, DC_12A_n66A DC_13A_n66A, DC_14A_n66A, DC_71A_n66A, DC_2A_n71A DC_7A_n71A, DC_66A_n71A
HPUE Band:	n41, n77
SCS for NR cell:	FDD Band: 15kHz; TDD Band: 30kHz
Modulation:	UL & DL up to 256QAM
5G NR FR2 Specification	
Band:	n260, n261
SCS for NR cell:	120kHz

Note: The module without passive antenna.

2.2. Product Specification Subjective to this Report

FDD T _x Frequency Range:	Band 30: 2305 ~ 2315 MHz
FDD R _x Frequency Range:	Band 30: 2350 ~ 2360 MHz

Note 1: For other features of this EUT, test report will be issued separately.

Note 2: The declared of product specification for EUT presented in the report are provided by the manufacturer, and the manufacturer takes all the responsibilities for the accuracy of product specification.

2.3. Description of Available Antennas

Technology	Frequency Range (MHz)	Antenna Type	MaxPeak Gain (dBi)
LTE Band 2	1850 ~ 1910	Dipole	0.25
LTE Band 4	1710 ~ 1755		1.47
LTE Band 5	824 ~ 849		2.68
LTE Band 7	2500 ~ 2570		0.55
LTE Band 12	699 ~ 716		-0.20
LTE Band 13	777 ~ 787		1.54
LTE Band 14	788 ~ 798		2.42
LTE Band 17	704~ 716		-0.20
LTE Band 25	1850 ~ 1915		0.25
LTE Band 26	814~849		2.68
LTE Band 30	2305 ~ 2315		-3.06
LTE Band 38	2570 ~ 2620		0.78
LTE Band 41	2496 ~ 2690		0.78
LTE Band 48	3550 ~ 3700		-4.29
LTE Band 66	1710 ~ 1780		1.47
LTE Band 71	663 ~ 698		1.22

Note: All antenna information (Antenna type and Peak Gain) is provided by the manufacturer.

2.4. Test Methodology

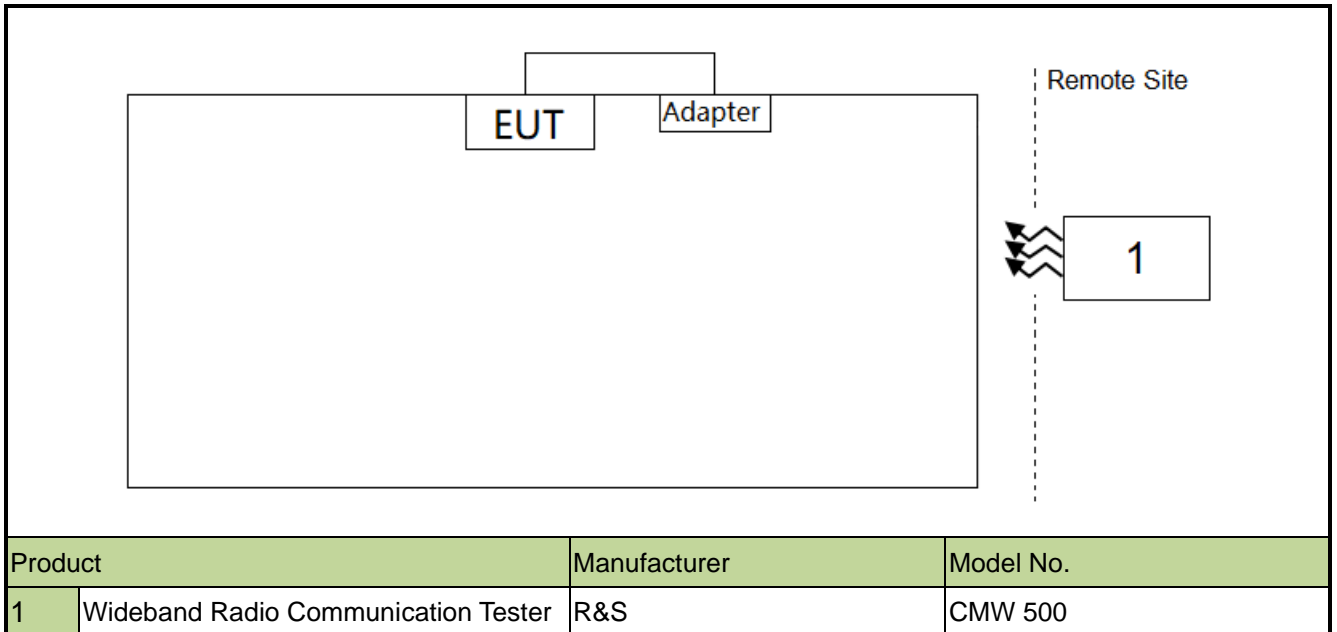
According to the specifications of the manufacturer, the EUT must comply with the requirements of the following standards:

- ANSI C63.26:2015
- FCC CFR 47 Part 27
- FCC KDB 971168 D01 v03r01: Power Meas License Digital Systems
- FCC KDB 971168 D02 v02r01: Misc Rev Approv License Devices
- FCC KDB 412172 D01 v01r01: Determining ERP and EIRP

2.5. EMI Suppression Device(s)/Modifications

No EMI suppression device(s) were added and/or no modifications were made during testing.

2.6. Configuration of Tested System



2.7. Test Environment Condition

Ambient Temperature	15 ~ 35°C
Relative Humidity	20% ~ 75%RH

3. TEST EQUIPMENT CALIBRATION DATE

Conducted Test Equipment (WZ-SR6, WZ-TR3)

Instrument	Manufacturer	Type No.	Asset No.	Cali. Interval	Cali. Due Date
EXA Signal Analyzer	Agilent	N9020A	MRTSUE06106	1 year	2021/04/15
EXA Signal Analyzer	Keysight	N9010B	MRTSUE06452	1 year	2021/07/11
Signal Analyzer	R&S	FSV40	MRTSUE06218	1 year	2021/04/15
Wideband Radio Communication Tester	R&S	CMW 500	MRTSUE06243	1 year	2021/11/07
Power Meter	Agilent	U2021XA	MRTSUE06030	1 year	2021/11/18
DC Power Supply	GWINSTEK	DPS-3303C	MRTSUE06064	N/A	N/A
True RMS Clamp Meter	Fluke	319	MRTSUE06080	1 year	2021/05/06
Directional Coupler	Agilent	87301D	MRTSUE06082	1 year	2021/03/25
Dual Directional Coupler	Agilent	7778D	MRTSUE06083	1 year	2021/03/25
Attenuator	MVE	6dB	MRTSUE06534	1 year	2021/12/12
Attenuator	MVE	10dB	MRTSUE06543	1 year	2021/12/12
Temperature & Humidity Chamber	BAOYT	BYH-150CL	MRTSUE06051	1 year	2021/11/07
Thermohygrometer	testo	608-H1	MRTSUE06401	1 year	2021/08/08

4. MEASUREMENT UNCERTAINTY

Where relevant, the following test uncertainty levels have been estimated for tests performed on the EUT as specified in CISPR 16-4-2. This uncertainty represents an expanded uncertainty expressed at approximately the 95% confidence level using a coverage factor of $k = 2$.

Conducted Spurious Emissions
Measuring Uncertainty for a Level of Confidence of 95% ($U=2Uc(y)$): 0.78dB
Conducted Output Power
Measuring Uncertainty for a Level of Confidence of 95% ($U=2Uc(y)$): 1.13dB

5. TEST RESULT

5.1. Summary

FCC Part Section(s)	Test Description	Test Limit	Test Condition	Test Result	Reference
27.50(a)(3)	Equivalent Isotropic Radiated Power Density	< 250mW/5MHz	Conducted	Pass	Section5.2
2.1051, 27.53(a)(4)	Spurious Emission	<70 + 10log10 (P _[Watts])		Pass	Section5.3

Notes:

- 1) The analyzer plots shown in this section were all taken with a correction table loaded into the analyzer. The correction table was used to account for the losses of the cables and attenuators used as part of the system to connect the EUT to the analyzer at all frequencies of interest.
- 2) The difference compared with the original report is only different DL CA bands. Output power and conducted spurious emissions verification worst test refer to original MRT Repor No. "2010RSU005-U5".

5.2. Equivalent Isotropically Radiated Power Measurement

5.2.1. Test Limit

For mobile and portable stations transmitting in the 2305-2315 MHz band or the 2350-2360 MHz band, the average EIRP must not exceed 50 milliwatts within any 1 megahertz of authorized bandwidth, except that for mobile and portable stations compliant with 3GPP LTE standards or another advanced mobile broadband protocol that avoids concentrating energy at the edge of the operating band the average EIRP must not exceed 250 milliwatts within any 5 megahertz of authorized bandwidth but may exceed 50 milliwatts within any 1 megahertz of authorized bandwidth

5.2.2. Test Procedures Used

ANSI C63.26-2015 - Section 5.2.4.4.2 & 5.2.5.5

5.2.3. Test Setting

When the fundamental condition for average power measurements cannot be realized (i.e., the EUT can not be configured to transmit at full-power on a continuous basis (i.e., duty cycle < 98%) and the instrumentation cannot be configured to measure only during active full-power transmissions), then the following procedure can be used if the EUT duty cycle is constant (i.e., duty cycle variations are less than or equal to $\pm 2\%$).

- a) Set span to $2 \times$ to $3 \times$ the OBW.
- b) Set RBW = 1% to 5% of the OBW.
- c) Set VBW $\geq 3 \times$ RBW.
- d) Set number of measurement points in sweep $\geq 2 \times$ span / RBW.
- e) Sweep time:
 - 1) Set = auto-couple, or
 - 2) Set $\geq [10 \times (\text{number of points in sweep}) \times (\text{transmission symbol period})]$ for single sweep (automation-compatible) measurement.
- f) Detector = power averaging (rms).
- g) Set sweep trigger to "free run."
- h) Trace average at least 100 traces in power averaging (rms) mode if sweep is set to auto-couple.

To accurately determine the average power over the on and off time of the transmitter, it can be necessary to increase the number of traces to be averaged above 100, or if using a manually configured sweep time, increase the sweep time.

i) Using the marker function to identify the maximum PSD.

j) Add $10 \log (1/\text{duty cycle})$ to the measured power level to compute the average power during continuous transmission. For example, add $[10 \log (1/0.25)] = 6 \text{ dB}$ if the duty cycle is a constant 25%.

The relevant equation for determining the maximum ERP or EIRP from the measured RF output power is given in Equation (1) as follows:

$$\text{ERP or EIRP} = P_{\text{Meas}} + G_{\text{T}} \quad (1)$$

where

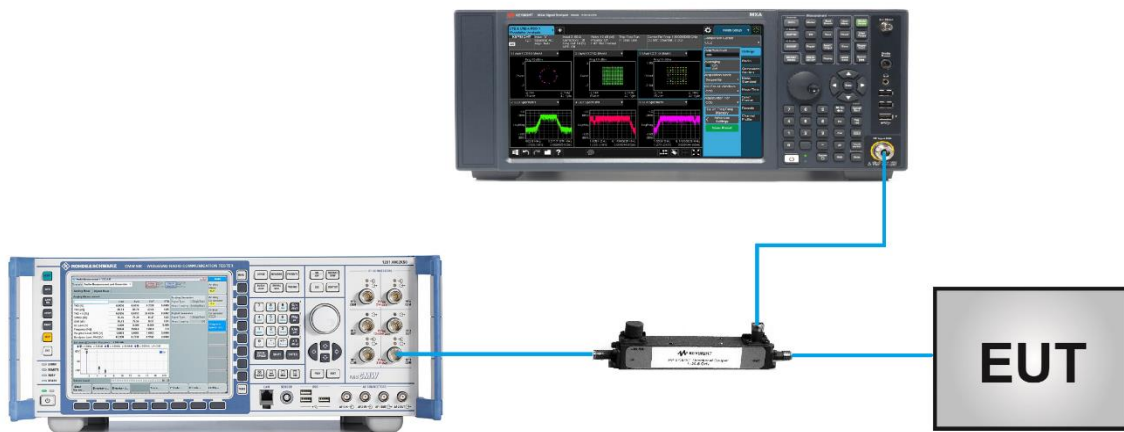
ERP or EIRP effective radiated power or equivalent isotropically radiated power, respectively (expressed in the same units as P_{Meas} , e.g., dBm or dBW)

P_{Meas} measured transmitter output power or PSD, in dBm or dBW

G_{T} gain of the transmitting antenna, in dBd (ERP) or dBi (EIRP)

For devices utilizing multiple antennas, see 6.4 for guidance with respect to determining the effective array transmit antenna gain term to be used in the above equation.

5.2.4. Test Setup



5.2.5. Test Result

Product	5G Sub-6 GHz & mmWave M.2 Module	Test Site	WZ-SR6
Test Engineer	Larry Yan	Test Date	2021/01/04 ~ 2021/01/06

Channel No.	Frequency (MHz)	Channel Bandwidth (MHz)	RB Size	RB Offset	Power Density (dBm/5MHz)	EIRP Density (dBm/5MHz)	Limit (dBm /5MHz)
QPSK							
27685	2307.5	5	1	0	22.45	19.39	< 23.98
27710	2310.0				22.39	19.33	< 23.98
27735	2312.5				22.37	19.31	< 23.98
27685	2307.5	5	1	12	22.59	19.53	< 23.98
27710	2310.0				22.59	19.53	< 23.98
27735	2312.5				22.46	19.40	< 23.98
27685	2307.5	5	1	24	22.62	19.56	< 23.98
27710	2310.0				22.56	19.50	< 23.98
27735	2312.5				22.50	19.44	< 23.98
27685	2307.5	5	25	0	21.58	18.52	< 23.98
27710	2310.0				21.54	18.48	< 23.98
27735	2312.5				21.61	18.55	< 23.98
27710	2310.0	10	1	0	22.63	19.57	< 23.98
			1	24	22.58	19.52	< 23.98
			1	49	22.72	19.66	< 23.98
			50	0	21.57	18.51	< 23.98

Note: The EIRP Density (dBm/5MHz) = Power Density (dBm/5MHz) + Antenna Gain (dBi)

5.3. Conducted Spurious Emissions

5.3.1. Test Limit

The level of the carrier and the various conducted spurious and harmonic frequencies is measured by means of a calibrated spectrum analyzer. The spectrum is scanned from the lowest frequency generated in the equipment up to a frequency including its 10th harmonic. All out of band emissions are measured with a spectrum analyzer connected to the antenna terminal of the EUT while the EUT is operating at its maximum duty cycle, at maximum power, and at the appropriate frequencies. All data rates were investigated to determine the worst-case configuration. All modes of operation were investigated and the worst-case configuration results are reported in this section.

The power of any emission outside of the authorized operating frequency ranges must be lower than the transmitter power (P) by a factor of at least $70 + 10 \log (P)$ dB.

5.3.2. Test Procedure Used

ANSI C63.26-2015 - Section 5.7

5.3.3. Test Setting

1. Set the analyzer frequency to low, mid, high channel.
2. RBW = 1MHz
3. VBW $\geq 3 \cdot$ RBW
4. Sweep time = auto
5. Detector = power averaging (rms)
6. Set sweep trigger to "free run."
7. User gate triggered such that the analyzer only sweeps when the device is transmitting at full power.
8. Trace average at least 100 traces in power averaging (rms) mode if sweep is set to auto-couple.

To accurately determine the average power over the on and off time of the transmitter, it can be necessary to increase the number of traces to be averaged above 100, or if using a manually configured sweep time, increase the sweep time.

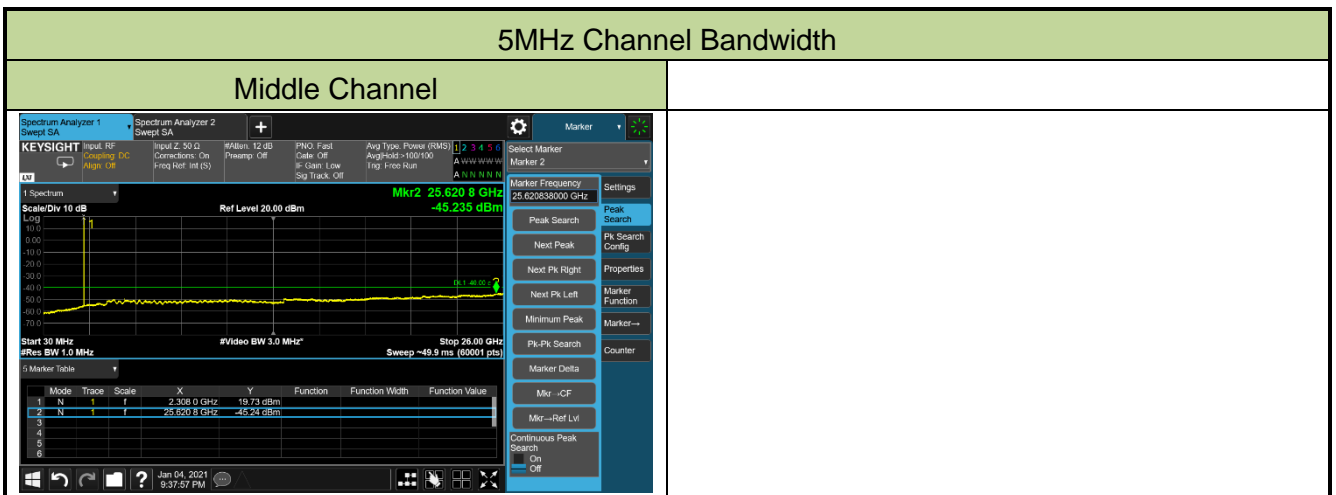
5.3.4. Test Setup



5.3.5. Test Result

Product	5G Sub-6 GHz & mmWave M.2 Module	Test Site	WZ-SR6
Test Engineer	Edgar Ma	Test Date	2021/01/06

Channel	Frequency (MHz)	Channel Bandwidth (MHz)	Frequency Range (MHz)	Max Spurious Emissions (dBm)	Limit (dBm)	Result
QPSK						
27710	2310.0	5	30 ~ 25000	-49.95	≤ -40.00	Pass



6. CONCLUSION

The data collected relate only the item(s) tested and show that unit is compliance with FCC Rules.

Appendix A - Test Setup Photograph

Refer to "2012RSU045-UT" file.

Appendix B - EUT Photograph

Refer to "2012RSU045-UE" file.

Appendix C - Reference Test Report